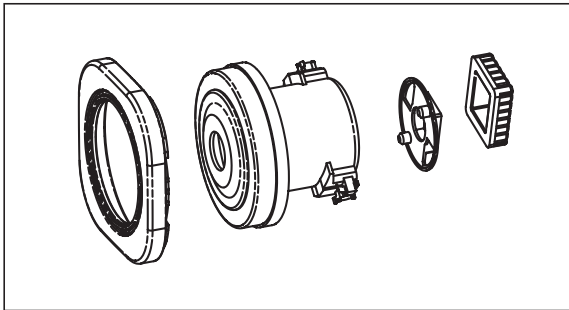
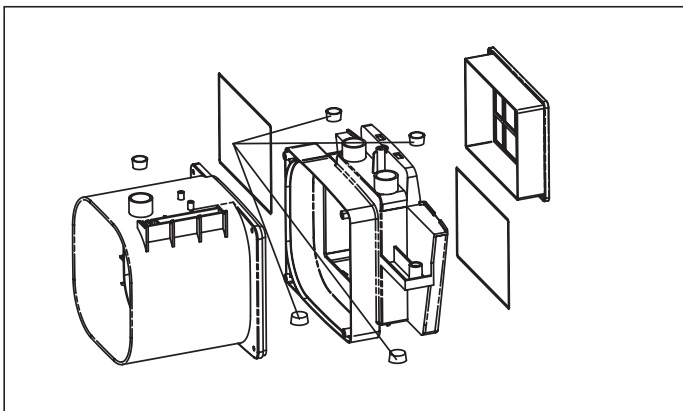
**DESCRIPTION****PLAN**

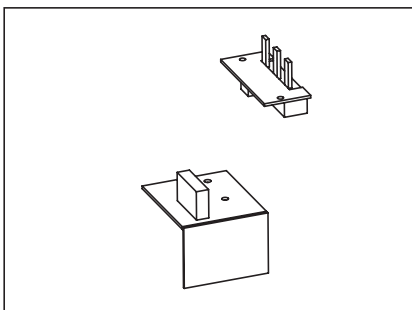
Motor, switches and cable reel	A - 8.3.3 - 2
Main filters, dust bag	A - 8.3.3 - 4
Wheel, disassembly tool and sales box for machine	A - 8.3.3 - 6
Container upper parts	A - 8.3.3 - 8
Container bottom parts	A - 8.3.3 - 14
Tubes, parking clip, and hoses	A - 8.3.3 - 16
Nozzles	A - 8.3.3 - 18



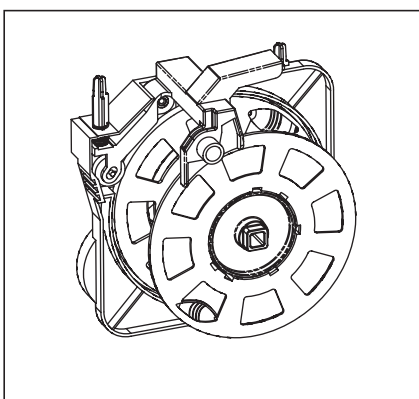
1



2



3



4

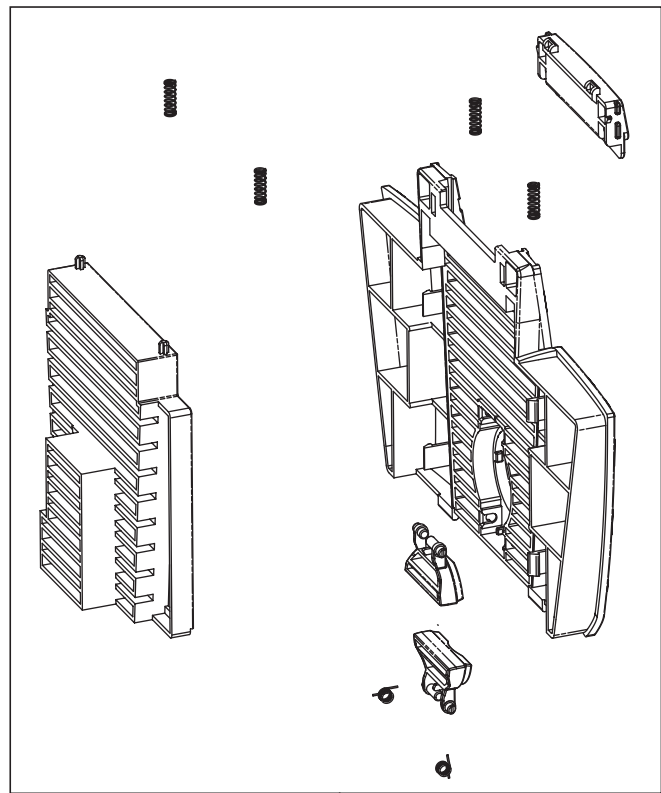
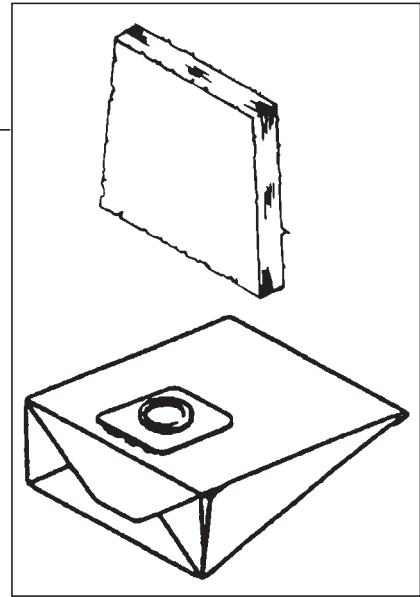
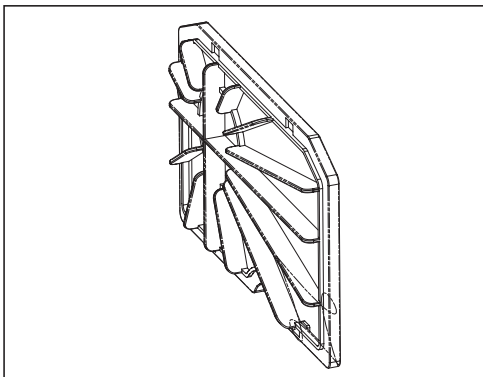
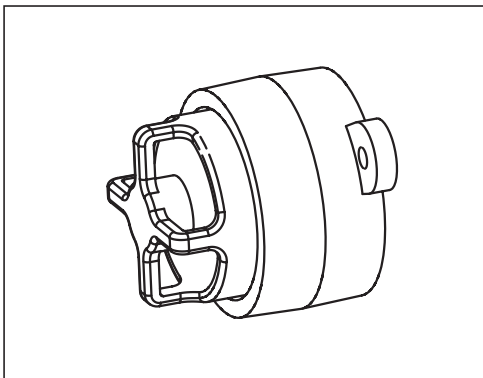
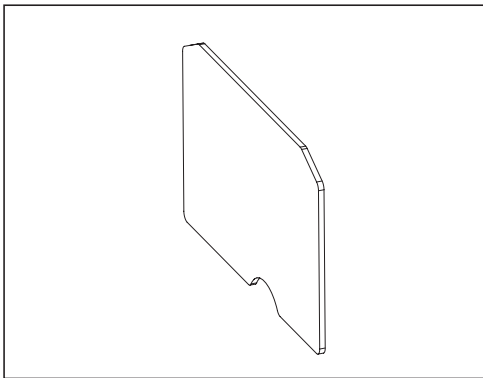
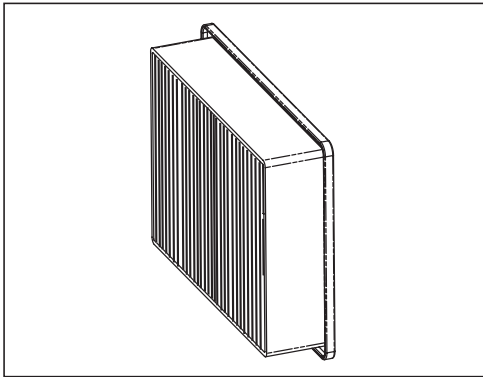
<b>Cable reel, ref. no. 822159xx</b>			
	Voltage	Plug type	
Index 01, Europa	250		
Index 02, UK	250		
Index 05, AUS/NZ	250		
Index 04, CH	-		

	<b>MOTOR SERVICE KIT</b>	<b>BOOK A</b>		
<b>05-04</b>	<b>MOTOR AND CORD TYPES</b>	<b>A</b>	<b>8.3.3</b>	<b>3</b>

Item	Part.No.	Qty	Desc. 1	Desc. 2	EAN CODE No.
					<b>5715492 +</b>
1	82216002	1	MOTOR 220-240V ACTION	50-60HZ RATED POWER 1600W	+033027
2	82216100	1	MOTOR HOUSING CPL. ACTION		+033034
3	82216200	1	PCB COMPLETE ACTION		+033041
4	82215901	1	CABLE RE-WINDER ACTION EU	L:7M	+032976
4	82215902	1	CABLE RE-WINDER ACTION UK	L:7M	+032983
4	82215904	1	CABLE RE-WINDER ACTION CH	L:7M	+032990
4	82215905	1	CABLE RE-WINDER ACTION AUS	L:7M	+033003

**Note**

>> means: New or changed ref. no.

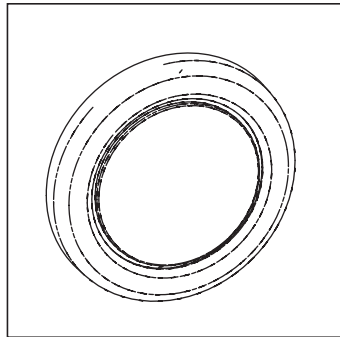


	<b>FILTER SERVICE KIT</b>	<b>BOOK A</b>		
<b>05-04</b>	<b>FILTER, DUST BAG</b>	<b>A</b>	<b>8.3.3</b>	<b>5</b>

Item	Part.No.	Qty	Desc. 1	Desc. 2	EAN CODE No.
					<b>5715492+</b>
1	82215100	1	HEPA FILTER H10 - ACTION		+032891
2	82215200	1	DUST BAG PAPER	INCL. MOTOR FILTER	+032907
3	82215300	1	MOTOR PROTEC.FILTER 3PCS.	ACTION	+032914
4	82215500	1	VACUUM VALVE ACTION		+032938
5	82215600	1	PRE-FILTER FRAME ACTION		+032945
6	82215701	1	EXHAUST FILT.FRAME ACTION	COMPLETE -SILVER METALLIC	+032952

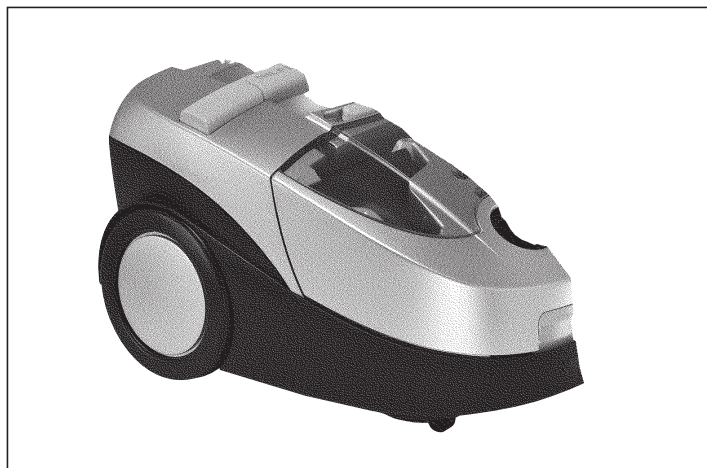
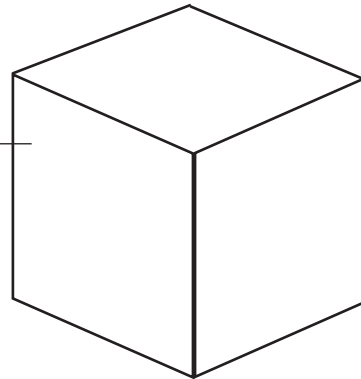
**Note**

>> means: New or changed ref. no.



1

2



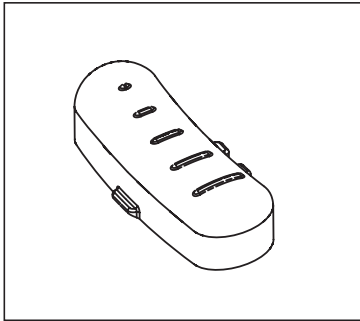
3

	<b>SERVICE KIT</b>	<b>BOOK A</b>		
<b>05-04</b>	<b>WHEEL, DISASSEMBLY TOOL &amp; SALES BOX</b>	<b>A</b>	<b>8.3.3</b>	<b>7</b>

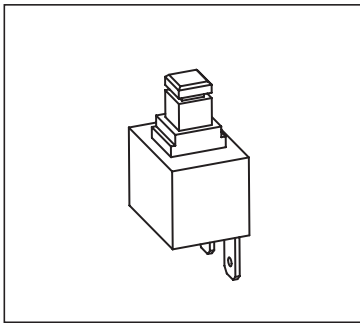
Item	Part.No.	Qty	Desc. 1	Desc. 2	EAN CODE No.
					<b>5715492 +</b>
1	82215400	1	BACK WHEELS ACTION	D:160MM	+032921
2	82218200	1	SALES CARDBOARD BOX	ACTION A 100/200	+033553
2	82218300	1	SALES CARDBOARD BOX	ACTION A 300	+033577
2	82218400	1	SALES CARDBOARD BOX	ACTION A 400	+033584
3	12403800	1	CUT THROUGH MODEL FOR SALES DISPLAY		+033591

**Note**

>> means: New or changed ref. no.



1



2

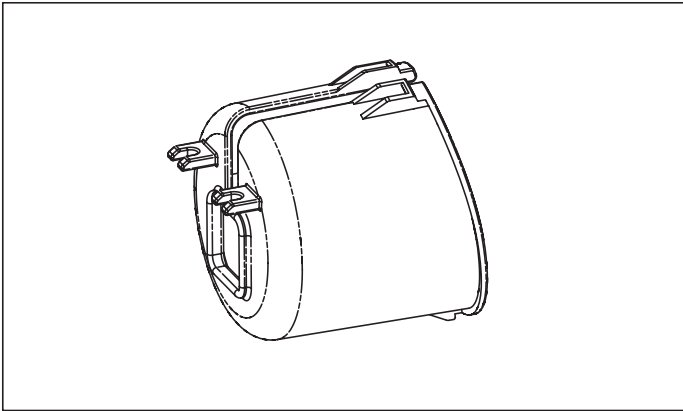


	<b>CONTAINER SERVICE KIT AND SPARE PARTS</b>	<b>BOOK A</b>		
<b>05-04</b>	<b>UPPER PARTS</b>	<b>A</b>	<b>8.3.3</b>	<b>9</b>

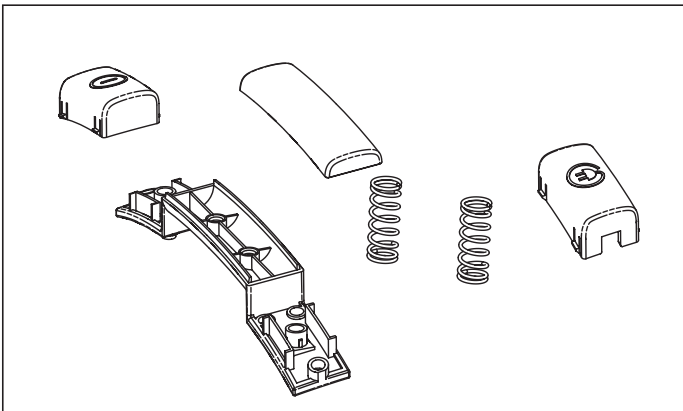
Item	Part.No.	Qty	Desc. 1	Desc. 2	EAN CODE No.
					<b>5715492 +</b>
1	82216704	1	BUTTON SPEED GREEN ACTION		+033164
1	82216804	1	BUTTON SPEED BLUE ACTION		+033201
1	82218500	1	BUTTON SPEED RED ACTION		+033614
2	82216600	1	ON/OFF SWITCH ACTION		+033126

**Note**

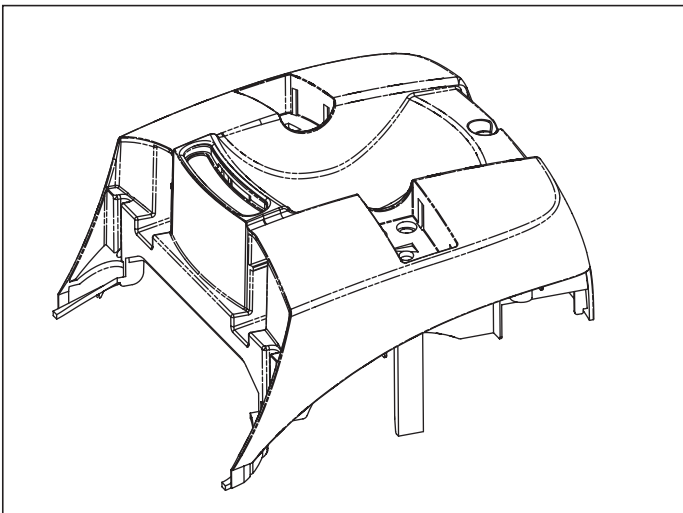
>> means: New or changed ref. no.



1



2



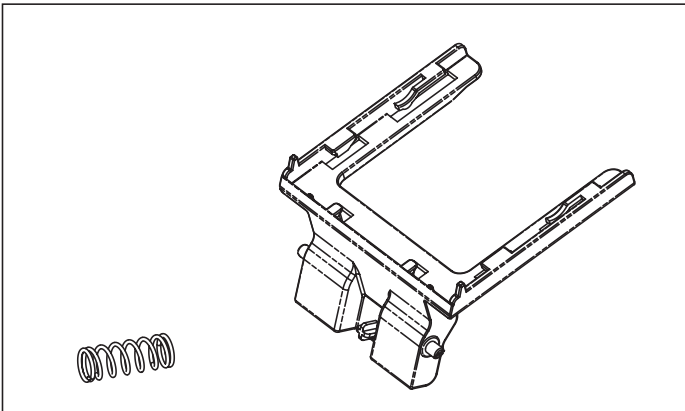
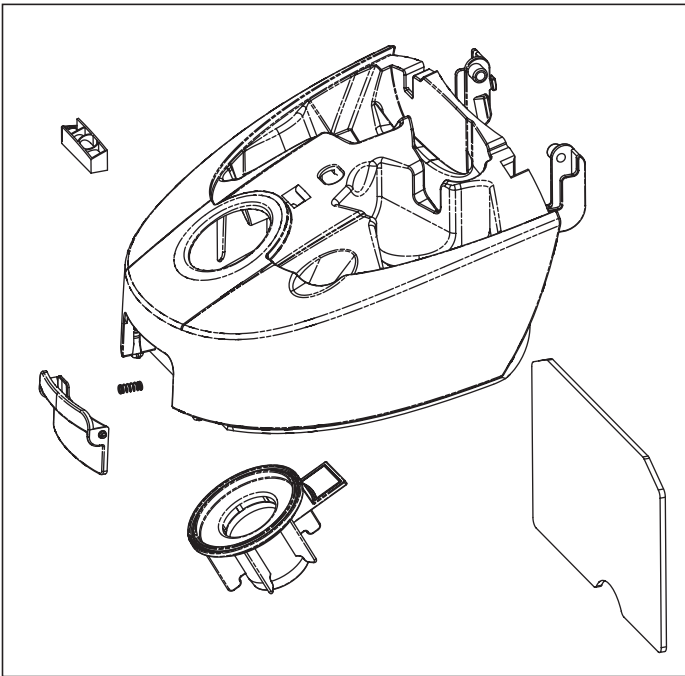
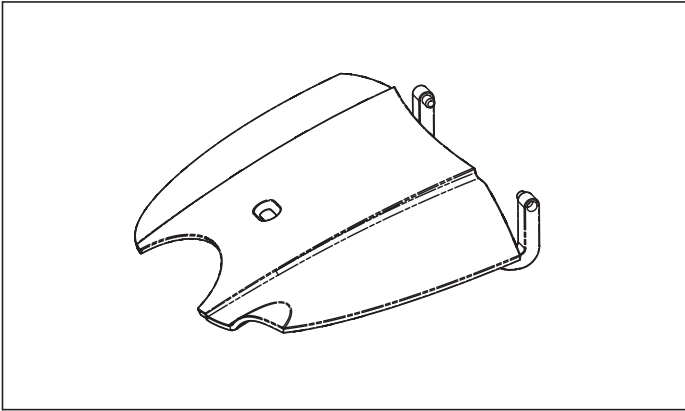
3

	<b>CONTAINER SPARE PARTS</b>	<b>BOOK A</b>		
<b>05-04</b>	<b>UPPER PARTS</b>	<b>A</b>	<b>8.3.3</b>	<b>11</b>

Item	Part.No.	Qty	Desc. 1	Desc. 2	EAN CODE No.
					<b>5715492 +</b>
1	82215702	1	CABLE OUTLET BLUE ACTION		+032969
1	82216300	1	CABLE OUTLET GREEN ACTION		+033058
1	82216504	1	CABLE OUTLET BLACK ACTION		+033119
2	82216501	1	HANDLE CPL. GREEN ACTION		+033089
2	82216502	1	HANDLE CPL. BLUE ACTION		+033096
2	82216503	1	HANDLE CPL. BLACK ACTION		+033102
3	82216401	1	UPPER PART CPL. ACTION	SILVER	+033065

**Note**

>> means: New or changed ref. no.

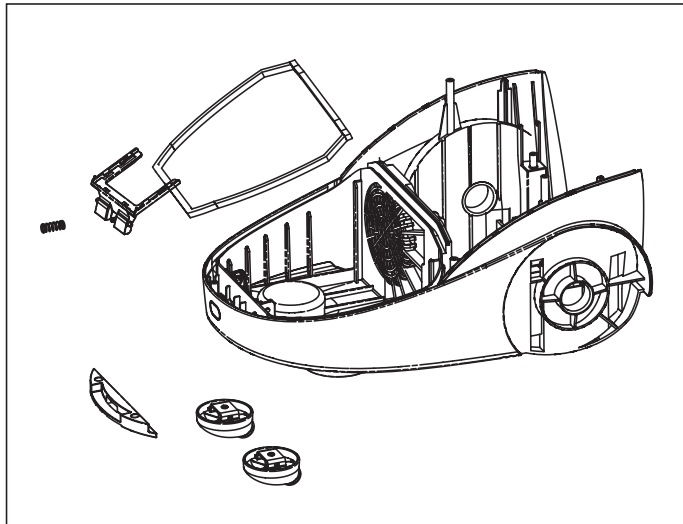


	<b>CONTAINER SPARE PARTS</b>	<b>BOOK A</b>		
<b>05-04</b>	<b>UPPER PARTS</b>	<b>A</b>	<b>8.3.3</b>	<b>13</b>

Item	Part.No.	Qty	Desc. 1	Desc. 2	EAN CODE No.
					<b>5715492 +</b>
1	82216701	1	ACC. COVER GREEN ACTION		+033133
1	82216702	1	ACC. COVER BLUE ACTION		+033140
1	82216703	1	ACC. COVER RED ACTION		+033157
2	82216801	1	DUST COV CPL.GREEN ACTION		+033171
2	82216802	1	DUST COV CPL. BLUE ACTION		+033188
2	82216803	1	DUST COV CPL RED ACTION		+033195
3	82216900	1	DUSTBAG HOLDER CPL ACTION		+033218

**Note**

>> means: New or changed ref. no.



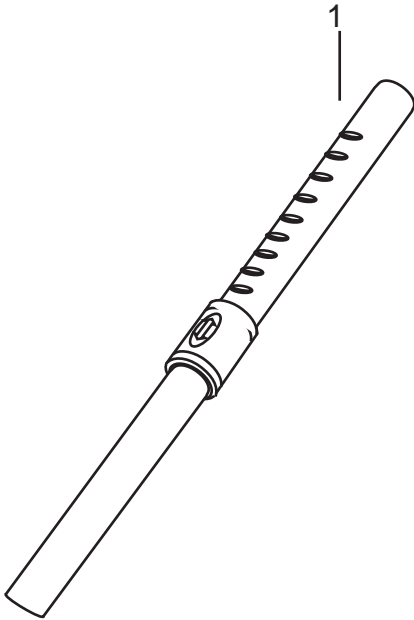
1

	<b>CONTAINER SPARE PARTS</b>	<b>BOOK A</b>		
<b>05-04</b>	<b>LOWER PARTS</b>	<b>A</b>	<b>8.3.3</b>	<b>15</b>

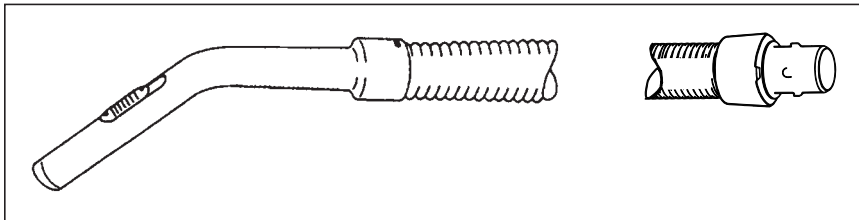
Item	Part.No.	Qty	Desc. 1	Desc. 2	EAN CODE No.
					<b>5715492 +</b>
1	82217000	1	BODY BASE CPL. ACTION		+033225

**Note**

>> means: New or changed ref. no.



2





## ACCESSORIES ø32 MM

## BOOK A

05-04 HOSES AND TUBES

A

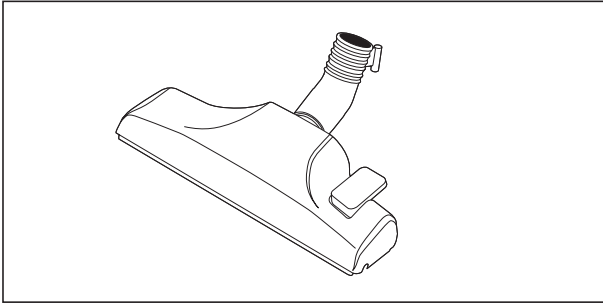
8.3.3

17

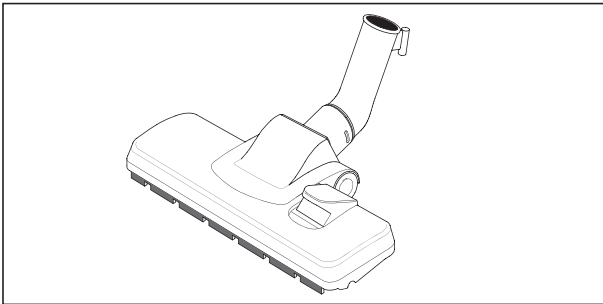
Item	Part.No.	Qty	Desc. 1	Desc. 2	EAN CODE No.
					5715492 +
1	82214600	1	TELESCP. TUBE - ACTION	CROME. 32 X 1045 MM	+032839
2	82214700	1	HOSE W. COUPLING - ACTION	D:32MM L:2M	+032846

**Note**

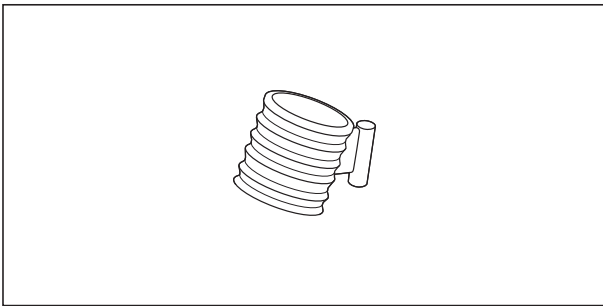
&gt;&gt; means: New or changed ref. no.



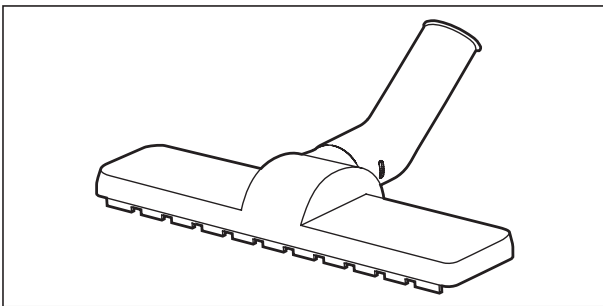
1



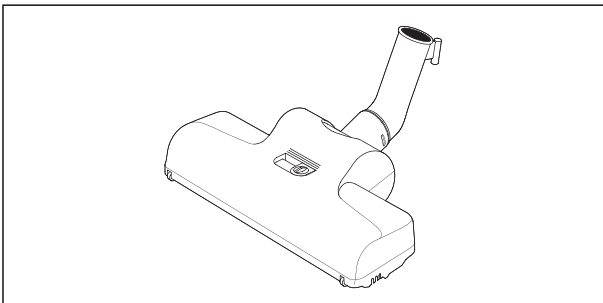
2



3



4



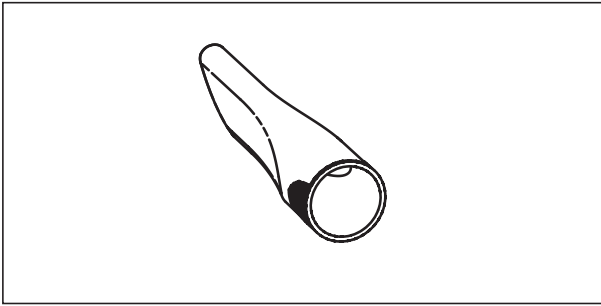
5

ACCESSORIES ø32 MM		BOOK A		
05-04	NOZZLES	A	8.3.3	19

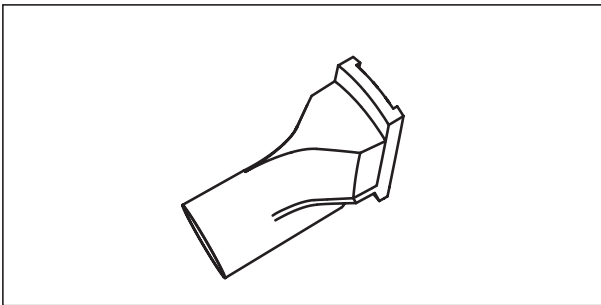
Item	Part.No.	Qty	Desc. 1	Desc. 2	EAN CODE No.
					5715492 +
1	82214200	1	COMBI NOZZLE	BLACK D:32MM W:270MM	+032792
2	82218100	1	COMBI NOZZLE STD. ACTION	BLACK D:32MM W:270MM	+033546
3	82214300	1	CLIP FOR NOZZLE ACTION		+032808
4	82214400	1	HARD FLOOR NOZZLE	BLACK D:32MM W:270MM	+032815
5	82214500	1	TURBO NOZZLE	BLACK D:32MM W:270MM	+032822

**Note**

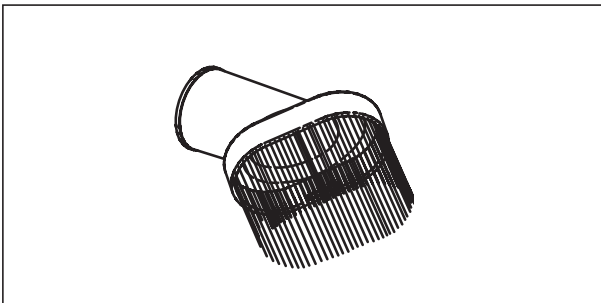
>> means: New or changed ref. no.



1



2



3

	<b>ACCESSORIES ø32 MM</b>	<b>BOOK A</b>		
<b>05-04</b>	<b>NOZZLES</b>	<b>A</b>	<b>8.3.3</b>	<b>21</b>

Item	Part.No.	Qty	Desc. 1	Desc. 2	EAN CODE No.
					<b>5715492 +</b>
1	82214800	1	CONE BLACK - ACTION	D:32MM L:155MM	+032853
2	82214900	1	UPHOLSTERY NOZZLE ACTION	D:32MM W:110MM BLACK	+032877
3	82215000	1	ROUND BRUSH - ACTION	D:32MM	+032884

**Note**

>> means: New or changed ref. no.