

PARTS LIST



2021.12.14

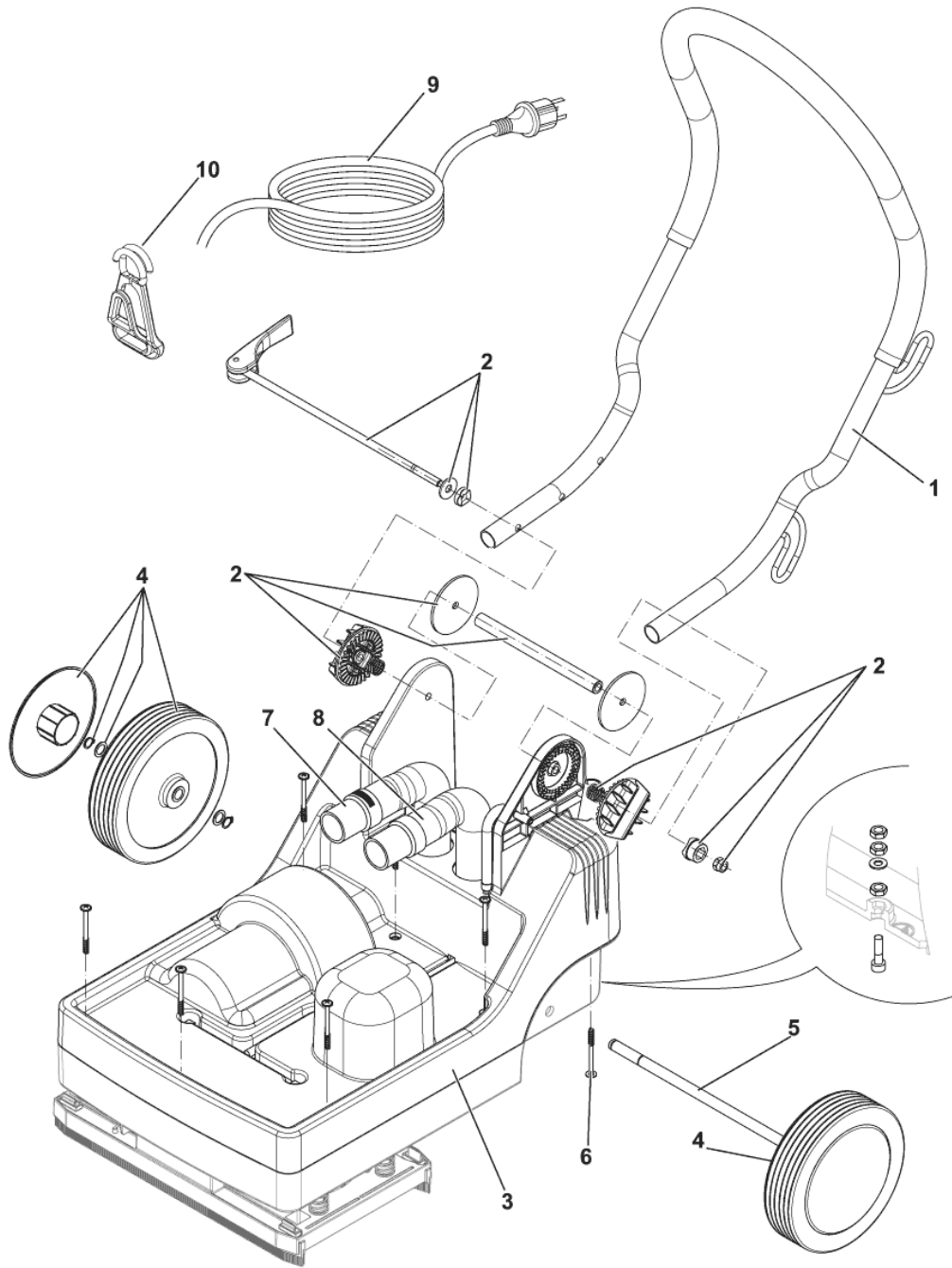
TABLE OF CONTENTS

Tanks system	1
Frame upper system	3
Frame lower system	5
Transmission system	7
Brushes, squeegees deck	9
Control panel system	11
Accessory: Carpet kit	13
Recommended spare parts	15
Accessory list	17
Support roller kit	19

No.	Part No.	Qty.	Description	Part Note
01	9097901000	1	DECALS SCRUBTEC 233 KIT	[1]
01	9097902000	1	DECALS SCRUBTEC 233 ALTO KIT	[2]
02	9097896000	1	VACUUM SOLUTION KIT	[3]
03	9097897000	1	CAP TANK WITH HOLE KIT	[3]
04	9097515000	2	CAP TANK KIT	[4]
05	9097669000	1	TANK SOLUTION 8L PLAST. BLUE	[3]
06	9097898000	1	COVER TANK KIT	[3]
07	9097236000	1	GASKET TANK COVER	[5]
08	9097668000	1	TANK RECOVERY 9L PLAST. BLUE	[3]
09	9097899000	1	HANDLE KIT	[3]
10	9097277000	1	VALVE ONE-WAY	[4]
11	L08603126	1	SOLUTION FILTER	

Part Notes:

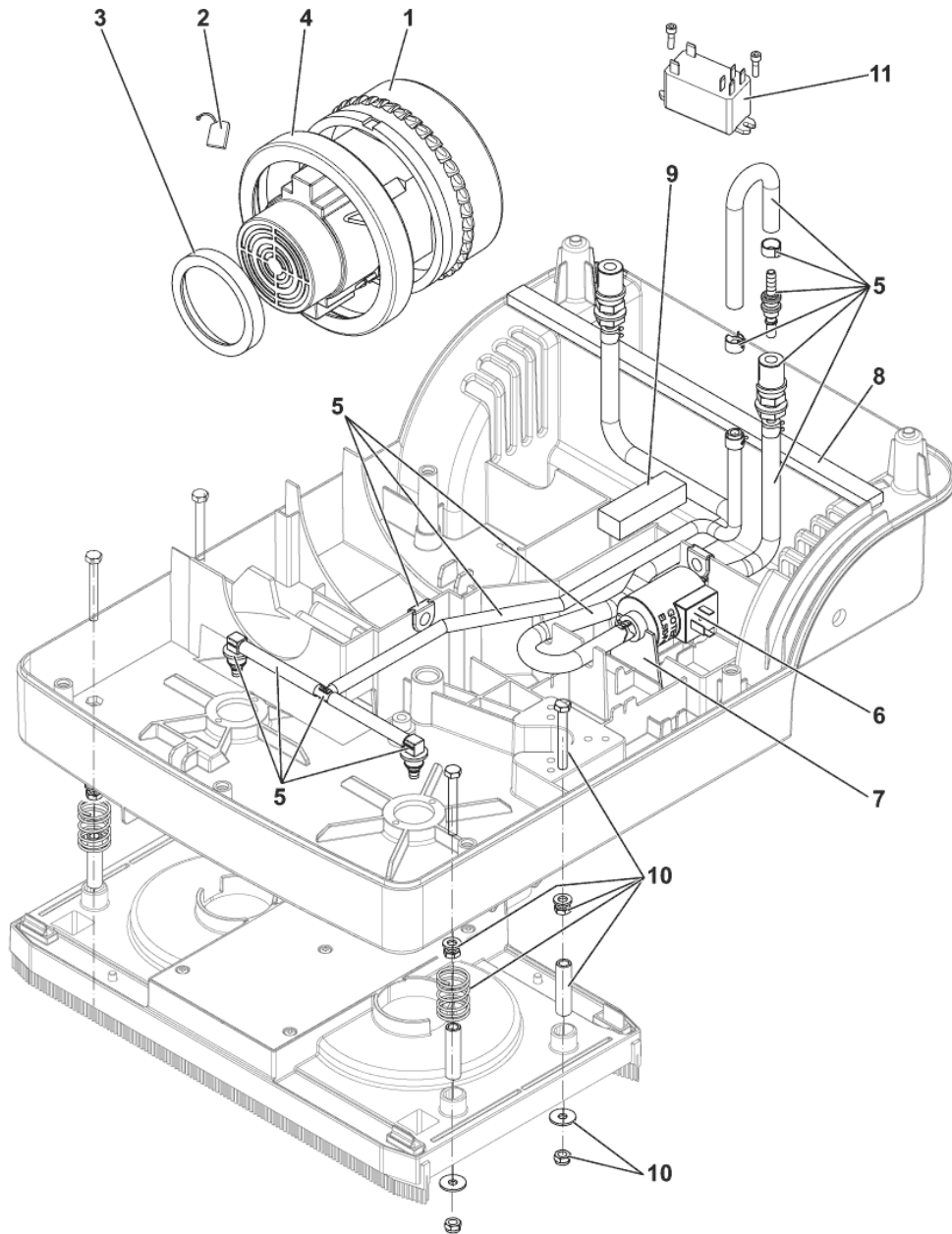
- [1] - Nilfisk-ALTO Brand
SEE PI 2017-002
- [2] - ALTO Brand
SEE PI 2017-002
- [3] - GUARANTEE DATE EXPIRED
- [4] - NO LONGER AVAILABLE
- [5] - STOCK COVERS GUARANTEE



No.	Part No.	Qty.	Description	Part Note
1	9097673000	1	HANDLE BAR ROUND MET.	[1]
2	9097437000	1	FIXING HANDLE BAR KIT	[2]
3	9097216000	1	FRAME UPPER	[2]
4	9097440000	1	WHEELS KIT	[3]
5	9097231000	1	SHAFT WHEELS	[1]
6	909 5893 000	8	SCREW W/DOME 6X60 THD FOR	[3]
7	9100001732	1	HOSE SUCTION SQUEEGEE BLACK L.480MM SIP	[1]
8	9097674000	1	HOSE SUCTION SQUEEGEE BLACK L.650MM	[2]
9	9100001731	1	CABLE POWER SUPPLY EU L.15000MM SIP	[2]
9	9100001063	1	CABLE POWER SUPPLY US L.15000MM SIP	[2]
9A	82179200	1	PLUG UK	
10	9098047000	1	HOLDER CABLE	[2]

Part Notes:

- [1] - GUARANTEE DATE EXPIRED
- [2] - NO LONGER AVAILABLE
- [3] - STOCK COVERS GUARANTEE



No.	Part No.	Qty.	Description	Part Note
1	910000675	1	MOTOR VACUUM 230V 550W	[1]
1	910000677	1	MOTOR VACUUM 100V 550W SIP	[2]
2	909 5719 000	2	BRUSH CARBON	
3	9097251000	1	GASKET VACUUM MOTOR	[3]
4	9097250000	1	GASKET VACUUM MOTOR	[3]
5	9097493000	1	PIPE SOLUTION KIT	[3]
6	9098207000	1	PUMP WATER 230 V 45W	[4]
6	9098370000	1	PUMP WATER EU KIT	[5]
6	9098371000	1	PUMP WATER US JP KIT	[6]
6	9098208000	1	PUMP WATER 110 V 45W	[4]
7	9097275000	1	SUPPORT PUMP NYLON	[7]
8	146 0410 000	1	GASKET ADHESIVE 15X10 L.340MM	[8]
9	9097583000	1	GASKET ADHESIVE 20X15 L.65MM SIP	[8]
10	9097431000	1	HARDWARE DECK FIXING KIT	[3]
11	9097864000	1	RELAY 110V 30A	[8]

Part Notes:

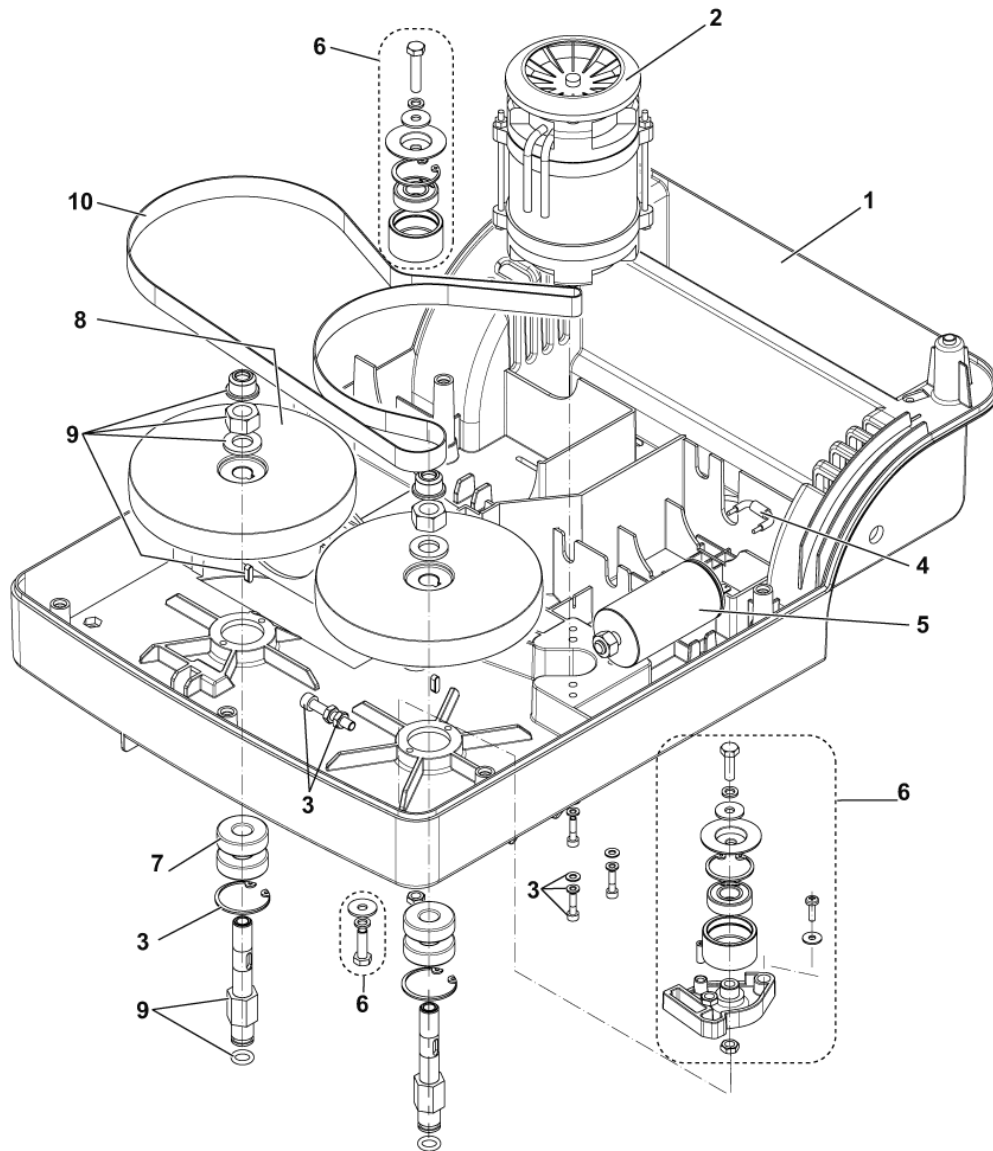
- [1] - FROM S.NO.092300293 - TSB IT 2009-028
- [2] - NO LONGER AVAILABLE

- FROM S.NO.092300293 - TSB IT 2009-028
- [3] - GUARANTEE DATE EXPIRED
- [4] - GUARANTEE DATE EXPIRED

- FROM S.NO.094101184 - TSB IT 2009-028
- [5] - GUARANTEE DATE EXPIRED

- BEFORE S.NO.094101184 - TSB IT 2009-028
- [6] - STOCK COVERS GUARANTEE

- BEFORE S.NO.094101184 - TSB IT 2009-028
- [7] - GUARANTEE DATE EXPIRED
Item 9097275000 was removed from the machine bill of materials it belonged to referring to the ECO 3414 SEE TSB IT 2009-028 Given input to 3510 to transfer it in MS40 ref. to Classification data. Serial no. break 104002715 (implemented in production 06.10.2010)
- [8] - NO LONGER AVAILABLE

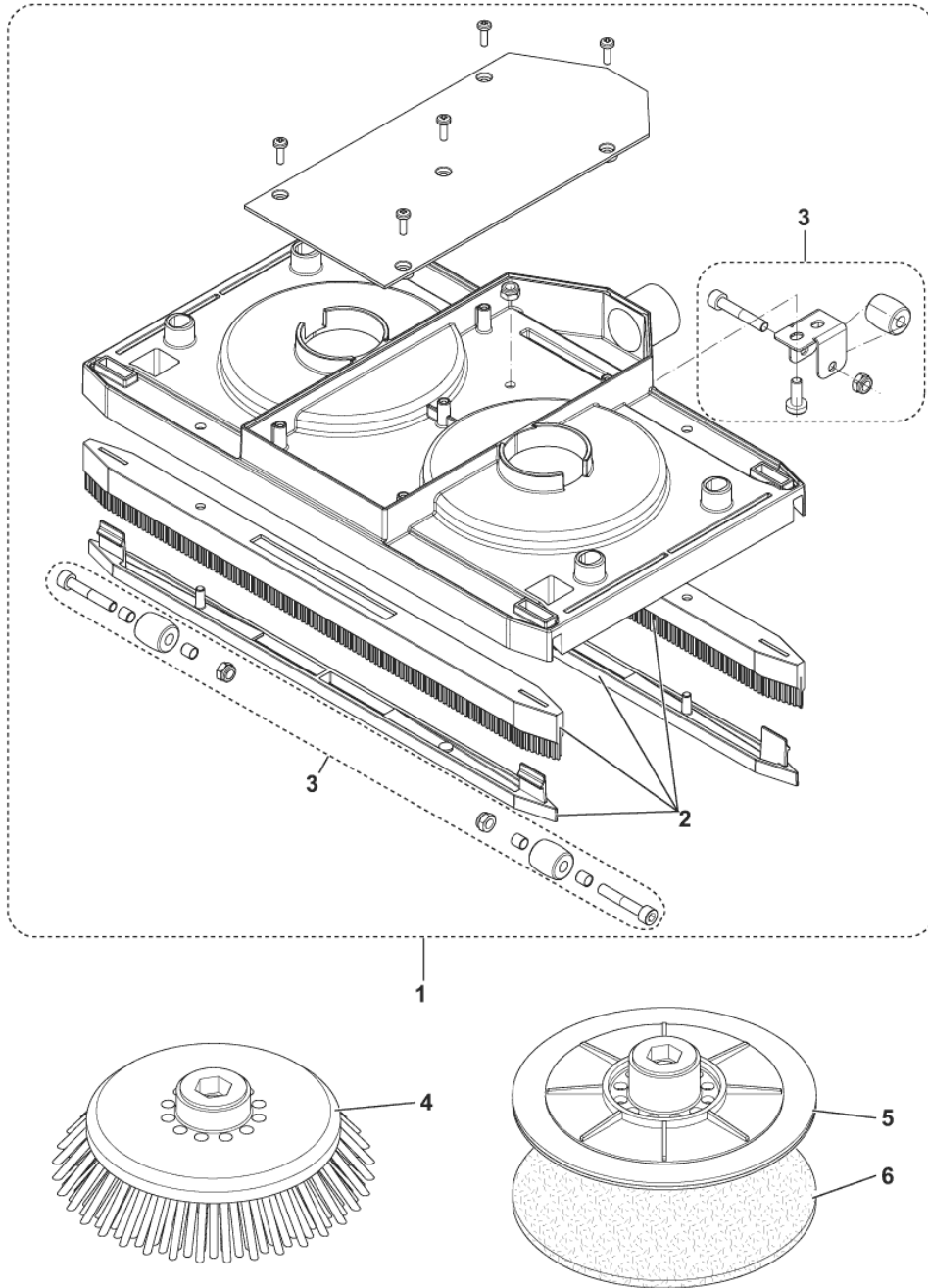


No.	Part No.	Qty.	Description	Part Note
1	9097215000	1	FRAME LOWER	[1]
2	9100000673	1	MOTOR ELECTRIC 100W 115V SIP	[1]
2	9100000672	1	MOTOR ELECTRIC 100W	[2]
3	9097467000	1	HARDWARE TRANSM.SYST. KIT	[2]
4	33009099	1	DIODE 1N4007	[3]
5	9097506000	1	CAPACITOR 20UF	[2]
5	9097280000	1	CAPACITOR 5UF	[2]
6	9097436000	1	TENSIONER BELT KIT	[4]
7	9100002018	4	BEARING BALL 6201 2RS1	
8	9097240000	2	PULLEY PLAST. BRUSH	[2]
9	9097435000	1	PIN BRUSH KIT	[1]
10	9097245000	1	BELT FLAT 1060	

Part Notes:

- [1] - NO LONGER AVAILABLE
- [2] - GUARANTEE DATE EXPIRED
- [3] - STOCK COVERS GUARANTEE
- [4] - GUARANTEE DATE EXPIRED

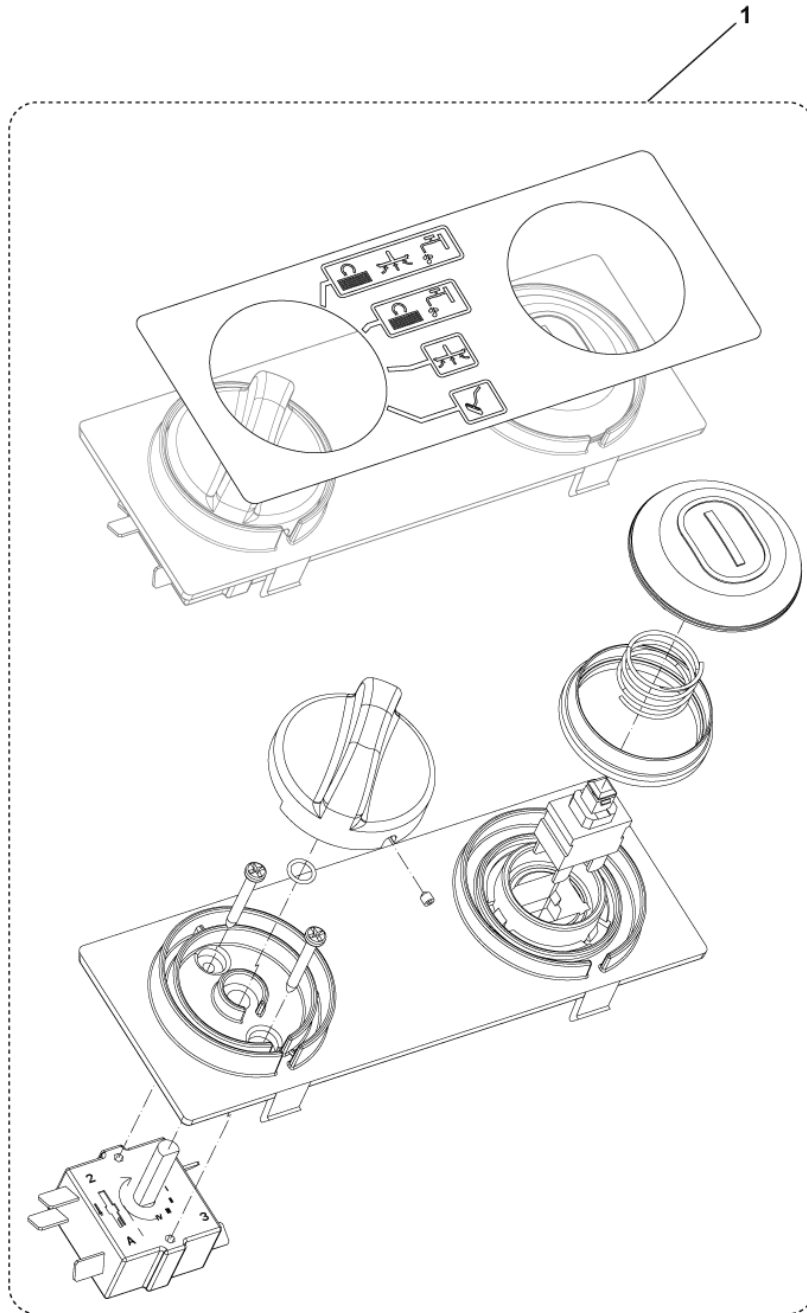
SEE TSB IT 2011-074



No.	Part No.	Qty.	Description	Part Note
1	9097432000	1	DECK BRUSH KIT	[1]
2	9097542000	1	BLADES KIT 385 MM	
3	9097434000	1	ROLLER DECK KIT	[2]
4	9097543000	2	BRUSH D 165 PPL 0.	[3]
4	9097242000	2	BRUSH D 165 PPL 0.	
5	9097243000	2	PAD HOLDER D 165	[4]
6	10001968	1	PAD 6.5 165MM ECO WHITE 10PCS	[4]
6	72500223	1	Pad 5 pcs 165mm browm	[3]
6	10001969	1	PAD 6.5 165MM ECO RED	[4]

Part Notes:

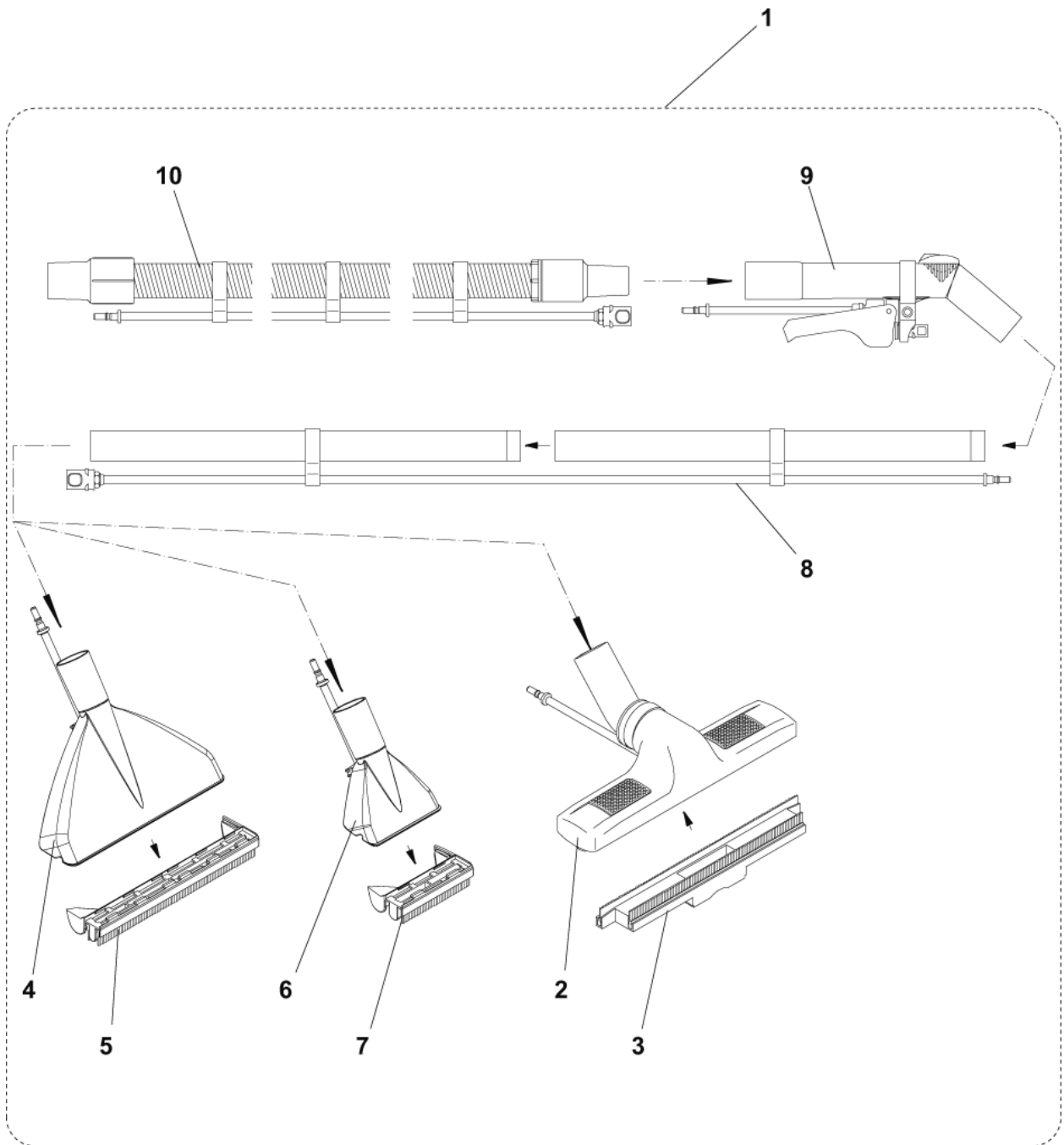
- [1] - GUARANTEE DATE EXPIRED
- [2] - STOCK COVERS GUARANTEE
- [3] - ACCESSORY
- [4] - ACCESSORY
STOCK COVERS GUARANTEE



No.	Part No.	Qty.	Description	Part Note
00	9098209000	1	HARNES MACHINE EU	[1]
00	9097301000	1	HARNES MACHINE EU	[2]
00	9098210000	1	HARNES MACHINE UL	[1]
00	9097507000	1	HARNES MACHINE UL	[2]
01	9097904000	1	PANEL CONTROL W/DECAL KIT	[3]

Part Notes:

- [1] - NO LONGER AVAILABLE
- FROM S.NO.094101184 - TSB IT 2009-028
- [2] - GUARANTEE DATE EXPIRED
- BEFORE S.NO.094101184 - TSB IT 2009-028
- [3] - GUARANTEE DATE EXPIRED
INST. INSTR. 9100000560



No.	Part No.	Qty.	Description	Part Note
0	9098304000	1	NOZZLE SPRAY	[1]
1	9097575000	1	CARPET/HARD FLOOR TOOL	[2]
2	9097566000	1	NOZZLE D13	[3]
3	9097567000	1	FRAME RUBBERS D.13	[3]
4	9097568000	1	NOZZLE 230	[4]
5	9097569000	1	FRAME RUBBERS 230MM	[5]
6	9097570000	1	NOZZLE 100	[6]
7	9097571000	1	FRAME RUBBERS 100MM	[3]
8	9097572000	2	EXTENSION HOSE	[3]
9	9097573000	1	HANDLE D2	[5]
10	9097574000	1	HOSE MT.3	[5]

Part Notes:

- [1] - NO LONGER AVAILABLE
- FROM S.NO.094101184 - TSB IT 2009-028
- [2] - PRUNED ACCESSORY
- [3] - STOCK COVERS GUARANTEE
- [4] - STOCK COVERS GUARANTEE
- FROM S.NO.094101184 - TSB IT 2009-028
- [5] - GUARANTEE DATE EXPIRED
- [6] - NO LONGER AVAILABLE

No.	Part No.	Qty.	Description	Part Note
1	9097242000	2	BRUSH D 165 PPL 0,	[1]
2	9097542000	1	BLADES KIT 385 MM	[1]
3	9097251000	1	GASKET VACUUM MOTOR	[2]
4	9097899000	1	HANDLE KIT	[2]
5	909 5719 000	2	BRUSH CARBON	[3]
6	9097245000	1	BELT FLAT 1060	[3]
7	L08603126	1	SOLUTION FILTER	[3]
8	9100001732	1	HOSE SUCTION SQUEEGEE BLACK L.480MM SIP	[4]
9	9097674000	1	HOSE SUCTION SQUEEGEE BLACK L.650MM	[5]
10	9097434000	1	ROLLER DECK KIT	[6]
11	9097904000	1	PANEL CONTROL W/DECAL KIT	[7]
12	9100000672	1	MOTOR ELECTRIC 100W	[7]
13	9100000673	1	MOTOR ELECTRIC 100W 115V SIP	[8]
14	9097280000	1	CAPACITOR 5UF	[7]
15	9097506000	1	CAPACITOR 20UF	[7]
18	9097277000	1	VALVE ONE-WAY	[8]
19	9097250000	1	GASKET VACUUM MOTOR	[7]
20	9097440000	1	WHEELS KIT	[9]

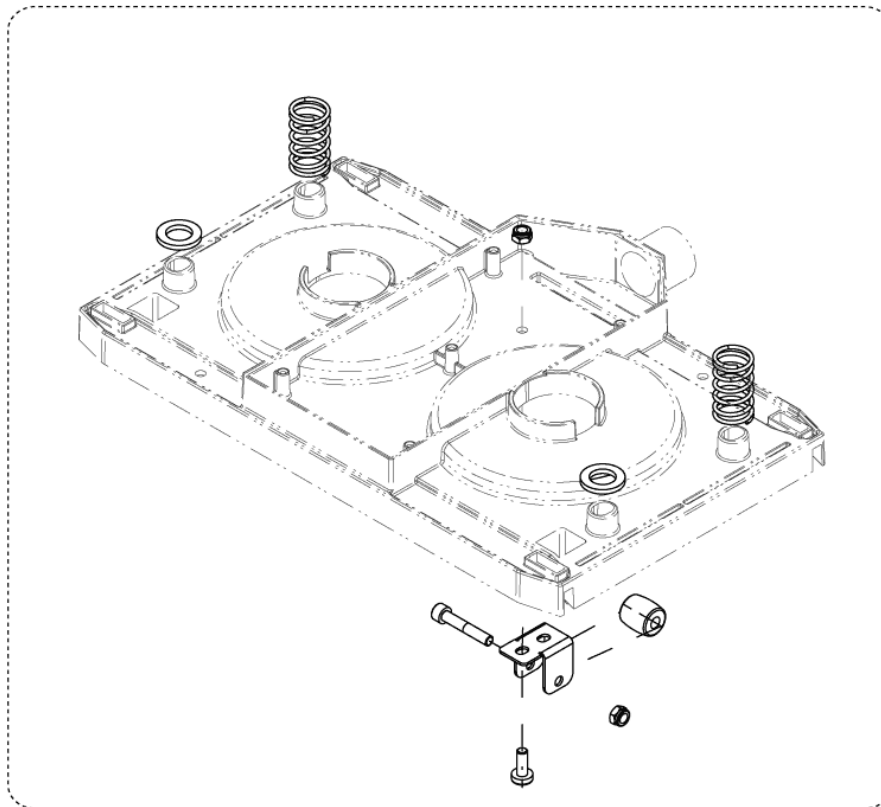
Part Notes:

- [1] - WEAR PART
- [2] - WEAR PART
GUARANTEE DATE EXPIRED
- [3] - ORDINARY MAINTENANCE
- [4] - ORDINARY MAINTENANCE
GUARANTEE DATE EXPIRED
- [5] - ORDINARY MAINTENANCE
NO LONGER AVAILABLE
- [6] - ORDINARY MAINTENANCE
STOCK COVERS GUARANTEE
- [7] - EXTRAORDINARY MAINTENANCE
GUARANTEE DATE EXPIRED
- [8] - EXTRAORDINARY MAINTENANCE
NO LONGER AVAILABLE
- [9] - EXTRAORDINARY MAINTENANCE
STOCK COVERS GUARANTEE

No.	Part No.	Qty.	Description	Part Note
1	9097575000	1	CARPET/HARD FLOOR TOOL	[1]
2	9097543000	2	BRUSH D 165 PPL 0.	
3	9097243000	2	PAD HOLDER D 165	[2]
4	10001968	1	PAD 6.5 165MM ECO WHITE 10PCS	[2]
5	10001969	1	PAD 6.5 165MM ECO RED	[2]
6	10001970	1	PAD 6.5 165MM ECO BROWN	[2]

Part Notes:

- [1] - PRUNED ACCESSORY
- [2] - STOCK COVERS GUARANTEE



1

No.	Part No.	Qty.	Description	Part Note
1	9098211000	1	SUPPORT ROLLER KIT	[1]

Part Notes:

- [1] - GUARANTEE DATE EXPIRED
FROM S.NO.091700016-TSB IT 2009-028

