

SCRUBTEC 770 S/L, 784 S/L, 795 S/L

Model:

SCRUBTEC 770L
SCRUBTEC 770S
SCRUBTEC 784L
SCRUBTEC 784S
SCRUBTEC 795L
SCRUBTEC 795S



Part List US-English

17-06-2008

Nilfisk
ALTO
Why Compromise

www.nilfisk-alto.com

Table of Contents

SCRUBTEC 770 S/L, 784 S/L, 795 S/L

Solution tank	3
Recovery tank	6
Electrical panel S	8
Electrical panel L	11
Control panel	13
Squeegee swing arm	16
Traverse system	19
Brush head	21
Brush motor	24
Gearbox	26
Vac motor	28
Imperial transaxle	30

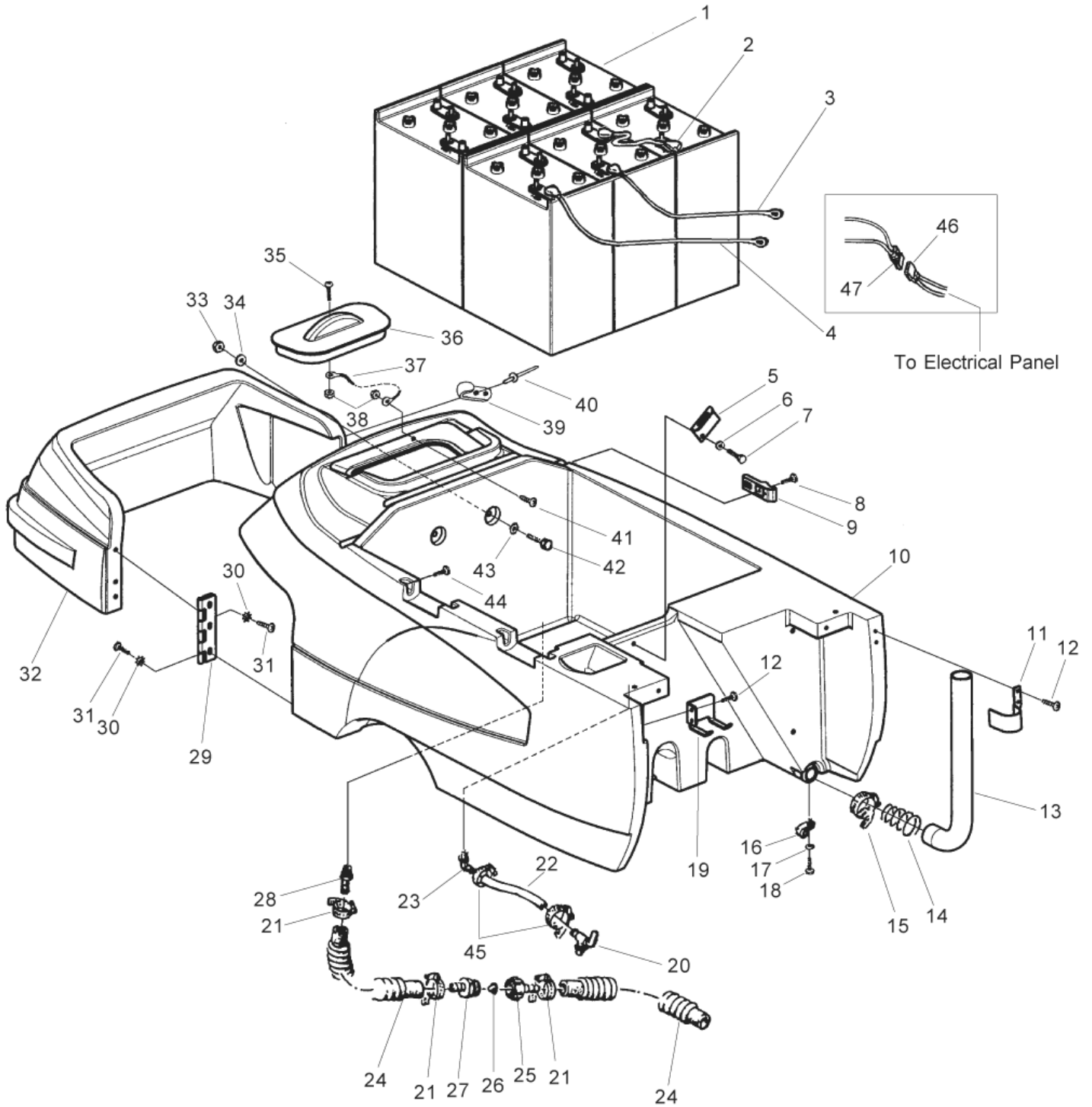
Solution tank

SCRUBTEC 770 S/L, 784 S/L, 795 S/L

17-06-2008

Part List ID
SCRUBTEC77002

3



Solution tank

SCRUBTEC 770 S/L, 784 S/L, 795 S/L

17-06-2008

Part List ID
SCRUBTEC77002

4

Pos	Part no.	Qty	Description	EAN
1	881317	6	BATTERY-250AH WET 6V TAPERED	
1	891384	6	BATTERY-330 AMP-WET	5701715389
2	40860A	1	CABLE ASM FUSED	
2	842406	5	CABLE-SERIES	5701715197
2	842406	4	CABLE-SERIES	5701715197
3	40613A	1	CABLE BLACK BATTERY ENCORE 17	5701715320
4	40612A	1	CABLE RED BATTERY ENCORE 17	5701715320
5	61713A	1	BRACKET TANK SUPPORT	
6	170892	2	WASHER LK 1/4 REG SS	5701715152
7	170915	2	SCREW 1/4-20 X 3/4 HX HD SS	5701715152
8	962027	2	SCREW 8-32 X 1/2 PAN HD	5701715203
9	50966A	1	LATCH FRONT COVER ENC 2426	5701715278
10	30590E	1	TANK SOLUTION	
11	60480A	1	BRACKET DRAIN HOSE ENC 2426	
12	80108A	4	SCREW 10-24 X 1/2"	5701715279
13	30598A	1	HOSE DRAIN SOL.	
14	51346A	1	SPRING DRAIN HOSE ENC 2426	5701715302
15	872010	1	CLAMP HOSE	5701715130
16	98465A	1	INSUL METAL CLAMP 7/8	
17	980657	1	WASHER 1/4 LOCK STD	5701715207
18	962139	1	SCREW 1/4-20 X 5/8 HEX HD	
19	61590A	1	HANGER HOSE	
20	59614A	1	VALVE BATTERY DRAIN ENCORE 33	5701715216
21	53571A	4	CLAMP HOSE	
22	30453A	1	HOSE CLEAR VINYL ENCORE	5701715216
23	822802	1	ELBOW SOL HOSE TB20E	5701715195
24	30445A	2	HOSE SOLUTION	5701715216
25	50358A	1	ADAPTOR 5/8 BARB ENCORE 33	5701715216
26	838517	1	SCREEN-HOSE WASHER	5701715130
27	830214	1	ADAPTER-.75 BARB & GHT MALE TH	5701715195
28	50359A	1	ADAPTOR SOL.TANK ENCORE 33	
29	53568A	1	HINGE COVER	
30	980614	6	WASHER LK 1/4 EXT TOOTH PLTD	5701715279
31	85395A	6	SCREW 1/4-20 X 1/2 PAN HD SS	5701715197
32	30655A	1	COVER FRONT SCRUBTEC	
33	81105A	2	NUT 3/8-16 ESNA TYPE SS	5701715194
34	980645	2	WASHER 3/8 FLAT SAE	5701715207
35	962798	1	SCREW 10-24X 1/2 PN SS PH	5701715205
36	30498A	1	LID SOLUTION FOCUS	
37	38020A	1	STRAP COVER ENCORE 28-38	5701715248
38	920296	2	NUT 10-24 ELASTIC STOP	5701715201
39	50966A	1	LATCH FRONT COVER ENC 2426	5701715278
40	930090	2	POP RIVET 5/32X3/16-5/16	5701715202

Solution tank

SCRUBTEC 770 S/L, 784 S/L, 795 S/L

17-06-2008

Part List ID
SCRUBTEC77002

5

Pos	Part no.	Qty	Description	EAN
41	962666	1	SCR 10-24X 3/4 PAN HEAD PHILL	5701715278
42	962522	2	SCREW 3/8-16 X 2 HEX ST CAP	5701715213
43	87054A	2	WASHER FENDER .375	
44	80289A	2	SCREW #10 X 1/2 PAN TYPE A	
45	50248A	2	CLAMP 3/8 HOSE	5701715298
46	40856A	1	CABLE CONSOLE RING ASM	
46	40857A	1	CABLE CONSOLE RING ASM	
47	40855A	1	CABLE BTY TAPER POST ASM	

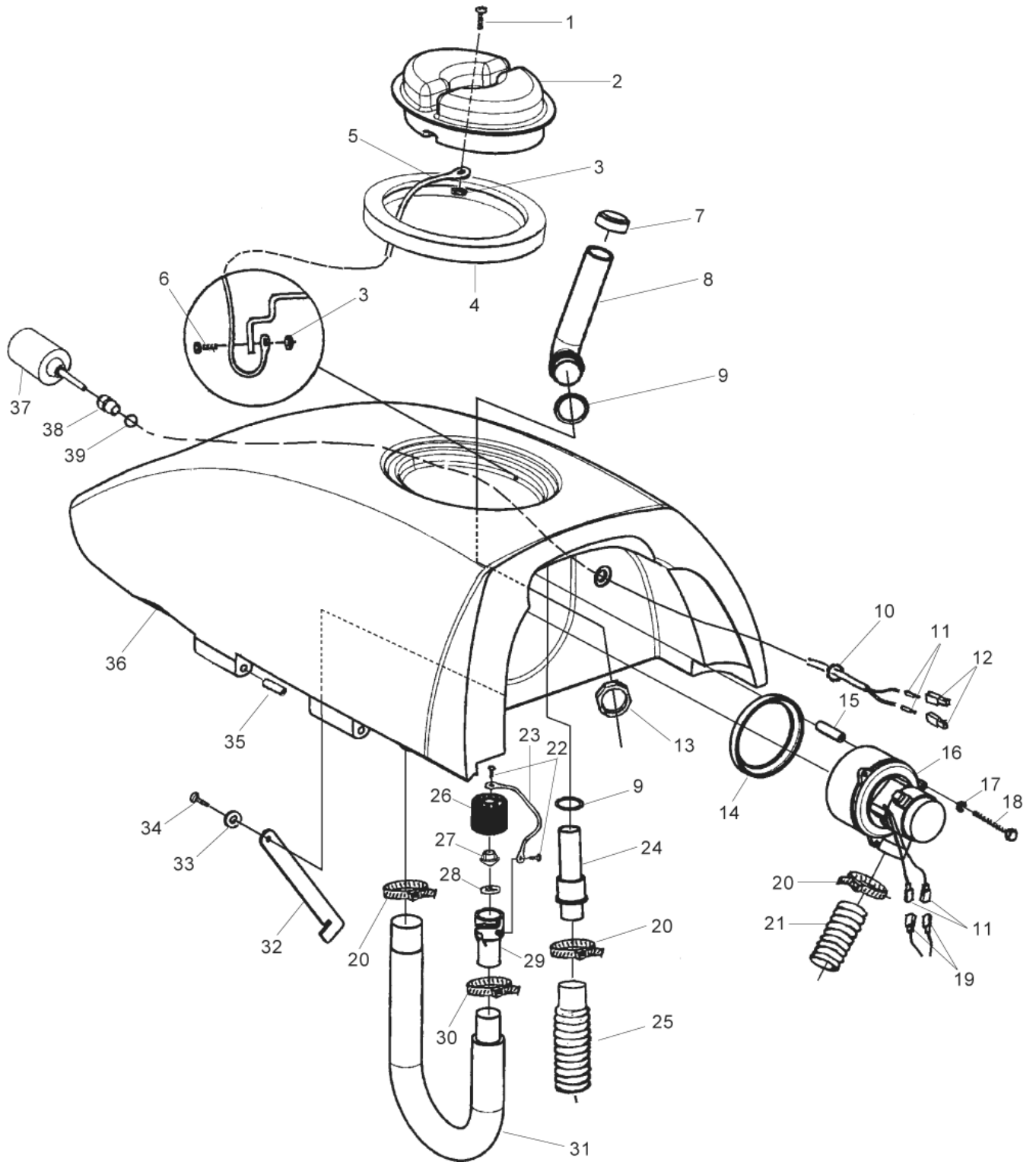
Recovery tank

SCRUBTEC 770 S/L, 784 S/L, 795 S/L

17-06-2008

Part List ID
SCRUBTEC77004

6



Recovery tank

SCRUBTEC 770 S/L, 784 S/L, 795 S/L

17-06-2008

Part List ID
SCRUBTEC77004

7

Pos	Part no.	Qty	Description	EAN
1	962798	1	SCREW 10-24X 1/2 PN SS PH	5701715205
2	30057A	1	LID RECOVERY TANK	5701715278
3	920296	2	NUT 10-24 ELASTIC STOP	5701715201
4	30065B	1	GASKET VACUUM LID 32"	
5	38020A	1	STRAP COVER ENCORE 28-38	5701715248
6	962666	1	SCR 10-24X 3/4 PAN HEAD PHILL	5701715278
7	58069A	1	SCREEN VAC FILTER ENCORE 20	5701715250
8	39338B	1	TUBE STAND 1 1/2 SPT X 6.38"	5701715316
9	837304	2	O-RING RETAINER PAPER BAG	5701715196
10	82100A	1	LOCKNUT 1/2" CONDUIT	5701715255
11	41809A	4	CONTACT CONNECTOR VISION 26/	5701715160
12	43402A	2	HOUSING CONNECTOR BLUE VISION	5701715160
13	920797	1	NUT DRAIN VALVE LOCK #8131 935	5701715202
14	643418	1	GASKET	5701715171
15	58533A	3	SPACER VAC MOTOR 3 STG. SUMMI	5701715168
16	45019A	1	MOTOR-VAC 36VDC 3 STAGE	5701715130
17	87026A	3	WASHER .250 FLAT SS	5701715198
18	85728A	3	SCREW 1/4-20 X 4 HEX HD AUTOSC	5701715197
19	43401A	2	HOUSING CONNECTOR BLK VISIO	5701715160
20	872010	3	CLAMP HOSE	5701715130
21	674110	1	HOSE	5701715225
22	962957	2	SCREW #10-16 X 1/2 HI-LO	5701715205
23	52206A	1	CHAIN COVER AUTOSCRUBER	5701715132
24	30620A	1	ADAPTOR ASM. VACUUM	
25	35192A	1	HOSE RECOVERY EXT-2100	5701715213
26	30227A	1	HOUSING DRAIN ENCORE 17	5701715319
27	30226A	1	PLUG DRAIN ENCORE 17	5701715319
28	52560A	1	O-RING .103 X .799 ID	5701715320
29	30225A	1	BODY DRAIN ENCORE 17	5701715319
30	832002	1	CLAMP NYLON HOSE	5701715195
31	35165A	1	HOSE-DRAIN CFS-2700	5701715216
32	61591A	1	SUPPORT REC. TANK FOCUS	
33	87622A	1	WASHER FLT .63X.32X.03 NYLON	5701715278
34	80043A	1	BOLT SHOULDER 5/16 ZC	5701715258
35	30068A	2	PIN HINGE ENCORE 2426	5701715278
36	30673A	1	TANK RECOVERY SCRUBTEC 770S	
36	30698A	1	TANK RECOVERY SCRUBTEC 784S	
36	30699A	1	TANK RECOVERY SCRUBTEC 784L	
36	30700A	1	TANK RECOVERY SCRUBTEC 795S	
36	30701A	1	TANK RECOVERY SCRUBTEC 795L	
37	40002A	1	SWITCH FLOAT ELECTRICAL	5701715272
38	56459A	1	STRAIN RELIEF EXT-771 PBII	5701715167
39	87612A	1	SEAL WASHER 1700 BT II	5701715198

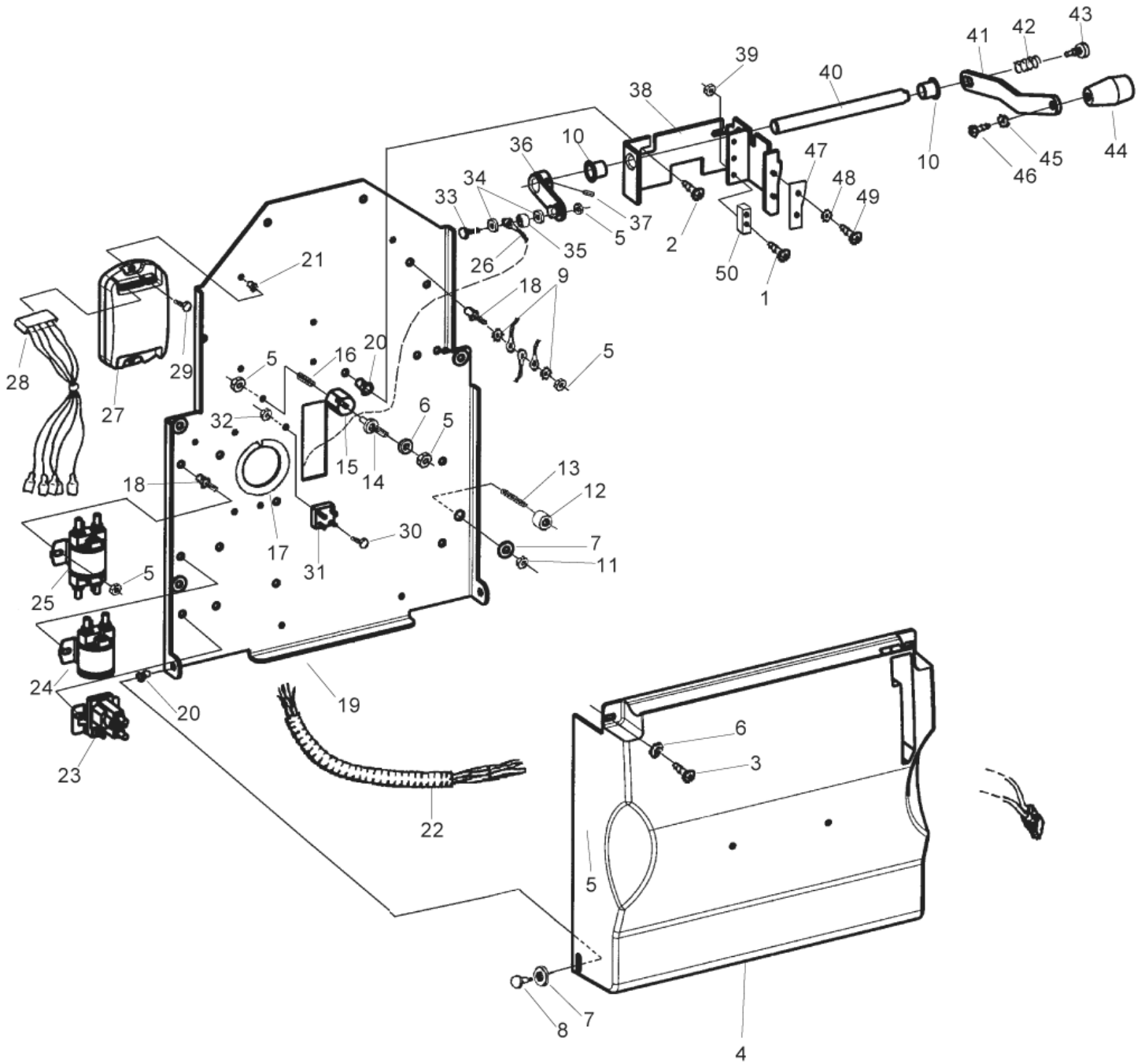
Electrical panel S

SCRUBTEC 770 S/L, 784 S/L, 795 S/L

17-06-2008

Part List ID
SCRUBTEC77006

8



Electrical panel S

SCRUBTEC 770 S/L, 784 S/L, 795 S/L

17-06-2008

Part List ID
SCRUBTEC77006

9

Pos	Part no.	Qty	Description	EAN
1	962980	2	SCREW 6-32X1 PN ST PH	5701715205
2	962139	2	SCREW 1/4-20 X 5/8 HEX HD	
3	85391A	2	SCREW 1/4-20 X 5/8 PN SY PH	5701715197
4	30594A	1	COVER REAR FOCUS	
5	81104A	10	NUT 1/4-20 ESNA TYPE SS	5701715194
6	87007A	3	WASHER-CONTROL SHAFT ECCENTRIC	5701715198
7	980651	6	WASHER 5/16 SAE FLAT	5701715207
8	80030A	2	BOLT SHOULDER 5/16 X 1/2	5701715194
9	980614	2	WASHER LK 1/4 EXT TOOTH PLTD	5701715279
10	902731	2	BEARING-NYLINER	5701715199
11	920110	4	NUT LK 5/16-18 REG PLTD	5701715201
12	53569A	4	SPACER .352 IDX.980 OD X .50T	
13	80285A	4	SCREW SET 5/16-18 X 1-3/4	
14	83302A	1	STUD 1/4-20	
15	854849	1	INSULATOR RO-42/32IX/26IX	5701715197
16	170781	1	SCR 1/4 -20X 3/4 ST	
17	193951	1	TRIM DOUBLE LIP-BLACK	5701715279
18	83307A	1	STUD 1/4-20 ASS4-420-165-625	
19	61589A	1	PANEL ELECTRICAL	
20	54764A	4	INSERT HEX 1/4-20 UNC ENCORE	
21	54763A	2	INSERT HEX #8-32 UNC ENCORE	
22	40736A	1	HARNESS MAIN-STD FOCUS	
23	40125A	1	SOLENOID VAC LARGE ENCORE	5701715309
24	41801A	1	CONTACTOR 36V	5701715130
25	41802A	1	CONTACTOR 36V	5701715130
26	61682A	1	CABLE ASM UPPER ENCORE S33	5701715216
27	40735A	1	CONTROLLER SOLO	
28	40759A	1	HARNESS WIRING TRAV STD	
29	80254A	2	SCREW 8-32X1" PAN HD SS BLACK	
30	962666	1	SCR 10-24X 3/4 PAN HEAD PHILL	5701715278
31	912287	1	RECTIFIER-FWB	5701715201
32	920296	1	NUT 10-24 ELASTIC STOP	5701715201
33	85700A	1	SCR 1/4 -20X1 HX ST CAP	5701715197
34	87026A	2	WASHER .250 FLAT SS	5701715198
35	608210	1	SPACER-HANDLE BOLT	5701715169
36	65628A	1	LEVER WLDMNT LIFT ENCORE 33	5701715337
37	962304	2	SCR 5/16-18X1/2 SOC CUPPT SS	5701715203
38	61584A	1	BRACKET WLD SQU. LIFT FOCUS	
39	920056	2	NUT-6X32 ELASTIC STOP	5701715201
40	61586A	1	SHAFT SQUEEGEE LIFT FOCUS	
41	61585A	1	LEVER SQUEEGEE LIFT FOCUS	
42	438360	1	SPRING-ADJUSTER LIFT	5701715160
43	960510	1	BOLT PIVOT LEVER TB18/32A	5701715203

Electrical panel S

SCRUBTEC 770 S/L, 784 S/L, 795 S/L

17-06-2008

Part List ID
SCRUBTEC77006

10

Pos	Part no.	Qty	Description	EAN
44	52557A	1	KNOB SQUEEGEE LIFT ENCORE17	5701715320
45	980666	1	WASHER 3/8 EXT. STAR	5701715258
46	85389A	1	SCREW 3/8-16 X 5/8 PN SY PH	5701715259
47	68643A	1	PLATE WEAR PNTD VISION 26/3	5701715213
48	980675	2	WASH-.190IDX.406OD EX TH	
49	962546	2	SCREW 10-24X 1/2 PN ST TP23 PH	5701715204
50	47388A	1	SWITCH ASM. VAC 26/32 VISION	5701715130

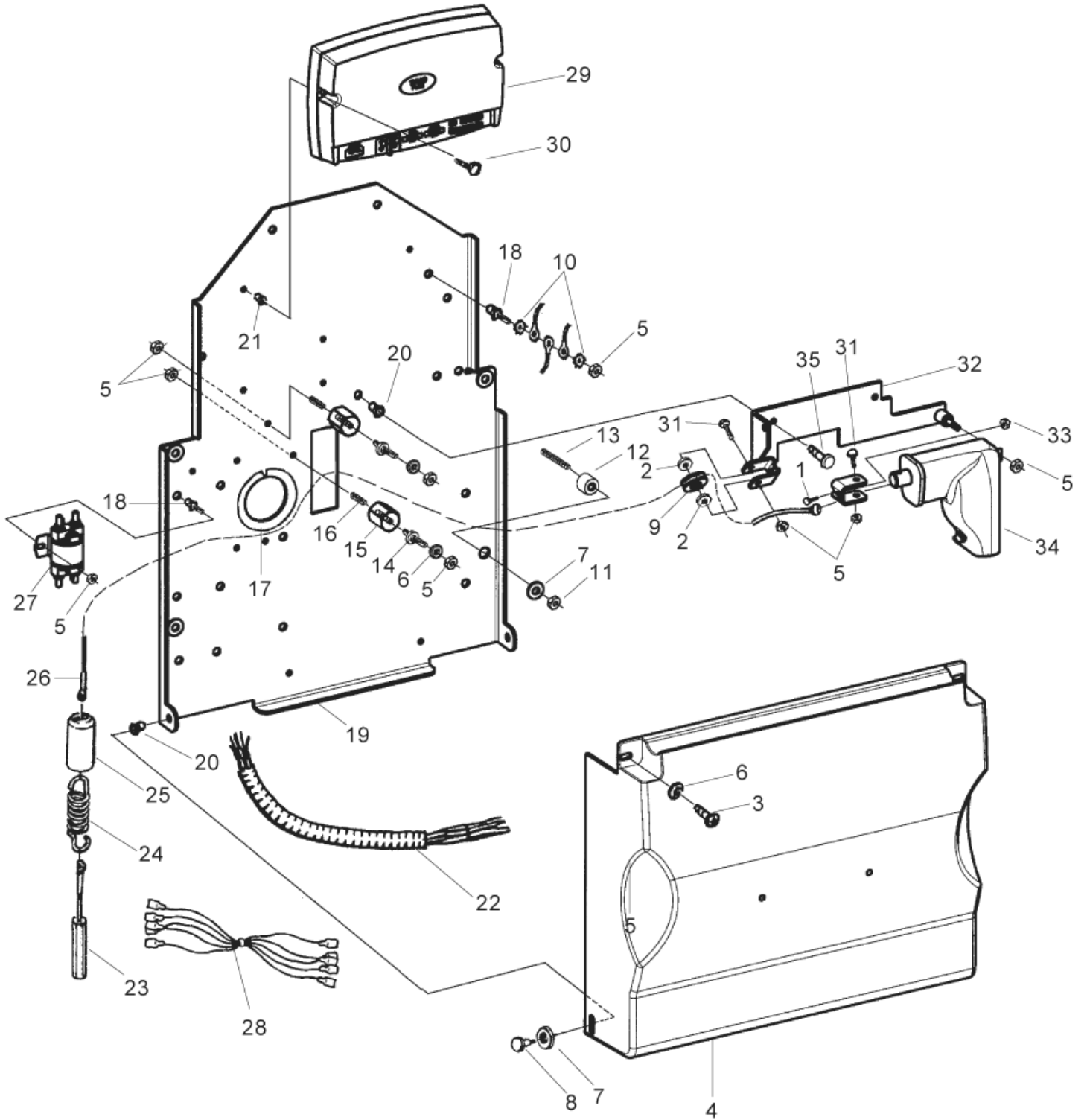
Electrical panel L

SCRUBTEC 770 S/L, 784 S/L, 795 S/L

17-06-2008

Part List ID
SCRUBTEC77008

11



Electrical panel L

SCRUBTEC 770 S/L, 784 S/L, 795 S/L

17-06-2008

Part List ID
SCRUBTEC77008

12

Pos	Part no.	Qty	Description	EAN
1	962798	1	SCREW 10-24X 1/2 PN SS PH	5701715205
2	87624A	2	WASHER FLT 1.50X.26X.13 NYLON	5701715389
3	85391A	2	SCREW 1/4-20 X 5/8 PN SY PH	5701715197
4	30626A	1	COVER REAR DLX	
5	81104A	10	NUT 1/4-20 ESNA TYPE SS	5701715194
6	87007A	4	WASHER-CONTROL SHAFT ECCENTRIC	5701715198
7	980651	6	WASHER 5/16 SAE FLAT	5701715207
8	80030A	2	BOLT SHOULDER 5/16 X 1/2	5701715194
9	57275A	1	PULLEY SQUEG.CABLE ENCORE 33	5701715216
10	980614	2	WASHER LK 1/4 EXT TOOTH PLTD	5701715279
11	920110	4	NUT LK 5/16-18 REG PLTD	5701715201
12	53569A	4	SPACER .352 IDX.980 OD X .50T	
13	80285A	4	SCREW SET 5/16-18 X 1-3/4	
14	83302A	2	STUD 1/4-20	
15	854849	2	INSULATOR RO-42/32IX/26IX	5701715197
16	170781	2	SCR 1/4 -20X 3/4 ST	
17	193951	1	TRIM DOUBLE LIP-BLACK	5701715279
18	83307A	3	STUD 1/4-20 ASS4-420-165-625	
19	61589A	1	PANEL ELECTRICAL	
20	54764A	2	INSERT HEX 1/4-20 UNC ENCORE	
21	54763A	2	INSERT HEX #8-32 UNC ENCORE	
22	40742A	1	HARNESS MAIN DLX FOCUS	
23	61680A	1	CABLE ASM SPRING ENCORE 33	5701715274
24	53424A	1	SPRING CABLE ENCORE 28-38	5701715216
25	58409A	1	SLEEVE SPRING ENCORE 25-38	5701715216
26	61681A	1	CABLE ASM UPPER ENCORE L33	5701715216
27	41802A	1	CONTACTOR 36V	5701715130
28	40854A	1	HARNESS WIRE	
29	40743B	1	CONTROLLER TRIO FOCUS WB	
30	80105A	2	SCREW 8-32 X 1 1/4 SS PAN HD	5701715279
31	86004A	2	SCREW 1/4-20X1 1/2 HEX FULTHRD	5701715213
32	61595A	1	BRACKET WLD SQ ACT	
33	920296	1	NUT 10-24 ELASTIC STOP	5701715201
34	40745A	1	ACTUATOR SQUEEGEE	
35	962139	2	SCREW 1/4-20 X 5/8 HEX HD	
36	69872A	1	BRACKET PULLEY PLTD ENCORE	

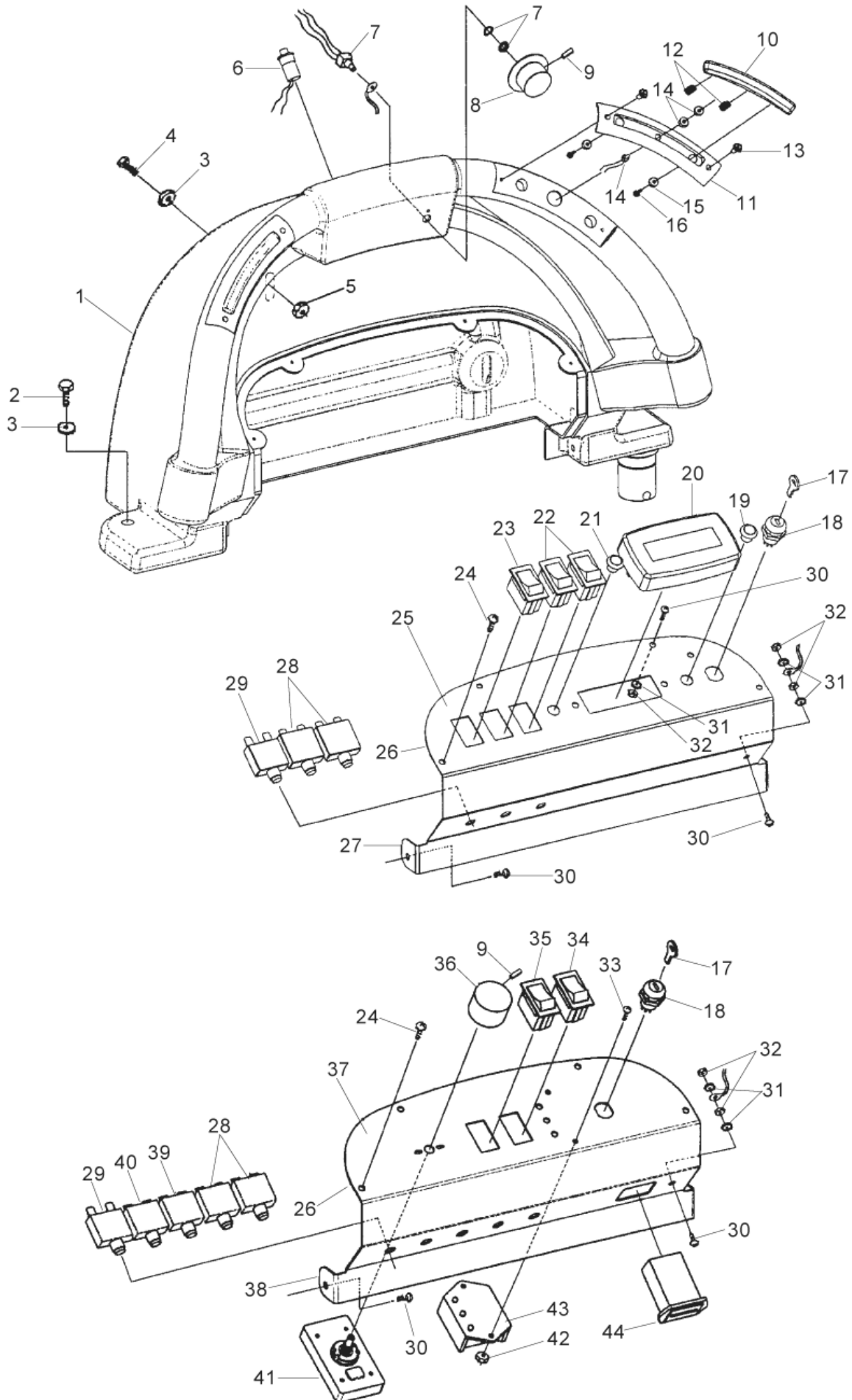
Control panel

SCRUBTEC 770 S/L, 784 S/L, 795 S/L

17-06-2008

Part List ID
SCRUBTEC77010

13



Control panel

SCRUBTEC 770 S/L, 784 S/L, 795 S/L

17-06-2008

Part List ID
SCRUBTEC77010

14

Pos	Part no.	Qty	Description	EAN
1	30592A	1	HANDLE CONTROL	
2	85815A	2	SCREW 5/16-18 X 1.50 HEX HEAD	
3	980205	6	WASHER .312 ID/1.06 OD/.075THK	5701715206
4	85813A	4	SCREW 5/16-18 X 1 HX HD	5701715197
5	920110	4	NUT LK 5/16-18 REG PLTD	5701715201
6	52556A	1	SWITCH PUSH BUTTON ENCORE 17	5701715320
7	40738A	1	HARNES POTENTIOMETER ASM	S
7	40750A	1	HARNES WIRING POT. DLX	L
8	50962A	1	KNOB CONTROL ENCORE 2426	5701715279
9	962262	2	SCR 8-32X 1/4 ST ST CUPPT	5701715203
10	30055A	2	BAR SWITCH ENCORE 2426	5701715278
11	30056A	2	HOUSING SWITCH ENCORE 2426	5701715279
12	50961A	4	SPRING SWITCH ENCORE 2426	5701715278
13	80104A	4	SCREW 10-32 X 1/2" OVAL HEAD	5701715279
14	40126A	2	SWITCH HANDLE CONTROL ENC 2426	5701715278
15	980608	4	WASHER FLT #6 PLAIN	5701715207
16	962330	4	SCREW 6-32 X 3/8 PAN HD	5701715257
17	40786K	1	KEY SPARE FOCUS	
18	40786A	1	SWITCH KEY HOBBS FOCUS WB	L
19	40748A	1	SWITCH PUSHBUTTON GREEN	L
20	40880A	1	DISPLAY LCD	L
21	40758A	1	SWITCH MOMENTARY PUSHBUTTON	L
22	40168B	2	SWITCH ROCKER DPDT WATERSHED	L 5701715305
23	40747A	1	SWITCH MAINTAIN ROCKER	L
24	962957	4	SCREW #10-16 X 1/2 HI-LO	5701715205
25	70885A	1	LABEL CONSOLE FOCUS L	
26	34264A	1	GASKET 32 DLX	5701715278
27	61597A	1	PANEL CONTROL FOCUS L	L
28	41431B	2	BREAKER CIRCUIT 35A SCR.90 DEG	5701715344
29	41423B	1	BREAKER CIRCUIT 5A QD .25 STR	5701715349
30	85391A	4	SCREW 1/4-20 X 5/8 PN SY PH	5701715197
31	980614	3	WASHER LK 1/4 EXT TOOTH PLTD	5701715279
32	920208	3	NUT HEX 1/4-20 PLTD	5701715201
33	962968	2	SCREW 10-24 X 1/2 PAN	S
34	40749A	1	SWITCH MOMENTARY ROCKER	S
35	47381B	1	SWITCH DPDT 15A 3/4 HP NL RKR	S 5701715214
36	55502A	1	KNOB-SPEED CONTROL+TEMP CONTRL	S 5701715166
37	70852A	1	LABEL CONSOLE FOCUS S	S
38	61588A	1	PANEL CONTROL	S
39	41448B	1	BREAKER CIRCUIT 30A SCR.90 DEG	S 5701715338
40	41422B	1	BREAKER CIRCUIT 25A SCR.90 DEG	S 5701715342
41	44308B	1	MODULATOR SOL.FLOW ENCORE2426	S 5701715279
42	920296	2	NUT 10-24 ELASTIC STOP	S 5701715201

Control panel

SCRUBTEC 770 S/L, 784 S/L, 795 S/L

17-06-2008

Part List ID
SCRUBTEC77010

15

Pos	Part no.	Qty	Description		EAN
43	40898B	1	METER BATTERY CHARGER	S	
44	912226	1	METER HOUR- 12V DC	S	5701715201
NI	40786S	1	SPACER KEY SWITCH FOCUS	L	

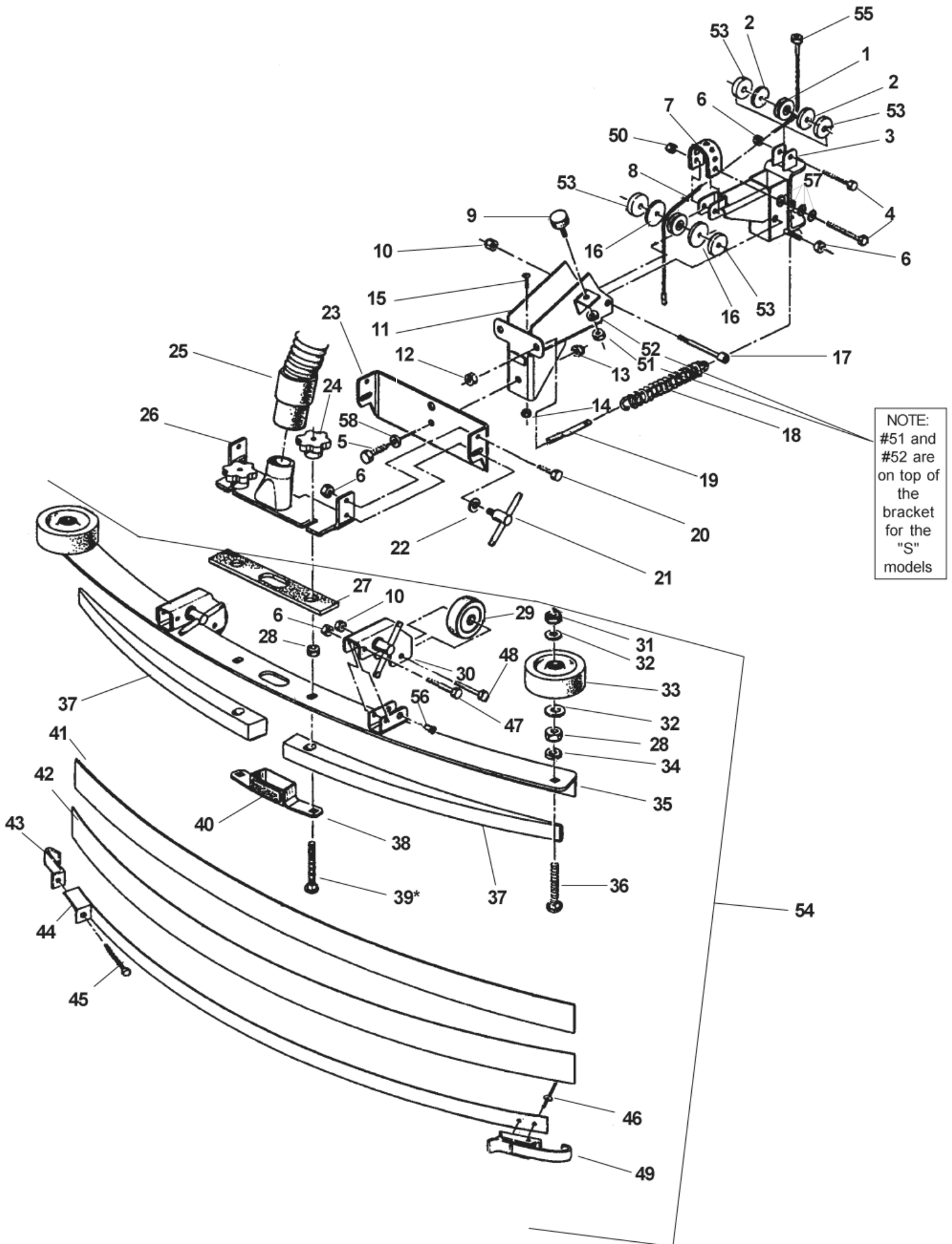
Squeegee swing arm

SCRUBTEC 770 S/L, 784 S/L, 795 S/L

17-06-2008

Part List ID
SCRUBTEC77012

16



NOTE:
#51 and
#52 are
on top of
the
bracket
for the
"S"
models

Squeegee swing arm

SCRUBTEC 770 S/L, 784 S/L, 795 S/L

17-06-2008

Part List ID
SCRUBTEC77012

17

Pos	Part no.	Qty	Description	EAN	
1	57275A	2	PULLEY SQUEG.CABLE ENCORE 33	5701715216	
2	87623A	2	WASHER FLT 1.25X.26X.13 NYLON	5701715341	
3	60452A	1	ARM WELDMENT FRONT ENCORE 33	5701715315	
4	86004A	2	SCREW 1/4-20X1 1/2 HEX FULTHRD	5701715213	
5	85730A	1	SCREW 3/8 -16X1&1/4 HEX HD. SS	5701715278	
6	81104A	6	NUT 1/4-20 ESNA TYPE SS	5701715194	
7	38021A	1	STRAP HOSE 3.38" ENCORE	5701715324	
8	61679A	1	CABLE ASM LOWER ENCORE 33	5701715216	
9	51613A	1	BUMPER SQUEG ENCORE 28-38	5701715216	
10	920110	3	NUT LK 5/16-18 REG PLTD	5701715201	
11	60332A	1	ARM WLDMT REAR LARGE ENCORE	5701715283	
12	920256	2	NUT-5/16-18 HEX	5701715143	
13	81105A	1	NUT 3/8-16 ESNA TYPE SS	5701715194	
14	920296	1	NUT 10-24 ELASTIC STOP	5701715201	
15	962798	1	SCREW 10-24X 1/2 PN SS PH	5701715205	
16	87624A	2	WASHER FLT 1.50X.26X.13 NYLON	5701715389	
17	80015A	1	SCREW SHOULDER 3/8 X 2	5701715194	
18	53423A	2	SPRING SQUG.PRES. ENCORE 28-38	5701715283	
19	68016A	2	STUD SQUEEGEE ENCORE 28-38	5701715283	
20	170915	2	SCREW 1/4-20 X 3/4 HX HD SS	5701715152	
21	64905A	3	HANDLE ASM "T" ENCORE	5701715216	
22	980651	1	WASHER 5/16 SAE FLAT	5701715207	
23	60678C	1	BRACKET PIVOT LARGE ENCORE	5701715351	
24	25201A	2	KNOB SQUEEGEE CLAMPING	5701715129	
25	35192A	1	HOSE RECOVERY EXT-2100	5701715213	
26	61267A	1	BRACKET WELDMENT TUBE ENCORE	5701715216	
27	34260B	1	GASKET SQUEEGEE VISION 26/32	5701715130	
28	81301A	4	NUT 3/8-16 JAM SS	5701715130	
29	59971A	2	WHEEL SQUEEGEE ENCORE 28-38	5701715216	
30	65975A	2	MOUNT SQUEG.WHEEL PLTD ENCORE	5701715216	
31	920248	2	NUT 3/8-16 ESNA LIGHT	5701715201	
32	980645	4	WASHER 3/8 FLAT SAE	5701715207	
33	59950A	2	WHEEL GUIDE 26/32 VISION	5701715134	
34	980638	2	LOCKWASHER 3/8 LT SPRING TYPE	5701715207	
35	69636A	1	SQUEEGEE WLD. ENCORE 29"ACC.	28	5701715346
35	69673A	1	SQUEEGEE WLDMT ENCORE 28	28	5701715282
35	69674A	1	SQUEEGEE WLDMT ENCORE 33	33	5701715253
35	69675A	1	SQUEEGEE WLDMT ENCORE 38	38	5701715300
36	85610A	2	SCREW .375-16 X 2.50 PN PH SS		5701715216
37	38710A	2	SPACER SQUEEGEE VISION 26	28	5701715159
38	38711A	2	SPACER SQUEEGEE 40"	33	5701715159
38	38713A	2	SPACER SQUEEGEE VISION 26	28	5701715159
38	38715A	2	SPACER SQUEEGEE VISION 38	38	5701715272

Squeegee swing arm

SCRUBTEC 770 S/L, 784 S/L, 795 S/L

17-06-2008

Part List ID
SCRUBTEC77012

18

Pos	Part no.	Qty	Description		EAN
38	62712A	1	DUCT SQUEEGEE INLET VISION 2		5701715170
39	80011A	2	SCR 3/8 -16X3 CR SS		5701715130
40	37016A	1	PAD SQUEEGEE GRIP AUTOSCRUB		5701715158
41	30914A	1	BLADE INNER RUBBER VISION 26	28	5701715130
41	30915A	1	BLADE INNER RUBBER VISION 32	33	5701715130
41	30930A	1	BLADE INNER RUBBER VISION 21	28	5701715130
41	30934A	1	BLADE INNER RUBBER VISION 38	38	5701715130
42	30912A	1	BLADE OUTER GUM RUBBER VISION	28	5701715130
42	30913A	1	BLADE OUTER GUM RUBBER VIS-32	33	5701715130
42	30931A	1	BLADE OUTER GUM RUBBER VISION	28	5701715130
42	30935A	1	BLADE OUTER GUM RUBBER VISION	38	5701715130
43	62421A	1	CLAMP END SQUEEGEE VISION 26		5701715143
44	62441A	1	CLAMP WLDMNT SQG. ENC. 28 ACC	28	
44	62442A	1	CLAMP WLDMNT SQUG. ENCORE 28	28	5701715258
44	62443A	1	CLAMP WLDMNT SQUG. ENCORE 33	33	5701715319
44	62444A	1	CLAMP WLDMNT SQUG. ENCORE 38	38	5701715257
45	86004A	1	SCREW 1/4-20X1 1/2 HEX FULTHRD		5701715213
46	170932	2	RIVET-POP 3/16" SS 1/8"-1/4"		5701715215
47	85702A	2	SCR 1/4 -20X1&3/4 HX ST CAP		5701715197
48	85816A	2	SCREW 5/16-18 X 1 3/4 HX HD		5701715197
49	55722A	1	LATCH SQUEEG.STRAP ENCORE 28-38		5701715216
50	81217A	1	NUT 1/4-20 X .218H NYLOCK		5701715194
51	920208	1	NUT HEX 1/4-20 PLTD		5701715201
52	980657	1	WASHER 1/4 LOCK STD		5701715207
53	87625A	4	WASHER FLT 1.25X.26X.03 NYLON		5701715341
54	18815K	1	SQUEEGEE ASM. ENCORE 28 39"	28	5701715215
54	18816K	1	SQUEEGEE ASM. ENCORE 33	33	5701715215
54	18817K	1	SQUEEGEE ASM. ENCORE 38	38	5701715216
54	18818A	1	SQU.ASM 29"WO/TOOL ENC 20&17	28	5701715213
55	81303A	1	NUT HEX JAM 1/4-28		5701715216
56	54766A	2	INSERT THREADED 5/16-24 ENCORE		5701715304
57	87026A	4	WASHER .250 FLAT SS		5701715198
58	87031A	1	WASHER FLAT 3/8 S.S.		5701715261

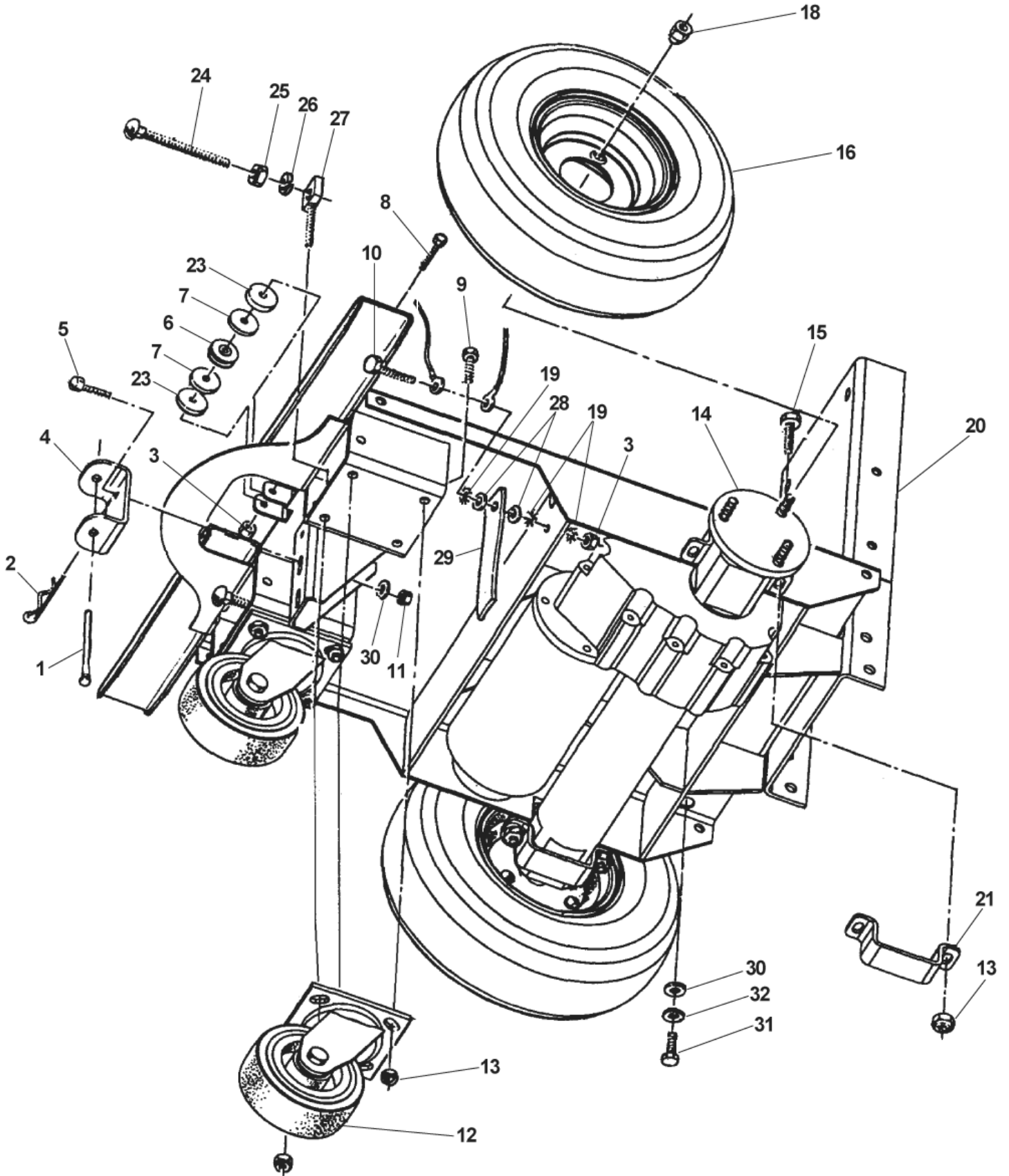
Traverse system

SCRUBTEC 770 S/L, 784 S/L, 795 S/L

17-06-2008

Part List ID
SCRUBTEC77014

19



Traverse system

SCRUBTEC 770 S/L, 784 S/L, 795 S/L

17-06-2008

Part List ID
SCRUBTEC77014

20

Pos	Part no.	Qty	Description	EAN
-	30039A	1	TUBE INNER FOR 59969A	5701715277
1	66531A	1	PIN SWING ARM 32 DLX	5701715172
2	836711	1	HAIRPIN FOR 8.0MM CLEVIS	5701715196
3	81104A	2	NUT 1/4-20 ESNA TYPE SS	5701715194
4	69877A	1	BRACKET SWING ENCORE 33	5701715216
5	85811A	2	BOLT 5/16-18 X 3/4 HX HD	5701715197
6	57275A	1	PULLEY SQUEG.CABLE ENCORE 33	5701715216
7	87623A	2	WASHER FLT 1.25X.26X.13 NYLON	5701715341
8	86004A	1	SCREW 1/4-20X1 1/2 HEX FULTHRD	5701715213
9	962288	6	SCR 3/8 -16X1 HX ST CAP	
10	85700A	1	SCR 1/4 -20X1 HX ST CAP	5701715197
11	920110	2	NUT LK 5/16-18 REG PLTD	5701715201
12	899769	2	CASTER ASM TB24/32A SER II	5701715139
13	81105A	12	NUT 3/8-16 ESNA TYPE SS	5701715194
14	59116E	1	TRANSAXLE W/BRAKE	
15	85730A	4	SCREW 3/8 -16X1&1/4 HEX HD. SS	5701715278
16	59955A	2	WHEEL ASM. NON-MARKING W/FOAM	5701715168
16	59969A	2	WHEEL ASM NON-MARKING WITHSEAL	5701715213
18	81221A	6	NUT LUG .500-20 HX ZC	5701715216
19	980614	3	WASHER LK 1/4 EXT TOOTH PLTD	5701715279
20	61594A	1	FRAME WLD. MAIN FOCUS	
21	65963A	2	MOUNT T/A PNTD ENCORE 28-38	
23	87625A	2	WASHER FLT 1.25X.26X.03 NYLON	5701715341
24	80011A	2	SCR 3/8 -16X3 CR SS	5701715130
25	81207A	2	NUT HEX 3/8-16 SS	5701715225
26	170883	2	WASHER LK 3/8 REG PLTD	
27	58419A	2	STUD 3/8-16 MALEX3/8-16 FEMALE	
28	980205	2	WASHER .312 ID/1.06 OD/.075THK	5701715206
29	69639A	1	STATIC STRAP FUSION	5701715278
30	980645	6	WASHER 3/8 FLAT SAE	5701715207
31	962244	4	SCREW 3/8-16 X 3/4 HH CAP	5701715278
32	980638	4	LOCKWASHER 3/8 LT SPRING TYPE	5701715207
NI	32417B	2	COVER WHEEL BLACK ENCORE 28-32	5701715283

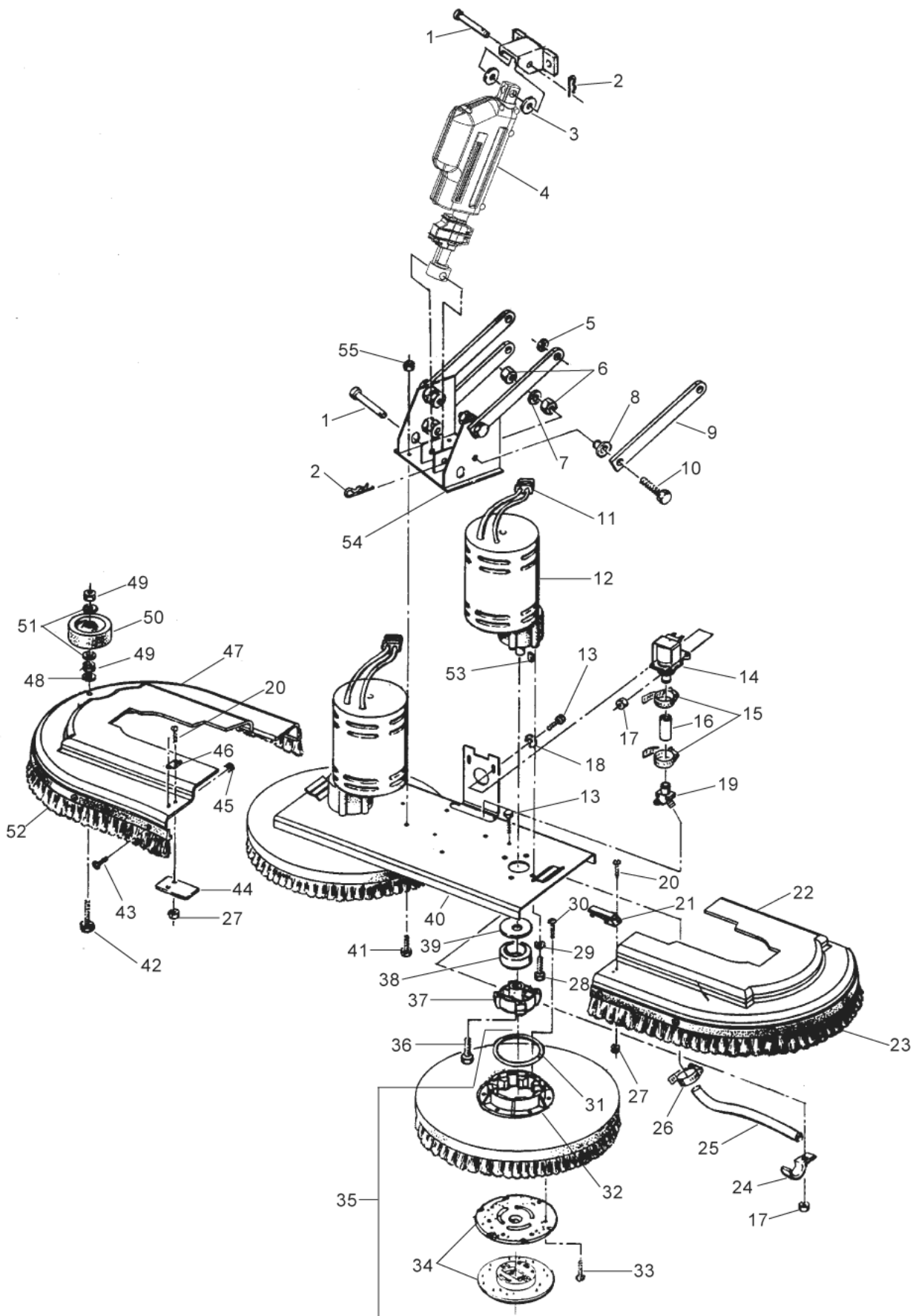
Brush head

SCRUBTEC 770 S/L, 784 S/L, 795 S/L

17-06-2008

Part List ID
SCRUBTEC77016

21



Brush head

SCRUBTEC 770 S/L, 784 S/L, 795 S/L

17-06-2008

Part List ID
SCRUBTEC77016

22

Pos	Part no.	Qty	Description	EAN
1	82501A	2	PIN CLEVIS 3200 STD SII	5701715195
2	766780	2	PIN-HANDLE LOCK	5701715187
3	38723A	2	WASHER FLT 1.00X.632X.185 NYLO	5701715345
4	52497A	1	ACTUATOR ENCORE XP	S SERIES
4	52499A	1	ACTUATOR ENCORE W/POT	L SERIES
5	980673	4	WASHER FLT 1/2 ID X 7/8 OD	5701715207
6	920278	16	NUT 1/2-20 JAM SS	5701715240
7	980626	8	LOCKWASHER LIGHT SERIES 1/2	5701715207
8	67705B	8	BEARING SLEEVE 32 AUTO	5701715173
9	63032A	4	BAR LINKAGE IS 66	5701715170
10	85838A	8	SCREW 1/2-20 X 1.50 HC ZC	5701715255
11	40645A	4	CONNECTOR HOUSING PP75 BLACK	5701715330
11	41601A	4	CONNECTOR-CONTACT	5701715160
12	45036B	2	MOTOR BRUSH 1.0HP 36V/DC	5701715274
13	170915	4	SCREW 1/4-20 X 3/4 HX HD SS	5701715152
14	48703A	1	VALVE ELECTRIC ENCORE 33	5701715213
15	50248A	2	CLAMP 3/8 HOSE	5701715298
16	30455A	1	HOSE CLEAR VINYL ENCORE 28-38	5701715345
17	81104A	5	NUT 1/4-20 ESNA TYPE SS	5701715194
18	87007A	2	WASHER-CONTROL SHAFT ECCENTRIC	5701715198
19	38014A	1	SPLITTER SOLUTION ENCORE	5701715216
20	962992	4	SCREW 8-32X 5/8 PN ST PH	5701715205
21	55721A	1	LATCH BRSH.HSG. ENCORE 28-38	5701715261
22	30355A	1	HOUSING BRUSH LH A.L.38	38
22	30574A	1	BRUSH HSG LH FOCUS 28"	28
22	30583A	1	BRUSH HSG LH FOCUS 34"	33
23	38246A	1	SKIRT BRSH HSG LH ENCORE 38	38
24	782002	2	CLAMP-MANIFOLD RM-10	5701715187
25	30453A	2	HOSE CLEAR VINYL ENCORE	5701715216
26	722021	2	CLAMP HOSE #4	5701715186
27	81109A	4	NUT HEX ELASTIC LOCK SS 8-32	5701715194
28	962244	8	SCREW 3/8-16 X 3/4 HH CAP	5701715278
29	980638	8	LOCKWASHER 3/8 LT SPRING TYPE	5701715207
30	962495	6	SCREW 1/4-20 X 1 PAN HEAD	5701715204
31	838301	2	SPRING-BRUSH HOLDER	5701715130
32	833802	2	GIMBAL-BRUSH	5701715130
33	962737	6	SCREW #8X5/8 PAN HD. SS	5701715215
34	56941A	2	RETAINER PAD CENTER-LOK	5701715213
35	11424B	2	BRUSH ASM. POLYPROPLENE 17"OD	33
35	11425B	2	BRUSH ASM. GRIT HEAVY 17" OD	33
35	11426B	2	BRUSH ASM. GRIT HEAVY 14" O	28
35	11427B	2	BRUSH ASM. POLYPROPLENE 14"OD	28
35	11433B	2	BRUSH ASM. GRIT HEAVY 19" O	38

Brush head

SCRUBTEC 770 S/L, 784 S/L, 795 S/L

17-06-2008

Part List ID
SCRUBTEC77016

23

Pos	Part no.	Qty	Description		EAN
35	11434B	2	BRUSH ASM. POLYPROPLENE 19"OD	38	5701715129
35	17520C	2	PAD ASM. 17" VISION 32	33	5701715129
35	17521C	2	PAD ASM. 14"	28	5701715129
35	17524B	2	PAD ASM. 19" VISION 38	38	5701715133
36	962714	2	SCR 5/16-18X 3/4 SC ST NYLOK		5701715130
37	34400B	2	GIMBAL MOTOR 2000/2400 LEADERS		5701715130
38	61658A	2	COLLAR BRUSH DRIVER 26/32 VIS		5701715170
39	59856A	2	WASHER FLAT RUBBER 3/4 X 2 1/4		5701715188
40	61587A	1	PLATE WLD BRUSH FOCUS 34	33	
40	66232A	1	PLATE WELDMENT BRUSH ENC 28	28	5701715282
40	66234A	1	PLATE WELDMENT BRUSH ENC 38	38	5701715318
41	85811A	4	BOLT 5/16-18 X 3/4 HX HD		5701715197
42	85610A	1	SCREW .375-16 X 2.50 PN PH SS		5701715216
43	85616A	1	SCREW 10-32 X 5/8 PAN HD SS	38	5701715277
44	69186A	1	TAB LATCH BRUSH ENCORE 33		5701715216
45	82004A	12	NUT TEE 10-32 PLTD	38	5701715213
46	55451A	1	KEEPER BRSH.HSG. ENCORE 28-38		5701715216
47	30247A	1	BRUSH HSG RIGHT ENCORE 38	38	5701715319
47	30575A	1	BRUSH HSG RT. FOCUS	28	
47	30584A	1	BRUSH HSG RT FOCUS 34"	33	
48	980638	1	LOCKWASHER 3/8 LT SPRING TYPE		5701715207
49	920248	2	NUT 3/8-16 ESNA LIGHT		5701715201
50	59950A	1	WHEEL GUIDE 26/32 VISION		5701715134
51	980645	2	WASHER 3/8 FLAT SAE		5701715207
52	38247A	1	SKIRT BRSH HSG RH ENCORE 38	38	5701715216
53	915102	2	KEY 1/4X1/4X31/32 SQ		5701715201
54	65966A	1	MOUNT WELDMENT HEAD ENCORE 33		5701715282
55	920110	6	NUT LK 5/16-18 REG PLTD		5701715201
NI	77091A	2	LABEL MOVING PARTS 32 AUTO		5701715253

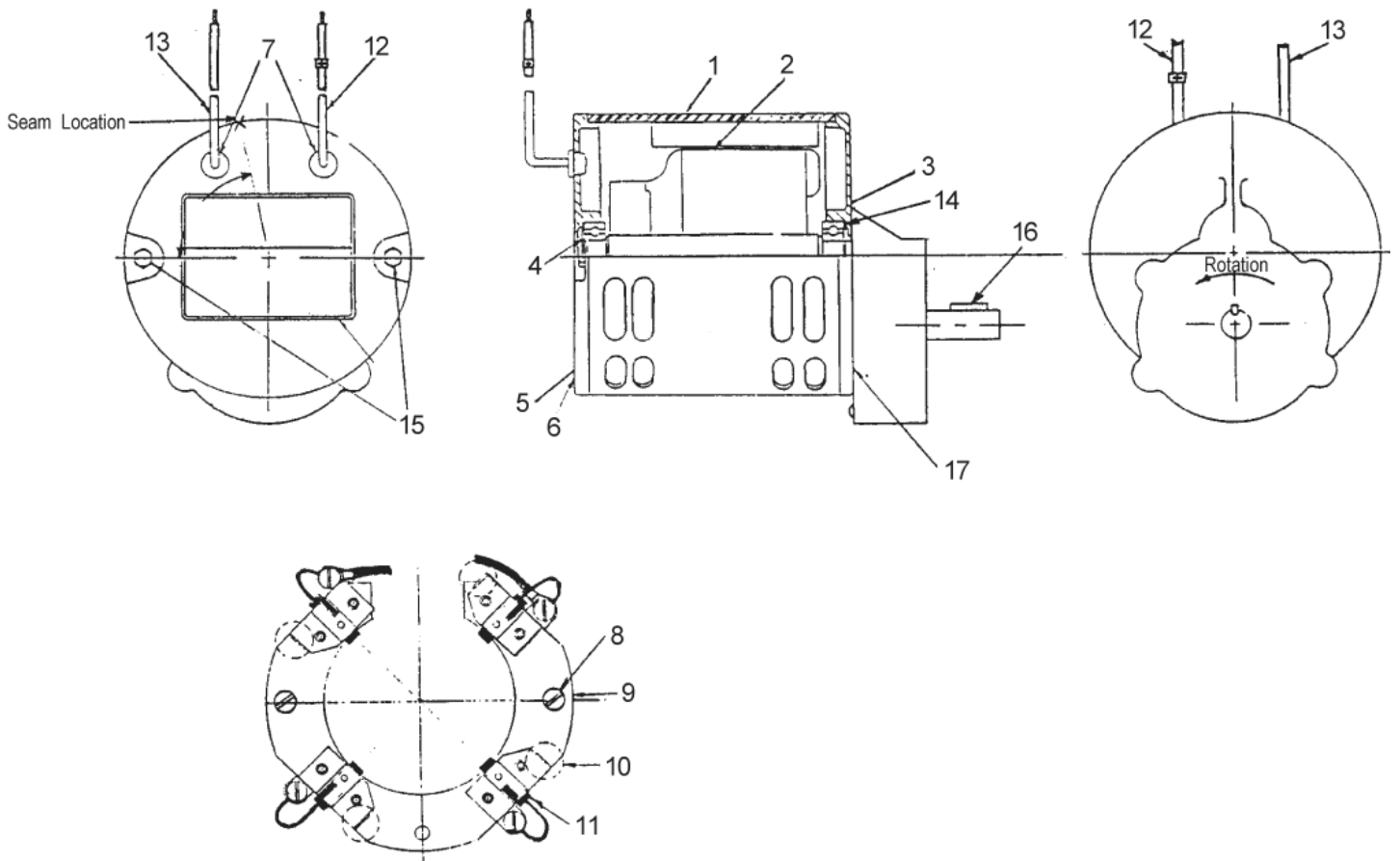
Brush motor

SCRUBTEC 770 S/L, 784 S/L, 795 S/L

17-06-2008

Part List ID
SCRUBTEC77018

24



Brush motor

SCRUBTEC 770 S/L, 784 S/L, 795 S/L

17-06-2008

Part List ID
SCRUBTEC77018

25

Pos	Part no.	Qty	Description	EAN
1	46734A	1	STATOR ASM.	5701715345
2	40318A	1	ARMATURE ASM.	
3	902654	1	BEARING BALL-6204	5701715199
4	902550	1	BEARING-6203 2RS	5701715130
5	51840A	1	COMMUTATOR ASM. BRACKET 1700/	5701715345
6	50520A	1	BRACKET COMMUTATOR 1700/2000	5701715403
7	56480A	2	STRAIN RELIEF MOTOR 1700/2000	5701715403
8	962546	2	SCREW 10-24X 1/2 PN ST TP23 PH	5701715204
9	50517A	1	BOARD ASM. BRUSH 1700/2000	5701715163
10	448396	4	SPRING-BRUSH #571001	5701715161
11	40826A	4	BRUSH ASM.CARBON V32I26I38I	5701715130
12	55657A	1	LEAD ASM POSTIVE FOR MTR# 44	5701715403
13	55656A	1	LEAD ASM NEGATIVE FOR MTR# 4	5701715403
14	59805A	1	WASHER-HELICAL	
15	50515A	2	BOLT THRU 1/4-20 X 7 5/8 HEX H	5701715403
16	80501A	1	KEY MTR SHAFT-3/16SQ X 1 1/4L	5701715194
17	54238A	1	GEARBOX ASSEMBLY 1700/2000	5701715166

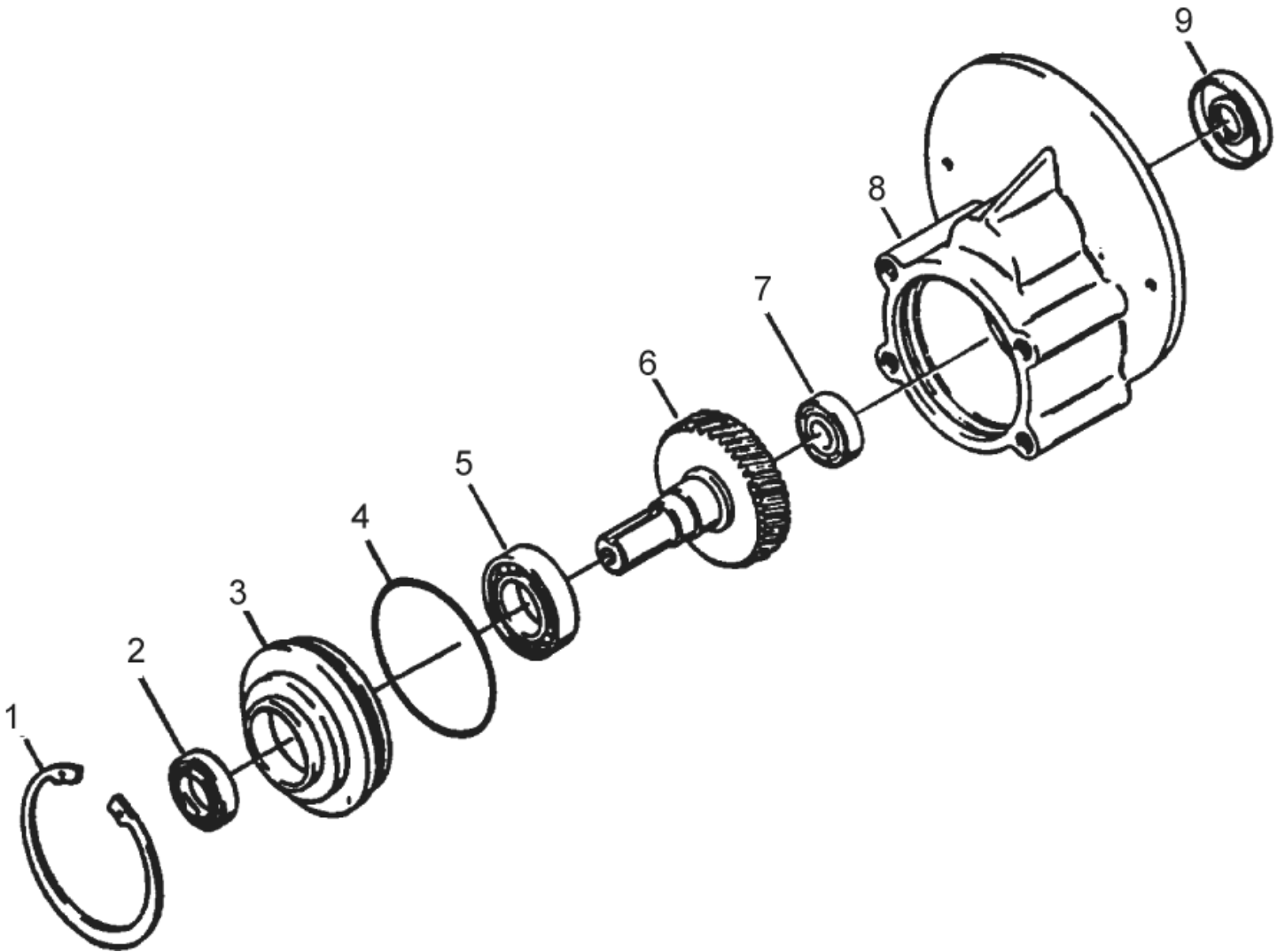
Gearbox

SCRUBTEC 770 S/L, 784 S/L, 795 S/L

17-06-2008

Part List ID
SCRUBTEC77020

26



Gearbox

SCRUBTEC 770 S/L, 784 S/L, 795 S/L

17-06-2008

Part List ID
SCRUBTEC77020

27

Pos	Part no.	Qty	Description	EAN
1	57846A	1	RING KIT SNAP INTERNAL GEARBOX	5701715167
2	507641	1	SEAL OIL-0.875 X 1.375 X 0.250	5701715163
3	52050A	1	CAP END GEAR BOX 1700/2000	5701715164
4	56668A	1	O-RING GEARBOX 1700/2000	5701715167
5	51176A	1	BEARING BALL 6005 SERIES	5701715163
6	58316A	1	SHAFT AND GEAR GEARBOX 1700/2	5701715168
7	902605	1	BRG 710 730 TB16 TB18	5701715199
8	54883A	1	HOUSING GEARBOX 1700/2000	5701715166
9	58144A	1	SEAL OIL 1.628 OD X .75 ID X	5701715167

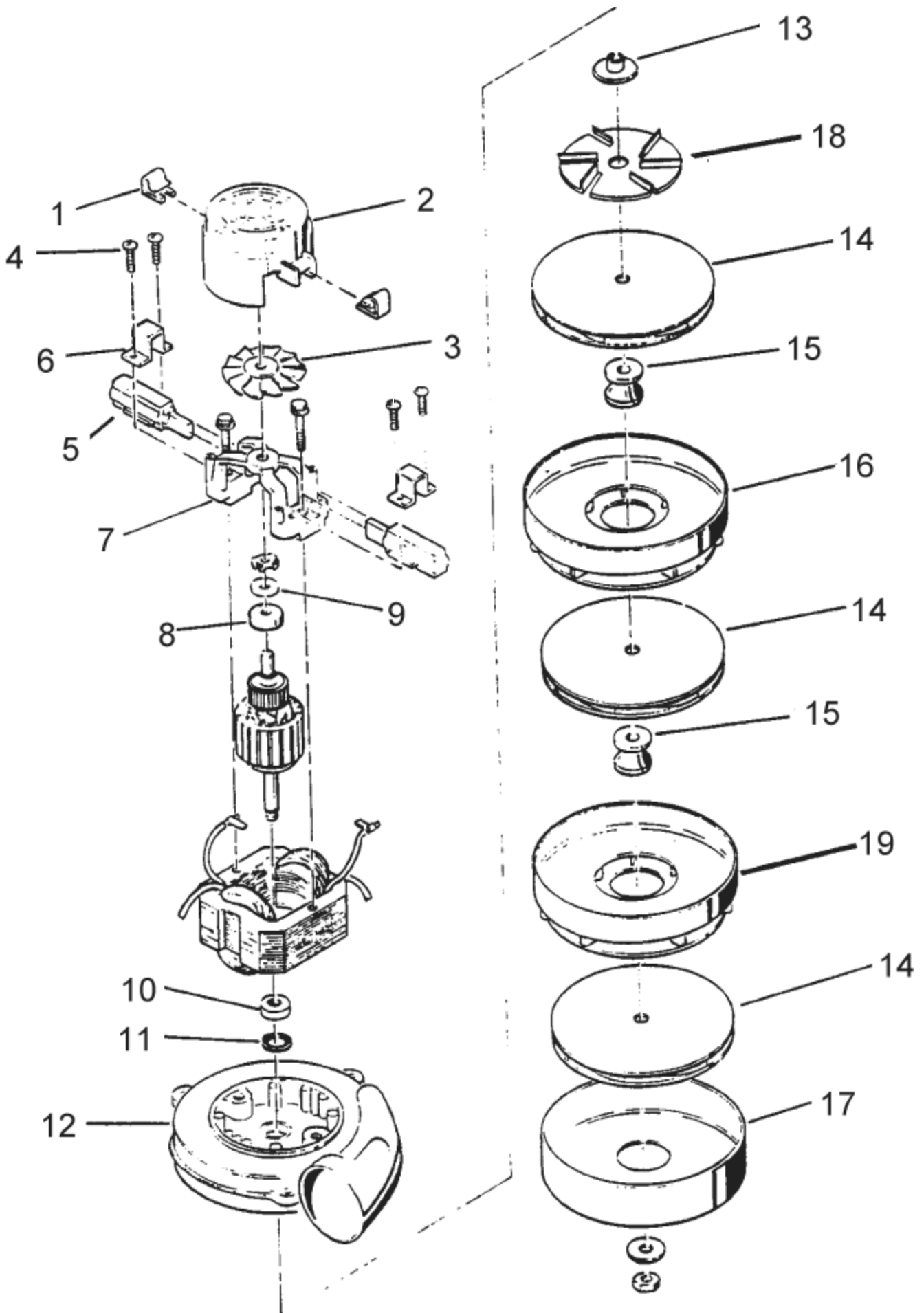
Vac motor

SCRUBTEC 770 S/L, 784 S/L, 795 S/L

17-06-2008

Part List ID
SCRUBTEC77022

28



Vac motor

SCRUBTEC 770 S/L, 784 S/L, 795 S/L

17-06-2008

Part List ID
SCRUBTEC77022

29

Pos	Part no.	Qty	Description	EAN
1	51913A	2	CLIP	5701715311
2	54809A	1	HOUSING	5701715166
3	53905A	1	FAN-VENT 685202-4	5701715166
4	85303A	4	SCREW 8-32 X 3/8 PN ST PH	
5	40830A	2	BRUSH CARBON GREEN HOUSING	5701715159
6	51914A	2	CLAMP	5701715301
7	50618A	1	BRACKET-END COMM.	
8	53100A	1	DISC	
9	902679	1	BEARING-BALL	5701715199
10	902648	1	BRG-BALL RADIAL DBL SEAL 608	5701715199
11	59803A	1	WASHER-NEOPRENE 685202-4	5701715168
12	50610A	1	BRACKET-END FAN FOR 835204 V	5701715163
13	58501A	1	SPACER	
14	53914A	3	FAN	5701715166
15	658201	2	SPACER	5701715171
16	53908A	1	FAN-STATIONARY	
17	658506	1	SHELL-FAN	
18	53995A	1	FAN, AIR SEAL	
19	53996A	1	FAN STATIONARY	

Imperial transaxle

SCRUBTEC 770 S/L, 784 S/L, 795 S/L

17-06-2008

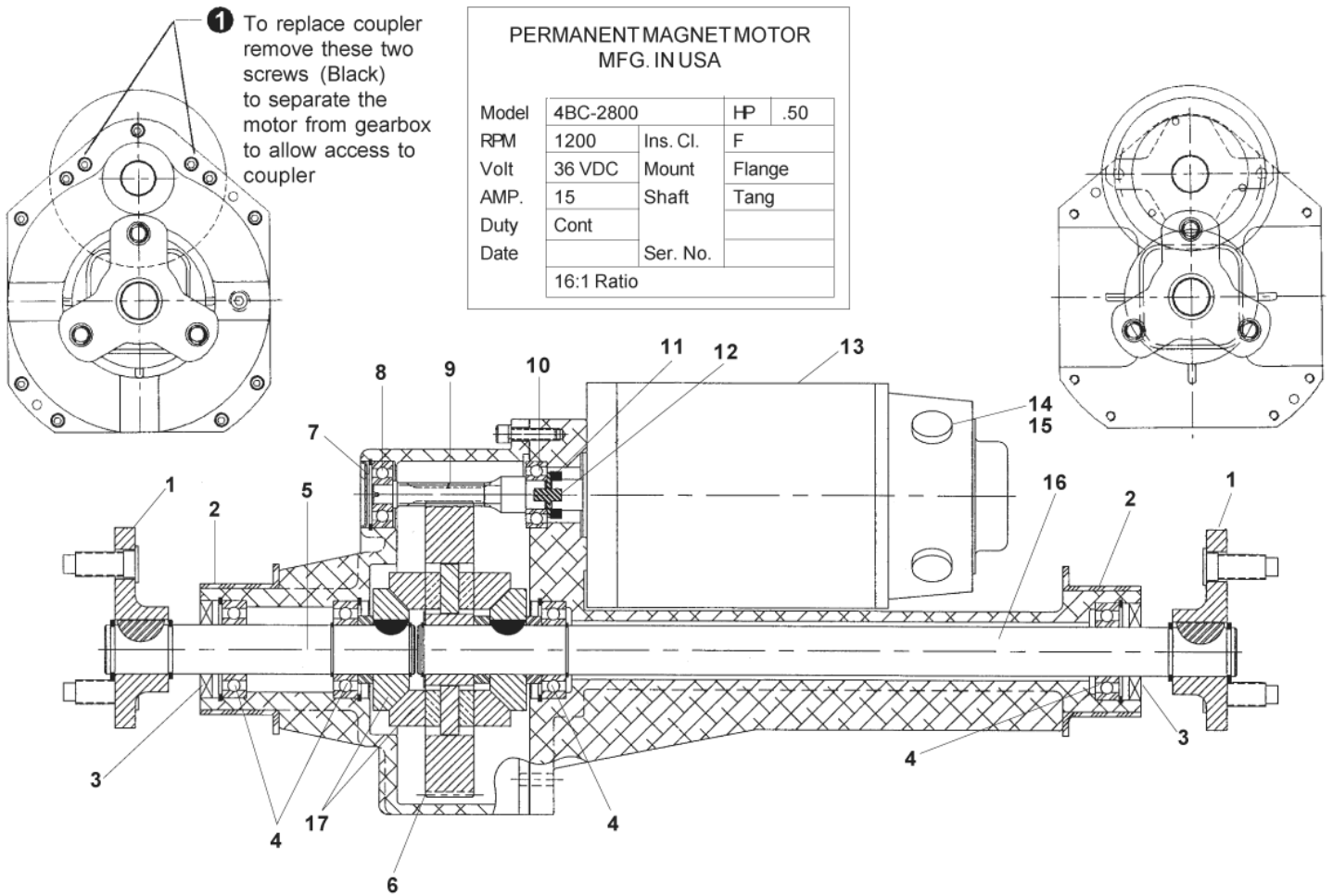
Part List ID
SCRUBTEC77024

30

① To replace coupler remove these two screws (Black) to separate the motor from gearbox to allow access to coupler

PERMANENT MAGNET MOTOR MFG. IN USA

Model	4BC-2800	HP	.50
RPM	1200	Ins. Cl.	F
Volt	36 VDC	Mount	Flange
AMP.	15	Shaft	Tang
Duty	Cont		
Date		Ser. No.	
16:1 Ratio			



Imperial transaxle

SCRUBTEC 770 S/L, 784 S/L, 795 S/L

17-06-2008

Part List ID
SCRUBTEC77024

31

Pos	Part no.	Qty	Description	EAN
1	10357A	2	WHEEL FLANGE KIT 59116A	5701715342
2	36508A	2	MOUNT RUBBER FOR 59116A	5701715368
3	53374A	2	SEAL OIL CR10124 LARGE ENCORE	5701715344
4	53375A	4	BEARING R16 SEALED LARGE ENC	5701715344
5	53376A	1	AXLE SHORT LARGE ENCORE	5701715344
6	53377A	1	GEAR OUTPUT LARGE ENCORE	
7	53378A	1	PLUG INPUT LARGE ENCORE	
8	53379A	1	BEARING 6300-ZZ LARGE ENCORE	5701715344
9	53380A	1	PINION LARGE ENCORE	5701715342
10	53381A	1	BEARING 6202-2RS LARGE ENCORE	5701715344
11	52663A	1	COUPLER SPACER FOR 59116A	5701715282
12	69195A	1	COUPLER TRANSAXLE FOR 59116A	5701715282
13	45048A	1	MOTOR TRANSAXLE FOR 59116A	5701715259
14	51720A	1	BRUSH CARBON 4 FOR 45048A	5701715272
15	30074A	4	CAP BRUSH	5701715304
15	53382A	4	CAP BRUSH EXT THD LARGE ENCO	
16	53383A	1	AXLE LONG LARGE ENCORE	5701715337
16	54282A	1	GEARBOX ASM TRANSAXLE W/O MTR.	5701715274
17	53435A	4	GEAR MILTER IMPERIAL	