

# ATTIX 40

---

Model:  
ATTIX 40-01/21



Part List US-English

26-08-2008

**Nilfisk**  
**ALTO**  
*Why Compromise*

[www.nilfisk-alto.com](http://www.nilfisk-alto.com)

# Table of Contents

ATTIX 40

<b>Cabinet Push Clean &amp; Basic &amp; XC</b>	<b>3</b>
<b>Filtersystem Push Clean &amp; Basic</b>	<b>5</b>
<b>Filtersystem XC</b>	<b>7</b>
<b>Motor Basic and Push Clean</b>	<b>9</b>
<b>Motor XC</b>	<b>11</b>
<b>ATTIX 40 Container</b>	<b>13</b>

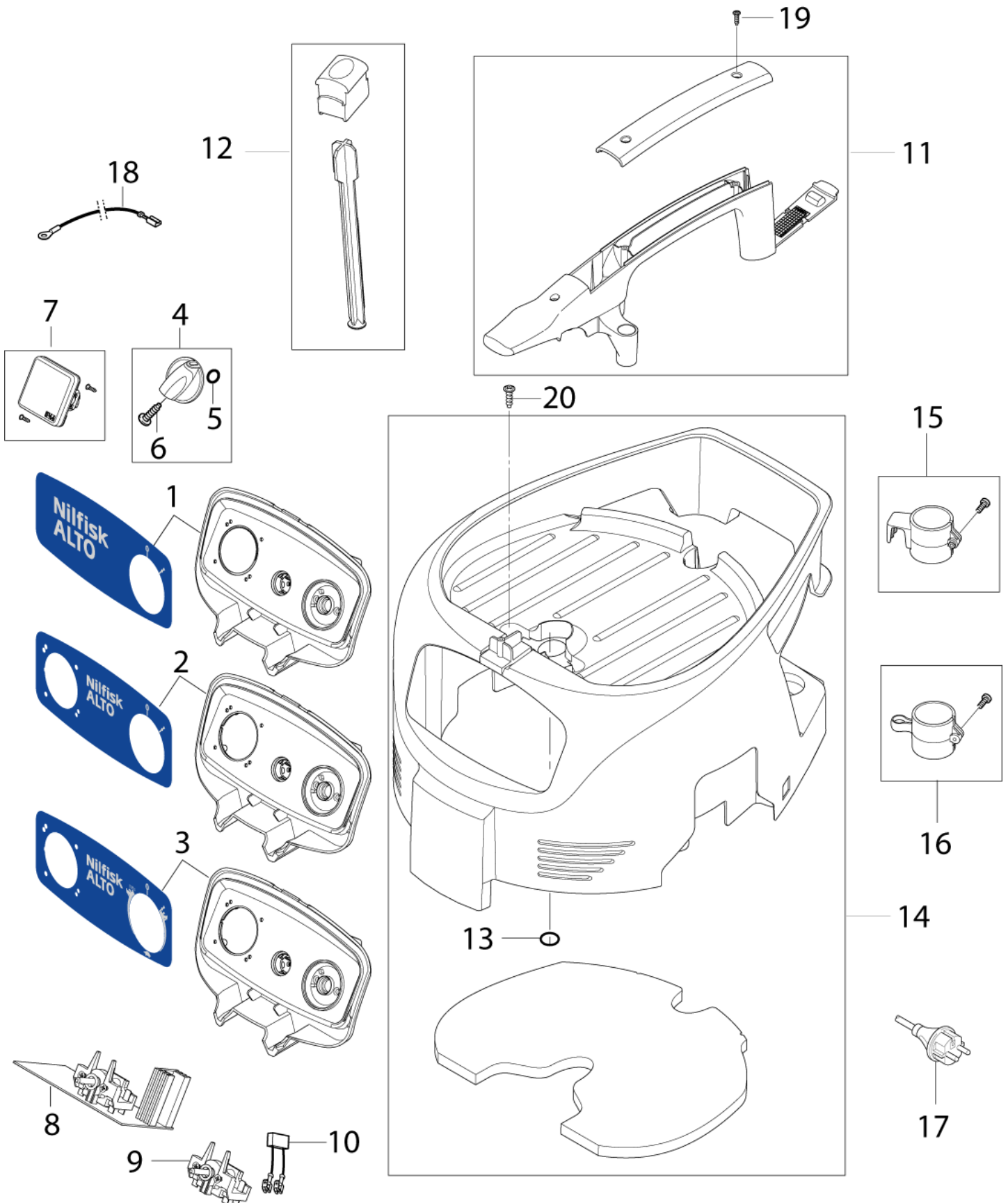
# Cabinet Push Clean & Basic & XC

ATTIX 40

26-08-2008

Part List ID  
ATTIX3002

3



# Cabinet Push Clean & Basic & XC

ATTIX 40

26-08-2008

Part List ID  
ATTIX3002

4

Pos	Part no.	Qty	Description	EAN
1	302004047	1	SWITCHBOX NILFISK-ALTO 01PC	4005337148
2	302004048	1	SWITCHBOX NILFISK-ALTO 11PC	4005337148
3	302004049	1	SWITCHBOX NILFISK-ALTO 21PC for Push clean and XC	4005337148
4	909100204	1	ROTARY KNOB Ø6X5 (BLUE)	4005337689
5	9868	1	O RING DIA 10X2,5	4005337098
6	32526	1	SHEET METAL SCREW	4005337325
7	107400057	1	SOCKET 16A/110V GB	4005337148
7	107400058	1	SOCKET 16A/250V GB	4005337148
7	107400059	1	SOCKET 16A/250V CH	4005337148
7	107400060	1	SOCKET 16A/250V DK	4005337148
7	302004034	1	SOCKET 16A/250V EU	4005337147
7	302004036	1	SOCKET 16A/250V FR	4005337147
8	302004011	1	AUTO ON-OFF SWITCH ELECTRONIC for -21 PC	4005337147
8	302004060	1	AUTO ON-OFF SWITCH E.SOFTSTART for -11 PC & -01 PC with softstart	4005337148
9	302004035	1	ON-OFF SWITCH for -01 PC without softstart	4005337147
10	48338	1	ANTI-INTERFERENCE CAPACITOR 0,22µF	4005337483
11	107400062	1	HANDLE for Push clean	4005337148
11	302004050	1	HANDLE Basic/XC	4005337148
12	302004051	1	FILTER DEDUSTER Only Push Clean models	4005337148
13	302004061	1	O-RING 25X2 NBR 70	4005337148
14	107400061	1	COVER BLACK XC BASIC	4005337148
14	302004046	1	COVER BLACK PC	4005337148
15	302004027	1	TUBE HOLDER HOOK	4005337147
16	107400064	1	TUBE HOLDER SNAP	4005337148
17	302004014	1	CORD H07RN-F2X1X8,05 CEE7 EU	4005337147
17	302004037	1	CORD H05RR-F 3G1,5 CEE7/VII EU	4005337147
17	302004038	1	POWER CORD H07RN-F2X1X8,05	4005337147
17	302004039	1	CORD H05RR-F3GX0,75AS3112 A UNZ	4005337147
17	302004040	1	CORD SJTW-A AWG16/2 JP	4005337148
19	302004032	1	SCREW 3,5X18	4005337147
20	302004029	1	SCREW 5X18	4005337147

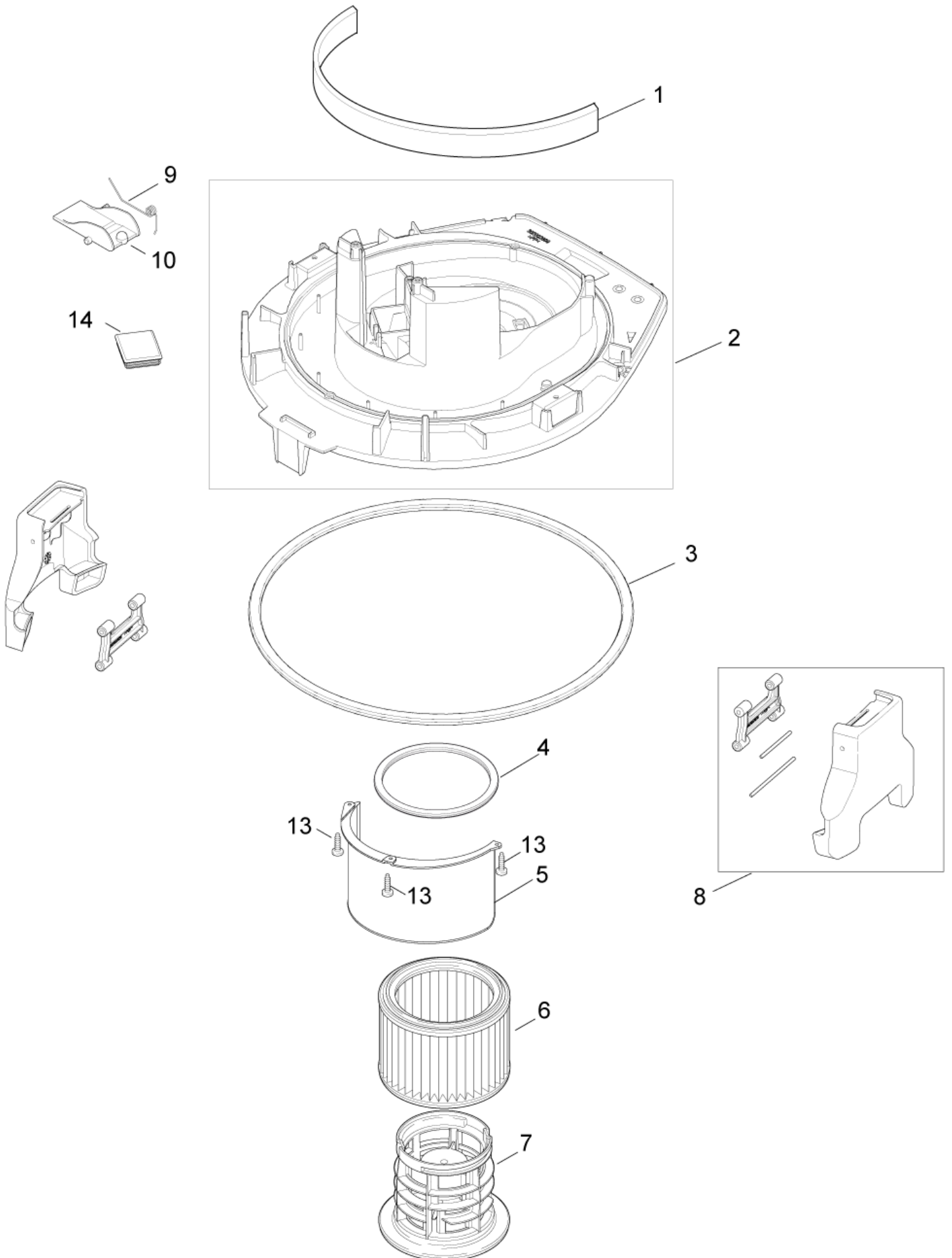
# Filtersystem Push Clean & Basic

ATTIX 40

26-08-2008

Part List ID  
ATTIX3003

5



# Filtersystem Push Clean & Basic

ATTIX 40

26-08-2008

Part List ID  
ATTIX3003

6

Pos	Part no.	Qty	Description	EAN
1	302004010	1	SOUND INSULATION FRONT	4005337147
2	302004007	1	BASEPLATE PC	4005337147
3	302004008	1	GASKET FOR CONTAINER	4005337147
4	302000460	1	GASKET FILTER	4005337136
5	302004016	1	DEFLECTOR	4005337147
6	302000461	1	FILTER ELEMENT Ø185X140 PET	4005337682
7	302000472	1	FILTER SUPPORT CAGE ATTIX PP	4005337682
8	302004005	2	CONTAINER CLAMP	4005337147
9	909100083	1	TORSION SPRING D0,9X18X45 INOX	4005337679
10	302000344	1	FLAP 79X53X25 ATTIX 3	4005337674
13	302004029	1	SCREW 5X18	4005337147
14	302004058	1	PLUG FOR BASIC	4005337148



# Filtersystem XC

ATTIX 40

26-08-2008

Part List ID  
ATTIX3004

8

Pos	Part no.	Qty	Description	EAN
1	302004010	1	SOUND INSULATION FRONT	4005337147
3	302004029	9	SCREW 5X18	4005337147
5	302004008	1	GASKET FOR CONTAINER	4005337147
9	302004005	2	CONTAINER CLAMP	4005337147



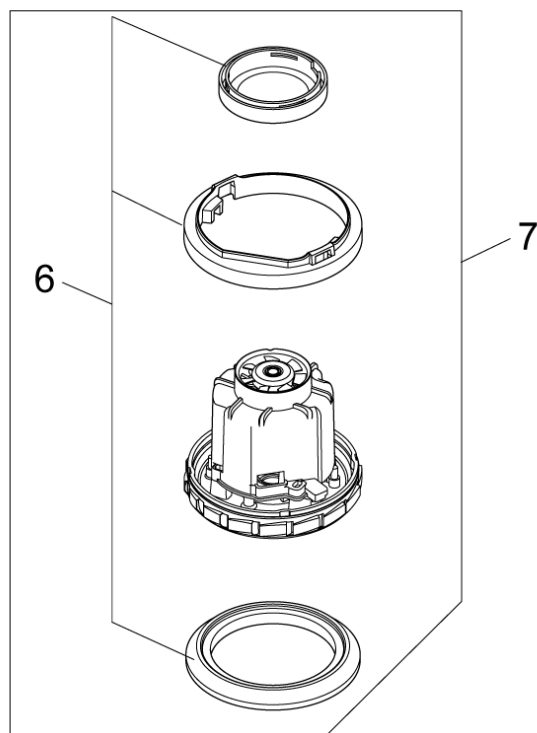
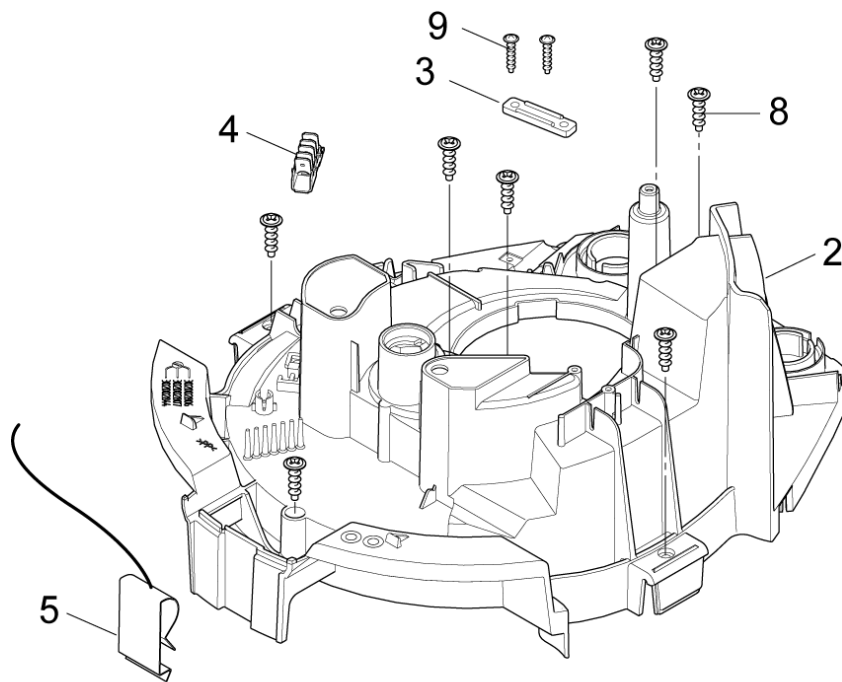
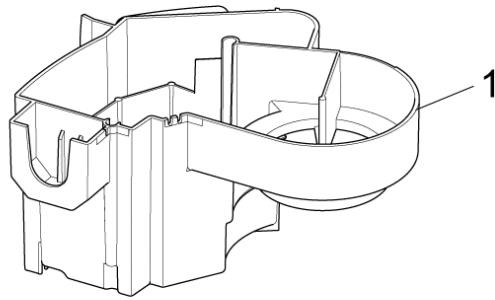
# Motor Basic and Push Clean

ATTIX 40

26-08-2008

Part List ID  
ATTIX3005

9



# Motor Basic and Push Clean

ATTIX 40

26-08-2008

Part List ID  
ATTIX3005

10

Pos	Part no.	Qty	Description	EAN
1	302004015	1	AIRGUIDE	4005337147
2	302004009	1	CLAMPINGPLATE PC	4005337147
3	302004030	1	STRAP FOR CABLE	4005337147
4	302004031	1	DISTRIBUTION STRIP 6-POL 16A	4005337147
5	302004023	1	CONTACT SPRING	4005337147
6	302003385	1	SEALING KIT "R"	4005337136
7	302003384	1	TURBINE KIT 1200 230	4005337136
7	302004006	1	MOTOR 1200W/100V JP W.GASKET	4005337147
8	302004029	1	SCREW 5X18	4005337147
9	302004032	1	SCREW 3,5X18	4005337147
10	302004045	1	SOUND INSULATION OUTLET	4005337148

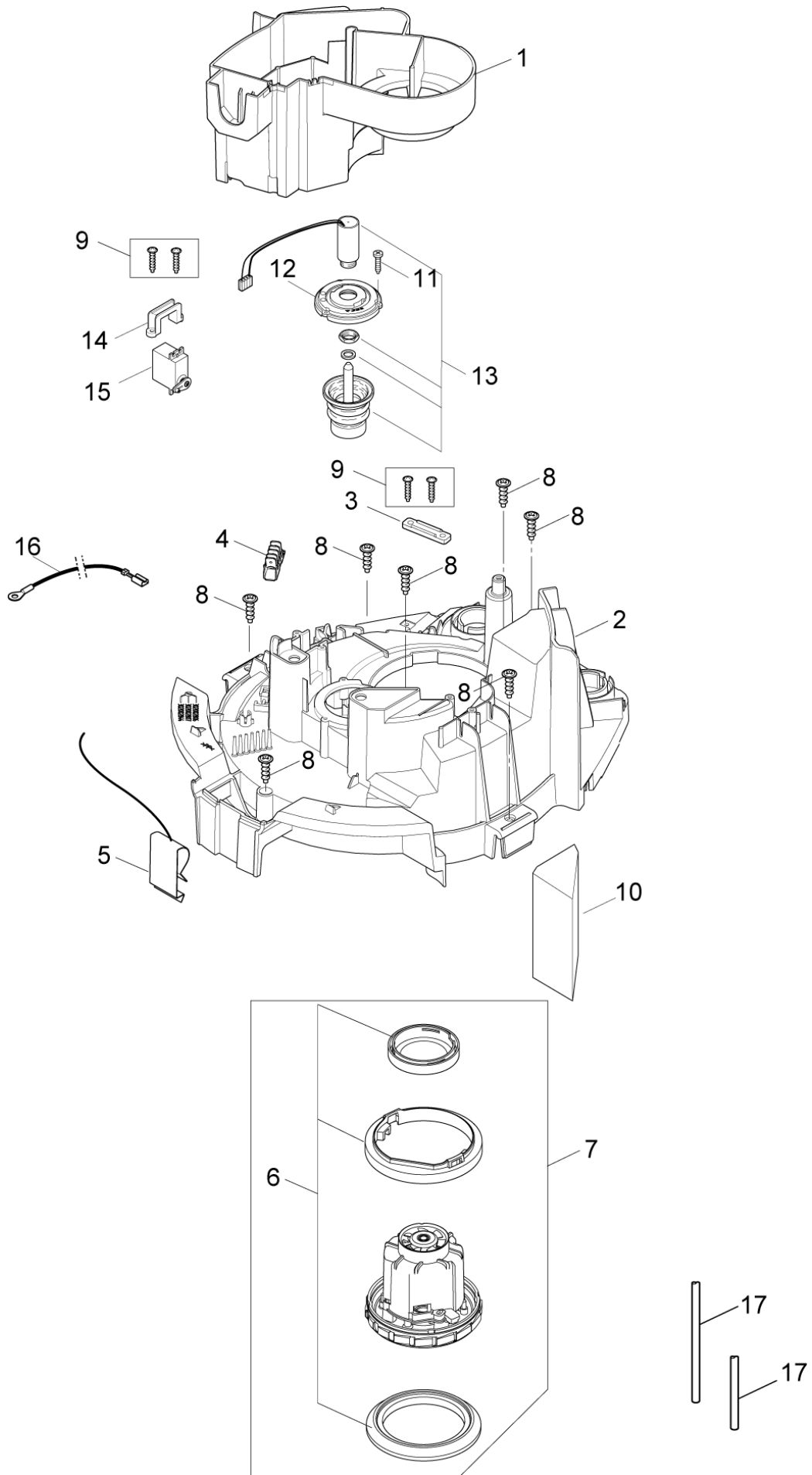
# Motor XC

ATTIX 40

26-08-2008

Part List ID  
ATTIX3007

11



# Motor XC

ATTIX 40

26-08-2008

Part List ID  
ATTIX3007

12

Pos	Part no.	Qty	Description	EAN
1	302004015	1	AIRGUIDE	4005337147
3	302004030	1	STRAP FOR CABLE	4005337147
4	302004031	1	DISTRIBUTION STRIP 6-POL 16A	4005337147
5	302004023	1	CONTACT SPRING	4005337147
6	302003385	1	SEALING KIT "R"	4005337136
7	302003384	1	TURBINE KIT 1200 230	4005337136
7	302004006	1	MOTOR 1200W/100V JP W.GASKET	4005337147
8	302004029	1	SCREW 5X18	4005337147
9	302004032	1	SCREW 3,5X18	4005337147
10	302004045	1	SOUND INSULATION OUTLET	4005337148
11	666666	3	NOTE COMMENT	attix9 5701715456

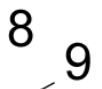
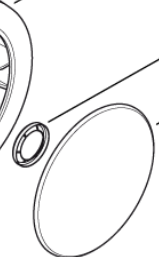
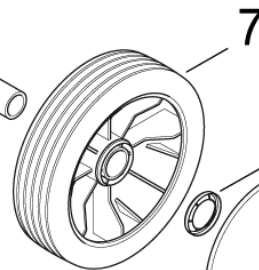
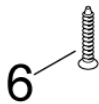
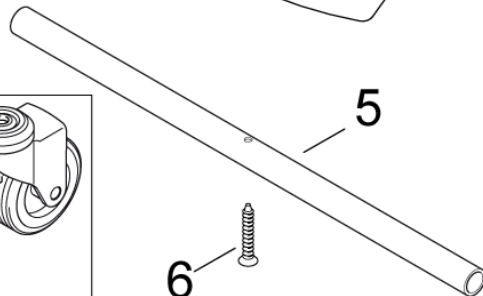
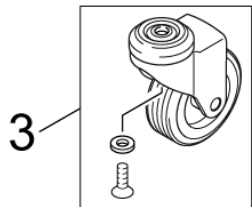
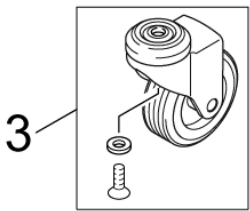
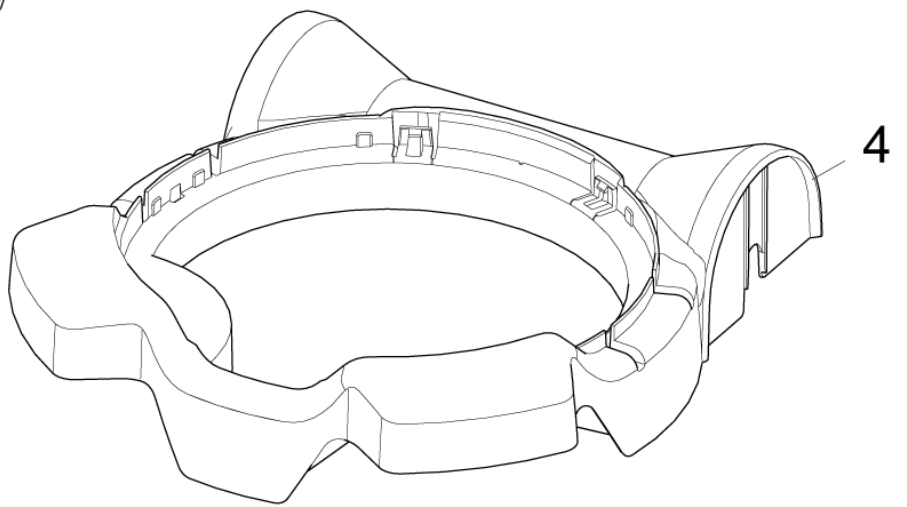
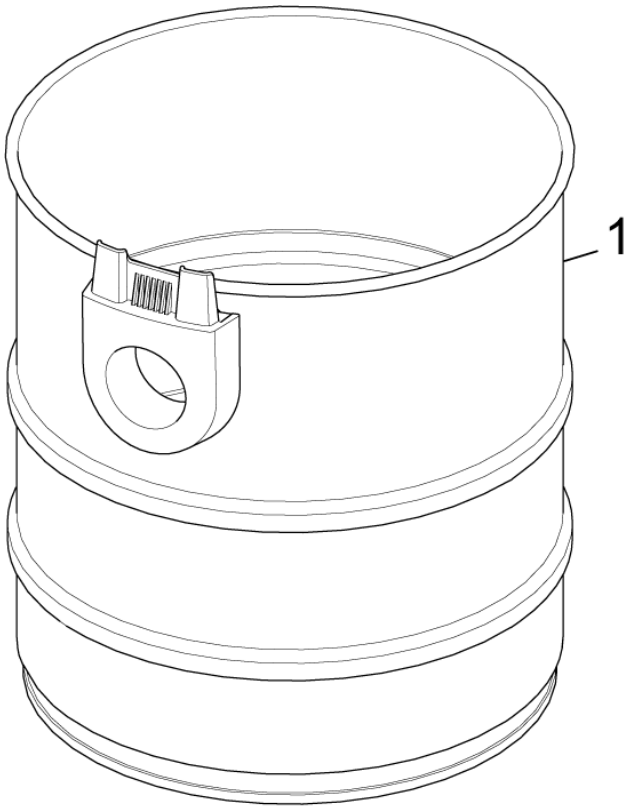
# ATTIX 40 Container

ATTIX 40

26-08-2008

Part List ID  
ATTIX4006

13



# ATTIX 40 Container

ATTIX 40

26-08-2008

Part List ID  
ATTIX4006

14

Pos	Part no.	Qty	Description	EAN
1	302004053	1	CONTAINER W.FITTING ATT40 INOX	4005337148
3	302004059	2	FRONT WHEEL FOR CONTAINER	4005337148
4	302004055	1	CONTAINER RING FOR INOX	4005337148
5	302004057	1	WHEEL AXLE	4005337148
6	302004033	1	SCREW 5X30	4005337147
7	302000639	2	WHEEL Ø150X20, BLACK	4005337687
8	47302	2	CLAMPING RING Ø28,6/Ø20X	4005337473
9	302000701	2	HUB CAP Ø115	4005337690