

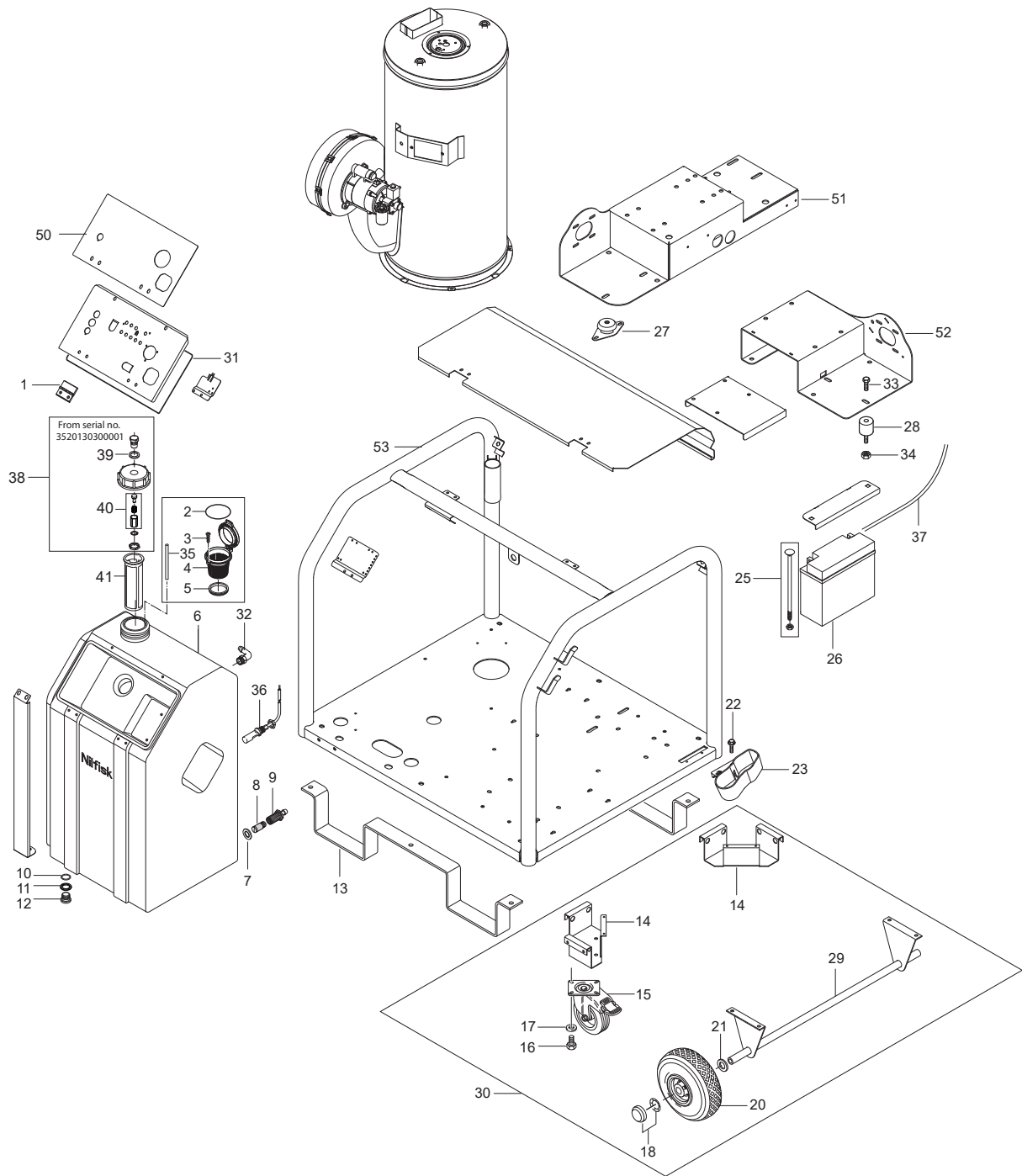
PARTS LIST



2021.09.25

TABLE OF CONTENTS

Overview small	1
Oil container	3
Generator and belt	5
Motor	7
Cylinder block	9
Water inlet	11
Water flow regulation	13
Pump kits NP5	15
Unloader NP5	17
Flow control - Safety valve	19
Fan	21
Electrical components	23
Distributor	25
Burner unit	27
Boiler	29
Default accessories	31
OPTION anti-scale and water tank	33
Wheel kit (large)	35
RECOMMENDED SPARE PARTS	37

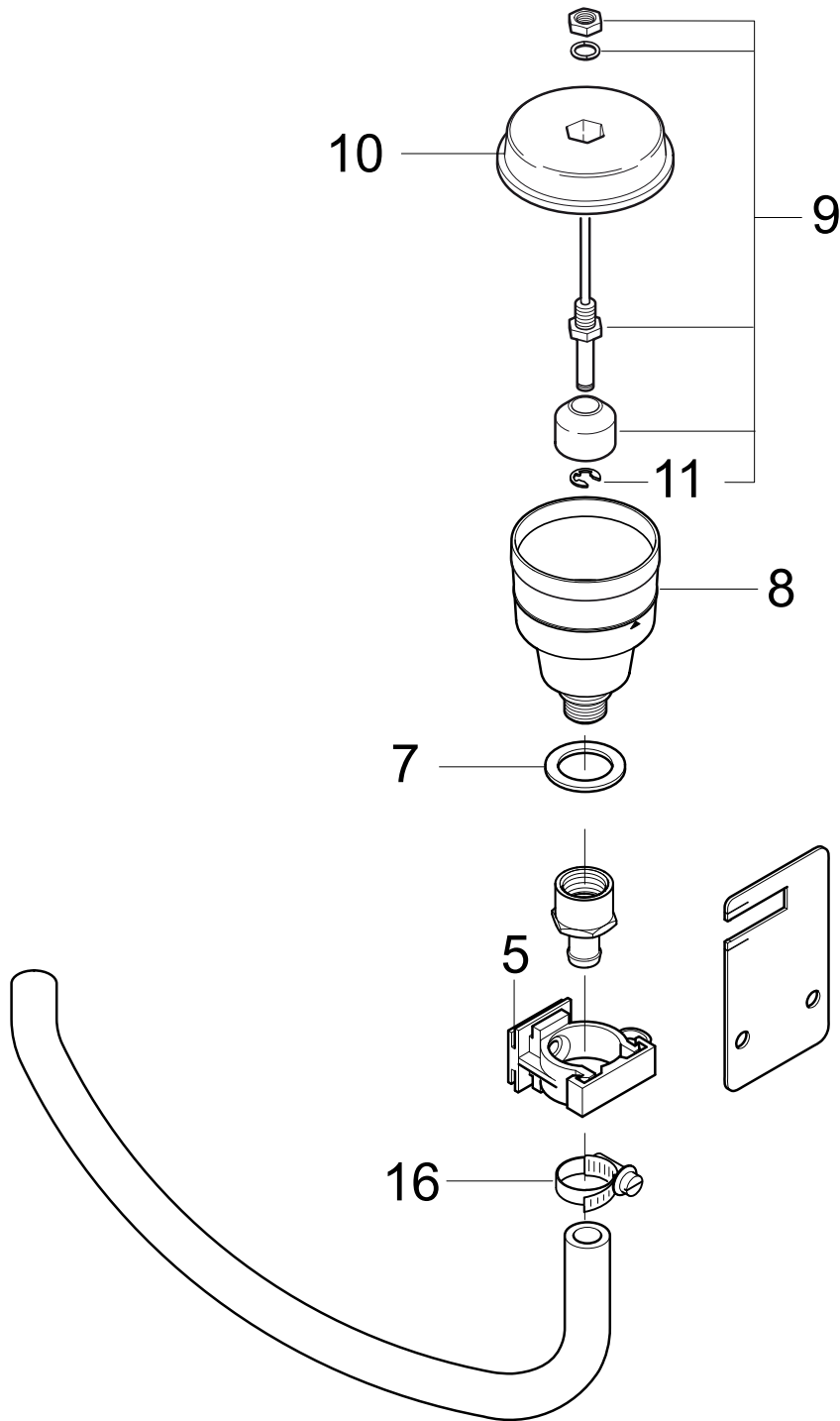


No.	Part No.	Qty.	Description	Part Note
1	106268010	4	HINGE KIT	
2	909100173	1	O-RING 56,0 X 5,0	[1]
3	18086	1	SCREW	[1]
4	301001292	1	STRAINER	[1]
5	301000620	1	GASKET	[2]
6	106268011	1	FUEL TANK/EL-BOX KIT	
7	1803493	1	TIGHTENING WASHER	
8	1400092	1	NOZZLE FILTER	
9	106268012	1	HOSE FITTING KIT	
10	3000064	1	O-RING 14.1X1.6 NITRIL 7	
11	1801075	1	PACKING RING	
12	3004350	1	PLUG 3/8 RG	
13	106268013	2	FOOT FOR CHASSIS KIT	
14	106268014	2	BRACKET FOR WHEEL KIT	
15	107141477	2	CASTOR D125 WITH BRAKE	
16	8919	8	SCREW M8 x 12	
17	61467	8	HEXAGON NUT M8	
18	2003481	2	HUBCAP	
20	2010999	2	WHEEL 225MM FOR 20 5MM	
21	106268019	4	SPACER KIT	
22	106268067	2	HEX FLANGE BOLT M6X20MM DIN7500 N	
23	301000774	1	HOLDER-LANCE 160X100X65	
25	106268069	2	SCREW KIT	
26	106268017	1	BATTERY KIT	
27	106268020	2	VIBR. DAMPER M12 KIT	
28	107318092	2	VIBRATION DAMPER M10	
29	106268015	1	AXLE KIT	
30	106268075	1	WHEEL KIT	[3]
31	106268068	1	GASKET KIT	
32	1601111	1	HOSE SOCKET ELBOW D6X1/4 INCH	
33	1802305	2	SCREW M10X16	
34	1800465	2	NUT M10 REPLACES 1101240	
35	106268098	1	AIRING PIPE NEPTUNE PE-DE	[1]
36	101117746	1	LOW FUEL CUT OUT SWITCH	
37		1	Cables for battery 10mm2	[4]
38	106268115	1	LID FOR FUEL TANK COMP.SPAREPART	
39	1801075	1	PACKING RING	
40	1119566	1	REPAIR KIT, NON RETURN VA	
41	107144862	1	STRAINER Ø49,5X140	
50	106268118	1	FRONT LABEL (HONDA)	[5]
50	106268120	1	FRONT LABEL (YANMAR)	[6]
51		1	NEPTUNE 5-85 PE, NETUNE 5-51 DE	
52	106268126	1	MOTOR BRACKET FOR	
53	106263006	1	CHASSIS/FRAME MOBIL	

Part Notes:

- [1] - For machines produced before serial no. 3520130300001 you have to buy pos. 38 and 41 too.
- [2] - TSB-PPW-2013-001 301000620, 301001276

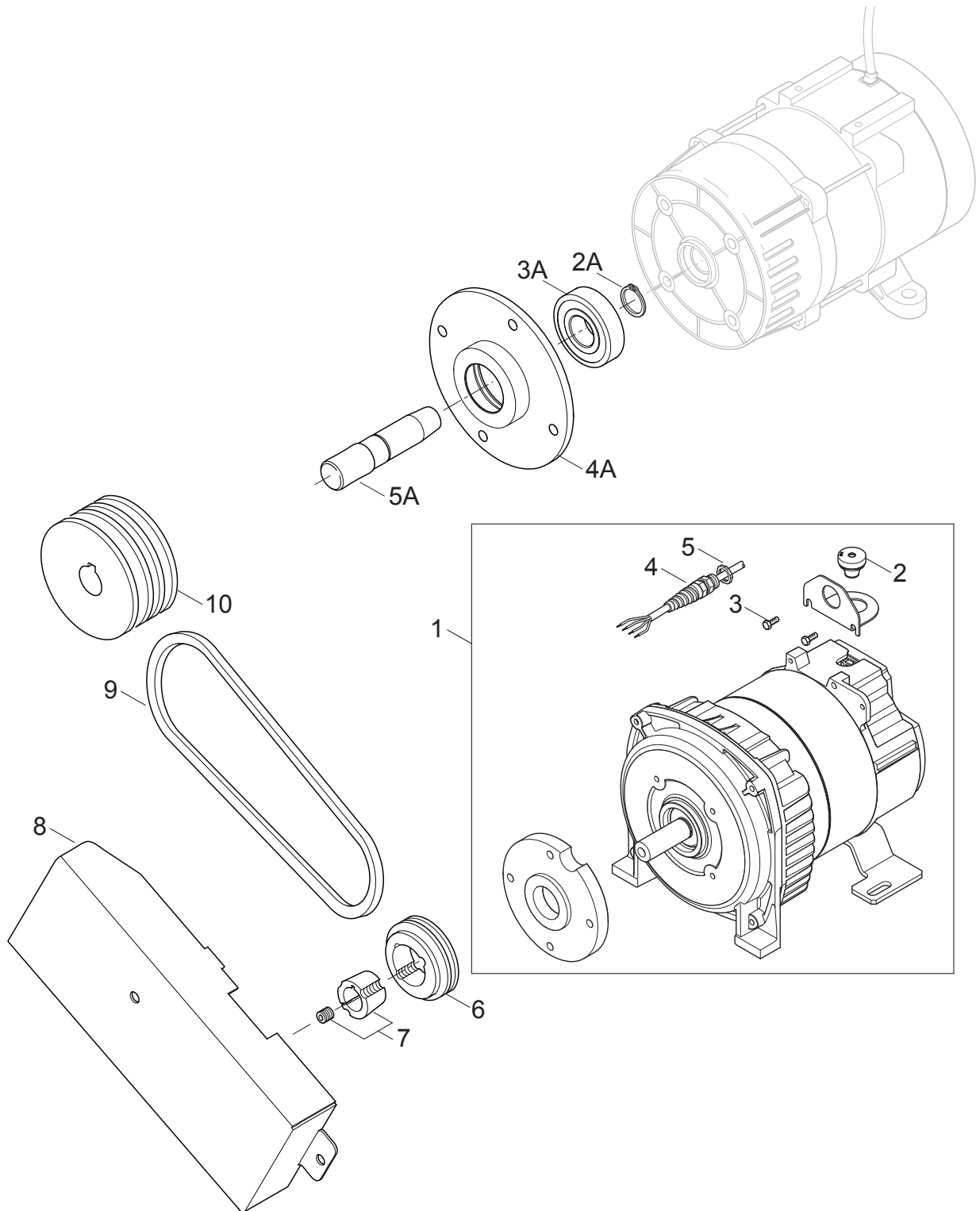
- For machines produced before serial no. 3520130300001 you have to buy pos. 38 and 41 too.
- [3] - 5-46, 5-51, 5-54, 7-61
ACCESSORY 2020 PRUNING
- [4] - Cables for battery 10mm2
- [5] - 5-46PE, 5-54PE, 7-61PE
- [6] - 5-51DE



No.	Part No.	Qty.	Description	Part Note
0	200060	1	PUMP OIL SAE 15W-40 1 LITER	[1]
5	104601175	1	BRACKET FOR PIPE 25MM	
7	1807932	2	SELF-SEALING WASHER	
8	301000614	1	OIL TANK	
9	301001196	1	FLOAT SWITCH	
10	301000615	1	OIL TANK COVER	
11	107142593	1	HOLDING WASHER PE	[2]
16	1805100	2	HOSE CLIP 8-22MM	

Part Notes:

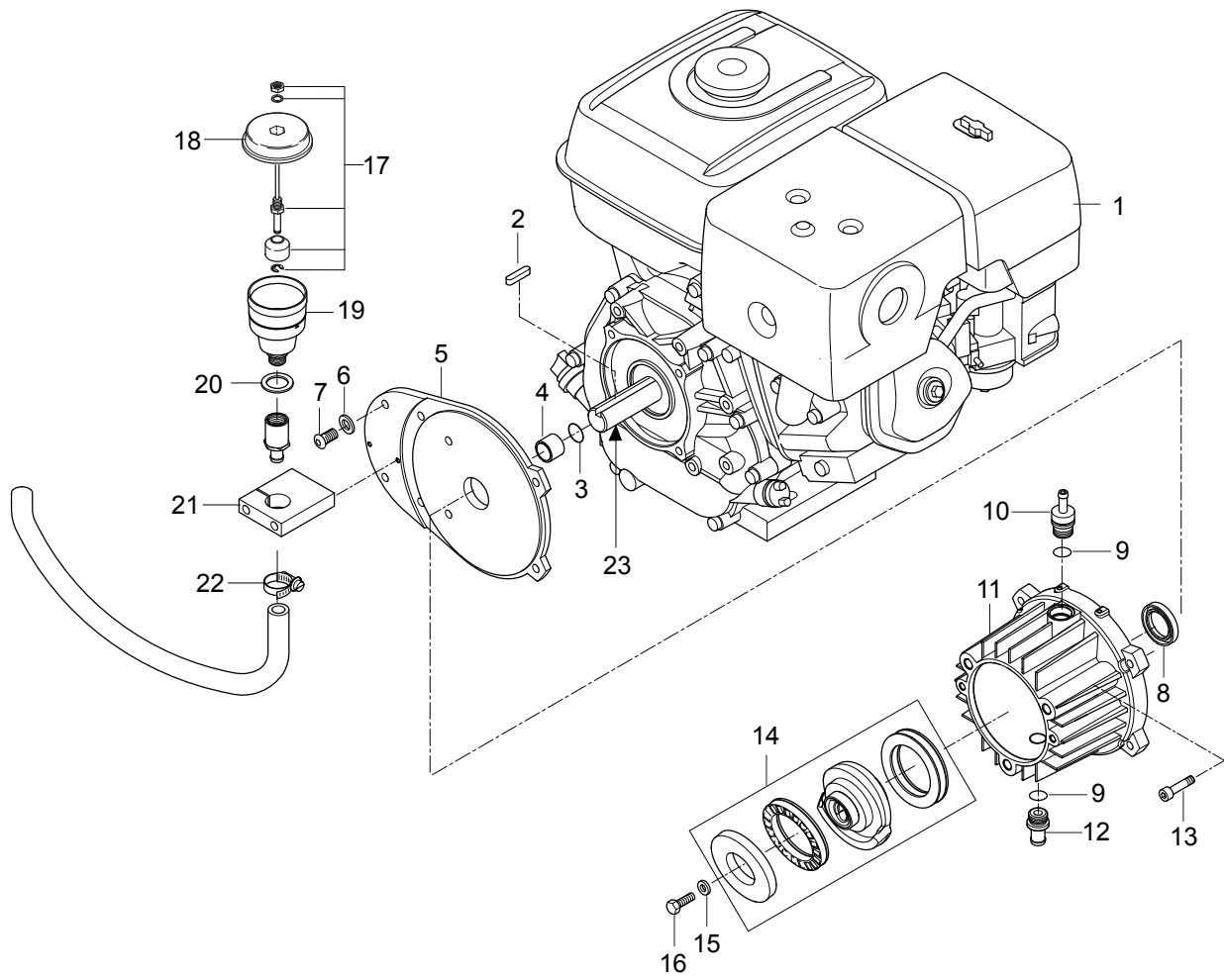
- [1] - 0,65 L for MH 5M 220/1000 PENEPTUNE 5-46PE / 5-54PE
1,1 L for MH 7P 200/1200 DEMH 7P 220/1120 PEMH 7P 220/1300 DENEPTUNE7-61PE / 7-66DE7-72DE
OIL TYPES_QUANTITY for HPW_APRIL 2017
- [2] - TSB-PPW-2016-017 Locking ring for oil level switch falling off



No.	Part No.	Qty.	Description	Part Note
1	101118177	1	GENERATOR KIT FOR	[1]
2	3803772	1	CABLE GROMMET TET 7-10C	[2]
2A	106268049	1	RETAINING RING WASHER LOOK KIT	[3]
3	1804475	2	SCREW M5X12 ISO 14583-A2 TORX	[2]
3A	106268050	1	BEARING KIT	[3]
4	909100043	1	CORD, FIXING	[2]
4A	106268051	1	FLANGE KIT	[3]
5	909100019	1	HEX, NUT	[2]
5A	106268053	1	AXLE 5-46 5-54 5-85 7-61 7-66PE SPAREP.	[3]
5A	106268052	1	AXLE 5-51DE 7-72DE	[3]
6	106268054	1	PULLEY 5-46PE 7-61PE	
6	106268090	1	PULLEY 5-85PE SPARE PART	[4]
6	106268056	1	PULLY 5-51DE KIT	
6	106268107	1	PULLEY 7-72 SPAREPART	
6	106268055	1	PULLY 5-54PE KIT	
7	106268058	1	TAPER-BUSHING 5-54PE 7-72DE SPAREPART	
7	106268059	1	TAPER-BUSHING 5-51DE	
7	106268057	1	TAPER-BUSHING 5-46	
8	106268060	1	COVER FOR BELT KIT	
9	106268062	1	BELT 5-51DE KIT	
9	106268108	1	BELT 7-66 SPAREPART	
9	106268061	1	BELT 5-46PE 5-54PE 7-	
9	106268106	1	BELT 7-72DE SPAREPART	
9	106268091	1	BELT 5-85PE SPARE PART	[4]
10	106268071	1	PULLEY 5-51DE KIT	

Part Notes:

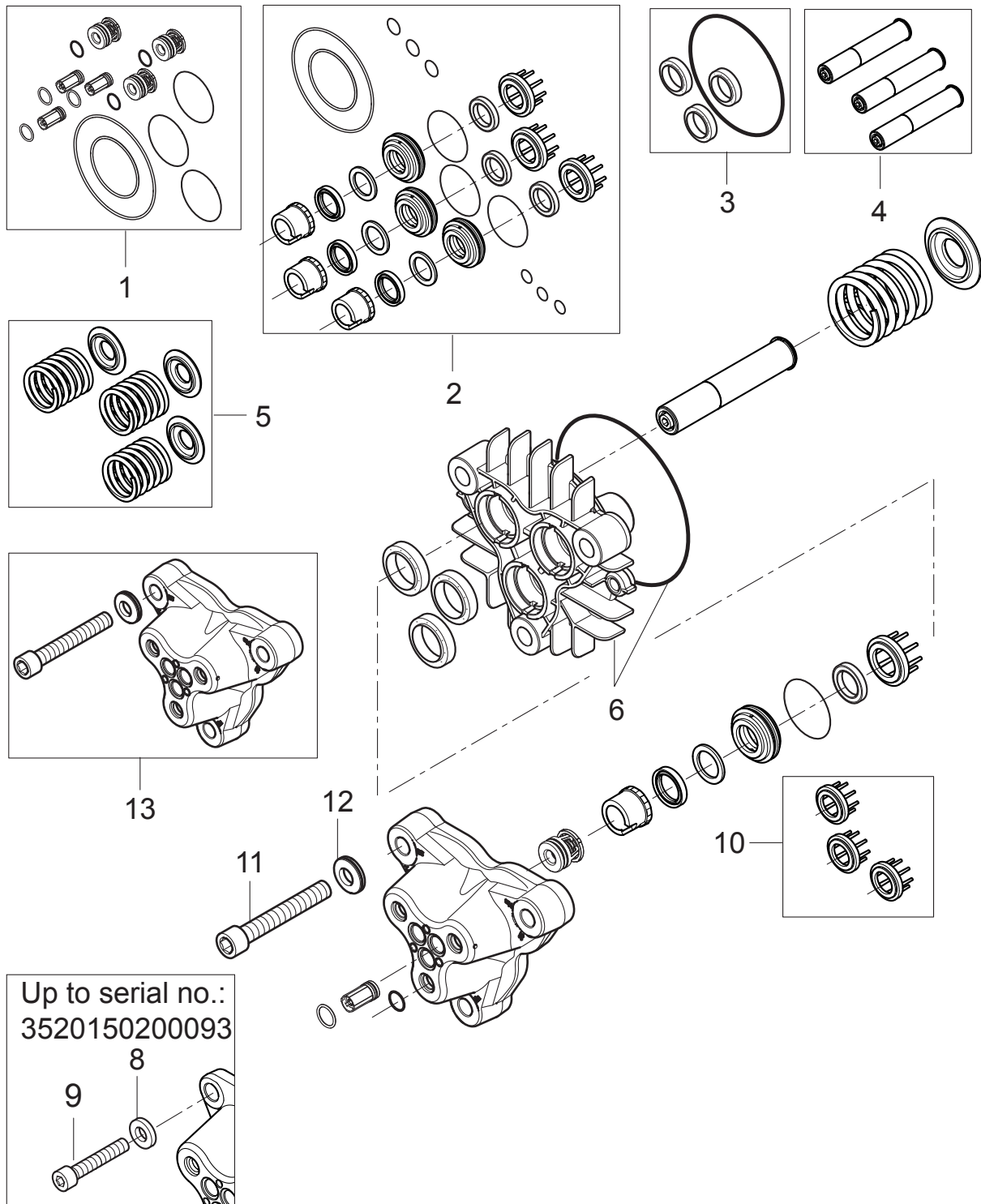
- [1] - MI -106269038_Generator spacer MH PE-DE
 TSB-PPW-2016-004 MH 5M_MH 7P PE_DE New Type 230V Generator
 DE TSB-PPW-2016-004 MH 5M MH 7P PE DE neuer Typ des 230V Generators
- [2] - From 2016.06
- [3] - Up to 2016.06
- [4] - STOCK COVERS GUARANTEE



No.	Part No.	Qty.	Description	Part Note
	31001229	1	OIL ISO 150 ALPHASYN-T 20L	
0-	5218433	1	PUMP OIL 150 1*1 L	[1]
1	107318179	1	HONDA GX 340 GEAR REDUC. KIT FOR 5-46PE	[2]
1	101118079	1	HONDA GX390 GEAR RED. KIT	[3]
2	6160608	1	SPRING	
3	3001559	1	O-RING 23.47X2.62 NITRIL	
4	6160607	1	TIGHTENINGRING	
5	106268021	1	FLANGE KIT	
6	1801182	4	SPRING WASHER M8	
7	1800150	4	SET SCREW M 8 X 30	
8	106268070	1	GASKET KIT	
9	3004221	2	O-RING 16X2 NITRIL 70 SHO	
10	106268022	1	HOSE TAIL KIT	[4]
11	107141988	1	D-BEARING COVER NEPTUNE PE / DE	[5]
12	106268023	1	HOSE TAIL OIL KIT	
13	1813864	4	SCREW M8X35	
14	101118251	1	WOBBLE DISC	[6]
14	101118252	1	WOBBLE DISC	[7]
15	6162603	1	WASHER	
16	2753	1	HEX. SCREW M8X20 ISO	
17	301001196	1	FLOAT SWITCH	
18	301000615	1	OIL TANK COVER	
19	301000614	1	OIL TANK	
20	1807932	1	SELF-SEALING WASHER	
21	106268064	1	HOLDER FOR OIL CONTAINER KIT	
22	1805100	2	HOSE CLIP 8-22MM	
23	106268124	1	AXLE FOR HONDA MOTOR	

Part Notes:

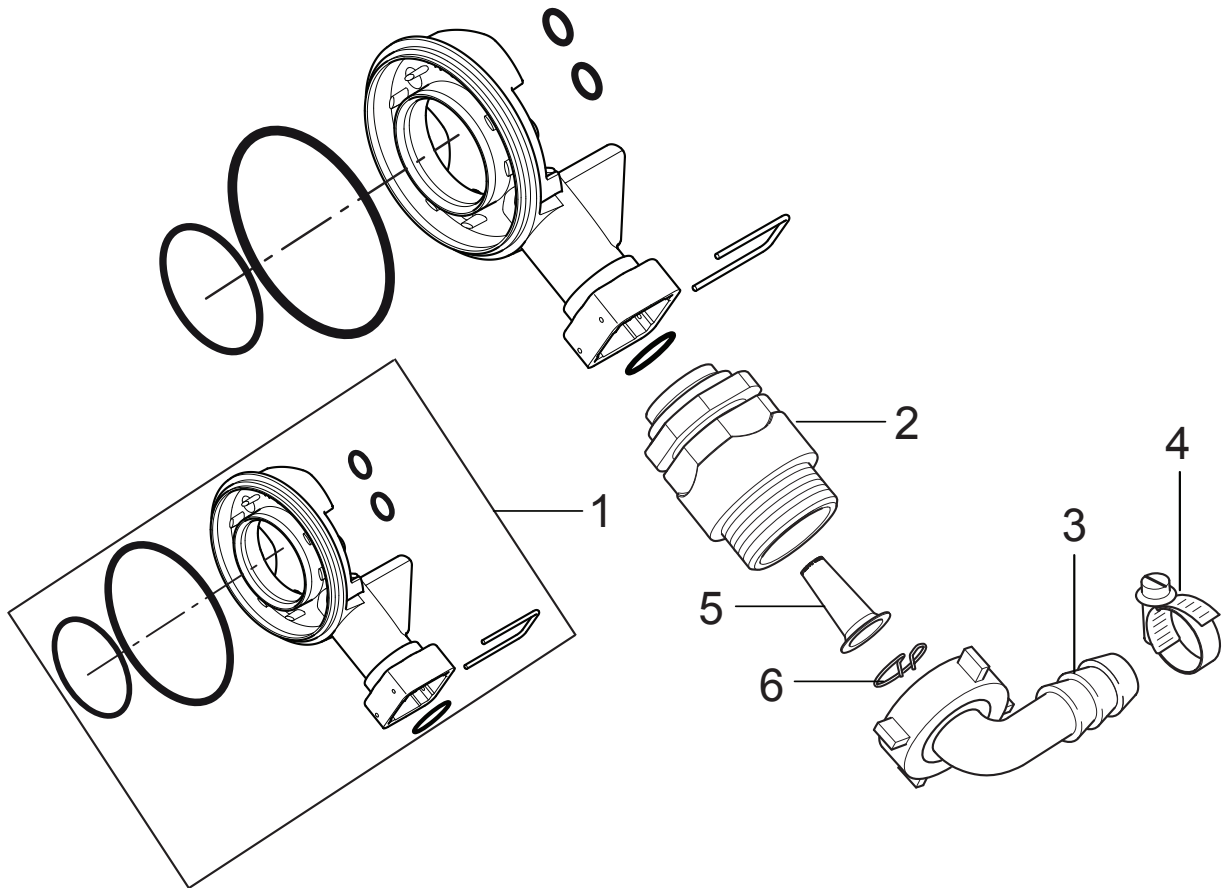
- [1] - 0,71 - OIL TYPES_QUANTITY for HPW_APRIL 2017
- [2] - NEPTUNE 5-46 PE
- [3] - NEPTUNE 5-54 PE
- [4] - NO LONGER AVAILABLE
- [5] - TSB-PPW-2015-002 NA5.2 Pump Information
- [6] - 5-54 PE
TSB-PPW-2015-002 NA5.2 Pump Information
- [7] - 5-46 PE
TSB-PPW-2015-002 NA5.2 Pump Information



No.	Part No.	Qty.	Description	Part Note
1	107144100	1	VALVE KIT - NA5	
2	101118323	1	WATER SEAL KIT NA5	[1]
3	107144102	1	OIL SEAL KIT - NA5	
4	101118239	1	PISTON KIT - NA5.2	
5	107144104	1	SPRING KIT - NA5	
6	107141983	1	CYLINDER BLOCK W/O-RING	[2]
8	107141727	3	WASHER 20x13x2 ISO7092	[2]
9	107141513	3	CYLINDRICAL SCREW M12X65	[2]
10	107140919	1	SUPPORT RING NA5 SPARE	
11+12	107141968	3	CYL.SCREW M12X80 WITH	[2]
12	107141969	3	WASHER NLX12SP	[2]
13	107141985	1	CYLINDER HEAD NA5.2 W.	[2]

Part Notes:

- [1] - TSB-PPW-2020-003 NA5 pump THRUST COLLAR changed
 DE TSB-PPW-2020-003 NA5 Pumpe - Änderung der Druckringe
 TSB-PPW-2020-003 Nouvelles bagues laiton pour pompe NA5
- [2] - TSB-PPW-2015-002 NA5.2 Pump Information



Water inlet

NEPTUNE 5-54PE / MH 5M 220/1000 PE

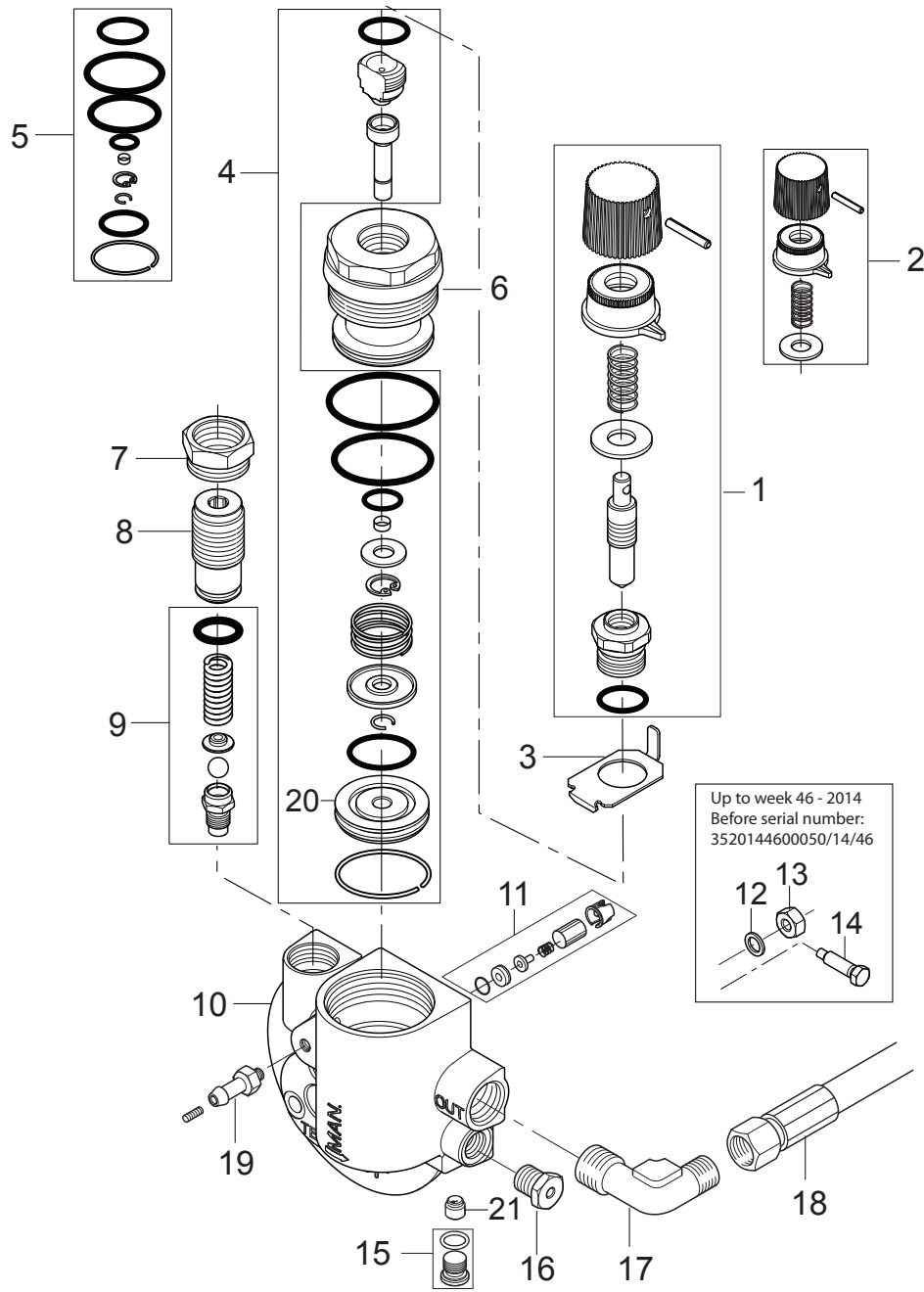
2017.11.02

2015.12.09

No.	Part No.	Qty.	Description	Part Note
1	107144109	1	WATER INLET KIT 1 - NA5	[1]
2	106268065	1	INLET FITTING KIT	
3	107142766	1	HOSE NOZZLE	
4	9262	1	HOSE CLIP 12-20	
5	101117926	1	FILTER	
6	107141667	1	LOCK WASHER	

Part Notes:

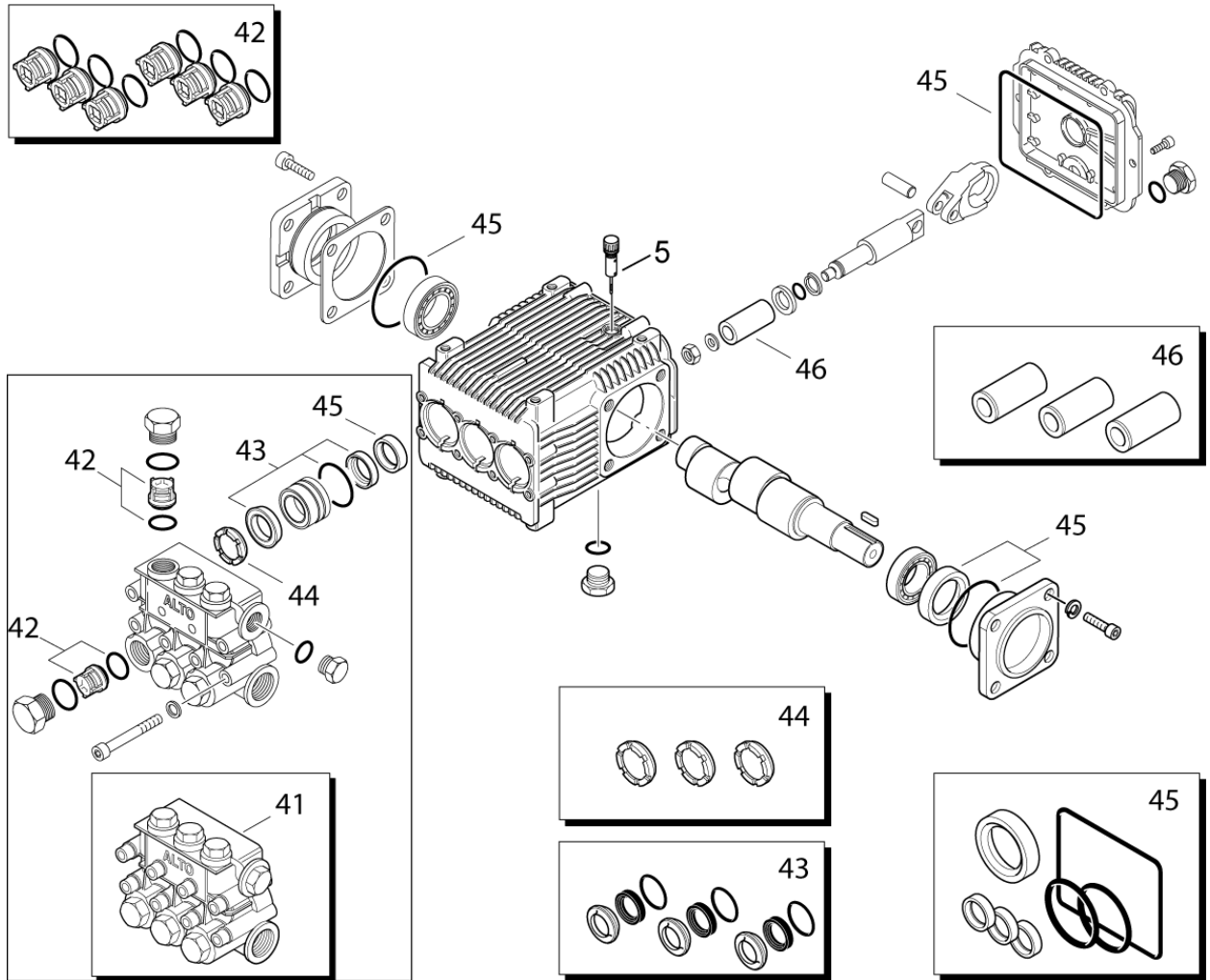
[1] - TSB-PPW-2015-003 Water Inlet, 101117929 and 107144109 for NA5 pumps does not fit on NA5.2 pump



No.	Part No.	Qty.	Description	Part Note
1	6200561	1	REGULATING OF WATER CAPAC	
2	6008041	1	VALVE HANDLE COMP.	
3	101117883	1	STOP BRACKET FOR NA5	
4	1118546	1	REP.KIT BY-PASS VALVE 02	
5	101117884	1	SEALING KIT FOR REGULATOR	
6	6150642	1	VALVE HOUSING	[1]
7	6100928	1	LOCK NUT	
8	6100940	1	ADJUSTMENT SCREW F.SAFETY	
9	1118512	1	REP.KIT SAFETY VALVE	
10	107144409	1	BY PASS VALVE HOUSING	[2]
11	101118159	1	BY PASS VALVE KIT -	
12	3001377	1	HEAD GASKET	
13	6150680	1	LOCK NUT	[3]
14	101117887	1	ADJUSTMENT SCREW FOR NA5	
15	101117924	1	PLUG FOR MPU 1/8	
16	106268066	1	PLUG KIT	
17	1600444	1	ELBOW	
18	106268044	1	HP HOSE DN10 1239 DKL-DKL	
19	106268105	1	FITTING FOR BY-PASS	[2]
20	107141735	1	PISTON FOR BY-PASS	
21	107144413	1	NOZZLE 3 DOT F. NA5 FA	

Part Notes:

- [1] - STOCK COVERS GUARANTEE
- [2] - TSB-PPW-2011-011 Longer by-pass time 5-46PE, 5-54PE
- [3] - NO LONGER AVAILABLE



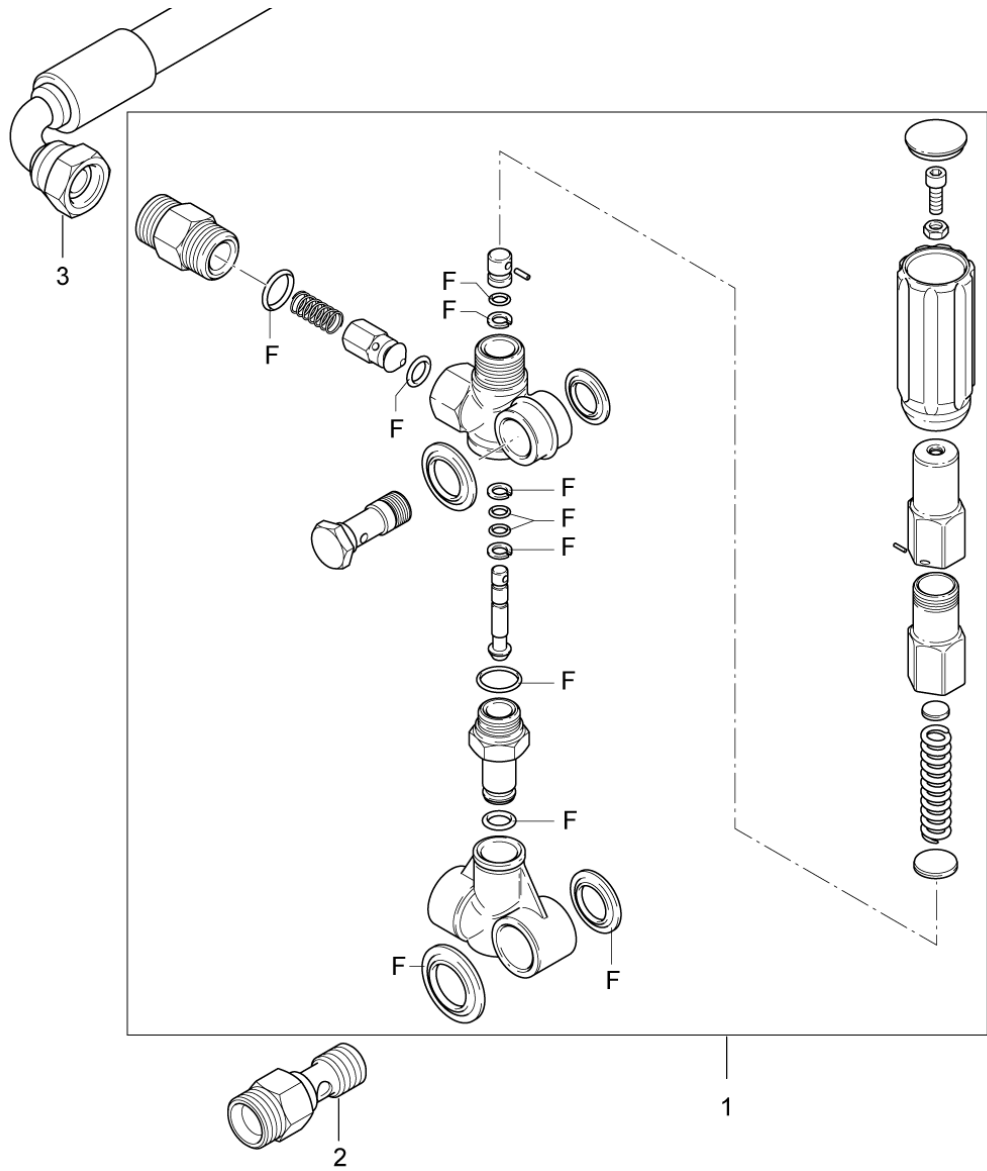
Pump kits NP5

NEPTUNE 5-54PE / MH 5M 220/1000 PE

2017.11.02

2015.09.30

No.	Part No.	Qty.	Description	Part Note
05	301001460	1	OIL LEVEL STICK G3/8	
41	301001170	1	VALVE BLOCK COMPL. 18M	
42	301001153	1	VALVE KIT 6 FOR PUMP	
43	301001148	1	KIT PISTON SEALING 18MM	
44	301001151	1	SUPPORT RING 18	
45	301001150	1	OIL SEALING KIT	
46	301001146	1	CERAMIC PISTON KIT 18 DIA	



Unloader NP5

NEPTUNE 5-54PE / MH 5M 220/1000 PE

2017.11.02

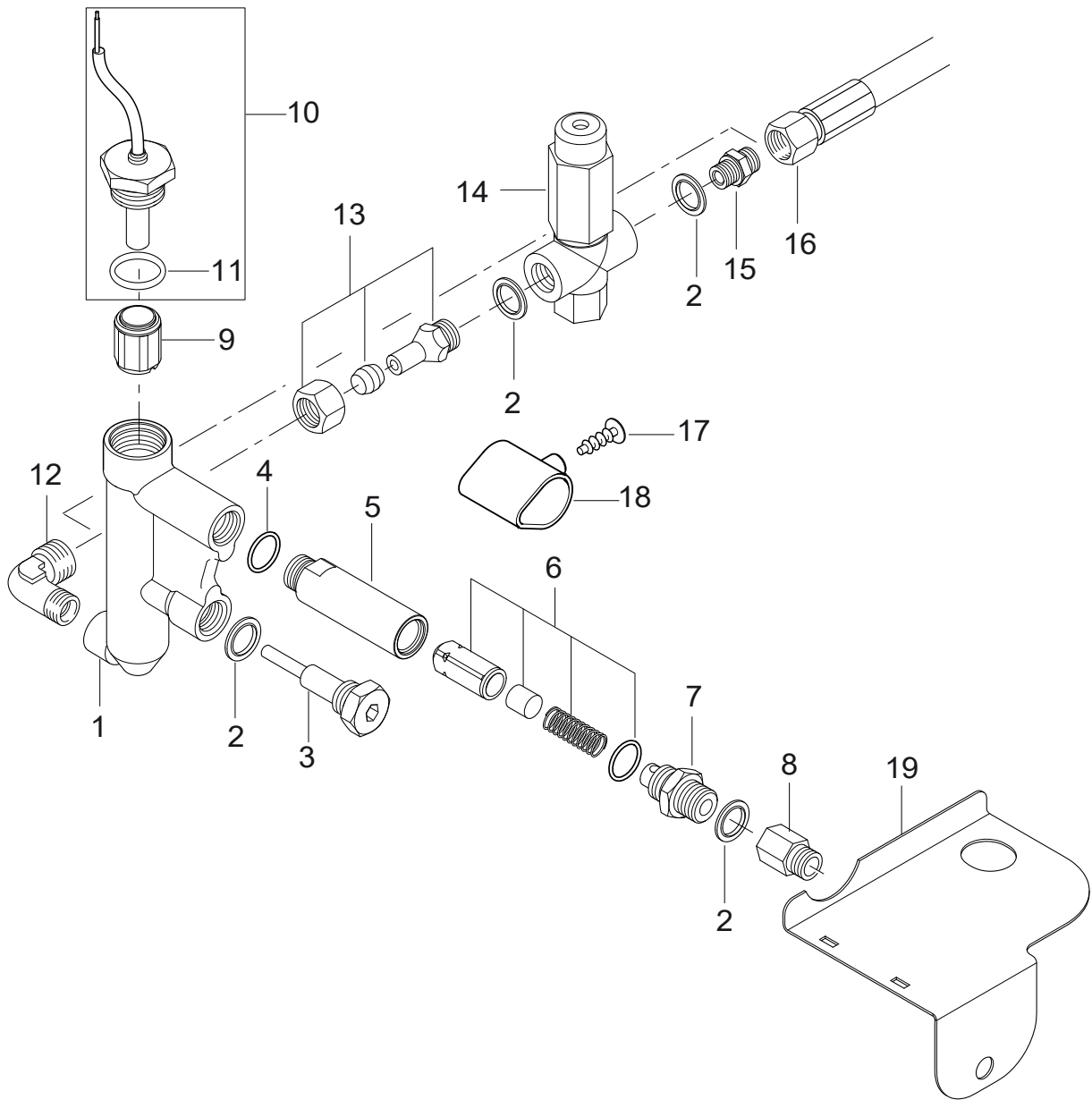
2016.08.11

No.	Part No.	Qty.	Description	Part Note
1	106268076	1	UNLOADER KIT	
2	106268063	1	HOLLOW SCREW KIT	
3	106268046	1	HP HOSE DN10 585 DKL-DKR90	[1]
3	106268110	1	HP HOSE DN10 900 DKL-DKR90	[2]
F	31000188	1	REP KIT FOR UNLOADER	

Part Notes:

[1] - 5-51 DE - MH5M 200/1000DE

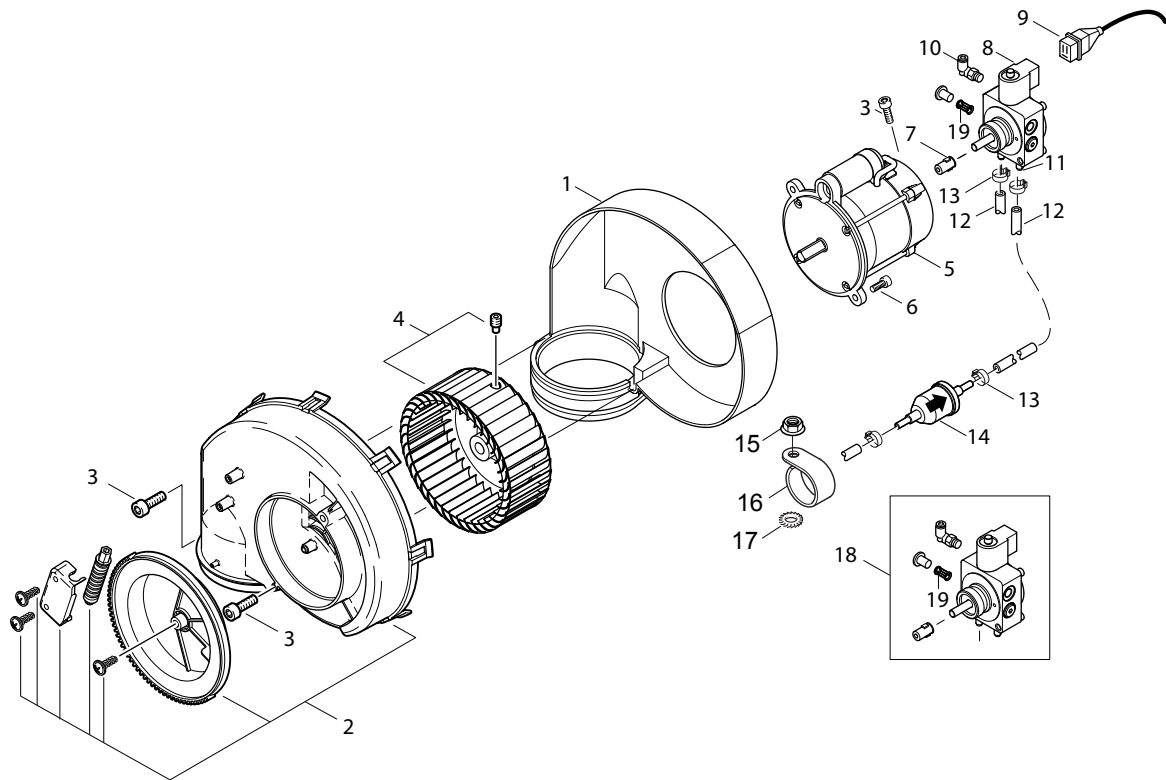
[2] - 5-85 PE



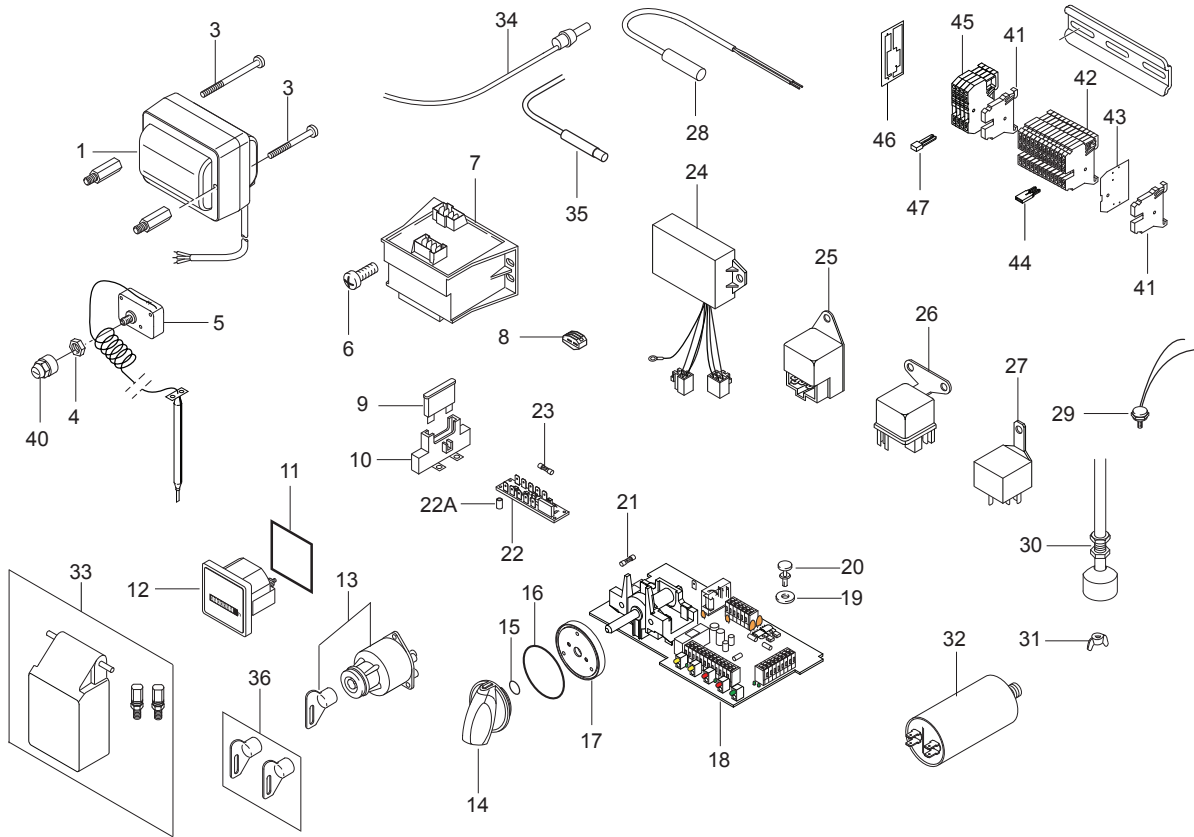
No.	Part No.	Qty.	Description	Part Note
1	6201545	1	HOUSING F. FLOW SWITCH	
2	1801075	4	PACKING RING	
3	106268042	1	PLUG M16 KIT	
4	3000064	1	O-RING 14.1X1.6 NITRIL 7	
5	107120501	1	FLOW SWITCH HOUSING	
6	101119411	1	REED VALVE KIT	
7	107120504	1	NIPPLE 3/8 POSEIDON	
8	106268072	1	FITTING 12-L 3/8 KIT	
9	6350454	1	PISTON	
10	6221773	1	REED SWITCH WITH O-RING	
11	3000825	1	O-RING 20.24X2.62 NITRIL	
12	1839	1	ELBOW FITTING 12L R 1/4 INCH ZN	
13	6220554	1	SCREWED CONNECTION	
14	101117722	1	SAFETY VALVE ADJUSTED	
15	1601079	1	SCREWED CONNECTION	
16	106268110	1	HP HOSE DN10 900 DKL-DKR90	[1]
16	106268112	1	HP HOSE DN10 705 DKL-DKL	[2]
16	106268044	1	HP HOSE DN10 1239 DKL-DKL	[3]
16	106268111	1	HP HOSE DN10 864 DKL-DKL	[4]
16	106268046	1	HP HOSE DN10 585 DKL-DKR90	[5]
17	1814614	1	SCREW	
18	62399	1	BRACKET REED SWITCH	
19	106268129	1	FITTING FOR PIPE	

Part Notes:

- [1] - NEPTUNE 5-85PE
- [2] - NEPTUNE 7-66DE
- [3] - NEPTUNE 5-54PE, 7-61PE, 5-46PE
- [4] - NEPTUNE 7-72DE
- [5] - NEPTUNE 5-51DE



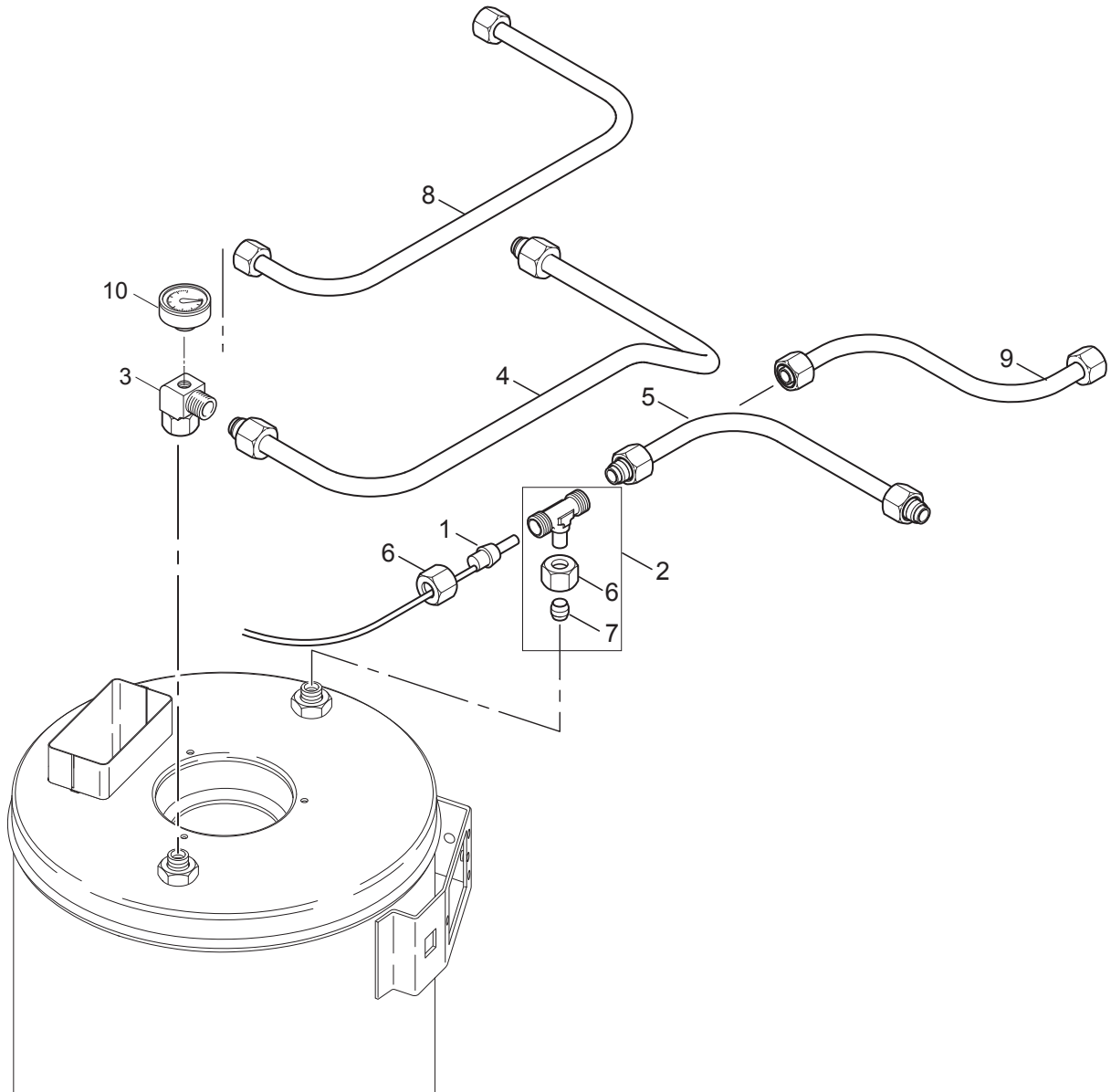
No.	Part No.	Qty.	Description	Part Note
1	301000495	1	FAN HOUSE	
2	301000852	1	COVER FOR FAN HOUSING	
3	32535	3	SCREW M5X16	
4	301000889	1	FAN WHEEL 160X60	
5	106408258	1	MOTOR BURNER -	
6	4697	2	SCREW M6X16	
7	101117707	1	COUPLING FOR OIL PUMP BFA	
8	3821089	1	COIL WITH NUT AND WASHER	
9	101117703	1	CABLE FOR OIL SOLONOIDE	
10	101117706	1	PUSH-IN ANGLE FITTING	
11	101117777	1	HOSE CONNECTIONS FOR	
12	106408244	1	HOSE D6X2.5 - 5 METERS	
13	11654	2	HOSE CLAMP Ø11.5	
14	301002926	1	FILTER	
15	12496	1	NUT	
16	101117705	1	HOLDER FOR FUEL FILTER	
17	7062	1	SERRATED WASHER A 6.4	
18	101117673	1	OIL PUMP INCL. FITTINGS	
19	31001081	1	FILTER FOR OIL PUMP	



No.	Part No.	Qty.	Description	Part Note
1	301000879	1	IGNITION TRANSFORMER	
3	1809821	2	SCREW M5X50 DIN 7985	
3	106268039	2	SCREW M5X65 KIT	
4	47313	1	NUT M10X1X3	
5	106268028	1	EXHAUST SAFETY THERMOSTAT	
6	15146	2	RAISED DOME HEAD SCREW M5X12 H DIN 7985	
7	106268125	1	POWER TRANSFORMER 260/400 - 24/8 T60 US	[1]
8	301001229	1	SNAP-ON CLIP 3X4QMM	
9	4812226	1	FUSE 10A RED	
10	4812306	1	FUSE HOLDER	
12	106268031	1	HOURCOUNTER KIT	
13	106268041	1	STARTING SWITCH WITH KEY	
14	909100204	1	ROTARY KNOB 06X5	
15	9868	1	O-RING 10.2X2.5 NBR 70	
16	3003944	1	O-RING 57.0X4.0 DIN	
17	106268038	1	FRONTPART FOR	
18	301001231	1	CIRCUIT BOARD NEPTUNE 3	
19	4814084	1	WASHER	
20	106268029	1	SNAP RIVET KIT	
21	4812226	1	FUSE 10A RED	
22	106268040	1	LED BOARD KIT	
22A	106268037	2	SPACER FOR LED BOARD KIT	
23	4812225	1	FUSE 30A GREEN	
24	4809292	1	UNIT CONTROL RELAY	
25	4809282	1	GLOW TIMER	
26	4809281	1	RELAY. GLOW	
27	4812224	1	RELAY 30A	
28	106268032	1	REED SWITCH KIT	
29	106268033	1	SAFETY THERMOSTAT KIT	[2]
30	106268034	1	FLOAT SWITCH KIT	
31	106268035	1	WING NUT M8 KIT	
32	106268036	1	CAPACITOR 20MF KIT	
33	106268086	1	COVER FOR KEY KIT	
34	301000730	1	TEMP SENSOR	
35	301000729	1	FLAME SENSOR	
36	31000838	1	KEY FOR STARTING SWITCH	
40	34970	1	CAP	
41	103821922	2	DIN-END STOP WO/SCREW	
42	103821920	14	WIRE TERMINAL	
43	103821921	1	END PLATE	
44	103821923	1	JUMPER 2-POL.	
45	107307394	4	WIRE TERMINAL 4Q WAGO 2004-1201	
46	103821968	1	END PLATE WAGO 4MM2	
47	103821969	1	JUMPER	

Part Notes:

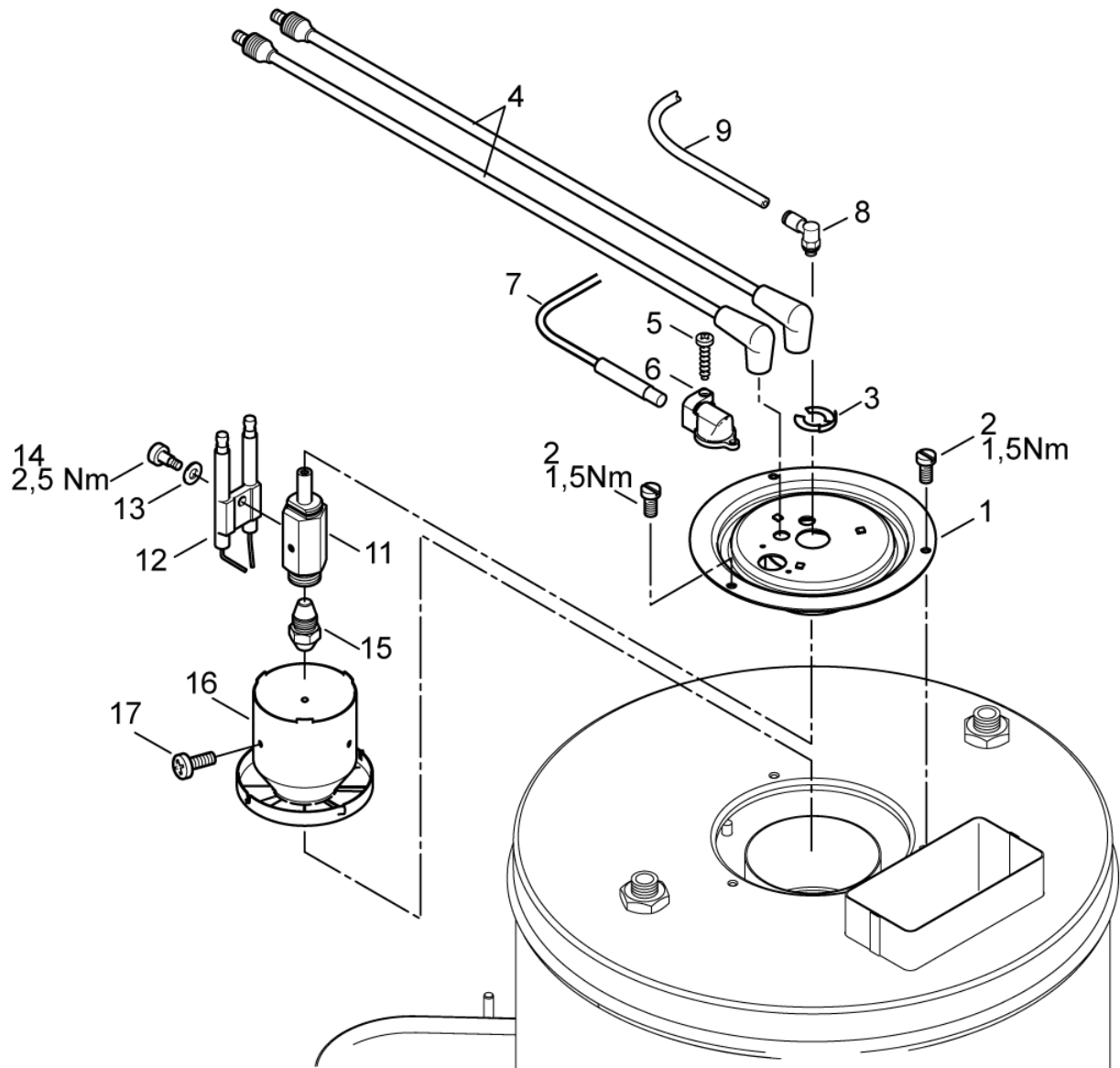
- [1] - For NETPUNE 5-54PE, NEPTUNE 7-61PE, NEPTUNE 5-51DE, NEPTUNE 7-66DE and NEPTUNE 7-72DE
[2] - 60 C degrees



No.	Part No.	Qty.	Description	Part Note
1	301000730	1	TEMP SENSOR	
2	101118093	1	T-FITTING M18 X 1.5 THREA	
3	101117911	1	ELBOW	
4	106268026	1	HP PIPE INLET KIT	[1]
5	106268027	1	HP PIPE OUTLET KIT	[1]
6	1081	2	UNION NUT HOSE REEL	
7	1080	1	UNION FOR 1801	
8	106268084	1	HP PIPE INLET KIT	[2]
9	106268085	1	HP PIPE OUTLET KIT	[2]
10	301000246	1	PRESSURE GUAGE TRITON	

Part Notes:

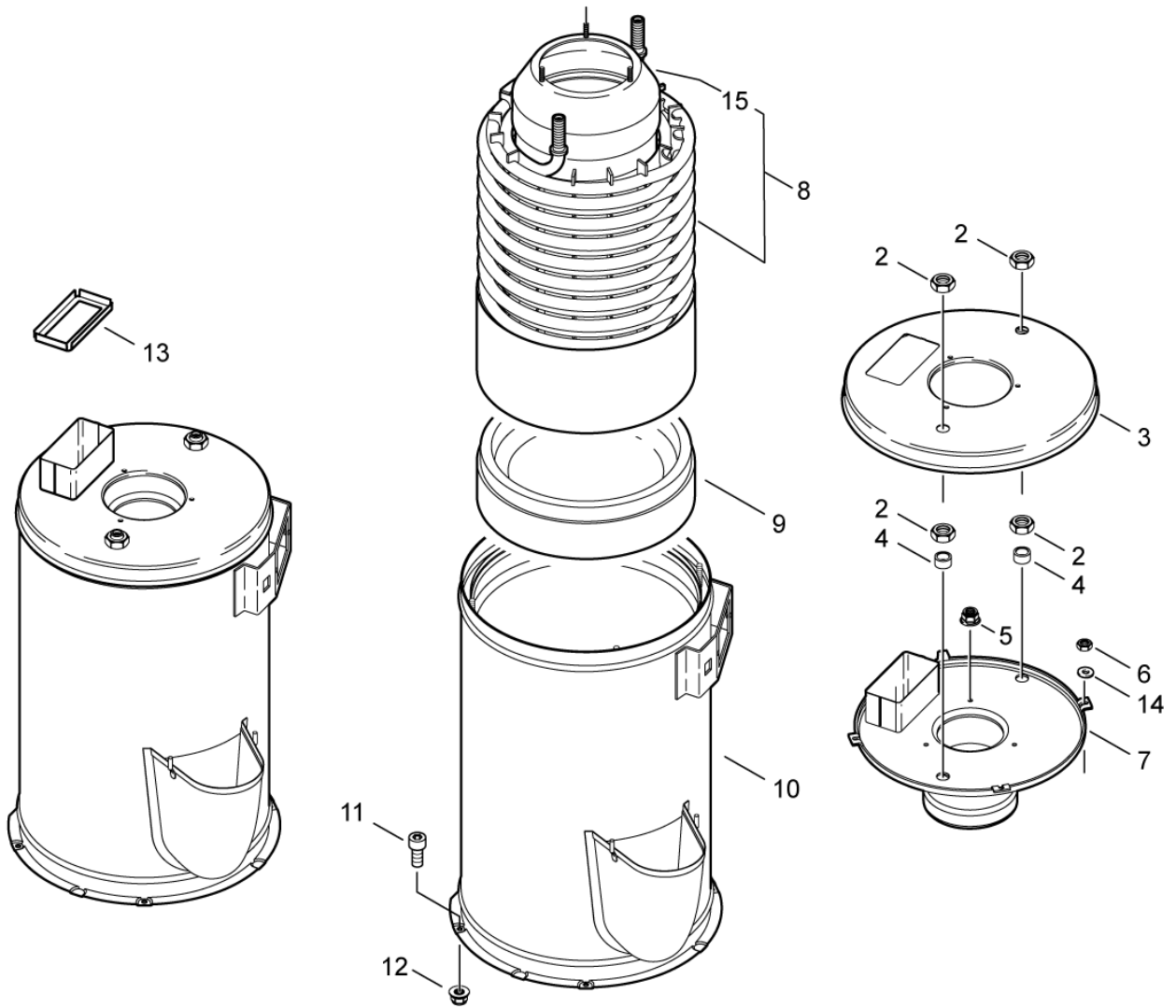
- [1] - 5-46PE, 5-54PE, 7-61 PE, 5-51DE
[2] - 5-85PE, 7-66DE, 7-72DE



No.	Part No.	Qty.	Description	Part Note
1	101117757	1	COVER FOR BOILER COMPLETE	
2	4820	1	SCREW M5X10	
3	101117876	1	CIRCLIPS	
4	106268030	1	IGNITION CABLE KIT	
5	5606	1	SCREW 2,9X19	
6	301000934	1	HOLDER NEPTUNE SENSOR	
7	301000729	1	FLAME SENSOR	
8	101117913	1	ELBOW 4/M5 PUSH-IN	
9	909100141	1	PIPE Dia 4x1	
11	101117915	1	OIL NOZZLE HOLDER	
12	301150009	1	IGNITION ELECTRODE KIT	
13	909100144	1	SPRING WASHER B5	
14	909100143	1	PAN HEAD SCREW M4X 4.5	
15	301000886	1	FUEL NOZZLE 1.75GAL/H 60'	[1]
15	301001068	1	FUEL NOZZLE 1.35GAL/H 60'	[2]
15	101118013	1	FUEL NOZZLE 2.25 GAL/H 60	[3]
16	301001833	1	AIR DISTRIBUTOR D90X59.2	[4]
16	301001834	1	AIR DISTRIBUTOR Å 94X59.2	[5]
17	51848	1	OVEL HEAD SCREW	

Part Notes:

- [1] - 5-54PE, 7-61PE, 5-51DE
Machine no. 106239530 MH 5M-200/1000DE,
Machine no. 106239610 MH 7P-220/1120PE
- [2] - 5-46PE
- [3] - 5-85PE, 7-66DE, 7-72DE
Machine no. 106239635 MH 7P-220/1300DE
- [4] - 5-85PE, 7-66DE, 7-72DE
- [5] - 5-46PE, 5-54PE, 7-61PE, 5-51DE



No.	Part No.	Qty.	Description	Part Note
2	7012	4	HEXAGON NUT M18X1.5	
3	301000534	1	BOILER COVER OUTER	
4	301000582	2	BUSHING Ø22X1.5X24	
5	12496	3	NUT	
6	12263	4	HEXAGON NUT M6	
7	301001839	1	BOILER COVER INNER	[1]
7	301001838	1	BOILER COVER NEPTUNE 7	[2]
8	107143301	1	COIL B5 SS, MH	[2]
8	301001342	1	COIL NEPTUNE 7 SS	[1]
8	301001098	1	COIL NEPTUNE 5	[2]
8	301001099	1	COIL NEPTUNE 7	[1]
9	301000916	1	INSULATION	[3]
10	301000968	1	BOILER JACKET COMPL. NE	[2]
10	301000969	1	BOILER JACKET COMPL. NE	[1]
11	3913	4	SCREW M6X12	
12	12496	4	NUT	
13	301001224	1	SHUTTER PLATE FOR CHIMNEY	[4]
14	2764	4	WASHER 6.4X1.6	
15	301000541	1	SHIELDING CONE NEPTUNE 5	

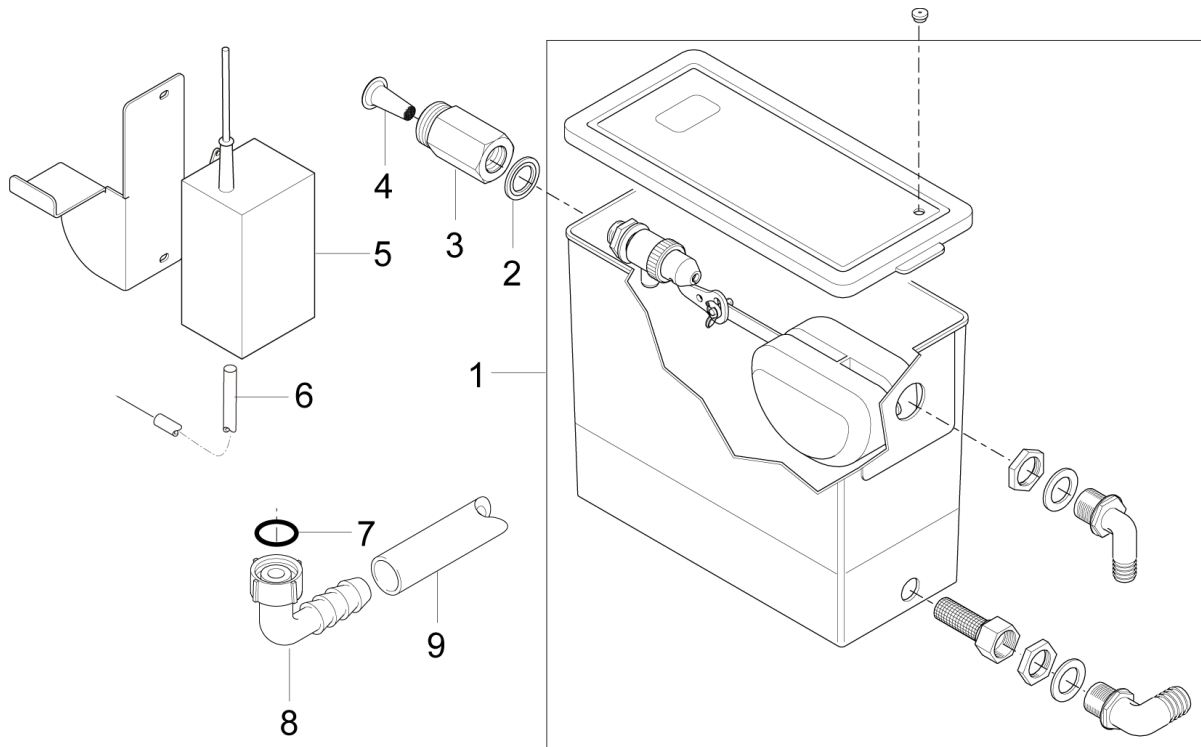
Part Notes:

- [1] - 5-85PE, 7-66DE, 7-72DE
- [2] - 5-46PE, 5-54PE, 7-61PE, 5-51PE
- [3] - TSB-HPW-2021-002 Chamotte stones in insulation removed
- [4] - STOCK COVERS GUARANTEE

No.	Part No.	Qty.	Description	Part Note
0-	106403122	1	ERGO 2000 STANDARD W.	[1]
1	1402064	1	EXT HOSE 15MTR 3/8	[2]
1	301001100	1	HP-HOSE DN8X15M	[3]
2	106403010	1	TORNADO PLUS 1120 BEND	
2	101119740	1	TORNADO NOZZLE	[4]
2	101119745	1	NZZLE 0640	[5]
2	101119746	1	NOZZLE 0650 INDICATION	[6]
2	101119741	1	NOZZLE 0500 INDICATION	[7]
2	101119738	1	NOZZLE 0400 INDICATION	[8]

Part Notes:

- [1] - ERGO 2000 Spray handle
- [2] - 5-85PE, 7-66DE, 7-72DE
- [3] - 5-46PE, 5-54PE, 5-61DE, 7-61PE
- [4] - 5-54PE, 5-51DE
- [5] - 7-66DE, 7-72DE
- [6] - 5-85PE
- [7] - 7-61PE
- [8] - 5-46PE



No.	Part No.	Qty.	Description	Part Note
0-	106239900	1	ACCESSORY NO SCALE FOR NEPTUNE PE-DE	[1]
1	106268103	1	FLOAT CHAMBER KIT	
2	1801075	1	PACKING RING	
3	106268104	1	HOUSING FOR FILTER KIT	
4	101117926	1	FILTER	
5	101117828	1	ANTISCALE PUMP ST-15 140M	
6	5226147	1	HOSE PVC 4/7.2	
7	3001237	1	GASKET Ø24.5XØ16X3	
8	106268101	1	HOSE COUPLING W/UNION NUT AND GASKET	
9	4808847	1	HOSE 19 3/4" BLUE ARM	

Part Notes:

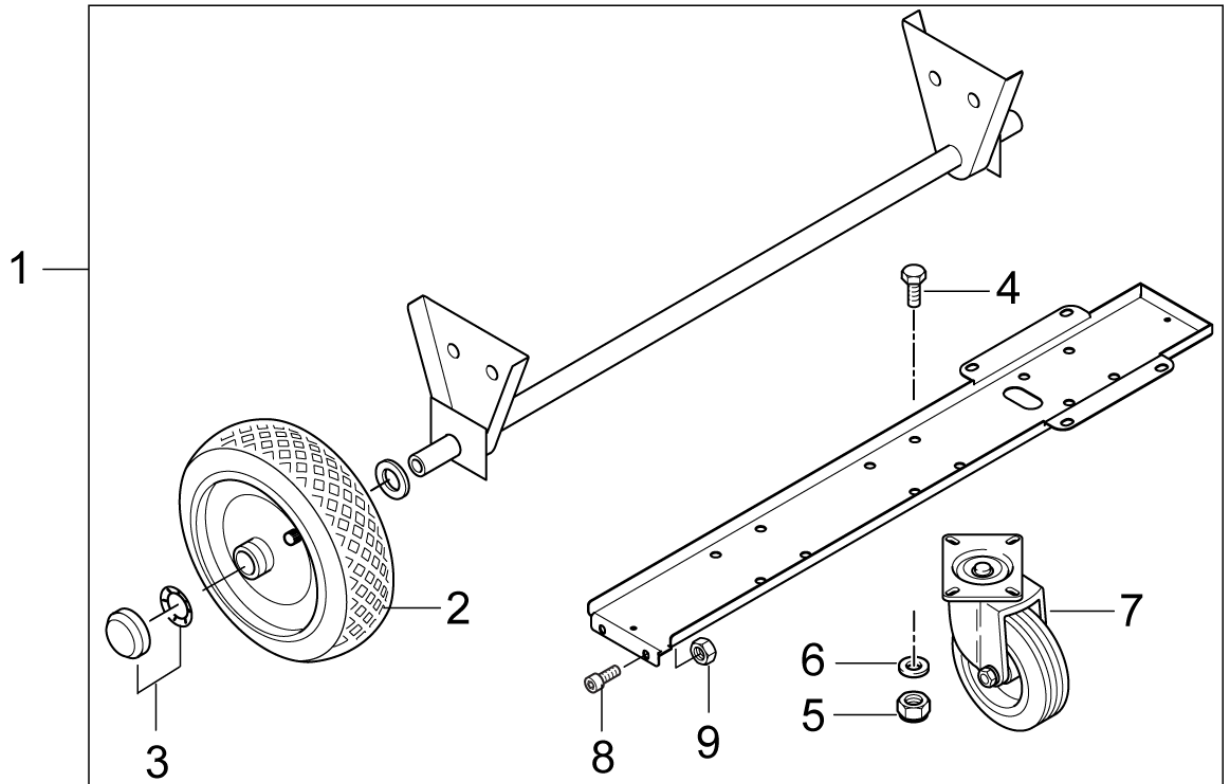
[1] - NO REPLACEMENT

Wheel kit (large)

NEPTUNE 5-54PE / MH 5M 220/1000 PE

2017.11.02

2015.05.07



Wheel kit (large)

NEPTUNE 5-54PE / MH 5M 220/1000 PE

2017.11.02

2015.05.07

No.	Part No.	Qty.	Description	Part Note
1	106239901	1	WHEEL KIT NEP 5-85PE	[1]
2	2011021	2	PNEUMATIC TYRES 400MM	[2]
3	2004265	2	HUB-CAP	
4	8926	12	SCREW M10X20	
5	1801257	12	NUT	
6	1800317	12	WASHER (1100410 4101660)	
7	2013266	1	STEERABLE WHEEL Ø210	[3]
8	8892	2	HEXAGON SCREW M8X16 A2	[2]
9	1809920	2	NUT M8 A2/PA ISO10511	

Part Notes:

- [1] - NO REPLACEMENT
- [2] - STOCK COVERS GUARANTEE
- [3] - NO LONGER AVAILABLE

RECOMMENDED SPARE PARTS

NEPTUNE 5-54PE / MH 5M 220/1000 PE

2017.11.02

2020.03.05

RECOMMENDED SPARE PARTS

NEPTUNE 5-54PE / MH 5M 220/1000 PE

2017.11.02

2020.03.05

No.	Part No.	Qty.	Description	Part Note
00	1119571	1	REP.KIT F. GASKETS (RED.)	[1]
00	3200672	1	KEY 6X6X32	[2]
00	1118546	1	REP.KIT BY-PASS VALVE 02	[1]
00	1118538	1	KEW REP.SET BY-PASS VALVE	[1]
00	301001229	1	SNAP-ON CLIP 3X4QMM	[2]
00	4809281	1	RELAY. GLOW	[3]
00	6350454	1	PISTON	[1]
00	101118252	1	WOBBLE DISC	[3]
00	107144109	1	WATER INLET KIT 1 - NA5	[1]
00	301001148	1	KIT PISTON SEALING 18MM	[1]
00	106268041	1	STARTING SWITCH WITH KEY	[3]
00	107120704	1	BEARING TRACK	[4]
00	2010999	1	WHEEL 225MM FOR 20 5MM	[2]
00	106268070	1	GASKET KIT	[1]
00	301001150	1	OIL SEALING KIT	[1]
00	1807932	1	SELF-SEALING WASHER	[1]
00	107120501	1	FLOW SWITCH HOUSING	[2]
00	6201545	1	HOUSING F. FLOW SWITCH	[2]
00	106268065	1	INLET FITTING KIT	[3]
00	101117673	1	OIL PUMP INCL. FITTINGS	[1]
00	106408244	1	HOSE D6X2.5 - 5 METERS	[3]
00	301000879	1	IGNITION TRANSFORMER	[3]
00	6200561	1	REGULATING OF WATER CAPAC	[2]
00	3001559	1	O-RING 23.47X2.62 NITRIL	[1]
00	106268059	1	TAPER-BUSHING 5-51DE	[2]
00	107144102	1	OIL SEAL KIT - NA5	[1]
00	301001292	1	STRAINER	[2]
00	301150009	1	IGNITION ELECTRODE KIT	[1]
00	4809282	1	GLOW TIMER	[3]
00	101117707	1	COUPLING FOR OIL PUMP BFA	[1]
00	6164602	1	GASKET FOR GEAR	[5]
00	2003481	1	HUBCAP	[2]
00	107143097	1	MOTOR BURNER	[1]
00	106268032	1	REED SWITCH KIT	[1]
00	106268063	1	HOLLOW SCREW KIT	[3]
00	106268050	1	BEARING KIT	[3]
00	301000934	1	HOLDER NEPTUNE SENSOR	[2]
00	301000729	1	FLAME SENSOR	[1]
00	6228663	1	GASKET FOR MOTOR/GEAR	[5]
00	6228554	1	PISTON, COMPL.	[1]
00	301000541	1	SHIELDING CONE NEPTUNE 5	[2]
00	3000320	1	O-RING	[1]
00	106268055	1	PULLY 5-54PE KIT	[2]
00	107141983	1	CYLINDER BLOCK W/O-RING	[3]
00	106268046	1	HP HOSE DN10 585 DKL-DKR90	[2]
00	301001231	1	CIRCUIT BOARD NEPTUNE 3	[1]
00	106268040	1	LED BOARD KIT	[1]
00	106268042	1	PLUG M16 KIT	[2]
00	3001377	1	HEAD GASKET	[1]
00	106268058	1	TAPER-BUSHING 5-54PE 7-72DE SPAREPART	[2]
00	101118159	1	BY PASS VALVE KIT -	[1]
00	101117703	1	CABLE FOR OIL SOLONOIDE	[3]
00	1119195	1	REP.KIT F. SUCT./PRES. VA	[1]
00	1080	1	UNINION FOR 1801	[2]
00	301000790	1	PUMP NP5 13.20 N	[2]
00	1604024	1	SCREW F. OILFILLING	[5]
00	3001179	1	O-RING 39,6 X 2,4	[1]
00	3200664	1	NEEDLE BEARING	[2]

RECOMMENDED SPARE PARTS

NEPTUNE 5-54PE / MH 5M 220/1000 PE

2017.11.02

2020.03.05

No.	Part No.	Qty.	Description	Part Note
00	107120718	1	WOBBLE DISC	[4]
00	3001146	1	OIL GASKET GACO, VITON	[2]
00	301000582	1	BUSHING Ø22X1.5X24	[2]
00	107120700	1	THRUST COLLAR	[1]
00	301001068	1	FUEL NOZZLE 1.35GAL/H 60'	[1]
00	1119570	1	REP.KIT GASKETS, MPS	[1]
00	107120715	1	WOBBLE DISC 11	[2]
00	6220554	1	SCREWED CONNECTION	[2]
00	3600996	1	PRESSURE GAUGE	[2]
00	3000825	1	O-RING 20.24X2.62 NITRIL	[1]
00	909100173	1	O-RING 56.0 X 5.0	[3]
00	301001098	1	COIL NEPTUNE 5	[2]
00	106268034	1	FLOAT SWITCH KIT	[1]
00	106268044	1	HP HOSE DN10 1239 DKL-DKL	[2]
00	3003944	1	O-RING 57.0X4.0 DIN	[2]
00	101117777	1	HOSE CONNECTIONS FOR	[2]
00	6160608	1	SPRING	[2]
00	107141513	1	CYLINDRICAL SCREW M12X65	[1]
00	101118251	1	WOBBLE DISC	[3]
00	12496	1	NUT	[2]
00	106268062	1	BELT 5-51DE KIT	[2]
00	909100141	1	PIPE Dia 4x1	[2]
00	301000889	1	FAN WHEEL 160X60	[2]
00	1118520	1	REP.KIT BY-PASS VALVE	[1]
00	106268033	1	SAFETY THERMOSTAT KIT	[1]
00	106268112	1	HP HOSE DN10 705 DKL-DKL	[2]
00	107141477	1	CASTOR D125 WITH BRAKE	[2]
00	106268056	1	PULLY 5-51DE KIT	[2]
00	3200797	1	ROLLER BEARING NU 207	[5]
00	301000730	1	TEMP SENSOR	[1]
00	4697	1	SCREW M6X16	[2]
00	3200656	1	NEEDLE BEARING INA K	[2]
00	107141985	1	CYLINDER HEAD NA5.2 W.	[3]
00	1400092	1	NOZZLE FILTER	[1]
00	6301166	1	CERAMIC PISTON C3	[1]
00	301002926	1	FILTER	[1]
00	301000886	1	FUEL NOZZLE 1.75GAL/H 60'	[1]
00	106268017	1	BATTERY KIT	[2]
00	301001153	1	VALVE KIT 6 FOR PUMP	[1]
00	101118177	1	GENERATOR KIT FOR	[2]
00	6100602	1	CLIP	[1]
00	4812226	1	FUSE 10A RED	[1]
00	107144409	1	BY PASS VALVE HOUSING	[2]
00	106268030	1	IGNITION CABLE KIT	[3]
00	107142766	1	HOSE NOZZLE	[2]
00	1801075	1	PACKING RING	[1]
00	1802511	1	SEGER CIRCLIP	[2]
00	4809292	1	UNIT CONTROL RELAY	[3]
00	107141988	1	D-BEARING COVER NEPTUNE PE / DE	[2]
00	101117724	1	POWER TRANSFORMER	[3]
00	101118239	1	PISTON KIT - NA5.2	[1]
00	106268061	1	BELT 5-46PE 5-54PE 7-	[1]
00	301000916	1	INSULATION	[1]
00	31000188	1	REP KIT FOR UNLOADER	[1]
00	101117884	1	SEALING KIT FOR REGULATOR	[1]
00	301001146	1	CERAMIC PISTON KIT 18 DIA	[3]
00	106268054	1	PULLEY 5-46PE 7-61PE	[2]
00	2753	1	HEX. SCREW M8X20 ISO	[2]

RECOMMENDED SPARE PARTS

NEPTUNE 5-54PE / MH 5M 220/1000 PE

2017.11.02

2020.03.05

No.	Part No.	Qty.	Description	Part Note
00	101118323	1	WATER SEAL KIT NA5	[1]
00	106268049	1	RETAINING RING WASHER LOOK KIT	[3]
00	106268111	1	HP HOSE DN10 864 DKL-DKL	[2]
00	106268057	1	TAPER-BUSHING 5-46	[2]
00	3000064	1	O-RING 14.1X1.6 NITRIL 7	[1]
00	1081	1	UNION NUT HOSE REEL	[2]
00	6162603	1	WASHER	[2]
00	106268110	1	HP HOSE DN10 900 DKL-DKR90	[2]
00	106268028	1	EXHAUST SAFETY THERMOSTAT	[1]
00	107144104	1	SPRING KIT - NA5	[1]
00	1118512	1	REP.KIT SAFETY VALVE	[1]
00	107141727	1	WASHER 20x13x2 ISO7092	[1]
00	6100915	1	VALVE CONE F. RETURNVALVE	[1]
00	6008041	1	VALVE HANDLE COMP.	[3]
00	3000098	1	COPPER WASHER	[3]
00	101117722	1	SAFETY VALVE ADJUSTED	[2]
00	6221773	1	REED SWITCH WITH O-RING	[1]
00	3200615	1	AXIAL ROLLER BEARING	[2]
00	107144100	1	VALVE KIT - NA5	[1]
00	1119820	1	REP.KIT OILGASKET 03/C3	[1]
00	7012	1	HEXAGON NUT M18X1.5	[2]
00	4812224	1	RELAY 30A	[3]
00	4809276	1	FEED PUMP	[2]
00	301000616	1	LEVEL INDICATOR, PUMP OIL	[1]
00	101118094	1	COUPLING KIT 90D ISO	[2]
00	101119411	1	REED VALVE KIT	[1]
00	301001170	1	VALVE BLOCK COMPL. 18M	[2]
00	106268036	1	CAPACITOR 20MF KIT	[3]
00	9868	1	O-RING 10.2X2.5 NBR 70	[2]
00	101117706	1	PUSH-IN ANGLE FITTING	[2]
00	6300071	1	CYLINDER BLOCK	[2]
00	107120710	1	WOBBLE DISC 6	[4]
00	107120701	1	CYLINDER HEAD C3	[2]
00	6100941	1	FILTER L 7CM	[1]
00	301001151	1	SUPPORT RING 18	[1]
00	4812225	1	FUSE 30A GREEN	[1]
00	3821089	1	COIL WITH NUT AND WASHER	[3]
00	6101750	1	COVER BEARING	[2]

Part Notes:

- [1] - A
- [2] - C
- [3] - B
- [4] - C
TSB-PPW-2019-007 C3 NA6 Wobble Disc and Bearing Track surface hardening change
- [5] - C
STOCK COVERS GUARANTEE

