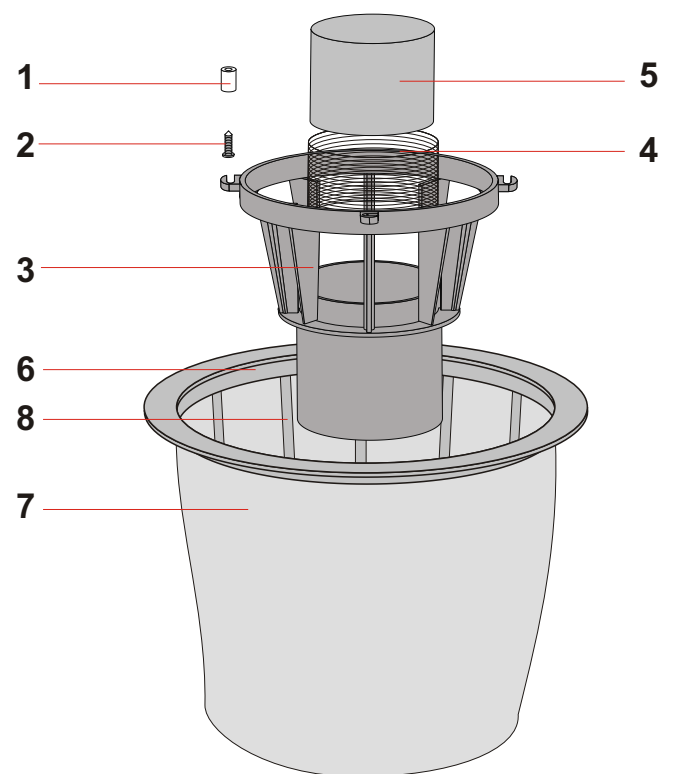
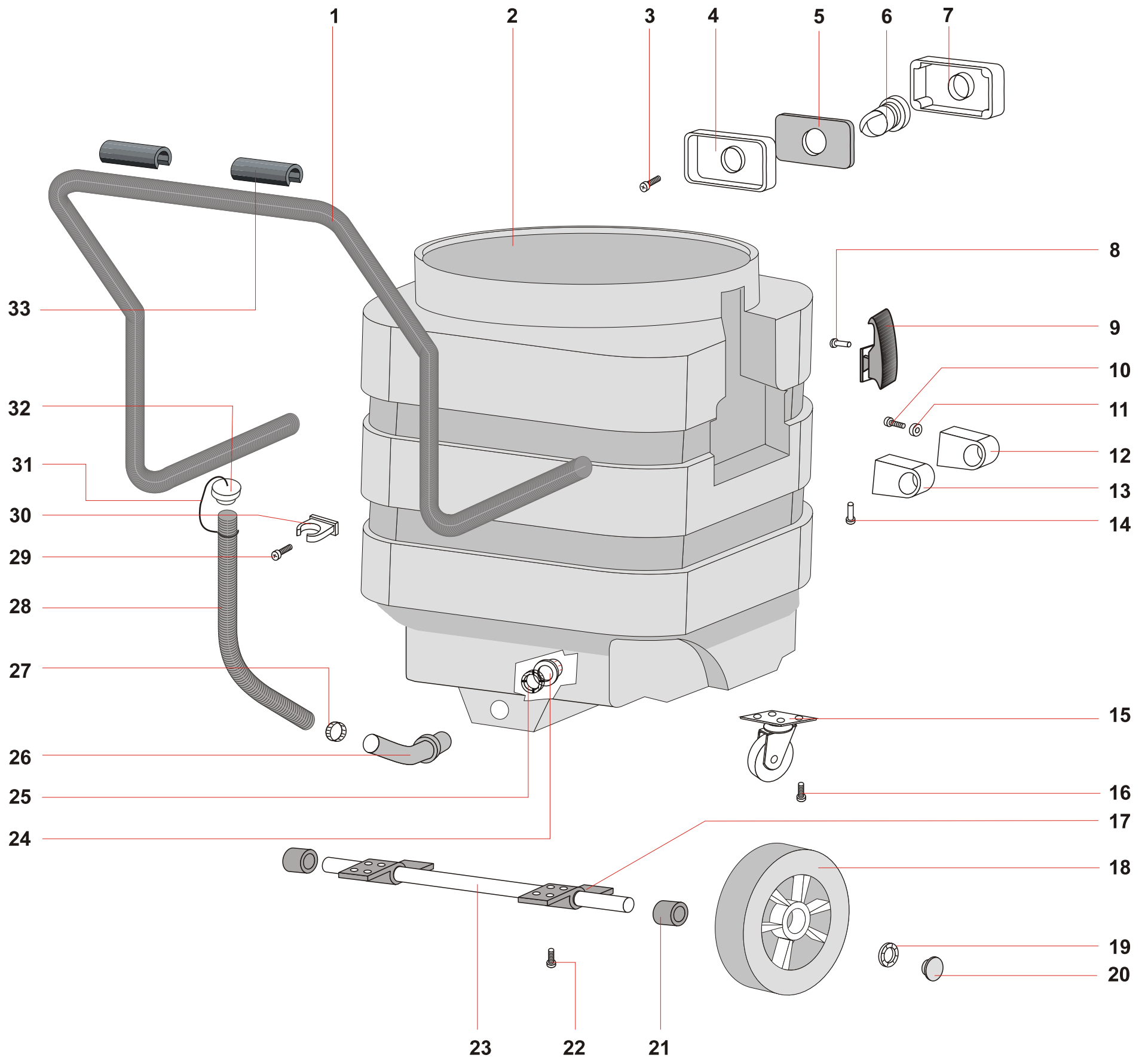


| Head Assembly | | | Complete: VP03062 |
|---|----------|-----------------------------------|-------------------|
| Ref. | Part | Description | N° |
| 1 | VP00489 | ELECTRICAL CABLE 3X1.5 MT.8.5 AUS | 1 |
| 2 | VP00138 | SLEEVE JELECT CORDI | 1 |
| 3 | VP00139 | SECURING BLOCK | 1 |
| 4 | K-NSI | SCREW M5X20 | 2 |
| 5 | VP03032 | ELECTRIC CORD HOOK - MEC | 1 |
| 6 | K-NSI | SCREW M5X50 | 4 |
| 7 | VP03034 | RIVIERA HANDLE | 1 |
| 8 | K-NSI | SCREW M5X35 | 2 |
| 9 | K-NSI | SCREW M5X20 | 4 |
| 10 | K-NSI | SCREW M5X14 | 2 |
| 11 | VP020029 | TERMINAL BOARD | 1 |
| 12 | K-NSI | SCREW M5X50 | 2 |
| 13 | VP03051 | TOP COVER 2MTR VH623PL | 1 |
| 14 | K-NSI | SCREW M5X20 | 2 |
| 15 | VP00484 | SWITCH RED C/W COVER ILLUMINATED | 2 |
| 16 | VP03937 | VAC MOTOR FILTER | 2 |
| 17 | K-NSI | SCREW M5X55 | 9 |
| 18 | VP01502 | GUIDE FOR Q/C | 1 |
| 19 | VP03383 | CAP | 1 |
| 20 | VP02957 | COVER INTER NEV 600 3MTR | 1 |
| 21 | K-NSI | SCREW M5X40 | 9 |
| 22 | K-NSI | SCREW M5X40 | 3 |
| 23 | VP02937 | MOTOR PLATE | 1 |
| 24 | K-NSI | SCREW 4.3X19 | 1 |
| 26 | VP03969 | FILTER | 2 |
| 27 | K-NSI | SCREW M5X20 | 8 |
| 28 | VP03901 | MOTOR GASKET | 2 |
| 29 | VP03890E | VAC MOTOR 1200W BY-PASS | 2 |
| 30 | VP03901 | MOTOR GASKET | 2 |
| 31 | K-NSI | SCREW M5X20 | 4 |
| 32 | VP03901 | MOTOR GASKET | 1 |
| 33 | VP03451 | MOTOR BLOCK | 1 |
| 34 | VP03454 | NOISE FILTER | 3 |
| 35 | VP03456 | NOISE FILTER | 3 |
| 36 | VP00468 | VALVE AUTOMATIC | 2 |
| 37 | VP03519 | INLET CAP | 1 |
| 38 | VP03108 | MOTOR BASE PL 600 2MTR | 1 |
| 39 | VP06495 | COMPLETE 3 PIN SOCKET NO COVER | 1 |
| 40 | K-NSI | SCREW 4X12 UNI 7688 | 4 |
| 41 | K-NSI | NUT M4 UNI 5588 | 4 |
| K-NSI (Parts not stocked by Kerrick. Maybe available from local hardware) | | | |

| Filter Assembly | | | VH623PL |
|-----------------|---------|--|---------|
| Ref. | Part | Description | N° |
| 1 | VP03706 | FLOAT CAGE BUSH | 4 |
| 2 | K-NSI | SCREW M5X25 | 4 |
| 3 | VP02823 | UPPER ANTI FOAM BODY | 1 |
| 4 | VP03117 | GAUZE FILTER D90 H76 | 1 |
| 5 | VP02676 | FLOAT - 400 SERIES | 1 |
| 6 | VP00473 | FILTER BAG RING | 1 |
| 7 | VP02845 | FILTER BAG | 1 |
| 8 | VP02833 | FILTER BAG BASKET | 1 |
| * | VP03240 | COMPLETE KIT: RING+FILT+BASK.400 CONIC.SAN | 1 |



623PL Vacuum Cleaner



| Tank Assembly | | | Complete: VP02615 |
|---------------|---------|------------------------------------|-------------------|
| Ref. | Part | Description | N° |
| 1 | VP02558 | HANDLE - MARKET P/L TANK | 1 |
| 2 | VP02637 | TANK BODY | 1 |
| 3 | K-NSI | SCREW M8 X32 | 4 |
| 4 | VP02584 | MOUNTING PLATE FLAT 623PL | 1 |
| 5 | VP02653 | 36MM/38MM TANK INLET WITH POS LOCK | 1 |
| 6 | VP02653 | 36MM/38MM TANK INLET WITH POS LOCK | 1 |
| 7 | VP02653 | 36MM/38MM TANK INLET WITH POS LOCK | 1 |
| 8 | K-NSI | RIVET 5X24.5 | 4 |
| 9 | VP01847 | TANK CLIP | 2 |
| 10 | K-NSI | SCREW 4.8 X32 | 8 |
| 11 | K-NSI | RUBBER WASHER | 8 |
| 12 | VP01072 | HANDLE SUPPORT | 2 |
| 13 | VP01860 | NEVADA HANDLE | 2 |
| 14 | K-NSI | RIVET 5X19 | 2 |
| 15 | VP02559 | CASTOR WHEEL | 2 |
| 16 | K-NSI | SCREW M4X15 | 8 |
| 17 | VP02556 | PIN WHEEL SUPPORT | 2 |
| 18 | VP00904 | REAR WHEEL - MARKET TROLLEY | 2 |
| 19 | VP02557 | RING D18 | 2 |
| 20 | VP03835 | CAP | 2 |
| 21 | VP02607 | WHEEL SPACER MARKET TANK | 2 |
| 22 | K-NSI | SCREW M5X20 | 8 |
| 23 | VP02555 | WHEEL AXLE 623PL | 1 |
| 24 | VP00834 | RING 1.1/4 | 1 |
| 25 | VP00256 | GASKET DRAIN CAP CAL/GAR | 1 |
| 26 | VP02763 | FITTING CONNECTOR 45DEG | 1 |
| 27 | K-NSI | CLAMP 300 X9 | 1 |
| 28 | VP02765 | DRAIN HOSE L600 | 1 |
| 29 | K-NSI | SCREW M5X20 | 1 |
| 30 | VP02788 | CLAMP D34 | 1 |
| 31 | VP02812 | TIE ROD CAP | 1 |
| 32 | VP02764 | CAP PVC D40X35 | 1 |
| 33 | VP06250 | PLASTIC HANDLE | 2 |