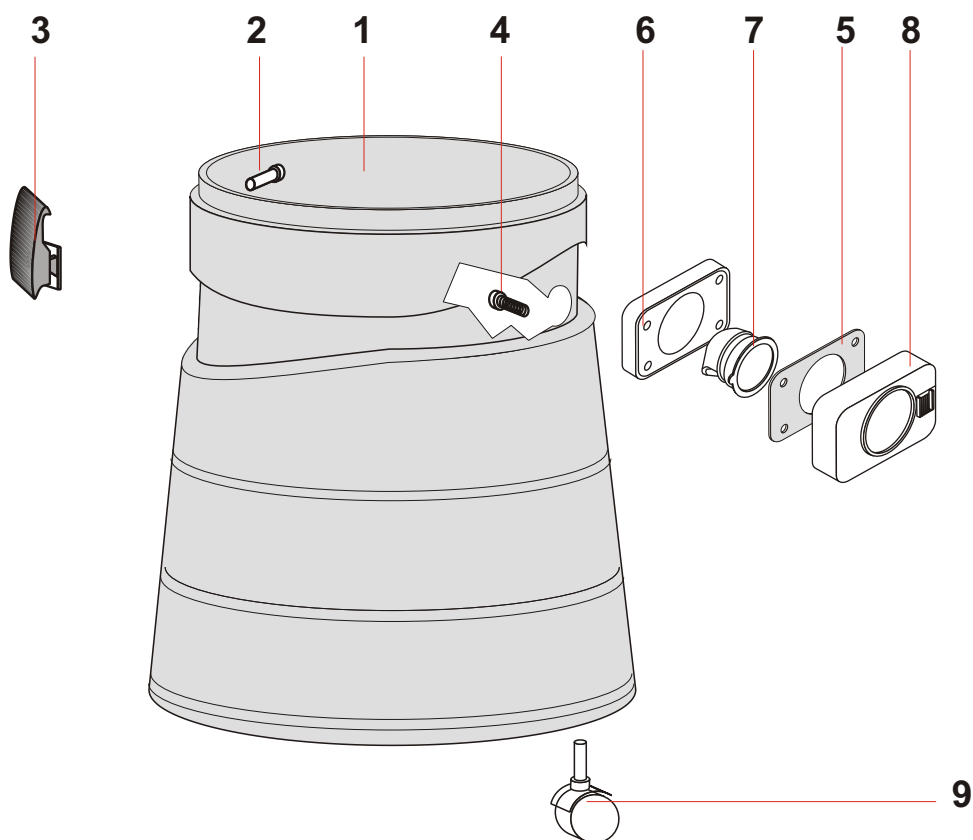
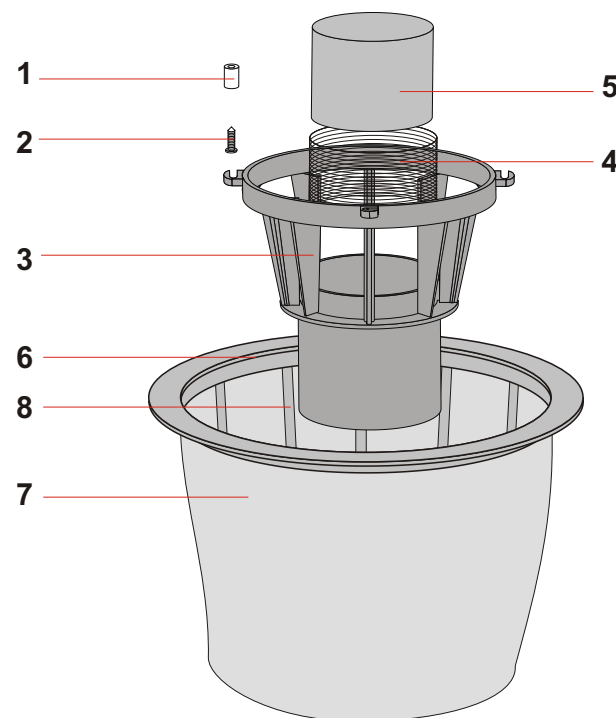


Head Assembly			Complete: VP02664
Ref.	Part	Description	N°
1	K-NSI	ELECTRICAL CABLE 2X1 MT 8.5	1
2	VP00138	SLEEVE (ELECT CORD)	1
3	VP00139	SECURING BLOCK	1
4	K-NSI	SCREW PFU TMT PHL 5X20	2
5	VP03464	TERMINAL BLOCK	1
6	VP02589	ELECTRIC CORD HOOK - PL	1
7	K-NSI	SCREW PAT TMT PHL 5X30	4
8	VP02588	HANDLE	1
9	K-NSI	SCREW PAT TMT PHL 5X35	2
10	K-NSI	SCREW PAT TMT PHL 5X35	2
11	VP02590RN	TOP COVER NO P/HEAD OUTLET VH503PL	1
12	VP00326	SWITCH WHITE C/W COVER	1
13	K-NSI	SCREW PFU TMT PHL 5X20	4
14	VP03937	VAC MOTOR FILTER	1
15	K-NSI	SCREW PAT TMT PHL 5X35	6
16	VP02738	COVER NEVADA	1
17	VP03969	FILTER	1
18	VP03900	FILTER	1
19	K-NSI	SCREW PAT TMT PHL 5X40	6
20	K-NSI	SCREW PFU TMT PHL 5X20	4
21	VP02591	MOTOR FASTENER	1
22	VP03901	MOTOR GASKET	1
23	VP03975S	VAC MOTOR 1200W BY-PASS	1
24	VP03901	MOTOR GASKET	1
25	VP03866	FILTER ROUND	1
26	VP01189	MOTOR BASE 103/115R/503PL	1
*	K-NSI	ELECTRICAL KIT	1

Filter Assembly			VH503PL
Ref.	Part	Description	N°
1	VP03706	FLOAT CAGE BUSH	4
2	K-NSI	SCREW PAT TMT PHL 5X25	4
3	VP02823	UPPER ANTI FOAM BODY	1
4	VP03138	GAUZE FILTER D90 H45	1
5	VP02676	FLOAT - 400 SERIES	1
6	VP00507	FILTER BAG RING 503PL/503MEC	1
7	VP02860	FILTER BAG 115/215/503	1
8	VP02859	FILTER BASKET	1



Tank Assembly			Complete: VP02668
Ref.	Part	Description	N°
1	VP02599	TANK BODY	1
2	K-NSI	RIVET 5X24,5	4
3	VP01847	TANK CLIP	2
4	K-NSI	SCREW AUT TC PHL 4,8X32	4
5	VP02653	36MM/38MM TANK INLET WITH POS LOCK	1
6	VP02653	36MM/38MM TANK INLET WITH POS LOCK	1
7	VP02653	36MM/38MM TANK INLET WITH POS LOCK	1
8	VP02653	36MM/38MM TANK INLET WITH POS LOCK	1
9	VP00558	CASTOR WHEEL	6