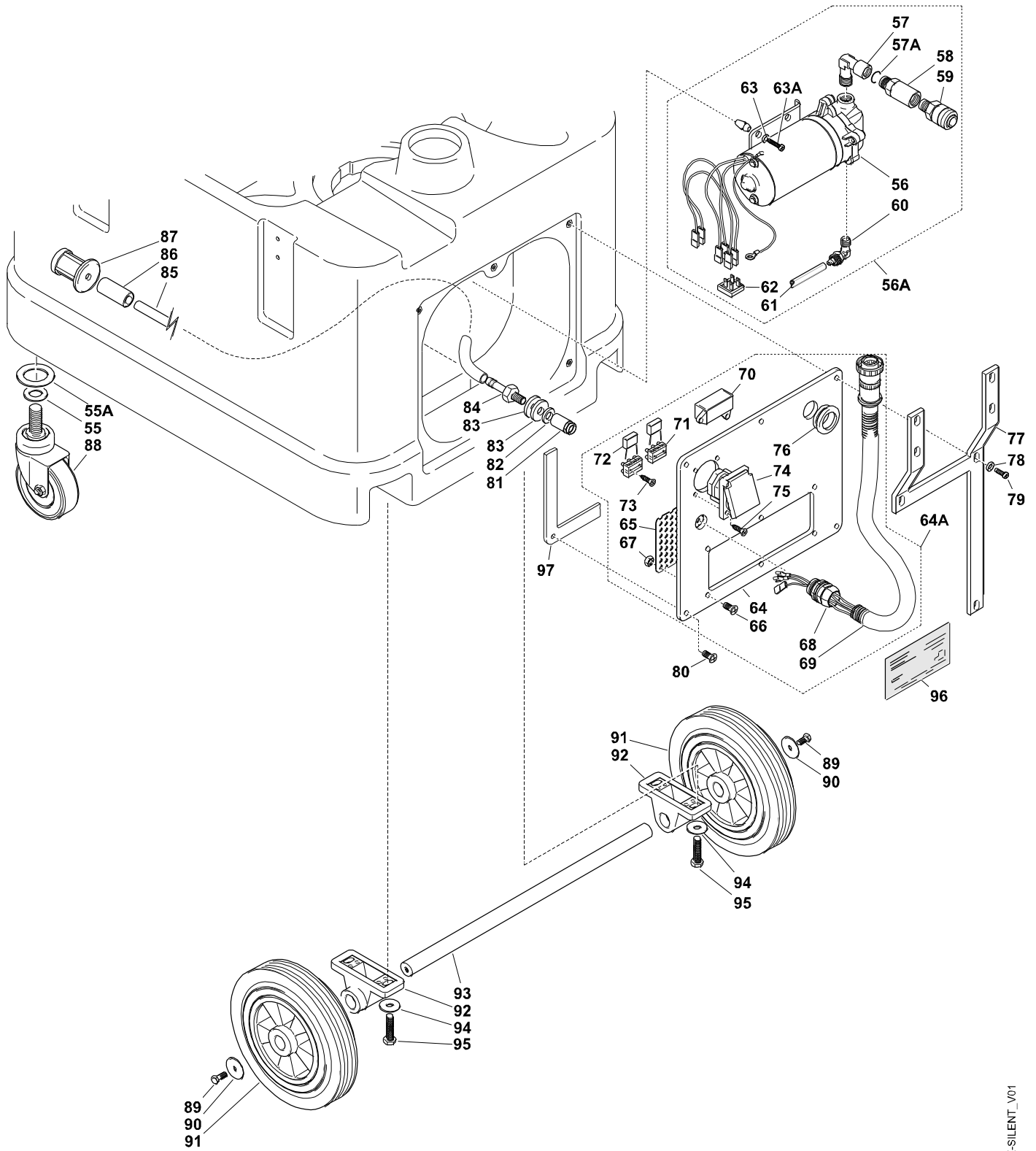


TABLE 11 3/3
November 2015
GRACE-SILENT
(FROM S/N 86.500)



LAVAMOQUETTE AD ESTRAZIONE – NUOVA GRACE-SILENT (N.SERIE 86.500)
INJECTION-EXTRACTION MACHINE – NEW GRACE-SILENT (SERIAL N> 86.500)

| rif. | codice | descrizione | description |
|------|-----------------|--|--|
| 1+2 | 178C | COPERCHIO CON GUARNIZIONE | COVER WITH GASKET |
| 2 | 179 | GUARNIZIONE | GASKET |
| 3 | 217 | INTERRUTTORE A 2 POSIZIONI | 2 POSITIONS SWITCH |
| 4 | 176 | PANNELLO | PANEL |
| 4A | 181 | ETICHETTA PANNELLO SUP.GRACE | LABEL FOR UPPER PANEL |
| 4B | 128 | GUARNIZIONE PANN. SUP | UPPER PANEL GASKET |
| 5 | 551 | VITE INOX TC+ 4x16 | STAINLESS STEEL SCREW TC+ 4x16 |
| 6 | 2361 | MORSETTO | CONNECTING TERMINAL |
| 6A | 8132 | VARISTORE PER POMPA SHURFLO/FLOJET (230V) | VARISTOR (230V) |
| 7 | 3641C-GRACE | TUBO D.50 SPEZZONE GRACE-SILENT +MANICOTTI | COMPLETE HOSE D.50 FOR GRACE-SILENT |
| 8 | 3652 | BOCCHETTONE D.50 PER GRACE SILENT | HOSE NIPPLE D.50 FOR GRACE SILENT |
| 9 | 548134 | GHIERA 1+3/4" PER GRACE-SILENT | RING NUT 1 + 3/4" FOR GRACE-SILENT |
| 10 | 153.1 | GOMITO 90° GRANDE SENZA GUARNIZ. | LARGE ELBOW 90° WITHOUT GASKET |
| 10A | 153.2 | GUARNIZ. PER GOMITO ASPIR.90° GRANDE | GASKET FOR LARGE ELBOW 90° |
| 10B | 519 | RIVETTO 4 x 12 | RIVET 4 x 12 |
| 11 | 1533C | GOMITO 90° OVALE CON GRATA | ELBOW 90° - OVAL SHAPE |
| 13 | 1591C-GRSIL | TUBO SCARICO COMPLETO PER GRACE | COMPLETE DRAIN HOSE FOR GRACE-SILENT |
| 14 | 541 | FASCETTA PER TUBO SCARICO D.28 265x9 | TIE |
| 15 | 542 | VITE AUTOFIL. TC+ 4,2x16 Zn | SCREW 4,2x16 |
| 16 | 1602 | CLIP PER TUBO SCARICO DIAM.38 GRACEHP | CLIP FOR DRAIN HOSE D.38 |
| 17 | 1612 | PORTAGOMMA 1" 1/4 PER DIAM.38 | HOSE NIPPLE 1"1/4 FOR DIAM.38 |
| 18 | 259-GRACE | CONNETTORE A PANN+CAV.GRACE 2 MOT(PRESA) | SOCKET FOR GRACE, WITH WIRES |
| 19 | 538 | VITE TC+ 3,9x13 | SCREW TC+ 3,9x13 |
| 20 | 109 | PIASTRINA PER PRESSACAVO | FAIRLEAD PLATE |
| 20A | 295 | PASSACAVO CON GHIERA | FAIRLEAD WITH NUT |
| 21 | 2091 | CAVO COMPLETO 3x2,5x10M. SPINA EURO | CABLE 3x2,5x10M. COMPLETE WITH EURO PLUG |
| | 215 | CAVO 3xAWG14 L.15m. SJTW-CSA SPINA USA | CABLE 3xAWG14 L.15m. SJTW-CSA USA PLUG |
| 21A | 541 | FASCETTA PER TUBO SCARICO D.28 265x9 | TIE |
| 22 | 1510AZ | SERBATOIO SUPERIORE AZZURRO GRACE-SILENT | GRACE-SILENT BLUE UPPER TANK |
| 23 | 183 | GOMITO | ELBOW |
| 23A | 519 | RIVETTO 4 x 12 | RIVET 4 x 12 |
| 24 | 18801 | SUPPORTO FILTRO ASPIRAZ.GRANDE GRACE-SIL | SUPPORT FOR GRACE-SILENT LARGE FILTER |
| 24A | 18804 | GUARNIZIONE PORTAFILTRO GRACE-SILENT | GASKET FOR FILTER SUPPORT |
| 24B | 599 | SPINA CILINDRICA 4x34,8 ACCIAIO TEMPER. | CYLINDRIC PIN 4x34,8 - INOX |
| 25 | 18803 | FILTRO PPI30 GRANDE ASPIRAZ.GRACE-SIL | LARGE FILTER PPI30 – GRACE-SILENT |
| 26 | 17042C-GRACESIL | GRUPPO MOBILE COMPL.GALLEGG.GRACE-SILENT | COMPL.GROUP – GRACE-SILENT FLOATER MOVING PART |
| 26A | 1707 | GALLEGGIANTE SFERICO CON SEDE PER VITE | FLOATER WITH THREAD FOR SCREW |
| 26B | 1715 | PIASTRINA PER GALLEGGIANTE GRACE-SILENT | PLATE FOR GRACE-SILENT FLOATER |
| 26C | 58206W | VITE TE 6x8 INOX passo 1/4x3/8 WHITWORTH | SCREW TE 6x8 INOX passo 1/4x3/8 WHITWORTH |
| 26D | 582 | VITE TE 6x14 UNI 5739 INOX | SCREW TE 6x14 UNI 5739 INOX |
| 26E | 562R | DADO ES. 6 MA INOX CON RONDELLA | NUT INOX D.6 WITH WASHER |
| 26F | 18802 | PARTE MOBILE GALLEGGIANTE IND. GRACE-SIL | MOVING PART GRACE-SILENT IND. FLOATER |
| 26G | 52106I | RONDELLA DENTELLATA EST.DIAM 6 INOX | LOCKING WASHER DIAM 6 INOX |
| 27 | 49150 | SUPPORTO INF. ACCESSORI E TUBI GRACE-SIL | SUPPORT FOR ACCESSORIES AND HOSES GRACE-SILENT |
| 27A | 519 | RIVETTO 4 x 12 | RIVET 4 x 12 |
| 27B | 529 | RONDELLA PIANA 4x16x1 INOX UNI 6593 | WASHER 4x16x1 INOX UNI 6593 |
| 27C | 117-HOOK | GANCIO D.38 PER NS300 | HOOK D.38 FOR NS300 |
| 28 | 1520AZ | SERBATOIO INFERIORE AZZURRO GRACE-SILENT | GRACE-SILENT BLUE LOWER TANK |
| 28A | 1552 | GUARNIZIONE SERB.CHARIS/SERE/GRACE ANTER | FRONT GASKET FOR TANK |
| 28B | 1871 | ETICHETTA "SANTOEMMA" PER SERBATOI | SANTOEMMA LABEL FOR TANKS |
| 29 | 1556 | GUARNIZIONE SERB/COLLETT.GRACE-SILENT(3 STADI) | GASKET TANK/MANIFOLD GRACE-SILENT (3 STAGES) |
| 30 | 2061 | LISTA BUGNATA ADES. MOT.SUP.GRACE SILENT | UPPER SOUNDPROOFING PART GRACE SILENT |

LAVAMOQUETTE AD ESTRAZIONE – NUOVA GRACE-SILENT (N.SERIE>86.500)
INJECTION-EXTRACTION MACHINE – NEW GRACE-SILENT (SERIAL N.>86.500)

| rif. | codice | descrizione | description |
|------|--------|---|--|
| 31 | 1550N2 | COLLETORE MOTORI GRACE/POW. SILENT | MANIFOLD FOR GRACE-SILENT MOTORS |
| 31A | 15541 | GUARNIZIONE ADESIVA COLLETT.GRACE-SILENT | GASKET FOR GRACE-SILENT MANIFOLD |
| 32 | 56352 | DISTANZIALE VITI COLLETORE GRACE-SILENT (3ST) | THIMBLE FOR MANIFOLD SCREWS GRACE-SILENT |

| | | | |
|-----|-------------------|---|---|
| 33 | 517I | RONDELLA PIANA 5x15x1,5 UNI 6593 INOX | WASHER 5x15x1,5 UNI 6593 INOX |
| 34 | 5713I | VITE TC+ 5x50 UNI 7687 INOX (3 STADI) | SCREW TC+ 5x50 UNI 7687 INOX (3 STAGES) |
| | 571I | VITE TC+ 5x40 UNI 7687 INOX (2 STADI) | SCREW TC+ 5x40 UNI 7687 INOX (2 STAGES) |
| 35 | 811 | GUARNIZIONE MOTORE D.145x5 (3 STADI-240V) | MOTOR GASKET D.145x5 (3 STAGES-240V) |
| | 825 | GUARNIZIONE MOTORE D.145x3 (2 STADI 120V-240V) | MOTOR GASKET D.145x3 (2 STAGES 120V-240V) |
| | 81213 | GUARNIZIONE MOTORE D.145x13 (3 STADI-100V) | MOTOR GASKET D.145x13 (3 STAGES-100V) |
| 36 | 808PA/AK | MOTORE 3 STADI AKUSTEK 1500W 240V 60Hz (HW) | 3 STAGES AKUSTEK MOTOR 1500W 240V 60Hz (HW) |
| | 821 | MOTORE 1200W 220-240V 50/60 HZ | 2 STAGES MOTOR 1200W 220-240V 50/60 HZ |
| | 820 | MOTORE 1000W 110-120V 50/60 HZ | 2 STAGES MOTOR 1200W 110-120V 50/60 HZ |
| | 810PA | MOTORE 3 STADI PAGODA 1300W 100V 50-60Hz | 3 STAGES MOTOR 1300W 100V 50-60Hz |
| 37 | 13211 | CILINDRO INSONORIZZ. SUP. MOT. GRACE-SIL | SOUNDPROOFING UPPER CYLINDER FOR GRACE-SILENT |
| 37A | 81213 | GUARNIZIONE MOTORE D.145x13 (SOLO PER 2 STADI) | MOTOR GASKET D.145x13 (FOR 2 STAGES ONLY) |
| 38 | 824 | VALVOLA MOTORE | MOTOR VALVE |
| 39 | 50243 | TAPPO CIRCOLARE SERBATOIO INF. GRACE | ROUND CAP FOR GRACE LOWER TANK |
| 40 | 142 | GANCIO | COUPLER |
| 41 | 542 | VITE AUTOFIL. TC+ 4,2x16 Zn | SCREW TC+ 4,2x16 Zn |
| 42 | 2062 | LISTA BUGNATA ADES. MOT.INF.GRACE SILENT | LOWER SOUNDPROOFING PART GRACE SILENT |
| 43 | 13212 | CILINDRO INSONORIZZ. INF. MOT. GRACE-SIL | SOUNDPROOFING LOWER CYLINDER FOR GRACE-SILENT |
| 44 | 1412 | FLANGIA INF. MOTORE GRACE-SILENT | LOWER FLANGE GRACE-SILENT MOTOR |
| 45 | 1322 | SOFFIETTO CIRCOLARE ARIA RAFFREDDM OTORE | ROUND SEALING PART FOR MOTOR COOLING AIR |
| 46 | 13221 | SOFFIETTO TRIANGOL. ARIA RAFFR. GRACE | SEALING PART FOR GRACE COOLING AIR |
| 47 | 2000C | INSONORIZZ.FL.INF.SABR. COMPL(2000+2011) | COMPLETE SOUNDPROOFING PANEL (2000+2011) |
| 48 | 544 | VITE AUTOFIL. TC+ 4.2x22 Zn | SCREW TC+ 4.2x22 Zn |
| 49 | 536 | VITE INOX TC+ 4x10 | STAINLESS STEEL SCREW TC+ 4x10 |
| 50 | 536 | VITE INOX TC+ 4x10 | STAINLESS STEEL SCREW TC+ 4x10 |
| 51 | 1334 | COPERCHIO PLASTICA SERB.INF.ELITE | COVER FOR LOWER TANK |
| 51A | 13341 | CORDICELLA PER COPERCHIO SERB.INF.ELITE | TIE FOR LOWER TANK COVER |
| 52 | 29714 | CAVO 3x1,5mmq SPEZZ. GRACE-SILENT L700mm | CABLE 3x1,5mmq FOR GRACE-SILENT L700mm |
| 53 | 1482 | PIASTRA COPERT.CAVI SERB.INF.GRACE-SIL | COVER PLATE FOR CABLES GRACE-SILENT |
| 54 | 542 | VITE AUTOFIL. TC+ 4,2x16 Zn | SCREW TC+ 4,2x16 Zn |
| 55 | 540 | RONDELLA PIANA 10x20x0,8 OTTONE | WASHER 10x20x0,8 |
| 55A | 597 | RONDELLA PIANA 20x37x3 UNI 6592 Zn | WASHER 20x37x3 UNI 6592 Zn |
| 56 | 643 | POMPA 220-240V 50-60 Hz 100 PSI+RADDRIZZ.27935 | PUMP 220-240V 50-60 Hz 100 PSI+ RECTIFIER 27935 |
| | 644 | POMPA 100-120V 50-60 Hz 100 PSI (RADDRIZZ. INT) | PUMP 100-120V 50-60 Hz 100 PSI (INTERNAL RECT.) |
| 56A | 643C-M | POMPA 220-240V 50-60 Hz 100 PSI+RADDRIZZ.27935 +RACCORDI + INN. METALLO | PUMP 220-240V 50-60 Hz 100 PSI+ RECTIFIER 27935 + FITTINGS + METAL COUPLING |
| | 644C-M | POMPA 100-120V 50-60 Hz 100 PSI (RADDRIZZ. INT.) +RACCORDI + INN. METALLO | PUMP 100-120V 50-60 Hz 100 PSI (INTERNAL RECT.) +FITTINGS + METAL COUPLING |
| 57 | 7201 | RACCORDO GOMITO PLASTICA MF 3/8-3/8" | ELBOW MF 3/8-3/8" |
| 57A | 13738 | ORING | ORING |
| 58 | 753 | PROLUNGA POMPA FLOJET-SHURFLO INN.MET. | EXTENSION FOR METAL COUPLING |
| 59 | 687-T | INNESTO RAPIDO FEMMINA – METALLO | QUICK DISCONNECT FEMALE – METAL |
| 60 | 622 | RACCORDO GOMITO M.3/8 PER TUBO 6/8 | ELBOW COUPLING M.3/8 FOR HOSE 6/8 |
| 61 | 733 | TUBO F15 SPEZZONE POMPA S.MAXI 230mm | HOSE FOR PUMP L=230mm |
| 62 | 27935 | RADDRIZZATORE PONTE 35A 1000V GBPC | RECTIFIER 35A 1000V GBPC |
| 63 | 517I | RONDELLA PIANA 5x15x1,5 UNI 6593 INOX | WASHER 5x15x1,5 UNI 6593 INOX |
| 63A | 546 | VITE TC+ 5x25 DIN 7985 Zn | SCREW TC+ 5x25 DIN 7985 Zn |
| 64 | 1481 | PANNELLO COMANDI INFERIORE GRACE-SILENT | LOWER CONTROL PANEL GRACE-SILENT |
| | 1481-USA | PANNELLO COMANDI INFER.GRACE-SILENT USA | LOWER CONTROL PANEL GRACE-SILENT USA |
| 64A | PA-GRACE-INF | PANNELLO INF. GRACE 220V+PRESA (230V) | COMPLETE LOWER PANEL FOR GRACE (230V) |
| | PA-GRACE USA2-INF | PANNELLO INF. GRACE USA 2 MOTORI (100-120V) | COMPLETE LOWER PANEL FOR GRACE USA (100-120V) |

November 2015

LAVAMOQUETTE AD ESTRAZIONE – NUOVA GRACE-SILENT (N.SERIE >86.500)
INJECTION-EXTRACTION MACHINE – NEW GRACE-SILENT (SERIAL N.>86.500)

TAVOLA 11 3/3
TABLE 11 3/3

| rif. | codice | descrizione | description |
|------|---------------|--|--|
| 65 | 1801 | GRATA AEREAZONE PANNELLO GRACE-SILENT | COOLING PLATE GRACE-SILENT PANEL |
| 66 | 536 | VITE TC+ 4x10 INOX UNI 7687 | SCREW TC+ 4x10 INOX UNI 7687 |
| | 53620 | VITE TC+ 4x20 INOX UNI 7687 | SCREW TC+ 4x20 INOX UNI 7687 |
| 67 | 523 | DADO ES. 4 MA UNI 5587 OTTONE | NUT ES. 4 MA UNI 5587 |
| 68 | 262C | RACCORDO GUAINA-PANNELLO GRACE+GHIERA | CONNECTING PART FOR CABLE-PANEL |
| 69 | 261-GRACE | GUAINA CON CAVETTI + COD.260+265 | CABLE SHEATH WITH WIRES +COD.260+265 |
| | 261-GRACE-USA | GUAINA GRACE+CAVETTI USA+260+265 (500mm) | CABLE SHEATH WITH WIRES +COD.260+265 FOR USA |
| 70 | 290 | FILTRO ANT.RADIO POMPA MAXI (230V) | RADIO INTERFERENCE SUPPRESSOR (230V) |
| 71 | 236 | MORSETTO | CONNECTING TERMINAL |

| | | | |
|----|-------|--|--|
| 72 | 235 | FILTRO ANTID.RADIO SABRINA PER MOTORE (230V) | RADIO INTERFERENCE SUPPRESSOR FOR MOTOR (230V) |
| 73 | 5612 | VITE AUTOFIL. TC+ SVASATA 2,9x16 INOX | SCREW TC+ SVASATA 2,9x16 INOX |
| 74 | 2690 | PRESA A PANNELLO TIPO EURO | ELECTRICAL OUTLET FOR EURO PLUG |
| 75 | 538 | VITE AUTOFIL. TC+ 3.9x13 | SCREW TC+ 3,9x13 |
| 76 | 163 | BOCCOLA | BUSH |
| 77 | 47234 | PIASTRA HEATER E SMARTKIT GRACE-SILENT | PLATE FOR FIXING HEATER / SMARTKIT ON GRACE-SILENT |
| 78 | 529 | RONDELLA PIANA 4x16x1 INOX UNI 6593 | WASHER 4x16x1 INOX UNI 6593 |
| 79 | 53620 | VITE TC+ 4x20 INOX UNI 7687 | SCREW TC+ 4x20 INOX UNI 7687 |
| 80 | 536 | VITE TC+ 4x10 INOX UNI 7687 | SCREW TC+ 4x10 INOX UNI 7687 |
| 81 | 714 | INNESTO RAPIDO FEMMINA | QUICK DISCONNECT FEMALE |
| 82 | 540 | RONDELLA OTTONE | BRASS WASHER |
| 83 | 147 | RONDELLA NEOPRENE | NEOPRENE WASHER |
| 84 | 702D | RACCORDO PORTAGOMMA | CONNECTING PART |
| 85 | 745 | TUBO EXTRAFLEX SPEZZ.FILTRO GRACE 67cm | EXTRAFLEX HOSE FOR FILTER 67cm |
| 86 | 747 | ZAVORRA | BALLAST |
| 87 | 608 | FILTRO ACQUA | FILTER |
| 88 | 115.1 | RUOTA D.100 PER POWERFUL/ELITE | WHEEL |
| 89 | 582 | VITE TE 6x14 INOX | STAINLESS STEEL SCREW TE 6x14 |
| 90 | 5632 | RONDELLA PIANA 6x30x2 Zn | WASHER 6x30x2 Zn |
| 91 | 422 | RUOTA | WHEEL |
| 92 | 419N | DISTANZIALE-SUPPORTO PER ALBERO | PILLOW BLOCK |
| 93 | 4181 | ALBERO D.20 PER RUOTE SERENA/ELITE | SHAFT FOR WHEELS SERENA/ELITE |
| 94 | 594 | RONDELLA 8x24 Zn | WASHER 8x24 Zn |
| 95 | 583 | VITE TE 8x20 UNI 5739 Zn 8.8 | SCREW TE 8x20 UNI 5739 Zn 8.8 |
| 96 | 157 | ETICHETTA PANNELLO INF.GRACE -SILENT | LABEL FOR LOWER PANEL GRACE-SILENT |
| 97 | 1866 | GUARNIZIONE PER PANNELLO GRACE-SILENT | GASKET FOR GRACE-SILENT PANEL |