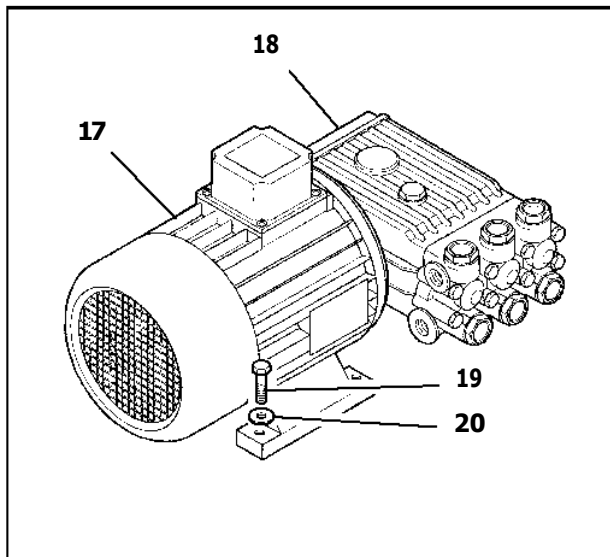
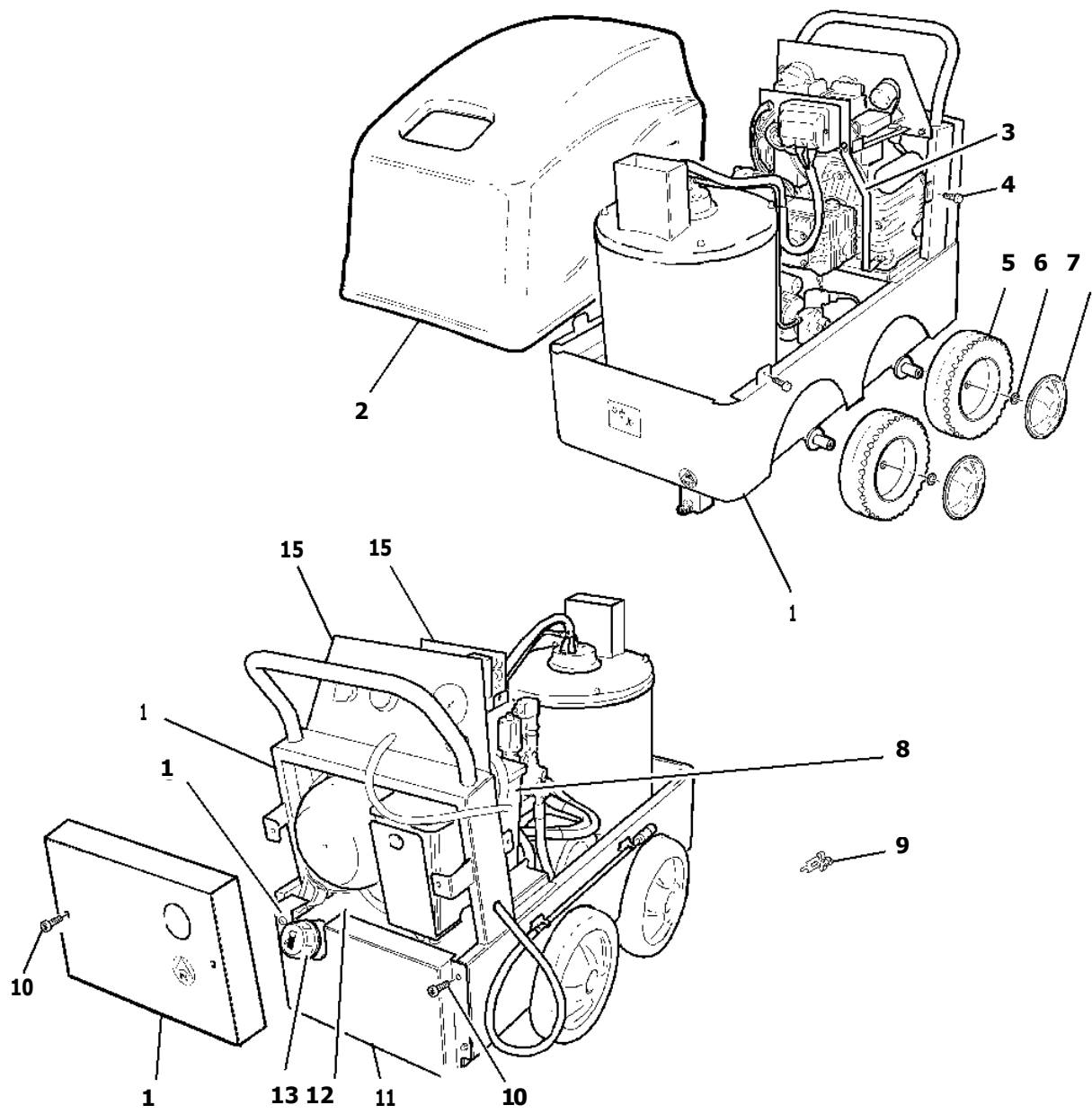
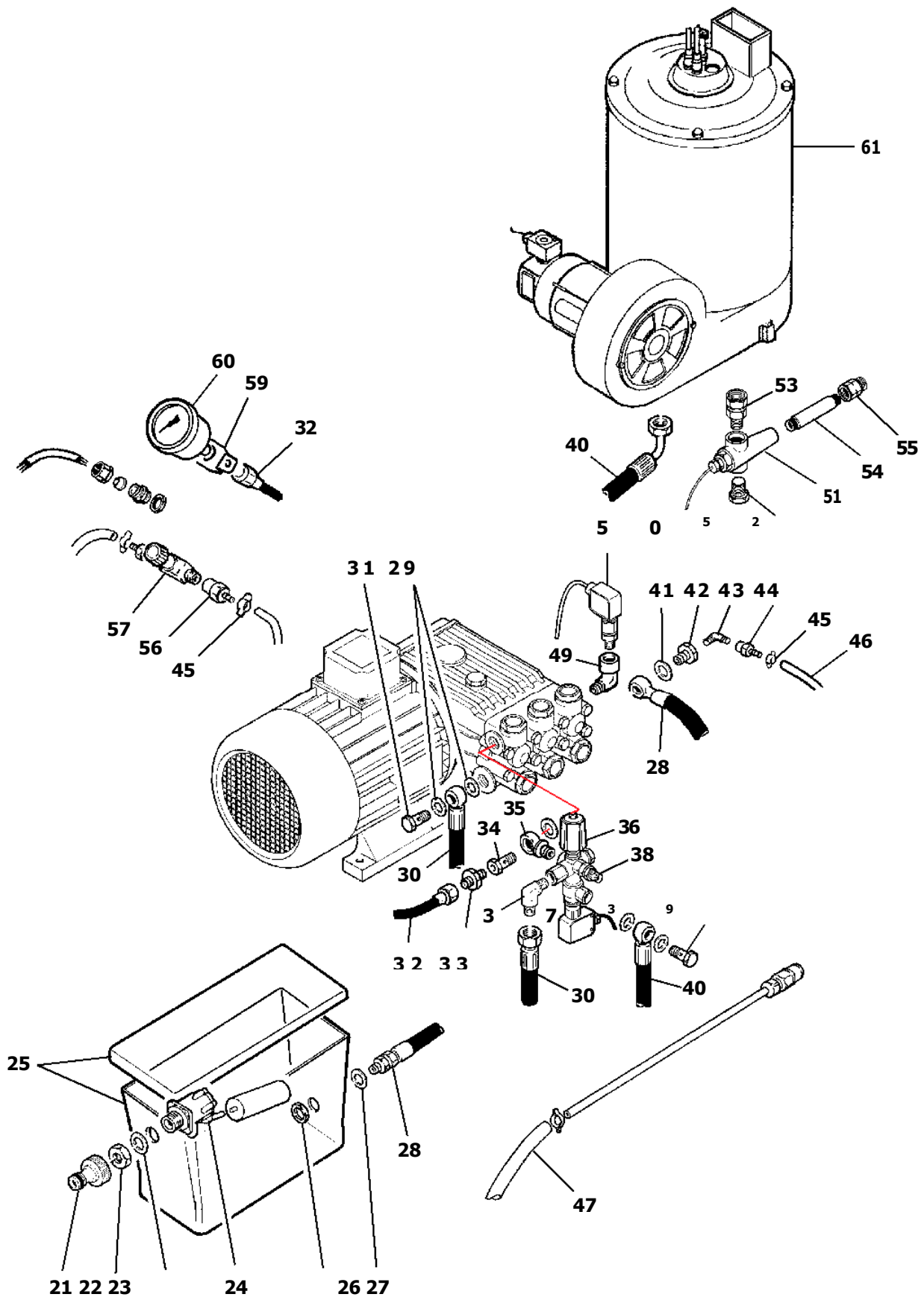




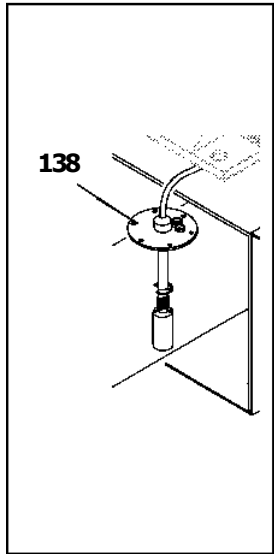
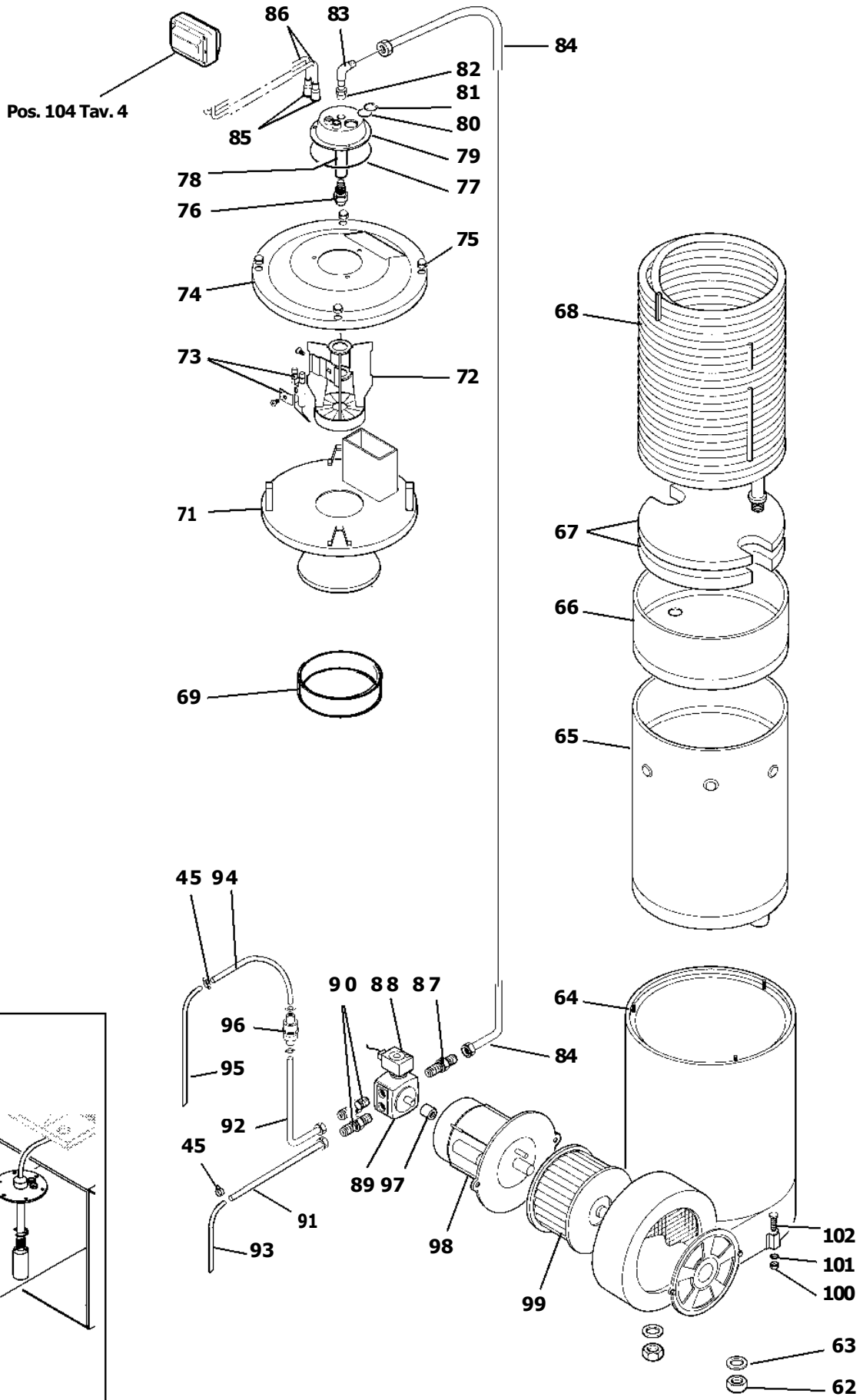
R h i n o
S P A R E P A R T S C A T A L O G U E



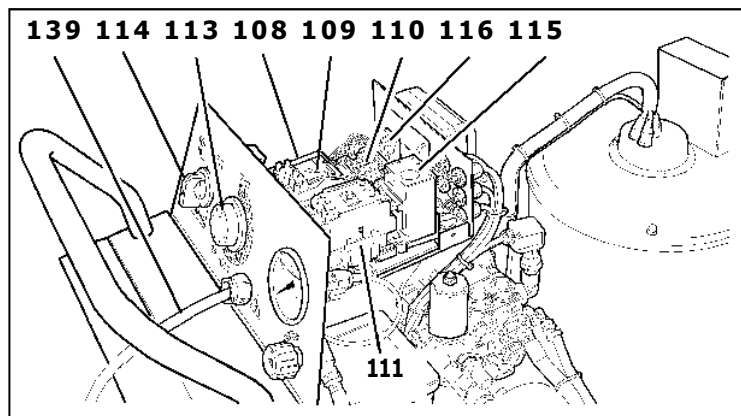
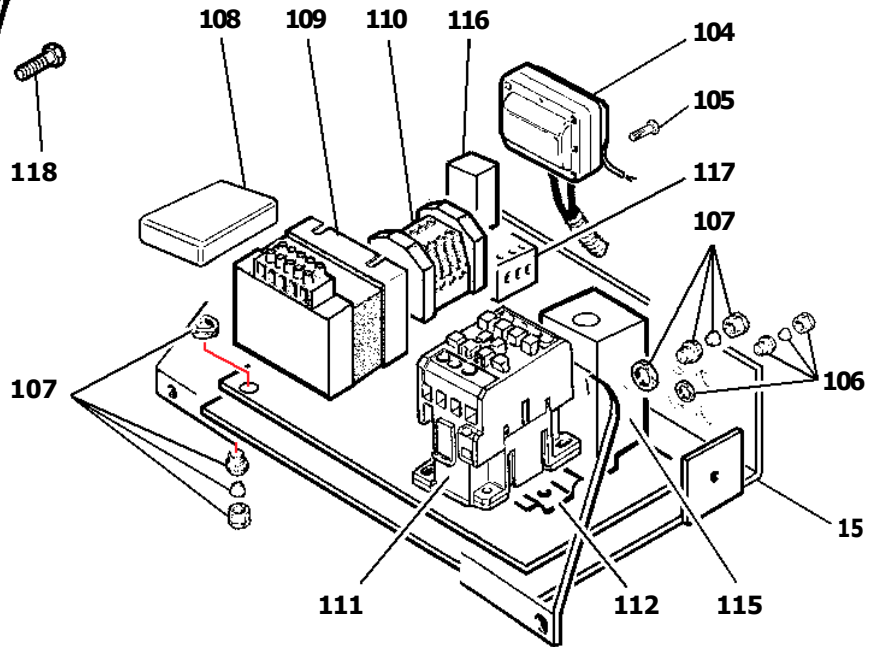
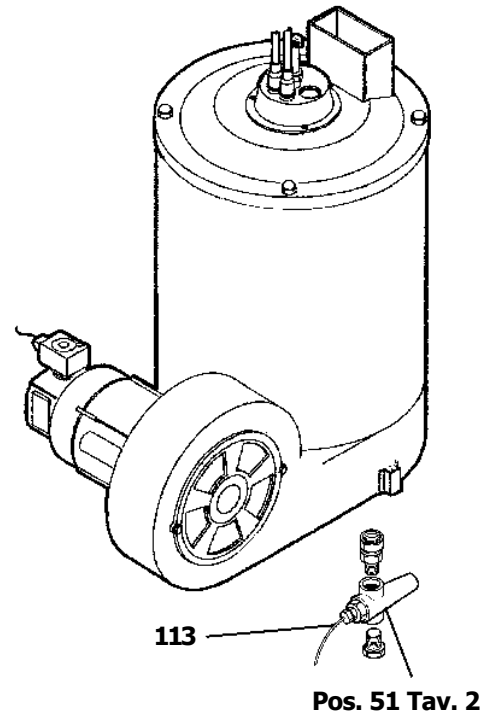
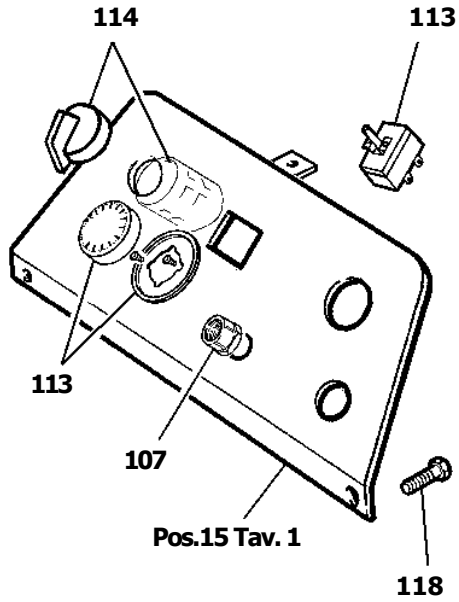
Ref.	Part Number	Description	N°
1	MAER10.000.057	FRAME	1
2	MAER10.000.187	STAINLESS STEEL COVER	1
4	MAER20.000.042	BONNET SCREWS	4
5	MAER10.000.109	WHEEL 250MM TO SUIT RHINO	4
6	MAER10.000.027	WASHER	4
7	MAER10.000.209	WHEEL CAP D. 250	4
8	MAER10.000.043	PLASTIC WATER TANK (ALL MODELS)	1
9	MAER10.000.010	STAND CHEMICAL BAR	2
10	MAER20.000.047	SCREW	4
12	MAER10.000.009	FUEL/GAS OIL TANK RHINO	1
13	MAER10.000.012	FUEL TANK CAP FOR 16 LT FUEL TANK	1
16	MAER70.000.116	FUEL INDICATOR LIGHT	1
17	MAER60.000.000	MOTOR	1
18	MAER30.000.026	PUMP W98	1
19	MAER20.000.046	SCREW	4
20	MAER20.000.027	WASHER	4



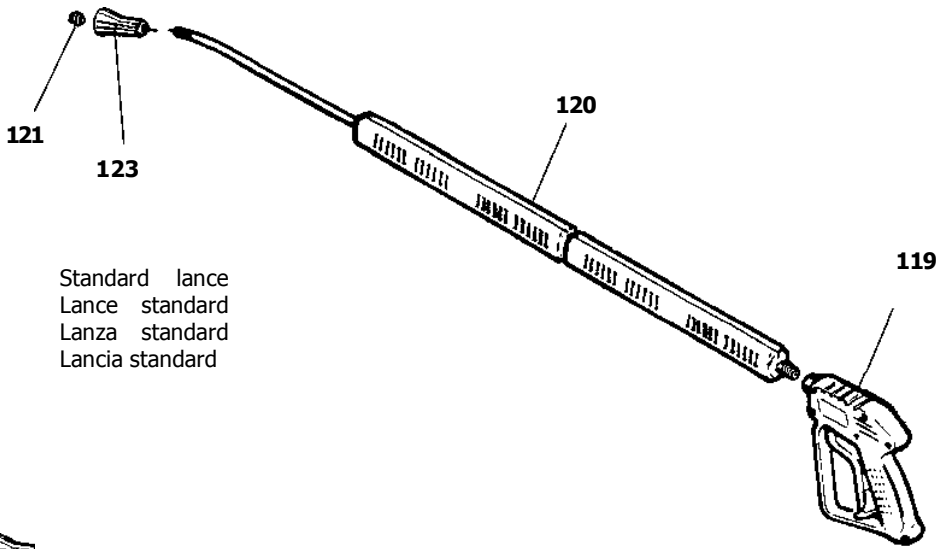
Ref.	Part Number	Description	Nº
21	MAER20.000.000	HOSE FITTING	1
24	MAER40.000.111	BRASS FLOAT VALVE 3/4 (RHINO)	1
25	MAER10.000.043	PLASTIC WATER TANK (ALL MODELS)	1
26	MAER20.000.222	REDUCER 1/2	1
26	MAER20.000.022	REDUCER 3/8	1
27	MAER20.000.006	WASHER 3/8	1
28	MAER90.000.059	BYPASS HOSE (RHINO)	1
29	MAER20.000.003	WASHER 1/2	2
30	MAER90.000.059	BYPASS HOSE (RHINO)	1
30	MAER90.000.042	BYPASS HOSE (HIPPO)	1
31	MAER20.000.005	BOLT WITH HOLE 1/2	1
32	MAER90.000.005	PRESSURE GAUGE HOSE	1
33	MAER20.000.014	NIPPLE 1/4	1
34	MAER20.000.049	BOLT WITH HOSE 3/8 - 1/4	1
35	MAER20.000.063	EYE 3/8	1
36	MAER60.2350.00	VB9 UNLOADER 3200PSI 30LPM	1
37	MAER20.000.011	3/8 ELBOW	1
38	MAER40.000.031	SAFETY VALVE	2
39	MAER20.000.007	BOLT WITH HOLE 3/8	1
40	MAER90.000.054	HOSE 5/16 400 BAR 580MM (RHINO)	1
41	MAER20.000.003	WASHER 1/2	1
42	MAER20.000.052	BOLT WITH HOLLOW AND THREAD	1
43	MAER20.000.034	1/4 ELBOW	1
44-46	MAER90.000.070	DETERGENT SUCTION HOSE	1
47	MAER90.000.068	DETERGENT SUCTION HOSE + FILTER	1
49	MAER20.000.139	3/8M – 1/4F ELBOW	1
50	MAER70.000.035	PR5 PRESSURE SWITCH (RHINO)	1
51	MAER40.000.011	THERMOSTAT SONDE HOLDER	1
52	MAER20.000.502	3/8 BRASS PLUG	1
53	MAER20.000.012	3/8 MF SWNG NIPPLE	1
54	MAER20.000.015	ZINC. HOSE 3/8 X 100 (RHINO)	1
55	MAER90.212.120	QUICK COUPLING 1/2F (RHINO)	1
55	MAER90.263.131	QUICK COUPLING M22 3/8 (HIPPO)	1
57	MAER40.000.035	DETERGENT TAP (RHINO)	1
59	MAER40.000.046	PRESSURE GAUGE SUPPORT	1
60	MAER40.000.019	PRESSURE GAUGE	1
61	MAER50.000.101	COMPLETE BOILER	1



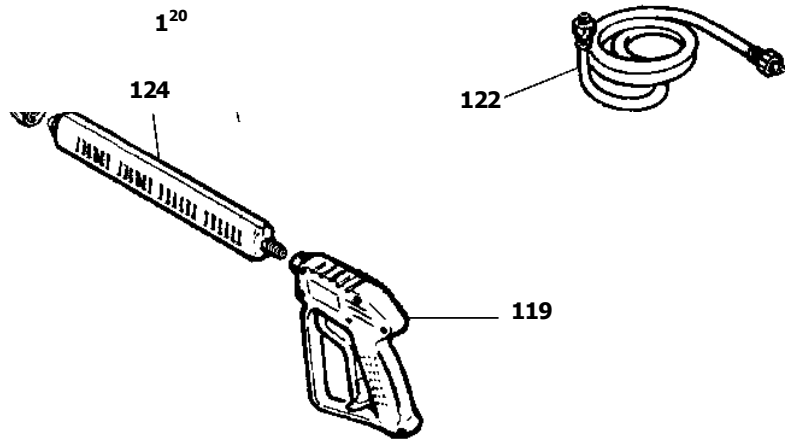
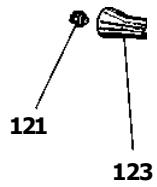
Ref.	Part Number	Description	Nº
45	MAER90.000.011	CLIP	1
62	MAER20.000.022	NUT 3/8	1
63	MAER20.000.021	WASHER	2
64	MAER50.000.034	BOILER BODY	1
65	MAER50.000.037	BOILER LINER	1
66	MAER50.000.004	BOILER BOTTOM	1
67	MAER50.000.005	REFRACTORY DISK	1
68	MAER50.000.040	COIL TO SUIT RHINO	1
69	MAER50.000.007	RING	1
71	MAER50.000.032	COMPLETE HEAD NEW (HIPPO & JUMBO)	1
72	MAER50.000.010	DEFLECTOR	1
73	MAER50.000.011	DOUBLE ELECTRODE (OLD UNITS)	1
74	MAER50.000.012	UPPER HEAD	1
75	MAER20.000.025	NUT M6	4
76	MAER50.000.013	1.5/60deg nozzle	1
77	MAER50.000.015	GASKET	1
78	MAER50.000.014	GAS OIL NOZZLE HOLDER	1
79	MAER50.000.016	COVER	1
80	MAER50.000.017	FLAME WINDOW	1
81	MAER50.000.018	SEEGER	1
82	MAER20.000.024	COUPLING	1
83	MAER20.000.019	ELBOW COUPLING	1
84	MAER90.000.080	COPPER PIPE	1
85	MAER50.000.025	HT RUBBER PROTECTION FOR ELECTRODES	1
86	MAER70.000.018	HT CABLE FOR ELECTRODES	2
87	MAER20.000.020	COUPLING	2
88	MAER50.000.024	SOLENOIDE VALVE 24V (ALL MODELS)	1
89	MAER50.000.029	FUEL PUMP JUMBO ETC	1
90	MAER90.000.014	NIPPLE 1/4	2
94-95	MAER90.000.076	GAS OIL COMPLETE SUCTION PIPE	1
91-93	MAER90.000.077	GAS OIL COMPLETE DRAIN PIPE	1
96	MAER50.000.019	FUEL FILTER (ALL MODELS)	1
97	MAER50.000.022	FUEL PUMP JOINT (ALL MODELS)	1
98	MAER50.000.221	BURNER MOTOR	1
99	MAER50.000.035	FAN BURNER MOTOR (RHINO)	1
100	MAER20.000.097	NUT M10	3
101	MAER20.000.044	WASHER	3
102	MAER20.000.099	SCREW	3
138	MAER70.000.022	Float Level	1



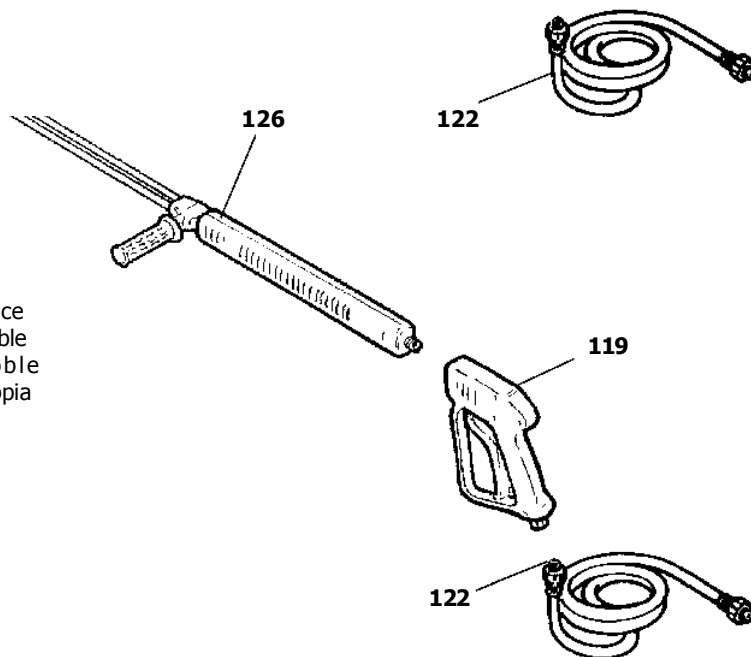
Ref.	Part Number	Description	N°
104	MAER70.000.019	HT TRANSFORMER (OLD) (RHINO)	1
105	MAER20.000.148	SCREW	1
106	MAER70.000.003	PG 7 CABLE GLAND	5
107	MAER70.000.001	PG 16 CABLE GLAND	1
108	MAER70.000.011	ELECTRONIC BOARD (ALL MODELS)	1
109	MAER70.000.010	TRANSFORMER 24V (ALL)	1
110	MAER70.000.024	TERMINAL BOX (HIPPO & RHINO)	1
111	MAER70.000.009	CONTACTOR 2.2kw (RHINO)	1
112	MAER70.000.007	U BAR	1
113	MAER70.000.014	THERMOSATAT (HIPPO & RHINO)	1
114	MAER70.000.044	ON / OFF SWITCH	1
115	MAER70.000.042	THERMIC SWITCH 12-17A	1
115	MAER70.000.043	THERMIC SWITCH 6,3-12A	1
116	MAER70.000.054	24V RELAY (RHINO)	1
117	MAER70.000.055	BASE FOR RELAY	1
118	MAER20.000.047	SCREW	2
139	MAER70.000.020	CABLE 3X2,5 (5m)	1
139	MAER70.000.021	CABLE 4X2,5 (5m)	1



Standard lance
 Lance standard
 Lanza standard
 Lancia standard



Two separated parts lance
 Lance en deux parties
 Lanza en dos piezas
 Lancia in due pezzi



Double lance
 Lance double
 Lanza doble
 Lancia doppia

Ref.	Part Number	Description	N°
119	E30.2030.00	VEGA SPRAY GUN WITH SWIVEL	1
120	E40.1255.00	S3 LANCE 1200MM INSULATED	1
120	E40.0755.00	S3 LANCE 700MM INSULATED	1
120	E40.0955.00	S3 LANCE 900MM INSULATED	1
120	E40.0535.00	S3 LANCE 500MM INSULATED	1
120	E40.1755.00	S3 LANCE 1700MM INSULATED	1
120	E41.0921.00	700MM DOUBLE LANCE SS TUBE	1
121	NOZ WJ1/4 15 045	NOZZLE WASHJET SS 1/4 15/045	1
122	H HD88MF10	HOSE ASSY R2 3/8 10M	1
123	E40.0008.84	NOZZLE PROTECTOR SINGLE LANCE	1
126	E41.0919.00	500MM DOUBLE LANCE	1