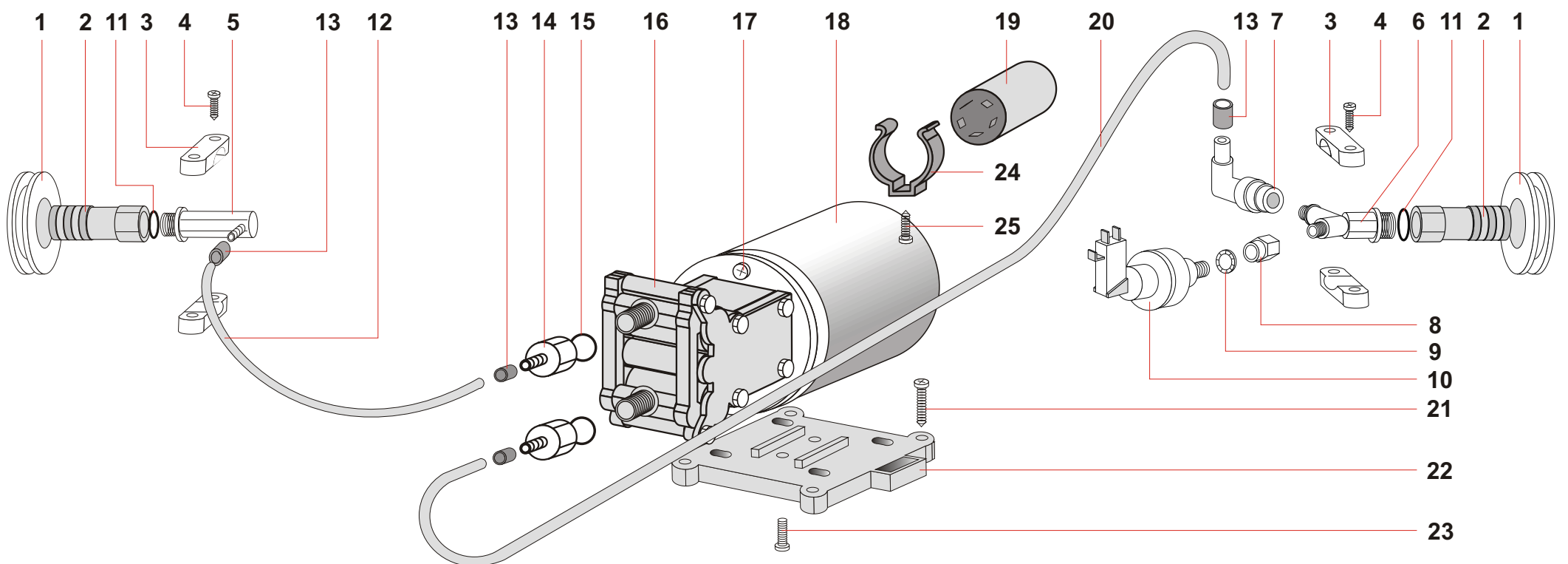
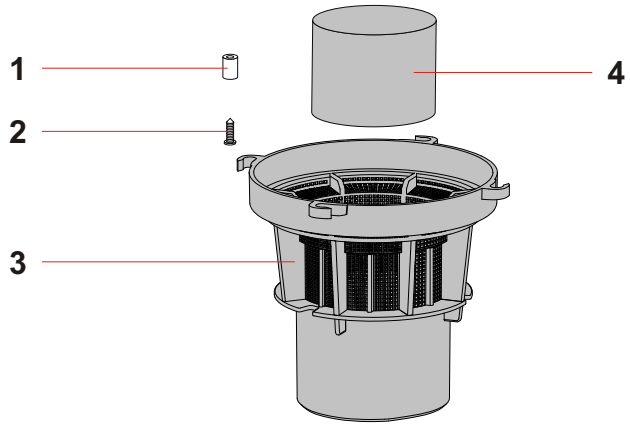


HEAD DROP 250 V.			REF. 3710 KAU
POS	REF	DESCRIPTION	N°
1	489 AUS	ELECTRIC CORD 3X1,5 (AUS)	1
2	138	FAIRLEAD	1
3	139	CABLE CLAMP	1
4	1006	SCREW PFU TMT PHL 5X20 BLACK	2
5	3032NE	HOOK F/CABLE MEC 600 BLACK	1
6	2627	SCREW PAT TMT PHL 5X40 BLACK	4
7	3034G6	HANDLE MEC 600 GREY6000	1
8	1050	SCREW PAT TMT PHL 5X35 BLACK	2
9	1006	SCREW PFU TMT PHL 5X20 BLACK	4
10	1005	SCREW PAT TMT PHL 5X14 ZN BLACK	2
11	7008	ELECTRIC KIT EXTR.600 RAD "S" PUMP	1
12	1054	SCREW PAT TMT PHL 5X50	2
13	3107 BPAZ	COVERING ATLAS BYPASS LIGHT-BLUE	1
14	1006	SCREW PFU TMT PHL 5X20 BLACK	2
15	484	ANTISPLASH RED LIGHT SWITCHER	2
16	756	ANTISPLASH GREEN LIGHT SWITCH	1
17	3937	FILTER MTP/65 H=15 D.95	2
18	3273	SCREW PAT TMT PHL 5X55 BLACK	9
19	1502	GUIDING SLIT FOR QUICK COUPLING	1
20	3383	COVERING CAP	1
21	3708G6	COVERING STORM GREY 6000	1
22	2627	SCREW PAT TMT PHL 5X40 BLACK	9
23	2627	SCREW PAT TMT PHL 5X40 BLACK	3
24	2937AZ	MOTOR-FASTENER NEV.600 LIGHT-BLUE	1
25	3189	SCREW M5X30 UNI7687	1
28	3969	WASHER H8 D85X65	2
29	1006	SCREW PFU TMT PHL 5X20 BLACK	8
30	310	PLASTIC RING FOR MOTOR H=15	2
31	3901	"L" GASKET W/O HOLES H=5,5	2
32	3973	MOT.BD302 1000W 240-250 50/60	2
33	3901	"L" GASKET W/O HOLES H=5,5	2
35	3901	"L" GASKET W/O HOLES H=5,5	1
36	3451	FEIGNED MOTOR	1
37	3454	ANTINOISE TRIANGLE H=51	3
38	3456	GASKET MTP/30 AU-AD 50X10X85	3
39	468	AUTOMATIC VALVE	2
40	3519	BASE CAP	1
41	3108 PG6	C.BASE 600/4 00 W/GASK.W/S.T.PL. GR6	1
42	2184	ADD.SOCKET PROTECTION	1
43	98	SCREWED ADDITIONAL SOCKET	1
44	1044	SCREW TSP M3X25 UNI6109	2
45	1046	NUT M3 UNI 5588	2
*	7632/PIL	ELECTRIC KIT 50CM POKE-IN MOTOR	2



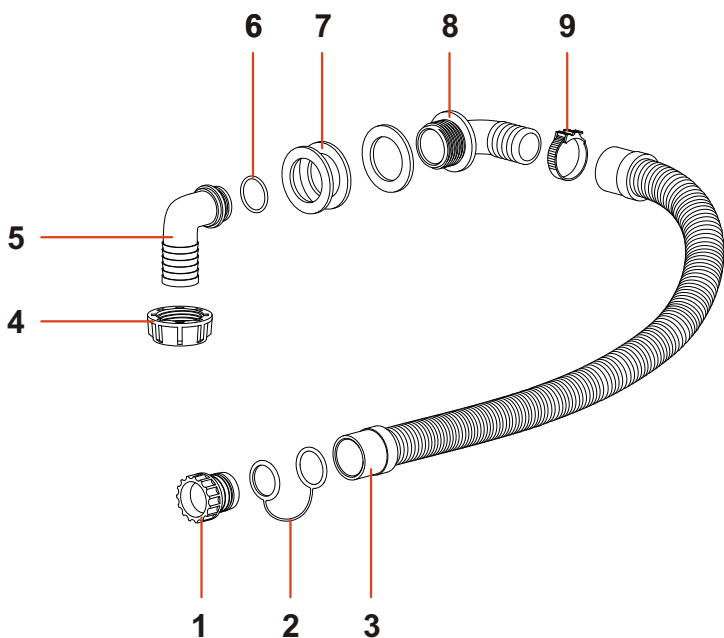
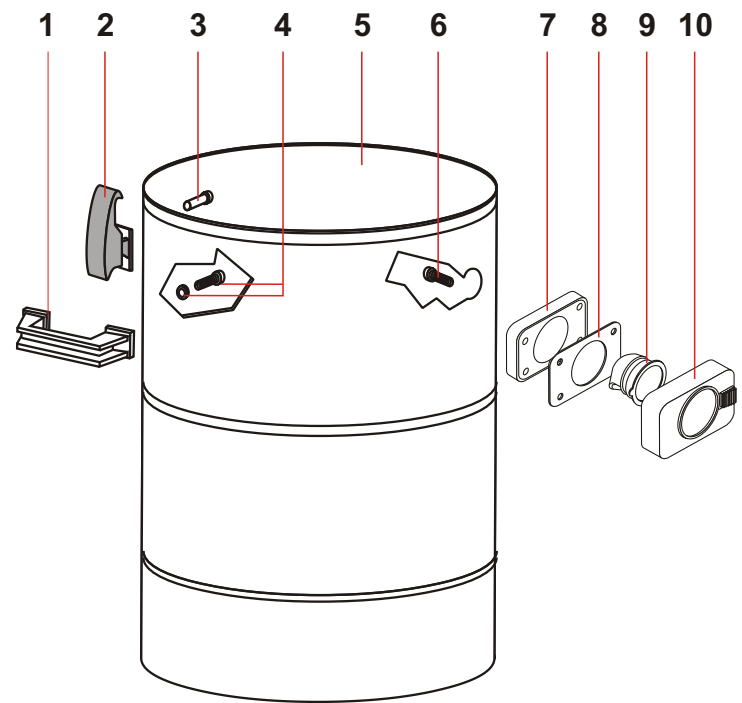
STORM PUMP GROUP RAD			REF. 6270
POS	REF.	DESCRIPTION	N°
1	6082	GUIDING SLIT LAVA	2
2	3689/OTT	QUICK SOCKET 1/4"F	2
3	2604	FIXING BOLT CONN.	4
4	1979	SCREW PFU TMT PHL 5X25 ZN BLACK	4
5	6395	PLAST."L" COUPLING	1
6	3096	PLAST."Y" COUPLING 2 WAYS	1
7	3747	ELBOW PLAST. COUPLING 1/8"F-PG5,2	1
8	689	NIPPLE 1/4" F. 1/8" F.	1
9	3722	NOTCHED WASHER M10 UNI 6798	1
10	3919 SG	PRESSURE SWITCH GP110 8BAR (GREEN)	1
11	1610	O RING 9	2
12	723	HYDROLITIC TUBE 8X5 PER METER BLACK	1

13	3171	PLAST.CLIP D.8	4
14	3921	RIGHT PLAST. COUPLING 3/8"F-PG 5,2	2
15	1711	O RING 22,2X16,2X3	2
16	695SG	SG PUMPWOUT PRESS	1
17	1008	SCREW TMT M 5X9,5 PH	4
18	3988/C	MOT.90 W.240 V.1000 RPMALMES	1
19	3940	REC TIFIER W/FIL TER	1
20	723	HYDROLITIC TUBE 8X5 PER METER BLACK	1
21	1050	SCREW PAT TMT PHL 5X35 BLACK	4
22	1794	MOTOR SUPORT	1
23	1008	SCREW TMT M 5X9,5 PH	2
24	2788	LIRACLAMP D.34	1
25	1005	SCREW PAT TMT PHL 5X14 ZN BLACK	1

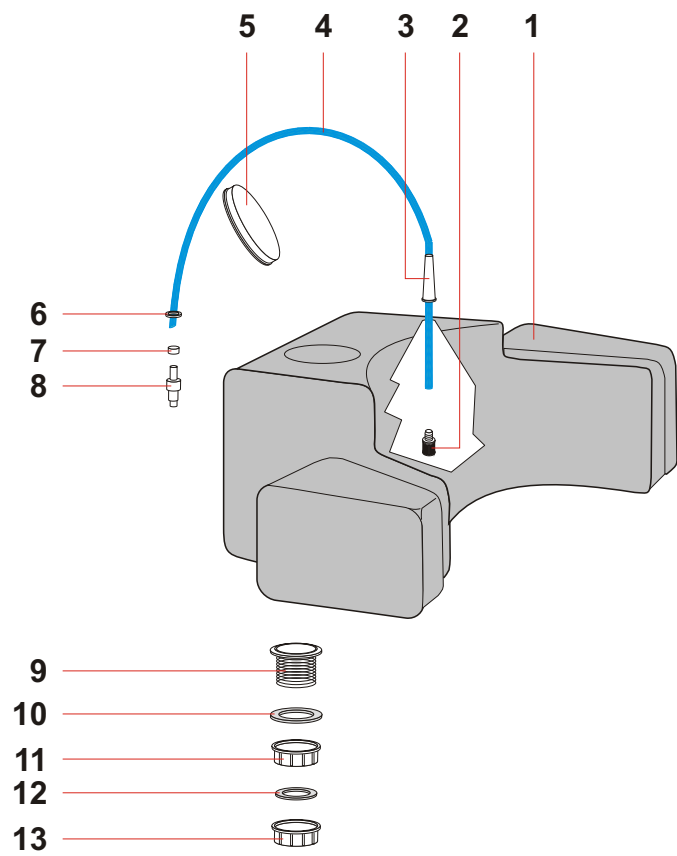


KIT ANTIFOAM 400/600			REF. 3668
POS	REF.	DESCRIPTION	N°
1	3706	PLASTIC SLEEVE D.8	4
2	3724	SCREW PAT TMT PHL 5X25	4
3	21243NE	NET ANTIFOAM BODY HIGH	1
4	2676-1 G	HIGH FLOAT 99 WGASKET 37 SHA	1

TANK DROP AISI 304M/INOX COMP			REF. 948 DROP/K
POS.	REF.	DESCRIPTION	N°
1	2993-1G6	GREY6000 HANDLE	2
2	1847/SG6	COMPLETE PLASTIC HOOK GREY6000	2
3	1301	RIVET 5X11	4
4	3968 INOX	COMPLETE SEAL W/SCREW L=25 INOX	4
5	946	TANK GARAGE/CALIFORNIA AISI 304	1
6	6258	SCREW AUT.TC PHL 4,8X32 INOX	4
7	2586G6	GASKETR 205 GREY6000	1
8	2846	GASKETD.38	1
9	2593	DEFLECTOR 99	1
10	2652 AG6	COMPLETE INLET R155 GREY6000	1



DRAIN DEVICE D.34 COMP.MARK			REF. 2994/MARK
POS	REF.	DESCRIPTION	N°
1	2764/C	PLAST.CAP D.40 X35 W/OR COMPL.	1
2	2812	TIE ROD CAP	1
3	2765	DRAIN PIPED.34 L=600	1
4	2889	PULLEY 1-1/4"	1
5	2888	RUBBER HOLDER UNION	1
6	7798	OR 28 X2,5 NBR	1
7	256	GASKET 60X40X4	3
8	2890	RUBBER HOLDER PLAST.COUPLING. 90° 1-1/4	1
9	3592	CLAMP 300X9	1



CLEAR WATER TANK COMPL. GARAGE			REF. 1442
POS	REF.	DESCRIPTION	N°
1	1439	CLEAR WATER TANK	1
2	2689	COMPL.DIP FILTER	1
3	138/L	FAIR LEAD	1
4	1526	HYDROLITIC TUBE 8 X5 L=1100	1
5	257	TANK CAP	1
6	954	STEEL WASHER D.8	1
7	2660	STRICK CLIP 7-9	1
8	3664/OTT	BRASS QUICK COUPLING P.G5,2	1
9	835	FILLING PIPE 1-1/4"	1
10	256	GASKET 60X40X4	1
11	834	RING 1-1/4"	1
12	255	CAP GASKET	1
13	833	CAP 1-1/4"	1
*	3036	DIP LOCKING FILTER	1

BASE MARKET TROLLEY FOR DRAIN			REF. 900 BASE/SCA
POS	REF.	DESCRIPTION	N°
1	918-1 V	MARKET HANDLE 400 BLACK VARN.	1
2	917 V	VARNISHED SUPPORT TUBE	2
3	913	"T" TUBE	2
4	1302NE	RIVET 5X15 BLACK	2
5	914	HAND-WHEEL M8X60	1
6	1403	LOCKING THREADED PLATE	1
7	1302NE	RIVET 5X15 BLACK	2
8	21567NE	TROLLEY BODY 400 MARKET BLACK	1
9	1005	SCREW PAT TMT PHL 5X14 ZN BLACK	1
10	2788	LIRACLAMP D.34	1
11	30039	WHEEL PIVOT D.18X105	2
12	3189	SCREW M5X30 UNI7687	8
13	904	REAR WHEEL D.200	2
14	3835NE	WHEEL CAP D.200/250 BLACK	2
15	2967	LOCK PIVOT BRACKET	2
16	2557	BLOC D.18	2
17	1302NE	RIVET 5X15 BLACK	2
18	20418	FRONT WHEEL D.80 W/PNOT	2
19	6250	PLAST.TROLLEY HANDLE	2

