

Gerni

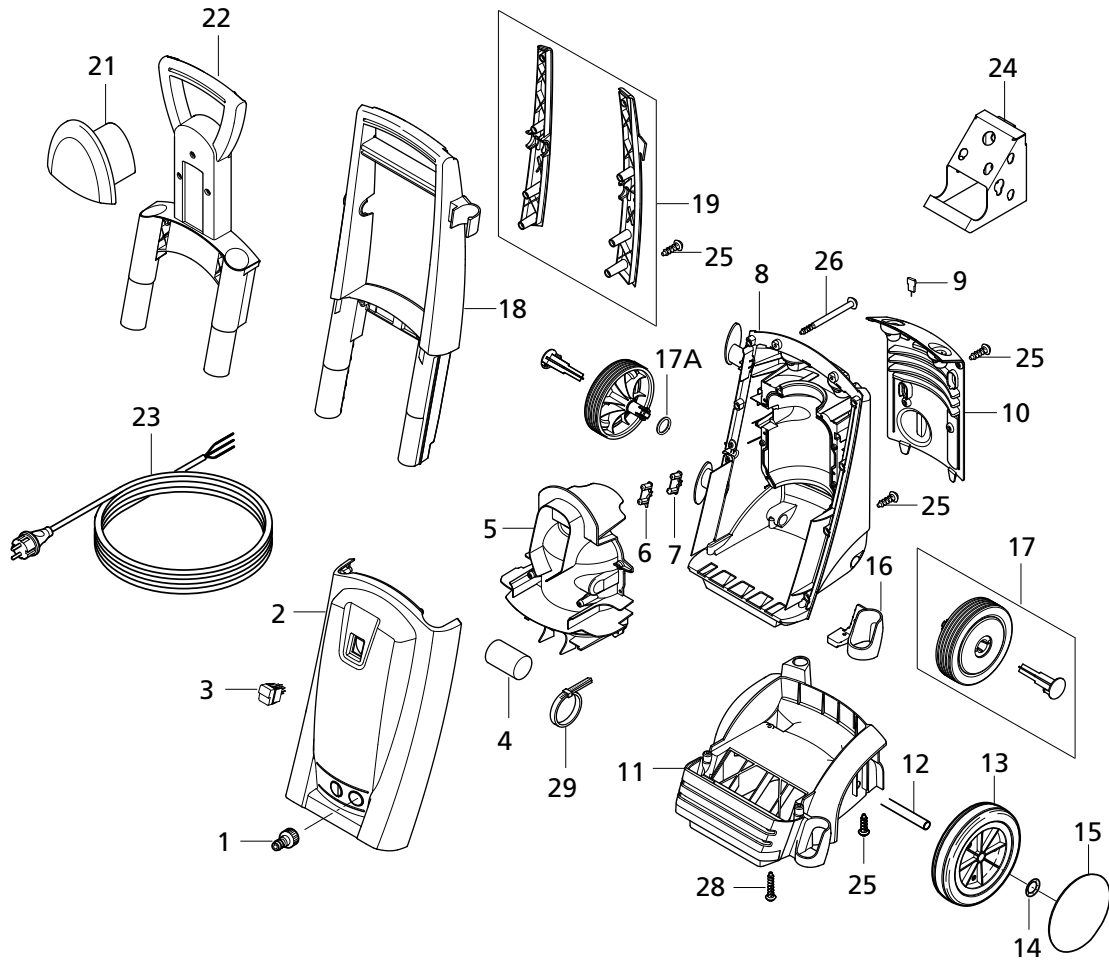
- danish cleaning power

Super 130.1
Super 140.1
Super 140.1 Plus



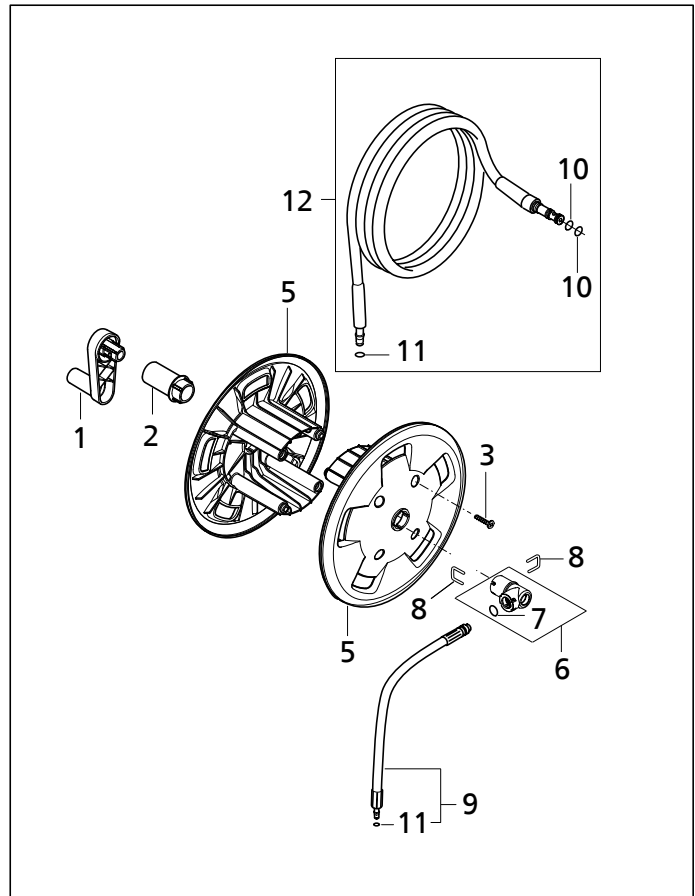
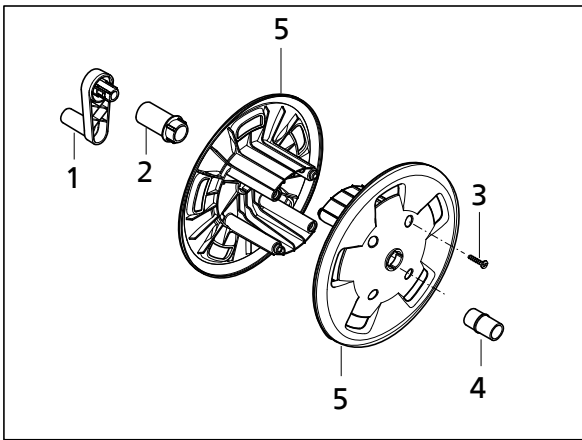
EN Spare parts

Chassis



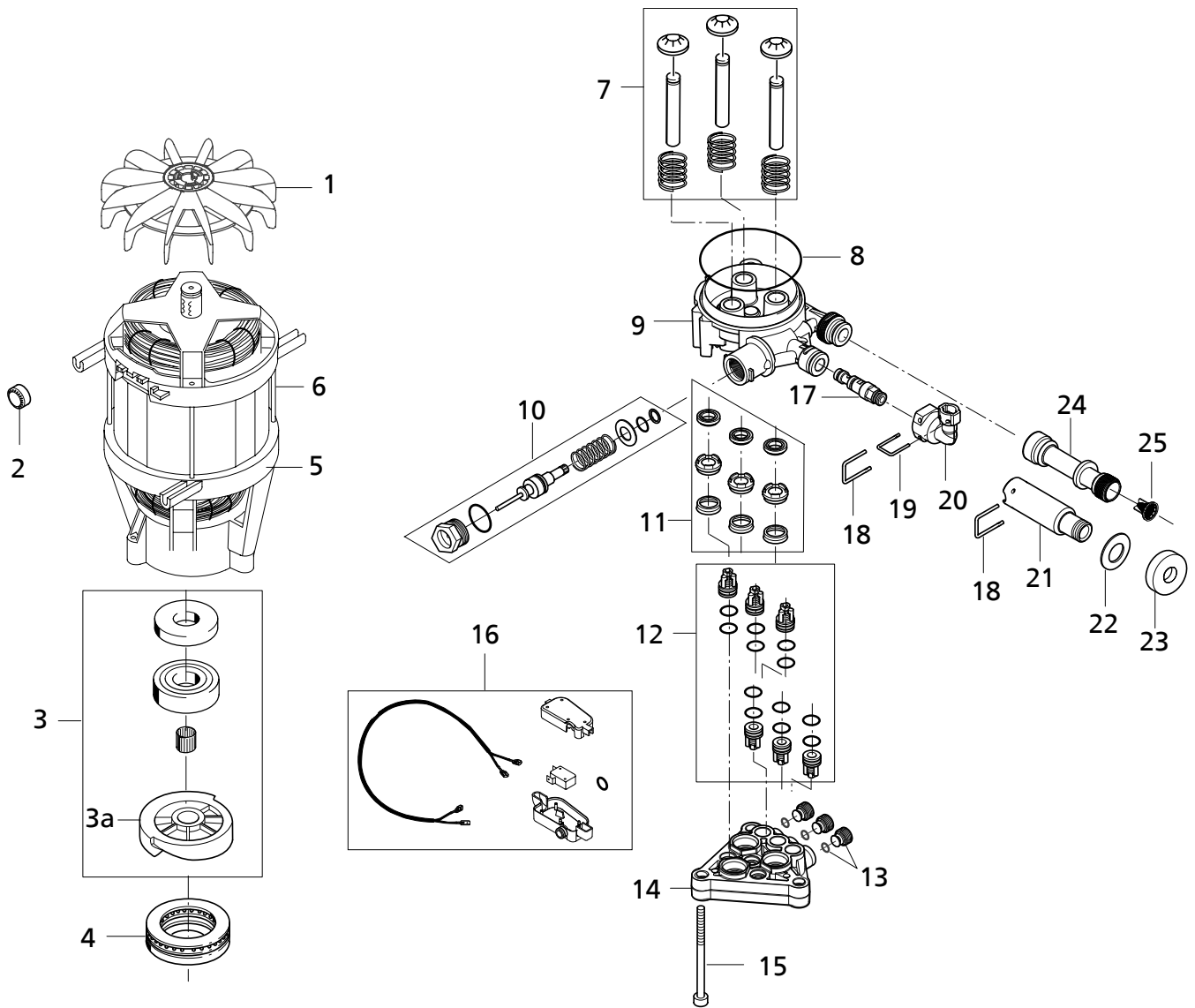
Pos.	No.	Description	Comment	Super 130.1	Super 140.1
1	1402809	Quick coupling male		1	1
2	126526277	Cabinet front		1	1
3	61887	Contact for start/stop		1	1
4	3821794	Capasitor 25µf		1	1
5	126486704	Motor shield		1	1
6	126486726	Gland 6-2		1	1
7	126486727	Gland 9-2		1	1
8	126486707	Chassis		1	1
9	6520844	Cleaning needle		1	1
10	126486712	Chassis, rear cover		1	1
11	126486708	Chassis, bottom part		1	1
12	126486725	Axle		1	1
12A	6486774	Washer (x2)		1	1
13	6526560	Wheel		2	2
14	1814657	Lockwasher		2	2
15	126526278	Wheel cap		2	2
16	126486723	Lower lance holder		1	1
17	126526279	Wheel, compl.		2	2
18	126486717	Handle			1
19	126486716	Cover f. handle, left & right			1
21	126486715	Hose hook front		1	
22	126486713	Handle		1	
23	126481779	Cable with plug AUS/NZ	AUS/NZ	1	1
24	106411386	Wall rack			1
25	1814601	Screw K50x18		14	14
26	1814733	Screw K50x50		2	2
28	1814722	Screw K50x35		2	2
29	1800416	Cable strap		1	1

Hose reel

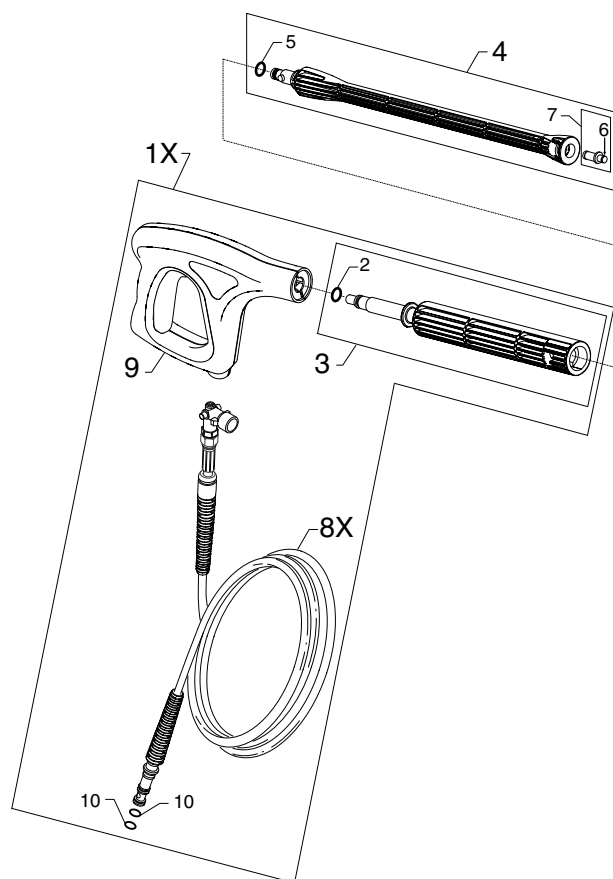
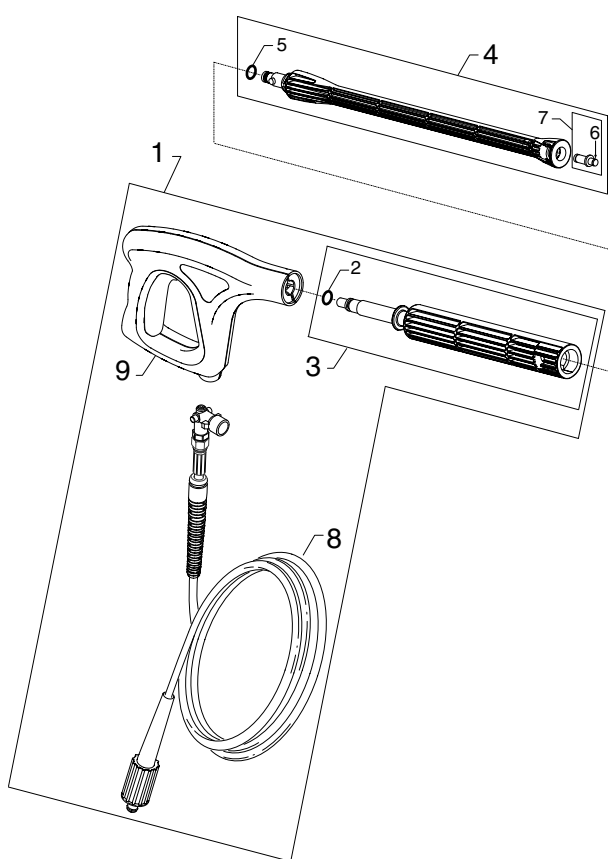


Pos.	No.	Description	Comment	Super 140.1
1	6528569	Hose reel handle		1
2	6528571	Adaptor		1
3	1814601	Screw K50x18 WN1451		4
4	126486736	Adaptor		1
5	126486719	Hose reel		1
6	6127006	Connector complet		1
7	3002144	O-ring 14,3x2,4 Nit.70SH		1
8	6526487	Lock bracket		2
9	126486735	Connection hose		1
10	3004321	O-ring PUR 10x2		2
11	3004304	O-ring 5,1x1,6 Vit. 90SH		1
12	126486749	Hose compl. steelarm		1

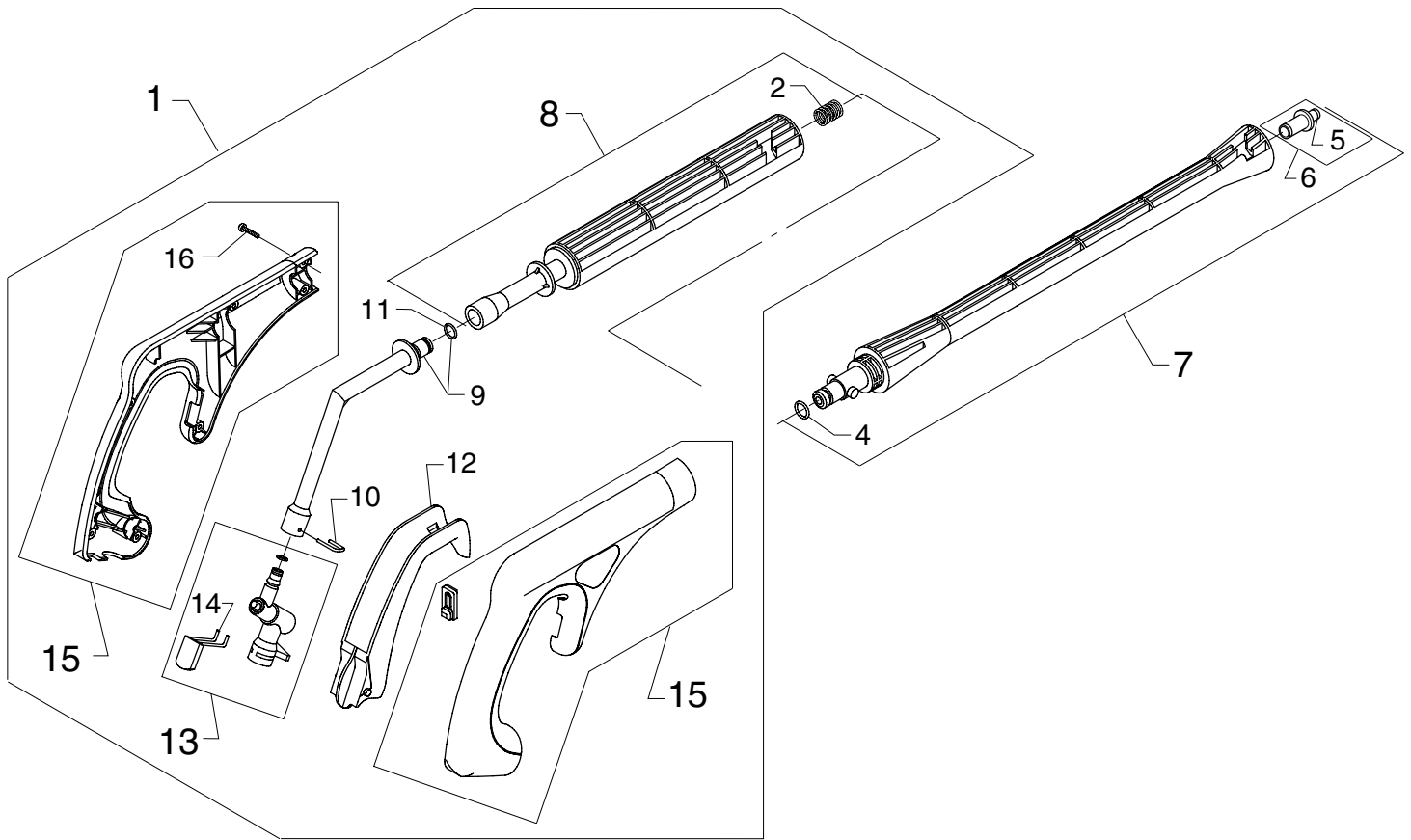
Motor pump unit



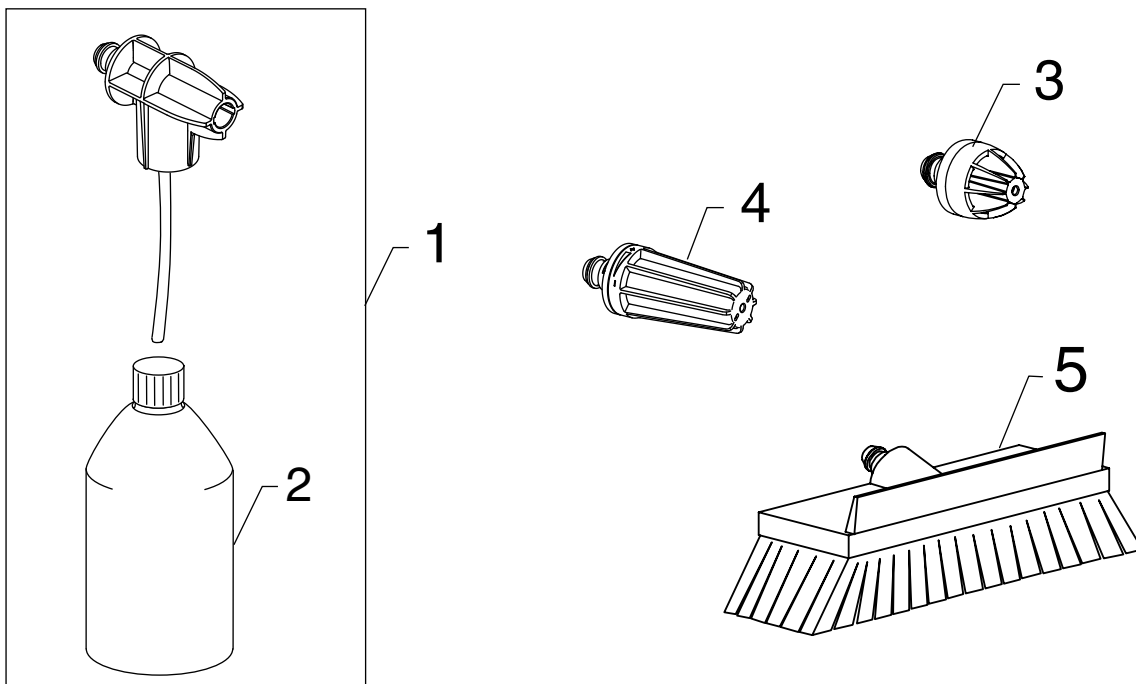
Pos.	No.	Description	Comment	Super 130.1	Super 140.1
1	6524042	Fan		1	1
2	6524050	Rubber support		3	3
3	6526051	Rep. kit wobble disc		1	1
3a	6125126	Wobble disc		1	1
4	6122653	Rep.kit bearing		1	1
5	6524014	Motor 230-240V 50Hz		1	1
6	106526209	Stud		3	3
7	126486796	Rep.kit piston		1	1
8	3003654	O-ring		1	1
9	6525598	Cylinder block		1	1
10	6526254	Automatic s/s valve		1	1
11	6526018	Rep.kit sealing system		1	1
12	6526026	Rep.kit valve system		1	1
13	6526252	Plug with O-ring		1	1
14	6525592	Cylinder head		1	1
15	1814597	Bolt M8x70		3	3
16	126486793	Micro switch box compl.		1	1
17	6526253	Injector, compl.		1	1
18	6528458	Lock bracket water outlet		1	1
19	6525619	Lock bracket water outlet			1
20	126486791	Water outlet			1
21	126486794	Water outlet		1	
22	1803196	Washer M20		1	1
23	126486792	Foam seal inlet & outlet		2	2
24	126486705	Water inlet pipe		1	1
25	6525579	Water inlet filter		1	1



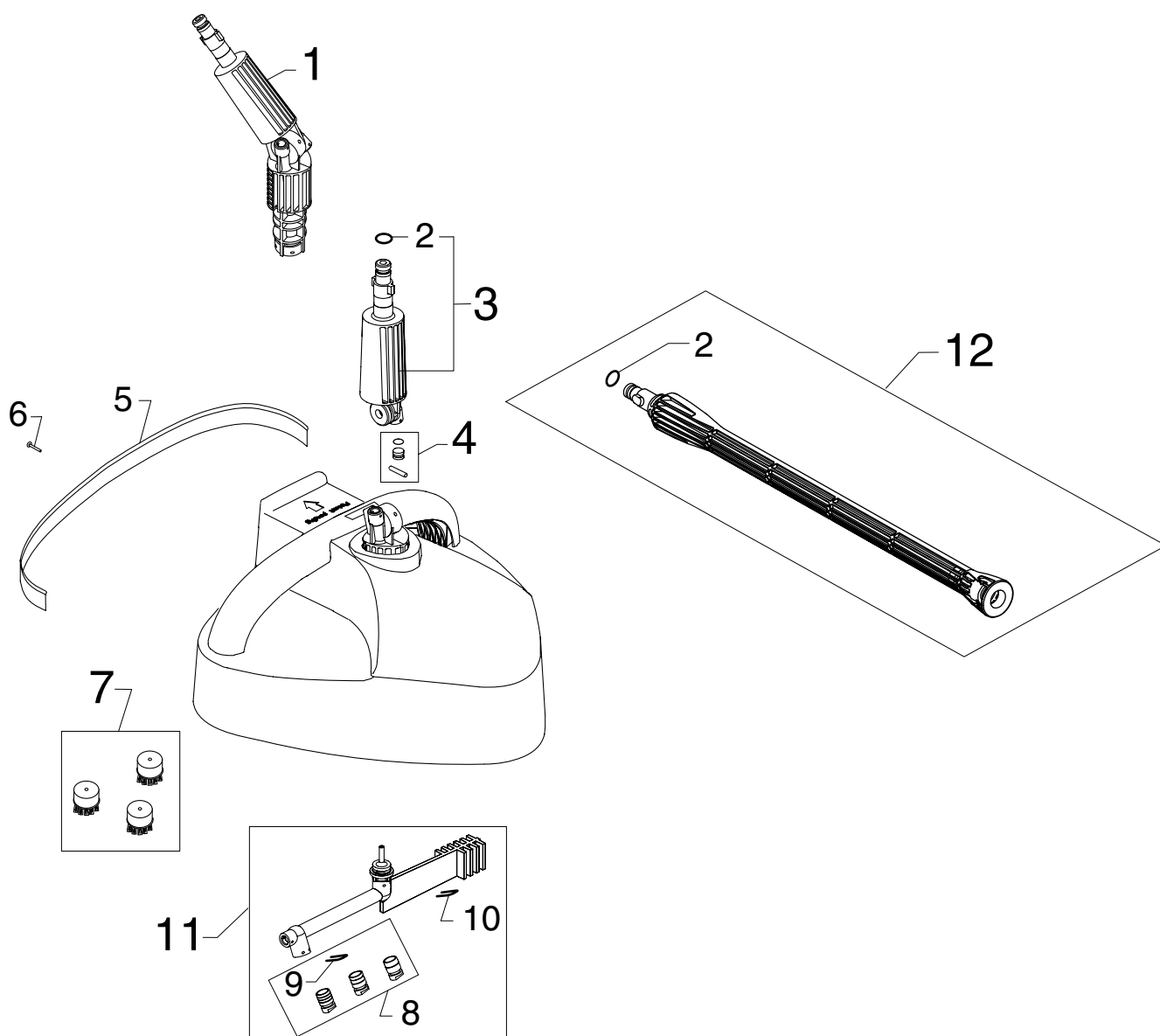
Pos.	No.	Description	Comment	Super 130.1	Super 140.1
1	126486740	Spray handle w. hose 6m		1	
1	126486742	Spray handle w. hose 9m		1	
1	126486744	Spray handle w. hose 12m		1	
1x	126486746	Spray handle w. hose 9m			1
2	3001211	O-Ring		1	1
3	106411743	Intermediate tube		1	1
4	6411715	Nozzle tube w. O-Ring		1	1
5	3004279	O-Ring		1	1
6	3004312	O-Ring		1	1
7	6483401	Low pressure nozzle		1	1
8x	126486749	Hose, compl. 9m			1
8	126486748	Hose, compl. 12m		1	
9	126486750	Spray handle		1	1
10	3004321	O-Ring			1



Pos.	No.	Description	Comment	140.1 Plus
1	6526203	Spray handle, compl.		1
2	2602500	Spring		1
4	3004279	O-Ring		1
5	3004312	O-Ring		1
6	6483401	Low pressure nozzle		1
7	6411715	Nozzle tube w. O-Ring		1
8	6526053	Intermediate tube		1
9	6526028	Pressure tube w. O-Ring		1
10	6525232	Lock bracket		1
11	3004272	O-ring		1
12	6525313	Trigger		1
13	6526172	Valve housing, compl.		1
14	6526170	Spring button		1
15	6526167	Kit, handle		1
16	101814698	Screw		8



Pos.	No.	Description	Comment	Super 130.1	Super 140.1	140.1 Plus
1	6411132	Foam sprayer		1	1	1
2	6411191	Mixer bottle		1	1	1
3	6411136	Auto nozzle				1
4	6411761	TORNADO PR "1"		1		
4	6411762	TORNADO PR "2"			1	1
5	6411131	Auto brush				1



Pos.	No.	Description	Comment	Super 140.1
-	126412500	Patio Cleaner		1
1	106411162	Knuckle joint, compl.		1
2	3004279	O-Ring		1
3	6411161	Swivel joint, compl.		1
4	6411732	Kit, plug + pin		1
5	6411579	Rubber seal		1
6	1814665	Tubular rivet		1
7	6411733	Brush (3 pcs.)		1
8	6411214	Kit, nozzles		1
9	6411550	Lock bracket Ø2x18,8		1
10	6411552	Lock bracket Ø2,5x32,5		1
11	106411744	Rotor arm, compl.		1
12	6410595	Spray lance w. O-Ring		1