

GERNI NEPTUNE 2-16, 2-26

Model:
GERNI NEPTUNE 2-16
GERNI NEPTUNE 2-26



Part List US-English

02-03-2015

Gerni

www.gerni.com.au

Table of Contents

GERNI NEPTUNE 2-16, 2-26

Cabinet	3
Frame	5
Fuel tank and detergent tank	7
Water break tank	9
Motor	11
Pump 1 (1ph)	13
EI-box	15
Fan	18
Distributor, Flow switch	20
Heat exchanger	22
Heat exchanger assy., ignition transformer	24
Default accessories	26
Hose reel	28
Anti scale	30

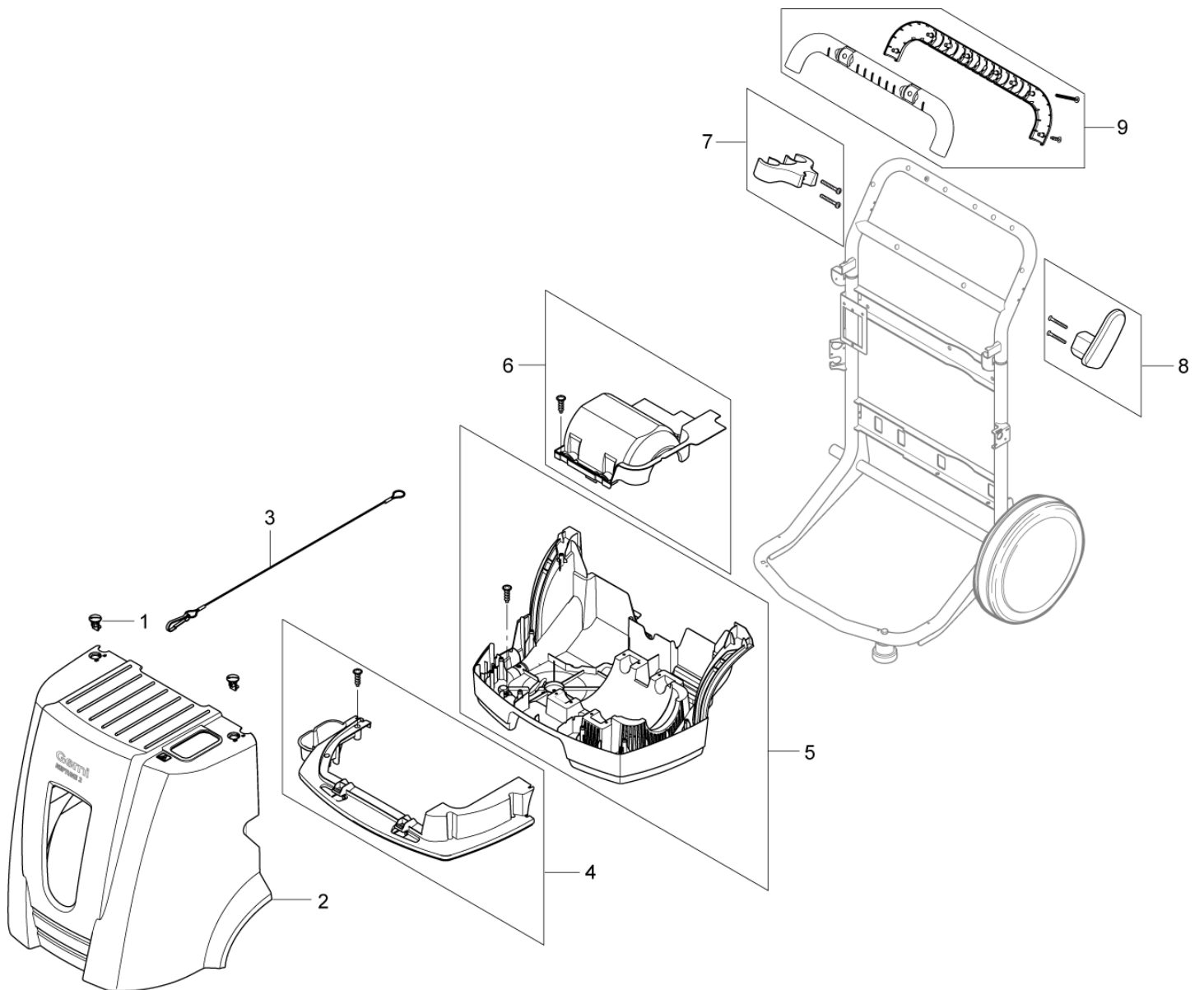
Cabinet

GERNI NEPTUNE 2-16, 2-26

02-03-2015

Part List ID
GNEPTUNE204

3



Cabinet

GERNI NEPTUNE 2-16, 2-26

02-03-2015

Part List ID
GNEP1UNE204

4

Pos	Part no.	Qty	Description
1	301001261	2	LOCKING BOLT D29X35
2	101117714	1	GERNI NEPTUNE 2 COVER
3	101117711	1	WIRE FOR COVER
4	101118000	1	FRONT BUFFER TOP KIT
5	101117999	1	FRONT BUFFER BOTTOM KIT
6	101117668	1	MOTOR COVER
7	101117666	1	TOP LANCE HOLDER KIT
8	101117682	1	HOOK FOR HOSE COMP
9	101117665	1	HANDLE KIT - NEPTUNE 2

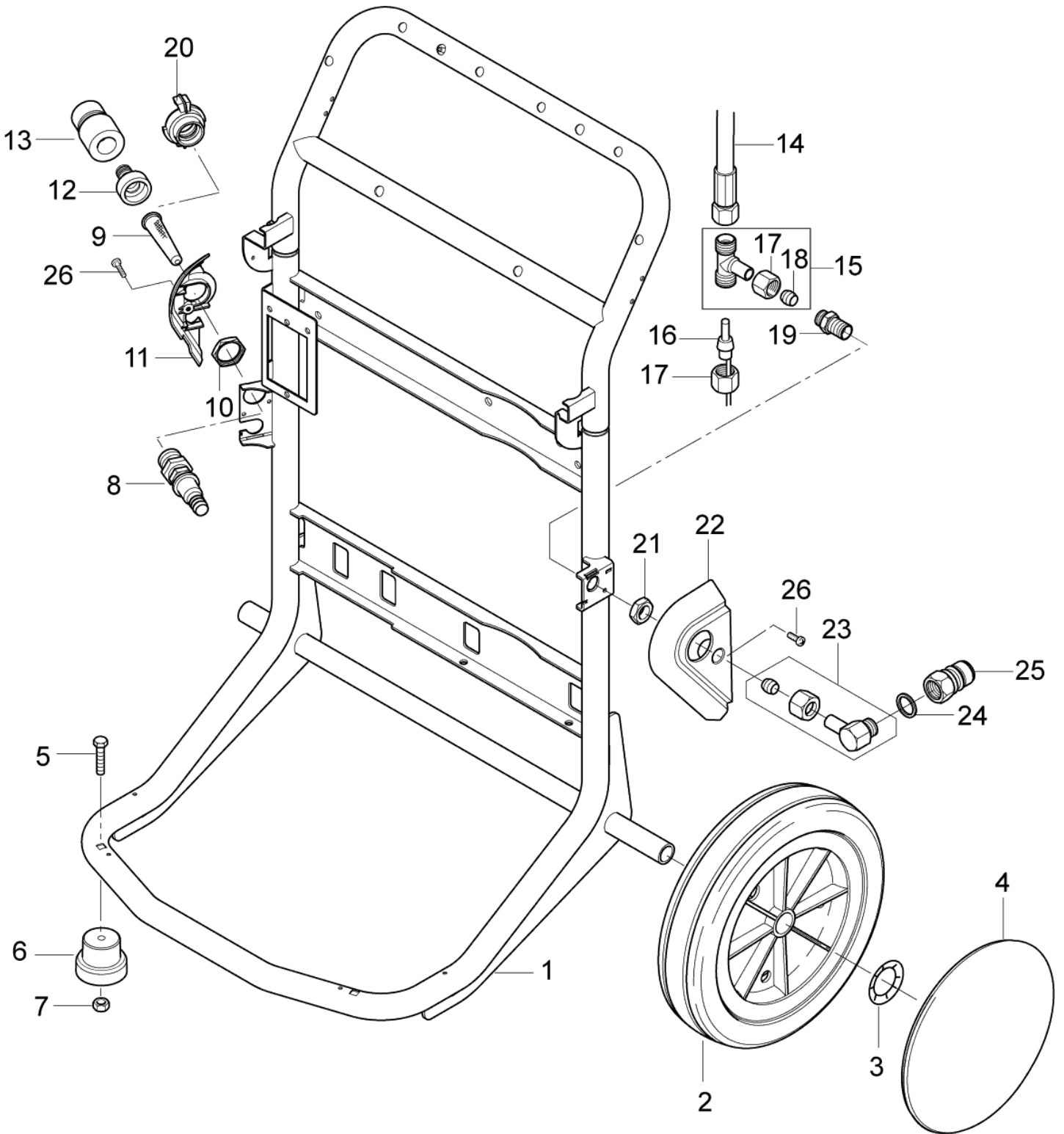
Frame

GERNI NEPTUNE 2-16, 2-26

02-03-2015

Part List ID
GNEPTUNE202

5



Frame

GERNI NEPTUNE 2-16, 2-26

02-03-2015

Part List ID
GNEP1UNE202

6

Pos	Part no.	Qty	Description
1	101117742	1	FRAME CPL. NEPTUNE2
2	6184074	2	WHEEL 300
3	46363	2	CLAMPING RING D25
4	301000332	2	WHEEL CAP D233
5	101117745	2	M8 X 45 ISO 7380 FZB603
6	101117743	2	SUSTAINER
7	61467	2	HEXAGON NUT M8
8	6100937	1	FILTER HOUSING
9	6100941	1	FILTER L 7CM
10	1800341	1	LOCK NUT 3/4IN
11	101117679	1	COVER FOR INLET COMP
12	32541	1	GARDENA MALE 3/4 INCH
13	1602945	1	QUICK COUPLING 3/4 W/GASKET
14	101117740	1	HP HOSE 295MM
15	101118093	1	T-FITTING M18 X 1.5 THREAD
16	101117741	1	TEMP SENSOR WITH CABLE
17	1081	2	UNION NUT L12 DIN 3870-A ST/ZN
18	1080	1	CUTTING RING L12 B DIN 3861 ST/ZN
19	101117744	1	FITTING FOR OUTLET
20	1718	1	COUPLING GEKA FEMALE - INT THREAD 3/4 IN
21	1803220	1	HEXAGON NUT M18X1.5 ISO 8675 ZN
22	101117680	1	COVER FOR OUTLET COMP
23	101117681	1	ANGLE FITTING COMP
24	1801075	1	PACKING RING 23.8X17.2X2 3/8 INCH St-NBR
25	1600493	1	Nippel F. Q-COUPL. 3/8 INCH
26	1803030	2	SCREW CROSS M5 X 12 FZB DIN7985

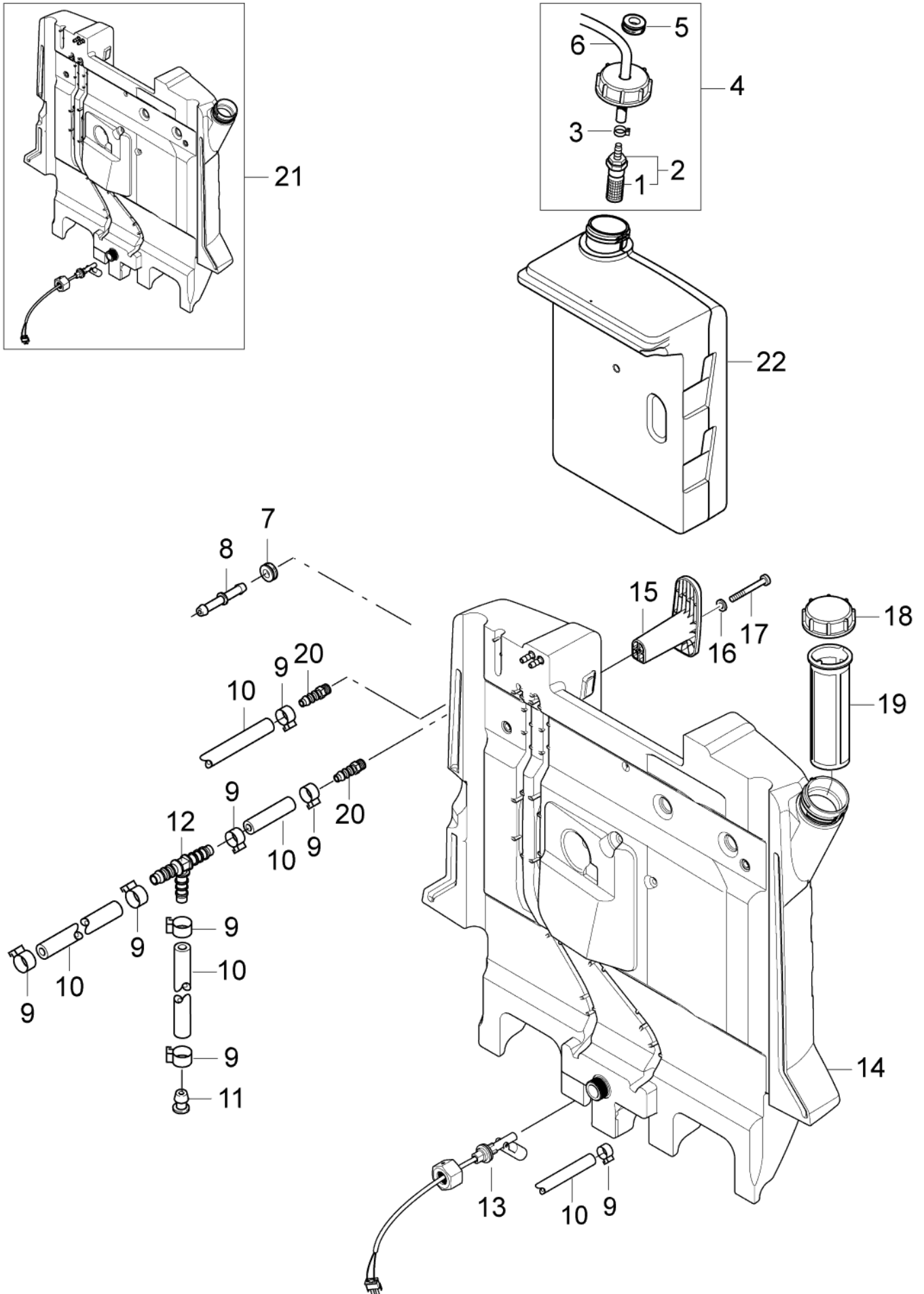
Fuel tank and detergent tank

GERNI NEPTUNE 2-16, 2-26

02-03-2015

Part List ID
GNEPTUNE206

7



Fuel tank and detergent tank

GERNI NEPTUNE 2-16, 2-26

02-03-2015

Part List ID
GNEP1UNE206

8

Pos	Part no.	Qty	Description	
1	3205	1	STRAINER VALVE 3/8	
2	107145440	1	STRAINER VALVE COMPL. KIT	
3	301001133	1	HOSE CLAMP 10/7	
4	101117750	1	DETERGENT HOSEW/CAP AND FILTER	
5	101117749	1	CABLE GROMMET	
6	5206636	1	HOSE 6/10	
7	101117753	2	GROMMET 60/110/50 NEOPREN	up to 12.08
8	101117748	2	PLUG FOR D6 / D10 HOSE	up to 12.08
9	301001133	9	HOSE CLAMP 10/7	
10	5226220	1	HOSE D6X2.5	
11	101117751	1	VENTILATIONS PLUG FOR 6/10 HOSE	
12	101117794	1	T CONNECTOR PIECE D6	
13	101118007	1	LEVEL SENSOR KIT	
14	101118006	1	FUEL TANK COMPLETE KIT	SEE TSB-PPW-2009-006
15	101117678	2	CABLE HOOK COMP	
16	1800440	2	WASHER -1101320 -1103440	
17	31410	2	SCREW M6 X 50 DIN 912 8.8 FZG	
18	101117752	1	CAP FOR FUEL TANK	
19	1604222	1	STRAINER	
20	101117795	1	HOSE FITTING FOR FUEL TANK	From 12.08 and up to 12.09
21	101118043	1	KIT F. FUEL TANK W LEV. SENS. AND DIAGR.	Upgrade kit
22	101117920	1	DETERGENT TANK NEPTUNE 2	

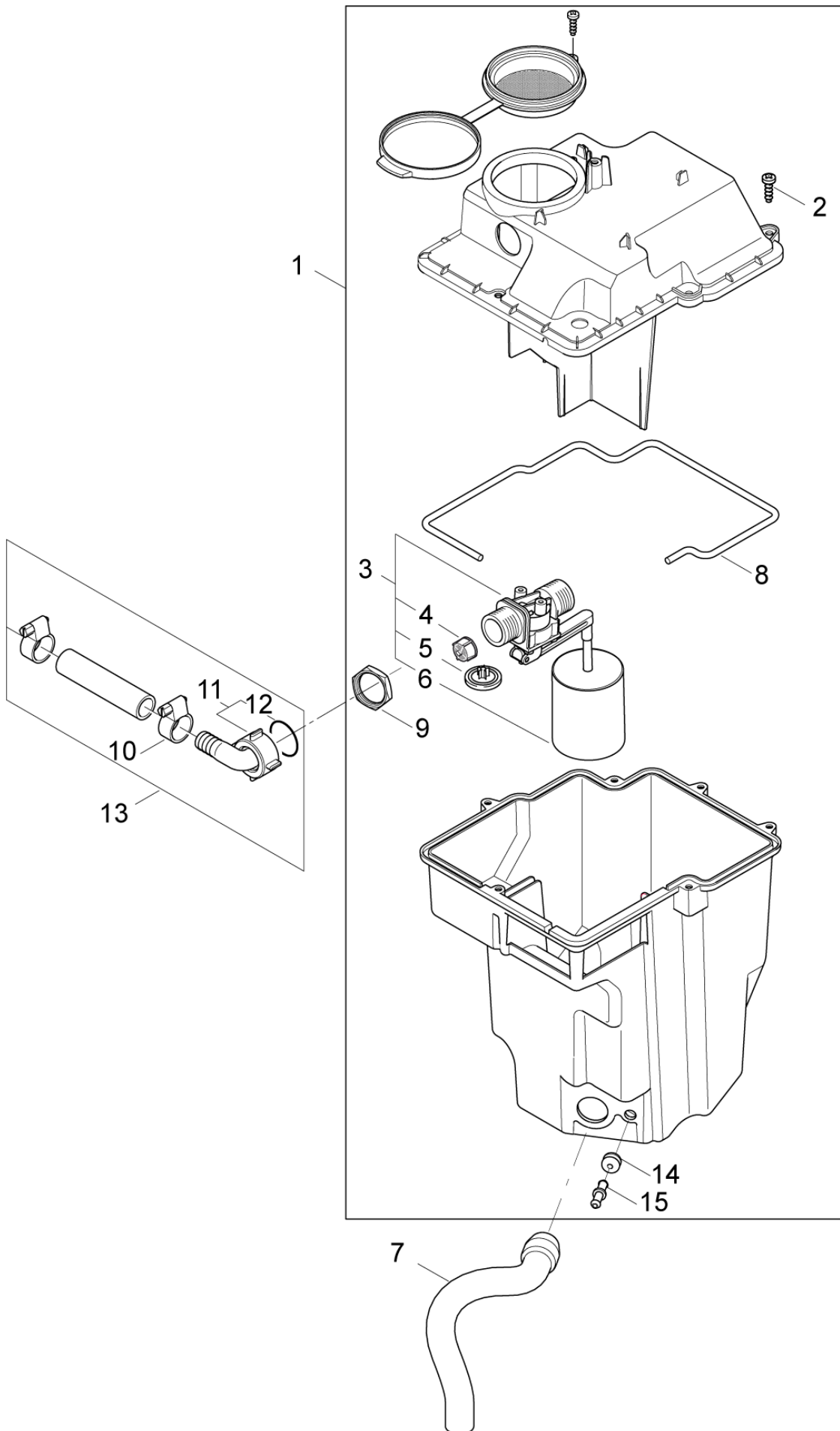
Water break tank

GERNI NEPTUNE 2-16, 2-26

02-03-2015

Part List ID
GNEPTUNE208

9



Water break tank

GERNI NEPTUNE 2-16, 2-26

02-03-2015

Part List ID
GNEP1UNE208

10

Pos	Part no.	Qty	Description
1	101117669	1	WATER BREAK TANK COMP.
2	101814782	6	SCREW K50X18 WN 1412 GALVANIZED
3	101117784	1	FLOAT VALVE
4	34218	1	FILTER FOR FLOAT VALVE Ø19 KU
5	62878	1	MEMBRANE RUBBER
6	62877	1	SWIMMER Ø 55X60
7	101117670	1	SUCTION HOSE KIT.
8	101406054	1	SPONGE RUBBER Ø 4 1M
9	101117785	1	LOCK NUT 3/4
10	8298	2	HOSE CLIP 16-27
11	5613	1	HOSE NOZZLE Ø16 90 DEGREE 3/4 INCH KU
12	15587	1	PACKING RING 14X24X2 RUBBER
13	101117671	1	INLET HOSE KIT
14	101117781	1	CABLE GROMMET 60/90/40
15	101117748	1	PLUG FOR D6 / D10 HOSE

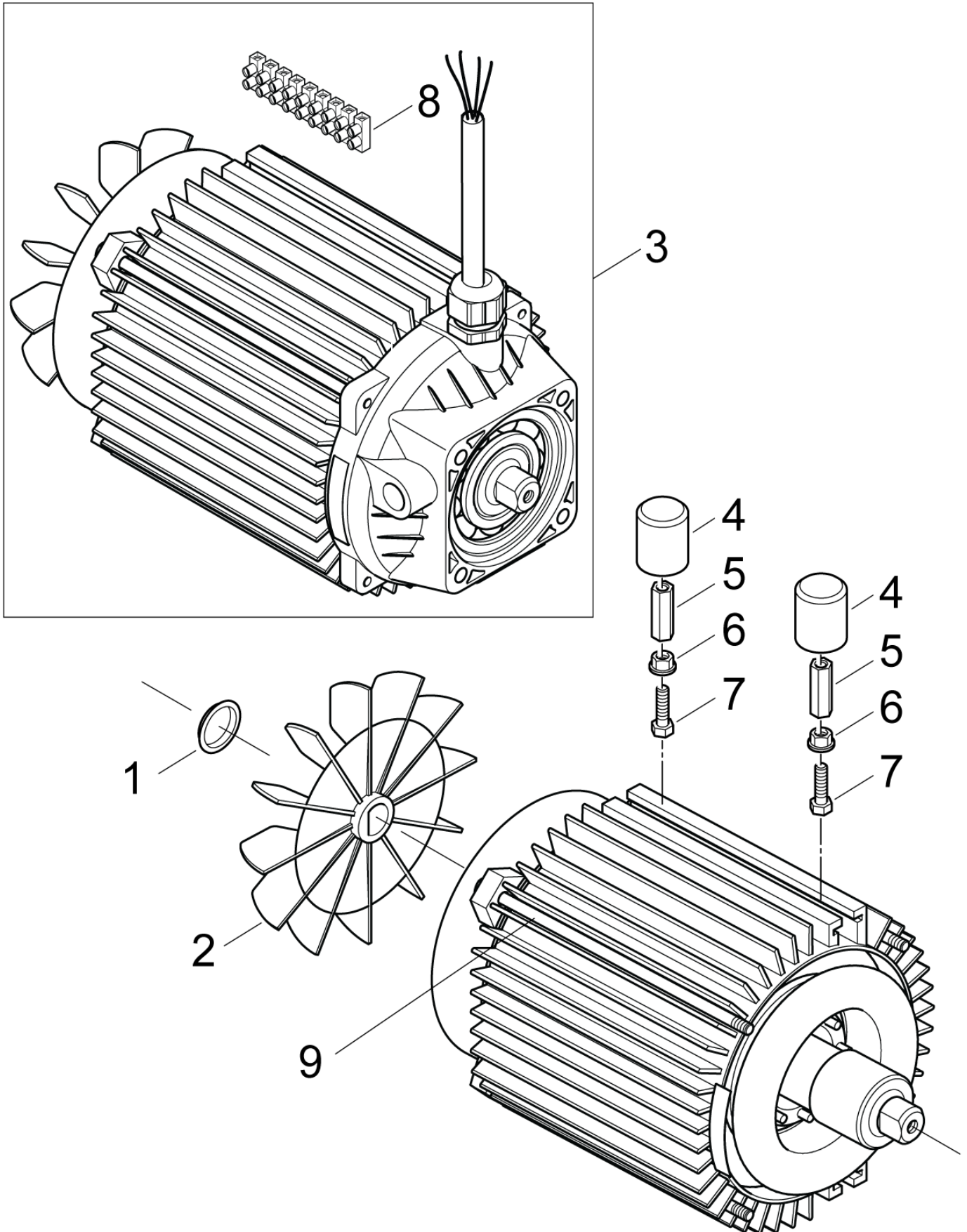
Motor

GERNI NEPTUNE 2-16, 2-26

02-03-2015

Part List ID
GNEPTUNE210

11



Motor

GERNI NEPTUNE 2-16, 2-26

02-03-2015

Part List ID
GNEP1UNE210

12

Pos	Part no.	Qty	Description
1	301001112	1	FASTENING RING
2	101117774	1	MOTOR FAN
3	101117766	1	MOTOR 2 KW 1X230/50 2-25,2-26
4	301002298	2	SUSPENSION
5	301002303	2	SPACER POSEIDON 3
6	61467	2	HEXAGON NUT M8
7	27372	2	HEX. SCREW VERBUS M8X20 DIN 6921
8	101117839	1	TERMINAL PLUG AND TERMINAL PINS
8	101117840	1	MOTOR CABLE 1PH
8	101117841	1	MOTOR CABLE 3PH
9	31000506	1	STAY BOLT M5X186 RF

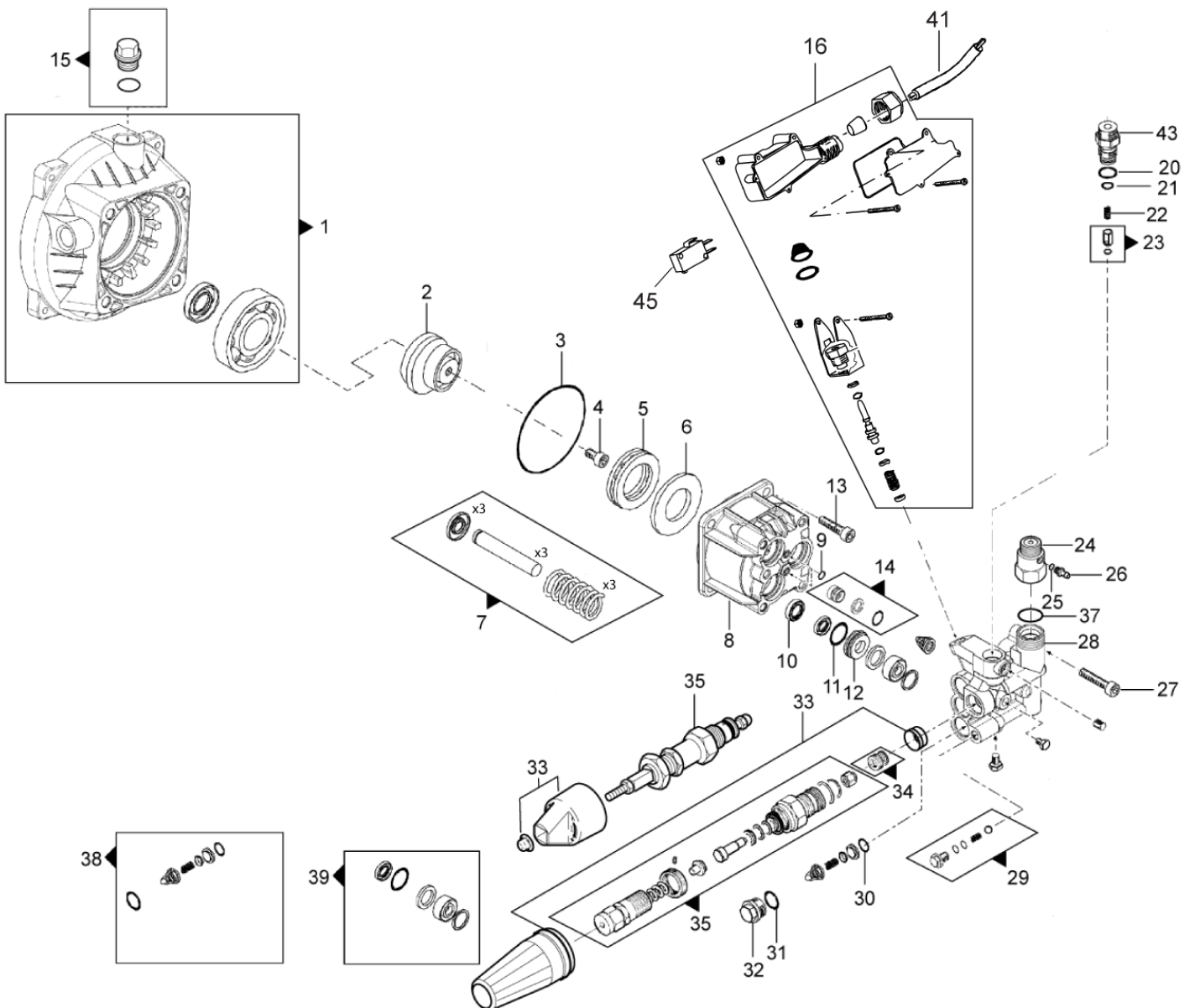
Pump 1 (1ph)

GERNI NEPTUNE 2-16, 2-26

02-03-2015

Part List ID
GNEPTUNE212

13



Pump 1 (1ph)

GERNI NEPTUNE 2-16, 2-26

02-03-2015

Part List ID
GNEP1UNE212

14

Pos	Part no.	Qty	Description
1	31000491	1	D-BEARING COVER FOR GXR PUMP RF
2	101117771	1	WOBBLE DISC 11.25 DEG. Z 2-25
2	101117940	1	WOBBLE DISC 7 DGR. 1 ph 2-16
2	301002568	1	WOBBLE DISC 9.5 2-26
3	909100431	1	-RING 85.0x3.0 SMS 1586 NBR70
4	106162887	1	SCREW M8X20 UNI 5931-8.8
5	909100432	1	ROLLER BEARING 51109 DIN711
6	301002557	1	PAD
7	101117807	1	PISTON KIT FOR GXR CERAMIC 3 PCS
8	301002560	1	PUMP HOUSING 1PH
9	6480272	2	O-RING 2.9x1.78 ARP AS 568 A NBR70
10	301002569	3	OIL SEAL
11	106163024	3	O-RING 1.78X20.35 NBR 70SH
12	301002570	3	PACKING RING Ø14/28X11.5
13	106162887	4	SCREW M8X20 UNI 5931-8.8
14	106162567	3	SUCTION VALVE PLUG KIT
15	101117786	1	OIL CAP KIT
16	101117656	1	START/STOP BOX KIT
20	3002029	1	O-RING 12.42X1.78 NITRIL 70 SH
21	103004325	1	O-RING 15.6X1.78 ARP AS 568 A EPDM70
22	909100428	1	SPRING Ø 8X10
23	106162556	1	CHECK VALVE KIT CPL
24	101117769	1	DETERGENT INLET FOR GXD
25	101117776	1	O-RING 6.35X1.78 NBR 70
26	101117984	1	SUCTION FITTING D1.7
27	9543	4	CYLINDER SCREW M8X55 ISO 4762 ST 8.8/ZN
28	301002545	1	VALVE BLOCK
29	301003095	1	KIT EASY START FROM JULY 2006
30	3002029	6	O-RING 12.42X1.78 NITRIL 70 SH
31	3002045	6	O-RING 17.17X1.78 NITRIL 70 S
32	301002544	6	PLUG
33	101117693	1	HANDLE CPL.
33	62397	1	ROTARY KNOB New End Stop Valve
34	101117686	1	VALVE SEAT KIT
35	101117685	1	REGULATION VALVE ASSY
35	101117917	1	END STOP VALVE New End Stop Valve
37	3001237	1	GASKET Ø24.5XØ16X3 NITRIL 80SH
38	301002562	1	KIT VALVE 6 PCS
39	301002561	1	KIT THRUST COLLAR
41	101117772	1	CABLE FOR PRESSURE SWITCH
43	101117687	1	INJECTOR BODY
45	301002325	1	MICRO SWITCH

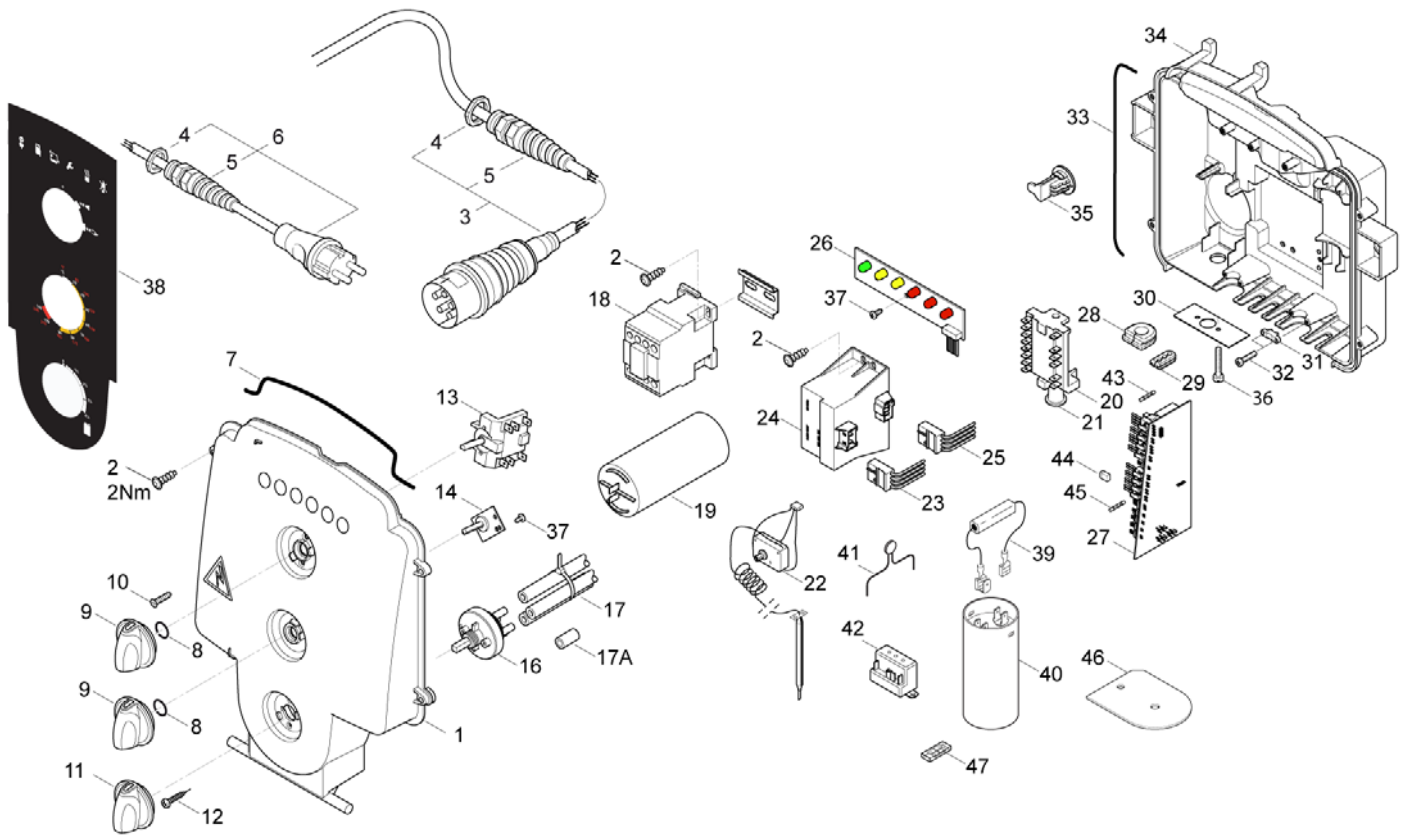
EI-box

GERNI NEPTUNE 2-16, 2-26

02-03-2015

Part List ID
GNEPTUNE218

15



EI-box

GERNI NEPTUNE 2-16, 2-26

02-03-2015

Part List ID
GNEP1UNE218

16

Pos	Part no.	Qty	Description	
1	101117734	1	ELECTRIC BOX LID	
2	101814782	2	SCREW K50X18 WN 1412 GALVANIZED	
3	101117813	1	POWER C.H07RN 3G1.0 ASNZSKIT3112 10A KIT	2-16
3	101117814	1	POWER C.H07RN 3G1.5 ASNZSKIT3112 15A KIT	2-26
4	909100019	1	HEXAGON THIN NUT M20X1.5 EN 50262 PA	
5	909100043	1	CABLE SCREWING W. ANTIBUC. M20X1.5	
6	101117809	1	POWER C.H07RN 3G1.5 CEE7 GDN 6.3X0.8 KIT	
7	101117738	1	FOAM LIST FOR E-BOX	
8	9868	2	O-RING 10.2X2.5 NBR 70	
9	909100204	1	ROTARY KNOB 6X5 BLUE	
10	18274	2	COUNTERSUNK SCREW M4X12	
11	909100214	1	ROTARY KNOB GR.1 4KT. 6X6+8X8 BLUE	
12	1814730	2	SCREW 35X10B W1423	
13	28877	1	SWITCH 10A 400V AC	
14	101117730	1	PCB FOR POTENTIOMETER	
15	101117729	1	CABLE BETWEEN MAIN PCB AND POTI	
16	301001000	1	VALVE 51X70	
17	5206636	1	HOSE 6/10	
18	103822301	1	CONTACTOR CJX2-D12 12A 24V 3P+NO	
18	103822306	1	CONTACTOR CJX2-D18 18A 24V 3P+NO	
19	101118009	1	NEPTUNE 2 SPECIAL COVER	For machines using 2kW motor
19	301002320	1	CAPACITOR 70MF /450V P0 FSH6.3	
20	301000293	1	SWITCH START/TRIANGLE 16	
21	64580	1	ROTARY KNOB	
22	101117723	1	EXH LIMIT SWITCH	
23	101117728	1	CABLE F. POWER TRANSF. PRIMARY 400VNO/US	
24	101117724	1	POWER TRANSFORMER 230/400-24/8V T70	
24	101117725	1	POWER TRANSF. 115/200VAC-24/8VAC T70	
24	101117726	1	POWER TRANSF. 220/460VAC-24/8VAC T70	
25	101117727	1	CABLE FOR POWER TRANSFORMER	
26	101117731	1	PCB FOR LCD	
27	101117732	1	MAIN PCB	
28	301002746	2	GROMMET CONNECTION HOSE	
29	101117735	4	CABLE GROMMET 3 HOLES	
30	101117736	1	LABEL FOR SWITCH 230 400 V	220 440/3/60
30	101117737	1	LABEL FOR SWITCH 220 440 V	230-400/3/50 NO
31	3806262	1	STRAIN RELIEF BRACKET 27.	
32	909100046	2	SCREW 4X8	
33	101406054	2	SPONGE RUBBER Ø 4 1M	
34	101117733	1	ELECTRIC BOX	
35	301001261	2	LOCKING BOLT D29X35	
36	101117739	2	PAN HEAD SCREW	
37	2759	2	HEXAGON NUT M4	

EI-box

GERNI NEPTUNE 2-16, 2-26

02-03-2015

Part List ID
GNEP1UNE218

17

Pos	Part no.	Qty	Description
38	101117955	1	LABEL FOR E-BOX NEPTUNE 2
43	3802246	1	FUSE Ø5X20 1.6A 250V
44	53840	1	JUMPER 2 POL INSULATED
45	3812385	1	FUSE D5x20 6.3A VISCOUS US
17A	301001906	1	CLOSING CAP D12X21.5

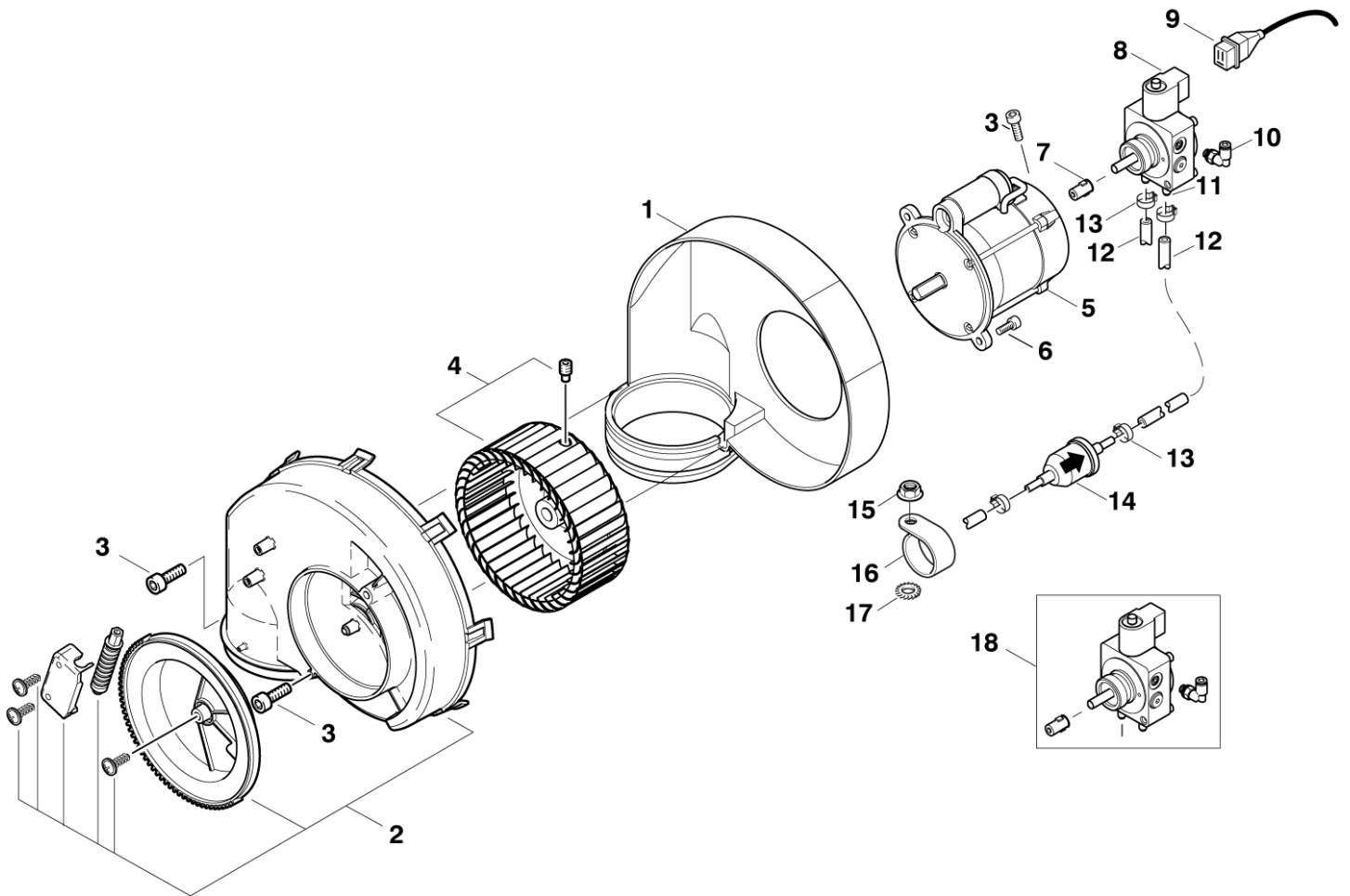
Fan

GERNI NEPTUNE 2-16, 2-26

02-03-2015

Part List ID
GNEPTUNE220

18



Fan

GERNI NEPTUNE 2-16, 2-26

02-03-2015

Part List ID
GNEP1UNE220

19

Pos	Part no.	Qty	Description
1	101117704	1	FAN HOUSING N2
2	301000852	1	COVER FOR FAN HOUSING
3	32535	3	SCREW M5X16
4	301000889	1	FAN WHEEL D160X60
5	101117709	1	BURNER MOTOR 390W - 200V
5	101117710	1	BURNER MOTOR 180W - 230V
6	4697	2	SCREW M6X16
7	101117707	1	COUPLING FOR OIL PUMP BFA 01 L3L
8	3821089	1	COIL WITH NUT AND WASHER
9	101117703	1	CABLE FOR OIL SOLONOIDE
10	101117706	1	PUSH-IN ANGLE FITTING
11	101117777	1	HOSE CONNECTIONS FOR OIL PUMP BFA 01 L3
12	5226220	1	HOSE D6X2.5
13	11654	2	HOSE CLAMP Ø11.5
14	301002926	1	INLINE FILTER 101X36.5X6 KU
15	12496	1	HEXAGON NUT M6
16	101117705	1	HOLDER FOR FUEL FILTER
17	7062	1	SERRATED WASHER A 6.4 DIN 6797 ZN
18	101117673	1	OIL PUMP INCL. FITTINGS

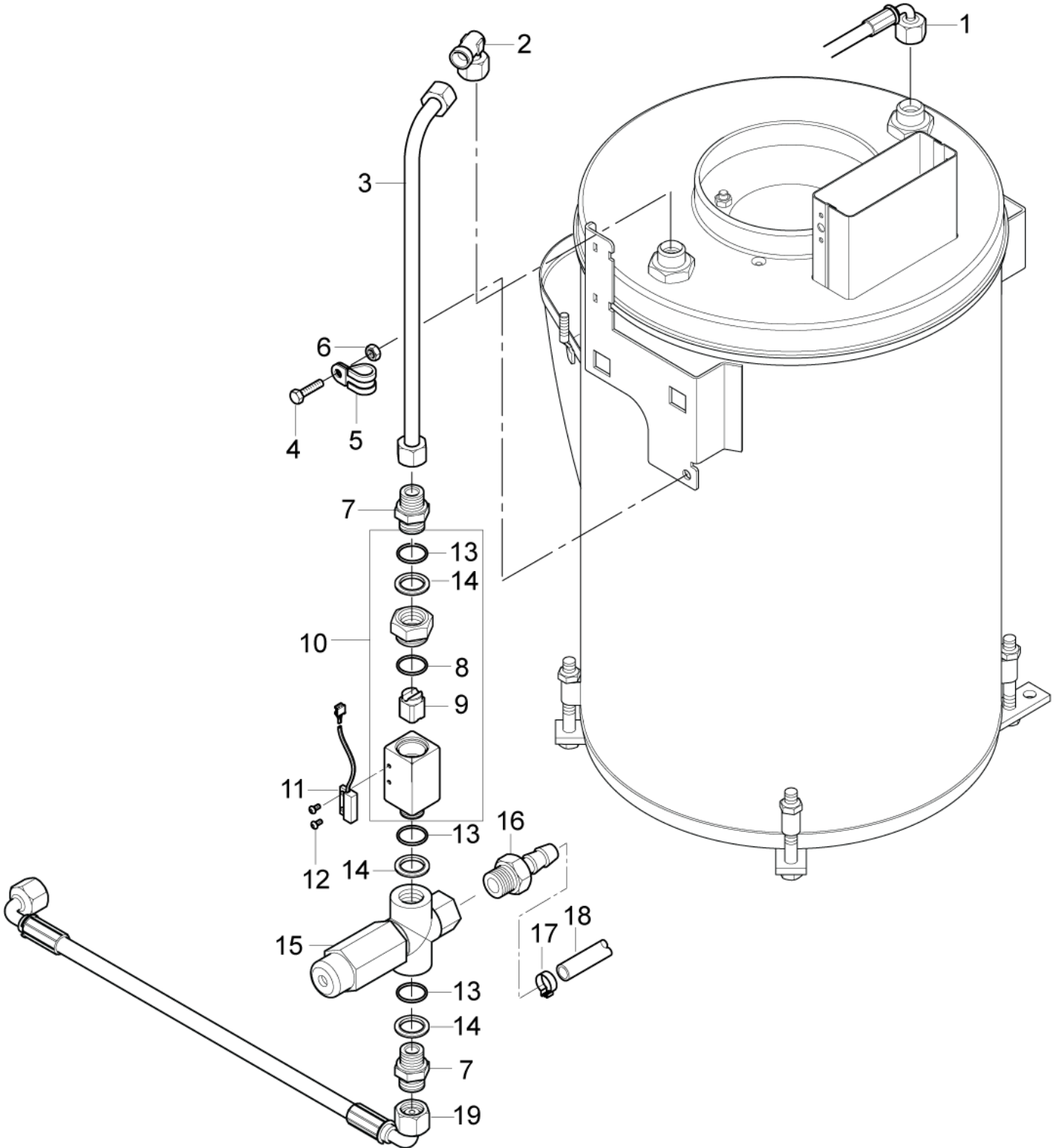
Distributor, Flow switch

GERNI NEPTUNE 2-16, 2-26

02-03-2015

Part List ID
GNEPTUNE222

20



Distributor, Flow switch

GERNI NEPTUNE 2-16, 2-26

02-03-2015

Part List ID
GNEP1UNEZZZ

21

Pos	Part no.	Qty	Description
1	101117740	1	HP HOSE 295MM
2	101118094	1	COUPLING KIT 90D ISO 8434 M18X1.5 THREAD
3	101117676	1	STEEL PIPE COMP.
4	4697	1	SCREW M6X16
5	101117718	1	CLAMP FOR PIPE
6	11619	1	Lock Nut M6 - 8 A2K DIN985
7	1601079	2	THREADED CONNECTION
8	G120381	1	O-RING 18.00X2.00 N70
9	101117716	1	MAGNET HOUSING CPL.
10	101117675	1	FLOW SWITCH COMP.
11	101117719	1	REED SWITCH FOR FLOW SWITCH
12	101117717	2	SCREW TORX M3X6 ELECTRO PLATED DIN 7985
13	16998	3	O-RING 14.0x1.5 NBR70
14	1801075	3	PACKING RING 23.8X17.2X2 3/8 INCH St-NBR
15	101117720	1	SAFETY VALVE ADJUSTED TO 146 BAR
15	101117721	1	SAFETY VALVE ADJUSTED TO 234 +/-5 BAR
15	101117722	1	SAFETY VALVE ADJUSTED TO 250 +/-5 BAR
15	101117950	1	SAFETY VALVE COMP. ADJUST 200+/-5 BAR
16	2580	1	HOSE LINER Ø 6 G3/8
17	11654	1	HOSE CLAMP Ø11.5
18	4973	1	HOSE Ø6X3
19	101117715	1	HP HOSE 428MM

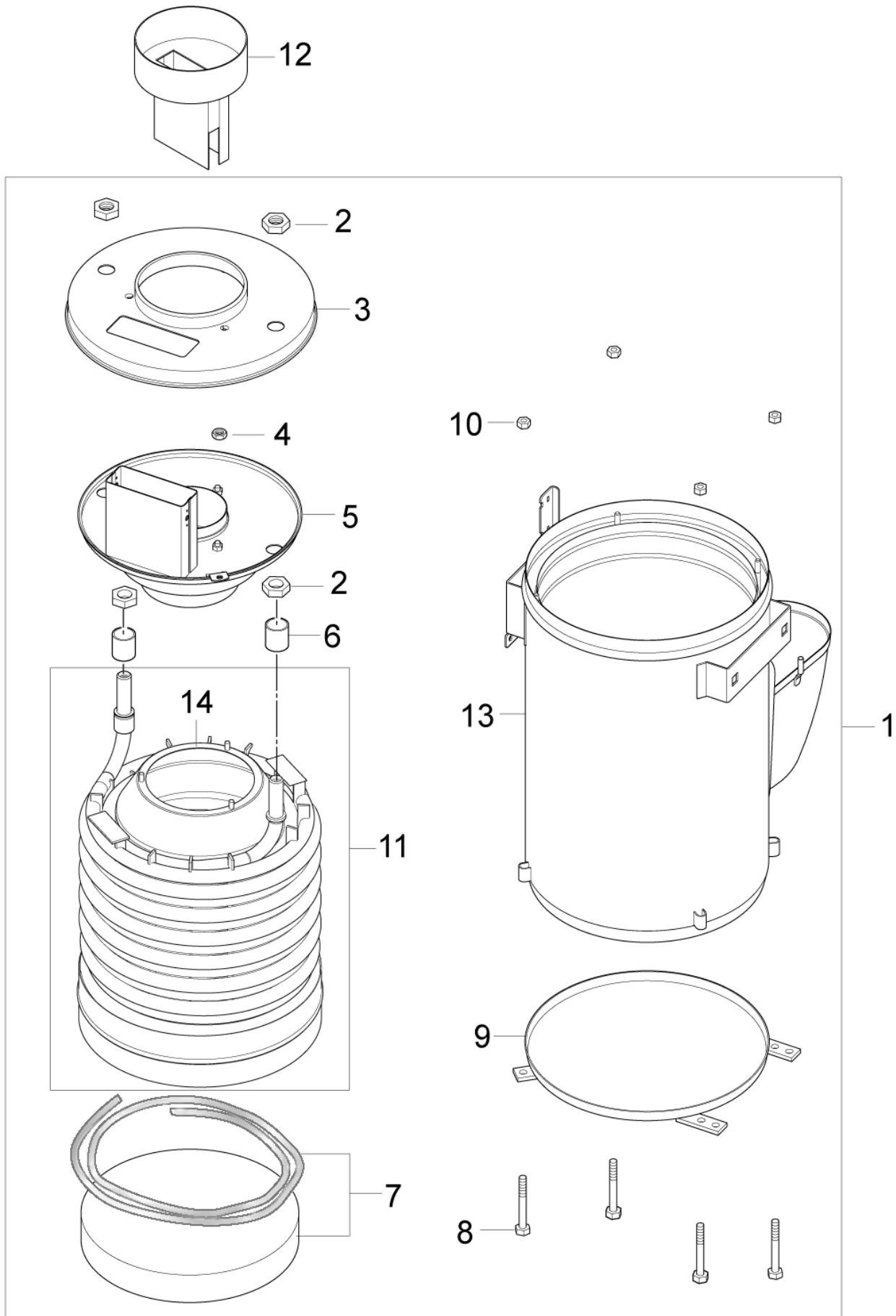
Heat exchanger

GERNI NEPTUNE 2-16, 2-26

02-03-2015

Part List ID
GNEPTUNE224

22



Heat exchanger

GERNI NEPTUNE 2-16, 2-26

02-03-2015

Part List ID
GNEP1UNE224

23

Pos	Part no.	Qty	Description
1	101117754	1	BOILER N2
1	101117783	1	NEPTUNE 2 BOILER W. STAINLESS STEEL COIL accessory
2	7012	4	HEXAGON NUT M18X1.5
3	101117768	1	BOILER COVER OUTER
4	12263	4	HEXAGON NUT M6
5	101117767	1	BOILER COVER INNER
6	301000582	2	BUSHING Ø22X1.5X24
7	101117684	1	ISOLATION KIT NEPTUNE 2
8	3453	4	SCREW M8X60
9	101117755	1	BOTTOM COVER BOILER
10	2758	4	HEXAGON NUT M8
11	101117790	1	COIL FOR B2 BOILER
11	107145351	1	STAINLESS COIL accessory
12	107145328	1	CHIMNEY ADAPTOR KIT accessory
13	101117916	1	BOILER JACKET
14	31000527	1	SHIELDING CONE FOR BOILER N2

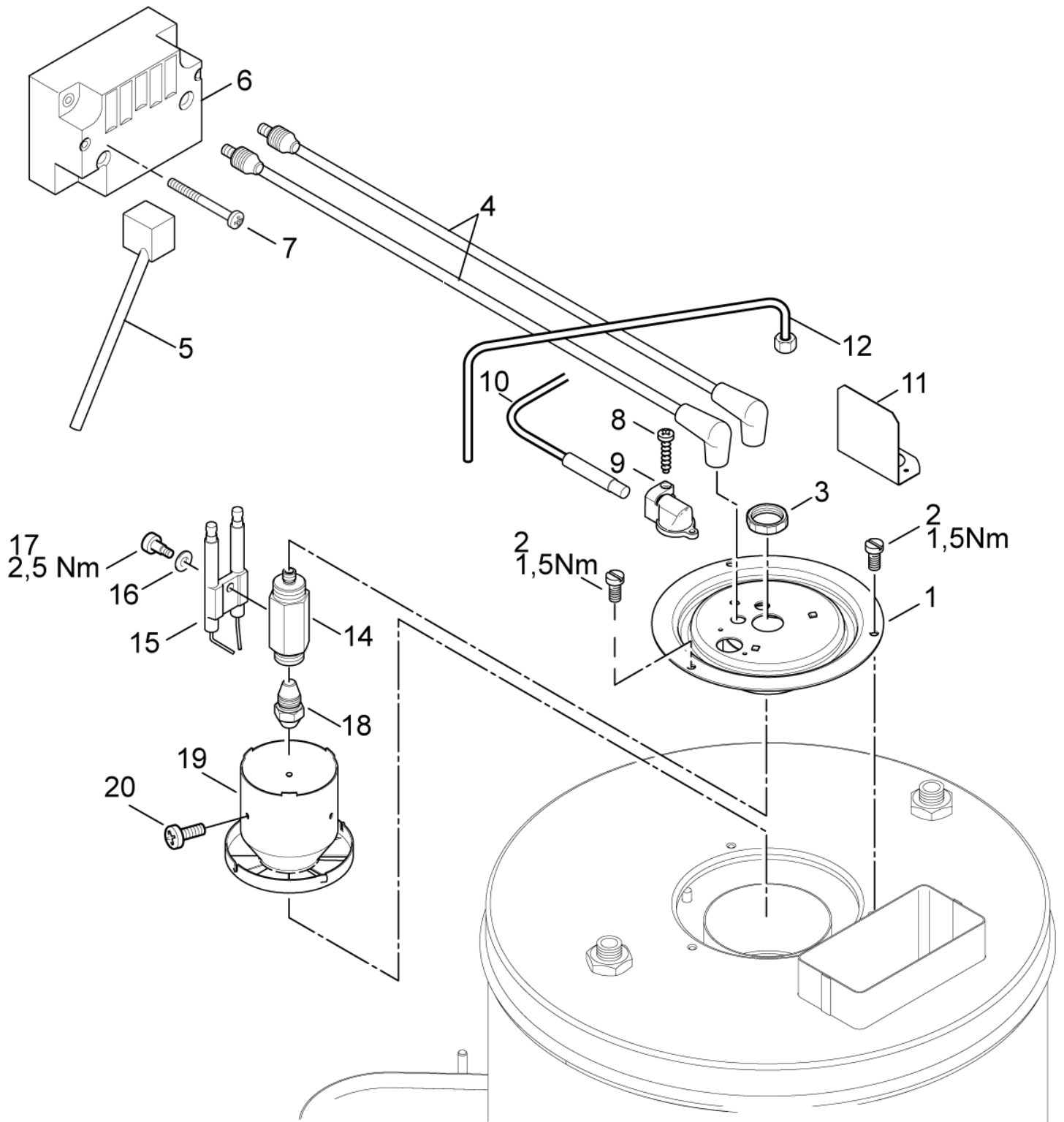
Heat exchanger assy., ignition transformer

GERNI NEPTUNE 2-16, 2-26

02-03-2015

Part List ID
GNEPTUNE226

24



Heat exchanger assy., ignition transformer

GERNI NEPTUNE 2-16, 2-26

02-03-2015

Part List ID
GNEP1UNE226

25

Pos	Part no.	Qty	Description	
1	101117757	1	COVER FOR BOILER COMPLETE	
2	4820	3	SCREW M5X10	
3	909100139	1	HEXAGON NUT M20X1 24X6 CUZN	
4	101117760	1	IGNITION CORD 7X500 - DANFOSS 2 PCS	
5	101117756	1	PRIMARY CABLE FOR IGNITION COIL	
6	101117759	1	IGNITION TRANSF 220-240 50-60 - DANFOSS	
6	301002083	1	IGNITION TRANSFORMER 110-120 50-60	
7	42236	2	CYLINDER SCREW M5X45 ISO 1207 ZN	
8	5606	1	SCREW 2.9X19	
9	301000934	1	HOLDER FLAMESENSOR	
10	101117837	1	FLAME SENSORPLUG KIT	
11	101117922	1	PLATE FOR FLAME SENSOR KIT	
12	101117674	1	FUEL PIPE COMP.	
14	301001548	1	HOLDER OIL ATOMIZER SW22X65.5	
15	301150009	1	SPARE PART KIT FOR IGNITION ELECTRODE	
16	909100144	1	SPRING WASHER B5	
17	909100143	1	PAN HEAD SCREW M4X 4.5	
18	2802712	1	OIL NOZZLE 1.0 GAL 60 DEGREES	2-25, 2-33, 2-41
18	301002856	1	FUEL NOZZLE 0.75 60 DEG.	2-26
19	101117758	1	AIR DISTRIBUTOR	2-25, 2-33, 2-41
19	301002848	1	BAFFLE PLATE D80 X 71.3	2-26
20	51848	3	OVAL HEAD SCREW M3X4	

Default accessories

GERNI NEPTUNE 2-16, 2-26

02-03-2015

Part List ID
GNEPTUNE230

26

No Drawing For Part List

Default accessories

GERNI NEPTUNE 2-16, 2-26

02-03-2015

Part List ID
GNEPTUNE230

27

Pos	Part no.	Qty	Description
0	101117951	1	HP-HOSE DN6X10M FOR SWIVEL QUICK 3/8
0	106403120	1	ERGO 2000 ST GUN W. HOSE SWIVEL - GERNI
0	106403121	1	ERGO 2000 GUN VP W. HOSE SWIVEL - GERNI

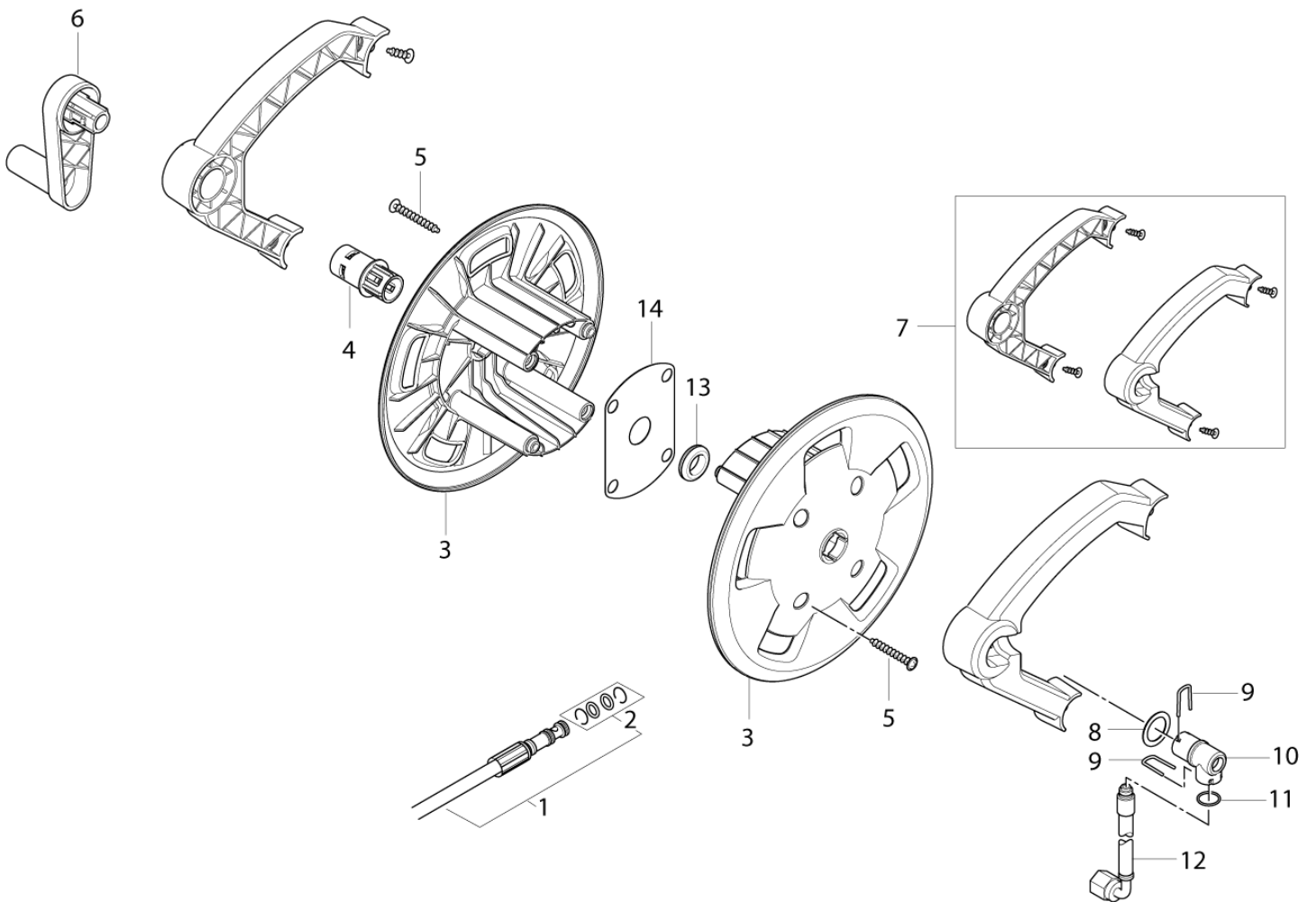
Hose reel

GERNI NEPTUNE 2-16, 2-26

02-03-2015

Part List ID
NEPTUNE228

28



Hose reel

GERNI NEPTUNE 2-16, 2-26

02-03-2015

Part List ID
NEPTUNE228

29

Pos	Part no.	Qty	Description
-	107145197	1	HOSE REEL CPL. FOR MOUNTING IN BOX
1	101117763	1	HP HOSE DN6 15 FOR HW AND SWIVEL
2	101117787	1	O-RING KIT 10x2 HNBR 90 SH W/BACKUP RIN
3	6528570	2	HOSE REEL
4	301002273	1	ADAPTOR
5	1814641	4	SCREW PT K50X30 TORX
6	6528569	1	HOSE REEL HANDL
7	101117683	1	ADAPTORS FOR HOSE REEL COMP
8	6127995	1	WASHER
9	6526487	2	LOCK BRACKET SS
10	6127990	1	CONNECTOR D14/D14 CUZN
11	101117762	1	O-RING 14.3X2.4 NBR 70 SHORE
12	101117761	1	HP HOSE 600MM
13	101117992	1	RUBBER BUSH F HOSE REEL KIT
14	101117991	1	PLATE F. HOSE REEL KIT

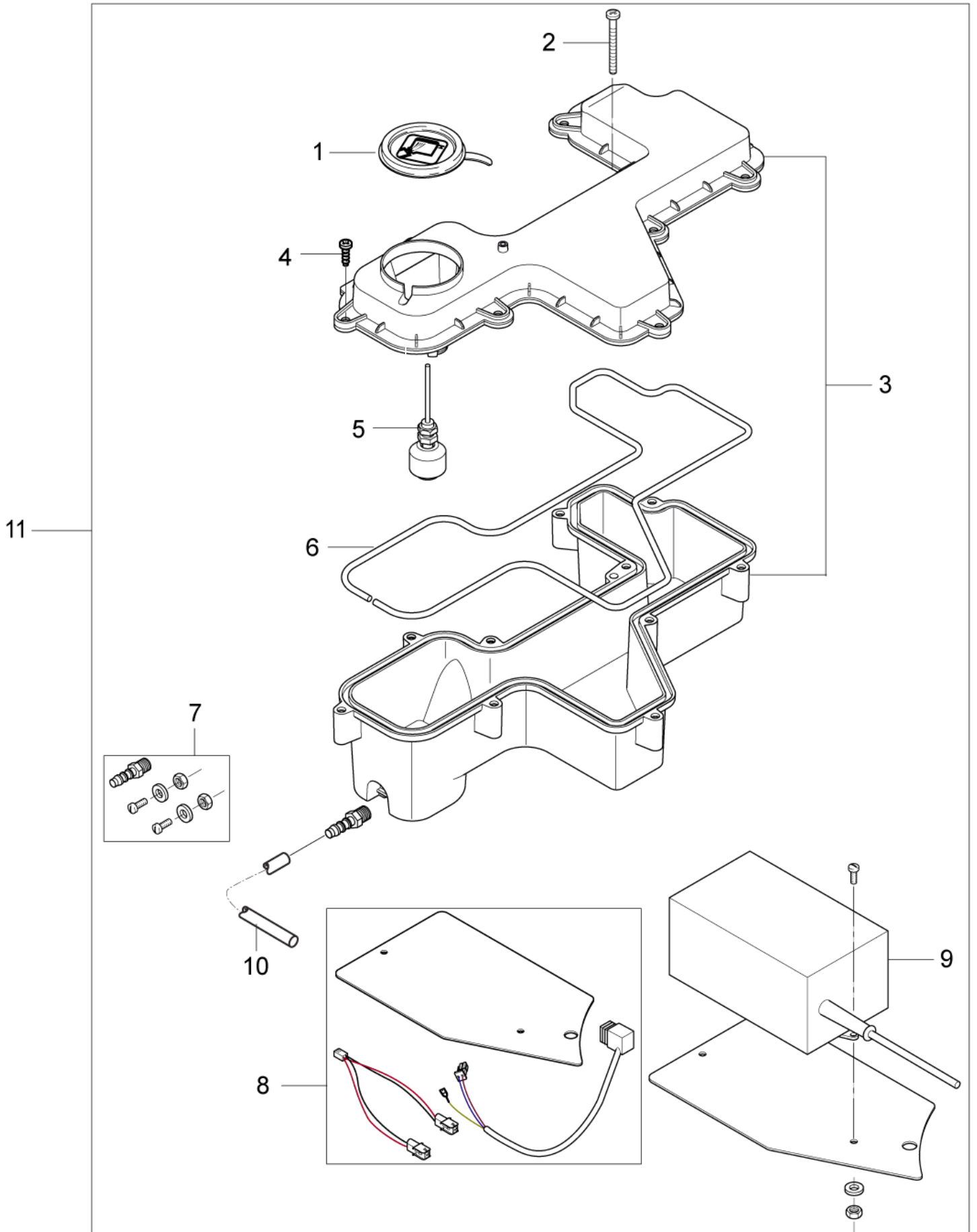
Anti scale

GERNI NEPTUNE 2-16, 2-26

02-03-2015

Part List ID
NEPTUNE230

30



Anti scale

GERNI NEPTUNE 2-16, 2-26

02-03-2015

Part List ID
NEPTUNE230

31

Pos	Part no.	Qty	Description
1	45646	1	COVER
2	1814733	1	SCREW K50X50 TORX BLACK
3	101117701	1	ANTISCALE TANK PLASTIC KIT
4	101814782	10	SCREW K50X18 WN 1412 GALVANIZED
5	101117700	1	ANTISTONE SENSOR WITH CABLE
6	101117796	1	SILICONE GASKET D3X1
7	101117831	1	SCREW FITTING F MOUNTING ANTISCALE PUMP
8	101117834	1	WIRES AND PLATE-ANTISCALE- FOR NEPTUNE 2
9	101117826	1	ANTISCALE PUMP ST-15 35 ML WITH PLUG 24V
10	101117833	1	HOSE D3/D5 TRANSPARENT 0.6MM KIT
11	107145123	1	ANTI SCALE TANK CPL.