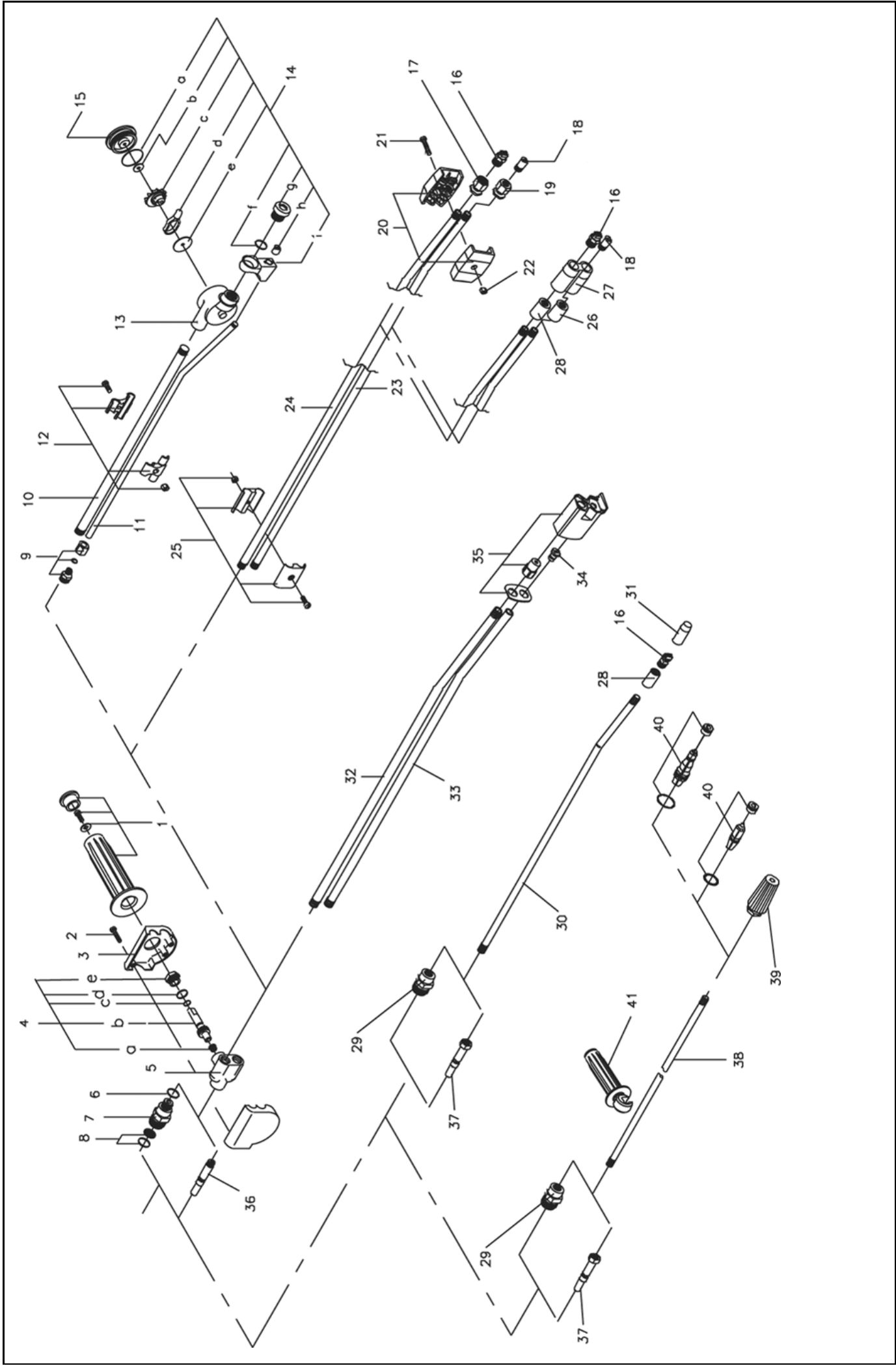

G9P

Reservedelsliste
Spare parts list
Ersatzteilliste
Liste de pièces détachées

Spulerør / Lances / Lanzen / Lance	2
Pistol / Pistol / Pistole / Pistolet	6
Ramme / Frame / Rahmen / Cadre	8
Pumpe / Pump / Pumpe / Pomp	11
Motor / Motor / Motor / Moteur	14

Spulerør / Lances / Lanzen / Lance



Spulerør / Lances / Lanzen / Lance

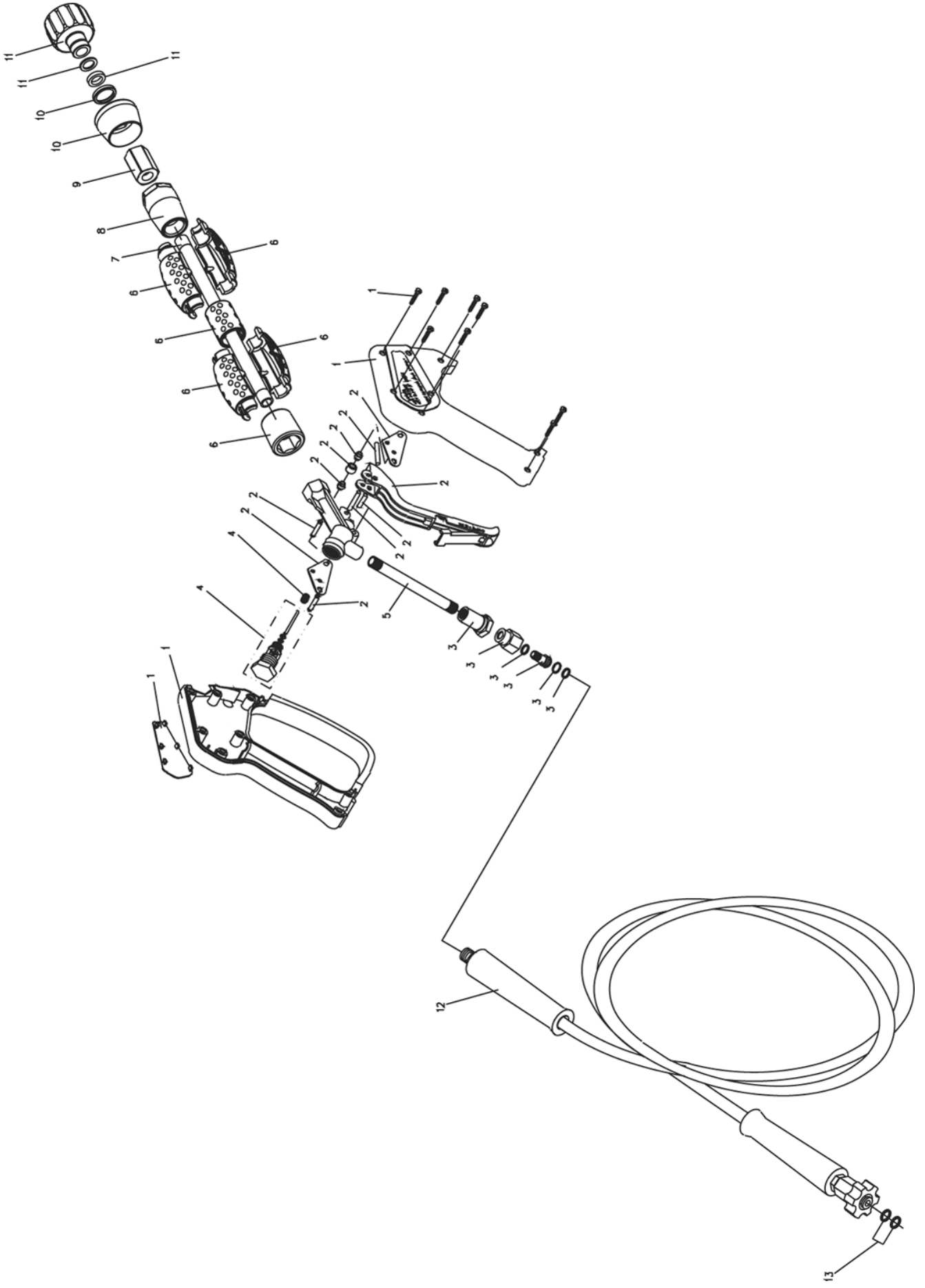
Pos.	Ref. no.	Beegnelse Description	Bezeichnung Description	G9P
0-A	06261108	TURBO-LASER 600 MM TURBO LASER W. PRES. REG. - SCREW - 600 MM, 6.5	TURBO LASER TURBO-LASER 600MM 600S/21	1
0-A	06262066	TURBO-LASER 600MM QUICK TURBO LASER W. PRES. REG. - QUICK - 600 MM, 6.5	TURBO-LASER 600MM RAPIDE	1
0-B	06260758	DOBBELT SPULERØR 600MM EXCL.TRYKDYSE DOUBLE LANCE - PRES. REG.- SCREW -600 MM,	DOPPELLANZE DOUBLE LANCE 600MM	1
0-B	06262063	DOBB.SPULERØR 600MM QUICK DOUBLE LANCE - PRES. REG.- QUICK -600 MM,	LANCE DOUBLE RAPIDE, 600M	1
0-C	06260382	ENKELT SPULERØR 600 MM SINGLE LANCE - SCREW - 600 MM, EXCL.NOZ	EINZELLANZE LANCE SIMPLE 600 MM	1
0-C	06262059	ENK.SPULERØR 600MM QUICK SINGLE LANCE - QUICK - 600 MM, EXCL.NOZ	LANCE SIMPLE RAPIDE, 600M	1
0-D	06261957	SPECTRUM 600MM U/TRYKDYSE SPECTRUM W. PRES. REG. - SCREW - 600 MM,	SPECTRUM OHNE DÜSE - 600 MM SPECTRUM SANS GICLEUR - 600 MM	1
0-D	06261991	SPECTRUM M/ TRYKREG. - SKRUE - 600 MM, 165 SPECTRUM W. PRES. REG. - SCREW - 650 MM, 165	SPECTRUM DÜSE LANCE SPECTRUM 660-600P	1
0-D	06262094	SPECTRUM M/ TRYKREG. - LYN - 600 MM, 165 SPECTRUM W. PRES. REG. - QUICK - 600 MM, 165	LANCE SPECTRUM 600/46.5 R	1
0-D	06262253	SPECTRUM 600 U.DYSE QUICK SPECTRUM W. PRES. REG. - QUICK - 600 MM,	LANCE SPECTRUM R.R-S/GICL	1
0-E	06262117	ROTO JET LANSE 070 ROTO JET - SCREW - 600 MM, 7.0	LANCE ROTO JET 070	1
0-E	06262128	ROTO JET M/LYN - 600 MM, 7.0 ROTO JET - QUICK - 600 MM, 7.0	LANCE ROTO JET RAPIDE 070	1
01	06260232	HANDTAGSKIT F.SPULERØR HANDLE KIT	HANDGRIFFKIT F. DOPPELLANZE KIT SERVICE AVEC POIGNEENNE DOUBLE	1
02	06070479	SKRUE, 4X20 SCREW, 4X20	SCHNEIDSCHRAUBE, SCHWARZZINK VIS	3
03	06200097	PYNTEDÆKSEL F.VENTILHUS COVER F. VALVE HOUSING	STAUBKAPPE F. VENTILGEHAE COUVERCLEOR. D. VAN OR. D. VAN	1
04	06260860	VENTILSPINDEL KIT VALVE SPINDLE KIT	VENTILSPINDELKIT F. DRUCKREGELUNG KIT REGLAGE PRESSION DOUBEGL. PRES.	1
04C	06120006	O-RING, 6.75X1.78 O-RING, 6.75X1.78	O-RING JOINT TORIQUE MAT 4470	1
04D	06120010	O-RING, 13.1X1.6 O-RING, 13.1X1.6	O-RING JOINT TORIQUE MAT 4470	1
04E	06190245	MØTRIK NUT	MUTTER F. VENTIL ECROU POUR VANNE DOUB.LAN	1
05	06211078	VENTILHUS VALVE HOUSING	VENTILGEHAEUSE, KPL. CULASSE LANCE DOUBLE ET	1
06	06120188	O-RING, 10X2 O-RING, 10X2	O-RING JOINT TORIQUE	1
07	06030484	SKRUEKOBLING 1/4 UDY. SCREW COUPLING ROTATABLE, 1/4"	SCHR.KUPPLUNG DREHBAR F.DOPPELLANZE ACCOUPL. VIS TOURNANT DBL LANCE DOUBLE	1

Spulerør / Lances / Lanzen / Lance

Pos.	Ref. no.	Betegnelse Description	Bezeichnung Description	G9P
08	06100332	FILTER FOR TURBO LASER FILTER FOR TURBO LASER	FILTER F. TURBO LASER M. O-RING FILTRE TURBO LASER	1
08A	06120139	O-RING, 10X1 O-RING, 10X1	O-RING JOINT SPY JET	1
09	06030527	BRYSTNIPPEL, 8X1/4" BREAST NIPPLE, 8X1/4"	GEWINDESTUECK RACCORD	1
10	06050841	SPULERØR LIGE, Ø13X1,5X586 LANCE STRAIGHT, Ø13X1,5X586	LANZE GERADE TURBO LASER LANCE DROITE TURBO LASER	1
11	06050842	KEMIRØR 15 GR. BUK , Ø8X1X622 DETERGENT PIPE 15 DEG., Ø8X1X622	REI.MITTLERØHR 15 GR. VERB. F. T. L. TUYAU POUR LANCESE, 15 DSE, 15 DEGRES	1
12	06261130	BESLAG FOR TURBO LASER FITTINGS FOR TURBO LASER	BESCHLAG F. TURBO LASER ROHR ARMATURE POUR TURBO LASER TUYAU	1
13	06261288	TURBO LASER HUS , Ø3,6 MIN 720 L TURBO LASER HOUSING, Ø3,6 MIN 720 L	GEHAEUSE F. TURBO LASER CORPS P.TURBO LASER 3E GE COMPLET	1
14	06261151	TURBO LASER KIT, 6.5 TURBO LASER KIT, 6.5	SERVICEKIT F. TURBO LASER KIT REPARATION TURBO LASEASER	1
14A	06120544	O-RING, 36.0X1,78 O-RING, 36.0X1,78	JOINT TORIQUE	1
14F	06120282	O-RING, 14X1,78 O-RING, 14X1,78	O-RING JOINT TORIQUE 14 X 1,78	1
14H	06180533	DYSE, Ø10X12 NOZZLE, Ø10X12	DUESE GICLEUR DIA. 10X12	1
15	06180936	LÅG FOR TURBO LASER COVER FOR TURBO LASER	DECKEL F. TURBO LASER, BEARBEITET COUVER.P.TURBO LASER FACOR, FACONNE	1
16	06090211	DYSE HÆRDET 1/4-1506.5 FLAT JET NOZZLE 15°, 6.5	FLACHSTRAHLDUESE 15° GICLEUR DURCI 1/4MEG15065	1
17	06180780	DYSEHOLDER, 17X20 NOZZLE HOLDER, 17X20	DUESENHALTER F/HOCHDRUCKDUESE SUPPORT DE GICLEUR H.P.EUEUR H.P.	1
18	06180779	KEMIDYSE, Ø10X22 DETERGENT NOZZLE, Ø10X22	REINIGUNGSMITTELDUESE GICLEUR DETERGENT	1
19	06180781	DYSEHOLDER FOR KEMI, 17X20 NOZZLE HOLDER FOR DETERGENTS, 17X20	DUESENHALTER F/REINIGUNGSMITTEL SUPPORT DE GICLEUR DETERGENT	1
20	06200226	DYSEBESKYTTER NOZZLE PROTECTION, PLASTIC	DUESENSCHUTZ KUNSTSTOFF PROTECTION GICLEUR PLASTI PLASTIQUE	2
21	06070497	SKRUE, 5X22 SCREW, 5X22	SCHRAUBE, ROSTFREI, Z/K VIS C/H INOX	1
22	06080123	MØTRIK, M5 NUT, M5	MUTTER, ROSTFREI RONDELLE	1
23	06050941	KEMI-RØR, RUSTFRI, Ø13X1,5X591 DETERGENT PIPE, STAINLESS, Ø13X1,5X591	DOPPELLANZE TUBE DE LANCE BP	1
24	06050940	SPULERØR, RUSTFRI, Ø13X1,5X596 LANCE, STAINLESS, Ø13X1,5X596	DOPPELLANZE TUBE DE LANCE HP	1
25	06260537	BESLAG F. DOBB. SPULERØR FITTINGS FOR DOUBLE LANCE	BESCHLAG F/DOPPELLANZE TURBO ENTRETOISE LANCE TURBO TE TURBO	1

Spulerør / Lances / Lanzen / Lance

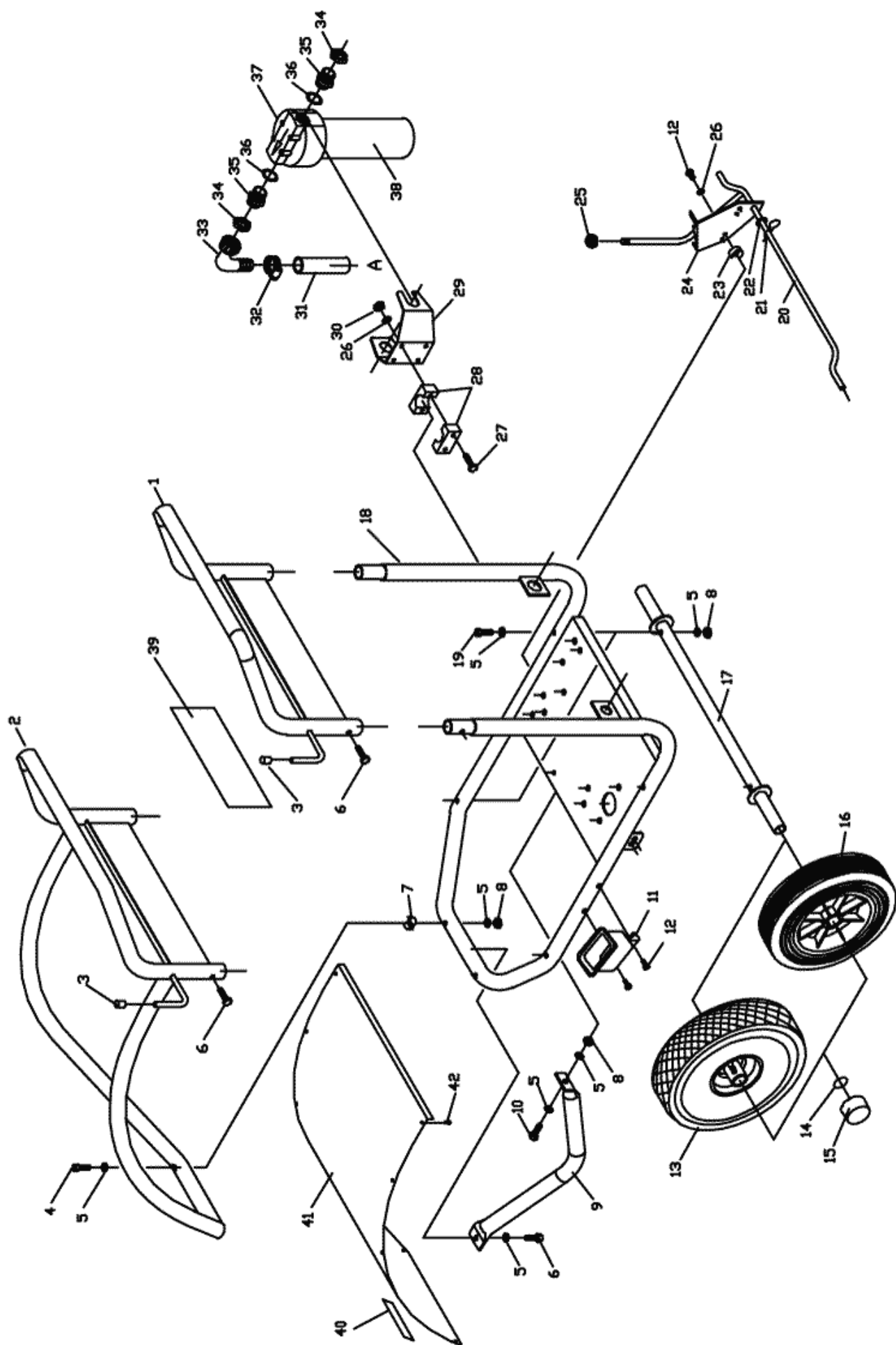
Pos.	Ref. no.	Betegnelse Description	Bezeichnung Description	G9P
26	06181232	DYSEHOLDER FOR KEMI, Ø18X26 NOZZLE HOLDER FOR DETERGENTS, Ø18X26	DUESEHALTER F. REINIGUNGSMITTELDUESE SUPPORT GICLEUR POUR DETER DE DETERGENT	1
27	06200374	DYSESKYTTER DOBBELT NOZZLE PROTECTION, PLASTIC, DOBBLE	DUESESCHUTZ - DOBBELT PROTECT.PLAST.GICLEUR LAN	1
28	06030643	MUFFE FOR SPULERØR, Ø10 SOCKET FOR LANCE, Ø10	MUFFE F. LANZE MANCHON POUR LANCE INOX	1
28	06181233	DYSEHOLDER , Ø18X26 NOZZLE HOLDER , Ø18X26	DUESEHALTER F. HOCHDRUCKSDUESE SUPPORT GICLEUR HAUTE PRE	1
29	06030485	SKRUEKOBLING, 1/4" INDV. SCREW COUPLING, 1/4"	SCHRAUBENKUPPLUNG, NICHT DREHBAR ACCOUPL. VIS 1/4 INT.NT NT	1
30	06050116	SPULERØR, RUSTFRI, Ø13X586 LANCE, STAINLESS, Ø13X586	LANZE, ROSTFREI LANCE INOX DIAM. 13X586	1
31	06200375	DYSESKYTTER ENKELT NOZZLE PROTECTION, PLASTIC, SINGLE	DUESESCHUTZ PROTECT.PLAST.GICLEUR LAN	1
35	06261968	SPECTRUM KIT, 150 SPECTRUM KIT, 150	SPECTRUM KIT KIT SPECTRUM 690/6900	1
36	06030649	LYNKOBLING 1/4 UDV. QUICK COUPLING, 1/4"	SCHNELLKUPPLUNG RACCORD RAPIDE	1
37	06030827	NIPPEL QUICK-1/4" INDV. NIPPLE, 1/4"	RACCORD RAPIDE 1/4" INTER	1
38	06050841	SPULERØR LIGE, Ø13X1,5X586 LANCE STRAIGHT, Ø13X1,5X586	LANZE GERADE TURBO LASER LANCE DROITE TURBO LASER	1
39	06262139	ROTO JET DYSE KPL., 7.0 ROTO JET NOZZLE CPL., 7.0	GICLEUR ROTO CPL. 7.0	1
40	06262226	ROTO DYSE KIT 070 ROTO JET NOZZLE KIT, 7.0	KIT POUR GICLEUR ROTO 070	1
41	06260365	HANDGREB TIL ROT. BØRSTER OG ENKELT LANSERØR, HANDLE FOR ROTATING BRUSHES AND SINGLE	HANDGRIFF POIGNEE DE MAINTIEN LANCE	1



Pistol / Pistol / Pistole / Pistolet

G9P

Pos.	Ref. no.	Betegnelse Description	Bezeichnung Description	
0	06290111	PISTOL - EGT 2600 - LANG MED SWIVEL, LYNKOBLING PISTOL - EGT 2600 - LONG W. SWIVEL, QUICK COUP.	PISTOLET EGT2600 RAC.RAPI	1
0	06290121	O-RINGSKIT FOR PISTOL O-RING KIT FOR PISTOL	JOINT A LEVRE .P/290111	1
01	06290119	PISTOLKROP KPL. PISTOL HOUSING CPL.	CORPS PISTOLET 290111	1
02	06290120	AFTRÆKKER KIT PULLER KIT	KIT DETENTE P/PIST.290111	1
03	06290122	DREJELED, KPL. SWIVEL, CPL.	JOINT TOURN.P/PIST.290111	1
04	06290123	VENTIL KPL. VALVE CPL.	VANNE P/PISTOLET 290111	1
05	06290124	TILGANGSRØR INLET PIPE	TUYAU D'ENTREE P/290111	1
06	06290125	KAPPEKIT CAP KIT	PROTECTION P/290111	1
07	06290126	FORRØR FOR PISTOL FRONT PIPE FOR PISTOL	TUBE AVANT P/PISTOL.290111	1
08	06290127	AFSTANDSSTYKKE DISTANCE PIECE	ENTRETOISE P/PISTOL290111	1
09	06290128	MUFFE SOCKET	MANCHON P/PISTOL 290111	1
10	06290129	AFSTANDSSTYKKE DISTANCE PIECE	ENTRETOISE P/PISTOL290111	1
11	06290130	LYNKOBLING KPL. QUICK COUPLING CPL.	RACCORD RAPID.PIST.290111	1
12	06110200	HØJTRYKSSLANG DN10X10M HIGH PRESSURE HOSE, 3/8"X3/8" NIPPLE, Ø10 MM 10 M	HOCHDRUCKSCHLAUCH FLEXIB.HP 10M-DIAMETRE 10	1
12	06110475	HØJTRYKSSLANG DN8X10M HIGH PRESSURE HOSE, 3/8"X3/8" NIPPLE, Ø8 MM 10 M	HOCHDRUCKSCHLAUCH M. SCHRAUBENKUPPLUNGEN TUYAU H.P.SCHIF.AV.RAC.AEER A/RAC. A VIS	1
13	06260936	PAKINGSKIT F. SKRUEKOB. GASKET KIT FOR SCREW COUPLING	DICHTUNGSKIT F. SCHRAUBENKUPPLUNG KIT JOINT RACCORD VIS VIS	1

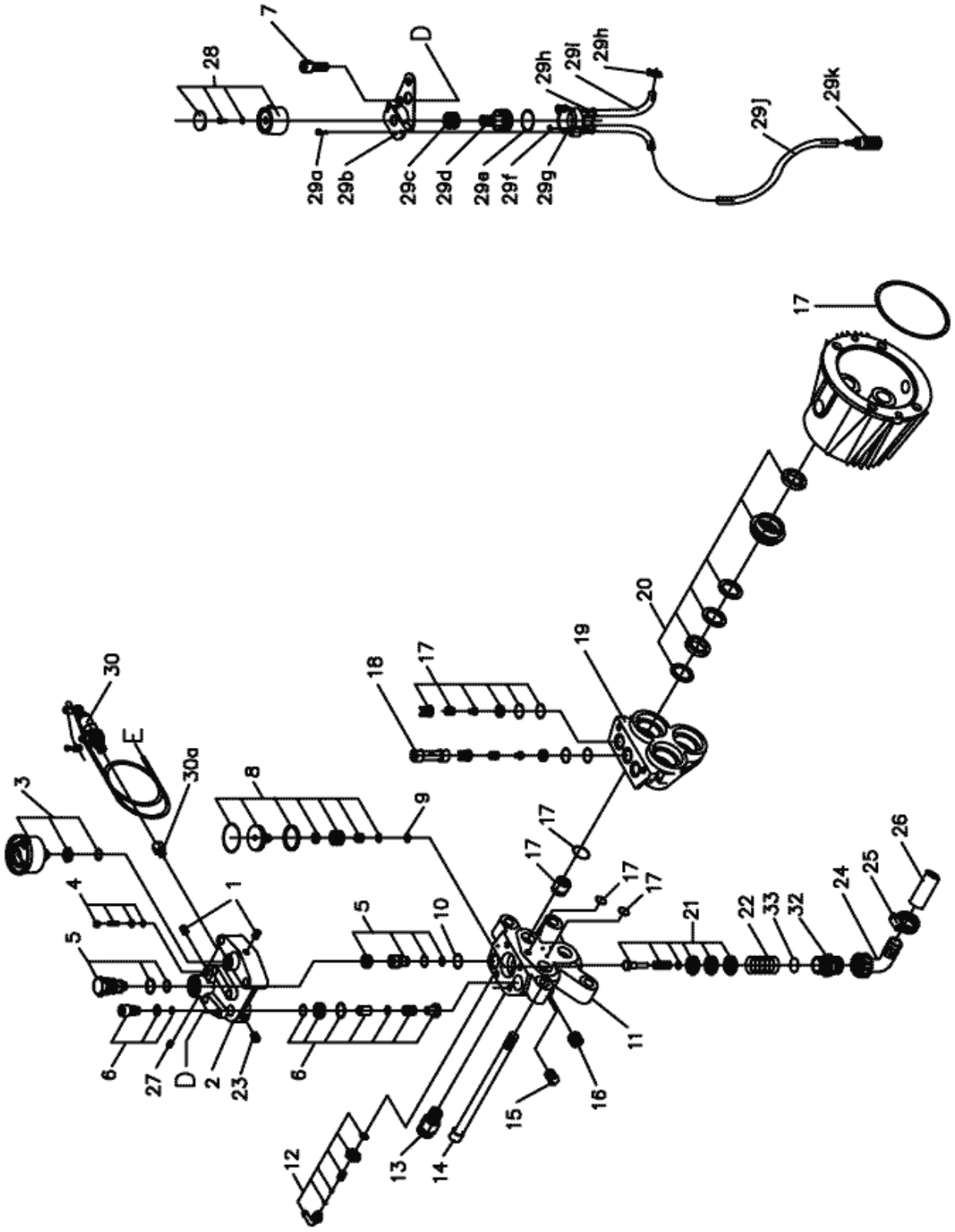


Ramme / Frame / Rahmen / Cadre

Pos.	Ref. no.	Betegnelse Description	Bezeichnung Description	G9P
03	06200020	DUPSKO, 8 CAP, 8	ZWINGE BOU	1
04	06070332	UNBRAKO BOLT, M8X80 ALLEN BOLT, M8X80	SCHRAUBE BOULON TETE CYLINDRIQUE	2
05	06080004	SPÆNDESKIVE, 8,4X17X1,6 TENSION DISC, 8,4X17X1,6	FEDERSCHEIBE, GALV. RONDELLE	4
06	06070287	SÆTSKRUE, M8X20 SET SCREW, M8X20	VIS D'ARRET, M8X20	2
07	06200142	AFSTANDSSTYKKE, Ø25 DISTANCE PIECE, Ø25	DISTANZSCHEIBE ENTRETOISE TYPE D	2
08	06080038	MØTRIK, M8 NUT, M8	SELBSTSCHLIESSENDE MUTTER, GALV. ECROU	4
09	06051073	STØTTEBEN SUPPORT FRONT	KIPPSTÄNDER BIPIED	1
10	06070085	SÆTSKRUE, M8X16 SET SCREW, M8X16	SETZSCHRAUBE, GALV. VIS D'ARRET, GALVANISEE	1
11	06200443			1
12	06070435	SKRUE, M6X16 SCREW, M6X16	TAP TITE P/K, GALV. VIS M6X16 2300/2500/2700	2
13	06130094	LUFTGUMMIHJUL, 12"X4" AIR RUBBER WHEEL, 12"X4"	LUFTGUMMIRAD ROUE CAOUTC. AIR 600P-PX	4
14	06120572	O-RING, 23.4X3.5 O-RING, 23.4X3.5	JOINT 23.4 X 3.5	4
15	06280200	LÅSESKIVE, Ø25 LOCK WASHER, Ø25	ENJOLIVEUR ROUE	4
16	06130222	HJUL, 25/65-275/70 WHEEL, 25/65-275/70	ROUE PLEINE DURE	4
21	06280214	HARNÅLESPLIT Ø2X43 HAIRPIN SPLIT	HAHNADELSPLINT CLAVETTE D'ARRET	1
22	06080008	SPÆNDESKIVE, 10X19X1,5 TENSION DISC, 10X19X1,5	FEDERSCHEIBE, GALV. RONDELLE DE SERRAGE GALVA	1
24	06061538	BESLAG FOR BREMSE BRACKET FOR BRAKE	BESCHLAG FÜR BREMSE SUPPORT DE FREIN	1
25	06200288	KUGLE, M10 Ø32 BALL, M10 Ø32	KUGEL, SCHWARZ BOULETTE(NTE) NTE)	1
26	06080016	SPÆNDESKIVE, 6 MM TENSION DISC, 6 MM	FEDERSCHEIBE, GALV. RONDELLE DE SERRAGE	10
27	06070888			8
28	06030851	RØRBÆRER Ø30 SORT HOSE CARRIER Ø30 BLACK	ROHRTRÄGER Ø30 SUPPROT DE TUYAU Ø30 NOIR	2
29	06061536	HOLDER FOR FILTER FILTER BRACKET	BESCHLAG FÜR FILTER SUPPORT DE FILTRE	1

Ramme / Frame / Rahmen / Cadre

Pos.	Ref. no.	Betegnelse Description	Bezeichnung Description	G9P
30	06080062	MØTRIK, M6 NUT, M6	SELBSTSCHLIESSENDE MUTTER, GALV. ECROU INDESSERRABLE LAITON	4
31	06110463	SLANGE, 3/4" X 275 HOSE, 3/4" X 275	DRUCKLUFTSCHLAUCH TUYAU D'ENTREE D'EAU G-66	1
32	06110471	SPÆNDEBÅND, 14-32 RETAINING RING, 14-32	SCHLAUCHSCHELLE HS12 FRETTE	2
33	06030681	VINKELSTUDS, 3/4" ANGLE SOCKET, 3/4"	WINKELSTUTZEN PLASTIK RACCORD EQUERRE PLASTIQUE	1
34	06180384	KONTRAMØTRIK, 3/4" COUNTER NUT, 3/4"	GEGENMUTTER CONTRE ECROU NV 32 X 8	2
35	06181517	NIPPEL, 3/4"-3/4" NIPPLE, 3/4"-3/4"	RACCORD, 3/4"-3/4"	2
36	06120442	O-RING, 25.0X3.0 O-RING, 25.0X3.0	O-RING JOINT TORIQUE	2
37	06100405	VANDFILTER KPL., 3/4" WATER FILTER CPL., 3/4"	BOCAL FILTRE D'EAU	1
38	06100406	FILTERINDSATS 100 MICRON N/A	PATRON DE FILTRE 100 MICR	1
40	06302140	TRANSFERS GERNI TRANSFERS GERNI ORANGE	KLEBSTREIFEN GERNI ORANG AUTOCOLLANT GERNI ORANGE	1
42	06070918	SKRUE SELVSKÆR. 4,2X13 SCREW 4,2X13	SCHRAUBE 4,2X13 VIC. 4,2X13	10

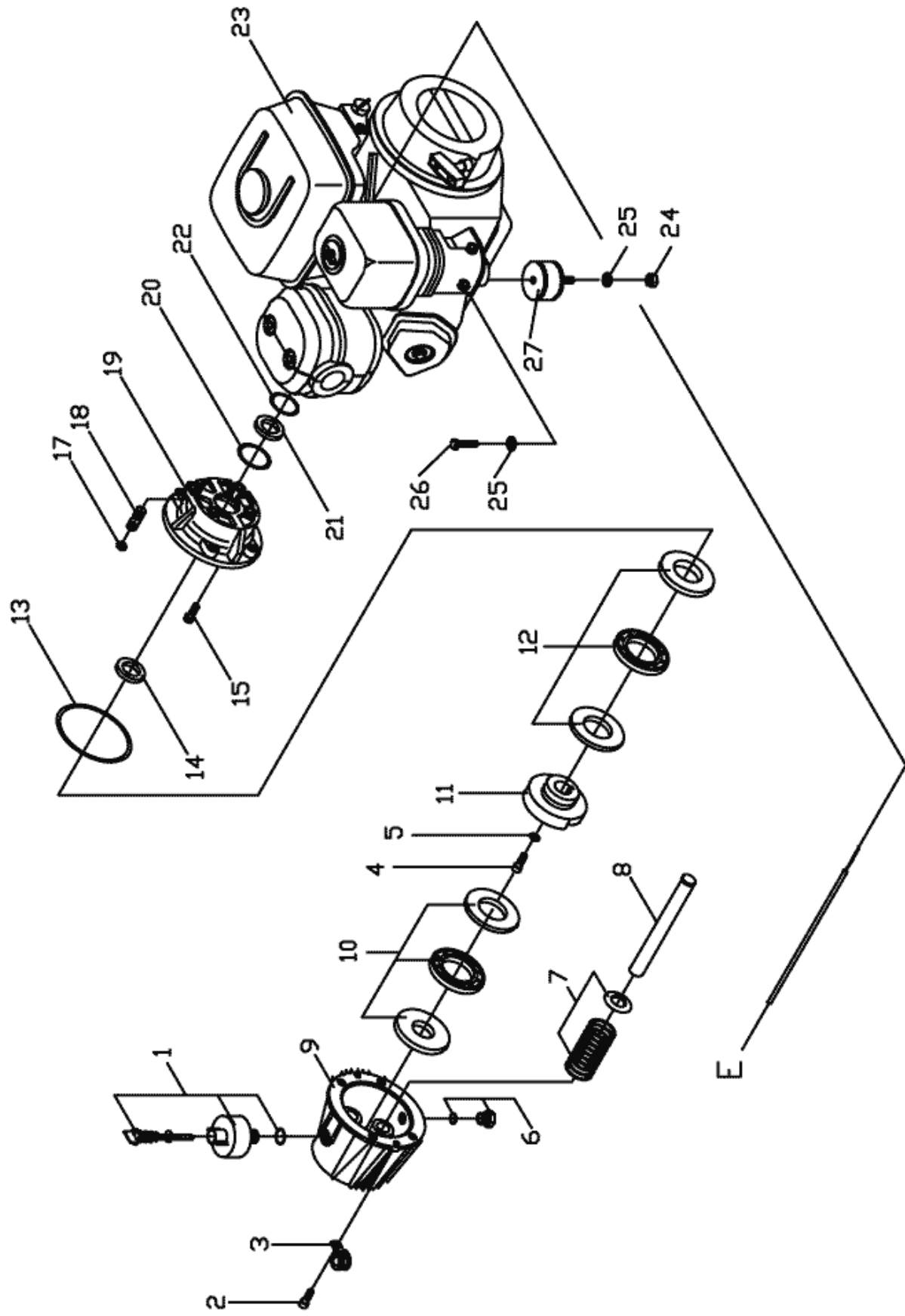


Pumpe / Pump / Pumpe / Pomp

Pos.	Ref. no.	Betegnelse Description	Bezeichnung Description	G9P
01	06030554	RØRPROP, 1/8" PLUG FOR PIPE, 1/8"	ROHRSTOPFEN RACCORD	2
02	06180755	TRYKMANIFOLD, 600 PRESSURE MANIFOLD , 600	DRUCKMANIFOLD COLLECTEUR PRESSION G 600	1
03	06220042	MANOMETER, 250 BAR PRESSURE GAUGE, 250/3600 BAR/PSI/E/TP	TURBO MANOMETER MANOMETRE	1
04	06261131	JUSTERSKRUE ADJUSTING SCREW	JUSTIERSCHRAUBE F. MANOMETERDRUCK VIS REGLAGE PRESS.OUVERT.N D"OUVERTURE	1
05	06261154	SERVICEKIT INJECTORDYSE, G6000 SERVICE KIT INJECTOR NOZZLE, G6000	SERVICEKIT INJEKTORDUESE KIT INJECTEUR DETERGENT D D"INJECTEUR	1
06	06260899	SIKKERHEDSVENTILKIT SAFETY VALVE KIT, G 600	SICHERHEITSVENTILKIT KIT VANNE BY PASS G-600-6-600	1
07	06070510	UNBRACO SKRUE, M10X40 ALLEN SCREW, M10X40	IMBUSSBOLZEN, GALV. BOULON G 600	6
08	06260900	OMLØBSVENTILKIT BY-PASS VALVE KIT	UMLAUFVENTILKIT KIT VANNE BY-PASS G600	1
09	06080188	FORMINDSKERSKIVE, 12X5X0,5 REDUCER DISC, 12X5X0,5	REDUZIERSCHEIBE, ROSTFREI RONDELLE	1
11	06180749	PUMPEHOVED, G600 PUMP HEAD, G600	PUMPENKOPF CULASSE G 600	1
12	06260902	KUGLEKONTRAVENTILKIT NON-RETURN BALL VALVE KIT	KUGELRUECKSCHLAGVENTIL KIT VANNE ANTI-RETOUR G 6 BILLE	1
13	06180441	SKRUEKOBLING HAN, 22X35 SCREW COUPLING MALE, 22X35	SCHRAUBENKUPPLUNG MAENNLICH RACCORD SORTIE HP	1
14	06070492	UNBRACO SKRUE, M12X200 ALLEN SCREW, M12X200	IMBUSSBOLZEN BOULON 12X200 G 600	4
15	06030642	RØRPROP, 3/8" PLUG FOR PIPE, 3/8"	ROHRPFROPFEN BOUCHON DE TUBE	1
16	06030472	PROP MESSING, 1/4" BRASS PLUG, 1/4"	PFROPFEN MESSING BOUCHON	1
17	06260894	VENTILKIT VALVE KIT	VENTILKIT KIT POMPE A EAU CLAPET G-WER	1
18	06180753	AFSTANDSSTYKKE, Ø16X55 DISTANCE PIECE, Ø16X55	ZWISCHENSTUECK ENTRETOISE G 600	1
19	06180750	CYLINDERSTYKKE CYLINDER PIECE	ZYLINDERSTUECK CULASSE G 600	1
20	06261444	MANCHET KIT FOR KERAMIKSTEMPEL CUP KIT FOR CERAMIC PISTON	KIT F. MANSCHETTE G-660/5000 KIT POMPE A EAU COUPELLES000	1
21	06261005	KONTRAVENTILKIT, G-600 NON-RETURN VALVE KIT, G-600	RUECKSCHLAGVENTILKIT KIT VANNE ANTI RETOURG-60G-600	1
22	06280115	FJEDER, 2X23.75X40X4 SPRING, 2X23.75X40X4	FEDER RESSORT	1
23	06180998	RØRPROP, 1/8" PLUG FOR PIPE, 1/8"	ROHRPFROPFEN BOUCHON DE TUBENE EXTERIENE EXTERIEUR	1

Pumpe / Pump / Pumpe / Pomp

Pos.	Ref. no.	Betegnelse Description	Bezeichnung Description	G9P
24	06030681	VINKELSTUDS, 3/4" ANGLE SOCKET, 3/4"	WINKELSTUTZEN PLASTIK RACCORD EQUERRE PLASTIQUE	1
25	06110471	SPÆNDEBÅND, 14-32 RETAINING RING, 14-32	SCHLAUCHSCHELLE HS12 FRETTE	1
26	06110463	SLANGE, 3/4" X 275 HOSE, 3/4" X 275	DRUCKLUFTSCHLAUCH TUYAU D'ENTREE D'EAU G-66	1
27	06070456	UNBRACO PINOLSKRUE, M6X6 ALLEN POINTED SCREW, M6X6	IMBUSS-REITSTOCKSCHRAUBE ROSTFREI VIS INOX INOX	1
29	06261183	KEMIKIT, G600P DETERGENT KIT, G600P	REINIGUNGSMITTELKIT KIT DETERGENT G-600P	1
29A	06070752	SELYSKÆRENDE SKRUE, 3.5X13 SELF-TAPPING SCREW, 3.5X13	SCHNEIDSCHRAUBE, SCHWARZZINK VIS DE COUPE	2
29E	06120051	O-RING, 25.3X2,4 O-RING, 25.3X2,4	O-RING JOINT TORIQUE	1
29F	06120023	O-RING, 5X1,5 O-RING, 5X1,5	O-RING JOINT TORIQ.MAT 4470 5X1,	1
29H	06110487	SPÆNDEBÅND, Ø12,0 - Ø14,0 RETAINING RING, Ø12,0 - Ø14,0	SCHLAUCHSCHELLE ANNEAU	3
29I	06110449	KEMISLANGE, 1/4"X250 DETERGENT HOSE, 1/4"X250	REINIGUNGSMITTELSCHLAUCH TUYAU DE DETERGENT	1
29J	06110490	KEMISLANGE, 1/4"X2000 MM DETERGENT HOSE, 1/4"X2000 MM	REINIGUNGSMITTELSCHLAUCH TUYAU DE DETERGENT	1
29K	06100316	FILTER FOR KEMI DETERGENT FILTER	REINIGUNGSMITTELFILTER ASPIRATION DETERGENT	1
30	06211608	TOMGANGSREGULERING, 600P IDEL RUNNING REGULATION, 600P	LEERLAUFREGULIERUNG REGLAGE DU RALENTI G-600P	1
30A	06030767	REDUKTIONSNIPPEL, 1/4"-1/8" REDUCING NIPPLE, 1/4"-1/8"	REDUKTIONSNIPPEL RACCORD DE REGLAGE DE	1
32	06181598			1
33	06120158	O-RING, 24X2 O-RING, 24X2	O-RING F.WASSERFILTER JOINT TORIQUE	1



Motor / Motor / Motor / Moteur

G9P

Pos.	Ref. no.	Bezeichnung Description	Bezeichnung Description
0	06261284	KIT FOR PUMPE, 617/6000 KIT FOR PUMP, 617/6000	KIT F. PUMPE G-617+P+ST/G-6000 KIT POMPE A EAU G600/6000T G-6000
0	06261445	O-RINGSKIT FOR PUMPE, 600/660/5/6000 O-RING KIT FOR PUMP, 600/660/5/6000	KIT O-RINGE F. PUMPE KIT JOINT TORIQUE P.POMPEPOMPE
0	06360176	PUMPE KPL., G600P PUMP CPL., G600P	PUMPE G-600 KPL. M. FLANSCH G-600 POMPE CPL. AVEC BRIDE
01	06261132	OLIEGLASKIT, JET/G135/G600 OIL GLASS KIT, JET/G135/G600	OELGLASKIT JET/G-135/G-600 VERRE D'HUILE JET/135/600-600
02	06070455	UNBRACO SKRUE, M8X25 ALLEN SCREW, M8X25	IMBUSSBOLZEN, GALV. BOULON GALV. GALV.
03	06080200	KABELHOLDER, 1/4" CABLE HOLDER, 1/4"	KABELHALTER - SIEHE 080182 SUPPORT DE CABLE - VOIR 080182
04	06070836	UNBRACO SKRUE, M8X20 ALLEN SCREW, M8X20	IMBUSS VIS A TETE CYLINDRIQUE
05	06080008	SPÄNDESKIVE, 10X19X1,5 TENSION DISC, 10X19X1,5	FEDERSCHHEIBE, GALV. RONDELLE DE SERRAGE GALVA
06	06260959	OLIEFTAPNINGSPROP KPL., G100/G2000 DRAIN PLUG CPL., G100/G2000	OELABZAPFSTOPFEN, KPL. BOUCHON
07	06261037	FJEDERKIT SPRING KIT	FEDERKIT KIT RESSORT G600(3 PIECES)
08	06261430	STEMPELKIT, KERAMIK 1 STK. PISTON KIT, CERAMIC 1 PCS.	KIT F. KOLBEN KPL. G-660/5000 KIT PISTONS (NOUVEAU) G-60/5000
09	06180757	STEMPELSTYR, 600 PISTON GUIDE, 600	KOLBENFUHRUNG GUIDE PISTON G 600
10	06260897	TRYKLEJEKIT PRESSURE BEARING KIT, G600	DRUCKLAGERKIT KIT ROULEMENT G 600-600/A-600/AL-POWER
11	06180933	SKRÅSKIVE, 7,11 CAM DISC, 7,11	BOGENSCHHEIBE DISQUE INCLINE G-600P
12	06260898	SKRÅKIVELEJEKIT CAM DISC BEARING KIT	BOGENSCHHEIBELAGERKIT KIT ROULEMENT DISQUE G 60C. G600/ALPOWER
13	06120310	O-RING, 117X3 O-RING, 117X3	O-RING JOINT TORIQUE G 600
14	06120376	SIMMERRING SEALING RING	OELDICHTUNGSRING ANNEAU SIMMER
14 -	06261593	MOTORFLANGE, KPL. MOTOR FLANGE, CPL.	KIT F. MOTORFLANSCH BRIDE DE MOTEUR COMPLET60600P
15	06070821	SKRUE, 8X25 SCREW, 8X25	BOLZEN BOULON
17	06080199	FLANGEMØTRIK, M8 FLANGED NUT, M8	FLANSCHENMUTTER, HONDA ECROU A BRIDE
18	06070748	UNBRACO PINOLSKRUE, M 8X40 ALLEN POINTED SCREW, M 8X40	IMBUSSREITSTOCKSCHRAUBE VIS PIVOT A TETE CYLINDRIQUE
19	06180920	MOTORFLANGE MOTOR FLANGE	MOTORFLANSCH BRIDE DE MOTEUR

Motor / Motor / Motor / Moteur

G9P

Pos.	Ref. no.	Betegnelse Description	Bezeichnung Description	
20	06120027	O-RING, 46.04X3,53 O-RING, 46.04X3,53	O-RING OELGLAS JOINT TORIQUE VERRE D'HUILE	1
21	06180923	AFSTANDSRING DISTANCE RING	DISTANZRING ANNEAU INTERMEDIAIRE	1
22	06120051	O-RING, 25.3X2,4 O-RING, 25.3X2,4	O-RING JOINT TORIQUE	1
23	06351023	HONDA BENZINMOTOR, 13 HK GX 390LX HONDA PETROL MOTOR, 13 HK GX 390LX	HONDA MOTEUR ESSENCE, 13 HK GX 390LX	1
25	06080008	SP/ENDESKIVE, 10X19X1,5 TENSION DISC, 10X19X1,5	FEDERSCHEIBE, GALV. RONDELLE DE SERRAGE GALVA	2
26	06070894	S/ÆTSKRUE GALV. M10X35 SCREW, M10X35	VIS, M10X35	2
27	06080269	SVINGNINGSDÆMPER, 50-30-2 M10X20 VIBRATION DAMPER, 50-30-2 M10X20	AMORTISSEUR DE VIBRATION, 50-30-2 M10X20	2