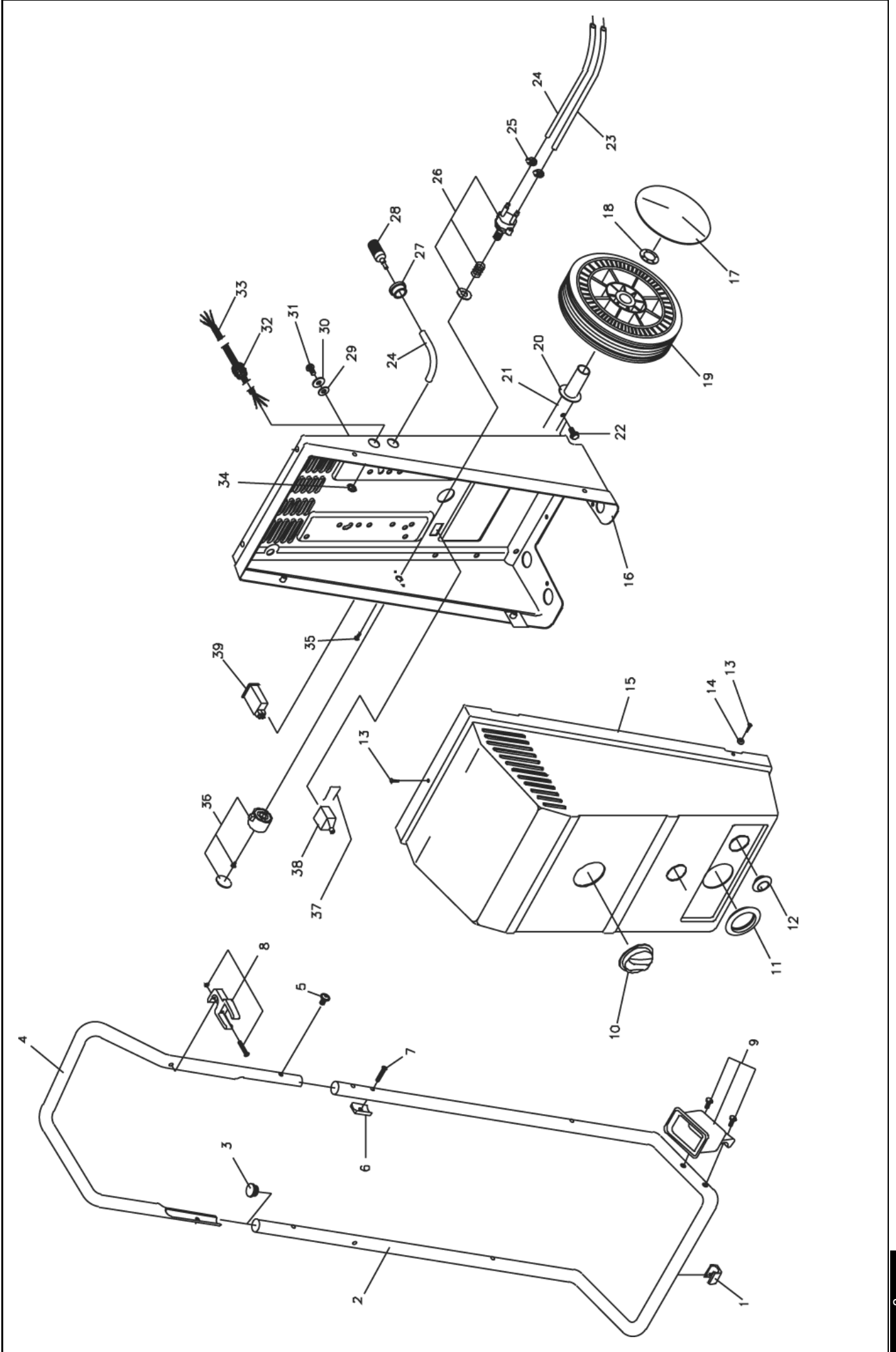

N/G - 642/662/692

Reservedelsliste
Spare parts list
Ersatzteilliste
Liste de pièces détachées

Karosse 642/662/692 / Body 642/662/692 / Karosserie 642/662/692 / Carrosserie 642/662/692 . . .	2
Pumpe / Pump / Pumpe / Pomp	6
Motor 642/662/692 / Motor 642/662/692 / Motor 642/662/692 / Moteur 642/662/692	10
EI-komponenter 642/662/692 / Electric components 642/662/692 / Elektrische komponente 642/662	13
Pistol / Pistol / Pistole / Pistolet	15
Spulerør / Lances / Lanzen / Lance	17



Karosserie 642/662/692 / Body 642/662/692 / Karosserie 642/662/692 / Carrosserie 642/662/692

Pos.	Ref. no.	Betegnelse Description	Bezeichnung Description	642 A	662 A	692 A
0	06301199	TRANSFERS FOR KEMIVENTIL, G600P/660 TRANSFERS FOR DETERGENT VALVE, G600P/660	KLEBSTREIFEN F. REINIGUNGSMITTELVENTIL AUTOCOLLANT POUR VANNE DE DETERGENT	1	1	1
0	06301922	TRANSFERS GERNI TRANSFERS GERNI	KLEBSTREIFEN GERNI AUTOCOLLANT GERNI	1	1	1
0	06301991	TRANSFERS G662A TRANSFERS G662A	TRANSFERS G662A TRANSFERS G662A	1	1	1
0	06301992	TRANSFERS N662A TRANSFERS N662A	TRANSFERS N662A TRANSFERS N662A	1	1	1
0	06302006	TRANSFERS G642A TRANSFERS G642A	KLEBSTREIFEN G642A AUTOCOLLANT G642A	1		
0	06302007	TRANSFERS G692A TRANSFERS G692A	KLEBSTREIFEN G692A AUTOCOLLANT, G692A		1	
0	06302008	TRANSFERS N642A TRANSFERS N642A	KLEBSTREIFEN N642A AUTOCOLLANT, N642A	1		
0	06302009	TRANSFERS N692A TRANSFERS N692A	KLEBSTREIFEN N692A AUTOCOLLANT, N692A		1	
0	06302036	TRANSFERS START/STOP , 0-1-AUTO TRANSFERS START/STOP , 0-1-AUTO	KLEBSTREIFEN 1-0-AUT AUTOCOLLANTS MISE EN MARCHÉ/ARRET , 0-1-AUTO	1	1	1
01	06200230	AFSTANDSSTYKKE	SOCKEL F/KIPPSTAEANDER SCHWARZ G-175 BOUT G-175	1	1	1
02	06051053	STØTTEBEN SUPPORTING LEG	BIPIED	1	1	1
03	06200064	DUPSKO, 25 CAP, 25	KAPPE BOUT	2	2	2
04	06050886	KØREHANDTAG, Ø25X21124 OPERATION HANDLE, Ø25X21124	FAHRHANDGRIFF POIGNEE G 640 - 660 - 690	1	1	1
05	06070287	SÆTSKRUE, M8X20 SET SCREW, M8X20	VIS D'ARRET, M8X20	2	2	2
06	06200204	AFSTANDSKLODS SPACER BLOCK	STUELZE BLOC INTERMEDIAIRE	4	4	4
07	06070386	SKRUE, 6X40 SCREW, 6X40	SCHRAUBE S/K VIS T/R	4	4	4
08	06261765	HOLDER FOR PISTOL KPL. HOLDER FOR PISTOL	HALTER F. LANZE SUPPORT DE LANCE	1	1	1
09	06261766	HOLDER FOR SPULERØR HOLDER FOR LANCE	HALTER F. LANZE SUPPORT DE LANCE	1	1	1
10	06200538	START/STOP KONTAKT START/STOP SWITCH	CONTACTEUR MISE EN MARCHÉ	1	1	1
11	06120346	GUMMIMANCHE, Ø50 RUBBER SLEEVE, Ø50	GUMMIMANCHE F. MANOMETER JOINT POUR MANOMETRE MANO MANOMETRE	1	1	1
12	06200363	AFDEKNINGSSKIVE COVERING DISC	ABDECKSCHEIBE F. WASSERAUSLASS DISQUE DE COUVERTURE P. DEPART D'EAU	1	1	1
13	06070874	SKRUE, 4,2X13 HFC 198 SCREW, 4,2X13 HFC 198	VIS, 4,2X13 HFC 198	3	3	3

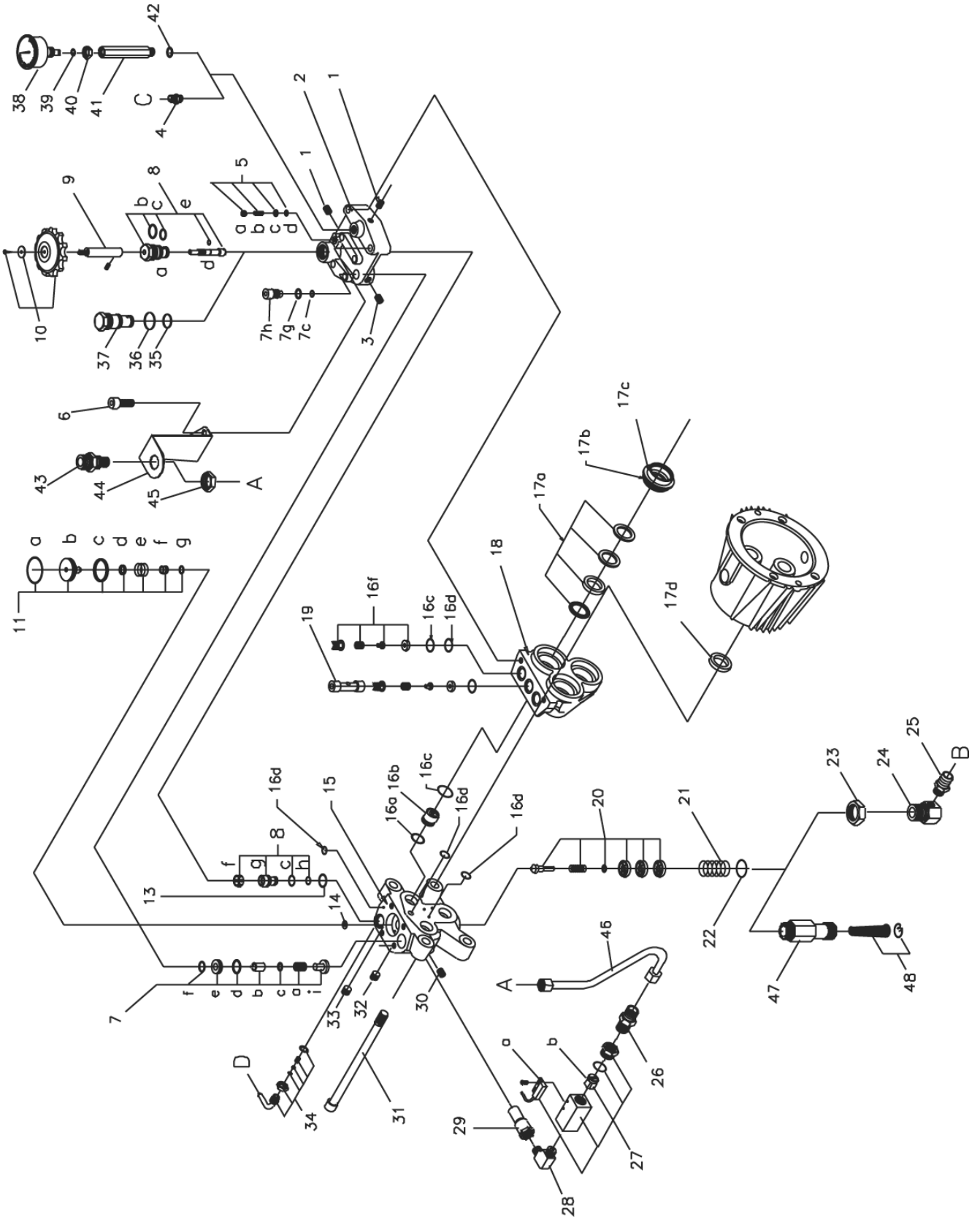
Karosserie 642/662/692 / Body 642/662/692 / Karosserie 642/662/692 / Carrosserie 642/662/692

Pos.	Ref. no.	Bezeichnung Description	642 A	662 A	692 A
14	06080261		2	2	2
15	06240295	KAROSSE GRØN, G602 BODY GREEN, G602	1	1	1
15	06240296	KAROSSE GRÅ, N602 BODY GREY, N602	1	1	1
16	06211632	BUNDRAMME, KPL, G 3/4/660 BOTTOM FRAME, CPL., G 3/4/660	1	1	1
17	06130224	NAVKAPSEL GRØN, RAL 6005 HUB CAP GREEN, RAL 6005	2	2	2
17	06130225	NAVKAPSEL BLÅ, RAL 5013 HUB CAP BLUE, RAL 5013	2	2	2
18	06080136	LÅSESKIVE U/KAPPE, Ø25 MM LOCK WASHER WITHOUT CAP, Ø25 MM	2	2	2
19	06130223	HJUL, 25/47,5-250/65 WHEEL, 25/47,5-250/65	2	2	2
20	06080075	SPÆNDESKIVE, 45X25,5X1,5 TENSION DISC, 45X25,5X1,5	2	2	2
21	06050887	HJULAKSEL, Ø25X2442 WHEEL AXLE, Ø25X2442	1	1	1
22	06070394	SKRUE, 8X16 SCREW, 8X16	2	2	2
23	06110559	OLIESLANGE TILGANG G4000, 1/4"X500 FUELHOSE INLET G4000, 1/4"X500	1	1	1
24	06110423	KEMISLANGE, 1/4" X 1450 MM DETERGENT HOSE, 1/4" X 1450 MM	1	1	1
25	06110494	SPÆNDEBAND, 10-12 RETAINING RING, 10-12	3	3	3
26	06211201	PLASTVENTIL KOMPLET PLASTIC DETERGENT VALVE CPL.	1	1	1
27	06120380	STOPRING FOR KEMI, Ø30X11 STOP RING FOR DETERGENT, Ø30X11	1	1	1
28	06100316	FILTER FOR KEMI DETERGENT FILTER	1	1	1
29	06080214	GUMMISKIVE, Ø20XØ8X1,5 RUBBER DISC, Ø20XØ8X1,5	4	4	4
30	06080221	SPÆNDESKIVE, M8 TENSION DISC, M8	4	4	4
31	06070794	TAP TITE, M8X16 TAP TITE, M8X16	4	4	4
32	06161065	KABELAFLASTNING, M20 CABLE RELIEF, M20	1	1	1
33	06160708	TILGANGSKABEL GUMMI, 4X1,5X10000 INLET CABLE RUBBER, 4X1,5X10000	1	1	1

Karosse 642/662/692 / Body 642/662/692 / Karosserie 642/662/692 / Carrosserie 642/662/692

Pos.	Ref. no.	Betegnelse Description	Bezeichnung Description	642 A	662 A	692 A
33	06160709	TILGANGSKABEL GUMMI, 4X2,5X10000 INLET CABLE RUBBER, 4X2,5X10000	HAUPTKABEL GUMMI CABLE PRINCIPAL EN CAOUTCHOUC	1	1	1
34	06161066	MØTRIK, M20 NUT, M20	ECROU, M20	1	1	1
35	06070772	SKRUE, 3,5X20 SCREW, 3,5X20	SCHRAUBE VIS 3,5X20	2	2	2
36	06261769	PLASTKNAPKIT BUTTON KIT, PLASTIC	KIT F. PLASTIK KNOPF KIT POUR BOUTON EN	1	1	1
37	06280201	LASEBØJLE LOCK FITTINGS	GARNITURE DE SERRURE	1	1	1
37-39	06262329	TIMETÆLLER KIT, 401/600 HOUR METRE KIT, 401/600	COMPTER HORAIRE KIT, 401/600	1	1	1
38	06200557	BESKYTTELSESHÆTTE PROTECTION CAP	MANCHON P/ENROULEUR	1	1	1
39	06220055	TIMETÆLLER, 230V HOUR METRE, 230V	COMPTER HORAIRE, 230V	1	1	1

Pumpe / Pump / Pompe / Pomp



Pumpe / Pump / Pumpe / Pomp

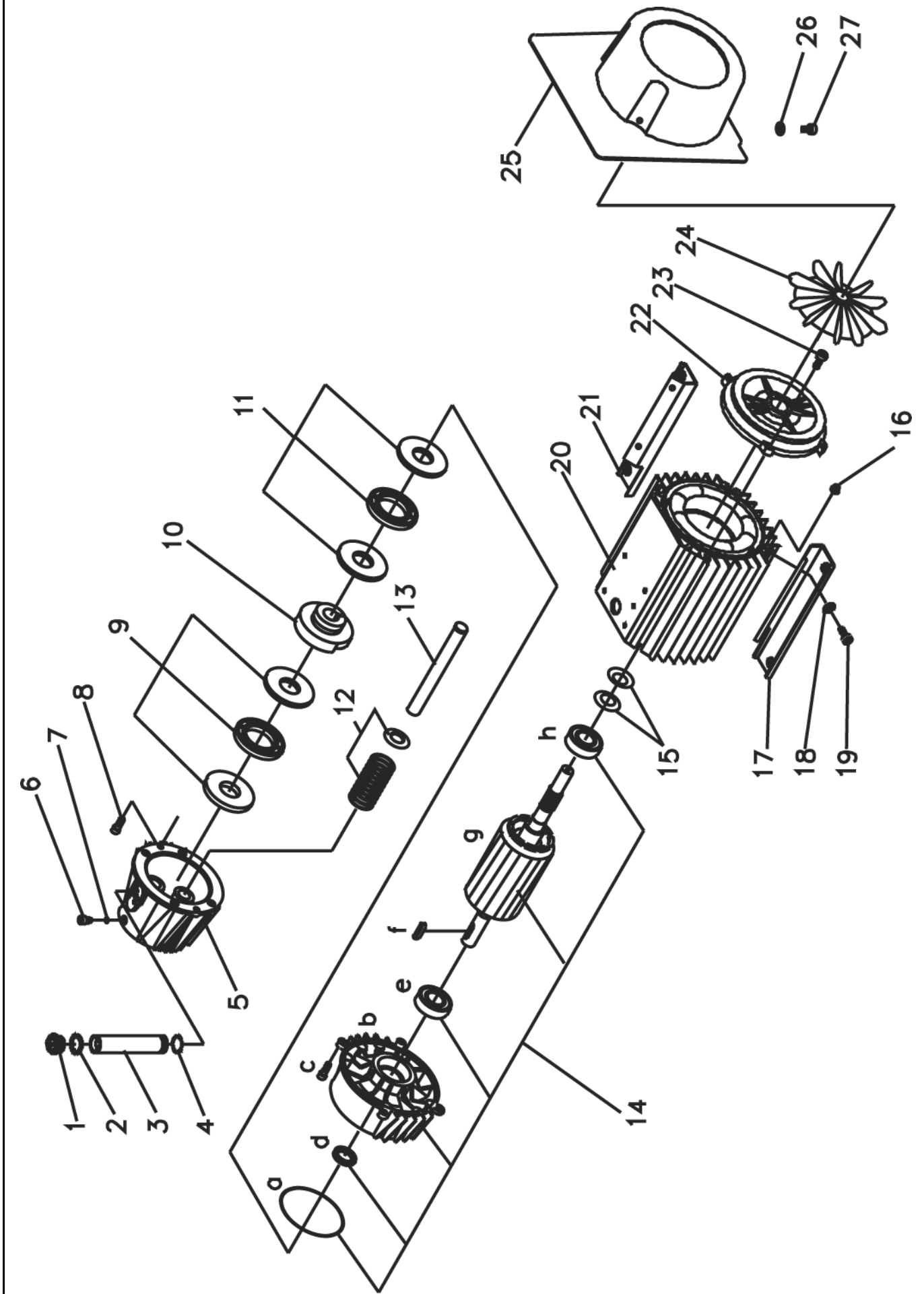
Pos.	Ref. no.	Betegnelse Description	Bezeichnung Description	642 A	662 A	692 A
0	06261445	O-RINGSKIT FOR PUMPE, 600/660/5/6000 O-RING KIT FOR PUMP, 600/660/5/6000	KIT O-RINGE F. PUMPE KIT JOINT TORIQUE P.POMPEPOMPE	1	1	1
0	06262255	TOPSTYKKE KOMPLET CYLINDER HEAD, CPL., 640	CULASSE DE CYLINDRE, CPL., 640	1		
0	06262256	TOPSTYKKE, KPL., 660 CYLINDER HEAD, CPL., 660	CULASSE DE CYLINDRE, CPL., 660	1		
0	06262257	TOPSTYKKE, KPL., G690 CYLINDER HEAD, CPL., G690	CULASSE DE CYLINDRE, CPL., G690			1
0	06262390	TOPSTYKKE, KPL., 660 CYLINDER HEAD, CPL., 660	CULASSE DE CYLINDRE, CPL., 660	1		
01	06030554	RØRPROP, 1/8" PLUG FOR PIPE, 1/8"	ROHRSTOPFEN RACCORDE	3	3	3
02	06180755	TRYKMANIFOLD, 600 PRESSURE MANIFOLD, 600	DRUCKMANIFOLD COLLECTEUR PRESSION G 600	1	1	1
03	06180998	RØRPROP, 1/8" PLUG FOR PIPE, 1/8"	ROHRPFROPFEN BOUCHON DE TUBENE EXTERIENE EXTERIEUR	1	1	1
04	06030740	BRYSTNIPPEL, 1/4 BREAST NIPPLE, 1/4"ØKRG X ?4	BRUSTNIPPEL EV 68F RACCORDE A VIS	1	1	1
05	06261131	JUSTERSKRUE ADJUSTING SCREW	JUSTIERSCHRAUBE F. MANOMETERDRUCK VIS REGLAGE PRESS.OUVERT.N D"OUVERTURE	1	1	1
05A	06080057	MØTRIK, M5 NUT, M5	MUTTER MESS ECROU LAITON	1	1	1
05B	06070138	UNBRACO PINOLSKRUE, M5X16 ALLEN POINTED SCREW, M5X16	IMBUSSREITSTOCKSCHRAUBE, ROSTFREI VIS PIVOTQUE, INOX QUE, INOX	1	1	1
05C	06080022	SPÆNDESKIVE, M5 TENSION DISC, M5	FEDERSKEIBE MESSING RONDELLE DE SERRAGE LAITO	2	2	2
06	06070510	UNBRACO SKRUE, M10X40 ALLEN SCREW, M10X40	IMBUSSBOLZEN, GALV. BOULON G 600	6	6	6
07	06260899	SIKKERHEDSVENTILKIT SAFETY VALVE KIT, G 600	SICHERHEITSVENTILKIT KIT VANNE BY PASS G-600-6-600	1	1	1
07	06261006	SIKKERHEDSVENTILKIT SAFETY VALVE KIT	SICHERHEITSVENTILKIT KIT VANNE SECURITE	1		
08	06261083	KIT VANDMENGDEREGULERING KIT FOR WATER REGULATION	KIT F. WASSERREG. NACH 01.10.89 KIT REGULATEUR DEBIT D'EAU APRES 01'1089	1		
08	06261431	SERVICEKIT INJECTORDYSE, G640 SERVICE KIT INJECTOR NOZZLE, G640	KIT F. INJEKTORDYSE KIT POUR GICLEURR G-640 R G-640	1		
08	06261951	SERVICEKIT INJECTORDYSE SERVICE KIT INJECTOR NOZZLE	SERVICEKIT F. INJEKTORDYSE KIT GICLEUR INJECTEUR			1
09	06181080	SPINDELFORLÆNGER, Ø13X81 SPINDLE EXTENSION, Ø13X81	SPINDELVERLÆNGERER RALLONGE	1	1	
10	06260978	REGULERINGSHÅNDTAGSKIT REGULATION HANDLE KIT	KIT F. REGULERINGSHANDGRIFF KIT REGULATEUR 1/4-3,5 G	1	1	
11	06260900	OMLØBSVENTILKIT BY-PASS VALVE KIT	UMLAUFVENTILKIT KIT VANNE BY-PASS G600			1

Pumpe / Pump / Pumpe / Pompe

Pos.	Ref. no.	Betegnelse Description	Bezeichnung Description	642 A	662 A	692 A
11	06261901	OMLØBSVENTILKIT BY-PASS VALVE KIT	UMLAUFVENTILKIT KIT VANNE BY PASS	1		
11	06261902	OMLØBSVENTILKIT BY-PASS VALVE KIT	UMLAUFVENTILKIT KIT VANNE BY BASS			1
13	06120415	O-RING, 17.17X1.78 O-RING, 17.17X1.78	O-RING JOINT TORIQUE	1	1	1
14	06080188	FORMINDSKERSKIVE, 12X5X0.5 REDUCER DISC, 12X5X0.5	REDUZIERSCHEIBE, ROSTFREI RONDELLE		1	
14	06080218	FORMINDSKERSKIVE, Ø12XØ3,0X0.5 REDUCER DISC, Ø12XØ3,0X0.5	VERKLEINERUNGSSCHEIBE RONDELLE			1
15	06180749	PUMPEHOVED, G600 PUMP HEAD, G600	PUMPENKOPF CULASSE G 600	1	1	1
16	06260894	VENTILKIT VALVE KIT	VENTILKIT KIT POMPE A EAU CLAPET G-WER	1	1	1
16-17	06261284	KIT FOR PUMPE, 617/6000 KIT FOR PUMP, 617/6000	KIT F. PUMPE G-617+P+ST/G-6000 KIT POMPE A EAU G600/6000T G-6000	1		
16-17	06261446	KIT FOR PUMPE, 660/5000 KIT FOR PUMP, 660/5000	KIT F. PUMPE G-660/5000 KIT POMPE A EAU (NOUVEAU)		1	1
17	06260895	MANCHETKIT CUP KIT FOR STEEL PISTON, G617/620/640	MANCHETTKIT F. G-617/620/640 KIT COUPELLES G 6000/640 0/640	1		
17	06261444	MANCHET KIT FOR KERAMIKSTEMPEL CUP KIT FOR CERAMIC PISTON	KIT F. MANSCHEITTE G-660/5000 KIT POMPE A EAU COUPELLES000		1	1
18	06180750	CYLINDERSTYKKE CYLINDER PIECE	ZYLINDERSTUECK CULASSE G 600	1	1	1
19	06180753	AFSTANDSSTYKKE, Ø16X55 DISTANCE PIECE, Ø16X55	ZWISCHENSTUECK ENTRETOISE G 600	1	1	1
20	06261005	KONTRAVENTILKIT, G-600 NON-RETURN VALVE KIT, G-600	RUECKSCHLAGVENTILKIT KIT VANNE ANTI RETOURG-60G-600	1	1	1
21	06280115	FJEDER, 2X23.75X40X4 SPRING, 2X23.75X40X4	FEDER RESSORT	1	1	1
26	06030037	HYDRAULIKFORSKR. 3/8"-10/12 HYDRAULIC SCREWED CONNECTION, 3/8"-10/12	HYDRAULIKVERSCHRAUBUNG JOINT HYDRAULIQUE	1	1	1
27	06261447	KIT FOR FLOWSWITCH KIT FOR FLOW SWITCH	KIT STROEMUNGSWAECHTER KIT FLOW SWITCH 660/690		1	1
27	06261895	FLOWSWITCH KPL., 640 FLOW SWITCH CPL., 640	KIT F. FLOW SWITCH KIT FLOW SWITCH 640	1		
27A	06170182	FØLER FOR FLOWSWITCH REED-SWITCH	REED-SCHALTER REED CONTACTEUR	1		
27B	06262298	FLOWSTEMPEL M/MAGNET, 640 FLOW PISTON, 640	PISTON DE FLOW, 640	1		
27B	06262433	FLOWSTEMPEL M.MAGNET			1	1
28	06030727	VINKELNIPPEL, 3/8"X3/8" ANGLE NIPPLE, 3/8"X3/8"	WINKELNIPPEL 285B COUDE 90 DEGRES SORTIE HP	1	1	1

Pumpe / Pump / Pumpe / Pomp

Pos.	Ref. no.	Betegnelse Description	Bezeichnung Description	642 A	662 A	692 A
29	06180970	AFSTANDSSTYKKE F. TOPSTYK DISTANCE NIPPLE, 22X55	DISTANZNIPPEL RACCORD SORTIE POMPE HP	1	1	1
30	06030472	PROP MESSING, 1/4" BRASS PLUG, 1/4"	PFROPFEN MESSING BOUCHON	1	1	1
31	06070492	UNBRACO SKRUE, M12X200 ALLEN SCREW, M12X200	IMBUSSBOLZEN BOULON 12X200 G 600	4	4	4
32	06030642	RØRPROP, 3/8" PLUG FOR PIPE, 3/8"	ROHRPFROPFEN BOUCHON DE TUBE	1	1	1
33	06030661	RØRPROP, 1/8" PLUG FOR PIPE, 1/8"	ROHRSTOPFEN BOUCHON	1	1	1
34	06260902	KUGLEKONTRAVENTILKIT NON-RETURN BALL VALVE KIT	KUGELRUECKSCHLAGVENTIL KIT VANNE ANTI-RETOUR G 6 BILLE	1	1	1
35	06120182	O-RING, 16X2 O-RING, 16X2	O-RING JOINT TORIQUE	1		1
36	06120270	O-RING, 15.6X1,78 O-RING, 15.6X1,78	O-RING JOINT TORIQUE	1		1
38	06220056	MANOMETER, BAR/PSI PRESSURE GAUGE, BAR/PSI	MANOMETRE G412A-452A-482A	1	1	1
39	06120309	O-RING, 4,47X1,78 O-RING, 4,47X1,78	O-RING JOINT TORIQUE	1	1	1
40	06080246	MØTRIK FOR MANOMETER, 1/8 NUT F. PRESSURE GAUGE, 1/8	ECROU POUR MANOMETRE, 1/8	1	1	1
41	06181547	MANOMETERSTUDS, 4102/4502 PRESSURE GAUGE SOCKET, 4102/4502	RACCORD MANOMETRE 4102/45	1	1	1
42	06120267	O-RING, Ø10,82X1,78 O-RING, Ø10,82X1,78	O-RING JOINT	1	1	1
43	06180468	AFGANGSSTUDS, 24X52 OUTLET SOCKET, 24X52	AUSLASSSTUTZEN RACCORD DE SORTIE NV 27 X	1	1	1
44	06061508			1	1	1
46	06262434	AFGANGSRØR G642/662/692		1	1	1
47	06181599			1	1	1
48	06260825	VANDFILTERKIT, G-100 WATER FILTER KIT, G-100	WASSERFILTERKIT FILTRE EAU G 100	1	1	1

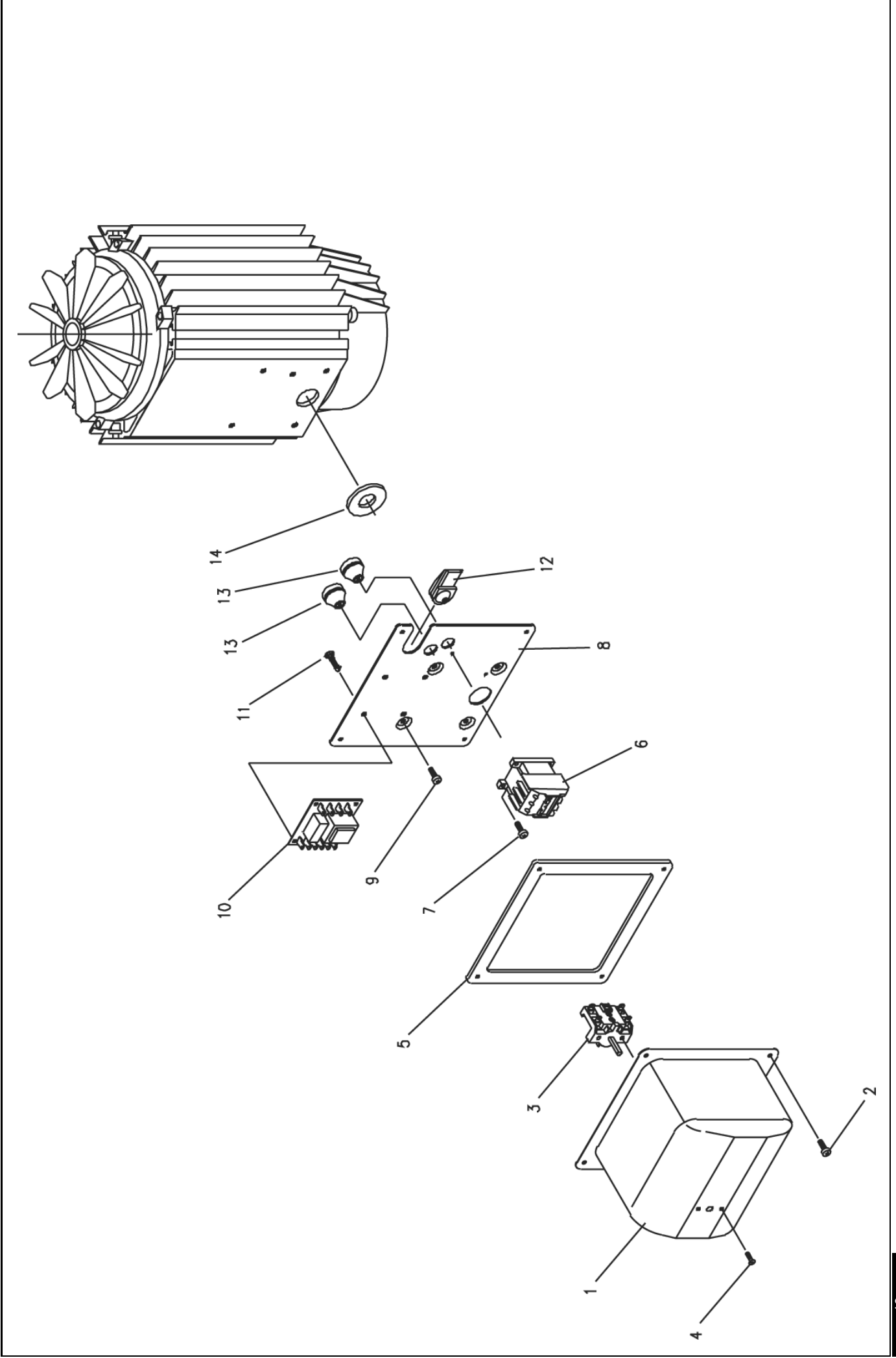


Motor 642/662/692 / Motor 642/662/692 / Moteur 642/662/692

Pos.	Ref. no.	Betegnelse Description	Bezeichnung Description	642 A	662 A	692 A
0	06270421	MOTOR KPL KOLD 3X230/400V, 3X230-415V 50HZ MOTOR CPL., 3X230-415V 50HZ	MOTEUR CPL., 3X230-415V 50HZ	1	1	1
0	06270423			1	1	1
01	06120577	OLIEGLAS, 3/4" OIL GLASS, 3/4"	BOUCHON VER. HUILE=262469	1	1	1
02	06120580	PAKNING FOR OLIEØJJE GASKET, Ø31XØ26X1,5	JOINT, □31X□26X1,5	1	1	1
03	06181553	OLIEPÅFYLDNINGSRØR, Ø30X165 9999, Ø30X165	9999, □30X165	1	1	1
04	06120051	O-RING, 25.3X2,4 O-RING, 25.3X2,4	O-RING JOINT TORIQUE	1	1	1
05	06181556	STEMPELSTYR, 600 PISTON GUIDE, 600	GUIDE PISTON, 600	1	1	1
06	06261494	OLIEAFTAPNINGSPROP KPL., 3/400,881,4001 DRAIN PLUG CPL., 3/400,881,4001	OELABASSSTOPFEN KPL. CAPUCHON P.VID.G300/400LIL. CPL.	1	1	1
07	06120446	O-RING, 7,66X1,78 70 O-RING, 7,66X1,78 70	O-RING JOINT TORIQUE	1	1	1
08	06070455	UNBRACO SKRUE, M8X25 ALLEN SCREW, M8X25	IMBUSBOLZEN, GALV. GALV.	2	2	2
09	06260898	SKRÅKIVELEJEKIT CAM DISC BEARING KIT	BOGENSCHEIBELEGERKIT KIT ROULEMENT DISQUE G 60C. G600/ALPOWER	1	1	1
10	06180743	SKRÅKIVE, 7,11 CAM DISC, 7,11	BOGENSCHEIBE 7,11 DISQUE INCLINE 7,11 G5000	1	1	1
10	06180744	SKRÅKIVE, 6,00 CAM DISC, 6,00	BOGENSCHEIBE DISQUE INCLINE 6,0 DEGRES			1
10	06180745	SKRÅKIVE, 8,24 CAM DISC, 8,24	BOGENSCHEIBE DISQUE INCLINE 8,24	1		
10	06180746	SKRÅKIVE, 8,24 CAM DISC, 8,24	BOGENSCHEIBE DISQUE INCLINE G 600		1	
10	06180747	SKRÅKIVE, 9,35 CAM DISC, 9,35	BOGENSCHEIBE DISQUE INCLINE	1		
11	06260897	TRYKLEJEKIT PRESSURE BEARING KIT, G600	DRUCKLAGERKIT KIT ROULEMENT G 600-600/A-600/AL-POWER	1	1	1
12	06280103	TALLERKENFJEDER , 51,5X35, SPRING , 51,5X35,	TELLERFEDER 51,5X35X50,6X1,5 RESSORT G-600	1	1	1
13	06260896	STEMPELKIT, STÅL 1 STK. PISTON KIT, STEEL 1 PCS.	KOLBENKIT PISTON A L"UNITE G6000	1		
13	06261430	STEMPELKIT, KERAMIK 1 STK. PISTON KIT, CERAMIC 1 PCS.	KIT F. KOLBEN KPL. G-660/5000 KIT PISTONS (NOUVEAU) G-60/5000		1	1
14	06270434	ROTORAKSEL, 642/662/692 ROTOR AXLE, 642/662/692	ARBRE DE ROTOR, 642/662/692	1	1	1
14A	06120310	O-RING, 117X3 O-RING, 117X3	O-RING JOINT TORIQUE G 600	1	1	1

Motor 642/662/692 / Motor 642/662/692 / Motor 642/662/692 / Moteur 642/662/692

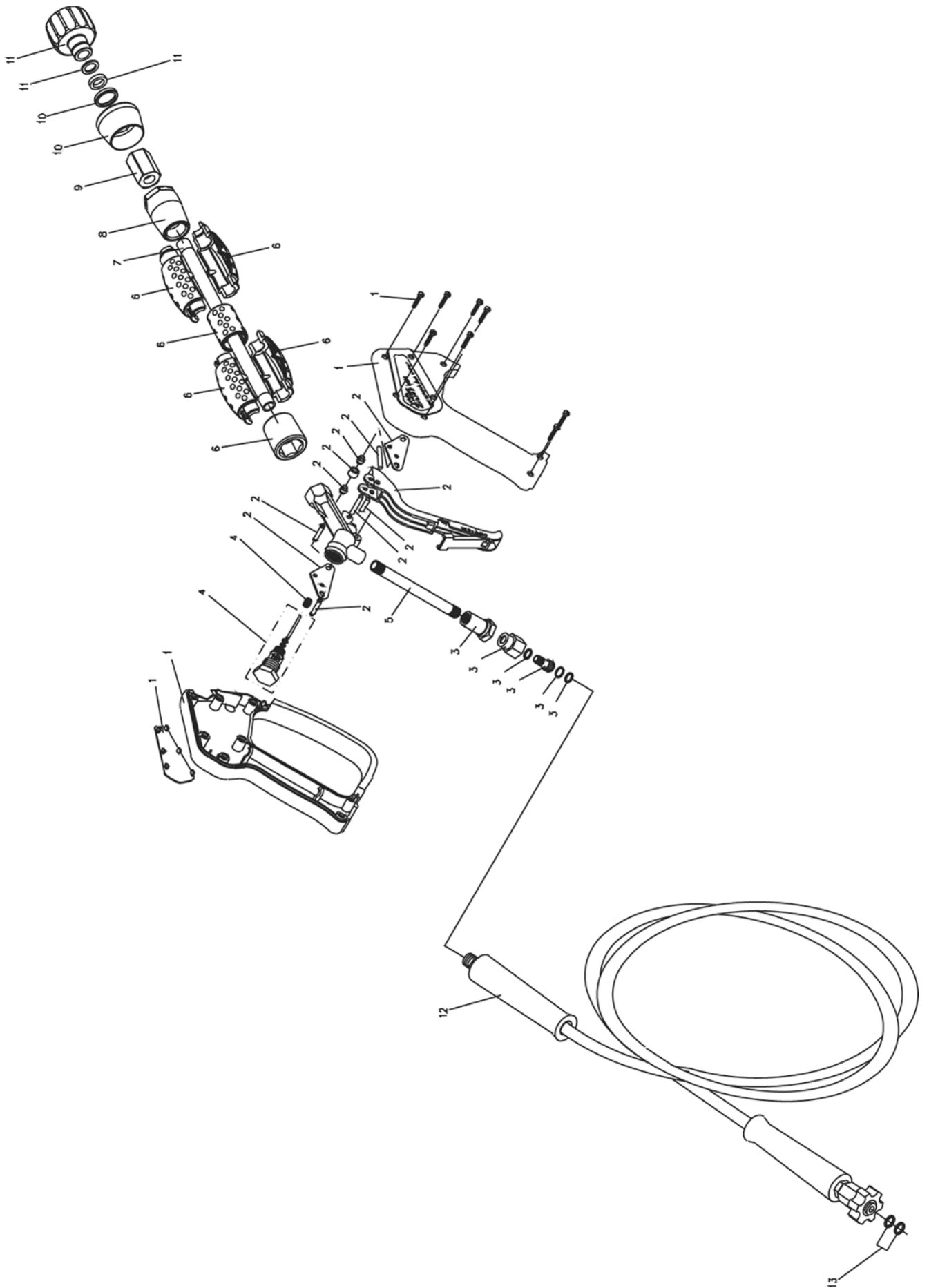
Pos.	Ref. no.	Betegnelse Description	Bezeichnung Description	642 A	662 A	692 A
14B	06181564	LEJEFLANGE BERARING FLANGE	LAGERFLANSCH VIS A TETE CYLINDRIQUE	1	1	1
14C	06070746	UNBRACO SKRUE, M8X35 ALLEN SCREW, M8X35	IMBUSSBOLZEN, GALV. BOULON A TETE CYLINDRIQUE	4	4	4
14D	06120307	SIMMERRING, 30X47X7 SEALING RING, 30X47X7	OELDICHTUNGSRING JOINT SPI 30X47X7 G 600LILE	1	1	1
14E	06140040	KUGLELEJE, 8X7X35 BALL BEARING , 8X7X35	KUGELLEGER 6206 ZZR.C3.L12 ROULEMENT 6206 G 600	1	1	1
14F	06280100	FEDER, 8X7X35 KEY, 8X7X35	FEDERFORM A DS96 CLAVETTE G-600	1	1	1
14G	06270425	ROTORAKSEL, B112 ROTOR AXLE, B112	ARBRE DE ROTOR, B112	4	4	4
14H	06140008	LEJE F. EL-MOTOR	LAGER F/ELEKTROMOTOR ROULEMENT P.MOTEUR EL.	1	1	1
15	06280206			2	2	2
16	06080270	MØTRIK, M8 NUT, M8	ECROU, M8	8	8	8
17	06061502			1	1	1
18	06080018	STJERNESKIVE, M8 TOOTH LOCK WASHER, M8	FEDERTELLERSCHEIBE, GALV. RONDELLE D'ETOILE	4	4	4
19	06070903	UNBRACO SKRUE, M8X16 ALLEN SCREW, M8X16	VIS A TETE CYLINDRIQUE, M8X16	4	4	4
21	06061501			1	1	1
22	06270415	MOTORFLANGE, B100 MOTOR FLANGE, B100	BRIDE DE MOTEUR, B100	1	1	1
23	06070746	UNBRACO SKRUE, M8X35 ALLEN SCREW, M8X35	IMBUSSBOLZEN, GALV. BOULON A TETE CYLINDRIQUE	4	4	4
24	06270432	VENTILATOR M. LÅS FAN	AILETTE DE VENTILATEUR	1	1	1
25	06270429	VENTILATORSKÆRM FAN COVER	PROTECTION VENTILATEUR	1	1	1
26	06080004	SPÆNDESKIVE, 8,4X17X1,6 TENSION DISC, 8,4X17X1,6	FEDERSCHEIBE, GALV. RONDELLE	4	4	4
27	06070903	UNBRACO SKRUE, M8X16 ALLEN SCREW, M8X16	VIS A TETE CYLINDRIQUE, M8X16	4	4	4



El-komponenter 642/662/692 / Electric components 642/662/692 / Elektrische komponente 642/662/692 / Composantes électrique 642/662/692

642 A 662 A 692 A

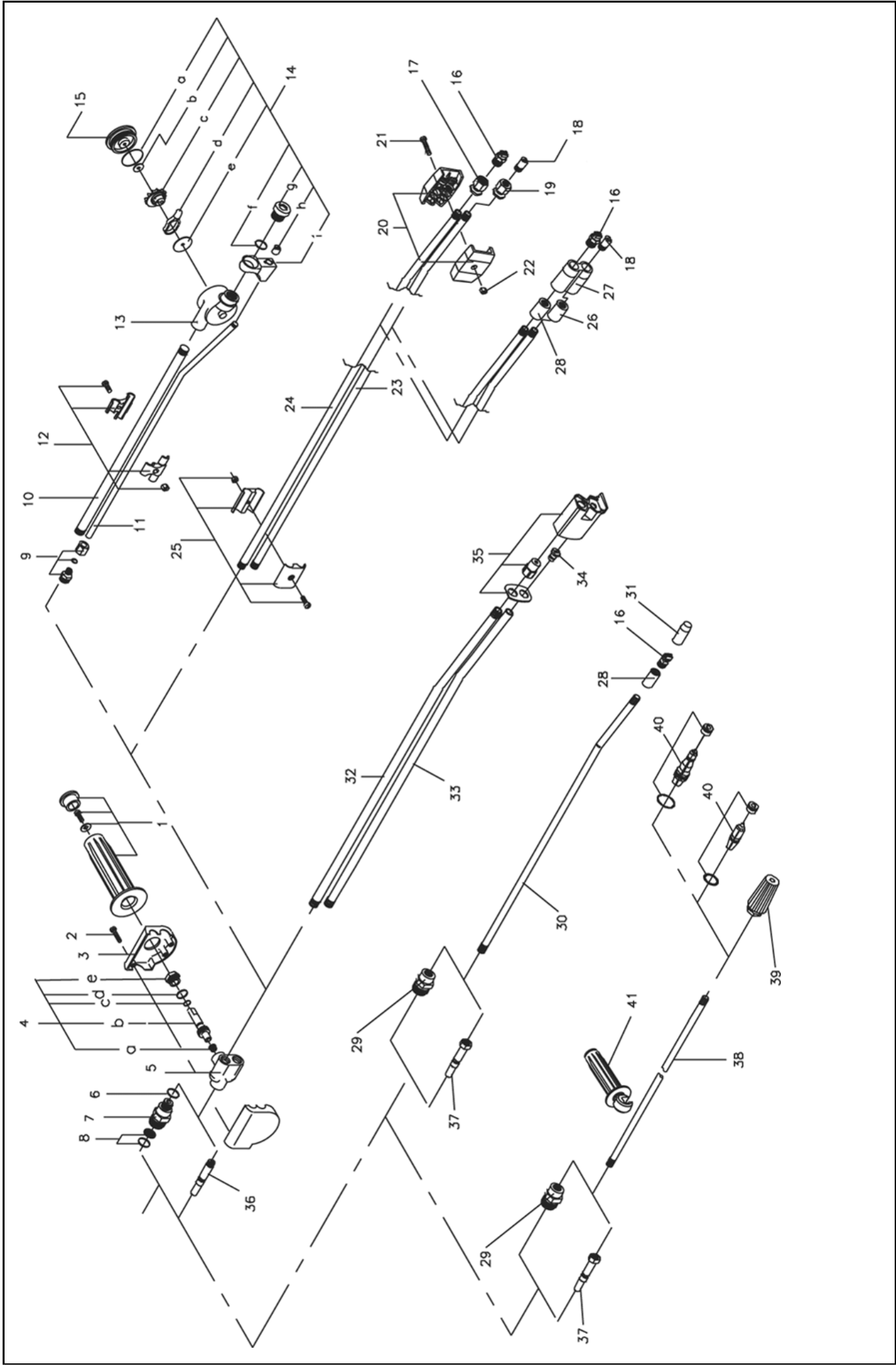
Pos.	Ref. no.	Betegnelse Description	Bezeichnung Description	642 A	662 A	692 A
01	06061506	ELKASSE ELECTRIC BOX	BOITE ELECTRIQUE	1	1	1
02	06070505	SKRUE, 3,9X9,5 SCREW, 3,9X9,5	SELBSTSCHNEIDENDE SCHRAUBE VIS	4	4	4
03	06161084	DREJEAFBRYDER, 0-1-AUTO SWITCH, 0-1-AUTO	INTERRUPTEUR 412/452/482	1	1	1
04	06070327	SKRUE, M4X8 SCREW, M4X8	SCHRAUBE, VERSENKT X Z VIS UHJ XZ	2	2	2
05	06120584	PAKNING FOR EL-BOX G602A GASKET FOR ELEC. BOX	DICHTUNG F. EL-BOX JOINT DE BOITE ELECTRIQUE	1	1	1
06	06160265	KONTAKTOR, 3X200-230V 50 HZ CONTACTOR , 3X200-230V 50 HZ	SCHUETZ DANFOSS CONTACTEUR DANFOSS	1	1	1
06	06160853	KONTAKTOR C115 400V-50HZ CONTACTOR , 15/16A 3X400-440V 50 HZ	SCHUETZ CONTACTEUR 380V G-640/660	1	1	1
07	06070508	SELVSKERENDE SKRUE, 3,9X13 SELF-TAPPING SCREW, 3,9X13	SELBSTSCHNEIDENDE SCHRAUBE VIS	4	4	4
08	06061504			1	1	1
09	06070491	SKRUE, 5X12 SCREW, 5X12	TAP TITE P/K VIS	4	4	4
10	06170290	PRINT, G600 200-230V50-60HZ PRINT, G600 200-230V50-60HZ	UNITE DE CONTROLE, G600 200-230V50-60HZ	1	1	1
10	06170291	PRINT PRINT, 400-415V50-60	UNITE DE CONTROLE,	1	1	1
12	06160713	KABELGENNEMFØRING, 50X32X21,5 CABLE GROMMET, 50X32X21,5	KABELDURCHFUEHRUNG G500/600 TRAVERSEE DE CABLE G500/G600	1	1	1
13	06120111	PAKASE, C 5-7 STUFFING BOX, C 5-7	STOPFBUCHSE PRESSE-ETOUPE CAOUTCHOUC	2	2	2
14	06120585	PAKNING FOR MOTOR G602A GASKET FOR MOTOR	DICHTUNG F. MOTOR JOINT DE MOTEUR	1	1	1



Pistol / Pistole / Pistole / Pistolet

Pos.	Ref. no.	Betegnelse Description	Bezeichnung Description	642 A	662 A	692 A
0	06290111	PISTOL - EGT 2600 - LANG MED SWIVEL, LYNKOBLING PISTOL - EGT 2600 - LONG W. SWIVEL, QUICK COUP.	PISTOLET EGT2600 RAC.RAPI	1	1	1
0	06290121	O-RINGSKIT FOR PISTOL O-RING KIT FOR PISTOL	JOINT A LEVRE .P/290111	1	1	1
01	06290119	PISTOLKROP KPL. PISTOL HOUSING CPL.	CORPS PISTOLET 290111	1	1	1
02	06290120	AFTRÆKKER KIT PULLER KIT	KIT DETENTE P/PIST.290111	1	1	1
03	06290122	DREJELED, KPL. SWIVEL, CPL.	JOINT TOURN.P/PIST.290111	1	1	1
04	06290123	VENTIL KPL. VALVE CPL.	VANNE P/PISTOLET 290111	1	1	1
05	06290124	TILGANGSRØR INLET PIPE	TUYAU D'ENTREE P/290111	1	1	1
06	06290125	KAPPEKIT CAP KIT	PROTECTION P/290111	1	1	1
07	06290126	FORRØR FOR PISTOL FRONT PIPE FOR PISTOL	TUBE AVANT P/PISTOL.290111	1	1	1
08	06290127	AFSTANDSSTYKKE DISTANCE PIECE	ENTRETOISE P/PISTOL290111	1	1	1
09	06290128	MUFFE SOCKET	MANCHON P/PISTOL 290111	1	1	1
10	06290129	AFSTANDSSTYKKE DISTANCE PIECE	ENTRETOISE P/PISTOL290111	1	1	1
11	06290130	LYNKOBLING KPL. QUICK COUPLING CPL.	RACCORD RAPID.PIST.290111	1	1	1
12	06110200	HØJTRYKSSLANG DN10X10M HIGH PRESSURE HOSE, 3/8"X3/8" NIPPLE, Ø10 MM 10 M	HOCHDRUCKSCHLAUCH FLEXIB.HP 10M-DIAMETRE 10	1		
12	06110475	HØJTRYKSSLANG DN8X10M HIGH PRESSURE HOSE, 3/8"X3/8" NIPPLE, Ø8 MM 10 M	HOCHDRUCKSCHLAUCH M. SCHRAUBENKUPPLUNGEN TUYAU H.P.SCHIF.AV.RAC.AEER A/RAC. A VIS	1	1	1
13	06260936	PAKINGSKIT F. SKRUEKØB. GASKET KIT FOR SCREW COUPLING	DICHTUNGSKIT F. SCHRAUBENKUPPLUNG KIT JOINT RACCORD VIS VIS	1	1	1

Spulerør / Lances / Lanzen / Lance



Spulerør / Lances / Lanzen / Lance

Pos.	Ref. no.	Betegnelse Description	Bezeichnung Description	642 A	662 A	692 A
01	06260232	HANDTAGSKIT F. SPULERØR HANDLE KIT	HANDGRIFFKIT F. DOPPELLANZE KIT SERVICE AVEC POIGNEENNE DOUBLE	1	1	1
02	06070479	SKRUE, 4X20 SCREW, 4X20	SCHNEIDSCHRAUBE, SCHWARZZINK VIS	3	3	3
03	06200097	PYNTEDÆKSEL F. VENTILHUS COVER F. VALVE HOUSING	STAUWKAPPE F. VENTILGEHAE COUVERCLEOR. D. VAN OR. D. VAN	1	1	1
04	06260860	VENTILSPINDEL KIT VALVE SPINDLE KIT	VENTILSPINDELKIT F. DRUCKREGELUNG KIT REGLAGE PRESSION DOUBEGL. PRES.	1	1	1
04A	06262060	ENK.SPULERØR 1100MM QUICK SINGLE LANCE - QUICK - 1100 MM, EXCL.NOZ	LANCE SIMPLE RAPIDE 1.10M	1		
04B	06262063	DOBB.SPULERØR 600MM QUICK DOUBLE LANCE - PRES. REG.- QUICK -600 MM,	LANCE DOUBLE RAPIDE, 600M	1		
04C	06120006	O-RING, 6.75X1,78 O-RING, 6.75X1,78	O-RING JOINT TORIQUE MAT 4470	1	1	1
04C	06262059	ENK.SPULERØR 600MM QUICK SINGLE LANCE - QUICK - 600 MM, EXCL.NOZ	LANCE SIMPLE RAPIDE, 600M	1		
04D	06120010	O-RING, 13.1X1,6 O-RING, 13.1X1,6	O-RING JOINT TORIQUE MAT 4470	1	1	1
04D	06262094	SPECTRUM M/ TRYKREG. - LYN - 600 MM, 165 SPECTRUM W. PRES. REG. - QUICK - 600 MM, 165	LANCE SPECTRUM 600/#6.5 R	1		
04D	06262253	SPECTRUM 600 U.DYSE QUICK SPECTRUM W. PRES. REG. - QUICK - 600 MM,	LANCE SPECTRUM R. R-S/GICL	1		
04E	06190245	MØTRIK NUT	MUTTER F. VENTIL ECROU POUR VANNE DOUB.LAN	1	1	1
04E	06262128	ROTO JET M/ LYN - 600 MM, 7.0 ROTO JET - QUICK - 600 MM, 7.0	LANCE ROTO JET RAPIDE 070	1		
05	06211078	VENTILHUS VALVE HOUSING	VENTILGEHAEUSE, KPL CULASSE LANCE DOUBLE ET	1	1	1
0A	06262068	TURBO-LASER 600MM QUICK TURBO LASER W. PRES. REG. - QUICK - 600 MM, 9.0	TURBO-LASER 600MM RAPIDE	1		
0A	06262080	TURBO LASER M/ TRYKREG. - LYN - 600 MM, 5.0 TURBO LASER W. PRES. REG. - QUICK - 600 MM, 5.0	TURBO-LASER 600MM RAPIDE	1		
0B	06262063	DOBB.SPULERØR 600MM QUICK DOUBLE LANCE - PRES. REG.- QUICK -600 MM,	LANCE DOUBLE RAPIDE, 600M	1		
0C	06262059	ENK.SPULERØR 600MM QUICK SINGLE LANCE - QUICK - 600 MM, EXCL.NOZ	LANCE SIMPLE RAPIDE, 600M	1		
0D	06262093	SPECTRUM M/ TRYKREG. - LYN - 600 MM, 150 SPECTRUM W. PRES. REG. - QUICK - 600 MM, 150	LANCE SPECTRUM 600/#5.0MM	1		
0D	06262096	SPECTRUM M/ TRYKREG. - LYN - 600 MM, 190 SPECTRUM W. PRES. REG. - QUICK - 600 MM, 190	LANCE SPECTRUM 600/#9.0MM	1		
0D	06262253	SPECTRUM 600 U.DYSE QUICK SPECTRUM W. PRES. REG. - QUICK - 600 MM,	LANCE SPECTRUM R. R-S/GICL	1		
0E	06262124	ROTO JET M/ LYN - 600 MM, 5.0 ROTO JET - QUICK - 600 MM, 5.0	LANCE ROTO JET RAPIDE 050	1		

Spulerør / Lances / Lanzen / Lance

Pos.	Ref. no.	Betegnelse Description	Bezeichnung Description	642 A	662 A	692 A
0E	06262129	ROTO JET M/ LYN - 600 MM, 9.0 ROTO JET - QUICK - 600 MM, 9.0	LANCE ROTO JET RAPIDE 090	1		
10	06050841	SPULERØR LIGE, Ø13X1,5X586 LANCE STRAIGHT, Ø13X1,5X586	LANZE GERADE TURBO LASER LANCE DROITE TURBO LASER	1	1	1
11	06050842	KEMIRØR 15 GR. BUK , Ø8X1X622 DETERGENT PIPE 15 DEG., Ø8X1X622	REI.MITTLERØHR 15 GR. VERB. F. T. L. TUYAU POUR LANCESER, 15 DSER, 15 DEGRES	1	1	1
12	06261130	BESLAG FOR TURBO LASER FITTINGS FOR TURBO LASER	BESCHLAG F. TURBO LASER ROHR ARMATURE POUR TURBO LASER TUYAU	1	1	1
13	06261288	TURBO LASER HUS , Ø3,6 MIN 720 L TURBO LASER HOUSING, Ø3,6 MIN 720 L	GEHAEUSE F. TURBO LASER CORPS P.TURBO LASER 3E GE COMPLET	1	1	
14	06261111	TURBO LASER KIT, 5.0 TURBO LASER KIT, 5.0	SERVICEKIT F. TURBO LASER KIT REP. TURBO LASER G 11 LASER			1
14	06261151	TURBO LASER KIT, 6.5 TURBO LASER KIT, 6.5	SERVICEKIT F. TURBO LASER KIT REPARATION TURBO LASEASER		1	
14	06261153	TURBO LASER KIT, 9.0 TURBO LASER KIT, 9.0	SERVICEKIT F. TURBO LASER KIT REP. TURBO LASER G 62ASER	1		
14A	06120544	O-RING, 36.0X1,78 O-RING, 36.0X1,78	JOINT TORIQUE	1	1	1
14F	06120282	O-RING, 14X1,78 O-RING, 14X1,78	O-RING JOINT TORIQUE 14 X 1,78	1	1	1
14H	06180533	DYSE, Ø10X12 NOZZLE, Ø10X12	DUESE GICLEUR DIA. 10X12	1	1	1
15	06180936	LÅG FOR TURBO LASER COVER FOR TURBO LASER	DECKEL F. TURBO LASER, BEARBEITET COUVER.P.TURBO LASER FACOR, FACONNE	1	1	1
16	06090140	DYSE HÆRDET 1/4-1505 FLAT JET NOZZLE 15°, 5	FLACHSTRAHLDUESE 15° GICLEUR DURCI 1/4MEG 1505			1
16	06090208	DYSE HÆRDET 1/4-1509 FLAT JET NOZZLE 15°, 9	DUESE, GEHAERTET, ROSTFREI GICLEUR DURCI 1/4MEG 1509	1		
16	06090211	DYSE HÆRDET 1/4-1506.5 FLAT JET NOZZLE 15°, 6.5	FLACHSTRAHLDUESE 15° GICLEUR DURCI 1/4MEG15065		1	
17	06180780	DYSEHOLDER, 17X20 NOZZLE HOLDER, 17X20	DUESENHALTER F/HOCHDRUCKDUESE SUPPORT DE GICLEUR H.P.EUEUR H.P.	1	1	1
18	06180779	KEMIDYSE, Ø10X22 DETERGENT NOZZLE, Ø10X22	REINIGUNGSMITTELDUESE GICLEUR DETERGENT	1	1	1
19	06180781	DYSEHOLDER FOR KEMI, 17X20 NOZZLE HOLDER FOR DETERGENTS, 17X20	DUESENHALTER F/REINIGUNGSMITTEL SUPPORT DE GICLEUR DETERGRGENT	1	1	1
20	06200226	DYSEBESKYTTER NOZZLE PROTECTION, PLASTIC	DUESENSCHUTZ KUNSTSTOFF PROTECTION GICLEUR PLASTI PLASTIQUE	2	2	2
21	06070497	SKRUE, 5X22 SCREW, 5X22	SCHRAUBE, ROSTFREI, Z/K VIS C/H INOX	1	1	1
22	06080123	MØTRIK, M5 NUT, M5	MUTTER, ROSTFREI RONDELLE	1	1	1
23	06050941	KEMI-RØR, RUSTFRI, Ø13X1,5X591 DETERGENT PIPE, STAINLESS, Ø13X1,5X591	DOPPELLANZE TUBE DE LANCE BP	1	1	1

Spulerør / Lances / Lanzen / Lance

Pos.	Ref. no.	Betegnelse Description	Bezeichnung Description	642 A	662 A	692 A
24	06050940	SPULERØR, RUSTFRI, Ø13X1,5X596 LANCE, STAINLESS, Ø13X1,5X596	DOPPELLANZE TUBE DE LANCE HP	1	1	1
25	06260537	BESLAG F. DOBB. SPULERØR FITTINGS FOR DOUBLE LANCE	BESCHLAG F/DOPPELLANZE TURBO ENTRETOISE LANCE TURBO TE TURBO	1	1	1
26	06181232	DYSEHOLDER FOR KEMI, Ø18X26 NOZZLE HOLDER FOR DETERGENTS, Ø18X26	DUESEHALTER F. REINIGUNGSMITTELDUESE SUPPORT GICLEUR POUR DETER DE DETERGENT	1	1	1
27	06200374	DYSESKYTTER DOBBELT NOZZLE PROTECTION, PLASTIC, DOBBLE	DUESCHUTZ - DOBBELT PROTECT.PLAST.GICLEUR LAN	1	1	1
28	06030643	MUFFE FOR SPULERØR, Ø10 SOCKET FOR LANCE, Ø10	MUFFE F. LANZE MANCHON POUR LANCE INOX	1	1	1
28	06181233	DYSEHOLDER , Ø18X26 NOZZLE HOLDER , Ø18X26	DUESEHALTER F. HOCHDRUCKSDUESE SUPPORT GICLEUR HAUTE PRR HAUTE PRESSION	1	1	1
29	06030485	SKRUEKOBLING, 1/4" INDV. SCREW COUPLING, 1/4"	SCHRAUBENKUPPLUNG, NICHT DREHBAR ACCOUPL. VIS 1/4 INT.NT NT	1	1	1
30	06050116	SPULERØR, RUSTFRI, Ø13X586 LANCE, STAINLESS, Ø13X586	LANZE, ROSTFREI LANCE INOX DIAM. 13X596	1	1	1
31	06200375	DYSESKYTTER ENKELT NOZZLE PROTECTION, PLASTIC, SINGLE	DUESESCHUTZ PROTECT.PLAST.GICLEUR LAN	1	1	1
35	06261968	SPECTRUM KIT, 150 SPECTRUM KIT, 150	SPECTRUM KIT KIT SPECTRUM 690/6900			1
35	06261969	SPECTRUM KIT, 165 SPECTRUM KIT, 165	SPECTRUM KIT KIT SPECTRUM 660/600P		1	
35	06261971	SPECTRUM KIT, 190 SPECTRUM KIT, 190	SPECTRUM KIT KIT SPECTRUM 640/6400	1		
36	06030649	LYNKOBLING 1/4 UDV. QUICK COUPLING, 1/4"	SCHNELLKUPPLUNG RACCORD RAPIDE	1	1	1
37	06030827	NIPPEL QUICK-1/4" INDV. NIPPLE, 1/4"	RACCORD RAPIDE 1/4" INTER	1	1	1
38	06050841	SPULERØR LIGE, Ø13X1,5X586 LANCE STRAIGHT, Ø13X1,5X586	LANZE GERADE TURBO LASER LANCE DROITE TURBO LASER	1	1	1
39	06262135	ROTO JET NOZZLE CPL., 5.0 ROTO JET NOZZLE CPL., 5.0	GICLEUR ROTO CPL. 5.0			1
39	06262139	ROTO JET DYSE KPL., 7.0 ROTO JET NOZZLE CPL., 7.0	GICLEUR ROTO CPL. 7.0		1	
39	06262140	ROTO JET DYSE KPL., 9.0 ROTO JET NOZZLE CPL., 9.0	GICLEUR ROTO CPL. 9.0	1		
40	06262224	ROTO DYSE KIT, 5.0 ROTO JET NOZZLE KIT, 5.0	KIT POUR GICLEUR ROTO 050			1
40	06262226	ROTO DYSE KIT 070 ROTO JET NOZZLE KIT, 7.0	KIT POUR GICLEUR ROTO 070		1	
40	06262227	ROTO DYSE KIT, 9.0 ROTO JET NOZZLE KIT, 9.0	KIT POUR GICLEUR ROTO 090	1		
41	06260365	HANDGRIFF TIL ROT. BØRSTER OG ENKELT LANSEØR, HANDLE FOR ROTATING BRUSHES AND SINGLE	HANDGRIFF POIGNEE DE MAINTIEN LANCE	1	1	1