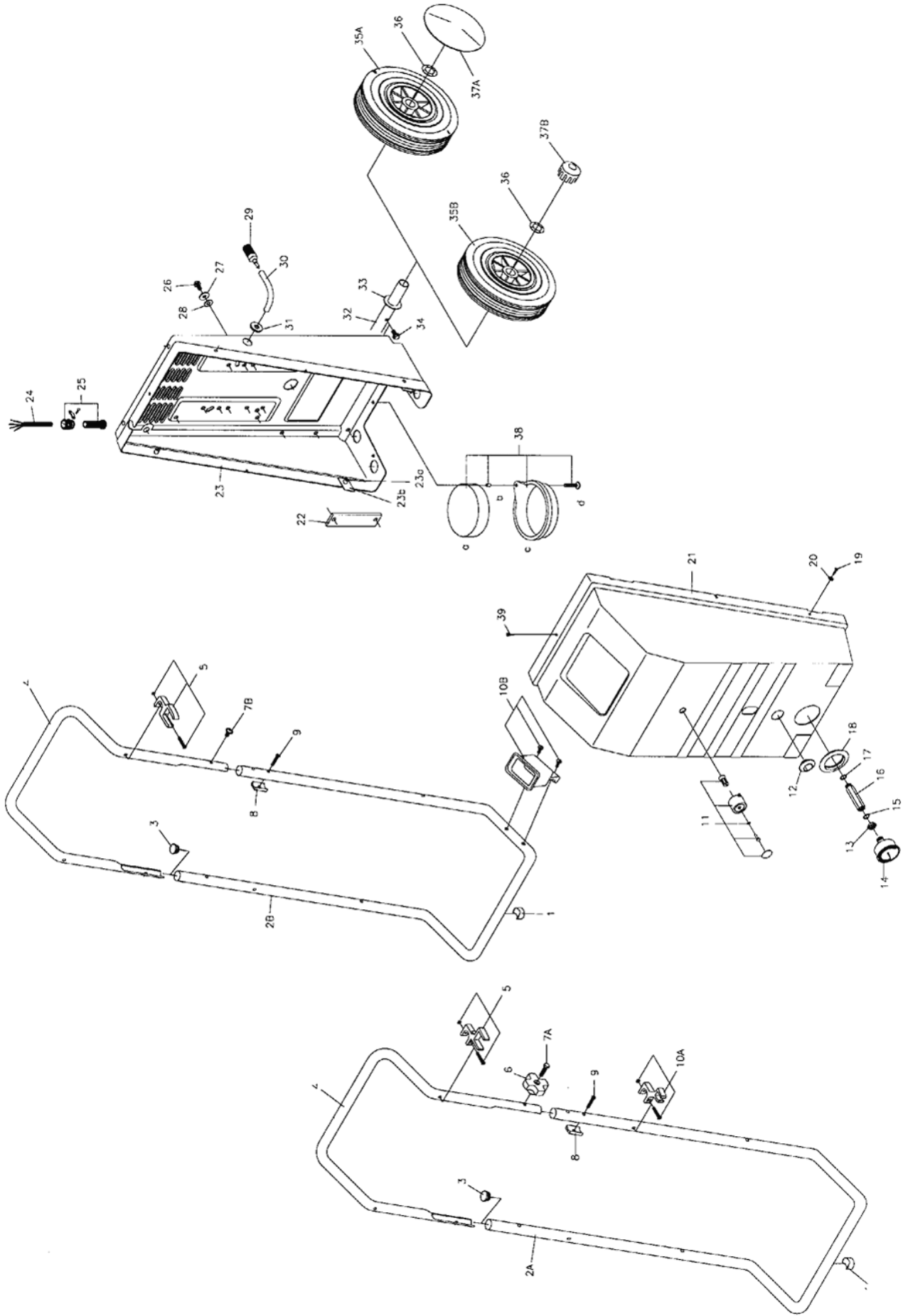

N/G-310/330/350

Reservedelsliste
Spare parts list
Ersatzteilliste
Liste de pièces détachées

Karosse / Body / Karosserie / Carrosserie	2
Pumpe / Pump / Pumpe / Pomp	7
Motor / Motor / Motor / Moteur	10
EI-komponenter / Electric components / Elektrische komponente / Composantes électrique	14
Pistol RL24 / Pistol RL24 / Pistole RL24 / Pistolet RL24	16
Pistol 98 / Pistol 98 / Pistole 98 / Pistolet 98	18
Spulerør / Lances / Lanzen / Lance	20



Karosserie / Body / Carrosserie / Carrosserie

Pos.	Ref. no.	Betegnelse Description	Bezeichnung Description	310	330	350
0	06160074	EL-STIK, 10AMP-380V *DK ELECTRIC PLUG, 10AMP-380V *DK	EL-STECKER STOSSFEST GRUEN/ROT *DK PRISE ELECTRIQUE, 10AMP-380V *DK			1
0	06160352	EL-STIK, *DK ELECTRIC PLUG, *DK	EL-STECKER M. ERDLEITER STOSSFEST PRISE ELECTRIQUE, *DK	1	1	
0	06160654	EL-STIK, *D CEE16 ELECTRIC PLUG, *D CEE16	EL-STECKER FINLAND BREMSNR. TYP1302 PRISE ELECTRIQUE, *D CEE16	1	1	
0	06160685	EL-STIK, SHUCHO ELECTRIC PLUG, SHUCHO	STECKER 220V PRISE ELECTRIQUE, SHUCHO	1		
0	06300690	TRANSFERS START/STOP TRANSFERS START/STOP	KLEBSTREIFEN START/STOPP AUTOCOLLANTS MISE EN MARCHÉ/ARRET	1	1	1
0	06301097	TYPESKILT, 45X65 M/M TYPE PLATE, 45X65 M/M	TYPSCILD GRAU PLAQUE SIGNALÉTIQUE, 45X65 M/M	1	1	1
0	06301472	TRANSFERS, G350 TRANSFERS, G350	KLEBSTREIFEN AUTOCOLLANT, G350			1
0	06301473	TRANSFERS, G310 TRANSFERS, G310	KLEBSTREIFEN AUTOCOLLANT, G310	1		
0	06301516	TRANSFERS MAX. OMLØBSTID, 10 MIN. TRANSFERS MAX. TIME OFOR BY-PASS, 10 MIN.	TRANSFERS MAX UMLAUF 10MI AUTOCOLLANT MAX. OPERATION EN BY-PASS, 10 MIN.	1	1	1
0	06301619	TRANSFER "ADVARSEL" TRANSFERS "WARNING"	TRANSFERS WAERNUNG G-880 AUTOCOLLANT "AVERTISSEMENT"	1	1	1
0	06301663	TRANSFER "CE" TRANSFERS "CE"	TRANSFERS CE MARKE AUTOCOLLANT "CE"	1	1	1
0	06301714	TRANSFER TURBO LASER	TRANSFER AUTOCOLLANT	1		1
0	06301805	TRANSFERS, G330 TRANSFERS, G330	AUFKLEBER AUTOCOLLANT, G330		1	
0	06301807	TRANSFERS, N330 TRANSFERS, N330	AUTOCOLLANT, N330		1	
0	06301827	TRANSFERS, N310 TRANSFERS, N310	AUTOCOLLANT, N310	1		
0	06301828	TRANSFERS, N350 TRANSFERS, N350	AUTOCOLLANT, N350			1
01	06200230	AFSTANDSSTYKKE	SOCKEL F/KIPPSTAENDER SCHWARZ G-175 BOUT G-175 G-175	1	1	1
02A	06050885	STØTTEBEN, Ø25X2054 SUPPORTING LEG, Ø25X2054	KIPPSTAENDER BIPIED, Ø25X2054	1		1
02B	06051011	STØTTEBEN, Ø25X2054 SUPPORTING LEG, Ø25X2054	BIPIED, Ø25X2054	1	1	1
03	06200064	DUPSKO, 25 CAP, 25	KAPPE BOUT, 25	2	2	2
04	06050886	KØREHANDTAG, Ø25X21124 OPERATION HANDLE, Ø25X21124	FAHRHANDGRIFF POIGNÉ, Ø25X21124	1	1	1
04	06050958	KØREHANDTAG, RILSANDBEH.	FAHRHANDGRIFF POIGNEE DE CONDUIRE	1	1	1

Karosserie / Body / Karosserie / Carrosserie

Pos.	Ref. no.	Betegnelse Description	Bezeichnung Description	310	330	350
05	06261765	HALTER FOR PISTOL KPL. HOLDER FOR PISTOL	HALTER F. LANZE SUPPORT POUR PISTOLET	1	1	1
06	06200206	HANDHJUL HAND WHEEL	HANDRAD ROUE A MAIN	2		2
07A	06070011	SKRUE, M8X30 SCREW, M8X30	SETZSCHRAUBE, GALV. VIS, M8X30	2		2
08	06200204	AFSTANDSKLODS SPACER BLOCK	STUELZE BLOC INTERMEDIAIRE	4	4	4
09	06070386	SKRUE, 6X40 SCREW, 6X40	SCHRAUBE S/K VIS, 6X40	4	4	4
10A	06260828	SPULERØRSHOLDER LANCE HOLDER	LANZENHALTER SUPPORT DE LANCE	1	1	1
10B	06261766	HOLDER FOR SPULERØR HOLDER FOR LANCE	HALTER F. LANZE SUPPORT P. LANCE	1	1	1
11	06261769	PLASTKNAPKIT BUTTON KIT, PLASTIC	KIT F. PLASTIK KNOFP KIT DE BOUCHON, PLASTIQUE	1	1	1
12	06200363	AFDEKNINGSSKIVE COVERING DISC	ABDECKSCHEIBE F. WASSERAUSLASS VIS DE COUVERTURE	1	1	1
13	06181042	MØTRIK, 19X6 NUT, 19X6	MUTTER F. MANOMETER ECROU, 19X6	1	1	1
14	06220036	TURBO MANOMETER PRESSURE GAUGE, 160/2800 BAR/PSI	TURBO MANOMETER MANOMETRE, 160/2800 BAR/PSI	1		
14	06220042	MANOMETER, 250 BAR PRESSURE GAUGE, 250/3600 BAR/PSI/ETP	TURBO MANOMETER MANOMETRE, 250/3600 BAR/PSI/ETP	1	1	1
15	06120182	O-RING, 16X2 O-RING, 16X2	O-RING JOINT TORIQUE, 16X2	1	1	1
16	06181144	MANOMETERSTUDS, KPL., G310/350 PRESSURE GAUGE SOCKET, CPL., G310/350	STUTZEN F. MANOMETER RACCORD DE MANOMETRE , CPL., G310/350	1	1	1
17	06120267	O-RING, Ø10,82X1,78 O-RING, Ø10,82X1,78	O-RING JOINT TORIQUE, Ø10,82X1,78	1	1	1
18	06120346	GUMMIMANCHET, Ø50 RUBBER SLEEVE, Ø50	GUMMIMANSCHETTE F. MANOMETER COUPELLE EN CAOUTCHOUC, Ø50	1	1	1
19	06070024	SELVSKÆRENDE SKRUE, 1/2"X8 SELF-TAPPING SCREW, 1/2"X8	SELBSTSCHNEIDENDE SCHRAUBE VIS CONIQUE, 1/2"X8	3	3	3
20	06080087	SPÆNDESKIVE, M8 TENSION DISC, M8	SCHEIBE, GALV. RONDELLE DE SERRAGE, M8	3	3	3
21	06240245	KAROSSE GRØN, 300 BODY GREEN, 300	KAROSSERIE G-300 GRUEN CARROSSE VERT, 300	1	1	1
21	06240246	KAROSSE GRÅ, N300 BODY GREY, N300	KAROSSERIE GRAU CARROSSE GRIS, N300	1	1	1
22	06120453	VIBRATIONSPLADE, 119X38X6 VIBRATION PLATE , 119X38X6	SCHWINGUNGSTAFEL PLAQUE DE VIBRATION , 119X38X6	2		
22	06120454	VIBRATIONSPLADE, 144X38X6 VIBRATION PLATE , 144X38X6	SCHWINGUNGSTAFEL PLAQUE DE VIBRATION , 144X38X6	2	2	2

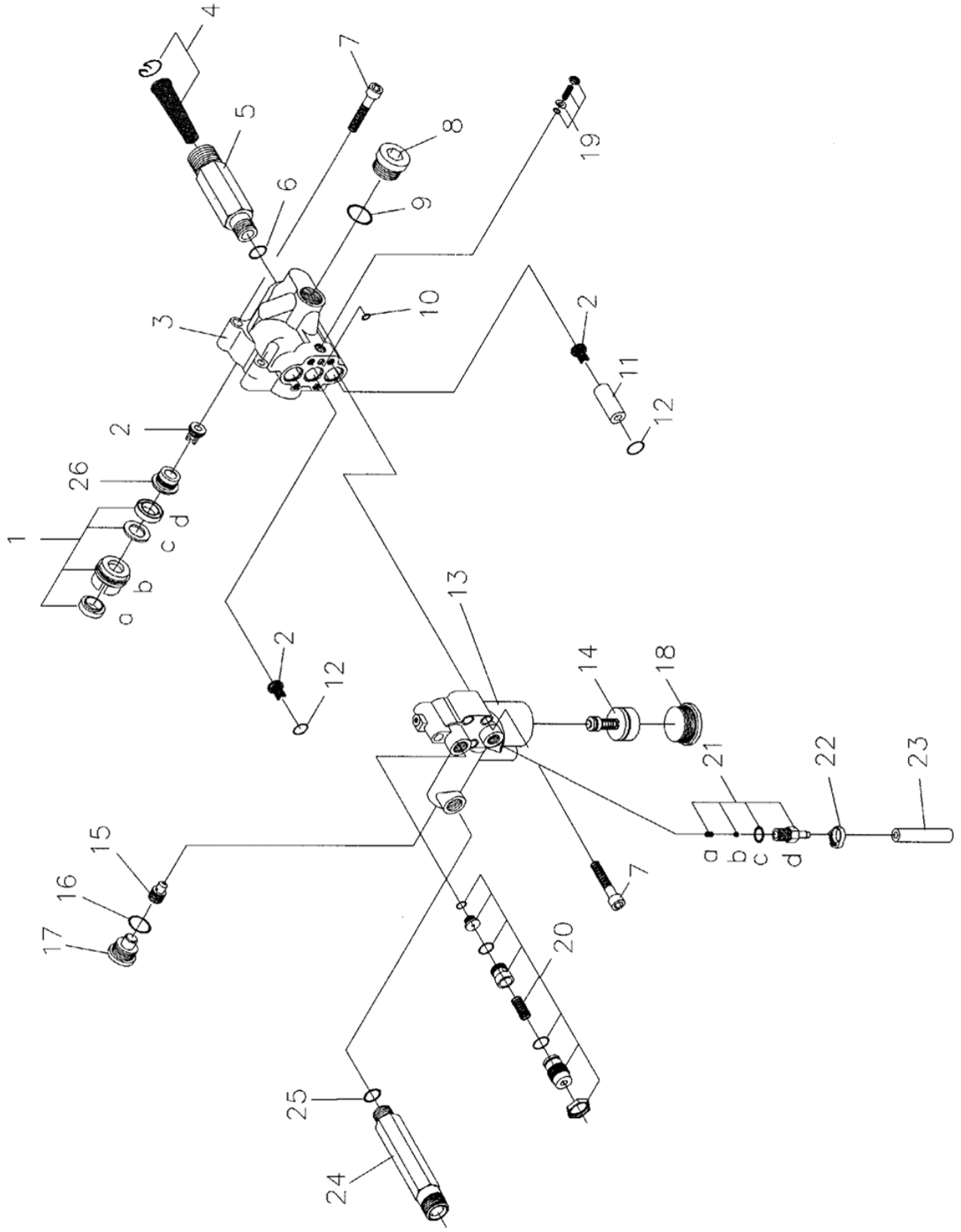
Karosserie / Body / Karosserie / Carrosserie

Pos.	Ref. no.	Bezeichnung Description	310	330	350
23	06211632	BODENRAHMEN KPL 3/4/660 BOTTOM FRAME, CPL., G 3/4/660	1	1	1
23A	06070509	POP-NUT STAHL, 6MM RIVET TUBULAIRE D'ACIER, 6MM	2	2	2
23B	06061249	BESLAG FOR KAROSSE, 33X39X1,0 FITTINGS FOR BODY, 33X39X1,0	2	2	2
24	06160138	TILGANGSKABEL, PLAST, 3X1,5X8000 INLET CABLE PLASTIC, 3X1,5X8000	1		
24	06160156	TILGANGSKABEL GUMMI, 4X1,5X8000 INLET CABLE RUBBER, 4X1,5X8000			1
24	06160489	TILGANGSKABEL GUMMI, 4X2,5X8000 INLET CABLE RUBBER, 4X2,5X8000			1
24	06160741	ELSTIK M. KABEL, PLAST, *GB ELECTRIC PLUG W. CABLE, PASTIC, *GB	1	1	
24	06160745	TILGANGSKABEL GUMMI, 3X1,5X8000 INLET CABLE RUBBER, 3X1,5X8000	1	1	
25	06261856	KABELGENNEMFØRINGSKIT, 3X1,5 MM2 CABLE GROMMET KIT, 3X1,5 MM2	1	1	
25	06261857	KABELGENNEMFØRINGSKIT, 3/4X1,5 CABLE GROMMET KIT, 3/4X1,5	1	1	1
25	06261858	KABELGENNEMFØRINGSKIT, 3/4X2,5 CABLE GROMMET KIT, 3/4X2,5	1		1
25	06261859	KABELGENNEMFØRINGSKIT, 3/4X4,0 CABLE GROMMET KIT, 3/4X4,0		1	
26	06070107	SÆTSKRUE, M8X35 SET SCREW, M8X35	4	4	4
27	06080156	GUMMISKIVE, Ø20XØ8X1,5 RUBBER DISC, Ø20XØ8X1,5	4	4	4
28	06080201	SPÆNDESKIVE, M8 TENSION DISC, M8	4	4	4
29	06100316	FILTER FOR KEMI DETERGENT FILTER	1	1	1
30	06110423	KEMISLANGE, 1/4" X 1450 MM DETERGENT HOSE, 1/4" X 1450 MM	1	1	1
31	06120336	GUMMIGENNEMFØRING, Ø14XØ24 RUBBER GROMMET, Ø14XØ24	1	1	1
32	06050887	HJULAKSEL, Ø25X2X442 WHEEL AXLE, Ø25X2X442	1		1
32	06051010	HJULAKSEL, Ø25X2X452 WHEEL AXLE, Ø25X2X452	1	1	1
33	06080075	SPÆNDESKIVE, 45X25,5X1,5 TENSION DISC, 45X25,5X1,5	2	2	2
34	06070394	SKRUE, 8X16 SCREW, 8X16	2	2	2

Karosser / Body / Karosserie / Carrosserie

Pos.	Ref. no.	Betegnelse Description	Bezeichnung Description	310	330	350
35A	06130175	HJUL, 25/65.250/60 WHEEL, 25/65.250/60	RAD PLT 25/65-250/60 SCHWARZ G-175 ROUE, 25/65.250/60	2	2	2
35B	06130172	HJUL, 25/50-200/50 WHEEL, 25/50-200/50	RAD ROUE, 25/50-200/50	2	2	2
36	06080136	LÅSESKIVE U/KAPPE, Ø25 MM LOCK WASHER WITHOUT CAP, Ø25 MM	FEDERTELLERSCHEIBE OHNE KAPPE ROND D. BLOUAGE S. MANCHON, Ø25 MM	2	2	2
37A	06130212	NAVAPSEL BLÅ HUB CAP BLUE	ACHSKAPPE ENJOLIVEUR BLEU	2		2
37B	06130092	NAVAPSEL SORT, Ø45 HUB CAP BLACK, Ø45	RADNABENKAPPE ENJOLIVEUR NOIR, Ø45	2	2	2
38	06261585	OLIEOPSAMLINGSBAKKE KPL. OIL ACCUMULATION TRAY CPL.	OELANSAMLUNGSVORRICHTUNG KPL. RECEPTACLE D"HUILE, CPL.	1	1	1
38A	06120481	SVAMP SPONGE	OELANSAMLUNGSSCHWAMM EPOGNE	1	1	1
38B	06080225	GEVINDBØSNING, M5 THREAD BUSHING, M5	GEWINDEBUECHSE MANCHON TARAUDE, M5	1	1	1
38C	06200378	OLIEOPSAMLINGSBAKKE OIL RESERVOIR	OELANSAMLUNGSBAKKE RECEPTACLE D"HUILE	1	1	1
38D	06070822	SKRUE, 5X16 SCREW, 5X16	SCHRAUBE VIS, 5X16	1	1	1
39	06070874	SKRUE, 4,2X13 HFC 198 SCREW, 4,2X13 HFC 198	VIS, 4,2X13 HFC 198	1	1	1

Pumpe / Pump / Pumpe / Pomp



Pumpe / Pump / Pumpe / Pumpe / Pump

Pos.	Ref. no.	Bezeichnung Description	310	330	350
0	06120411	O-RING, 8,73X1,78 O-RING, 8,73X1,78	1	1	1
0	06261493	KIT O-RINGE/PUMPE, N/G-300/400 KIT O-RINGS/PUMP, N/G-300/400	1	1	1
0	06345037	PUMPEOLIE, 0.5 L PUMP OIL, 0.5 L	1	1	1
01	06261489	KIT FOR MANCHET KIT POUR COUPELLE	1	1	1
01A	06120349	OLIEMANCHET, Ø16/Ø24/8 OIL CUP, Ø16/Ø24/8	3	3	3
02	06261490	KIT FOR VENTIL, 300/400 50 HZ KIT FOR VALVE, 300/400 50 HZ	1	1	1
02	06261599	VENTILKIT KIT FOR VALVE, 880 50/60 HZ	1	1	1
03	06181134	TOPSTYKKE, 310/350 CYLINDER HEAD, 310/350	1	1	1
04	06260825	VANDFILTERKIT, G-100 WATER FILTER KIT, G-100	1	1	1
05	06181139	TILGANGSSTUDS, 27X97 INLET SOCKET, 27X97	1	1	1
07	06070451	UNBRACO SKRUE, M8X45 ALLEN SCREW, M8X45	8	8	8
08	06181138	PROP F. VANDTILGANG	1	1	1
1 - 21	06360180	PUMPE KPL., G310 50/60HZ PUMP CPL., G310 50/60HZ	1	1	1
1 - 21	06360181	PUMPE KPL., G350 50/60HZ PUMP CPL., G350 50/60HZ	1	1	1
1-2	06261491	KIT FOR PUMPE, 300/400 50 HZ KIT FOR PUMP, 300/400 50 HZ	1	1	1
1-2	06261598	PUMPEKIT KIT FOR PUMP, 300/400 50/60 HZ	1	1	1
11	06181033	AFSTANDSSTYKKE, Ø15,3X37,5 DISTANCE PIECE, Ø15,3X37,5	2	2	2
13	06181314	TRYKMANIFOLD PRESSURE MANIFOLD	1	1	1
13	06261754	TRYKMANIFOLD, KPL., G300 PRESSURE MANIFOLD, CPL., G300	1	1	1
14	06261485	ØMLØBSVENTILKIT KIT FOR BY-PASS VALVE, G300/400/4000	1	1	1
15	06181154	INJEKTORDYSE, Ø13X22 INJECTOR NOZZLE, Ø13X22	1	1	1
15	06181155	INJEKTORDYSE, Ø13X22 INJECTOR NOZZLE, Ø13X22	1	1	1

Pumpe / Pump / Pumpe / Pomp

Pos.	Ref. no.	Betegnelse Description	Bezeichnung Description	310	330	350
17	06181130	PROP FOR AFGANG, Ø26X24 PLUG FOR OUTLET, Ø26X24	PFROPEN F. AUSSLASS - DRUCKMANIFOLD CAPUCHON P DEPART, Ø26X24	1	1	1
18	06181039	PROP FOR OMLØB, Ø38X17 PLUG FOR BY-PASS, Ø38X17	PFROPEN F. UMLAUF CAPUCHON P. BY-PASS, Ø38X17	1	1	1
19	06261131	JUSTERSKRUE ADJUSTING SCREW	JUSTIERSCHRAUBE F. MANOMETERDRUCK VIS DE REGLAGE	1	1	1
20	06261487	SIKKERHEDSVENTILKIT KIT FOR SAFETY VALVE, 300/400	KIT F. SICHERHEITSVENTIL KIT P. VANNE DE SURETE, 300/400	1		1
20	06261740	SIKKERHEDSVENTIL KIT FOR SAFETY VALVE, 3/400/880/4000 MRK 2	SICHERHEITSVENTILKIT KIT P. VANNE DE SURETE, 3/400/880/4000 MRK 2	1	1	1
21	06261484	KIT FOR KUGLEKONTRAVENTIL KIT FOR NON-RETURN VALVE	KIT F. RUECKSCHLAGVENTIL KIT P. VANNE ANTIRETOUR A BILLE	1	1	1
21C	06120246	O-RING, Ø3.68X1,78 O-RING, Ø3.68X1,78	O-RING JOINT TORIQUE, Ø3.68X1,78	1	1	1
22	06110494	SPÆNDEBAND, 10-12 RETAINING RING, 10-12	SCHLAUCHSCHELLE FRETTE, 10-12	1	1	1
23	06110423	KEMISLANGE, 1/4" X 1450 MM DETERGENT HOSE, 1/4" X 1450 MM	REINIGUNGSMITTELSCHLAUCH, AUSSEN G-600 TUYAU DE DETERGENT, 1/4" X 1450 MM	1	1	1
24	06181140	AFGANGSSTUJS, OUTLET SOCKET, 22X126	AUSLASSSTUTZEN RACCORD DE DEPART, 22X126	1	1	1
26	06181032	STØTTEBØSNING, Ø25,8X16 SUPPORTING SLEEVE, Ø25,8X16	STUETZBUCHSE BAQUE DE SUPPORT, Ø25,8X16	3	3	3

Motor / Motor / Moteur

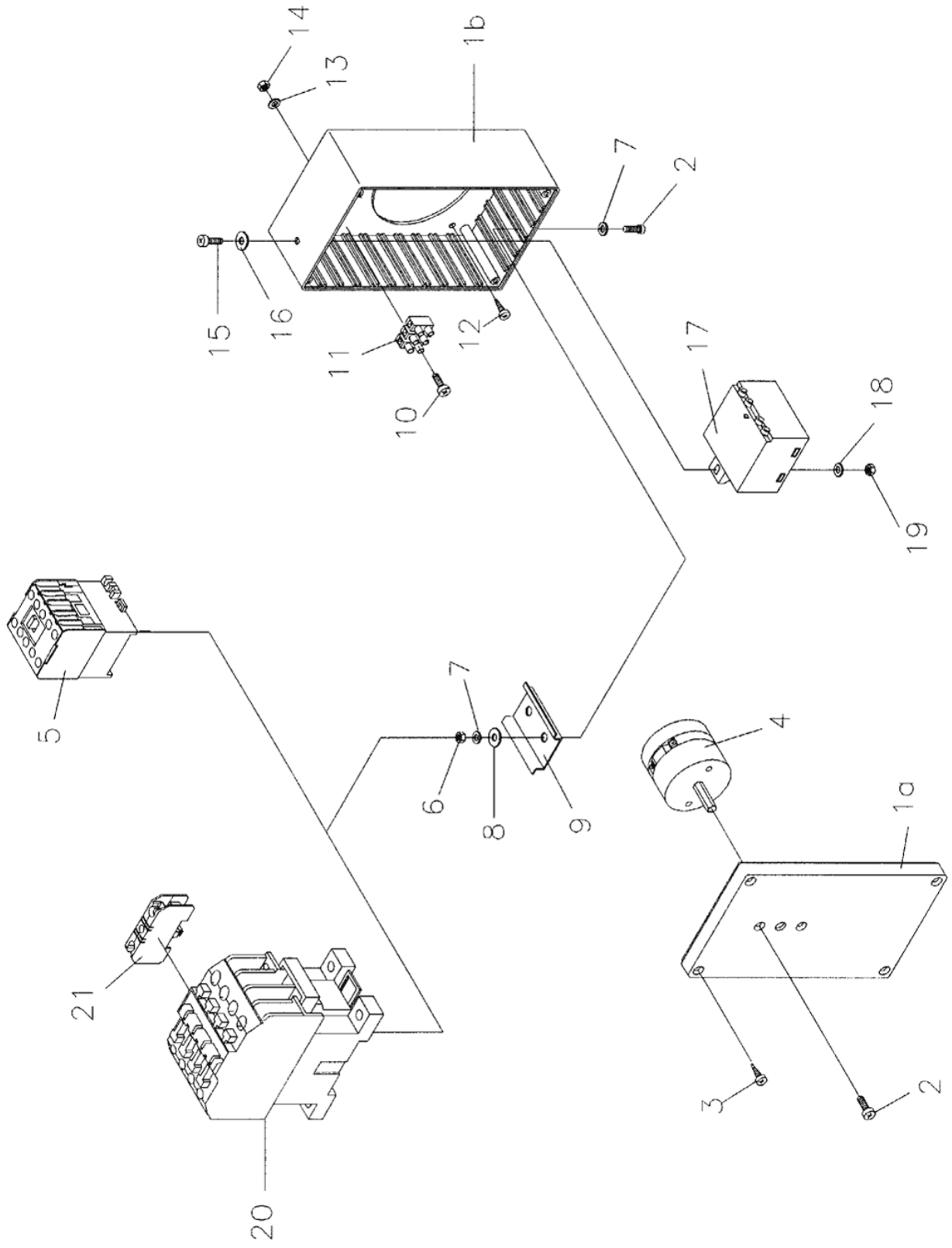
Pos.	Ref. no.	Bezeichnung Description	310	330	350
0	06120282	O-RING, 14X1,78 O-RING, 14X1,78	1	1	1
01	06181279	STEMPELSTYR, G-3/4/880 PISTON GUIDE, G-3/4/880	1	1	1
02	06120408	O-RING, 2,90X1,78 70 O-RING, 2,90X1,78 70	1	1	1
03	06181101	PROP FOR STEMPELSTYR, Ø17,9X14,0 PLUG FOR PISTON GUIDE, Ø17,9X14,0	1	1	1
04	06070451	UNBRACO SKRUE, M8X45 ALLEN SCREW, M8X45	4	4	4
05	06261494	OLIEFTAPNINGSPROP KPL., 3/400,881,4001 DRAIN PLUG CPL., 3/400,881,4001	1	1	1
06	06261718	OLIEGLASKIT OIL GLASS KIT	1	1	1
06C	06120466	O-RING, 18,72X2,62 O-RING, 18,72X2,62	1	1	1
07	06280143	TILHOLDERFJEDER, 31X3,5X59 6,5VI PRESSURE SPRING, 31X3,5X59 6,5VI	3	3	3
07	06280151	TILHOLDERFJEDER, 1X110-115V PRESSURE SPRING, 1X110-115V	3		
10	06261683	KIT FOR TRYKLEJE, 310 KIT FOR THRUST BEARING, 310	1		
10	06261684	KIT FOR TRYKLEJE, 350/400/4000 KIT FOR THRUST BEARING, 350/400/4000	1	1	1
10-14	06261674	SKRÅKIVEKIT CAM DISC KIT	1		
10-14	06261675	SKRÅKIVEKIT, 7.52 CAM DISC KIT, 7.52			1
10-14	06261676	SKRÅKIVEKIT, 6.32 CAM DISC KIT, 6.32	1		1
10-14	06261824	SKRÅKIVEKIT, 5.05 CAM DISC KIT, 5.05	1		
10-14	06261825	SKRÅKIVEKIT, 7.29 CAM DISC KIT, 7.29			1
10-14	06261826	SKRÅKIVEKIT, 6.18 CAM DISC KIT, 6.18	1		1
10-14	06261827	SKRÅKIVEKIT, 6.81 CAM DISC KIT, 6.81		1	
11-35	06360553	MOTOR, KPL., 1X230-240V/50HZ MOTOR, CPL., 1X230-240V/50HZ		1	
11-35	06360559	MOTOR, KPL., G310 1X110/115V-50HZ MOTOR, CPL., G310 1X110/115V-50HZ	1		
11-35	06360560	MOTOR, KPL., G310 1X110/115V-50HZ MOTOR, CPL., G310 1X110/115V-50HZ	1		

Motor / Motor / Moteur / Moteur

Pos.	Ref. no.	Betegnelse Description	Bezeichnung Description	310	330	350
11-35	06360561	MOTOR, KPL., G310 1X230-50HZ MOTOR, CPL., G310 1X230-50HZ	MOTOR EINSCL. BOGENSCHEIBE MOTEUR, CPL., G310 1X230-50HZ	1		
11-35	06360562	MOTOR, KPL., G310 1X230V-60HZ MOTOR, CPL., G310 1X230V-60HZ	MOTOR EINSCL. BOGENSCHEIBE MOTEUR, CPL., G310 1X230V-60HZ	1		
11-35	06360563	MOTOR, KPL., G350 3X230/400/415-50HZ MOTOR, CPL., G350 3X230/400/415-50HZ	MOTOR EINSCL. BOGENSCHEIBE MOTEUR, CPL., G350 3X230/400/415-50HZ	1		
11-35	06360573	MOTOR, KPL., G350 3X230/400/415-60HZ MOTOR, CPL., G350 3X230/400/415-60HZ	MOTOR EINSCHL. BOGENSCHEIBE MOTEUR, CPL., G350 3X230/400/415-60HZ	1		
13	06120413	O-RING, 85X2,5 O-RING, 85X2,5	O-RING 70 GRAD JOINT TORIQUE, 85X2,5	1	1	1
15	06070800	UNBRACO SKRUE, M6X30 ALLEN SCREW, M6X30	IMBUSS 8,8 GALV VIS A TETE CYLINDRIQUE, M6X30	6	6	6
16	06080220	KOBBERSKIVE, Ø6,4XØ12,5X0,8 COPPER DISC, Ø6,4XØ12,5X0,8	FEDERSKEIBE KUPFER DISQUE EN CUIVRE, Ø6,4XØ12,5X0,8	6	6	6
17	06270237	ROTOR M/AKSEL, 1X115/230 50/60 ROTOR WITH AXLE, 1X115/230 50/60	ROTOR EINSCHL. WELLE ROTOR A. ARBRE, 1X115/230 50/60	1		
17	06270245	ROTOR M/AKSEL, 1X115/230 50/60 ROTOR WITH AXLE, 1X115/230 50/60	ROTOR MIT WELLE " ROTOR A. ARBRE, 1X115/230 50/60		1	
17	06270246	ROTOR M/AKSEL, 3X400/415 ROTOR WITH AXLE, 3X400/415	ROTOR EINSCHL. WELLE ROTOR A. ARBRE, 3X400/415			1
18	06140039	KUGLELEJE BALL BEARING	KUGELLAGER 6205 ZZR.C3.L12 BUTEE	1	1	1
20	06270030	DRIFTSKONDENSATOR, 230V/50HZ WORKING CAPACITOR, 230V/50HZ	KONDENSATOR BETRIEB 1X220/240 V CONDENSATEUR DE MARCHE, 230V/50HZ	1		
20	06270070	DRIFTSKONDENSATOR, 230-240V/50HZ WORKING CAPACITOR, 230-240V/50HZ	BETRIEBSKONDENSATOR F/3HK TT. 50 MF CONDENSATEUR DE MARCHE, 230-240V/50HZ		1	
20	06270253	DRIFTSKONDENSATOR	BETRIEBSKONDENSATOR CONDENSATEUR DE MARCHE ME Z	1		
20	06270255	DRIFTSKONDENSATOR, 115V/60HZ WORKING CAPACITOR, 115V/60HZ	BETRIEBSKONDENSATOR CONDENSATEUR DE MARCHE, 115V/60HZ	1		
20	06270256	DRIFTSKONDENSATOR, 110V/50HZ WORKING CAPACITOR, 110V/50HZ	BETRIEBSKONDANSATOR CONDENSATEUR DE MARCHE, 110V/50HZ	1		
21	06120443	PAKNING, 50 GR GASKET, 50 GR	DICHTUNG F. MOTOR JOINT, 50 GR	1	1	1
22	06080004	SPÆNDESKIVE, 8,4X17X1,6 TENSION DISC, 8,4X17X1,6	FEDERSKEIBE, GALV. RONDELLE DE SERRAGE, 8,4X17X1,6	4	4	4
23	06080038	MØTRIK, M8 NUT, M8	SELBSTSCHLIESSENDE MUTTER, GALV. ECROU, M8	4	4	4
24	06070392	SKRUE, 5X10 SCREW, 5X10	TAP TITE P/K, GALV. VIS, 5X10	2	2	2
25	06080088	STJERNESKIVE, GALV., Ø5 TOOTH LOCK WASHER, GALV., Ø5	STERNSCHEIBE, GALV. RONDELLE A DENTS, Ø5	2	2	2
26	06181147	AFSTANDSSKRUE, 11X18 DISTANCE SCREW, 11X18	ABSTANDSSCHRAUBE VIS DE REGLAGE, 11X18	2	2	2

Motor / Motor / Moteur

Pos.	Ref. no.	Betegnelse Description	Bezeichnung Description	310	330	350
27	06270236	N-FLANGE N-FLANGE	N-FLANSCH N-BRIDE	1	1	1
28	06270238	VENTILATORVINGE, PLAST FAN BLADE, PLAST	VENTILATORFLUEGEL AILETTE SOUFFLANTE, PLAST	1	1	1
29	06270259	VENTILATIONSDEKSEL, MEZ 90/100 FAN COVER, MEZ 90/100	VENTILATIONSDECKEL COUVERCLE A VENTILATION, MEZ 90/100	1	1	1
30	06070466	SKRUE, 4X12 SCREW, 4X12	TAP TITE P/K, GALV. VIS, 4X12	2		2
30	06070811	MØTRIK, M4X16 NUT, M4X16	ECROU, M4X16		2	
31	06080014	SPÆNDESKIVE, M4 TENSION DISC, M4	FEDERSCHEIBE, GALV. RONDELLE DE SERRAGE, M4	2	2	2
32	06080046	STJERNESKIVE, M4 TOOTH LOCK WASHER, M4	STERNESCHEIBE, GALV. RONDELLE À DENTS, M4	2	2	2
33	06070358	SKRUE, 5X16 SCREW, 5X16	SCHRAUBE P/H 5X16 HFC 9041 VIS, 5X16	1	1	1
34	06080014	SPÆNDESKIVE, M4 TENSION DISC, M4	FEDERSCHEIBE, GALV. RONDELLE DE SERRAGE, M4	1		1
34	06080103	SPÆNDESKIVE, M5 TENSION DISC, M5	FEDERSCHEIBE, GALV. RONDELLE DE SERRAGE, M5		1	
35	06200380	SPÆNDESTYKKE RECTANGULAR WASHER	SPANNSTUECK PIECE DE SERRAGE	1		1
36	06181239	MANOMETERFORSKRUNING, 27X38 PRESSURE GAUGE SCREW, 27X38	VERSCHRAUBUNG FÜR ÖLGLAS RACCORD DE MANOMETRE, 27X38	1		1
36	06181240	FORSKRUNING FOR MANOMETER, 27X82 SCREWER CONNECTION FOR PRESSURE GAUGE,	VERSCHRAUBUNG FÜR ÖLGLAS RACCORD POUR MANOMETRE, 27X82		1	
37	06120466	O-RING, 18.72X2.62 O-RING, 18.72X2.62	O-RING JOINT TORIQUE, 18.72X2.62	1	1	1
38	06061313	BESLAG FOR KONDENSATOR, 130X25X3 FITTINGS FOR CONDENSATOR, 130X25X3	ARMATURE P. CONDENSATEUR, 130X25X3	1		
39	06261763	KONDENSATOR, 400 ÁF CAPACITOR, 400 µF	KONDENSATOR KPL. CONDENSATEUR, 400 ÁF	1		
39A	06070742	SKRUE, 6X16 SCREW, 6X16	SCHRAUBE VIS, 6X16	1		
39B	06080157	SPÆNDESKIVE, M6 TENSION DISC, M6	FEDERSCHEIBE, GALV. RONDELLE DE SERRAGE, M6	1		
39C	06080062	MØTRIK, M6 NUT, M6	SELBSTSCHLIESSENDE MUTTER, GALV. ECROU, M6	1		
8+9	06261504	STEMPELKIT 1 STK., G-300/400/4000 PISTON KIT 1 PCS., G-300/400/4000	KIT F. KOLBEN KPL. KIT P. PISTON 1 PCS., G-300/400/4000	3	3	3

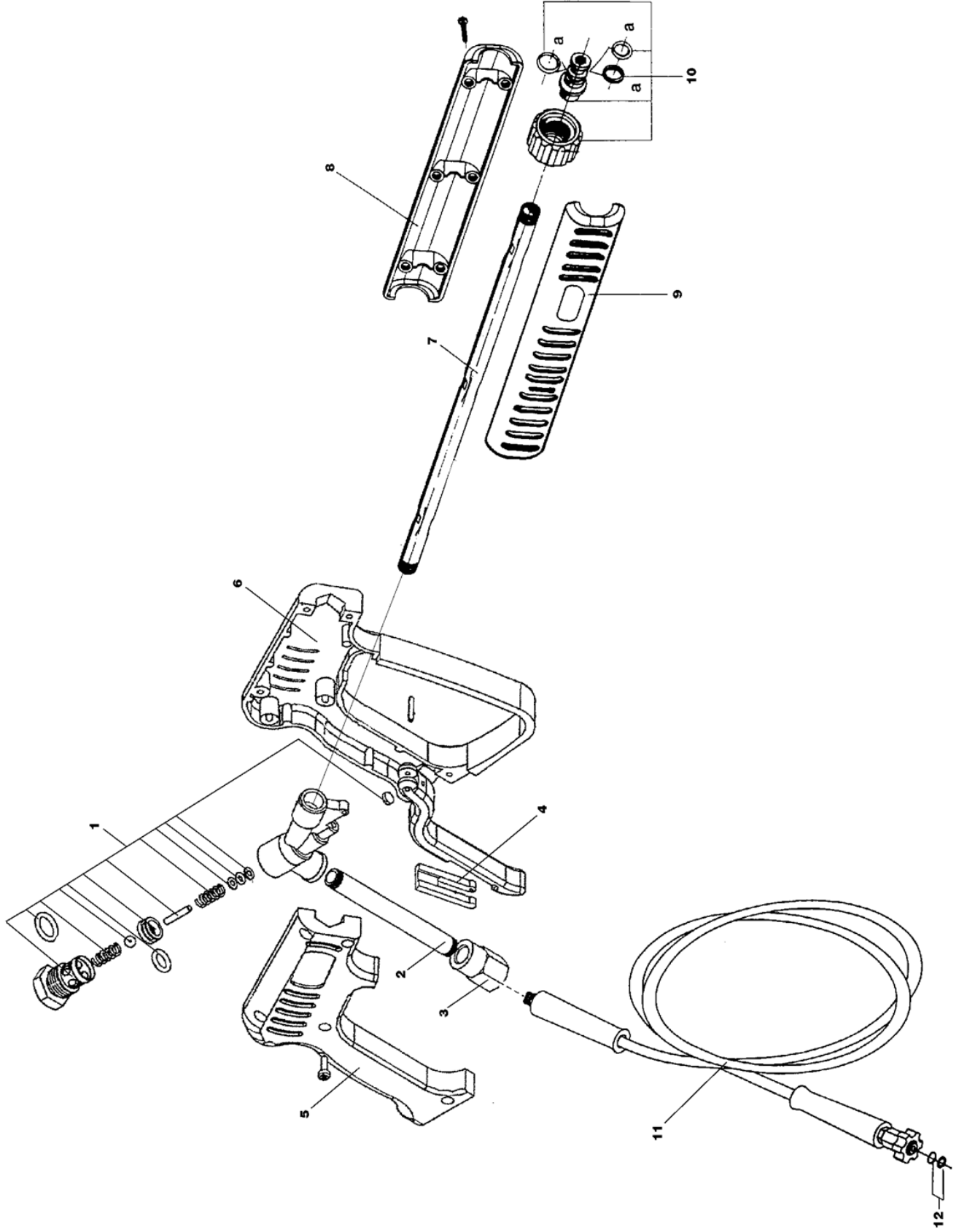


El-komponenter / Electric components / Elektrische komponente / Composantes électrique

Pos.	Ref. no.	Betegnelse Description	Bezeichnung Description	310	330	350
01	06200350	ELKASSE, G 300 ELECTRIC BOX, G 300	DECKEL F. ELEKTROSCHALTKASTEN BOITE ELECTRIQUE, G 300	1	1	1
02	06070340	SKRUE, 4X10 SCREW, 4X10	SCHRAUBE, P/K, GALV. VIS, 4X10	4	4	4
03	06070839	FRANSK SKRUE, 2,9X25 FRENCH SCREW, 2,9X25	VIS FRANCAISE, 2,9X25	4	4	4
04	06261437	OMSKIFTER KOMPLET SWITCH CPL.	UMSCHALTER INTERRUPTEUR CPL.	1	1	1
05	06160898	KONTAKTOR, 240V CONTACTOR, 240V	KONTAKT CONTACTEUR, 240V	1		1
05	06160900	KONTAKTOR, 400/415V CONTACTOR, 400/415V	KONTAKT CONTACTEUR, 400/415V			1
06	06080056	MØTRIK, M4 NUT, M4	MUTTER, GALV. ECROU, M4	2	2	2
07	06080014	SPÆNDESKIVE, M4 TENSION DISC, M4	FEDERSKEIBE, GALV. RONDELLE DE SERRAGE, M4	2	2	2
08	06080008	SPÆNDESKIVE, 10X19X1,5 TENSION DISC, 10X19X1,5	FEDERSKEIBE, GALV. RONDELLE DE SERRAGE, 10X19X1,5	4	4	4
09	06160909	DIN-SKINNE, 7,5X45 MM DIN RAIL, 7,5X45 MM	DIN GLEIS DIN CERCLE, 7,5X45 MM	1	1	1
10	06070512	SKRUE, 3X16 SCREW, 3X16	TAP TITE, P/K VIS, 3X16	2	2	2
11	06160915	KLEMRÆKKE TERMINAL STRIP	KLEMMENREIHE BARRETTE DE JONCTION	1	1	1
12	06070480	SKÆRESKRUE, SORTZINK, 4X20 SCREW, BLACK ZINC, 4X20	SCHNEIDSCHRAUBE, SCHWARZZINK VIS CONIQUE ZINC NOIR, 4X20	4	4	4
13	06080158	STJERNESKIVE, M3 TOOTH LOCK WASHER, M3	STERNSCHEIBE TYP I M3 RONDELLE À DENTS, M3	2	2	2
14	06080055	MØTRIK, M3 NUT, M3	MUTTER GALV. ECROU, M3	2	2	2
15	06070518	SKRUE, M3X16 SCREW, M3X16	SCHRAUBEN ROSTFREI VIS, M3X16	1		
16	06080183	SKIVE, M3 WASHER, M3	SCHEIBE RONDELLE, M3	1		
18	06080158	STJERNESKIVE, M3 TOOTH LOCK WASHER, M3	STERNSCHEIBE TYP I M3 RONDELLE À DENTS, M3	1		
19	06080055	MØTRIK, M3 NUT, M3	MUTTER GALV. ECROU, M3	1		
20	06160174	KONTAKTOR, 1X230-240V 50-60 HZ CONTACTOR, 1X230-240V 50-60 HZ	SCHUETZ DANFOSS CONTACTEUR, 1X230-240V 50-60 HZ		1	
21	06160509	HJÆPEKONTAKTOR CB/NO AUXILIARY CONTACTOR	HILFSSCHUETZ CONTACTEUR AUXILIAIRE			1

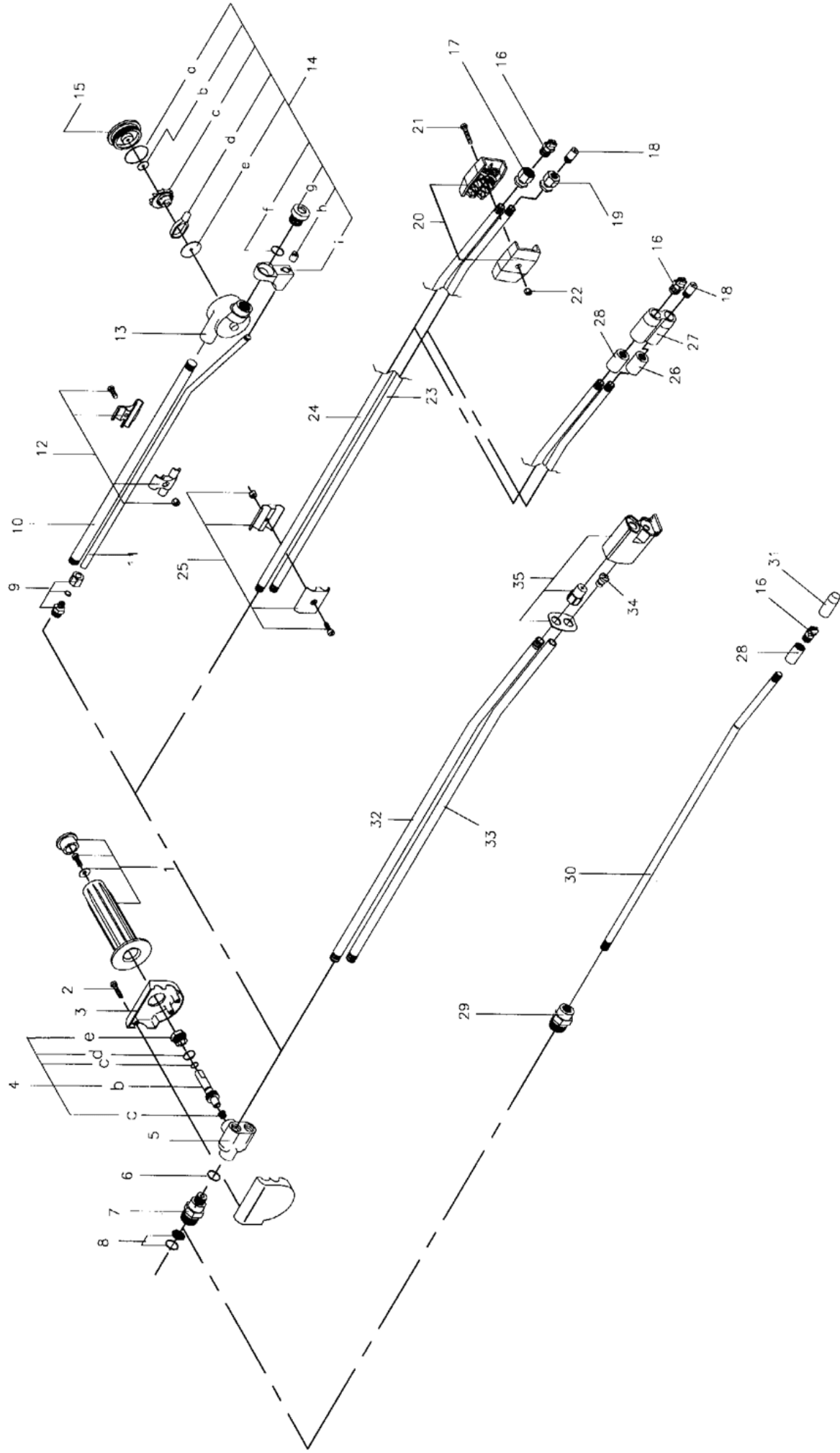
Pistol RL24 / Pistol RL24 / Pistole RL24 / Pistolet RL24

Pos.	Ref. no.	Betegnelse Description	Bezeichnung Description	310	330	350
01	06290026	PISTOL RL 24 3/8 PISTOL RL 24 3/8	PISTOLE RL24 PISTOLET RL 24 3/8	1	1	1
02	06261567	SKRUEKOBLING	SCHRAUBENKUPPLUNG RACCORD VIS G3000=261568 S	1	1	1
02A	06261546	PAKNINGSSKIT F. SKRUEKOBL. GASKET KIT FOR SCREW COUPLING	KIT F. O-RING SCHRAUBENKUPPLUNG KIT DE JOINT POUR RACCORD A VIS	1	1	1
03	06200409	PISTOLKROP PISTOL HOUSING	PISTOLKÖRPER LINKS CORPS DE PISTOLET	1	1	1
04	06120513	TRYKBRIK PUSH BROACH	DRUCKUNTERSATZ RONDELLE DE PRESSION	1	1	1
05	06050977	TILGANGSRØR INLET PIPE	EINLASSROHR TUYAU D'ENTRE	1	1	1
06	06290037	DREJELED SWIVEL	KIT FÜR DREHGELENK RL24 RACCORD TOURNANT	1	1	1
07	06200413	SIKKERHEDSLAS	SICHERHEITSSCHLOSS JOINT D'ARRÊT DE SURETE	1	1	1
08	06200411	AFTRÆKKER PULLER	PISTOL SCHALTHEBEL DETENTE	1	1	1
09	06200416	LÅSEPAL LOCKING PAWL	VERSLUSS-SPERRKNEBEL CLIQUET D'ARRÊT	1	1	1
10	06070835	SKRUE, 3,5X18 SCREW, 3,5X18	SCREW 3,5X18 VIS, 3,5X18	13	13	13
11	06200410	PISTOLKROP	PISTOLKÖRPER RECHTS CARTER POIGNEE DROITE	1	1	1
12	06200416	LÅSEPAL LOCKING PAWL	VERSLUSS-SPERRKNEBEL CLIQUET D'ARRÊT	1	1	1
13	06200414	KAPPE FOR FORRØR VENSTRE	KAPPE FÜR VORRÖHRE LINKS MANTEAU P. TUYAU AVANT GA UCHE	1	1	1
13	06200415	KAPPE CAP	KAPPE FÜR FOHRROHR RECHTS MANTEAU	1	1	1
14	06050978	FORRØR FOR PISTOL FRONT PIPE FOR PISTOL	VORDERROHR F. PISTOLE TUBE AVANT P. PISTOLET	1	1	1
16	06110476	HØJTRYKSSLANGE, DN8X8M HIGH PRESSURE HOSE, DN8X8M	HÖCHDRUCKSCHLAUCH M. SCHRAUBENKUPPLUNGEN TUYAU HAUTE PRESSION, DN8X8M	1	1	1
16A	06260936	PAKNINGSSKIT F. SKRUEKOBL. GASKET KIT FOR SCREW COUPLING	DICHTUNGSSKIT F. SCHRAUBENKUPPLUNG KIT DE JOINT POUR RACCORD A VIS	1	1	1
1A-L	06261548	SERVICEKIT F. PISTOL RL24 SERVICE KIT FOR PISTOL , RL24	KIT F. PISTOLE RL-24 KIT DE SERVICE P. PISTOLET , RL24	1	1	1



Pistol 98 / Pistol 98 / Pistole 98 / Pistol 98

Pos.	Ref. no.	Betegnelse Description	Bezeichnung Description	310	330	350
0	06290028	PISTOL ASTRA 320 3/8 PISTOL, 98	PISTOLE ASTRA 320 PISTOLET, 98	1		
01	06261543	SERVICEKIT F. PISTOL MTM SERVICE KIT FOR PISTOL , MTM	KIT F. PISTOLE MTM KIT DE SERVICE P. PISTOLET , MTM	1		
02	06050981	TILGANGSRØR INLET PIPE	EINLASSROHR F. PISTOL TUYAU D'ENTRE	1		
03	06261950	DREJELED, KPL. SWIVEL, CPL.	DREHGELENK JOINT TOURNANT, CPL.	1		
04	06200384	SIKKERHEDSPAL SAFETY LOCK	SPERRVORRICHTUNG CLIQUET D'ARRET	1		
05	06200420	PISTOLKROP PISTOL HOUSING	PISTOLKÖRPER RECHTS CORPS DE PISTOLET	1		
06	06200421	PISTOLKROP PISTOL HOUSING	PISTOLKÖRPER LINKS CORPS DE PISTOLET	1		
07	06050980	FORRØR FOR PISTOL FRONT PIPE FOR PISTOL	VORDERROHR F. PISTOLE TUBE AVANT P. PISTOLET	1		
08	06200423	KAPPE VENSTRE CAP LEFT	KAPPE FÜR FOHRROHR LINKS MANTEAU GAUCHE	1		
09	06200422	KAPPE, HØJRE CAP, RIGHT	KAPPE FÜR VORROHR RECHTS MANTEAU, DROITE	1		
10	06261568	SKRUEKOBLING FOR PISTOL SCREW COUPLING FOR PISTOL	SCHRAUBENKUPPLUNG F. PISTOLE RACCORD A VIS P. PISTOLET	1		
10A	06261547	PAKNINGSKIT F. SKRUEKOBL. GASKET KIT FOR SCREW COUPLING	SCHRAUBKUPPLUNG KIT DE JOINT POUR RACCORD A VIS	1		
11	06110626	HØJTRYKSSLANGE, 3/8"X 3/8" NIPPEL, Ø8 MM 8 M HIGH PRESSURE HOSE, 3/8"X3/8" NIPPLE, Ø8 MM 8 M	HOCHDRUCKSCHLAUCH FLEXIBLE HAUTE PRESSION, 3/8"X 3/8" , Ø8 MM 8 M	1		
12	06260936	PAKNINGSKIT F. SKRUEKOB. GASKET KIT FOR SCREW COUPLING	DICHTUNGSKIT F. SCHRAUBENKUPPLUNG KIT DE JOINT POUR RACCORD A VIS	1		



Spulerør / Lances / Lanzen / Lance

Pos.	Ref. no.	Betegnelse Description	Bezeichnung Description	310	330	350
01	06260232	HANDTAGSKIT F. SPULERØR HANDLE KIT	HANDGRIFFKIT F. DOPPELLANZE KIT DE POIGNEE CPL.	1		1
02	06070479	SKRUE, 4X20 SCREW, 4X20	SCHNEIDSCHRAUBE, SCHWARZZINK VIS, 4X20	3		3
03	06200097	PYNTEDÆKSEL, PISTOL 5 COVER, PISTOL 5	STAUBKAPPE F. VENTILGEHAEUSE COUVERCLE, PISTOL 5	1		1
04	06260860	VENTILSPINDEL KIT VALVE SPINDLE KIT	VENTILSPINDELKIT F. DRUCKREGELUNG KIT DE TIGE DE VANNE	1		1
04C	06120006	O-RING, 6,75X1,78 O-RING, 6,75X1,78	O-RING JOINT TORIQUE, 6,75X1,78	1		1
04D	06120010	O-RING, 13,1X1,6 O-RING, 13,1X1,6	O-RING JOINT TORIQUE, 13,1X1,6	1		1
04E	06190245	MØTRIK NUT	MUTTER F. VENTIL ECROU	1		1
05	06211078	VENTILHUS VALVE HOUSING	VENTILGEHAEUSE, KPL. CORPS DE VANNE	1		1
06	06120188	O-RING, 10X2 O-RING, 10X2	O-RING JOINT TORIQUE, 10X2	1		1
07	06030484	SKRUEKOBLING 1/4 UDV. SCREW COUPLING ROTATABLE, 1/4"	SCHR.KUPPLUNG DREHBAR F.DOPPELLANZE RACCORD A VIS TOURNANT, 1/4"	1		1
08	06100332	FILTER FOR TURBO LASER FILTER FOR TURBO LASER	FILTER F. TURBO LASER M. O-RING FILTRE P. TURBO LASER	1		1
08A	06120139	O-RING, 10X1 O-RING, 10X1	O-RING JOINT TORIQUE, 10X1	1		1
09	06030527	BRYSTNIPPEL, 8X1/4" BREAST NIPPLE, 8X1/4"	GEWINDESTUECK RACCORD A VIS, 8X1/4"	1		1
1-15	06261461	TURBO LASER M TRYKREG. - SKRUE - 600 MM, 4.5+ TURBO LASER W. PRES. REG. - SCREW - 600 MM, 4.5+	TURBO LASER 600 MM TURBO LASER-REG. DE PRES.-RAC. A VIS-600 MM-4.5+	1		1
1-15	06261732	TURBO LASER, 600 MM TURBO LASER, 600 MM	TURBO LASER 600 MM TURBO LASER, 600 MM			1
1-15	06261868	TURBO LASER, 600 MM 230V, 60 HZ TURBO LASER, 600 MM 230V, 60 HZ	TURBO LASER TURBO LASER, 600 MM 230V, 60 HZ		1	
1-8,	06260758	DOBBLT SPULERØR 600MM EXCL.TRYKDYSE DOUBLE LANCE - PRES. REG.- SCREW -600 MM,	DOPPELLANZE LANCE DOUBLE-REG. DE PRES-RAC.A VIS-600 MM -	1	1	1
10	06050841	SPULERØR LIGE, Ø13X1,5X586 LANCE STRAIGHT, Ø13X1,5X586	LANZE GERADE TURBO LASER LANCE DROITE, Ø13X1,5X586	1		1
11	06050842	KEMIRØR 15 GR. BUK, Ø8X1X622 DETERGENT PIPE 15 DEG., Ø8X1X622	REI.MITTLEROHR 15 GR. VERB. F. T. L. TUYAU DETERGENT, 15 DE, Ø8X1X622	1		1
12	06261130	BESLAG FOR TURBO LASER FITTINGS FOR TURBO LASER	BESCHLAG F. TURBO LASER ROHR ARMATURE P. TURBO LASER	1		1
13	06261289	TURBO LASER HUS, Ø2,7 MAX 720 L TURBO LASER HOUSING, Ø2,7 MAX 720 L	GEHAEUSE F. TURBO-LASER CORPS TURBO LASER, Ø2,7 MAX 720 L	1		1
14	06261459	TURBO LASER KIT, 4.5+ TURBO LASER KIT, 4.5+	SERVICEKIT F. TURBO LASER KIT DE SERVICE POUR TURBO LASER-4.5+	1		1

Spulerør / Lances / Lanzen / Lance

Pos.	Ref. no.	Betegnelse Description	Bezeichnung Description	310	330	350
14	06261735	SERVICE KIT F. TURBOLASER SERVICE KIT FOR TURBO LASER	SERVICEKIT F. TURBO LASER KIT DE SERVICE P. TURBO LASER			1
14	06261871	SERVICEKIT FOR TURBO LASER, 261867-68-69-70 SERVICE KIT FOR TURBO LASER, 261867-68-69-70	SERVICEKIT F. TURBO LASER KIT DE SERVICE P. TURBO LASER, 261867-68-69-70	1		
14A	06120544	O-RING, 36.0X1,78 O-RING, 36.0X1,78	JOINT TORIQUE, 36.0X1,78	1		1
14F	06120282	O-RING, 14X1,78 O-RING, 14X1,78	O-RING JOINT TORIQUE, 14X1,78	1		1
14H	06180533	DYSE, Ø10X12 NOZZLE, Ø10X12	DUESE GICLEUR, Ø10X12	1		1
15	06180936	LÅG FOR TURBO LASER COVER FOR TURBO LASER	DECKEL F. TURBO LASER, BEARBEITET COUVERCLE P. TURBO LASER	1		1
16	06090202	DYSE HÆRDET 1/4-1504,5 FLAT JET NOZZLE 15°, 4,5	FLACHSTRAHLDUJSE 15° GICLEUR JET PLAT - 15°-4,5	1		
16	06090233	DYSE HÆRDET 1/4-1504 FLAT JET NOZZLE 15°, 4	DUESE ABGEHAERTET GICLEUR JET PLAT - 15°-4,0		1	1
17	06180780	DYSEHOLDER, 17X20 NOZZLE HOLDER, 17X20	DUESENHALTER F/HOCHDRUCKDUJSE SUPPORT DE GICLEUR, 17X20	1		1
18	06180779	KEMIDYSE, Ø10X22 DETERGENT NOZZLE, Ø10X22	REINIGUNGSMITTELDUESE GICLEUR DE DETERGENT, Ø10X22	1	1	1
19	06180781	DYSEHOLDER FOR KEMI, 17X20 NOZZLE HOLDER FOR DETERGENTS, 17X20	DUESENHALTER F/REINIGUNGSMITTEL SUPPORT DE GICLEUR P/DETERGENT, 17X20	1		1
20	06200226	DYSEBESKYTTER NOZZLE PROTECTION, PLASTIC	DUESENSCHUTZ KUNSTSTOFF PROTECTION DE GICLEUR, PLASTIQUE	2		2
21	06070497	SKRUE, 5X22 SCREW, 5X22	SCHRAUBE, ROSTFREI, Z/K VIS, 5X22	1		1
22	06080123	MØTRIK, M5 NUT, M5	MUTTER, ROSTFREI ECROU, M5	1		1
23	06050941	KEMI-RØR, RUSTFRI, Ø13X1,5X591 DETERGENT PIPE, STAINLESS, Ø13X1,5X591	DOPPELLANZE TUYAU DE DETERGENT INOX, Ø13X1,5X591	1	1	1
24	06050940	SPULERØR, RUSTFRI, Ø13X1,5X596 LANCE, STAINLESS, Ø13X1,5X596	DOPPELLANZE LANCE INOX, Ø13X1,5X596	1	1	1
25	06260537	BESLAG F. DOBB. SPULERØR FITTINGS FOR DOUBLE LANCE	BESCHLAG F/DOPPELLANZE TURBO ARMATURE P. LANCE DOUBLE	1	1	1
26	06181232	DYSEHOLDER FOR KEMI, Ø18X26 NOZZLE HOLDER FOR DETERGENTS, Ø18X26	DUESENHALTER F. REINIGUNGSMITTELDUESE SUPPORT DE GICLEUR P/DETERGENT, Ø18X26	1	1	1
27	06200374	DYSEBESKYTTER DOBBELT NOZZLE PROTECTION, PLASTIC, DOBBLE	DUESENSCHUTZ - DOBBELT PROTECTION DE GICLEUR, PLASTIQUE, DOBBLE	1	1	1
28	06030643	MUFFE FOR SPULERØR, Ø10 SOCKET FOR LANCE, Ø10	MUFFE F. LANZE MANCHON POUR LANCE, Ø10	1	1	1
28	06181233	DYSEHOLDER, Ø18X26 NOZZLE HOLDER, Ø18X26	DUESENHALTER F. HOCHDRUCKSDUESE SUPPORT DE GICLEUR, Ø18X26	1		1
28-31	06260382	ENKELT SPULERØR 600 MM SINGLE LANCE - SCREW - 600 MM, EXCL.NOZ	EINZELLANZE LANCE SIMPLE, RACCORD A VIS - 600 MM-S/GIC.	1	1	1

Spulerør / Lances / Lanzen / Lance

Pos.	Ref. no.	Betegnelse Description	Bezeichnung Description	310	330	350
29	06030485	SKRUEKOBLING, 1/4" INDV. SCREW COUPLING, 1/4"	SCHRAUBENKUPPLUNG, NICHT DREHBAR RACCORD A VIS, 1/4"	1	1	1
30	06050116	SPULERØR, RUSTFRI, Ø13X586 LANCE, STAINLESS, Ø13X586	LANZE, ROSTFREI LANCE INOX, Ø13X586	1	1	1
31	06200375	DYSEBESKYTTER ENKELT NOZZLE PROTECTION, PLASTIC, SINGLE	DUESESCHUTZ PROTECTION DE GICLEUR, PLASTIQUE, SINGLE	1	1	1