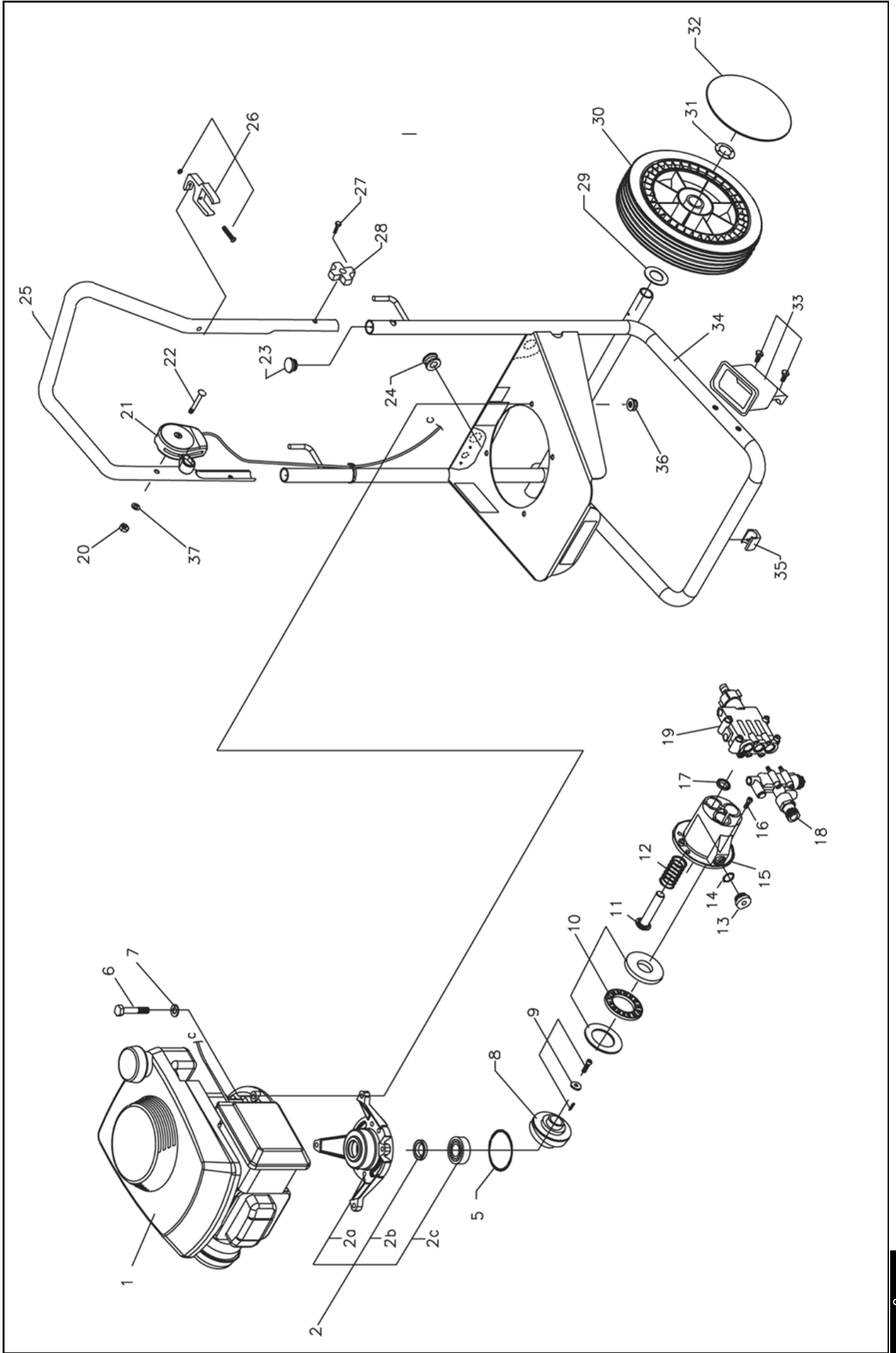

N/G- 260 PX

Reservedelsliste
Spare parts list
Ersatzteilliste
Liste de pièces détachées

Hovedkomponenter / Main components / Hauptkomponente / Composantes hautes	2
Pumpe / Pump / Pumpe / Pomp	5
Pistol / Pistol / Pistole / Pistolet	8
Lanse / Lance / Lanze / Lance	10

Hovedkomponenter / Main components / Hauptkomponente / Composantes hautes



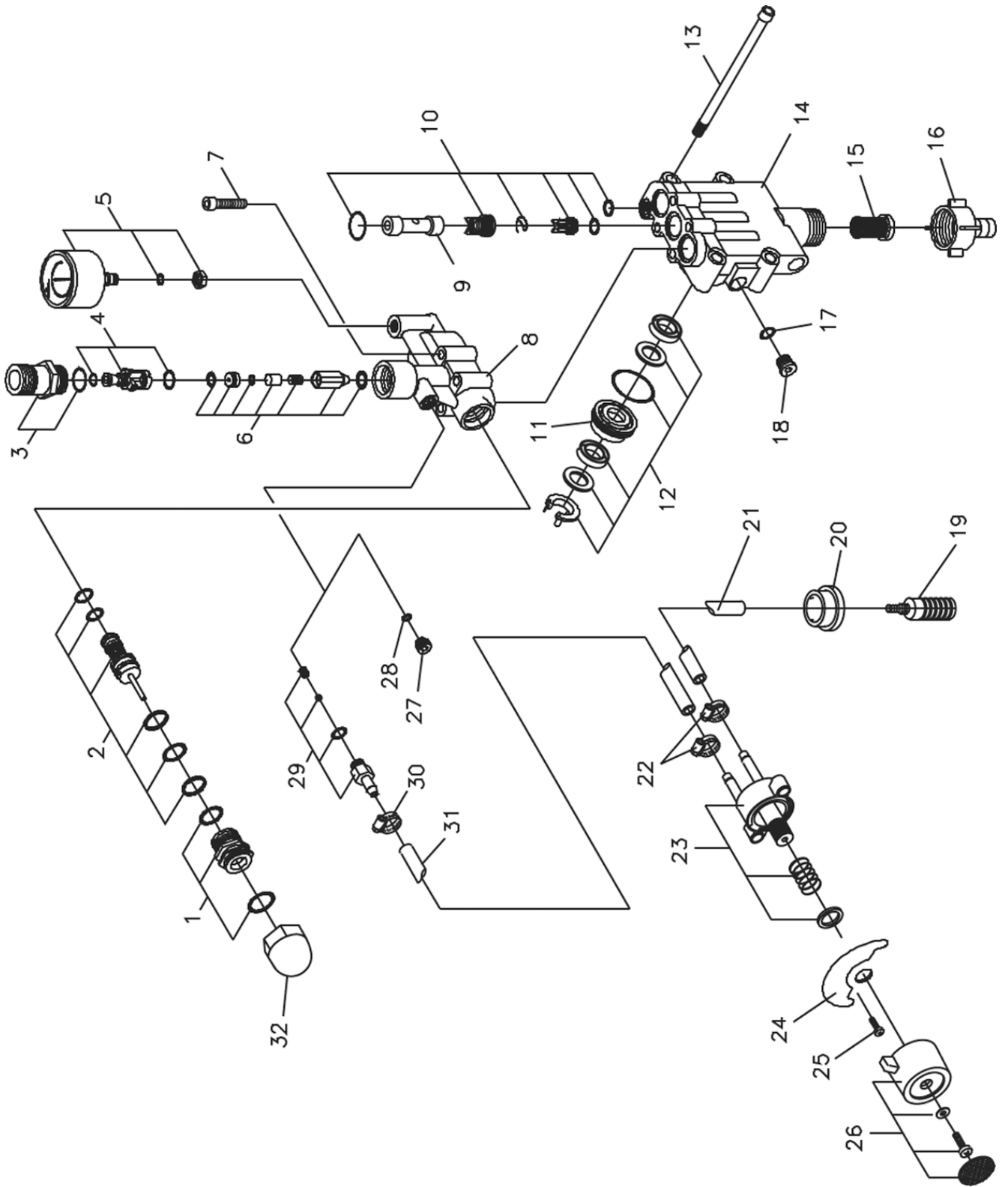
Hovedkomponenter / Main components / Hauptkomponente / Composés hautes

Pos.	Ref. no.	Betegnelse Description	Bezeichnung Description	260 PX
0	06300586	TRANSFER TREKANT "ØMLØB" TRANSFERS "BY-PASS"	KLEBSTREIFEN MAX UMLAUF 5 MIN. AUTOCOLLANT BY-PASS MAX.55 MIN	1
0	06301922	TRANSFERS GERNI TRANSFERS GERNI	KLEBSTREIFEN GERNI AUTOCOLLANT GERNI	1
0	06302088	TRANSFERS, 260PX TRANSFERS, 260PX	KLEBSTREIFEN 260PX AUTOCOLLANT, G260PX	2
0	06302089	TRANSFERS N260PX TRANSFERS, N260PX	KLEBSTREIFEN N260PX AUTOCOLLANT N260PX	1
01	06351027	BENZINMOTOR 5.5HP PETROL MOTOR 5.5 HP	MOTEUR 5.5 HP	1
02	06181609	FLANGE KPL.		1
03	06120581	OLIETÆTNINGSRING, 22,22X34,92X6,3 OIL SEALING RING, 22,22X34,92X6,3	ANNEAU D'ÉTANCHÉITE A HUILE, 22,22X34,92X6,3	1
04	06140066	VINKELKONTAKTLEJE ANGLE SEAT	RACC.	1
05	06120268	O-RING, Ø74,00X2,00 O-RING, Ø74,00X2,00	O-RING JOINT TORIQUE DIAM 7,4 X	1
06	06070388	SÆTSKRUE, GALV., M8X50 SET SCREW, GALV., M8X50	SETZSCHRAUBE, GALV. VIS D'ARRÊT GALV.	4
07	06080004	SPÆNDESKIVE, 8,4X17X1,6 TENSION DISC, 8,4X17X1,6	FEDERSKIBE, GALV. RONDELLE	4
08	06181618	SKRÅSKIVE, 12,00 CAM DISC, 12,00	DISQUE INCLINÉ, 12,00	1
09	06262431		KIT P/RAINURE G 260PX	1
10	06261984	KIT FOR TRYKLEJE KIT FOR THRUST BEARING, 270	KIT F. DRUCKLAGER KIT P/PALIER BUTEE P/2700	1
11	06211655	STEMPEL, KPL. PISTON, CPL.	KOLBEN PISTON	3
12	06280194	TILHOLDER JEDER PRESSURE SPRING	RESSORT D/PRESSION250/270	3
13	06181419	PROP. Ø24X12 PLUG, Ø24X12	BOUCHON 2300/2500/2700	1
14	06120381	O-RING, 18,00X2,00 N70 O-RING, 18,00X2,00 N70	O-RING ¥18X2	1
15	06181405	STEMPELSTYR, 200 PISTON GUIDE, 200	KOLBENFØHRUNG GUIDE PISTON	1
16	06070452	UNBRACO SKRUE, M8X20 ALLEN SCREW, M8X20	IMBUSSBOLZEN, GALV. INTRAVIS 8X20 GALV. GALV.	2
17	06120540	OLIETÆTNINGSRING, Ø14X22X7 OIL SEALING RING, Ø14X22X7	ØDICHTINGSRING JOINT D'HUILE14X22X7/6 14X22X7/6	3
18	06262303	TRYKMANIFOLD, KPL., G200A PORT PRESSURE MANIFOLD, CPL., G200A PORT	COLLECTEUR DE PRESSION, CPL., G200A PORT	1

Hovedkomponenter / Main components / Hauptkomponente / Composates hautes

Pos.	Ref. no.	Betegnelse Description	Bezeichnung Description	260 PX
19	06261908	TOPSTYKKE, KPL., 230/250 CYLINDER HEAD, CPL., 230/250	ZYLINDERKOPF CULASSE DE CYLINDRE CPL.	1
20	06080062	MØTRIK, M6 NUT, M6	SELBSTSCHLIESSENDE MUTTER, GALV. ECROU INDESSERRABLE LAITON	1
21	06351028	GASREGEGLERING, HONDA 5,5GCV REGULATING UNIT, HONDA 5,5GCV	POIGNEE DE REGLAGE G260PX	1
23	06200064	DUPSKO, 25 CAP, 25	KAPPE BOU	2
24	06120336	GUMMIGENNEMFØRING, Ø14XØ24 RUBBER GROMMET, Ø14XØ24	GUMMIDURCHFUEHRUNG TRAVERSEE CAOUTCHOUC	1
25	06050886	KØREHANDTAG, Ø25XØ1124 OPERATION HANDLE, Ø25XØ1124	FAHRHANDGRIFF POIGNEE G 640 - 660 - 690	1
26	06261765	HOLDER FOR PISTOL KPL. HOLDER FOR PISTOL	HALTER F. LANZE SUPPORT DE LANCE	1
27	06070011	SKRUE, M8X30 SCREW, M8X30	SETZSCHRAUBE, GALV. VISE E	2
28	06200206	HANDHJUL HAND WHEEL	HANDRAD MALETTE DE SERRAGE	2
29	06080259		RONDELLE	2
30	06130223	HJUL, 25/47,5-250/65 WHEEL, 25/47,5-250/65	ROUE 2500/2500/2700A	2
31	06080136	LÅSEKIVE U/KAPPE, Ø25 MM LOCK WASHER WITHOUT CAP, Ø25 MM	FEDERTELLERSKEIBE OHNE KAPPE BAGUE DENTEEON ON	2
32	06130224	NAVKAPSEL GRØN, RAL 6005 HUB CAP GREEN, RAL 6005	ENJOLIVEUR ROUE "VERT"	2
32	06130225	NAVKAPSEL BLÅ, RAL 5013 HUB CAP BLUE, RAL 5013	ENJOLIVEUR BLEU, RAL 5013	2
33	06261766	HOLDER FOR SPULERØR HOLDER FOR LANCE	HALTER F. LANZE SUPPORT DE LANCE	1
34	06211728	RAMME SVEJST 260PX FRAME CPL G260PX	RAHMEN KPL. G260PX CADRE CPL. G260PX	1
35	06200535	DUPSKO, Ø25X30 CAP, Ø25X30	PATTE SUPPORT G 260PX	1
36	06080247	MØTRIK, M8 NUT, M8	MUTTER ECROU POUR 230/250	4
37	06080016	SPÆNDESKIVE, 6 MM TENSION DISC, 6 MM	FEDERSKEIBE, GALV. RONDELLE DE SERRAGE	1

Pumpe / Pump / Pumpe / Pomp



Pumpe / Pump / Pumpe / Pomp

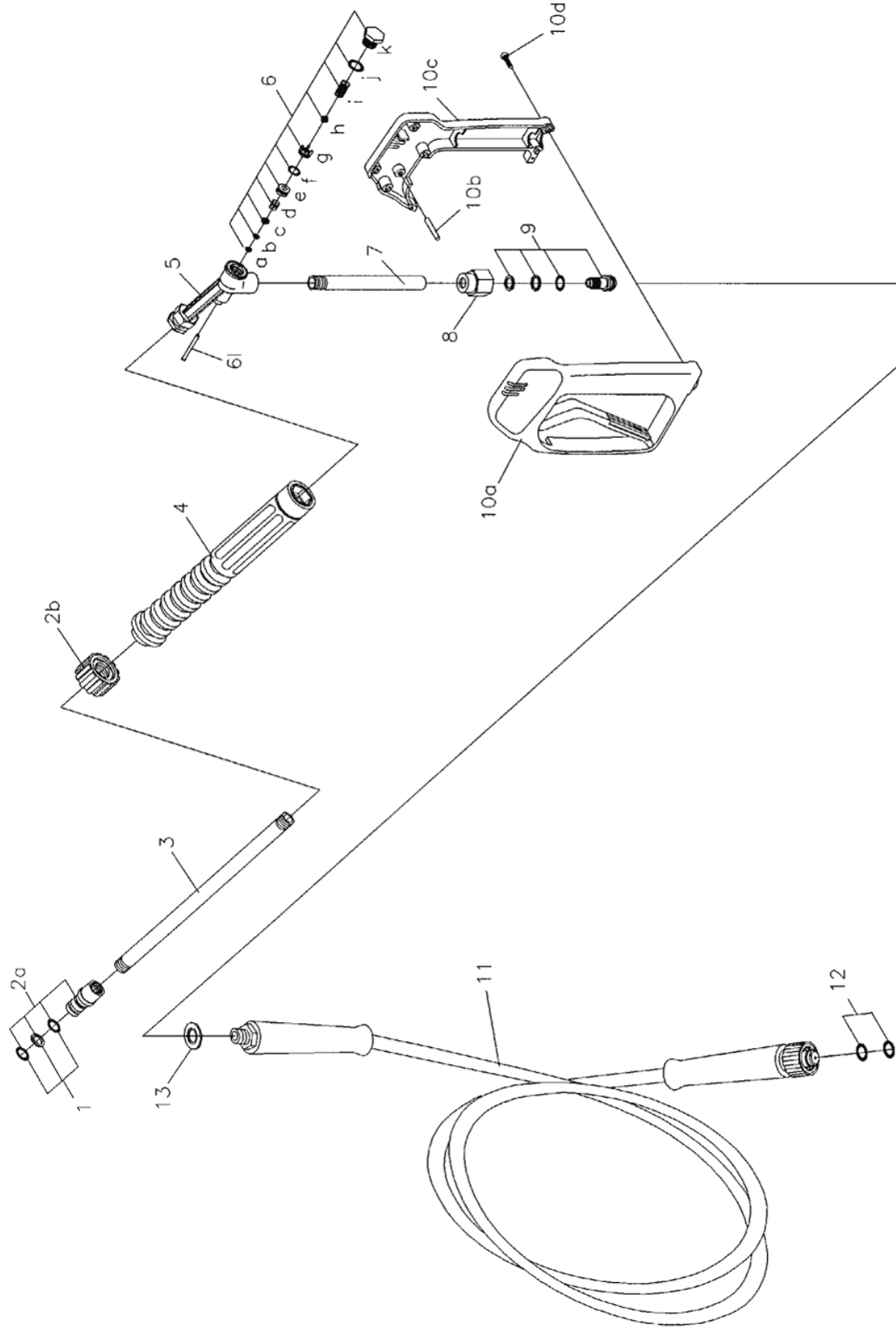
260 PX

Pos.	Ref. no.	Beegnelse Description	Bezeichnung Description	
0	06261897	KIT FOR PUMPE, 230/250/270 KIT FOR PUMP, 230/250/270	PUMPENKIT KIT COUPELLES - CLAPETS	1
01	06211647	FORSKRUNING SCREWED CONNECTION	PFRPFEN RACCORD	1
02	06211648	OMLØBSVENTIL, KPL. BY-PASS VALVE, CPL.	UMLAUFVENTILE BY-PASS	1
03	06211649	AFGANGSSTUDS OUTLET SOCKET	ABLAUFNIPPEL M. O-RING RACCORD DE DEPARTINT TORIINT	1
04	06211678	INJEKTORDYSE INJECTOR NOZZLE	INJEKTORDÜSE GICLEUR D'INJECTEUR NG270	1
05	06211653	MANOMETER, KPL. PRESSURE GAUGE, CPL.	MANOMETER MANOMETRE 2300/2500/2700	1
06	06211658	TRYKFLASTNINGSVENTIL, KPL., G230/250/270 VALVE FOR PRESSURE RELIEF, CPL., G230/250/270	DRUCKENTLASTUNGSVENTIL KPL CLAPET ANTI RETOUR	1
07	06070863	UNBRACO SKRUE, M6X35 ALLEN SCREW, M6X35	INBUSSSCHLÜSSEL VIS A TETE CYLINDRIQUE	4
08	06211654	TRYKMANIFOLD, KPL. PRESSURE MANIFOLD, CPL.	DRUCKMANIFOLD COLLECTEUR DE PRESSION.L.L.	1
09	06180632	AFSTANDSSTYKKE, Ø16X30 DISTANCE PIECE, Ø16X30	ZWISCHENSTUECK ENTRETOISE	1
10	06261899	KIT FOR VENTIL, 230/250/270 KIT FOR VALVE, 230/250/270	VENTILKIT KIT CLAPET	1
11	06181386	MANCETHOLDER, Ø35X14,5 CUP HOLDER, Ø35X14,5	MANSCHEITENHALTER ANNEAU DE COUPELLE	3
12	06261896	KIT FOR MANCHET KIT FOR CUP	MANSCHEITENKIT KIT COUPELLE	1
13	06070867	UNBRACO SKRUE, M8X130 ALLEN SCREW, M8X130	INBUSSSCHLÜSSEL VIS A TETE CYLINDRIQUE	4
14	06181399	TOPSTYKKE, 230/250 CYLINDER HEAD, 230/250	ZYLINDERKOPF CUSASSE	1
15	06100368	FILTER FILTER	WASSERFILTER FILTRE D'EAU	1
16	06030814	SLANGEFORSKRUNING, 3/4-1/2 HOSE SCREWED CONNECTION, 3/4-1/2	SCHLAUCHVERSCHRABUNG JOINT DE TUYAU	1
17	06120446	O-RING, 7,66X1,78 70 O-RING, 7,66X1,78 70	O-RING JOINT TORIQUE	1
18	06200460	RØRPROP, 1/8" PLUG FOR PIPE, 1/8"	ROHRPROPFFEN BOUCHON A VIS 1/8"	1
19	06100316	FILTER FOR KEMI DETERGENT FILTER	REINIGUNGSMITTELFILTER ASPIRATION DETERGENT	1
20	06120380	STOPRING FOR KEMI, Ø30X11 STOP RING FOR DETERGENT, Ø30X11	STOPRING F. REINIGUNGSMITTEL ANNEAU ARRETNT NT	1
21	06110340	ARMERET PLASTSLANGE, 1/4X1150 ARMOURED PLASTIC HOSE, 1/4X1150	TUYAU ARME PLASTIQUE, 1/4X1150	1

Pumpe / Pump / Pumpe / Pomp

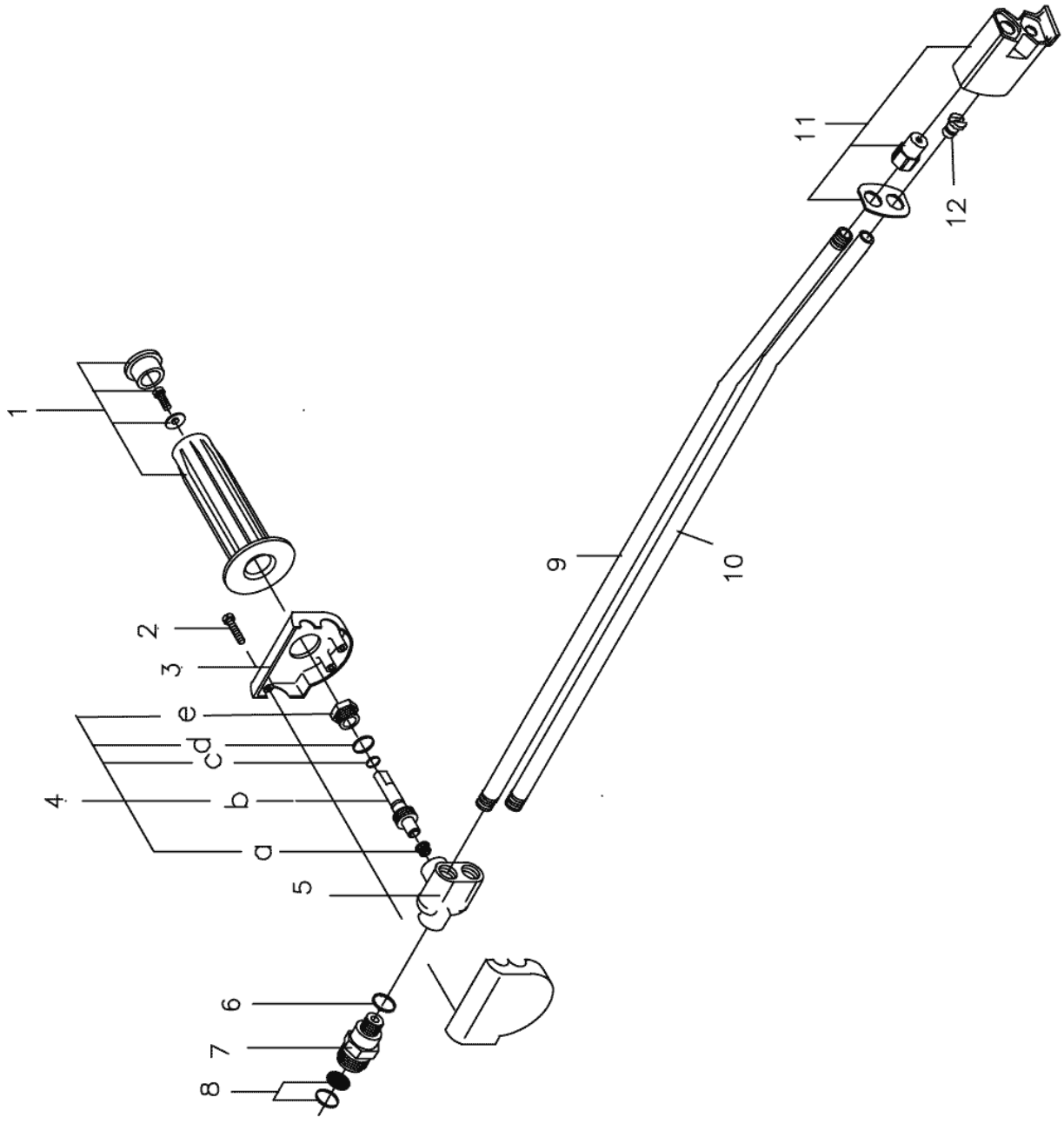
260 PX

Pos.	Ref. no.	Betegnelse Description	Bezeichnung Description	
22	06110494	SPÆNDEBÅND, 10-12 RETAINING RING, 10-12	SCHLAUCHSCHELLE FRETTE	3
23	06211201	PLASTVENTIL KOMPLET PLASTIC DETERGENT VALVE CPL.	PLASTIK REINIGUNGSMITTELVENTIL KPL VANNE PLASTIQUE G-2000/60ST. CPL.	1
24	06301972	TRANSFERS, DETERG TRANSFERS, DETERG	AUTOCOLLANT, DETERG	1
25	06070772	SKRUE, 3,5X20 SCREW, 3,5X20	SCHRAUBE VIS 3,5X20	2
26	06260724	PLASTKNAPKIT BUTTON KIT, PLASTIC	KNOPFKIT, PLASTIK KIT BOUCHON PLASTIC (R.06	1
27	06181061	PROP, 1/8"RGX8 PLUG, 1/8"RGX8	PFROPFEN F. OELMESSTAB CAPUCHON	1
28	06120087	O-RING, 5,28X1,78 O-RING, 5,28X1,78	O-RING JOINT TORIQUE	1
29	06261484	KIT FOR KUGLEKONTRAVENTIL KIT FOR NON-RETURN VALVE	KIT F. RUECKSCHLAGVENTIL KIT VAN.ANTIRET.G300/400 BILLE	1
30	06110494	SPÆNDEBÅND, 10-12 RETAINING RING, 10-12	SCHLAUCHSCHELLE FRETTE	1
31	06110493	KEMISLANGE, 1/4"X350 MM DETERGENT HOSE, 1/4"X350 MM	REINIGUNGSM.SCHLAUCH F. HOCHD.RM. G-6000 TUYAU DETERGENTPRESSION GPRESSION G6000	1
32	06200565	BESKYTTELSESKAPPE, M6X24 PROTECTION CAP, M6X24	CAPUCHON DE PROTECTION, M6X24	1



Pistol / Pistol / Pistole / Pistolet

Pos.	Ref. no.	Betegnels Description	Bezeichnung Description	260 PX
0	06290057	PISTOL - ST 1100 - LANG MED SWIVEL, 22 MM KOBLING PISTOL - ST 1100-LONG W. SWIVEL, 22 MM COUP.	PISTOLE PISTOLET	1
01	06261547	PAKNINGSKIT F. SKRUEKOBL. GASKET KIT FOR SCREW COUPLING	SCHRAUBKUPPLUNG KIT P. JOINTS TORIQUES RACC.A.VIS	1
02	06290062	SKRUEKOBLING SCREW COUPLING	SCHRAUBENKUPPLUNG RACCORD A VIS	1
03	06290066	FORRØR FOR PISTOL FRONT PIPE FOR PISTOL	VORDERROHR F. PISTOLE TUBE PISTOLET	1
04	06290067	KAPPE CAP	ABDECKUNG F. PISTOLE PROTECTION P/PISTOL290057	1
05	06290068	PISTOLKROP PISTOL HOUSING	GEHÄUSE F. PISTOLE CORPS DE PISTOLET	1
07	06290069	TILGANGSRØR INLET PIPE	EINLASSROHR F. PISTOLE TUYAU D ENTREE G230/250/	1
08	06290070	DREJELED SWIVEL	DREHGELENK RACCORD PISTOLET POUR	1
09	06290061	PAKNINGSKIT FOR DREJELED GASKET KIT FOR SWIVEL	SERVICEKIT F. DREHGELENK KIT JOINT RACCORD	1
10	06290063	PISTOLHANDTAG, KPL. PISTOL HANDLE, CPL.	PISTOLENGEHÄUSE POIGNEE DU PISTOL.290057	1
11	06110622	HØJTRYKSSLANG 8M PLAST EXTENSION HOSE, 8 M (EXCL. ADAPTER)	HOCHDRUCKSCHLAUCH FLEXIBLE HP 8 MDIA. 6X8 PDIA. 6X8 PLASTIQUE	1
11	06110626	HØJTRYKSSLANG DN8X8 HIGH PRESSURE HOSE, 3/8"X3/8" NIPPLE, Ø8 MM 8 M	HOCHDRUCKSCHLAUCH FLEXIBLE REMPL.P/110476	1
12	06260936	PAKNINGSKIT F. SKRUEKOB. GASKET KIT FOR SCREW COUPLING	DICHTUNGSKIT F. SCHRAUBENKUPPLUNG KIT JOINT RACCORD VIS VIS	1
13	06120385	USITRING, 24X16,7X1,5 USIT RING, 24X16,7X1,5	USITRING JOINT D'ETANCHEITE G-4000	1
6A-L	06261926	SERVICEKIT FOR PISTOL SERVICE KIT FOR PISTOL	SERVICEKIT F. PISTOLE KIT DE SERVICE POUR	1



Lanse / Lance / Lanze / Lance

Pos.	Ref. no.	Betegnelse Description	Bezeichnung Description	260 PX
01	06260232	HANDTAGSKIT F. SPULERØR HANDLE KIT	HANDGRIFFKIT F. DOPPELLANZE KIT SERVICE AVEC POIGNEENNE DOUBLE	1
02	06070479	SKRUE, 4X20 SCREW, 4X20	SCHNEIDSCHRAUBE, SCHWARZZINK VIS	3
03	06200097	PYNTEDEÆKSEL F. VENTILHUS COVER F. VALVE HOUSING	STAUBKAPPE F. VENTILGEHAE COUVERCLEOR. D. VAN OR. D. VAN	1
04	06260860	VENTILSPINDEL KIT VALVE SPINDLE KIT	VENTILSPINDELKIT F. DRUCKREGELUNG KIT REGLAGE PRESSION DOUBEGL. PRES.	1
05	06211078	VENTILHUS VALVE HOUSING	VENTILGEHAEUSE, KPL. CULASSE LANCE DOUBLE ET	1
06	06120188	O-RING, 10X2 O-RING, 10X2	O-RING JOINT TORIQUE	1
07	06030484	SKRUEKOBLING 1/4 UDV. SCREW COUPLING ROTATABLE, 1/4"	SCHR.KUPPLUNG DREHBAR F.DOPPELLANZE ACCOUPL. VIS TOURNANT DBL LANCE DOUBLE	1
08	06100332	FILTER FOR TURBO LASER FILTER FOR TURBO LASER	FILTER F. TURBO LASER M. O-RING FILTRE TURBO LASER	1
09	06051022			1
10	06051023			1
11	06261967	SPECTRUM KIT, 145 SPECTRUM KIT, 145	SPECTRUM KIT KIT SPECTRUM 401/	1
12	06181434			1