

---

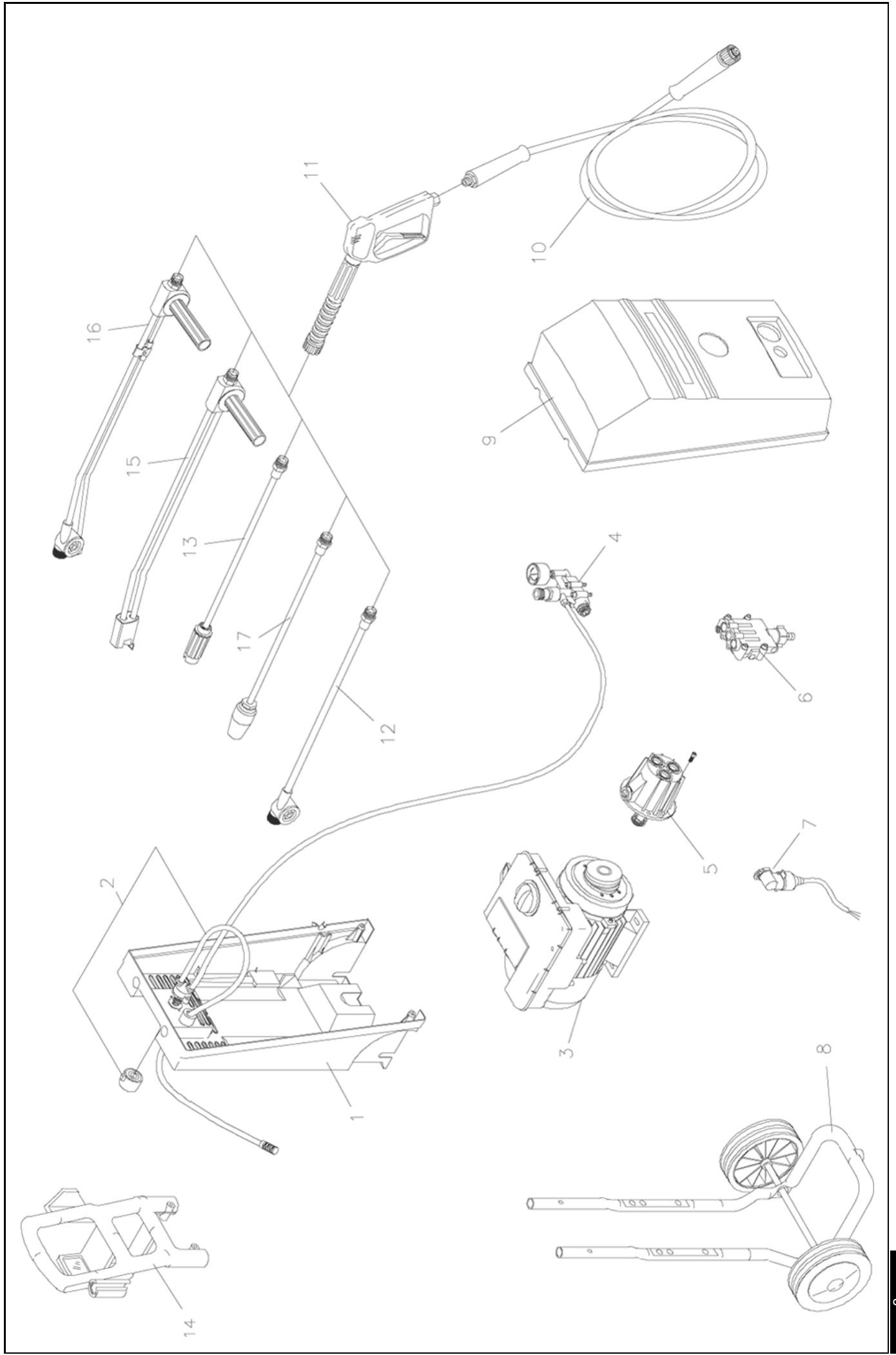
# N/G-230/250/270A/240A-Hiflow

---

**Reservedelsliste**  
**Spare parts list**  
**Ersatzteilliste**  
**Liste de pièces détachées**

Hovedkomponenter / Main components / Hauptkomponente / Composantes hautes . . . . .	2
Karosse / Body / Karosserie / Carrosserie . . . . .	5
Pumpe / Pump / Pumpe / Pomp . . . . .	9
Motor / Motor / Motor / Moteur . . . . .	12
EI-komponenter 230-240 -250 / Electric components 230 - 240 - 250 / Elektrische komponente 230	15
Pistol / Pistol / Pistole / Pistolet . . . . .	18
Spulerør / Lances / Lanzen / Lance . . . . .	20
EI-komponenter 270 / Electric components 270 / Elektrische komponente 270 / Composantes élect	25

Hovedkomponenter / Main components / Hauptkomponente / Composantes hautes

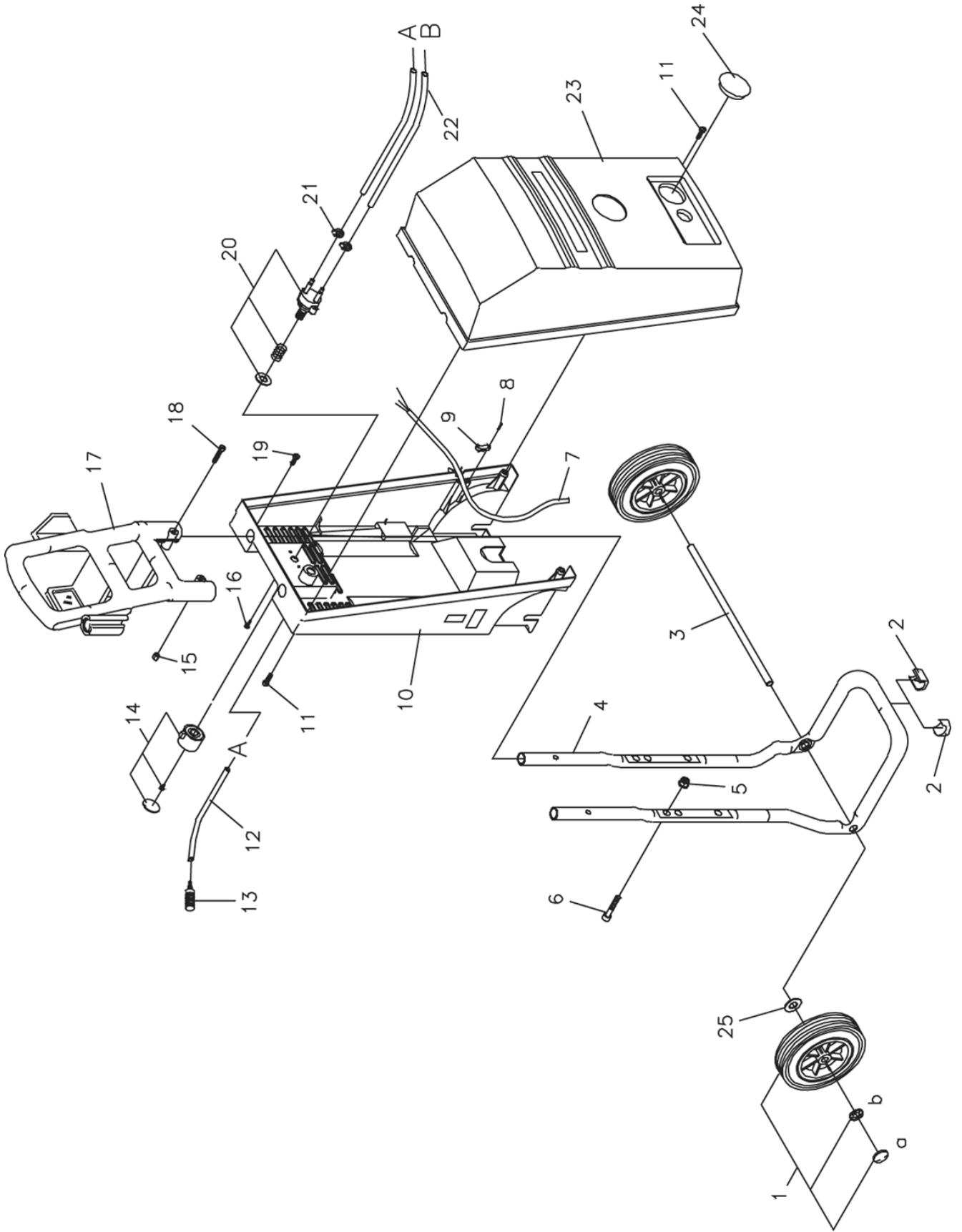


## Hovedkomponenter / Main components / Hauptkomponente / Composés hautes

Pos.	Ref. no.	Betegnelse Description	Bezeichnung Description	230 A	240 A Hi- flow	250 A	270 A
01	06261913	BUNDRAMME, KPL BOTTOM FRAME, CPL.	BODENRAHMEN CADRE DE FOND CPL.	1	1	1	1
02	06261903	KEMIKIT, KPL DETERGENT KIT, CPL.	REINIGUNGSMITTELKIT KIT DE DETERGENT P/G 230	1	1	1	1
03	06261910	MOTOR M. ELBOKS, G230 1X230V-50HZ MOTOR W. ELECTRIC BOX, G230 1X230V-50HZ	MOTOR M. ELEKTROKABINE MOTEUR 230 AV/BOITE ELECT	1	1		
03	06261911	MOTOR M. ELBOKS INCL. STARTUDSTYR, G230 1X230V- MOTOR W. EL. BOX INCL. START EQP, G230 1X230V-	MOTOR EINSCHL. ELEKTROSCHALTKASTEN MOTEUR AVEC BOITE ELECTRI	1			
03	06261912	MOTOR M. ELBOKS, G250 1X230V-50HZ MOTOR W. ELECTRIC BOX, G250 1X230V-50HZ	MOTOR M. ELEKTROKABINE MOTEUR 250 AV/BOITE ELECT			1	
03	06261975	MOTOR M. ELBOKS, G230 1X100V-50HZ MOTOR W. ELECTRIC BOX, G230 1X100V-50HZ	MOTOR EINSCHL. ELEKTROSCHALTKASTEN MOTEUR AVEC BOITE ELECTRIQUE, G230 1X100V-50HZ	1			
03	06261976	MOTOR M. ELBOKS, G230 1X100V-60HZ MOTOR W. ELECTRIC BOX, G230 1X100V-60HZ	MOTOR EINSCHL. ELEKTROSCHALTKASTEN MOTEUR AVEC BOITE ELECTRIQUE, G230 1X100V-60HZ	1			
03	06261977	MOTOR M. ELBOKS, G250 1X230V-60HZ MOTOR W. ELECTRIC BOX, G250 1X230V-60HZ	MOTOR EINSCHL. ELEKTROSCHALTKASTEN MOTEUR N 250 60 HZ			1	
03	06261978	MOTOR M. ELBOKS, G270 3XX230V-50HZ MOTOR W. ELECTRIC BOX, G270 3XX230V-50HZ	MOTOR EINSCHL. ELEKTROSCHALTKASTEN MOTEUR 270 3X230 AV/BOITE				1
03	06261979	MOTOR M. ELBOKS, G270 3X400/415V-50HZ MOTOR W. ELECTRIC BOX, G270 3X400/415V-50HZ	MOTOR EINSCHL. ELEKTROSCHALTKASTEN MOTEUR 270 3X380 AV/BOITEELECTRIQUE				1
03	06262295	MOTOR M. ELBOKS, 1X110V-50HZ MOTOR W. ELECTRIC BOX, 1X110V-50HZ	MOTEUR AVEC BOITE ELECTRIQUE, 1X110V-50HZ	1			
04	06261906	TRYKMANIFOLD, KPL., 230 PRESSURE MANIFOLD, CPL., 230	DRUCKMANIFOLD COLLECTEUR DE PRESSION CP	1			
04	06261907	TRYKMANIFOLD, KPL., 250 PRESSURE MANIFOLD, CPL., 250	DRUCKMANIFOLD COLLECTEUR DE PRESSION CP			1	
04	06261981	TRYKMANIFOLD, KPL., 270 PRESSURE MANIFOLD, CPL., 270	DRUCKMANIFOLD COLLECTEUR DE PRESSION CP				1
04	06262303	TRYKMANIFOLD, KPL., G200A PORT PRESSURE MANIFOLD, CPL., G200A PORT	COLLECTEUR DE PRESSION, CPL., G200A PORT		1		
05	06261909	STEMPELSTYR, KPL., 230/250 PISTON GUIDE, CPL., 230/250	KOLBENFÜHRUNG GUIDE PISTON CPL. G230/25	1	1	1	
05	06261982	STEMPELSTYR, KPL., 270 PISTON GUIDE, CPL., 270	KOLBENFÜHRUNG GUIDE PISTON COMPLETG270				1
06	06261908	TOPSTYKKE, KPL., 230/250 CYLINDER HEAD, CPL., 230/250	ZYLINDERKOPF CULASSE DE CYLINDRE CPL.	1	1	1	
06	06261983	TOPSTYKKE, KPL., 270 CYLINDER HEAD, CPL., 270	ZYLINDERKOPF CULASSE DE CYLINDRE CPL.				1
07	06261905	MIKROSWITCH, KPL., G230/250 MICRO SWITCH, CPL., G230/250	MIKROSCHALTER MICRO CONTACT CPL. G230/2	1	1	1	1
08	06261904	STØTTEBEN, KPL. SUPPORTING LEG	STUETZEBEIN BIPIED CPL. G230/250	1	1	1	1
09	06240270	KAROSSE GRÅ, N-200 BODY GREY, N-200	CARROSSERIE N 230/250/270	1		1	1

## Hovedkomponenter / Main components / Hauptkomponente / Composantes hautes

Pos.	Ref. no.	Betegnelse Description	Bezeichnung Description	230 A	240 A Hi- flow	250 A	270 A
09	06240279	KAROSSE GRØN, G-200 BODY GREEN, G-200	CARROSSERIE G 200	1	1	1	1
10	06110622	HØJTRYKSSLANG 8M PLAST EXTENSION HOSE, 8 M (EXCL. ADAPTER)	HOCHDRUCKSCHLAUCH FLEXIBLE HP 8 MDIA. 6X8 PDIA. 6X8 PLASTIQUE	1	1	1	1
10	06110626	HØJTRYKSSLANG DN8X8 HIGH PRESSURE HOSE, 3/8"X3/8" NIPPLE, Ø8 MM 8 M	HOCHDRUCKSCHLAUCH FLEXIBLE REMPL.P/110476	1	1	1	1
11	06290057	PISTOL - ST 1100 - LANG MED SWIVEL, 22 MM KOBLING PISTOL - ST 1100-LONG W. SWIVEL, 22 MM COUP.	PISTOLE PISTOLET	1	1	1	1
12	06261887	TURBO LASER M/ SKRUE - 500 MM, 3.5 TURBO LASER - SCREW - 500 MM, 3.5	TURBO LASER TURBO LASER G250	1	1	1	1
13	06290058	VAR.SPREDEDEYSE Ø1,12 SORT LANCE WITH ADJ. NOZZLE - SCREW - 600 MM, 3.5	MULTIDÛSE LANCE JET VARIABLE P/250	1	1	1	1
13	06290059	VAR.SPREDEDEYSE Ø1,05 GRÅ LANCE WITH ADJ. NOZZLE - SCREW - 600 MM, 3.0	MULTIDÛSE LANCE JET VARIABLE P/230	1	1	1	1
13	06290109	VARIABEL SPREDEDEYSE ADJUSTABLE NOZZLE	LANCE JET VARIABLE 1.25	1	1	1	1
14	06200458	KØREHANDTAG OPERATION HANDLE	FAHRHANDGRIFF POIGNEE	1	1	1	1
15	06261973	SPECTRUM M/ TRYKREG. - SKRUE - 650 MM, 140 SPECTRUM W. PRES. REG. - SCREW - 650 MM, 140	SPECTRUM DÛSE LANCE SPECTRUM	1	1	1	1
15	06261989	SPECTRUM M/ TRYKREG. - SKRUE - 600 MM, 145 SPECTRUM W. PRES. REG. - SCREW - 650 MM, 145	SPECTRUM DÛSE LANCE SPECTRUM	1	1	1	1
16	06261883	TURBO LASER M/ TRYKREG. - SKRUE - 600 MM, 3.0 TURBO LASER W. PRES. REG. - SCREW - 600 MM, 3.0	TURBO LASER LANCE REGLABLE TURBO	1	1	1	1
17	06262110	ROTO JET M/ SKRUE, 600 MM, 3.5 ROTO JET - SCREW - 600 MM, 3.5	LANCE ROTO JET 035	1	1	1	1
17	06262111	ROTO JET LANSE 040 600MM ROTO JET - SCREW - 600 MM, 4.0	LANCE ROTO JET 040	1	1	1	1
4 - 6	06360196	PUMPE KPL., G230 PUMP CPL., G230	PUMPE POMPE COMPLETE N/G 230	1	1	1	1
4 - 6	06360197	PUMPE KPL., G250 PUMP CPL., G250	PUMPE POMPE COMPLETE N/G 250	1	1	1	1
4 - 6	06360583	PUMPE KPL., G270 PUMP CPL., G270	MOTOR/PUMPE POMPE CPL., G270	1	1	1	1



## Karosserie / Body / Carrosserie

Pos.	Ref. no.	Betegnelse Description	Bezeichnung Description	230 A	240 A Hi- flow	250 A	270 A
0	06160399	CEE INDUSTRISTIK 5POL.16A "AUS" PLUG, 10 A	ELEKTROSTECKER CT 516/6H 5-POLIG *N*S*SF PRISE ELECTRIQUE CT 516/6H 5 POLAI.				2
0	06301097	TYPE SKILT, 45X65 MM TYPE PLATE, 45X65 MM	TYPESCHILD GRAU AUTOCOLLANT G-480	1	1	1	1
0	06301619	TRANSFER "ADVARSEL" TRANSFERS "WARNING"	TRANSFERS WAHRNUNG G-880 AUTOCOL."AVERTISSEMENT"	1	1	1	1
0	06301886	TRANSFER "230A" TRANSFERS "230A"	AUTOCOLLANT G 230	1			
0	06301887	TRANSFER "250A" TRANSFERS "250A"	AUTOCOLLANT 250A			1	
0	06301888	TRANSFER "270A" TRANSFERS "270A"	AUTOCOLLANT G 270				1
0	06301889	TRANSFER "NILFISK ADVANCE 230A" TRANSFERS "NILFISK ADVANCE 230A"	AUTOCOLLANT "NILFISK ADVANCE 230A"	1			
0	06301890	TRANSFER "NILFISK ADVANCE 250A" TRANSFERS "NILFISK ADVANCE 250A"	AUTOCOL.NILFISK/ADVANCE250			1	
0	06301891	TRANSFER "NILFISK ADVANCE 270A" TRANSFERS "NILFISK ADVANCE 270A"	AUTOCOLLANT "NILFISK ADVANCE 270A"				1
0	06301922	TRANSFERS GERNI TRANSFERS GERNI	KLEBSTREIFEN GERNI AUTOCOLLANT GERNI	1	1	1	1
0	06301993	TRANSFER G240A TRANSFERS G240A	KLEBSTREIFEN G240A AUTOCOLLANT G240A		1		
0	06301995	TRANSFER , HIGH-FLOW TRANSFERS , HIGH-FLOW	KLEBSTREIFEN HI-FLOW AUTOCOLLANT , HIGH-FLOW		1		
01	06130214	HJUL, Ø160/Ø12 WHEEL, Ø160/Ø12	RAD Ø160/Ø12 ROUE G230DIA. 160/DIA.12 DIA. 160/DIA.12	2	2	2	2
01A	06130215	NAVKAPSEL SORT HUB CAP BLACK	ACHSKAPPE ENJOLIVEUR	2	2	2	2
01B	06280195	LÅSERING, Ø12 LOCKING RING, Ø12	ROND DE BLOQUAGE 12MM MAN	2	2	2	2
02	06200230	AFSTANDSSTYKKE	SOCKEL F/KIPPSTAENDER SCHWARZ G-175 BOUT G-175	1	1	1	1
02	06200535	DUPSKO, Ø25X30 CAP, Ø25X30	PATTE SUPPORT G 260PX	1	1	1	1
03	06040187	HJULAKSEL, Ø12X336 WHEEL AXLE, Ø12X336	RADACHSE ARBRE DE ROUE G230/250	1	1	1	1
04	06051009	STØTTEBEN, Ø25X21795 SUPPORTING LEG, Ø25X21795	ROHRRAHMEN BIPIED CHASSIS	1	1	1	1
05	06080247	MØTRIK, M8 NUT, M8	MUTTER ECROU POUR 230/250	4	4	4	4
06	06070477	SKRUE, 8X50 SCREW, 8X50	IMBUSSBOLZEN, GALV. BOULON A TETE CYLINDR. GALV.	4	4	4	4
07	06161008	ELKABEL INCL. STIK , 10A *AUS 3X1,0X5,5M ELECTRIC CABLE INCL. PLUG, 10A *AUS 3X1,0X5,5M	KABEL MICRO-SWITCH3X1,0 5,5M P 3X1,0 5,5M P 10A AU	1			

## Karosserie / Body / Carrosserie / Carrosserie

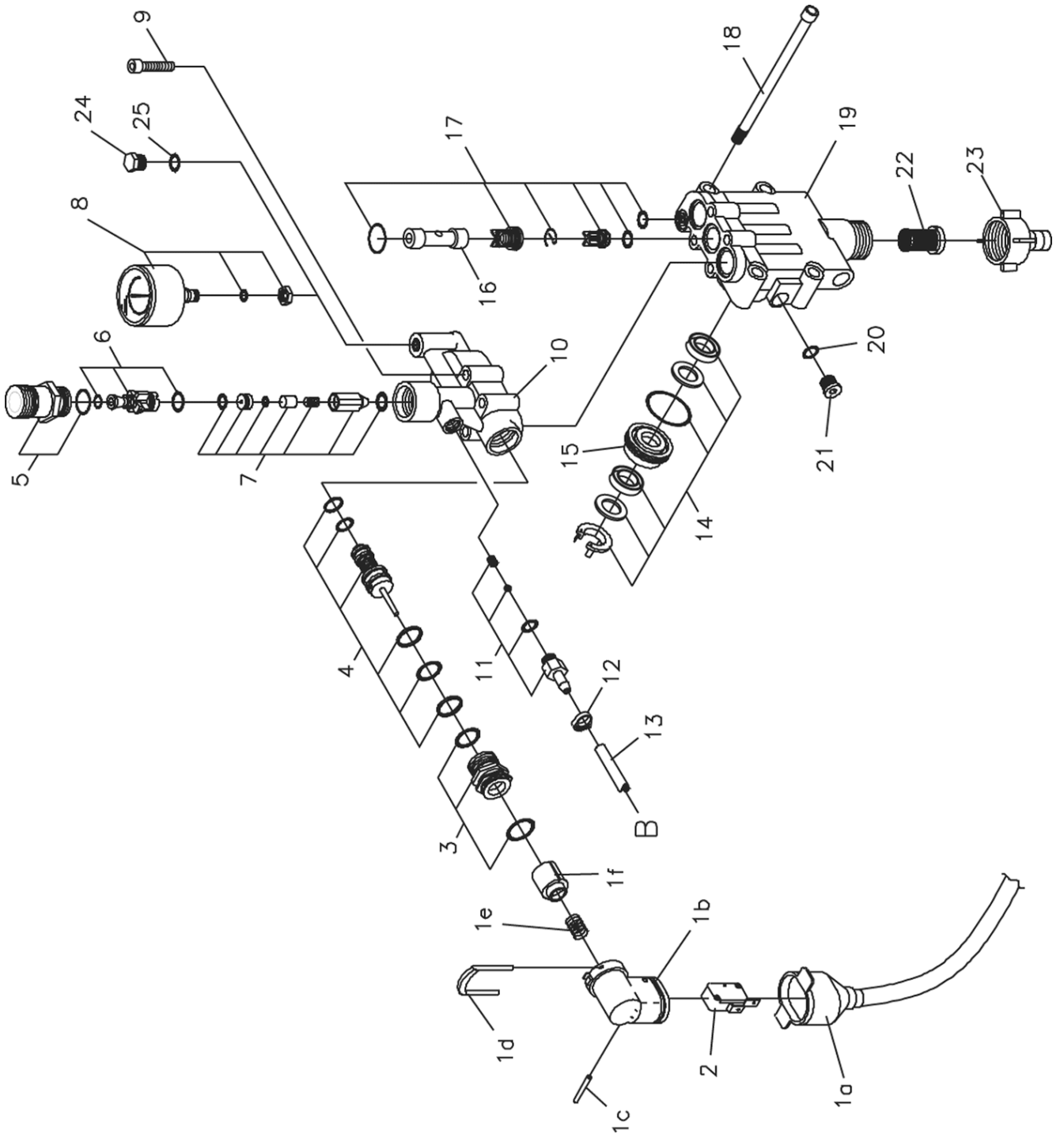
Pos.	Ref. no.	Betegnelse Description	Bezeichnung Description	230 A	240 A Hi- flow	250 A	270 A
07	06161009	ELKABEL INCL. STIK , SCHUCO 3X1.5X5.5M ELECTRIC CABLE INCL. PLUG, SCHUCO 3X1.5X5.5M	KABEL CABLE AVEC PRISE MOULEE3X3X1.5 5.5M G EUR	1	1	1	
07	06161010	ELKABEL INCL. STIK , *DK 3X1.5X5.5M ELECTRIC CABLE INCL. PLUG, *DK 3X1.5X5.5M	KABEL CABLE 3X1.5 5.5M G DK	1		1	
07	06161011	ELKABEL INCL. STIK , *UK 3X1.5X5.5M ELECTRIC CABLE INCL. PLUG, *UK 3X1.5X5.5M	KABEL CABLE	1	1	1	
07	06161013	ELKABEL INCL. STIK , 15A *AUS ELECTRIC CABLE INCL. PLUG, 15A *AUS	KABEL CABLE 3X1.5 5.5M P 15A AU			1	
07	06262294	KABEL EXCL. STIK, 100V50/60HZ 3X2.2 15M CABLE EXCL. PLUG, 100V50/60HZ 3X2.2 15M	CABLE EXCL. PRISE ELEC., 100V50/60HZ 3X2.2 15M	1			
07	06637430						1
08	06070862	SKRUE, 3X20 SCREW, 3X20	PLASTIKTITE PLASTITE	2	2	2	2
09	06200470	SPÆNDESTYKKE RECTANGULAR WASHER	SPANNBÜGEL ANNEAU DE SERRAGE PA	1	1	1	1
10	06240268	BUNDRAMME BOTTOM FRAME	BODENRAHMEN CHASSIS	1	1	1	1
11	06070861	SKRUE, 6X20 SCREW, 6X20	SCHRAUBEN VIS	4	4	4	4
12	06110620	KEMISLANGE, Ø9/6X750 DETERGENT HOSE, Ø9/6X750	REINIGUNGSMITTELSCHLAUCH TUYAU DETERGENT G230/250	1	1	1	1
13	06100316	FILTER FOR KEMI DETERGENT FILTER	REINIGUNGSMITTELFILTER ASPIRATION DETERGENT	1	1	1	1
14	06261769	PLASTKNAPKIT BUTTON KIT, PLASTIC	KIT F. PLASTIK KNOPF KIT POUR BOUTON EN	1	1	1	1
15	06080245	MØTRIK, M6 NUT, M6	MUTTER ECROU	2	2	2	2
16	06070772	SKRUE, 3.5X20 SCREW, 3.5X20	SCHRAUBE VIS 3.5X20	2	2	2	2
17	06200458	KØREHANDTAG OPERATION HANDLE	FAHRHANDGRIFF POIGNEE	1	1	1	1
18	06070864	SKRUE, M6X35 SCREW, M6X35	SCHRAUBE VIS M6X35	2	2	2	2
19	06070491	SKRUE, 5X12 SCREW, 5X12	TAP TITE P/K VIS	2	2	2	2
20	06211201	PLASTVENTIL KOMPLET PLASTIC DETERGENT VALVE CPL.	PLASTIK REINIGUNGSMITTELVENTIL KPL VANNE PLASTIQUE G-2000/60ST. CPL.	1	1	1	1
21	06110494	SPÆNDEBAND, 10-12 RETAINING RING, 10-12	SCHLAUCHSCHELLE FRETTE	2	2	2	2
22	06110621	KEMISLANGE, Ø9/6X650 DETERGENT HOSE, Ø9/6X650	REINIGUNGSMITTELSCHLAUCH TUYAU DETERGENT POMPEG230G230/250	1	1	1	1
23	06240270	KAROSSE GRÅ, N-200 BODY GREY, N-200	CARROSSERIE N 230/250/270	1		1	1

**Karosse / Body / Karosserie / Carrosserie**

Pos.	Ref. no.	Betegnelse Description	Bezeichnung Description	230 A	240 A Hi- flow	250 A	270 A
23	06240279	KAROSSE GRØN, G-200 BODY GREEN, G-200	CARROSSERIE G 200	1	1	1	1
24	06150184	AFDÆKNINGSPROP, Ø50,3X10 COVER PLUG, Ø50,3X10	CAPUCHON DE COUVERTURE, □50,3X10		1		
25	06200159	BACK-UP RING BACK-UP RING	STUETZRING JPI 1217 ANNEAU D'ETALEMENT	2	2	2	2



Pumpe / Pump / Pumpe / Pomp

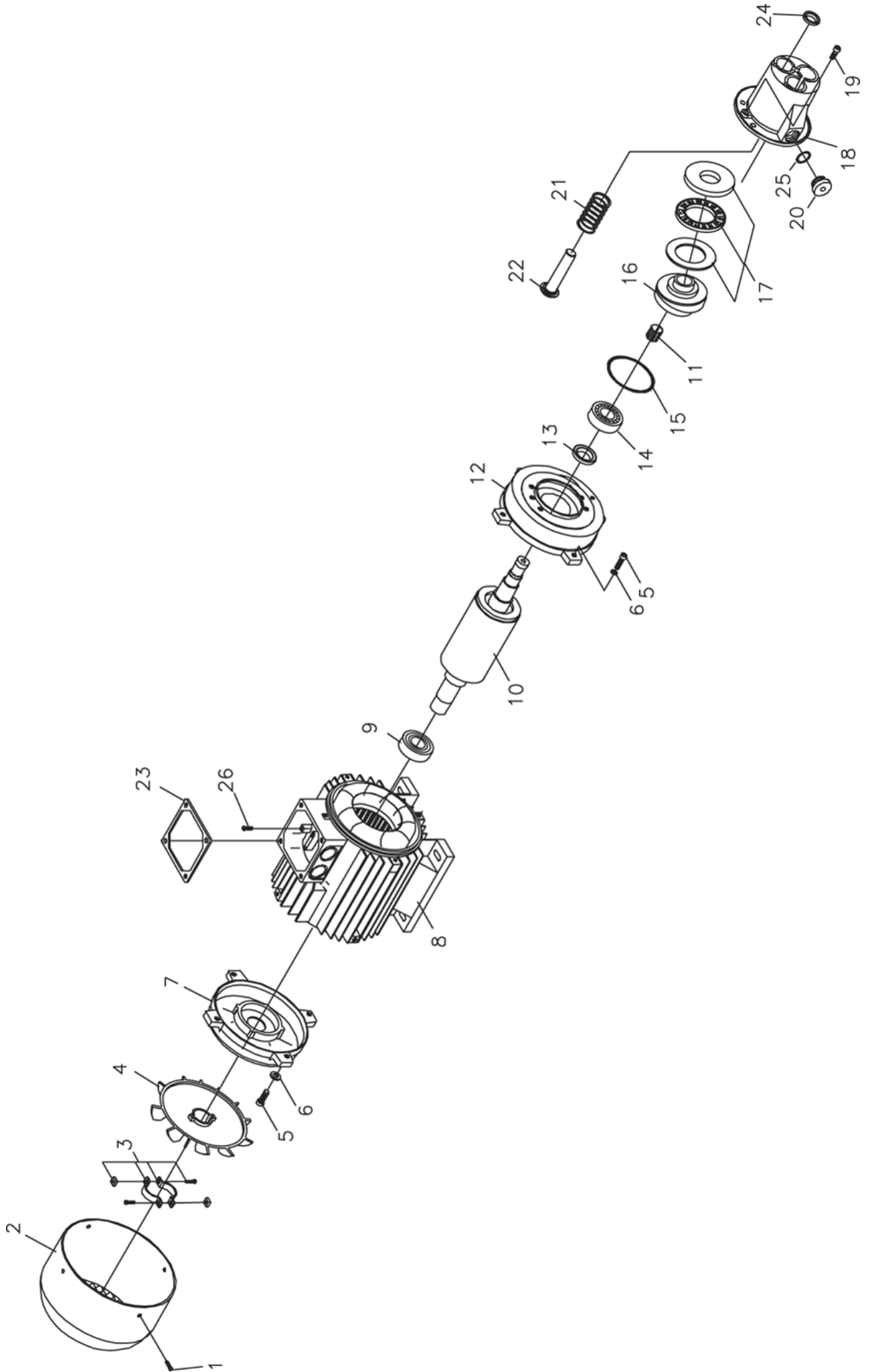


## Pumpe / Pump / Pumpe / Pompe / Pomp

Pos.	Ref. no.	Betegnelse Description	Bezeichnung Description	230 A	240 A Hi- flow	250 A	270 A
0	06261898	KIT O-RINGE/PUMPE KIT O-RINGS/PUMP	O-RINGKIT F. PUMPE KIT JOINT TONIQUE	1	1	1	1
0	06345025	PUMPEOLIE, 1 L PUMP OIL, 1 L	PUMPEOLIE 10/40 HUILE - 1 LITRE	1	1	1	1
01	06261900	HUS FOR MIKROSWITCH, KPL. HOUSING FOR MICRO SWITCH, CPL.	GEHÄUSE F. MIKROSWALTER CORPS MICRO CONTACT	1	1	1	1
01C	06200471	STIFT, Ø3X22,5 PIN, Ø3X22,5	STIFT CHEVILLE NOIRE PA Ø3X22,5	1	1	1	1
01D	06200469	LASEBØJLE LOCK FITTINGS	SCHLOSS JOINT D'ARRRET NOIR PA	1	1	1	1
02	06161007	MICROSWITCH MARQUARD MICRO SWITCH	MIKROSWALTER MICRO CONTACTMARQUARD MARQUARD	1	1	1	1
03	06211647	FORSKRUNING SCREWED CONNECTION	PFROPFEN RACCORD	1	1	1	1
04	06211648	OMLØBSVENTIL, KPL. BY-PASS VALVE, CPL.	UMLAUFVENTILE BY-PASS	1	1	1	1
05	06211649	AFGANGSSTUDS OUTLET SOCKET	ABLAUFNIPPEL M. O-RING RACCORD DE DEPARTINT TORIINT TORIQUE	1	1	1	1
06	06211650	INJEKTORDYSE INJECTOR NOZZLE	INJEKTORDYSE GICLEUR D"INJECTEUR N 230	1			
06	06211651	INJEKTORDYSE INJECTOR NOZZLE	INJEKTORDYSE GICLEUR INJECTEUR		1	1	
06	06211678	INJEKTORDYSE INJECTOR NOZZLE	INJEKTORDYSE GICLEUR D"INJECTEUR NG270				1
07	06211658	TRYKAFLASTNINGSVENTIL, KPL., G230/250/270 VALVE FOR PRESSURE RELIEF, CPL., G230/250/270	DRUCKENTLASTUNGSVENTIL KPL CLAPET ANTI RETOUR	1	1	1	1
08	06211653	MANOMETER, KPL. PRESSURE GAUGE, CPL.	MANOMETER MANOMETRE 2300/2500/2700	1	1	1	1
09	06070863	UNBRACO SKRUE, M6X35 ALLEN SCREW, M6X35	INBUSSSCHLÜSSEL VIS A TETE CYLINDRIQUE	4	4	4	4
10	06211654	TRYKMANIFOLD, KPL. PRESSURE MANIFOLD, CPL.	DRUCKMANIFOLD COLLECTEUR DE PRESSIONL.L.	1	1	1	1
11	06261484	KIT FOR KUGLEKONTRAVENTIL KIT FOR NON-RETURN VALVE	KIT F. RUECKSCHLAGVENTIL KIT VAN.ANTIRET.G300/400 BILLE	1	1	1	1
12	06110494	SPÆNDEBÅND, 10-12 RETAINING RING, 10-12	SCHLAUCHSCHELLE FRETTE	1	1	1	1
13	06110621	KEMISLANGE, Ø9/6X650 DETERGENT HOSE, Ø9/6X650	REINIGUNGSMITTELSCHLAUCH TUYAU DETERGENT POMPEG230G230/250	1	1	1	1
14	06261896	KIT FOR MANCHET KIT FOR CUP	MANSCHEITENKIT KIT COUPELLE	1	1	1	1
14+17	06261897	KIT FOR PUMPE, 230/250/270 KIT FOR PUMP, 230/250/270	PUMPENKIT KIT COUPELLES - CLAPETS	1	1	1	1
15	06181386	MANCHETHOLDER, Ø35X14,5 CUP HOLDER, Ø35X14,5	MANSCHEITENHALTER ANNEAU DE COUPELLE	3	3	3	3

## Pumpe / Pump / Pumpe / Pomp

Pos.	Ref. no.	Betegnelse Description	Bezeichnung Description	230 A	240 A Hi- flow	250 A	270 A
16	06180632	AFSTANDSSTYKKE, Ø16X30 DISTANCE PIECE, Ø16X30	ZWISCHENSTUECK ENTRETOISE	1	1	1	1
17	06261899	KIT FOR VENTIL, 230/250/270 KIT FOR VALVE, 230/250/270	VENTILKIT KIT CLAPET	1	1	1	1
18	06070867	UNBRACO SKRUE, M8X130 ALLEN SCREW, M8X130	INBUSSSCHLÜSSEL VIS A TETE CYLINDRIQUE	4	4	4	4
19	06181399	TOPSTYKKE, 230/250 CYLINDER HEAD, 230/250	ZYLINDERKOPF CUSASSE	1	1	1	1
19	06181437	TOPSTYKKE CYLINDER HEAD	CULASSE, MODIFIEE				1
20	06120446	O-RING, 7,66X1,78 70 O-RING, 7,66X1,78 70	O-RING JOINT TORIQUE	3	3	3	3
21	06200460	RØRPROP, 1/8" PLUG FOR PIPE, 1/8"	ROHRPROPfen BOUCHON A VIS 1/8"	3	3	3	3
22	06100368	FILTER FILTER	WASSERFILTER FILTRE D'EAU	1	1	1	1
23	06030814	SLANGEFORSKRUNING, 3/4-1/2 HOSE SCREWED CONNECTION, 3/4-1/2	SCHLAUCHVERSCHRÄUBUNG JOINT DE TUYAU	1	1	1	1
23	06030818	SLANGEFORSKRUNING, 3/4"-3/4" M.PAK HOSE SCREWED CONNECTION, 3/4"-3/4" M.PAK	RACCORD P. TUYAU, 3/4"-3/4" M.PAK				1
24	06180998	RØRPROP, 1/8" PLUG FOR PIPE, 1/8"	ROHRPROPfen BOUCHON DE TUBENE EXTERIEUNE EXTERIEUR		1		
25	06120497	USITRING, 1/8" USIT RING, 1/8"	JOINT USIT, 1/8"		1		

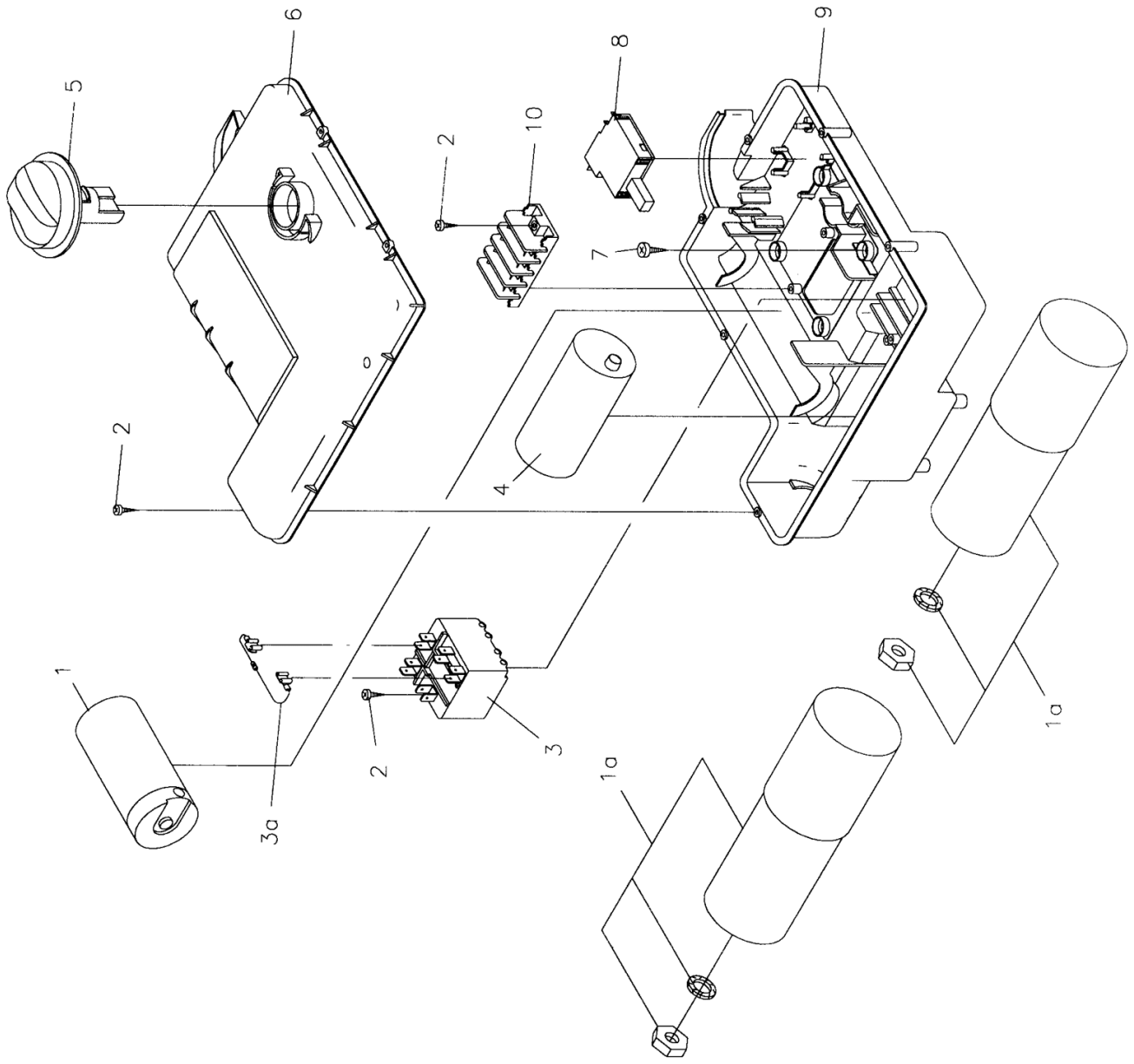


## Motor / Moteur / Moteur

Pos.	Ref. no.	Betegnelse Description	Bezeichnung Description	230 A	240 A Hi- flow	250 A	270 A
01	06070778	SKRUE, 3,9X9,5 SCREW, 3,9X9,5	VIS, 3,9X9,5	4		4	4
02	06270335	VENTILATIONSDEKSEL FAN COVER	VENTILATORDECKEL CARTER DE PROTECTION	1		1	1
03	06270338	KOBLING, KPL. COUPLING, CPL.	ACCOUPLLEMENT CPL.	1		1	1
04	06270336	VENTILATORVINGE FAN BLADE	HELICE G 230 - 250 - 270	1		1	1
05	06070796	SÆTSKRUE GALV	GEWINDESTIFT VIS D'ARRRET GALVANISEE	8		8	8
06	06080016	SPÆNDESKIVE, 6 MM TENSION DISC, 6 MM	FEDERSKEIBE, GALV. RONDELLE DE SERRAGE	8		8	8
07	06270337	MOTORFLANGE MOTOR FLANGE	BRIDE DE MOTEUR	1		1	1
1-16	06360575	MOTOR INCL. SKRÅSKIVE, G230 1X230V 50HZ MOTOR INCL. CAM DISC, G230 1X230V 50HZ	MOTOR EINSCHL. BOGENSCHEIBE MOTEUR POMPE N/G 230	1			
1-16	06360576	MOTOR INCL. SKRÅSKIVE, G250 1X230V 50HZ MOTOR INCL. CAM DISC, G250 1X230V 50HZ	MOTOR EINSCHL. BOGENSCHEIBE MOTEUR AVEC PLAN INCLINE			1	
1-16	06360584	MOTOR INCL. SKRÅSKIVE, G230 1X100V 50HZ MOTOR INCL. CAM DISC, G230 1X100V 50HZ	MOTOR EINSCHL. BOGENSCHEIBE MOTEUR INCL. DISQUE INCL., G230 1X100V 50HZ	1			
1-16	06360585	MOTOR INCL. SKRÅSKIVE, G230 1X100V 60HZ MOTOR INCL. CAM DISC, G230 1X100V 60HZ	MOTOR EINSCHL. BOGENSCHEIBE MOTEUR INCL. DISQUE INCL., G230 1X100V 60HZ	1			
1-16	06360586	MOTOR INCL. SKRÅSKIVE, G250 1X230V 60HZ MOTOR INCL. CAM DISC, G250 1X230V 60HZ	MOTOR EINSCHL. BOGENSCHEIBE MOTEUR INCL. DISQUE INCL., G250 1X230V 60HZ			1	
1-16	06360587	MOTOR INCL. SKRÅSKIVE, G270 3X230/400/415V 50HZ MOTOR INCL. CAM DISC, G270 3X230/400/415V 50HZ	MOTOR EINSCHL. BOGENSCHEIBE MOTEUR + DISQUE INCLINE				1
1-16	06360601	MOTOR INCL. SKRÅSKIVE, G230 1X110V 50HZ MOTOR INCL. CAM DISC, G230 1X110V 50HZ	MOTEUR INCL. DISQUE INCL., G230 1X110V 50HZ	1			
1-16	06360602	MOTOR INCL. SKRÅSKIVE, 1X230V-50HZ MOTOR INCL. CAM DISC, 1X230V-50HZ	MOTEUR INCL. DISQUE INCL., 1X230V-50HZ			1	
1-26	06360577	MOTOR/PUMPE, KPL., G230 1X230V-50HZ MOTOR/PUMP, CPL., G230 1X230V-50HZ	MOTOR/PUMPE MOTEUR/POMPE, CPL., G230 1X230V-50HZ	1			
1-26	06360578	MOTOR/PUMPE, KPL., G250 1X230V-50HZ MOTOR/PUMP, CPL., G250 1X230V-50HZ	MOTOR/PUMPE MOTEUR/POMPE, CPL., G250 1X230V-50HZ			1	
1-26	06360579	MOTOR/PUMPE, KPL., G230 1X100V-50HZ MOTOR/PUMP, CPL., G230 1X100V-50HZ	MOTOR/PUMPE MOTEUR/POMPE, CPL., G230 1X100V-50HZ	1			
1-26	06360580	MOTOR/PUMPE, KPL., G230 1X100V-60HZ MOTOR/PUMP, CPL., G230 1X100V-60HZ	MOTOR/PUMPE MOTEUR/POMPE, CPL., G230 1X100V-60HZ	1			
1-26	06360581	MOTOR/PUMPE, KPL., G250 1X230V-60HZ MOTOR/PUMP, CPL., G250 1X230V-60HZ	MOTOR/PUMPE MOTEUR/POMPE N/G 250			1	
1-26	06360582	MOTOR/PUMPE, KPL., G270 3X230/400/415V- 50HZ MOTOR/PUMP, CPL., G270 3X230/400/415V- 50HZ	MOTOR/PUMPE MOTEUR/POMPE, CPL., G270 3X230/400/415V- 50HZ				1
1-26	06360600	MOTOR/PUMPE, KPL., G230 1X110V-50HZ MOTOR/PUMP, CPL., G230 1X110V-50HZ	MOTEUR/POMPE, CPL., G230 1X110V-50HZ	1			

## Motor / Motor / Moteur

Pos.	Ref. no.	Betegnelse Description	Bezeichnung Description	230 A	240 A Hi- flow	250 A	270 A
11	06280187	TOLERANCERING, 18X16X18 TOLERANCE RING, 18X16X18	LEHRRING ANNEAU DE TOLERANCE TE18X	1	1	1	1
13	06120552	SIMMERRING SEALING RING	BAGUE OBTURATEUSE P/HUILE	1	1	1	1
14	06140064	KUGLELEJE BALL BEARING	BUTEE 230/250/270	1	1	1	1
15	06120268	O-RING, Ø74,00X2,00 O-RING, Ø74,00X2,00	O-RING JOINT TORIQUE DIAM 7,4 X	1	1	1	1
16	06181396	SKRÅSKIVE, 8,40 CAM DISC, 8,40	BOGENSCHEIBE DISQUE INCLINÉ 8,40GR 8,40GR	1			
16	06181397	SKRÅSKIVE, 9,85 CAM DISC, 9,85	BOGENSCHEIBE DISQUE INCLINE		1	1	
16	06181431	SKRÅSKIVE, 6,75 CAM DISC, 6,75	DISQUE INCLINÉ, 6,75	1			
16	06181432	SKRÅSKIVE, 2,50 CAM DISC, 2,50	DISQUE INCLINÉ, 2,50	1			
16	06181433	SKRÅSKIVE, 8,30 CAM DISC, 8,30	DISQUE INCLINÉ, 8,30			1	
16	06262238	SKRÅSKIVE 12 GR CAM DISC, 12,00	DISQUE INCLINE POUR 270				1
17	06260843	KIT FOR TRYKLEJE, JET/MINI-HOT KIT FOR THRUST BEARING, JET/MINI-HOT	BOGENSCHEIBELAGERKIT KIT P/PALIER BUTEE 2300/ 2500	1	1	1	1
17	06261984	KIT FOR TRYKLEJE KIT FOR THRUST BEARING, 270	KIT F. DRUCKLAGER KIT P/PALIER BUTEE P/2700				1
18	06181405	STEMPELSTYR, 200 PISTON GUIDE, 200	KOLBENFÜHRUNG GUIDE PISTON	1	1	1	1
19	06070452	UNBRACO SKRUE, M8X20 ALLEN SCREW, M8X20	IMBUSSBOLZEN, GALV. INTRAVIS 8X20 GALV. GALV.	2	2	2	2
20	06181419	PROP, Ø24X12 PLUG, Ø24X12	BOUCHON 2300/2500/2700	1	1	1	1
21	06280194	TILHOLDER JEDER PRESSURE SPRING	RESSORT D/PRESSION 250/270	3	3	3	3
22	06211655	STEMPEL, KPL. PISTON, CPL.	KOLBEN PISTON	3	3	3	3
22	06211679	STEMPEL G-270 KPL. PISTON, CPL.	KOLBEN KPL. PISTON G 270				3
23	06120542	PAKNING GASKET	DICHTUNG F. LEITERKASSE JOINT P. BOITE A BORNES	1	1	1	1
24	06120540	OLJETÆTNINGSRING, Ø14X22X7 OIL SEALING RING, Ø14X22X7	ÖLDICHTUNGSRING JOINT D'HUILE 14X22X7/6 14X22X7/6	3	3	3	3
25	06120381	O-RING, 18,00X2,00 N70 O-RING, 18,00X2,00 N70	O-RING ¥18X2	1	1	1	1
26	06070868	SKRUE, 3,9X9,5 SCREW, 3,9X9,5	VIS, 3,9X9,5	1	1	1	1



# El-komponenter 230-240 -250 / Electric components 230 - 240 - 250 / Elektrische komponente 230 - 240 - 250 / Composantes électrique 230 - 240 - 250 A

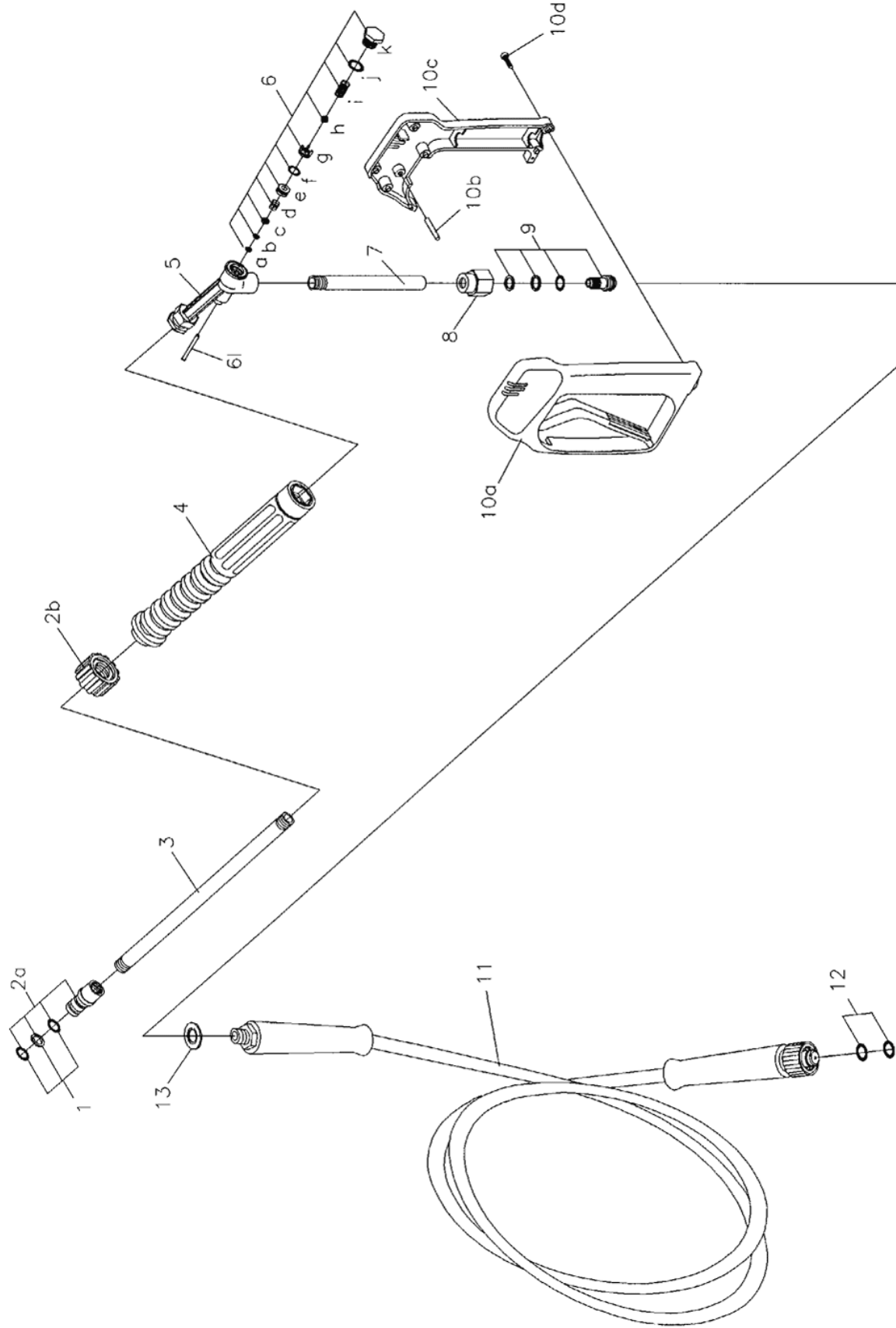
Pos.	Ref. no.	Betegnelse Description	Bezeichnung Description	230 A	240 A Hi- flow	250 A	270 A
01	06270326	DRIFTSKONDENSATOR, 50YF WORKING CAPACITOR, 50MF450-50	BETRIEBSKONDENSATOR CONDENSATEUR	1			
01	06270341	DRIFTSKONDENSATOR, 55MFOR 450-55 WORKING CAPACITOR, 55MFOR 450-55	ANLASSKONDENSATOR CONDENSATEURARCHE	2	1	1	1
01A	06270350	STARTKONDENSATOR, 100MFOR 250 STARTING CAPASITOR, 100MFOR 250	CONDENSATEUR DE DEMARRAGE, 100MFOR 250	2			
02	06070866	SKRUE, 3,5X12 SCREW, 3,5X12	SCHRAUBE VIS POUR 230/250	9	9	9	9
03	06262054	STARTRELÆ, 1X230V-50HZ - (10A) STARTING RELAY, 1X230V-50HZ - (10A)	RELAIS DE MISE EN MARCHÉ	1	1		
03	06262055	STARTRELÆ, 1X230V-60HZ STARTING RELAY, 1X230V-60HZ	RELAIS DE DEMARRAGE, 1X230V-60HZ			1	
03	06262056	STARTRELÆ, 1X100/110V-50HZ STARTING RELAY, 1X100/110V-50HZ	RELAIS DE DEMARRAGE, 1X100/110V-50HZ	1			
03	06262057	STARTRELÆ, 1X100/110V-60HZ STARTING RELAY, 1X100/110V-60HZ	RELAIS DE DEMARRAGE, 1X100/110V-60HZ	1			
03A	06270330	MODSTAND, 33 KOHM 1W RESISTANCE, 33 KOHM 1W	R-SISTANCE P. EQUIPEMENT	1		1	
04	06270325	DRIFTSKONDENSATOR 32YF WORKING CAPACITOR, 1X230V-50HZ-(10A)	BETRIEBSKONDENSATOR CONDENSATEUR	1	1		
04	06270326	DRIFTSKONDENSATOR, 50YF WORKING CAPACITOR, 50MF450-50	BETRIEBSKONDENSATOR CONDENSATEUR	1			
04	06270341	DRIFTSKONDENSATOR, 55MFOR 450-55 WORKING CAPACITOR, 55MFOR 450-55	ANLASSKONDENSATOR CONDENSATEURARCHE	1		1	
04	06270346	DRIFTSKONDENSATOR, 40MFOR 450 WORKING CAPACITOR, 40MFOR 450	CONDENSATEUR DE MARCHÉ, 40MFOR 450			1	
05	06200467	START/STOP KONTAKT START/STOP SWITCH	DREHKNOFF BOUTON EXTERIEUR	1	1	1	1
06	06200465	LAG FOR EL-BOX COVER FOR ELECTRIC BOX	DECKEL FÜR ELEKTROKASTEN COUVERCLE DE BOITE	1	1	1	1
07	06070883	SKRUE, 4,8X13 SCREW, 4,8X13	VIS, 4,8X13	4	4	4	4
08	06161004	AFBRYDER, 1X230V 50HZ SWITCH, 1X230V 50HZ	SCHALTER INTERRUPTEUR DIJONCTEUR1,1,8 KW	1	1		
08	06161005	AFBRYDER, 1X230V 50HZ SWITCH, 1X230V 50HZ	SCHALTER INTERRUPTEUR2,3 KW 2,3 KW			1	1
08	06161023	AFBRYDER, 1X100/110V-50/60HZ SWITCH, 1X100/110V-50/60HZ	INTERRUPTEUR N 230 -60 HZ	1			
09	06200464	ELKASSEBUND BOTTOM FOR ELECTRIC BOX	BODEN F. ELEKTROKASTEN FOND DU COFFRET	1	1	1	1
10	06161006	TERMINALBLOK, 4P TERMINAL STRIP, 4P	TERMINALBLOK BLOQUE TERMINALE 4-POLAIRES	1	1	1	1
10	06161026	TERMINALBLOK, 5P TERMINAL STRIP, 5P	BARETTE DE JONCTION, 5P				1



**EI-komponenter 230-240 -250 / Electric components 230 - 240 - 250 / Elektrische komponente 230 - 240 - 250 / Composantes électrique 230 - 240 - 250**

Pos.	Ref. no.	Betegnelse Description	Bezeichnung Description	230 A	240 A Hi- flow	250 A	270 A
11	06160508	KONTAKTOR 12A 24V/50-60HZ CONTACTOR , 12A 24V/50-60HZ 230V	SCHUETZ CONTACTEUR 220V POUR PONY				1
11	06160824	KONTAKTOR, 12A 3X400/415V-50HZ CONTACTOR , 12A 3X400/415V-50HZ	SCHUETZ CONTACTEUR PONY 30				1

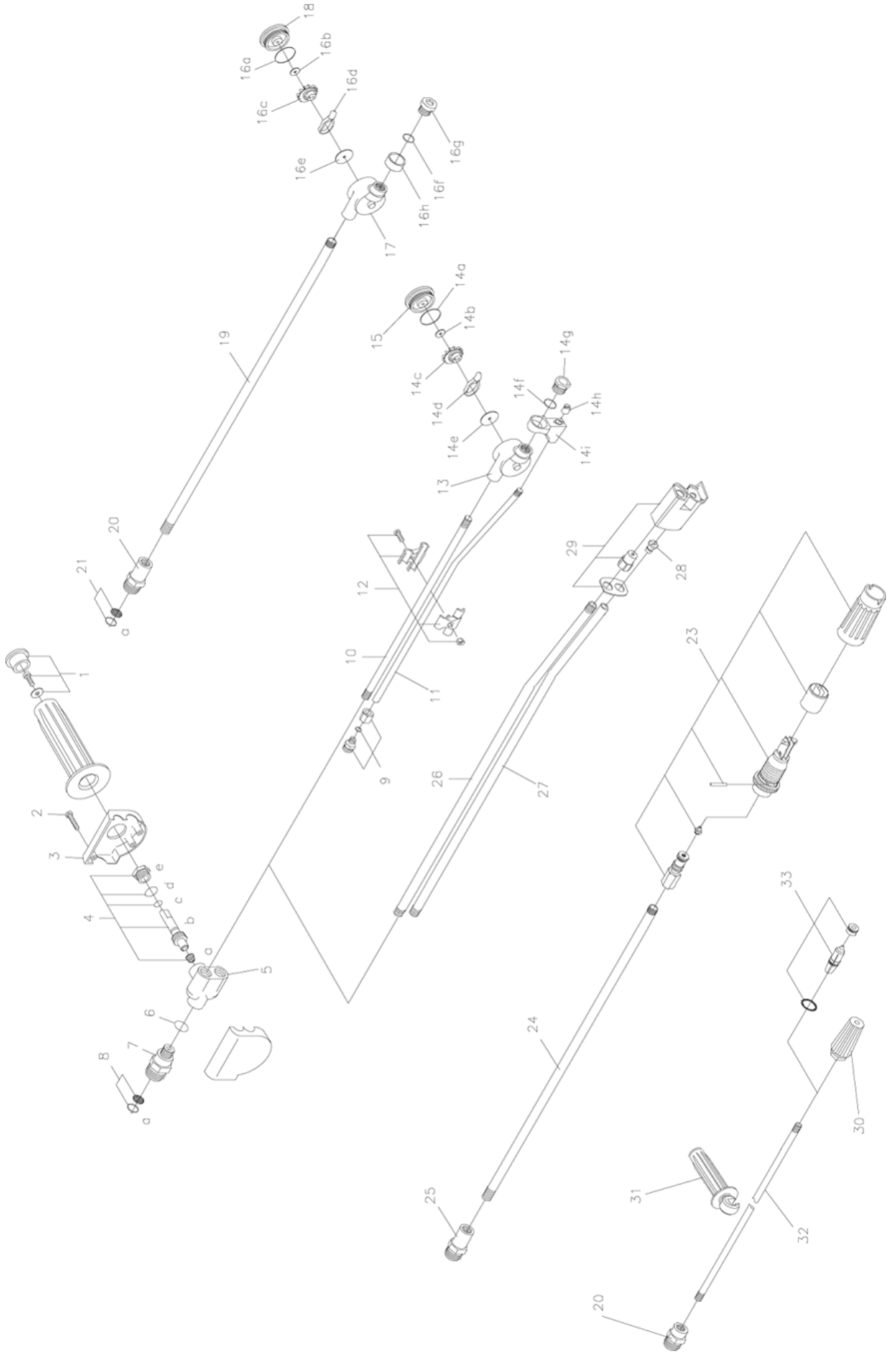
Pistol / Pistol / Pistole / Pistolet



## Pistol / Pistol / Pistole / Pistolet

Pos.	Ref. no.	Betegnelse Description	Bezeichnung Description	230 A	240 A Hi- flow	250 A	270 A
0	06290057	PISTOL - ST 1100 - LANG MED SWIVEL, 22 MM KOBLING PISTOL - ST 1100-LONG W. SWIVEL, 22 MM COUP.	PISTOLE PISTOLET	1	1	1	1
01	06261547	PAKNINGSKIT F. SKRUEKOB. GASKET KIT FOR SCREW COUPLING	SCHRAUBKUPPLUNG KIT P. JOINTS TORIQUES RACC.A.VIS	1	1	1	1
02	06290062	SKRUEKOBLING SCREW COUPLING	SCHRAUBENKUPPLUNG RACCORD A VIS	1	1	1	1
03	06290066	FORRØR FOR PISTOL FRONT PIPE FOR PISTOL	VORDERROHR F. PISTOLE TUBE PISTOLET	1	1	1	1
04	06290067	KAPPE CAP	ABDECKUNG F. PISTOLE PROTECTION P/PISTOL290057	1	1	1	1
05	06290068	PISTOLKROP PISTOL HOUSING	GEHÄUSE F. PISTOLE CORPS DE PISTOLET	1	1	1	1
07	06290069	TILGANGSRØR INLET PIPE	EINLASSROHR F. PISTOLE TUYAU D ENTREE G230/250/	1	1	1	1
08	06290070	DREJELED SWIVEL	DREGELENK RACCORD PISTOLET POUR	1	1	1	1
09	06290061	PAKNINGSKIT FOR DREJELED GASKET KIT FOR SWIVEL	SERVICEKIT F. DREHGELENK KIT JOINT RACCORD	1	1	1	1
10	06290063	PISTOLHANDTAG, KPL. PISTOL HANDLE, CPL.	PISTOLENGEHÄUSE POIGNEE DU PISTOL.290057	1	1	1	1
11	06110363	SLANGEOPHÆNG FORKROMET HOSE SUSPENSION, CHROMATED STEEL,	SCHLAUCHAUFHÆNGUNG SUPPORT POUR FLEXIBLE	1		1	
11	06110622	HØJTRYKSSLANGE 8M PLAST EXTENSION HOSE, 8 M (EXCL. ADAPTER)	HOCHDRUCKSCHLAUCH FLEXIBLE HP 8 MDIA. 6X8 PDIA. 6X8 PLASTIQUE	1	1	1	
11	06110626	HØJTRYKSSLANGE DN8X8 HIGH PRESSURE HOSE, 3/8"X3/8" NIPPLE, Ø8 MM 8 M	HOCHDRUCKSCHLAUCH FLEXIBLE REMPL.P/110476				1
12	06260936	PAKNINGSKIT F. SKRUEKOB. GASKET KIT FOR SCREW COUPLING	DICHTUNGSKIT F. SCHRAUBENKUPPLUNG KIT JOINT RACCORD VIS VIS	1	1	1	1
13	06120385	USITRING, 24X16,7X1,5 USIT RING, 24X16,7X1,5	USITRING JOINT D'ETANCHEITE G-4000	1	1	1	1
6A-L	06261926	SERVICEKIT FOR PISTOL SERVICE KIT FOR PISTOL	SERVICEKIT F. PISTOLE KIT DE SERVICE POUR	1	1	1	1

Spulerør / Lances / Lanzen / Lance



## Spulerør / Lances / Lanzen / Lance

Pos.	Ref. no.	Betegnelse Description	Bezeichnung Description	230 A	240 A Hi- flow	250 A	270 A
01	06260232	HANDTAGSKIT F. SPULERØR HANDLE KIT	HANDGRIFFKIT F. DOPPELLANZE KIT SERVICE AVEC POIGNEENNE DOUBLE	1		1	1
02	06070479	SKRUE, 4X20 SCREW, 4X20	SCHNEIDSCHRAUBE, SCHWARZZINK VIS	3		3	3
03	06200097	PYNTEDÆKSEL F. VENTILHUS COVER F. VALVE HOUSING	STAUWKAPPE F. VENTILGEHAE COUVERCLEOR. D. VAN OR. D. VAN	1		1	1
04	06260860	VENTILSPINDEL KIT VALVE SPINDLE KIT	VENTILSPINDELKIT F. DRUCKREGELUNG KIT REGLAGE PRESSION DOUBLE. PRES.	1		1	1
04C	06120006	O-RING, 6,75X1,78 O-RING, 6,75X1,78	O-RING JOINT TORIQUE MAT 4470	1		1	1
04D	06120010	O-RING, 13,1X1,6 O-RING, 13,1X1,6	O-RING JOINT TORIQUE MAT 4470	1		1	1
04E	06190245	MØTRIK NUT	MUTTER F. VENTIL ECROU POUR VANNE DOUB.LAN	1		1	1
05	06211078	VENTILHUS VALVE HOUSING	VENTILGEHAEUSE, KPL. CULASSE LANCE DOUBLE ET	1		1	1
06	06120188	O-RING, 10X2 O-RING, 10X2	O-RING JOINT TORIQUE	1		1	1
07	06030484	SKRUEKOBLING 1/4 UDV. SCREW COUPLING ROTATABLE, 1/4"	SCHR.KUPPLUNG DREHBAR F.DOPPELLANZE ACCOUPL. VIS TOURNANT DBL LANCE DOUBLE	1		1	1
08	06100332	FILTER FOR TURBO LASER FILTER FOR TURBO LASER	FILTER F. TURBO LASER M. O-RING FILTRE TURBO LASER	1		1	1
08A	06120139	O-RING, 10X1 O-RING, 10X1	O-RING JOINT SPY JET	1		1	1
09	06030527	BRYSTNIPPEL, 8X1/4" BREAST NIPPLE, 8X1/4"	GEWINDESTUECK RACCORD	1		1	1
1-15	06261461	TURBO LASER M/ TRYKREG. - SKRUE - 600 MM, 4.5+ TURBO LASER W. PRES. REG. - SCREW - 600 MM, 4.5+	TURBO LASER 600 MM TURBO LASER 600MM G-310/4		1		
1-15	06261874	TURBO LASER M/ TRYKREG. - SKRUE - 600 MM, 3.5 TURBO LASER W. PRES. REG. - SCREW - 600 MM, 3.5	TURBO LASER TURBO-LASER 600MM			1	
1-15	06261883	TURBO LASER M/ TRYKREG. - SKRUE - 600 MM, 3.0 TURBO LASER W. PRES. REG. - SCREW - 600 MM, 3.0	TURBO LASER LANCE REGLABLE TURBO	1			
1-15	06261961	TURBO LASER M/ TRYKREG. - SKRUE - 600 MM, 4.0+ TURBO LASER W. PRES. REG. - SCREW - 600 MM, 4.0+	TURBO LASER TURBO LASER N/G 270	1			1
1-15	06261996	TURBO LASER, 600 MM -100V/ 50-60HZ TURBO LASER, 600 MM -100V/ 50-60HZ	TURBO LASER TURBO LASER	1			
1-8,	06261958	SPECTRUM M/ TRYKREG. - SKRUE - 650 MM, EXCL. SPECTRUM W. PRES. REG. - SCREW - 650 MM,	SPECTRUM OHNE DÜSE - 650 MM SPECTRUM SANS GICLEUR - 650 MM	1		1	1
1-8,	06261973	SPECTRUM M/ TRYKREG. - SKRUE - 650 MM, 140 SPECTRUM W. PRES. REG. - SCREW - 650 MM, 140	SPECTRUM DÜSE LANCE SPECTRUM				1
1-8,	06261985	SPECTRUM M/ TRYKREG. - SKRUE - 650 MM, 130 SPECTRUM W. PRES. REG. - SCREW - 650 MM, 130	SPECTRUM DÜSE LANCE SPECTRUM	1			
1-8,	06261986	SPECTRUM M/ TRYKREG. - SKRUE - 650 MM, 135 SPECTRUM W. PRES. REG. - SCREW - 650 MM, 135	SPECTRUM DÜSE LANCE SPECTRUM				1

## Spulerør / Lances / Lanzen / Lance

Pos.	Ref. no.	Betegnelse Description	Bezeichnung Description	230 A	240 A Hi- flow	250 A	270 A
1-8,	06261989	SPECTRUM M/ TRYKREG. - SKRUE - 600 MM, 145 SPECTRUM W. PRES. REG. - SCREW - 650 MM, 145	SPECTRUM DÜSE LANCE SPECTRUM	1			
10	06050841	SPULERØR LIGE, Ø13X1,5X586 LANCE STRAIGHT, Ø13X1,5X586	LANZE GERADE TURBO LASER LANCE DROITE TURBO LASER	1	1	1	1
11	06050842	KEMIRØR 15 GR. BUK , Ø8X1X622 DETERGENT PIPE 15 DEG., Ø8X1X622	REI.MITTLEROHR 15 GR. VERB. F. T. L. TUYAU POUR LANCESER, 15 DSER, 15 DEGRES	1		1	1
12	06261130	BESLAG FOR TURBO LASER FITTINGS FOR TURBO LASER	BESCHLAG F. TURBO LASER ROHR ARMATURE POUR TURBO LASER TUYAU	1		1	1
13	06261646	HUS FOR TURBO LASER, Ø2,0 HOUSING FOR TURBO LASER, Ø2,0	GEHAUSE F. TURBO LASER CORPS TURBO LASER	1		1	1
14	06261459	TURBO LASER KIT, 4.5+ TURBO LASER KIT, 4.5+	SERVICEKIT F. TURBO LASER KIT POUR TURBO LASER LASE LASER		1		
14	06261875	TURBO LASER KIT, 3.5 TURBO LASER KIT, 3.5	SERVICEKIT F. TURBO LASER KIT TURBO 250/2500			1	
14	06261884	TURBO LASER KIT (230/240V), 3.0 TURBO LASER KIT (230/240V), 3.0	SERVICEKIT F. TURBO LASER KIT DE SERVICE P. TURBO-L	1			
14	06261963	TURBO LASER KIT, 4.0+ TURBO LASER KIT, 4.0+	KIT TURBO 270				1
14	06261997	SERVICEKIT FOR TURBO LASER, 100V/ 50-60HZ SERVICE KIT FOR TURBO LASER, 100V/ 50-60HZ	KIT DE SERVICE P. TURBO-L	1			
14A	06120544	O-RING, 36.0X1,78 O-RING, 36.0X1,78	JOINT TORIQUE	1		1	1
14F	06120282	O-RING, 14X1,78 O-RING, 14X1,78	O-RING JOINT TORIQUE 14 X 1,78	1		1	1
14H	06180533	DYSE, Ø10X12 NOZZLE, Ø10X12	DUESE GICLEUR DIA. 10X12	1		1	1
15	06180936	LAG FOR TURBO LASER COVER FOR TURBO LASER	DECKEL F. TURBO LASER, BEARBEITET COUVER.P.TURBO LASER FACOR, FACONNE	1		1	1
16	06261893	TURBO LASER KIT ( ENK. RØRLANSE) (230/240V), 3.0 TURBO LASER KIT (SINGLE LANCE) (230/240V), 3.0	SERVICEKIT F. TURBO LASER KIT TURBO	1			
16-21	06261887	TURBO LASER M/ SKRUE - 500 MM, 3.5 TURBO LASER - SCREW - 500 MM, 3.5	TURBO LASER TURBO LASER G250			1	
16-21	06261888	TURBO LASER M/ SKRUE - 500 MM, 3.0 TURBO LASER - SCREW - 500 MM, 3.0	TURBO LASER TURBO LASER G230	1			
16A	06120544	O-RING, 36.0X1,78 O-RING, 36.0X1,78	JOINT TORIQUE	1		1	
16F	06120282	O-RING, 14X1,78 O-RING, 14X1,78	O-RING JOINT TORIQUE 14 X 1,78	1		1	
16H	06200476	PLASTRING PLASTIC RING	PLASTIKRING F. TURBO LASER ANNEAU EN PLAST. P. TURBO LASER	1		1	
17	06261646	HUS FOR TURBO LASER, Ø2,0 HOUSING FOR TURBO LASER, Ø2,0	GEHAUSE F. TURBO LASER CORPS TURBO LASER	1		1	
18	06180936	LAG FOR TURBO LASER COVER FOR TURBO LASER	DECKEL F. TURBO LASER, BEARBEITET COUVER.P.TURBO LASER FACOR, FACONNE	1		1	

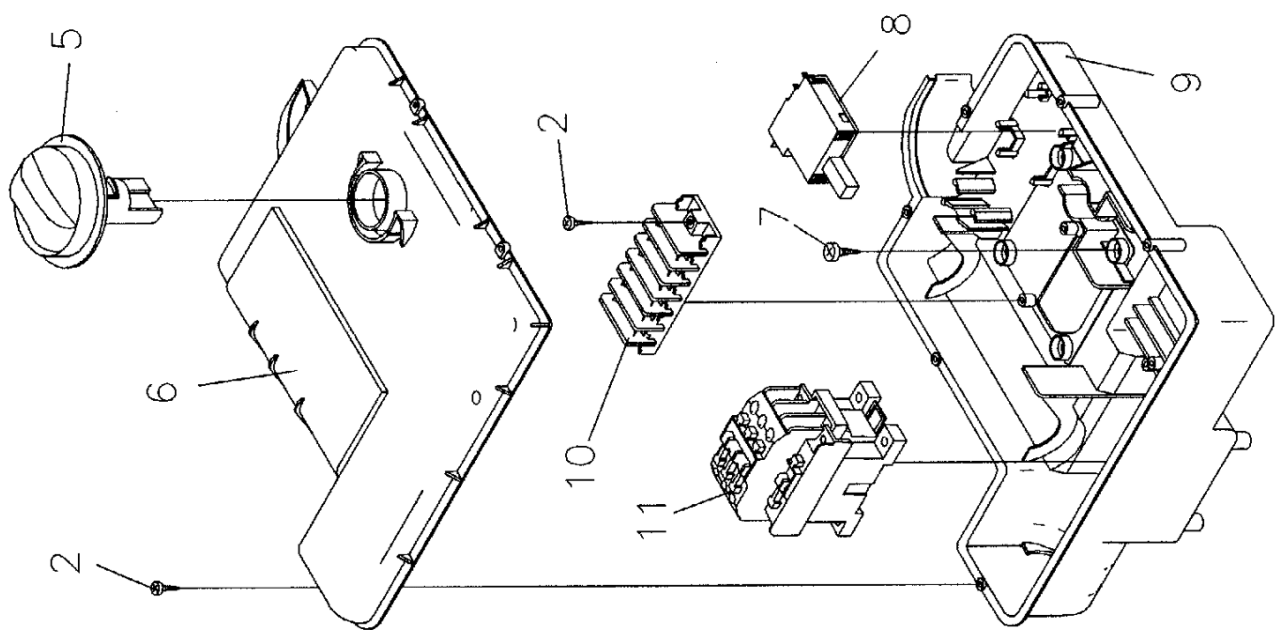
## Spulerør / Lances / Lanzen / Lance

Pos.	Ref. no.	Betegnelse Description	Bezeichnung Description	230 A	240 A Hi- flow	250 A	270 A
19	06051012	SPULERØR LIGE, Ø13X1,5X450 LANCE STRAIGHT, Ø13X1,5X450	LANZE F. TURBO LASER LANCE P. TURBO LASER	1		1	
20	06030485	SKRUEKOBLING, 1/4" INDV. SCREW COUPLING, 1/4"	SCHRAUBENKUPPLUNG, NICHT DREHBAR ACCOUPL. VIS 1/4 INT.NT NT	1		1	
20,	06262110	ROTO JET M/ SKRUE, 600 MM, 3.5 ROTO JET - SCREW - 600 MM, 3.5	LANCE ROTO JET 035	1			
20,	06262111	ROTO JET LANSE 040 600MM ROTO JET - SCREW - 600 MM, 4.0	LANCE ROTO JET 040	1		1	1
20,	06262112	ROTO JET LANSE 045 600MM ROTO JET - SCREW - 600 MM, 4.5	LANCE ROTO JET 045		1		
21	06100332	FILTER FOR TURBO LASER FILTER FOR TURBO LASER	FILTER F. TURBO LASER M. O-RING FILTRE TURBO LASER			1	
21A	06120139	O-RING, 10X1 O-RING, 10X1	O-RING JOINT SPY JET	1		1	
23	06261927	KIT FOR VARIABEL SPREDEDYSE KIT FOR ADJUSTABLE NOZZLE	KIT F. SPRÜHDÜSE KIT POUT BUSE VARIABLE	1			
23	06261928	KIT FOR VARIABEL SPREDEDYSE KIT FOR ADJUSTABLE NOZZLE	KIT F. SPRÜHDÜSE KIT BUSE VARIABLE G-250			1	
23-25	06262301	SPULERØR M/ VAR. SPREDEDYSE-SKRUE-450MM, 4.5 LANCE WITH ADJ. NOZZLE - SCREW - 450 MM, 4.5	LANCE A/BUSE A JET VAR, RAC.A VIS-450 MM-4.5		1		
23-25	06290058	VAR.SPREDEDYSE Ø1,12 SORT LANCE WITH ADJ. NOZZLE - SCREW - 600 MM, 3.5	MULTIDÜSE LANCE JET VARIABLE P/250			1	
23-25	06290059	VAR.SPREDEDYSE Ø1,05 GRÅ LANCE WITH ADJ. NOZZLE - SCREW - 600 MM, 3.0	MULTIDÜSE LANCE JET VARIABLE P/230	1			
24	06290072	SPULERØR LIGE, VAR LANCE STRAIGHT, VAR	ROHR F. REGULIERBARE DÜSE LANCE DROITE, VAR	1		1	
25	06290071	SKRUEKOBLING SCREW COUPLING	VERSCHRAUBUNG F. REGULIERBARE DÜSE RACCORD AVIS	1		1	
29	06261964	SPECTRUM KIT, 130 SPECTRUM KIT, 130	SPECTRUM KIT KIT SPECTRUM 230	1			
29	06261966	SPECTRUM KIT, 140 SPECTRUM KIT, 140	SPECTRUM KIT KIT DE REPARATION				1
29	06261967	SPECTRUM KIT, 145 SPECTRUM KIT, 145	SPECTRUM KIT KIT SPECTRUM 401/		1		
30	06262132	ROTO JET DYSE KPL., 3.5 ROTO JET NOZZLE CPL., 3.5	GICLEUR ROTO CPL. 3.5	1		1	
30	06262133	ROTO JET DYSE KPL., 4.0 ROTO JET NOZZLE CPL., 4.0	GICLEUR ROTO CPL. 4.0			1	1
30	06262134	ROTO JET DYSE KPL., 4.5 ROTO JET NOZZLE CPL., 4.5	GICLEUR ROTO CPL. 4.5		1		
31	06260365	HANDGREB TIL ROT. BØRSTER OG ENKELT LANSEØR, HANDLE FOR ROTATING BRUSHES AND SINGLE	HANDGRIFF POIGNEE DE MAINTIEN LANCE	1		1	1
32	06050841	SPULERØR LIGE, Ø13X1,5X586 LANCE STRAIGHT, Ø13X1,5X586	LANZE GERADE TURBO LASER LANCE DROITE TURBO LASER	1		1	1

**Spulerør / Lances / Lanzen / Lance**

Pos.	Ref. no.	Betegnelse Description	Bezeichnung Description	230 A	240 A Hi- flow	250 A	270 A
33	06262221	ROTO DYSE KIT, 3.5 ROTO JET NOZZLE KIT, 3.5	GICLEUR ROTO KIT 3.5	1			1
33	06262222	ROTO DYSE KIT, 4.0 ROTO JET NOZZLE KIT, 4.0	KIT POUR GICLEUR ROTO 040			1	1





## El-komponenter 270 / Electric components 270 / Elektrische komponente 270 / Composantes électrique 270

Pos.	Ref. no.	Betegnelse Description	Bezeichnung Description	230 A	240 A Hi- flow	250 A	270 A
02	06070866	SKRUE, 3,5X12 SCREW, 3,5X12	SCHRAUBE VIS POUR 230/250		9	9	9
05	06200467	START/STOP KONTAKT START/STOP SWITCH	DREHKNOFF BOUTON EXTERIEUR		1	1	1
06	06200465	LAG FOR EL-BOX COVER FOR ELECTRIC BOX	DECKEL FÜR ELEKTROKASTEN COUVERCLE DE BOITE		1	1	1
07	06070883	SKRUE, 4,8X13 SCREW, 4,8X13	VIS, 4,8X13		4	4	4
08	06161005	AFBRYDER, 1X230V 50HZ SWITCH, 1X230V 50HZ	SCHALTER INTERRUPTEUR 2,3 KW 2,3 KW			1	1
09	06200464	ELKASSEBUND BOTTOM FOR ELECTRIC BOX	BODEN F. ELEKTROKASTEN FOND DU COFFRET		1	1	1
10	06161026	TERMINALBLOK, 5P TERMINAL STRIP, 5P	BARETTE DE JONCTION, 5P				1
11	06160508	KONTAKTOR 12A 24V/50-60HZ CONTACTOR , 12A 24V/50-60HZ 230V	SCHUETZ CONTACTEUR 220V POUR PONY				1
11	06160824	KONTAKTOR, 12A 3X400/415V-50HZ CONTACTOR , 12A 3X400/415V-50HZ	SCHUETZ CONTACTEUR PONY 30				1