

# PARTS LIST

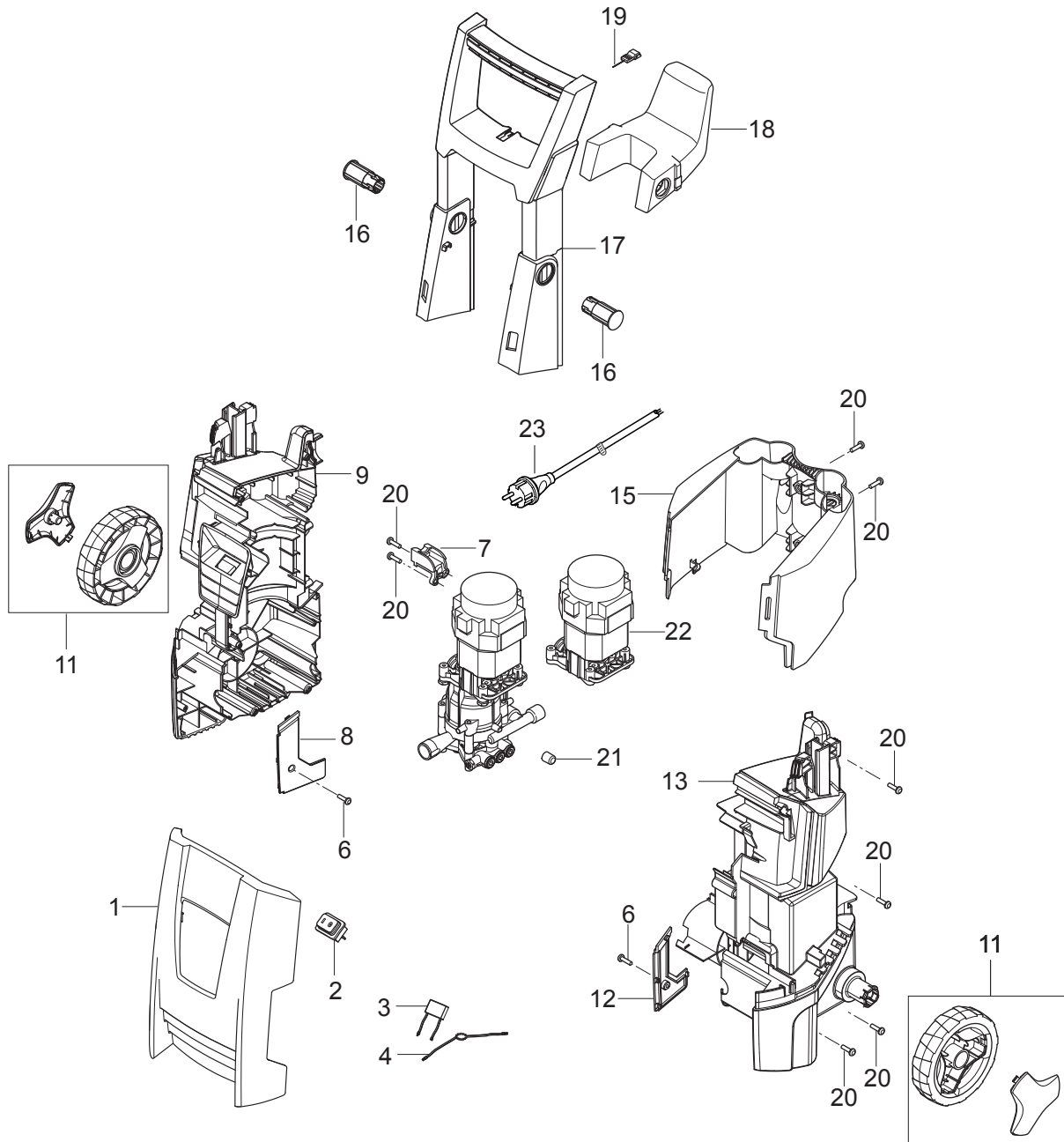


2020.02.02

# TABLE OF CONTENTS

---

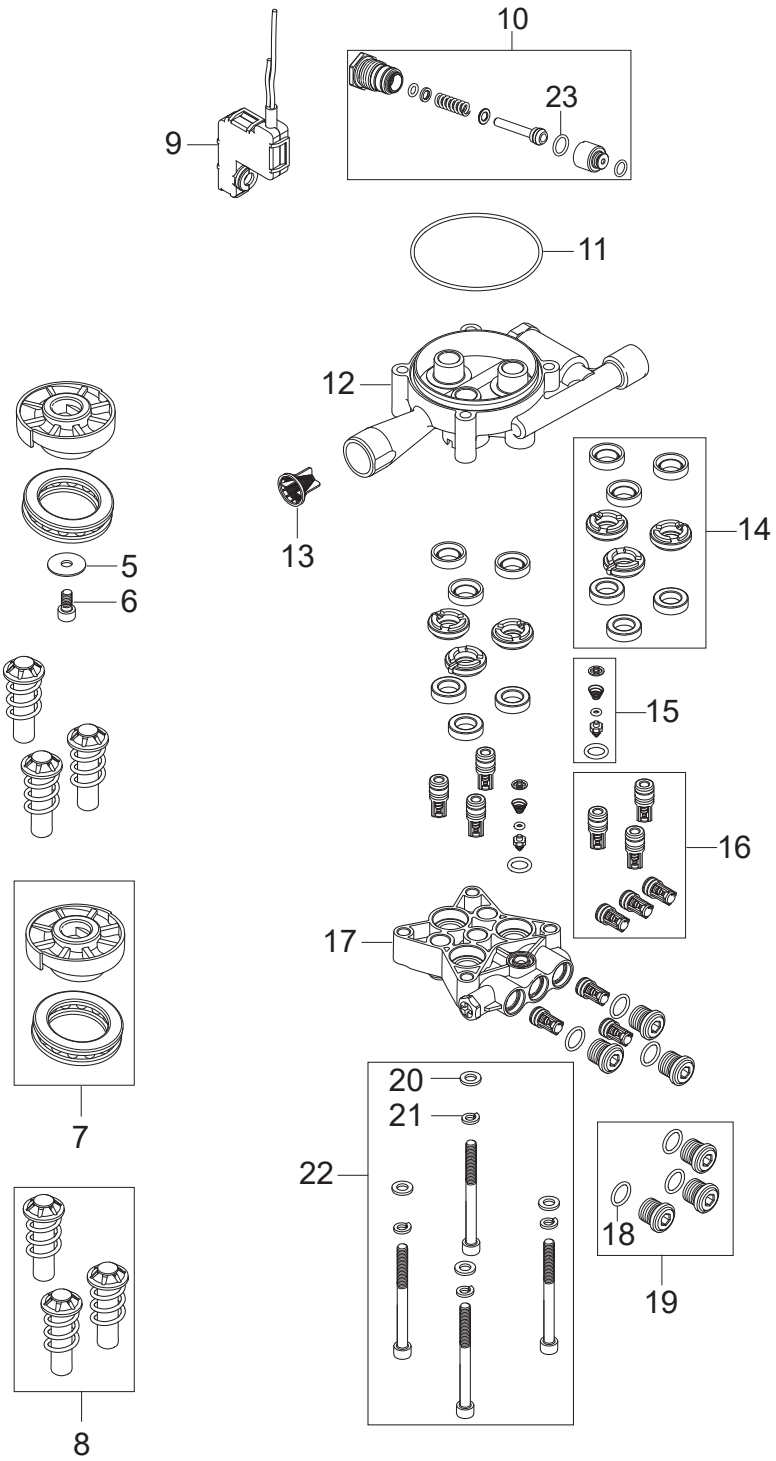
Overview up to serial no 2511xxxx_02_2019.....	1
Motor pump up to serial no 2511xxxx_02_2019.....	3
Overview 2019 from serial no 2511xxx_02_2019.....	5
Motor pump from serial no 2511xxxx/02/2019.....	7
Accessories .....	9



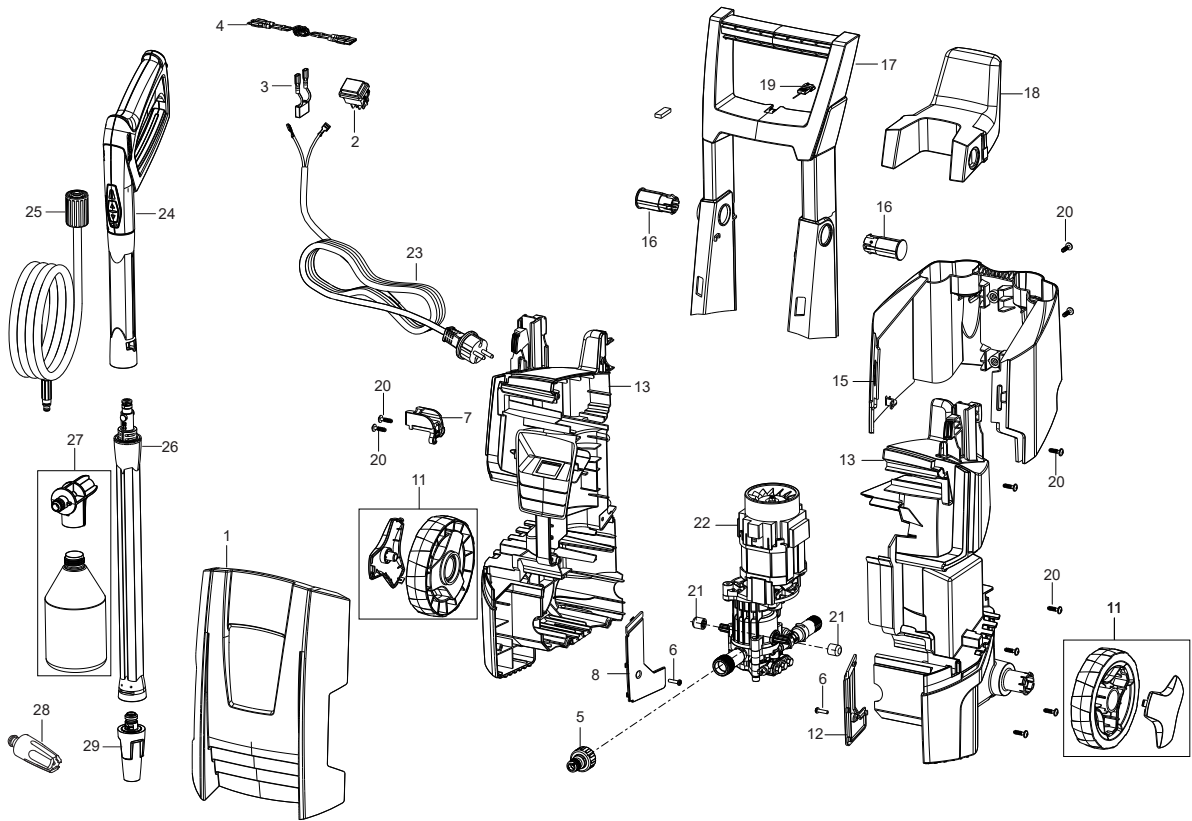
No.	Part No.	Qty.	Description	Part Note
0	128500864	1	10PCS 4C BOX C125.3 AND C130.3	[1]
0	128500865	1	10PCS 4C BOX C125.3 PD	[1]
1	128500878	1	FRONT CABINET W.PRINT C125.3	
1	128500883	1	FRONT CABINET W.PRINT C130.3	
2	127440198	1	MAIN SWITCH	
3	128500492	1	CAPACITOR UNIVERSAL MPX	
4	128500493	1	EMC COIL UNIVERSAL	
6	127440056	2	PLASTIC SCREW M4X16	
7	127440095	1	CABLE RELIEF BLACK	
8	127440096	1	RIGHT LEG COVER BLACK C120.5	
9	128500805	1	RIGHT CHASSIS COMPACT	[2]
10	127440060	2	POWER CABLE HOOKS	
11	128500015	2	WHEEL KIT FOR C120.2	
12	127440099	1	LEFT LEG COVER BLACK C120.5	
13	128500806	1	LEFT CHASSIS COMPACT	[2]
14	127440185	1	OUTLET COVER BLACK	
15	127440065	1	REAR COVER BLACK	
16	127440184	1	PLUG FOR HOSE HOOK BLACK	
17	128500807	1	HANDLE COMPACT	
18	127440068	1	HOSE HOOK	
19	6520844	1	CLEANING TOOL, BLACK	
20	107141838	12	SCREW K50X18 WN1451	
21	128500029	1	RUBBER MOUNT KIT	
22	128500910	1	MOTOR 1.7KW 230V 50HZ	[2]
23	128500022	1	POWER CABLE INDUCTION AUS NZ	[3]

Part Notes:

- [1] - PACKAGING PRUNED
- [2] - STOCK COVERS GUARANTEE
- [3] - GUARANTEE DATE EXPIRED



No.	Part No.	Qty.	Description	Part Note
5	127130066	1	WASHER D22XD6.4X1.5	
6	4818	1	CYLINDER SCREW M6X20 ISO 4762 ST 8.8/ZN	
7	127440248	1	8.1DEG. WOBBLE DISC KIT	
8	127440075	1	DIA.12 PUMP PISTON KIT	
9	127440249	1	MICRO SWITCH BOX KIT	
10	127440077	1	START STOP SYSTEM KIT	
11	127440078	1	O-RING 72X2 SH90	
12	127440079	1	CYLINDER BLOCK	
13	6528574	1	WATER FILTER COMPLETE.	
14	128500993	1	THRUST COLLAR WATER KIT	
15	127440082	1	NON RETURN VALVE KIT	
16	127440083	1	SUCTION AND PRESSURE	
17	127440084	1	CYLINDER BLOCK WITH	
18	127440085	3	O-RING 11.7X2.0 SH90	
19	128500851	1	PRESSURE VALVE PLUG KIT	
20	127500029	4	WASHER	
21	127500050	4	SPRING WASHER	
22	127500071	1	SCREW M6X70 DIN 912 4PCS	
23	128500324	1	O-RING START/STOP VALVE	

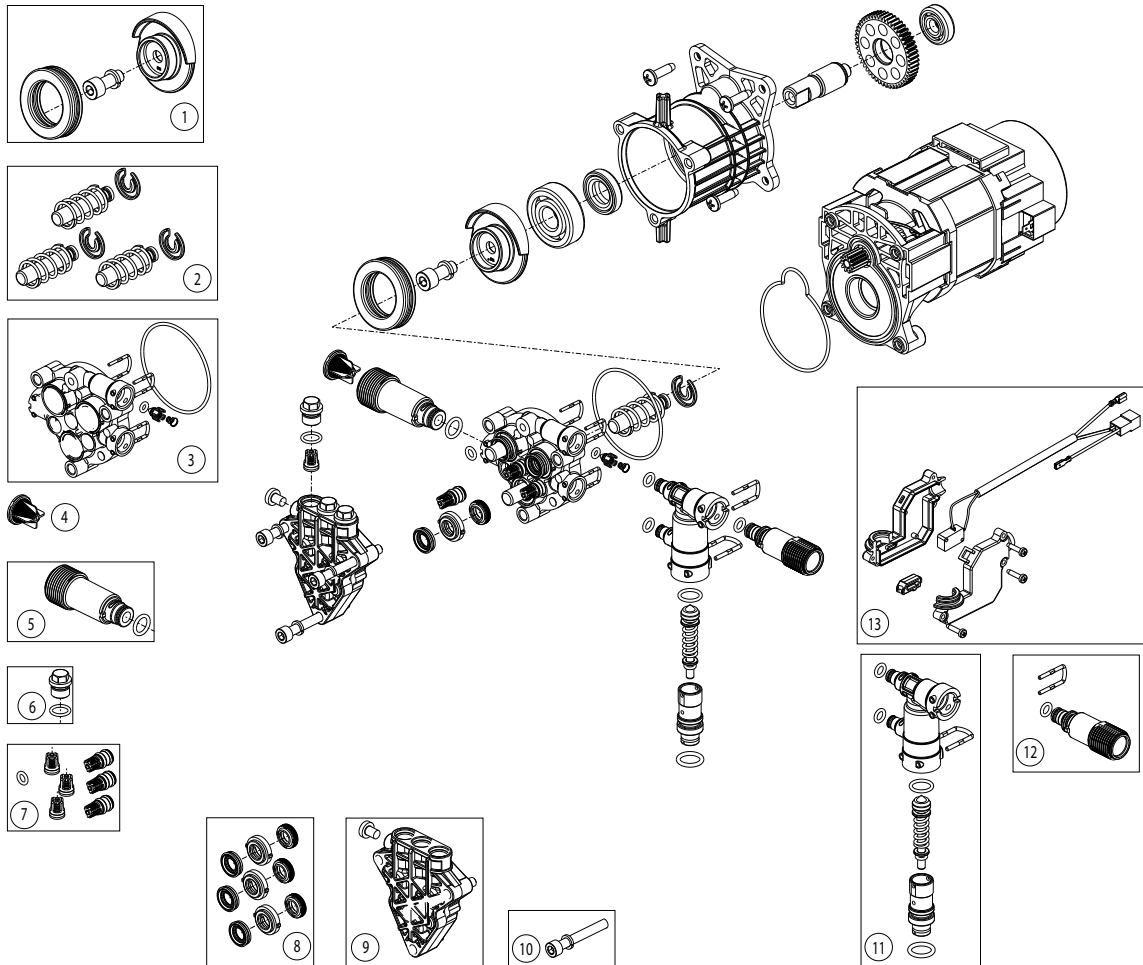


No.	Part No.	Qty.	Description	Part Note
			From serial number see note	[1]
1	128500883	1	FRONT CABINET W.PRINT C130.3	
2	127440198	1	MAIN SWITCH	
3	128500492	1	CAPACITOR UNIVERSAL MPX	
4	128500493	1	EMC COIL UNIVERSAL	
5	1402809	1	QUICK COUPLING MALE W.	
6	127440056	2	PLASTIC SCREW M4X16	
7	127440243	1	CABLE RELIEF BLACK	
8	127440096	1	RIGHT LEG COVER BLACK C120.5	
10	127440060	2	POWER CABLE HOOKS	
11	128500015	2	WHEEL KIT FOR C120.2	
12	127440099	1	LEFT LEG COVER BLACK C120.5	
13	128501512	1	LEFT AND RIGHT CHASSIS COMPACT	
15	127440065	1	REAR COVER BLACK	
16	127440184	1	PLUG FOR HOSE HOOK BLACK	
17	128500807	1	HANDLE COMPACT	
18	127440068	1	HOSE HOOK	
19	6520844	1	CLEANING TOOL, BLACK	
20	107141838	12	SCREW K50X18 WN1451	
21	128500029	1	RUBBER MOUNT KIT	
22		1	MOTOR 1.7KW 230V 50HZ	
23	128500022	1	POWER CABLE INDUCTION AUS NZ	[2]
24	128500060	1	G3 GUN HANDLE GREEN SP	
25	128500858	1	HOSE COMPLETE 8M DN6	
26	128500061	1	G3 NOZZLE TUBE GREEN SP	
27	128500077	1	C&C FOAMSPRAYER WITH BOTT	
28	126481116	1	PR TORNADO YELLOW	
29	128501153	1	C&C POWER SPEED	

Part Notes:

- [1] - CLASSIC 130.3 PC XTRA 25119034/02/2019  
CLASSIC 130.3 PDX XTRA 25119052/02/2019
- [2] - GUARANTEE DATE EXPIRED

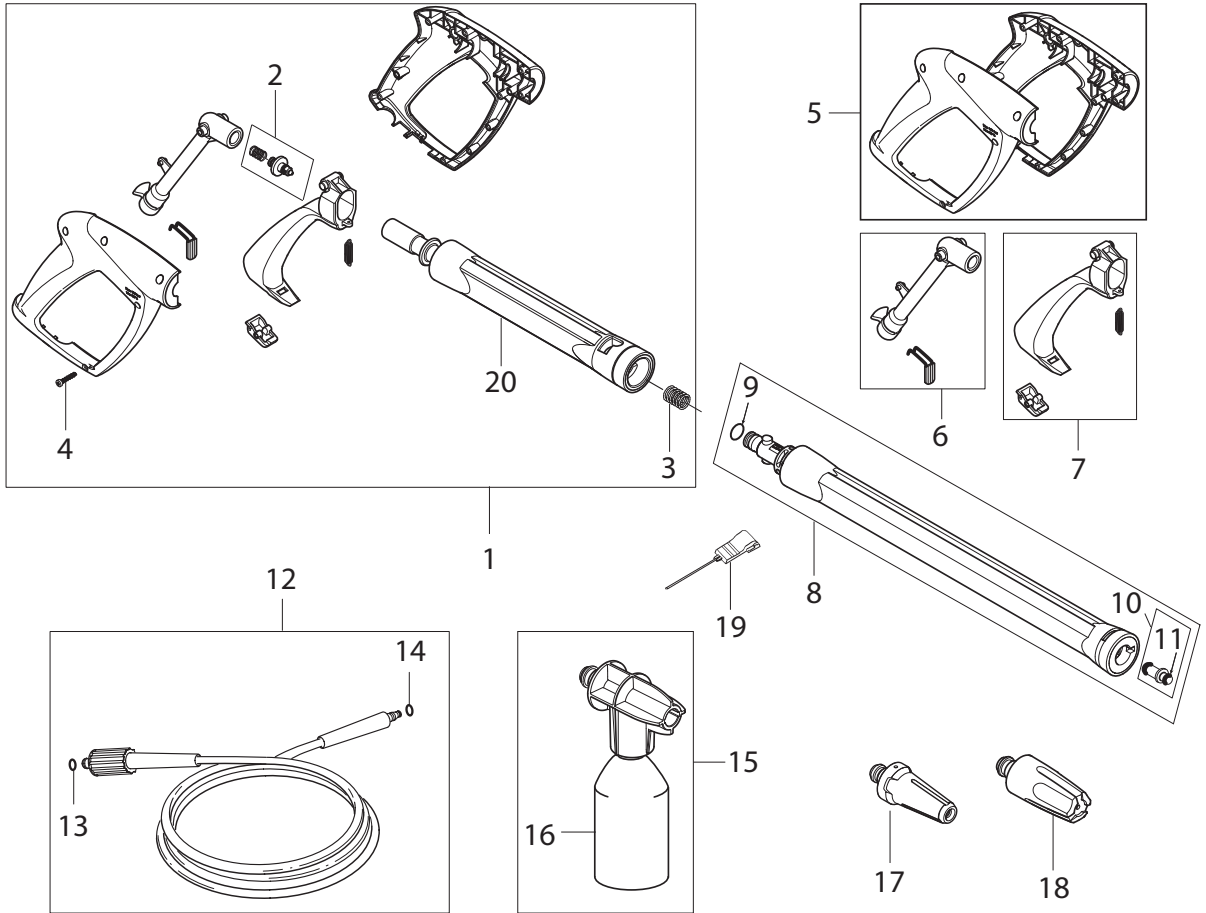




No.	Part No.	Qty.	Description	Part Note
			From serial number see note	[1]
1	128501500	1	WOBBLE DISC KIT 11.8 DEG	
2	128501506	1	DIA.10 PUMP PISTON KIT	
3	128501505	1	CYLINDER BLOCK	
4	6528574	1	WATER FILTER COMPLETE.	
5	128501507	1	WATER INLET	
6	128501501	3	PRESSURE VALVE PLUG KIT	
7	128501502	1	INLET OUTLET VALVE	
8	128501508	1	THRUST COLLAR WATER KIT	
9	128501503	1	CYLINDER HEAD WITH M6X8 SCREW	
10	128501504	3	SCREW M6X55	
11	128501510	1	START STOP SYSTEM KIT	
12	128501509	1	WATER OUTLET SP	
13	128501511	1	MICRO SWITCH BOX KIT	

Part Notes:

- [1] - C135.1-8 EU from serial no. 25118954/02/2019
- C-PG 135.1-8 X-TRA EU from serial no. 25118986/02/2019
- C-PG 135.1-8 X-TRA UK from serial no. 25119018/02/2019
- CLASSIC 130.3 PC XTRA from serial no. 25119034/02/2019
- CLASSIC 130.3 PDX XTRA from serial no. 25119052/02/2019



No.	Part No.	Qty.	Description	Part Note
1	128500060	1	G3 GUN HANDLE GREEN SP	
2	126481133	1	KIT F.G3 GUN SPRING &	
3	126481126	1	SPRING F. INTERMEDIATE	
4	101814698	7	SCREW 3X16	
5	128500487	1	HAND SHELLS BLACK FOR S0 GUN	
6	128500488	1	PRESSURE TUBE W.SPRING BUTTOM	
7	128500489	1	TRIGGER KIT FOR S0 GUN	
8	128500061	1	G3 NOZZLE TUBE GREEN SP	
9	126481125	1	O RING F LANCES	
10	126481109	1	LOW PRESSURE NOZZLE	
11	3004312	1	O RING	
12	128500858	1	HOSE COMPLETE 8M DN6	
13	3001211	1	O-RING 9.6X2.4 NITRIL 70	
13	6411218	1	BAG WITH 10 O-RINGS 30012	
14	3004304	1	O-RING	
15	128500077	1	C&C FOAMSPRAYER WITH BOTT	
16	5300411	1	MIXER BOTTLE WITHOUT CAP	[1]
17	126481115	1	POWERSPEED	
17	128500033	1	C&C POWER SPEED	
18	126481116	1	PR TORNADO YELLOW	
18	128500303	1	C&C TORNADO PR EXCELLENT	
20	128500679	1	INTERMEDIATE TUBE S0	
	128500687	1	FIXED BRUSH SHORT GERNI SP	[2]
	128500701	1	GERNI COMPACT PATIO ACC	

## Part Notes:

- [1] - EXPIRED USE 128501205  
 [2] - NEVER LAUNCHED

