

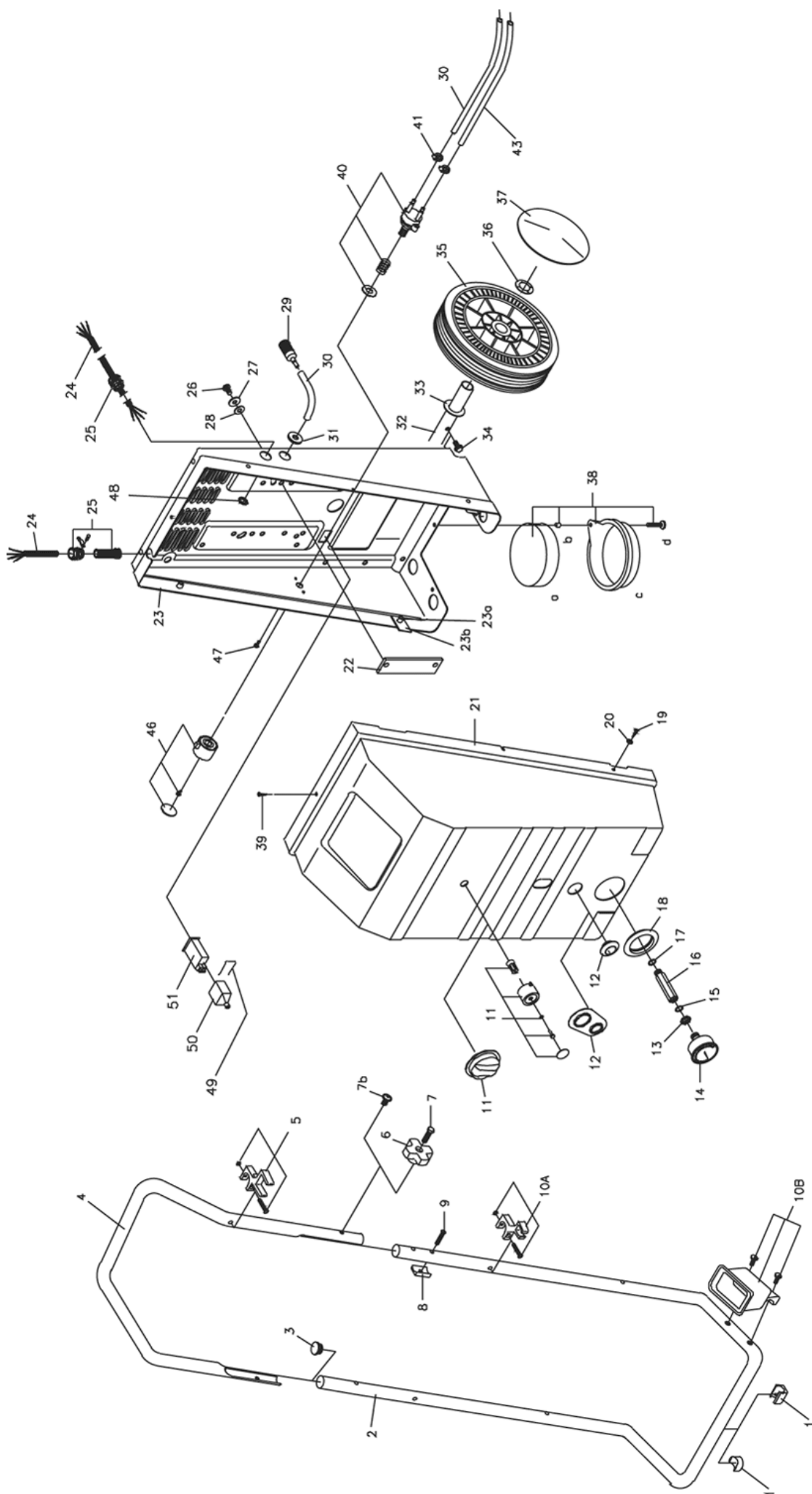
---

# N/G-412A/452A/482A

---

**Reservedelsliste**  
**Spare parts list**  
**Ersatzteilliste**  
**Liste de pièces détachées**

Karosse / Body / Karosserie / Carrosserie . . . . .	2
Pumpe / Pump / Pumpe / Pomp . . . . .	7
Motor / Motor / Motor / Moteur . . . . .	11
EI / Electric components / Elektrische komponente / Composantes électrique . . . . .	16
Pistol 2600 EGT / Pistol 2600 EGT / Pistole 2600 EGT / Pistolet 2600EGT . . . . .	19
Lances / Lances / Lanze / Lance . . . . .	21



## Karosseri / Body / Carrosserie

Pos.	Ref. no.	Betegnelse Description	Bezeichnung Description	412 A	452 A	482 A
0	06300586	TRANSFER TREKANT "OMLØB" TRANSFERS "BY-PASS"	KLEBSTREIFEN MAX UMLAUF 5 MIN. AUTOCOLLANT BY-PASS MAX.55 MIN	1	1	1
0	06301619	TRANSFER "ADVARSEL" TRANSFERS "WARNING"	TRANSFERS WAHRNUNG G-880 AUTOCOL."AVERTISSEMENT"	1	1	1
0	06301922	TRANSFERS GERNI TRANSFERS GERNI	KLEBSTREIFEN GERNI AUTOCOLLANT GERNI	1	1	1
0	06301986	TRANSFERS G-452A TRANSFERS G-452A	AUTOCOLLANT G-452A	1		
0	06301987	TRANSFERS, G412A TRANSFERS, G412A	AUTOCOLLANT, G412A	1		
0	06301988	TRANSFERS N-482 BLÅ TRANSFERS N-482 BLUE	AUTOCOLLANT N-482 BLEU			1
0	06301989	TRANSFERS N-452 BLÅ TRANSFERS N-452 BLUE	AUTOCOLLANT N-452 BLEU	1		
0	06301990	TRANSFERS N-412 BLÅ TRANSFERS N-412 BLUE	AUTOCOLLANT N-411 BLEU	1		
01	06200635	DUPSKO, Ø25X30 CAP, Ø25X30	PATTE SUPPORT G 260PX	1	1	1
02	06051053	STØTTEBEN SUPPORTING LEG	BIPIED	1	1	1
03	06200064	DUPSKO, 25 CAP, 25	KAPPE BOUT	2	2	2
04	06050886	KØREHÅNDTAG, Ø25X21124 OPERATION HANDLE, Ø25X21124	FAHRHANDGRIFF POIGNEE G 640 - 660 - 690	1	1	1
05	06261765	HOLDER FOR PISTOL KPL. HOLDER FOR PISTOL	HALTER F. LANZE SUPPORT DE LANCE	1	1	1
07	06070287	SÆTSKRUE, M8X20 SET SCREW, M8X20	VIS D'ARRET, M8X20	2	2	2
08	06200204	AFSTANDSKLODS SPACER BLOCK	STUELZE BLOC INTERMEDIAIRE	4	4	4
09	06070386	SKRUE, 6X40 SCREW, 6X40	SCHRAUBE S/K VIS T/R	4	4	4
10B	06261766	HOLDER FOR SPULERØR HOLDER FOR LANCE	HALTER F. LANZE SUPPORT DE LANCE	1	1	1
11	06200638	START/STOP KONTAKT START/STOP SWITCH	CONTACTEUR MISE EN MARCHÉ	1	1	1
12	06200639	AFDÆKNINGSSKIVE, G402 COVERING DISC, G402	VIS DE COUVERTURE, G402	1	1	1
13	06080246	MØTRIK FOR MANOMETER, 1/8 NUT F. PRESSURE GAUGE, 1/8	ECROU POUR MANOMETRE, 1/8	1	1	1
14	06220056	MANOMETER, BAR/PSI PRESSURE GAUGE, BAR/PSI	MANOMETRE G412A-452A-482A	1	1	1
15	06120309	O-RING, 4,47X1,78 O-RING, 4,47X1,78	O-RING JOINT TORIQUE	1	1	1

## Karosser / Body / Karosserie / Carrosserie

Pos.	Ref. no.	Betegnelse Description	Bezeichnung Description	412 A	452 A	482 A
16	06181543	MANOMETERSTUDS, G412/452 PRESSURE GAUGE SOCKET, G412/452	RACCORD DE MANOMETRE, G412/452	1	1	
16	06181544	MANOMETERSTUDS, G482 PRESSURE GAUGE SOCKET, G482	RACCORD DE MANOMETRE, G482			1
17	06120267	O-RING, Ø10.82X1.78 O-RING, Ø10.82X1.78	O-RING JOINT	1	1	1
18	06120346	GUMMIANCHET, Ø50 RUBBER SLEEVE, Ø50	GUMMIANCHETTE F. MANOMETRE JOINT POUR MANOMETRE MANO MANOMETRE	1	1	1
19	06070024	SELVSKÆRENDE SKRUE, 1/2"X8 SELF-TAPPING SCREW, 1/2"X8	SELBSTSCHNEIDENDE SCHRAUBE VIS TARAUDEUSE GALVA	3	3	3
20	06080087	SPÆNDESKIVE, M8 TENSION DISC, M8	SCHEIBE, GALV. DISQUE	3	3	3
21	06240291	KAROSSE GRØN, G482 BODY GREEN, G482	CARROSSE VERT, G482			1
21	06240292	KAROSSE GRØN, G412/452 BODY GREEN, G412/452	CARROSSE VERT, G412/452	1	1	
21	06240293	KAROSSE GRÅ, N482 BODY GREY, N482	CARROSSE GRIS, N482			1
21	06240294	KAROSSE GRÅ, N412/452 BODY GREY, N412/452	CARROSSE GRIS, N412/452	1	1	
22	06120454	VIBRATIONSPLADE, 144X38X6 VIBRATION PLATE, 144X38X6	SCHWINGUNGSTAFEL PLAQUE DE VIBRATIONS G-410/350/460	2	2	
22	06120455	VIBRATIONSPLADE, 164X40X6 VIBRATION PLATE, 164X40X6	SCHWINGUNGSTAFEL PLAQUE DE VIBRATIONS G-480			2
23	06211632	BUNDRAMME, KPL, G 3/4/660 BOTTOM FRAME, CPL., G 3/4/660	BODENRAHMEN KPL 3/4/660 CADRE DE FONDO 0	1	1	1
23A	06070509	POP-NUT STÅL, 6M/M POP NUT STEEL, 6M/M	POP NUT STAHL RIVET TUBULAIRE D'ACIER	2	2	2
23B	06061249	BESLAG FOR KAROSSE, 33X39X1,0 FITTINGS FOR BODY, 33X39X1,0	BESCHLAG F. KAROSSERIE ARMATURE P. CARROSSE	2	2	2
24	06160074	EL-STIK, 10AMP-380V *DK ELECTRIC PLUG, 10AMP-380V *DK	EL-STECKER STOSSFEST GRUEN/ROT *DK PRISE EL-RESISTANT AU CHOC *DK	1	1	1
24	06160156	TILGANGSKABEL GUMMI, 4X1.5X8000 INLET CABLE RUBBER, 4X1.5X8000	GKSOJ-HAUPTKABEL CABLE ALIMENTAT.=160708		1	1
24	06160352	EL-STIK, *DK ELECTRIC PLUG, *DK	EL-STECKER M. ERDLEITER STOSSFEST PRISE ELECTRIQUE DE TERRE MALE	1		
24	06160489	TILGANGSKABEL GUMMI, 4X2.5X8000 INLET CABLE RUBBER, 4X2.5X8000	KABEL HAUPTLEITUNG, SPANIEN CABLE PRINCIPAL, SPAIN			1
24	06160664	TILGANGSKABEL, GUMMI SPAN IEN	EINLASSKABEL GUMMI, SPANIEN CABLE D'ENTREE EN CAOUTCHOUC, L'ESPAGNE	1		
24	06160741	ELSTIK M. KABEL, PLAST, *GB ELECTRIC PLUG W. CABLE, PASTIC, *GB	STECKER M/PLASTIK KABEL UK PRISE ELECTRIQUE A. CABLE PLASTIQUE	1		
24	06160745	TILGANGSKABEL GUMMI, 3X1.5X8000 INLET CABLE RUBBER, 3X1.5X8000	EINLASSKABEL GUMMI CABLE D'ENTREE EN CAOUTCHOUC			1

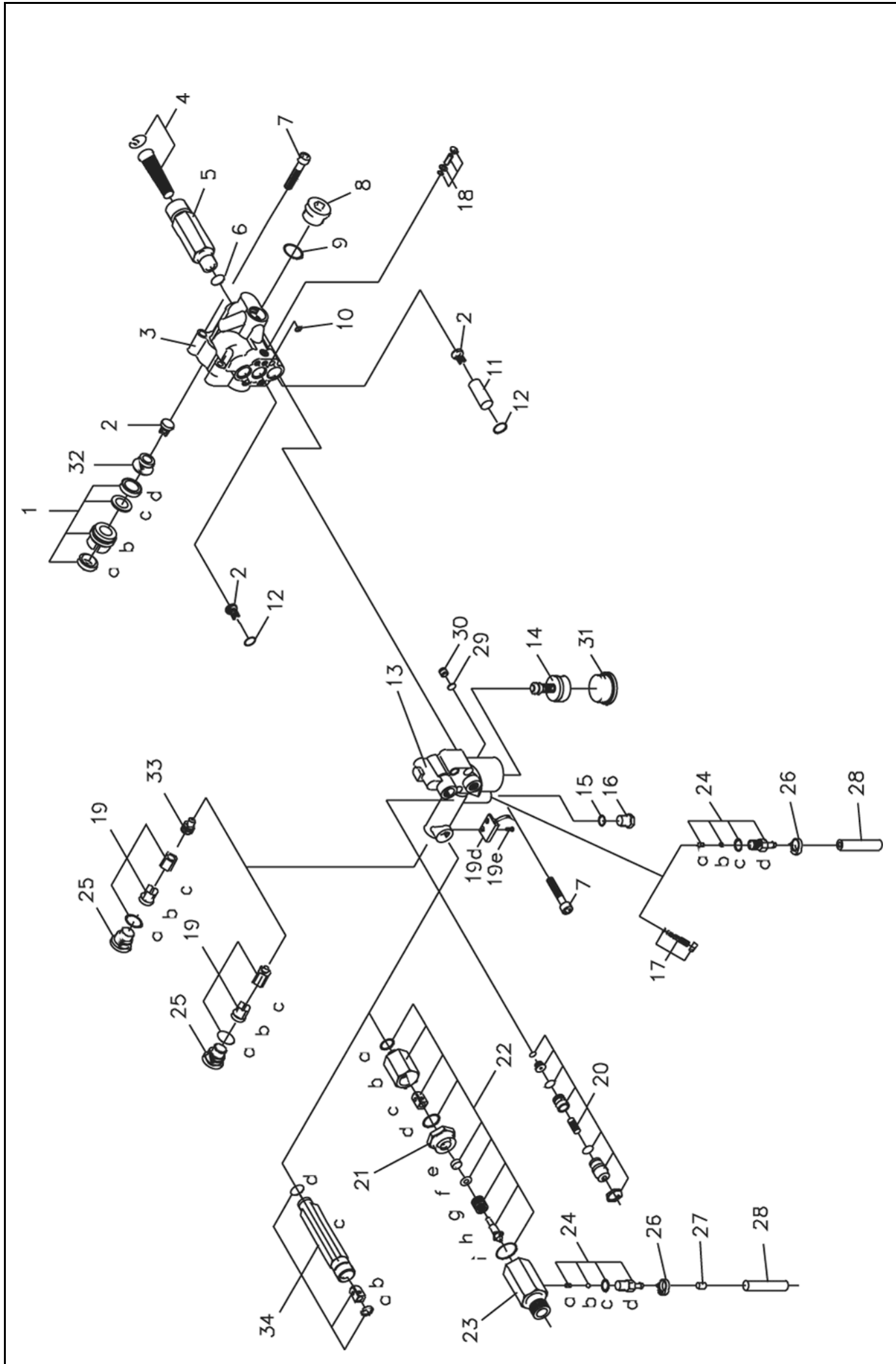
## Karosseri / Body / Karosserie / Carrosserie

Pos.	Ref. no.	Betegnelse Description	Bezeichnung Description	412 A	452 A	482 A
25	06161065	KABELAFLASTNING, M20 CABLE RELIEF, M20	DECHARGEMENT DE CABLE, M20	1	1	1
26	06070107	SÆTSKRUE, M8X35 SET SCREW, M8X35	SETZSCHRAUBE GALV VIS D'ARRRET GALV.	4	4	4
27	06080156	GUMMISKIVE, Ø20XØ8X1,5 RUBBER DISC, Ø20XØ8X1,5	PLASTIKSCHEIBE, SCHWARZ, GUMMI DISQUE EN PLASTIQUE NOIRCCAOUTCHOUC	4	4	4
28	06080201	SPÆNDESKIVE, M8 TENSION DISC, M8	FEDERSCHEIBE, GALV. DISQUE	4	4	4
29	06100316	FILTER FOR KEMI DETERGENT FILTER	REINIGUNGSMITTELFILTER ASPIRATION DETERGENT	1	1	1
30	06110423	KEMISLANGE, 1/4" X 1450 MM DETERGENT HOSE, 1/4" X 1450 MM	REINIGUNGSMITTELSCHLAUCH, AUSSEN G-600 TUYAU	1	1	1
31	06120336	GUMMIGENNEMFØRING, Ø14XØ24 RUBBER GROMMET, Ø14XØ24	GUMMIDURCHFUEHRUNG TRAVERSEE CAOUTCHOUC	1	1	1
32	06050887	HJULAKSEL, Ø25X2X442 WHEEL AXLE, Ø25X2X442	RADWELLE ARBRE DE ROUE	1	1	1
33	06080075	SPÆNDESKIVE, 45X25.5X1.5 TENSION DISC, 45X25.5X1.5	FEDERSCHEIBE F. RAD, GALV. RONDELLE DE SERRAGE POURUUE	2	2	2
34	06070394	SKRUE, 8X16 SCREW, 8X16	TAPTITE 6KT GALV. VIS	2	2	2
35	06130223	HJUL, 25/47.5-250/65 WHEEL, 25/47.5-250/65	ROUE 2500/2500/2700A	2	2	2
36	06080136	LÅSESKIVE U/KAPPE, Ø25 MM LOCK WASHER WITHOUT CAP, Ø25 MM	FEDERTELLERSCHEIBE OHNE KAPPE BAGUE DENTEEON	2	2	2
37	06130224	NAVKAPSEL GRØN, RAL 6005 HUB CAP GREEN, RAL 6005	ENJOLIVEUR ROUE "VERT"	2	2	2
37	06130225	NAVKAPSEL BLÅ, RAL 5013 HUB CAP BLUE, RAL 5013	ENJOLIVEUR BLEU, RAL 5013	2	2	2
39	06070874	SKRUE, 4.2X13 HFC 198 SCREW, 4.2X13 HFC 198	VIS, 4.2X13 HFC 198	1	1	1
40	06211201	PLASTVENTIL KOMPLET PLASTIC DETERGENT VALVE CPL.	PLASTIK REINIGUNGSMITTELVENTIL KPL VANNE PLASTIQUE G-2000/60ST. CPL.	1	1	1
41	06110494	SPÆNDEBAND, 10-12 RETAINING RING, 10-12	SCHLAUCHSCHELLE FRETTE	2	2	2
43	06110652	SLANGE, 1/4"X350 MM HOSE, 1/4"X350 MM	TUYAU GO 650MM	1	1	1
46	06261769	PLASTKNAPKIT BUTTON KIT, PLASTIC	KIT F. PLASTIK KNOPF KIT POUR BOUTON EN	1	1	1
47	06070772	SKRUE, 3.5X20 SCREW, 3.5X20	SCHRAUBE VIS 3.5X20	2	2	2
48	06161066	MØTRIK, M20 NUT, M20	ECROU, M20	1	1	1
49	06280201	LÅSEBØJLE LOCK FITTINGS	GARNITURE DE SERRURE	1	1	1

**Karosse / Body / Karosserie / Carrosserie**

Pos.	Ref. no.	Betegnelse Description	Bezeichnung Description	412 A	452 A	482 A
49-51	06262329	TIMETZELLER KIT, 401/600 HOUR METRE KIT, 401/600	COMPTER HORAIRE KIT, 401/600	1	1	1
50	06200557	BESKYTTELSESHÆTTE PROTECTION CAP	MANCHON PIENROULEUR	1	1	1
51	06220055	TIMETZELLER, 230V HOUR METRE, 230V	COMPTER HORAIRE, 230V	1	1	1

Pumpe / Pump / Pumpe / Pomp



## Pumpe / Pump / Pumpe / Pomp

Pos.	Ref. no.	Betegnelse Description	Bezeichnung Description	412 A	452 A	482 A
0	06120411	O-RING, 8,73X1,78 O-RING, 8,73X1,78	O-RING JOINT TORIQUE	1	1	1
0	06261598	PUMPEKIT KIT FOR PUMP, 300/400 50/60 HZ	PUMPEKIT KIT COUPELLE CLAPET POUR	1	1	1
0	06360606	PUMPE KPL., G412 50/60HZ PUMP CPL., G412 50/60HZ	POMPE CPL., G412 50/60HZ	1		
0	06360607	PUMPE KPL., G452 50/60HZ PUMP CPL., G452 50/60HZ	POMPE CPL., G452 50/60HZ		1	
0	06360608	PUMPE KPL., G482 50/60HZ PUMP CPL., G482 50/60HZ	POMPE CPL., G482 50/60HZ			1
01	06261489	KIT FOR MANCHET KIT FOR CUP	KIT F. MANSCHETTE KIT P. COUPELLE G-310/350/	1	1	1
02	06261599	VENTILKIT KIT FOR VALVE, 880 50/60 HZ	KIT VENTILE KIT CLAPETS	1	1	1
03	06181134	TOPSTYKKE, 310/350 CYLINDER HEAD, 310/350	ZYLINDERKOPF CULAS.CYLIND. G-300/400/3/350	1	1	1
04	06260825	VANDFILTERKIT, G-100 WATER FILTER KIT, G-100	WASSERFILTERKIT FILTRE EAU G 100	1	1	1
05	06181139	TILGANGSSTUDS, 27X97 INLET SOCKET, 27X97	EINLASSSTUTZEN RACCORD D'ENTREE EAU G-300	1	1	1
06	06120282	O-RING, 14X1,78 O-RING, 14X1,78	O-RING JOINT TORIQUE 14 X 1,78	1	1	1
07	06070451	UNBRACO SKRUE, M8X45 ALLEN SCREW, M8X45	IMBUSSBOLZEN, GALV. INTRAVIS GALV.	8	8	8
08	06181419	PROP, Ø24X12 PLUG, Ø24X12	BOUCHON 2300/2500/2700	1	1	1
11	06181033	AFSTANDSSTYKKE, Ø15.3X37,5 DISTANCE PIECE, Ø15.3X37.5	ZWISCHENSTUECK PIECE INTERMEDIAIRE	2	2	2
13	06181314	TRYKMANIFOLD PRESSURE MANIFOLD	DRUCKMANIFOLD COLLECTEUR PRESS. 310/350	1	1	1
13	06261754	TRYKMANIFOLD, KPL. PRESSURE MANIFOLD, CPL.	DRUCKMANIFOLD, KPL. CULASSE 310/350/402	1	1	1
14	06261485	OMLØBSVENTILKIT KIT FOR BY-PASS VALVE, G300/400/4000	KIT F. UMLAUFVENTIL KIT VAN.BY-PASS G310/350/	1	1	1
16	06181085	PROP, Ø12X15,5 PLUG, Ø12X15,5	PFROPFEN F. RUECKSCHLAGVENTIL CAPUCHON P. CONTRE-VANNE	1	1	1
17	06261488	JUSTERSKRUE OMLØB ADJUSTING SCREW - BY-PASS	STELLSKRAUBE - UMLAUF VIS REGLAGE BY-PASSL. L.	1	1	1
18	06261131	JUSTERSKRUE ADJUSTING SCREW	JUSTIERSKRAUBE F. MANOMETERDRUCK VIS REGLAGE PRESS.OUVERT.N D'OUVERTURE	2	2	2
19	06261486	FLOWSTYRING KOMPLET FLOW CONTROL CPL., 400	STROEMUNGSWAECHER KIT P.FLOW SWITCH G-410/4	1	1	1
19B	06211353	FLOWSTEMPEL KPL. FLOW PISTON CPL.	STROEMUNGSKOLBEN KPL. PISTON DE FLOW	1	1	1

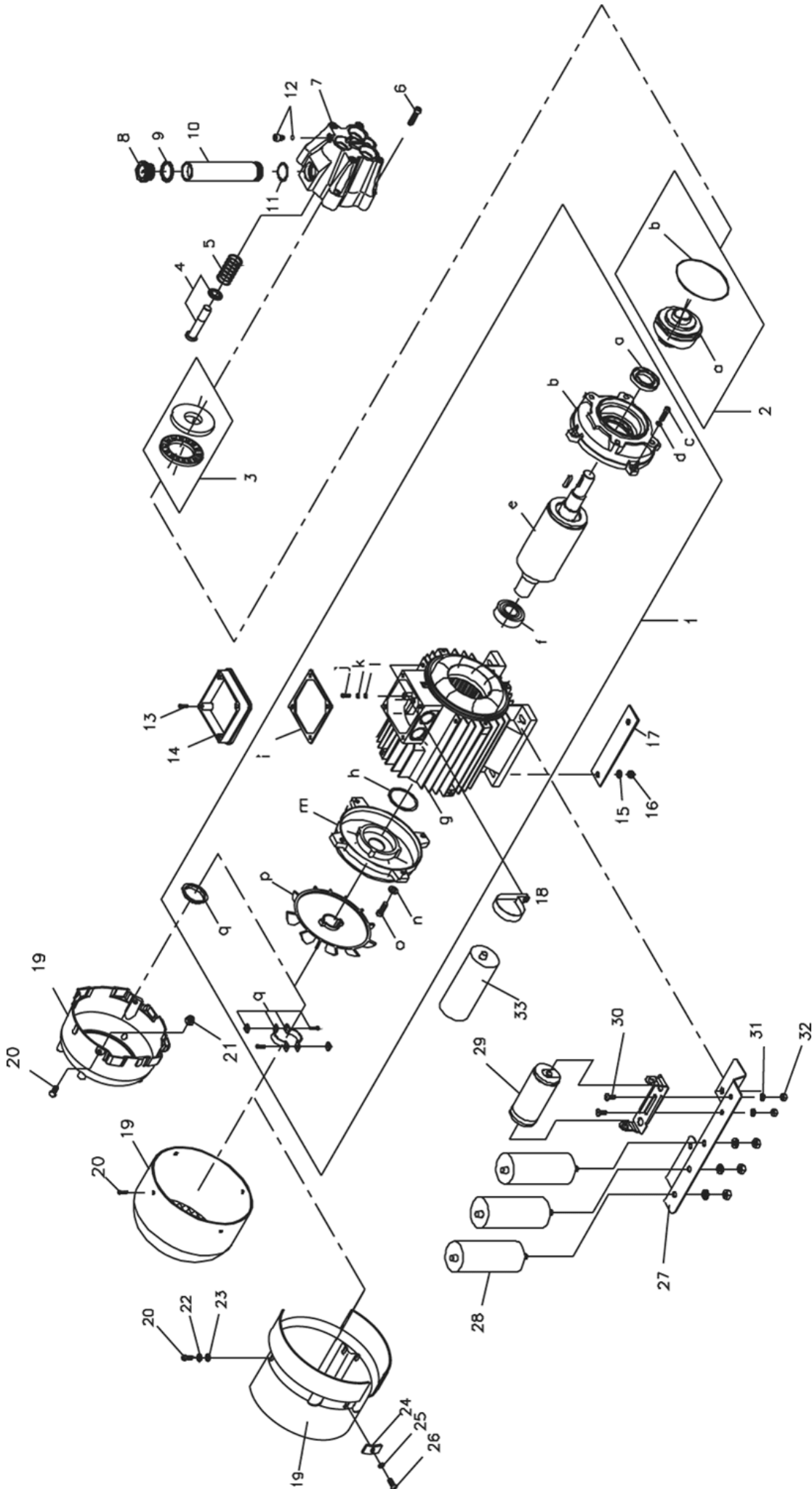


## Pumpe / Pump / Pumpe / Pomp

Pos.	Ref. no.	Betegnelse Description	Bezeichnung Description	412 A	452 A	482 A
19C	06181262	HUS FOR KONTRAVENTIL, G880 HOUSE FOR NON-RETURN VALVE, G880	VANNE ANTI RETOUR 4500C-	1	1	1
19D	06170240	REED-KONTAKT, 850 MM REED-SWITCH, 850 MM	INTERRUPTEUR REED G880	1	1	1
19E	06070736	SKRUE, 3X6 SCREW, 3X6	SCHRAUBE P/K VIS	2	2	2
20	06261740	SIKKERHEDSVENTIL KIT FOR SAFETY VALVE, 3/400/880/4000 MRK 2	SICHERHEITSVENTILKIT KIT VANNE DE SURETE	1	1	1
21	06181068	MANCHEITHOLDER, 32X30 CUP HOLDER, 32X30	MANSCHEITENHALTER F. REINIGUNGS- SUPPORT COUPLELLE: DE DETE. DE DETERGENT	1	1	1
24	06261484	KIT FOR KUGLEKONTRAVENTIL KIT FOR NON-RETURN VALVE	KIT F. RUECKSCHLAGVENTIL KIT VAN.ANTIRET.G300/400 BILLE	1	1	1
24C	06120246	O-RING, Ø3.68X1.78 O-RING, Ø3.68X1.78	O-RING JOINT TORIQUE	1	1	1
25	06181130	PROP FOR AFGANG, Ø26X24 PLUG FOR OUTLET, Ø26X24	PFROPFEN F. AUSSLASS - DRUCKMANIFOLD CAPUCHON DE DEPART	1	1	1
26	06110494	SPÆNDEBÅND, 10-12 RETAINING RING, 10-12	SCHLAUCHSCHELLE FRETTE	1	1	1
28	06110652	SLANGE, 1/4"X350 MM HOSE, 1/4"X350 MM	TUYAU GO 650MM	1	1	1
28	06110657	KEMISLANGE, 600 MM DETERGENT HOSE, 600 MM	TUYAU DE DETERGENT, 600 MM	1	1	1
29	06120087	O-RING, 5.28X1.78 O-RING, 5.28X1.78	O-RING JOINT TORIQUE	1	1	1
30	06181061	PROP, 1/8"RGX8 PLUG, 1/8"RGX8	PFROPFEN F. OELMESSTAB CAPUCHON	1	1	1
31	06181039	PROP FOR OMLØB, Ø38X17 PLUG FOR BY-PASS, Ø38X17	PFROPFEN F. UMLAUF CAPUCHON POUR BY-PASS	1	1	1
32	06181032	STØTTEBØSNING, Ø25.8X16 SUPPORTING SLEEVE, Ø25.8X16	STUETZBUCHSE BAGUE DE SUPPORT	3	3	3
33	06181154	INJEKTORDYSE, Ø13X22 INJECTOR NOZZLE, Ø13X22	INJEKTORDUESE GICLEUR D"INJECTEUR G-310	1		
33	06181155	INJEKTORDYSE, Ø13X22 INJECTOR NOZZLE, Ø13X22	INJEKTORDUESE GICLEUR D"INJECTEUR G-350		1	
33	06181540	INJEKTORDYSE INJECTOR NOZZLE	GICLEUR D"INJECTOR			1
34A	06080271	LÅSERING, Ø14X1 LOCKING RING, Ø14X1	JOINT D'ARRET, □14X1	1	1	1
34B	06180960	DRØVELVENTIL FOR FLOWST. THROTTLER VALVE FOR FLOW CONTROL, 11X11X18.8	DROSSELVENTIL F. STROEMUNGSKONTROLLE SOUPAPE RENIFL.P.COND.FLOONDUITE DE FLOW	1	1	1
34C	06181532	AFGANGSSTUJS, 482 OUTLET SOCKET, 482	RACCORD DE DEPART, 482			1
34C	06181533	AFGANGSSTUJS, 412/452 OUTLET SOCKET, 412/452	RACCORD DE DEPART, 412/452	1	1	1

**Pumpe / Pump / Pumpe / Pomp**

Pos.	Ref. no.	Betegnelse Description	412 A	452 A	482 A
34D	06120282	O-RING, 14X1,78 O-RING, 14X1,78	1	1	1



## Motor / Motor / Moteur

Pos.	Ref. no.	Betegnelse Description	Bezeichnung Description	412 A	452 A	482 A
01	06360609	MOTOR KPL., G412 110V 50HZ MOTOR CPL., G412 110V 50HZ	MOTEUR CPL., G412 110V 50HZ	1		
01	06360610	MOTOR KPL., G412 230V 50HZ MOTOR CPL., G412 230V 50HZ	MOTEUR CPL., G412 230V 50HZ	1		
01	06360611	MOTOR KPL., G412 230V 60HZ MOTOR CPL., G412 230V 60HZ	MOTEUR CPL., G412 230V 60HZ	1		
01	06360612	MOTOR KPL., G452 200V 50-60HZ MOTOR CPL., G452 200V 50-60HZ	MOTEUR CPL., G452 200V 50-60HZ		1	
01	06360613	MOTOR KPL., G452 230-415V 50HZ MOTOR CPL., G452 230-415V 50HZ	MOTEUR CPL., G452 230-415V 50HZ		1	
01	06360614	MOTOR KPL., G482 200V 50-60HZ MOTOR CPL., G482 200V 50-60HZ	MOTEUR CPL., G482 200V 50-60HZ			1
01	06360615	MOTOR KPL., G482 230-415V 50HZ MOTOR CPL., G482 230-415V 50HZ	MOTEUR CPL., G482 230-415V 50HZ			1
01	06360616	MOTOR KPL., G482 230-400V 60HZ MOTOR CPL., G482 230-400V 60HZ	MOTEUR CPL., G482 230-400V 60HZ			1
01B	06181521	MOTORFLANGE MOTOR FLANGE	BRIDE DE MOTEUR	1	1	
01B	06181522	MOTORFLANGE, B100 MOTOR FLANGE, B100	BRIDE DE MOTEUR, B100			1
01C	06070796	SÆTSKRUE GALV	GEWINDESTIFT VIS D'ARRRET GALVANISEE	8	8	8
01D	06080016	SPÆNDESKIVE, 6 MM TENSION DISC, 6 MM	FEDERSKHEIBE, GALV. RONDELLE DE SERRAGE	8	8	8
01E	06270400	ROTORAKSEL, 1X230V 50HZ 2,3KW C ROTOR AXLE, 1X230V 50HZ 2,3KW C	ARBRE DE ROTOR, 1X230V 50HZ 2,3KW C	1		
01E	06270401	ROTORAKSEL, 1X230V 60HZ 2,3KW C ROTOR AXLE, 1X230V 60HZ 2,3KW C	ARBRE DE ROTOR, 1X230V 60HZ 2,3KW C	1		
01E	06270402	ROTORAKSEL, 1X110V 50HZ 2,3 KW C ROTOR AXLE, 1X110V 50HZ 2,3 KW C	ARBRE DE ROTOR, 1X110V 50HZ 2,3 KW C	1		
01F	06140039	KUGLELEJE BALL BEARING	KUGELLAGER 6205 ZZR C3.L12 ROULEMENT 6205 G 600	1	1	
01F	06140040	KUGLELEJE, 8X7X35 BALL BEARING , 8X7X35	KUGELLAGER 6206 ZZR.C3.L12 ROULEMENT 6206 G 600			1
01I	06120542	PAKNING GASKET	DICHTUNG F. LEITERKASSE JOINT P. BOITE A BORNES	1	1	
01I	06120574	PAKNING GASKET	JOINT			1
01J	06070511	TAP TITE P/H, M4X8 TAP TITE P/H, M4X8	SCHRAUBE VIS 4X8 HFC 266	1	1	1
01K	06080046	STJERNESKIVE, M4 TOOTH LOCK WASHER, M4	STERNSCHEIBE, GALV. RONDELLE	1	1	1
01L	06080014	SPÆNDESKIVE, M4 TENSION DISC, M4	FEDERSKHEIBE, GALV. RONDELLE DE SERRAGE	1	1	1

## Motor / Motor / Moteur

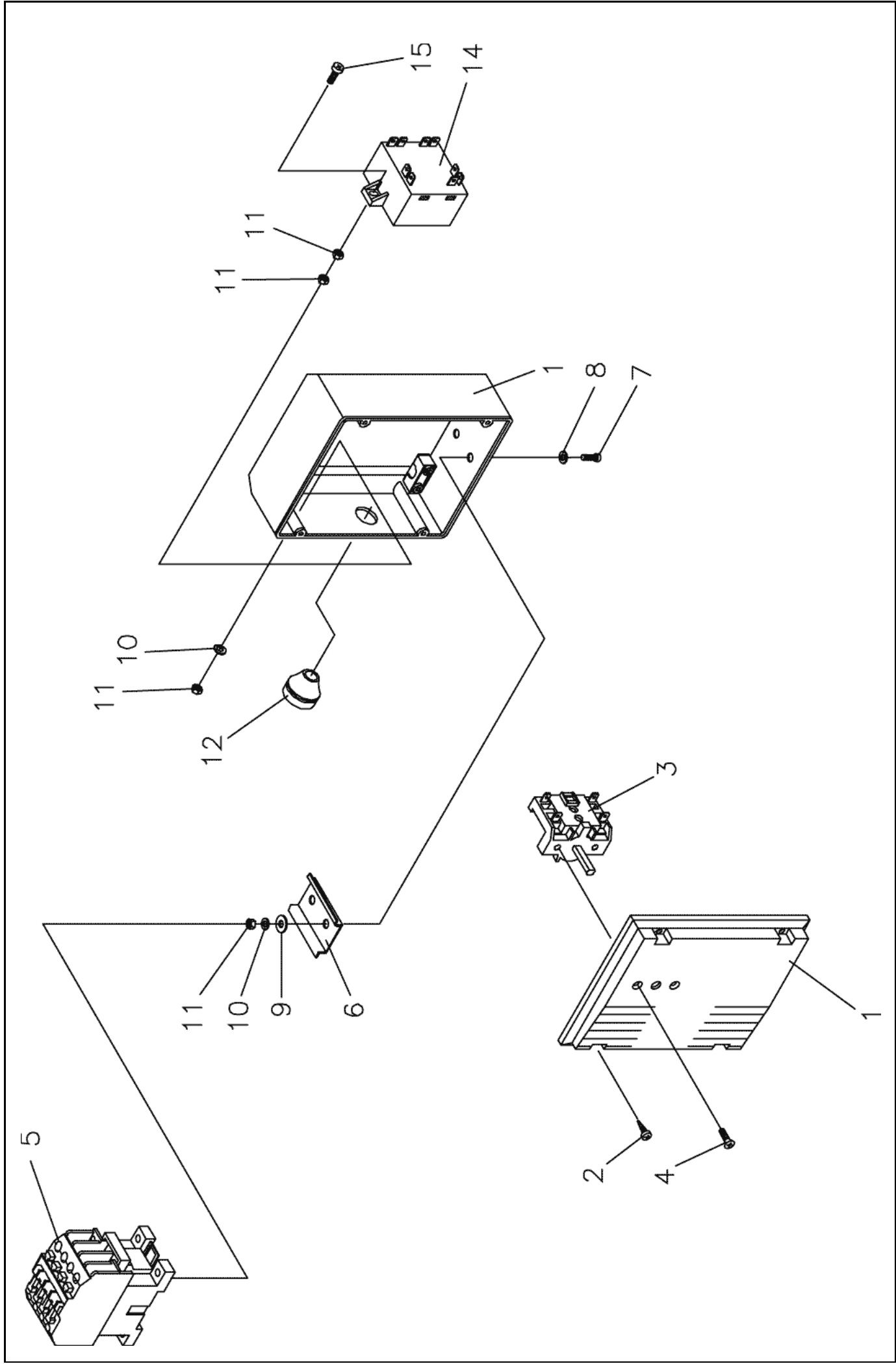
Pos.	Ref. no.	Betegnelse Description	Bezeichnung Description	412 A	452 A	482 A
01M	06270337	MOTORFLANGE MOTOR FLANGE	BRIDE DE MOTEUR	1	1	
01M	06270415	MOTORFLANGE, B100 MOTOR FLANGE, B100	BRIDE DE MOTEUR, B100			1
01N	06080016	SPÆNDESKIVE, 6 MM TENSION DISC, 6 MM	FEDERSKEIBE, GALV. RONDELLE DE SERRAGE	8	8	8
01O	06070796	SÆTSKRUE GALV	GEWINDESTIFT VIS D'ARRRET GALVANISEE	8	8	8
01P	06270238	VENTILATORVINGE, PLAST FAN BLADE, PLAST	VENTILATORFLUEGEL AILETTE SOUFFLANTE G 350	1	1	
01P	06270336	VENTILATORVINGE FAN BLADE	HELICE G 230 - 250 - 270		1	
01P	06270416	VENTILATORVINGE FAN BLADE	AILETTE SOUFFLANTE			1
01Q	06270338	KOBLING, KPL. COUPLING, CPL.	ACCOUPLLEMENT CPL.	1	1	
01Q	06270417	KOBLING, KPL. COUPLING, CPL.	ACCOUPLLEMENT, CPL.			1
02	06262354	SKRÅKIVEKIT, 50 HZ CAM DISC KIT, 50 HZ	DISQUE INCLINE, KIT, 50 HZ	1		
02	06262355	SKRÅKIVEKIT, 60HZ CAM DISC KIT, 60HZ	DISQUE INCLINE, KIT, 60HZ	1		
02	06262356	SKRÅKIVEKIT, 50 HZ CAM DISC KIT, 50 HZ	DISQUE INCLINE, KIT, 50 HZ		1	
02	06262357	SKRÅKIVEKIT, 60HZ CAM DISC KIT, 60HZ	DISQUE INCLINE, KIT, 60HZ		1	
02	06262358	SKRÅKIVEKIT, 50 HZ CAM DISC KIT, 50 HZ	DISQUE INCLINE, KIT, 50 HZ			1
02	06262359	SKRÅKIVEKIT, 60HZ CAM DISC KIT, 60HZ	DISQUE INCLINE, KIT, 60HZ			1
02B	06120413	O-RING, 85X2,5 O-RING, 85X2,5	O-RING 70 GRAD JOINT TORIQUE	1	1	1
03	06261684	KIT FOR TRYKLEJE, 350/400/4000 KIT FOR THRUST BEARING, 350/400/4000	DRUCKLAGERKIT ROULEMENT DE G 350 (R.062	1	1	1
04	06261504	STEMPELKIT 1 STK., G-300/400/4000 PISTON KIT 1 PCS., G-300/400/4000	KIT F. KOLBEN KPL. KIT PISTON CPL G310/350/4	3	3	3
05	06280143	TILHOLDERJEDER, 31X3,5X59 6,5V1 PRESSURE SPRING, 31X3,5X59 6,5V1	DRUCKFEDER RESSORT DE PRESSION	3	3	3
06	06070451	UNBRACO SKRUE, M8X45 ALLEN SCREW, M8X45	IMBUSSBOLZEN, GALV. INTRAVIS GALV.	4	4	4
07	06181558	STEMPELSTYR PISTON GUIDE	GUIDE PISTON	1	1	1
08	06120577	OLIEGLAS, 3/4" OIL GLASS, 3/4"	BOUCHON VER.HUILE=262469	1	1	1

## Motor / Motor / Moteur

Pos.	Ref. no.	Betegnelse Description	Bezeichnung Description	412 A	452 A	482 A
09	06120580	PAKING FOR OLIEØJE GASKET, Ø31XØ26X1,5	JOINT, □31X□26X1,5	1	1	1
10	06181551	RØR, Ø30X145 TUBE, Ø30X145	TUBE , □30X145	1	1	
10	06181552	RØR, Ø30X135 TUBE, Ø30X135	TUBE , □30X135			1
11	06120051	O-RING, 25.3X2,4 O-RING, 25.3X2,4	O-RING JOINT TORIQUE	1	1	1
12	06261494	OLIEAFTAPNINGSPROP KPL., 3/400,881,4001 DRAIN PLUG CPL., 3/400,881,4001	OELABLASSTOPFEN KPL. CAPUCHON P.VID.G300/400LIL. CPL.	1	1	1
13	06070893	SKRUE, 4,8X32 SCREW, 4,8X32	VIS, 4,8X32	4	4	4
14	06200537	MELLEFLANGE, G402 INTERMEDIATE FLANGE, G402	BRIDE, G402	1	1	1
15	06080004	SPÆNDESKIVE, 8,4X17X1,6 TENSION DISC. 8,4X17X1,6	FEDERSKIBE, GALV. RONDELLE	4	4	4
16	06080038	MØTRIK, M8 NUT, M8	SELBSTSCHLIESSENDE MUTTER, GALV. ECROU	4	4	4
17	06120454	VIBRATIONSPLADE, 144X38X6 VIBRATION PLATE , 144X38X6	SCHWINGUNGSTAFEL PLAQUE DE VIBRATIONS G-410/350/460	2	2	
17	06120455	VIBRATIONSPLADE, 164X40X6 VIBRATION PLATE , 164X40X6	SCHWINGUNGSTAFEL PLAQUE DE VIBRATIONS G-480			2
18	06110672	HOLDER FOR CONDENSATOR, 110V/50 HZ FITTINGS FOR CONDENSATOR, 110V/50 HZ	ANNEAU POUR CONDENSATEUR, 110V/50 HZ	1		
19	06270259	VENTILATIONSDEKSEL, MEZ 90/100 FAN COVER, MEZ 90/100	VENTILATIONSDECKEL CARTER DE MOTEUR G-350		1	
19	06270335	VENTILATIONSDEKSEL FAN COVER	VENTILATORDECKEL CARTER DE PROTECTION	1	1	1
20	06070085	SÆTSKRUE, M8X16 SET SCREW, M8X16	SETZSCHRAUBE, GALV. VIS D'ARRET, GALVANISEE			4
20	06070778	SKRUE, 3,9X9,5 SCREW, 3,9X9,5	VIS, 3,9X9,5	4		
20	06181147	AFSTANDSSKRUE, 11X18 DISTANCE SCREW, 11X18	ABSTANDSSCHRAUBE VIS DE REGLAGE		4	
21	06080270	MØTRIK, M8 NUT, M8	ECROU, M8			4
22	06070811	MØTRIK, M4X16 NUT, M4X16	ECROU, M4X16		4	
23	06080014	SPÆNDESKIVE, M4 TENSION DISC. M4	FEDERSKIBE, GALV. RONDELLE DE SERRAGE		4	
24	06200380	SPÆNDESTYKKE RECTANGULAR WASHER	SPANNSTUECK RONDELLE G-300/400/4000 S SOUF.		1	
25	06080103	SPÆNDESKIVE, M5 TENSION DISC. M5	FEDERSKIBE, GALV. RONDELLE		2	

**Motor / Motor / Moteur**

Pos.	Ref. no.	Betegnelse Description	Bezeichnung Description	412 A	452 A	482 A
26	06070358	SKRUE, 5X16 SCREW, 5X16	SCHRAUBE P/H 5X16 HFC 9041 VIS		1	
27	06061499	BESLAG FOR KONDENSATOR FITTINGS FOR CONDENSATOR	ARMATURE P. CONDENSATEUR	1		
28	06270107	DRIFTSKONDENSATOR, 110V/50HZ WORKING CAPACITOR, 110V/50HZ	BETRIEBSKONDENSATOR 80UF CONDENSATEUR DE MISE EN MARCHÉ 80UF	2		
28	06270183	KONDENSATOR, 60 ÁF CAPASITOR, 60 µF	BETRIEBSKONDENSATOR G-1500 CONDENSATEUR 1500	1		
29	06270319	KONDENSATOR, 315-400 ÁF CAPASITOR, 315-400 µF	CONDENSATEUR, 315-400 ÁF	1		
30	06070742	SKRUE, 6X16 SCREW, 6X16	SCHRAUBE VIS 6X16 GALV.	2		
31	06080114	SKIVE, M6 WASHER, M6	STERNSCHEIBE RONDELLE A DENTS	5		
32	06080058	MØTRIK, M6 NUT, M6	MUTTER, GALV. ECROU	5		
33	06270413	KONDENSATOR, 55 ÁF CAPASITOR, 55 µF	CONDENSATEUR, 55 ÁF	1		





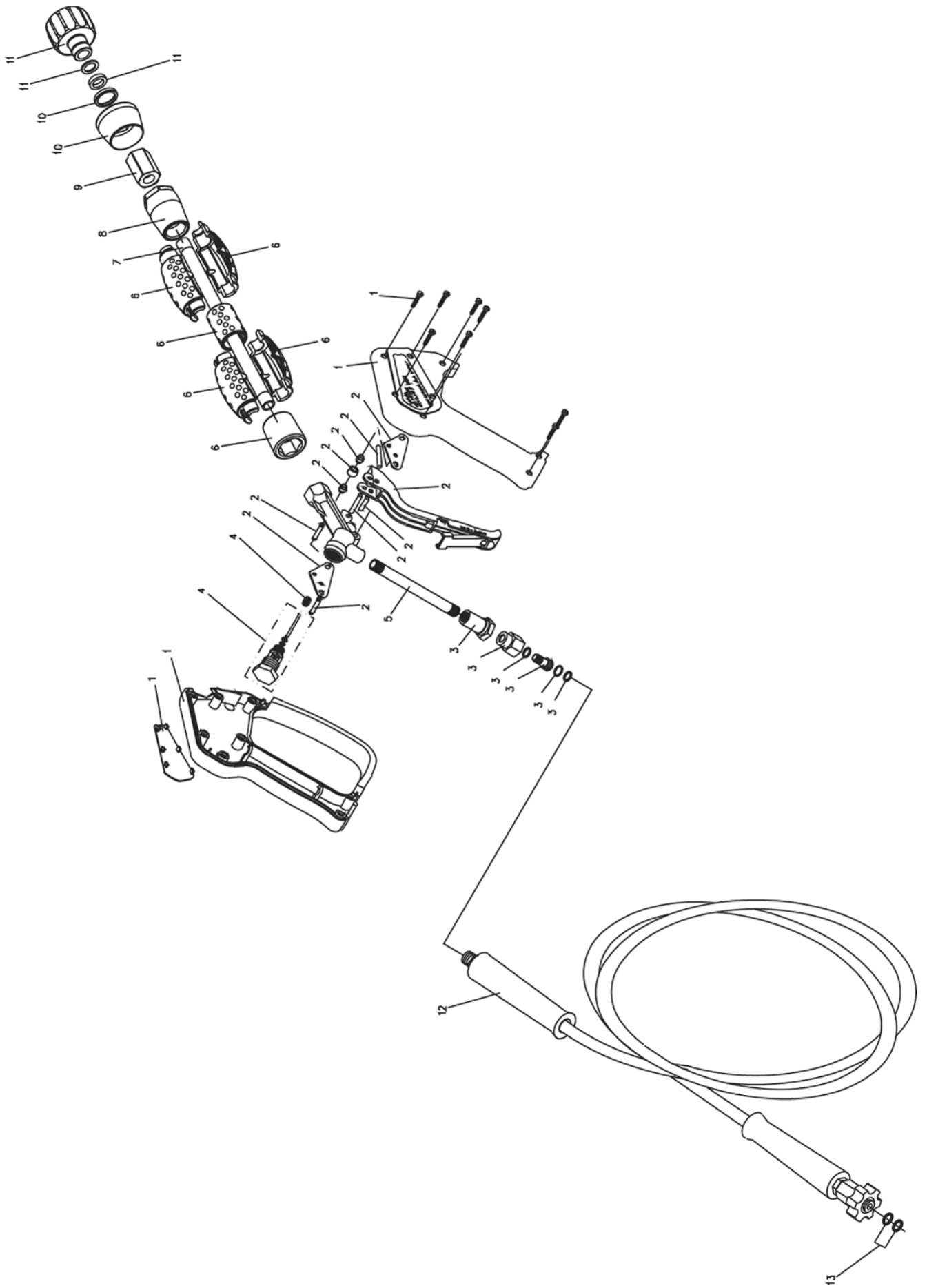
## El/Electric components / Elektrische komponente / Composantes électrique

Pos.	Ref. no.	Betegnelse Description	Bezeichnung Description	412 A	452 A	482 A
01	06200541	ELKASSE, 3X200-230/400-440 ELECTRIC BOX, 3X200-230/400-440	BOITE ELECTRIQUE, 3X200-230/400-440	1	1	1
01	06200542	ELKASSE, 1X230-3X400-415V (AU) ELECTRIC BOX, 1X230-3X400-415V (AU)	BOITE ELECTRIQUE, 1X230-3X400-415V (AU)	1	1	1
01	06200545	ELKASSE, 1X230 50/60HZ ELECTRIC BOX, 1X230 50/60HZ	BOITE ELECTRIQUE, 1X230 50/60HZ	1		
01	06200546	ELKASSE, 1X1100V 50HZ ELECTRIC BOX, 1X1100V 50HZ	BOITE ELECTRIQUE, 1X1100V 50HZ	1		
02	06070508	SELVSKERENDE SKRUE, 3,9X13 SELF-TAPPING SCREW, 3,9X13	SELBSTSCHNEIDENDE SCHRAUBE VIS	4	4	4
03	06161083	DREJEAFBRYDER, 0-1 SWITCH, 0-1	INTERRUPTEUR, 0-1	1	1	1
03	06161084	DREJEAFBRYDER, 0-1-AUTO SWITCH, 0-1-AUTO	INTERRUPTEUR 412/452/482	1	1	1
04	06070327	SKRUE, M4X8 SCREW, M4X8	SCHRAUBE, VERSENKT X Z VIS UHJ X Z	2	2	2
05	06160174	KONTAKTOR, 1X230-240V 50-60 HZ CONTACTOR, 1X230-240V 50-60 HZ	SCHUETZ DANFOSS CONTACTEUR CI 15 1 X 220V	1		
05	06160285	KONTAKTOR, 3X200-230V 50 HZ CONTACTOR, 3X200-230V 50 HZ	SCHUETZ DANFOSS CONTACTEUR DANFOSS	1	1	1
05	06160721	KONTAKTOR, 25A 1X110V CONTACTOR, 25A 1X110V	SCHUETZ CONTACTEUR	1		
05	06160823	KONTAKTOR, 25A 3X200-230V 60HZ CONTACTOR, 25A 3X200-230V 60HZ	SCHUETZ CONTACTEUR C125 37H0051-29 60 HZ	1	1	1
05	06160853	KONTAKTOR C115 400V-50HZ CONTACTOR, 15/16A 3X400-440V 50 HZ	SCHUETZ CONTACTEUR 380V G-640/660	1	1	1
06	06160909	DIN-SKINNE, 7.5X45 MM DIN RAIL, 7.5X45 MM	DIN GLEIS DIN CERCLE	1	1	1
07	06070340	SKRUE, 4X10 SCREW, 4X10	SCHRAUBE, P/K, GALV. VIS	2	2	2
08	06080014	SPÆNDESKIVE, M4 TENSION DISC, M4	FEDERSKEIBE, GALV. RONDELLE DE SERRAGE	2	2	2
09	06080087	SPÆNDESKIVE, M8 TENSION DISC, M8	SCHEIBE, GALV. DISQUE	2	2	2
10	06080046	STJERNESKIVE, M4 TOOTH LOCK WASHER, M4	STERNSKEIBE, GALV. RONDELLE	3	3	3
11	06080056	MØTRIK, M4 NUT, M4	MUTTER, GALV. ECROU	5	5	5
12	06120111	PAKASE, C 5-7 STUFFING BOX, C 5-7	STOPFBUCHSE PRESSE-ETOUPE CAOUTCHOUC	2	1	1
13	06120558	GUMMIGENNEMFØRING RUBBER GROMMET	TRAVERSEE CAOUTCHOUC2300/	1		
14	06270322	STARTRELÆ, 110V STARTING RELAY, 110V	RELAIS DE DEMARRAGE	1		

**EI / Electric components / Elektrische Komponente / Composantes électrique**

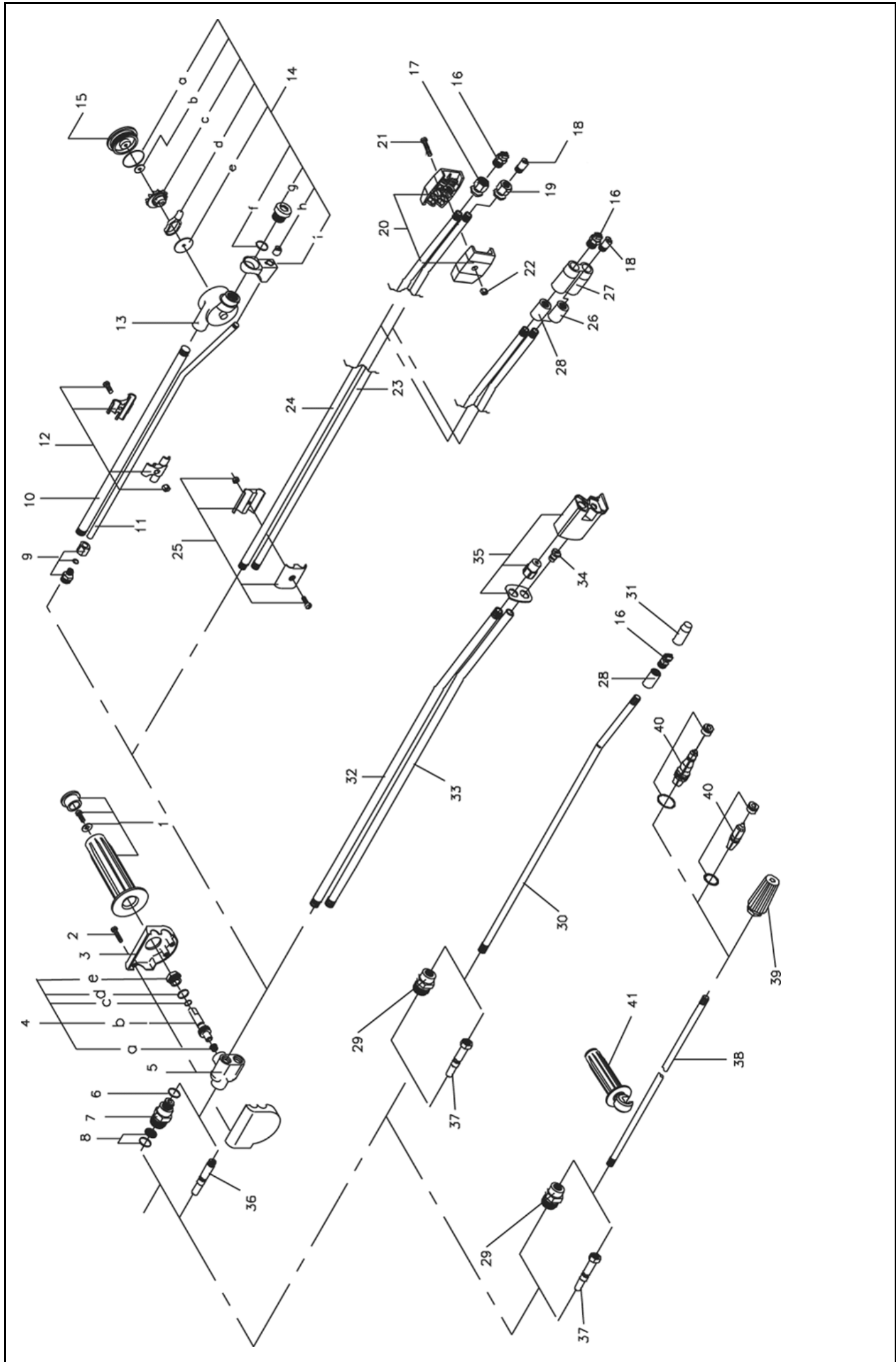
Pos.	Ref. no.	Bezeichnung Description	412 A	452 A	482 A
15	06070341	SKRUE, 4X16 SCREW, 4X16	1		

Pistol 2600 EGT / Pistol 2600 EGT / Pistole 2600 EGT / Pistolet 2600EGT



## Pistol 2600 EGT / Pistol 2600 EGT / Pistole 2600 EGT / Pistol 2600 EGT

Pos.	Ref. no.	Betegnelse Description	Bezeichnung Description	412 A	452 A	482 A
0	06290111	PISTOL - EGT 2600 - LANG MED SWIVEL, LYNKOBLING PISTOL - EGT 2600 - LONG W. SWIVEL, QUICK COUP.	PISTOLET EGT2600 RAC.RAPI	1	1	1
0	06290121	O-RINGSKIT FOR PISTOL O-RING KIT FOR PISTOL	JOINT A LEVRE .P/290111	1	1	1
01	06290119	PISTOLKROP KPL. PISTOL HOUSING CPL.	CORPS PISTOLET 290111	1	1	1
02	06290120	AFTRÆKKER KIT PULLER KIT	KIT DETENTE P/PIST.290111	1	1	1
03	06290122	DREJELED, KPL. SWIVEL, CPL.	JOINT TOURN.P/PIST.290111	1	1	1
04	06290123	VENTIL KPL. VALVE CPL.	VANNE P/PISTOLET 290111	1	1	1
05	06290124	TILGANGSRØR INLET PIPE	TUYAU D'ENTREE P/290111	1	1	1
06	06290125	KAPPEKIT CAP KIT	PROTECTION P/290111	1	1	1
07	06290126	FORRØR FOR PISTOL FRONT PIPE FOR PISTOL	TUBE AVANT P/PISTOL.290111	1	1	1
08	06290127	AFSTANDSSTYKKE DISTANCE PIECE	ENTRETOISE P/PISTOL290111	1	1	1
09	06290128	MUFFE SOCKET	MANCHON P/PISTOL 290111	1	1	1
10	06290129	AFSTANDSSTYKKE DISTANCE PIECE	ENTRETOISE P/PISTOL290111	1	1	1
11	06290130	LYNKOBLING KPL. QUICK COUPLING CPL.	RACCORD RAPID.PIST.290111	1	1	1
12	06110475	HØJTRYKSSLANGE DN8X10M HIGH PRESSURE HOSE, 3/8"X3/8" NIPPLE, Ø8 MM 10 M	HØCHDRUCKSCHLAUCH M. SCHRAUBENKUPPLUNGEN TUYAU H.P.SCHIF-AV.RAC.AEER A/RAC. A VIS	1	1	1
13	06260936	PAKNINGSKIT F. SKRUEKOB. GASKET KIT FOR SCREW COUPLING	DICHTUNGSKIT F. SCHRAUBENKUPPLUNG KIT JOINT RACCORD VIS VIS	1	1	1



## Lances / Lances / Lanze / Lance

Pos.	Ref. no.	Betegnelse Description	Bezeichnung Description	412 A	452 A	482 A
01	06260232	HANDTAGSKIT F. SPULERØR HANDLE KIT	HANDGRIFFKIT F. DOPPELLANZE KIT SERVICE AVEC POIGNEENNE DOUBLE	1	1	1
02	06070479	SKRUE, 4X20 SCREW, 4X20	SCHNEIDSCHRAUBE, SCHWARZZINK VIS	3	3	3
03	06200097	PYNTEDÆKSEL F. VENTILHUS COVER F. VALVE HOUSING	STAUWKAPPE F. VENTILGEHAE COUVERCLEOR. D. VAN OR. D. VAN	1	1	1
04	06260860	VENTILSPINDEL KIT VALVE SPINDLE KIT	VENTILSPINDELKIT F. DRUCKREGELUNG KIT REGLAGE PRESSION DOUBLE. PRES.	1	1	1
04C	06120006	O-RING, 6,75X1,78 O-RING, 6,75X1,78	O-RING JOINT TORIQUE MAT 4470	1	1	1
04D	06120010	O-RING, 13,1X1,6 O-RING, 13,1X1,6	O-RING JOINT TORIQUE MAT 4470	1	1	1
04E	06190245	MØTRIK NUT	MUTTER F. VENTIL ECROU POUR VANNE DOUB.LAN	1	1	1
05	06211078	VENTILHUS VALVE HOUSING	VENTILGEHAEUSE, KPL. CULASSE LANCE DOUBLE ET	1	1	1
06	06120188	O-RING, 10X2 O-RING, 10X2	O-RING JOINT TORIQUE	1	1	1
07	06030484	SKRUEKOBLING 1/4 UD.V. SCREW COUPLING ROTATABLE, 1/4"	SCHR.KUPPLUNG DREHBAR F.DOPPELLANZE ACCOUPL. VIS TOURNANT DBL LANCE DOUBLE	1	1	1
08	06100332	FILTER FOR TURBO LASER FILTER FOR TURBO LASER	FILTER F. TURBO LASER M. O-RING FILTRE TURBO LASER	1	1	1
08A	06120139	O-RING, 10X1 O-RING, 10X1	O-RING JOINT SPY JET	1	1	1
09	06030527	BRYSTNIPPEL, 8X1/4" BREAST NIPPLE, 8X1/4"	GEWINDESTUECK RACCORD	1	1	1
0A	06261373	TURBO-LASER 600 MM TURBO LASER W. PRES. REG. - SCREW - 600 MM, 4.0	TURBO LASER 600 MM TURBO LASER 600MM			1
0A	06261461	TURBO LASER M/ TRYKREG. - SKRUE - 600 MM, 4.5+ TURBO LASER W. PRES. REG. - SCREW - 600 MM, 4.5+	TURBO LASER 600 MM TURBO LASER 600MM G-310/4	1		
0A	06261889	TURBO LASER M/ TRYKREG. - SKRUE - 600 MM, 4.5 TURBO LASER W. PRES. REG. - SCREW - 600 MM, 4.5	TURBO LASER TURBO LASER 600MM 481A			1
0A	06262075	TURBO LASER M/ TRYKREG. - LYN - 600 MM, 4.0 TURBO LASER W. PRES. REG. - SCREW - 600 MM, 4.0	TURBO-LASER 600MM RAPIDE		1	
0A	06262077	TURBO-LASER 600MM QUICK TURBO LASER W. PRES. REG. - QUICK - 600 MM, 4.5+	TURBO-LASER 600MM RAPIDE	1		
0A	06262086	TURBO LASER M/ TRYKREG. - LYN - 600 MM, 4.5 TURBO LASER W. PRES. REG. - QUICK - 600 MM, 4.5	TURBO-LASER 600MM RAPIDE			1
0B	06262063	DOB.B.SPULERØR 600MM QUICK DOUBLE LANCE - PRES. REG.- QUICK -600 MM,	LANCE DOUBLE RAPIDE, 600M	1	1	1
0C	06262059	ENK.SPULERØR 600MM QUICK SINGLE LANCE - QUICK - 600 MM, EXCL.NOZ	LANCE SIMPLE RAPIDE, 600M	1	1	1
0D	06262091	SPECTRUM M/ TRYKREG. - LYN - 600 MM, 140 SPECTRUM W. PRES. REG. - QUICK - 600 MM, 140	SPECTRUM - REG. DE PRES. - RAC. RAP - 600 MM-140			1

## Lances / Lances / Lanze / Lance

Pos.	Ref. no.	Betegnelse Description	Bezeichnung Description	412 A	452 A	482 A
0D	06262092	SPECTRUM M/ TRYKREG. - LYN - 600 MM, 145 SPECTRUM W. PRES. REG. - QUICK - 600 MM, 145	LANCE SPECTRUM 600/44.5MM	1		1
0D	06262253	SPECTRUM 600 U.DYSE QUICK SPECTRUM W. PRES. REG. - QUICK - 600 MM,	LANCE SPECTRUM R. R-S/GICL	1	1	1
0E	06262123	ROTO JET W/ LYN - 600 MM, 4.5 ROTO JET - QUICK - 600 MM, 4.5	LANCE ROTO JET RAPIDE 045	1		1
10	06050841	SPULERØR LIGE, Ø13X1,5X586 LANCE STRAIGHT, Ø13X1,5X586	LANCE GERADE TURBO LASER LANCE DROITE TURBO LASER	1	1	1
11	06050842	KEMIRØR 15 GR. BUK , Ø8X1X622 DETERGENT PIPE 15 DEG., Ø8X1X622	REI.MITTLERØHR 15 GR. VERB. F. T. L. TUYAU POUR LANCESER, 15 DSER, 15 DEGRES	1	1	1
12	06261130	BESLAG FOR TURBO LASER FITTINGS FOR TURBO LASER	BESCHLAG F. TURBO LASER ROHR ARMATURE POUR TURBO LASER TUYAU	1	1	1
13	06261288	TURBO LASER HUS , Ø3,6 MIN 720 L TURBO LASER HOUSING, Ø3,6 MIN 720 L	GEHAEUSE F. TURBO LASER CORPS P.TURBO LASER 3E GE COMPLET	1		
14	06261371	TURBO LASER KIT, 4.0 TURBO LASER KIT, 4.0	SERVICE KIT F. TURBO LASER KIT SERV.T.L. G-350/3000/ LASER		1	
14	06261459	TURBO LASER KIT, 4.5+ TURBO LASER KIT, 4.5+	SERVICEKIT F. TURBO LASER KIT POUR TURBO LASER LASE LASER	1		
14	06261890	TURBO LASER KIT, 4.5 TURBO LASER KIT, 4.5	SERVICEKIT F. TURBO LASER KIT SERVICE TURBO LASER			1
14A	06120544	O-RING, 36.0X1,78 O-RING, 36.0X1,78	JOINT TORIQUE	1	1	1
14F	06120282	O-RING, 14X1,78 O-RING, 14X1,78	O-RING JOINT TORIQUE 14 X 1,78	1	1	1
14H	06180533	DYSE, Ø10X12 NOZZLE, Ø10X12	DUESE GICLEUR DIA. 10X12	1	1	1
15	06180936	LAG FOR TURBO LASER COVER FOR TURBO LASER	DECKEL F. TURBO LASER, BEARBEITET COUVER.P.TURBO LASER FACOR, FACONNE	1	1	1
16	06090202	DYSE HÆRDET 1/4-1504.5 FLAT JET NOZZLE 15°, 4.5	FLACHSTRAHLDUESE 15° GICLEUR DURCI 1/4MEG15045	1	1	1
17	06180780	DYSEHOLDER, 17X20 NOZZLE HOLDER, 17X20	DUESENHALTER F/HOCHDRUCKDUESE SUPPORT DE GICLEUR H.P.EUEUR H.P.	1	1	1
18	06180779	KEMIDYSE, Ø10X22 DETERGENT NOZZLE, Ø10X22	REINIGUNGSMITTELDUESE GICLEUR DETERGENT	1	1	1
19	06180781	DYSEHOLDER FOR KEMI, 17X20 NOZZLE HOLDER FOR DETERGENTS, 17X20	DUESENHALTER F/REINIGUNGSMITTEL SUPPORT DE GICLEUR DETERGRGENT	1	1	1
20	06200226	DYSEBESKYTTER NOZZLE PROTECTION, PLASTIC	DUESENSCHUTZ KUNSTSTOFF PROTECTION GICLEUR PLASTI PLASTIQUE	2	2	2
21	06070497	SKRUE, 5X22 SCREW, 5X22	SCHRAUBE, ROSTFREI, Z/K VIS C/H INOX	1	1	1
22	06080123	MØTRIK, M5 NUT, M5	MUTTER, ROSTFREI RONDELLE	1	1	1
23	06050941	KEMI-RØR, RUSTFRI, Ø13X1,5X591 DETERGENT PIPE, STAINLESS, Ø13X1,5X591	DOPPELLANZE TUBE DE LANCE BP	1	1	1

## Lances / Lances / Lanze / Lance

Pos.	Ref. no.	Betegnelse Description	Bezeichnung Description	412 A	452 A	482 A
24	06050940	SPULERØR, RUSTFRI, Ø13X1,5X596 LANE, STAINLESS, Ø13X1,5X596	DOPPELLANZE TUBE DE LANCE HP	1	1	1
25	06260537	BESLAG F. DOBB. SPULERØR FITTINGS FOR DOUBLE LANCE	BESCHLAG F/DOPPELLANZE TURBO ENTRETOISE LANCE TURBOE TE TURBO	1	1	1
26	06181232	DYSEHOLDER FOR KEMI, Ø18X26 NOZZLE HOLDER FOR DETERGENTS, Ø18X26	DUESEHALTER F. REINIGUNGSMITTELDUESE SUPPORT GICLEUR POUR DETER DE DETERGENT	1	1	1
27	06200374	DYSESKYTTER DOBBELT NOZZLE PROTECTION, PLASTIC, DOBBLE	DUESESCHUTZ - DOBBELT PROTECT.PLAST.GICLEUR LAN	1	1	1
28	06030643	MUFFE FOR SPULERØR, Ø10 SOCKET FOR LANCE, Ø10	MUFFE F. LANZE MANCHON POUR LANCE INOX	1	1	1
28	06181233	DYSEHOLDER , Ø18X26 NOZZLE HOLDER , Ø18X26	DUESEHALTER F. HOCHDRUCKSDUESE SUPPORT GICLEUR HAUTE PRR HAUTE PRESSION	1	1	1
29	06030485	SKRUEKOBLING, 1/4" INDV. SCREW COUPLING, 1/4"	SCHRAUBENKUPPLUNG, NICHT DREHBAR ACCOUPL. VIS 1/4 INT.NT NT	1	1	1
30	06050116	SPULERØR, RUSTFRI, Ø13X586 LANE, STAINLESS, Ø13X586	LANZE, ROSTFREI LANCE INOX DIAM. 13X596	1	1	1
31	06200375	DYSESKYTTER ENKELT NOZZLE PROTECTION, PLASTIC, SINGLE	DUESESCHUTZ PROTECT.PLAST.GICLEUR LAN	1	1	1
35	06261967	SPECTRUM KIT, 145 SPECTRUM KIT, 145	SPECTRUM KIT KIT SPECTRUM 401/	1	1	1
36	06030649	LYNKOBLING 1/4 UDV. QUICK COUPLING, 1/4"	SCHNELLKUPPLUNG RACCORD RAPIDE	1	1	1
37	06030827	NIPPEL QUICK-1/4" INDV. NIPPLE, 1/4"	RACCORD RAPIDE 1/4" INTER	1	1	1
38	06050841	SPULERØR LIGE, Ø13X1,5X586 LANE STRAIGHT, Ø13X1,5X586	LANZE GERADE TURBO LASER LANCE DROITE TURBO LASER	1	1	1
39	06262133	ROTO JET DYSE KPL., 4.0 ROTO JET NOZZLE CPL., 4.0	GICLEUR ROTO CPL. 4.0	1		
39	06262134	ROTO JET DYSE KPL., 4.5 ROTO JET NOZZLE CPL., 4.5	GICLEUR ROTO CPL. 4.5	1		1
40	06262222	ROTO DYSE KIT, 4.0 ROTO JET NOZZLE KIT, 4.0	KIT POUR GICLEUR ROTO 040		1	
40	06262223	ROTO DYSE KIT, 4.5 ROTO JET NOZZLE KIT, 4.5	KIT POUR GICLEUR ROTO 045	1		1
41	06260365	HANDGRIFF TIL ROT. BØRSTER OG ENKELT LANSERØR, HANDLE FOR ROTATING BRUSHES AND SINGLE	HANDGRIFF POIGNEE DE MAINTIEN LANCE	1	1	1