

GU 700A

Model:
GU 700 A



Part List English

15-08-2011

Table of Contents

GU 700A

Base System	3
Brush motor assembly	6
Decal System	8
Handle system 1 (before SN1875350)	10
Handle system 2 (before SN1875350)	13
Handle system 1 (after SN1875349)	16
Handle system 2 (after SN1875349)	19
Wiring diagram - 240V	22
Wiring diagram - 100V	24
56323296 - Vacuum Tool Kit	26
56323296 - Vacuum Tool Kit	28
56330920 - Microstat Filter Kit	30

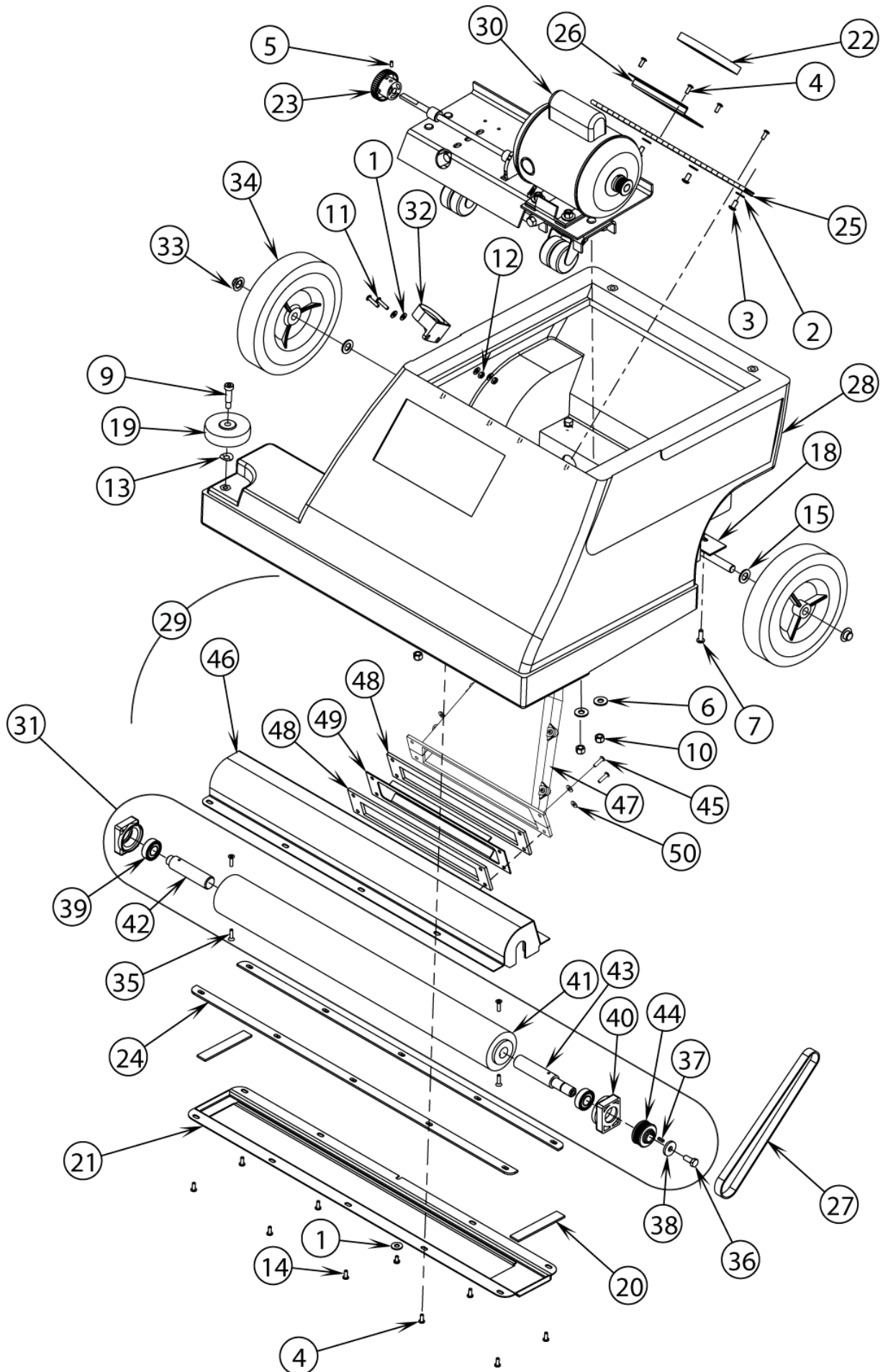
Base System

GU 700A

15-08-2011

Part List ID
GU700A3

3



Base System

GU 700A

15-08-2011

Part List ID

GU700A3

4

Pos	Part no.	Qty	Description	EAN
1	56001954	5	Washer flat Sae 10	5711144000
2	56002098	4	Washer flat Sae 1/4	5711144000
3	56002145	4	Scr Pan Hd Phil 1/4-20 x	5711144001
4	56002147	13	SCR PAN HD PHIL 10-32 X .	5711144001
5	56003123	1	SCR,SOC SET 10-24 X .38	5711144004
6	56001939	4	Washer flat Sae 5/16	5711144000
7	56002066	2	1/4-20 X 5/8 SCREW	5711144000
9	56003472	1	SCR SOC SHD	5711144005
10	56002826	4	Nut Hex Nyloc Thin (s/s) replaced by 56002701	5711144002
11	56002674	2	SCR PAN HD PHIL 10-24 X 1	5711144002
12	56002832	2	Nut Hex Nyl	5711144002
13	56009024	1	WASHER, BOWED	5711144007
14	56009030	1	SCR PAN PHIL THD FOM 10-2	5711144007
15	56009003	4	Washer flat	TSBUS2002-798 5711144007
18	56330045	1	WELDMENT, AXLE	TSBUS2002-798 5711144065
19	56049261	1	WHEEL	5711144016
20	56052279	2	Gasket Foam	5711144016
21	56055033	1	PLATE BOTTOM	5711144017
22	56055054	1	GASKET FOAM	5711144017
23	56475480	1	Knob 2.00 x.375 Re253C	5711144123
24	56055187	2	Gasket Foam	5711144017
25	56055213	1	HINGE BUTT	5711144017
26	56055217	1	BRACKET INTAKE TUBE	5711144017
27	56055123	1	BELT	5711144017
28	56330010	1	TANK, BASE MACHINED	5711144065
29	56330011	1	BRUSH HOUSING ASSEMBLY (ø 45-49)	Pos. 45-50 - TSBUS2002-808 5711144065
30	56330050	1	BRUSH MOTOR ASSEMBLY	240V-60Hz/ see associated pages 5711144065
30	56330901	1	BRUSH MOTOR ASSEMBLY (SEE ASSOCIATED PAGES)	associated pages 5711144065
30		1	NOTE COMMENT	100V / see associated pages - not available 5701715456
31	56330015	1	BRUSH ASSEMBLY GU 700A	Pos. 35-44 - TSBUS2002-808 5711144065
32	56331151	1	HOLDER TUBE	5711144066
33	56009097	2	Wheel Cap	TSBUS2002-798 5711144008
34	56210148	2	WHEEL 8.00 X 1.75	TSBUS2002-798 5711144032
35	56001900	4	SCR FLT HD PHIL 10-24 X .	5711144000
36	56002956	1	Cap Screw 3/4 replaced by 56002667	5711144003
37	56003235	1	KEY, SQ .12 X .44	5711144004
38	56001939	1	Washer flat Sae 5/16	5711144000
39	56027222	2	ROLLER BEARING	5711144013
40	56055030	2	BEARING MOUNT	5711144017
41	56055126	1	BRUSH CYLINDER	5711144017
42	56055127	1	SHAFT BRUSH	5711144017
43	56330014	1	SHAFT	5711144065

Base System

GU 700A

15-08-2011

Part List ID

GU700A3

5

Pos	Part no.	Qty	Description	EAN
44	56330914	1	SHEAVE POLY V BELT	5711144065
45	56002192	4	SCR PAN HD PHIL 10-24 X .	5711144001
46	56034673	1	WELDMENT BRUSH HOUSING	5711144013
47	56055121	1	TUBE INTAKE MACHINED	5711144017
48	56055122	2	GASKET	5711144017
49	56055615	1	PLATE	5711144017
50	56001954	4	Washer flat Sae 10	5711144000

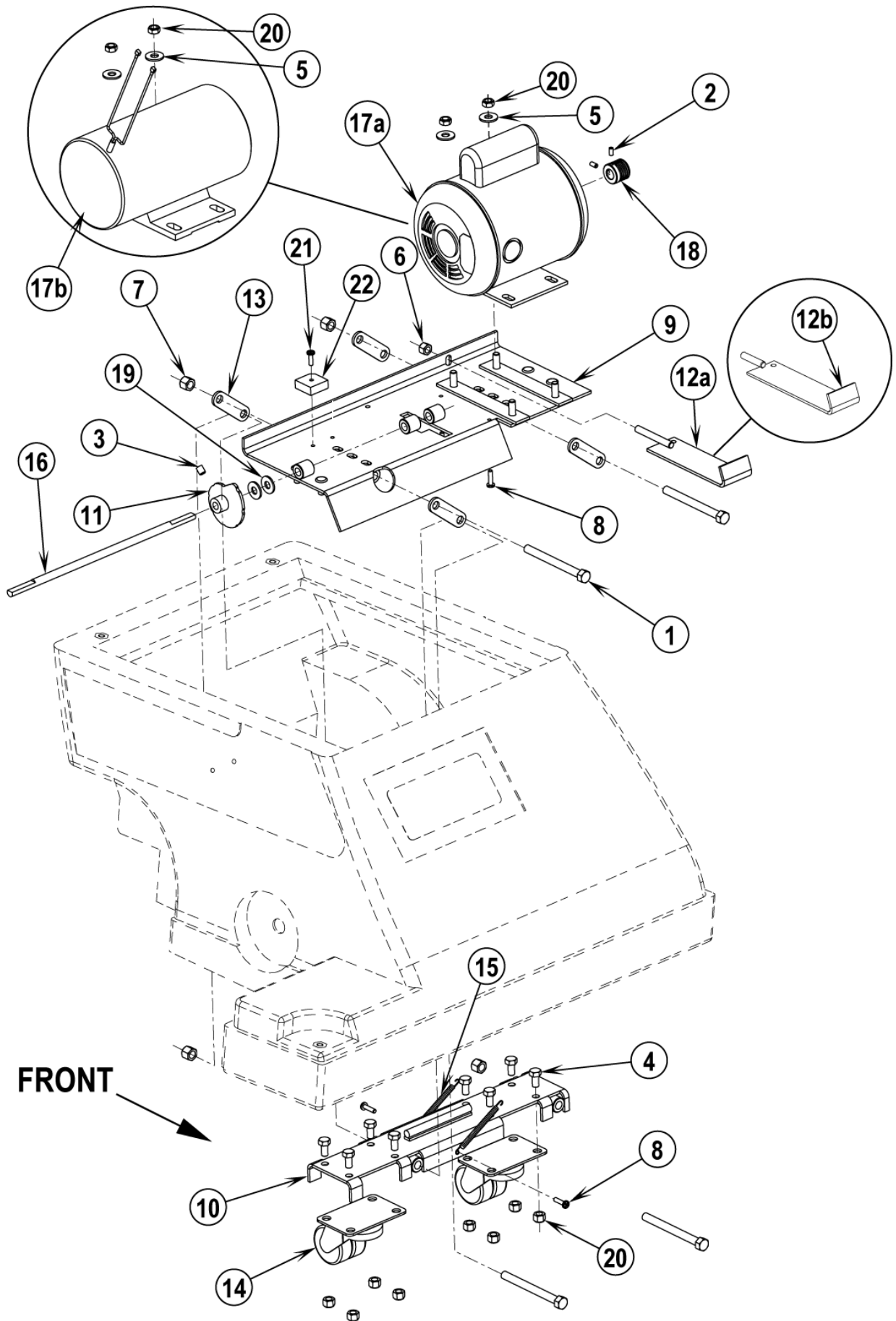
Brush motor assembly

GU 700A

15-08-2011

Part List ID
GU700A5

6



Brush motor assembly

GU 700A

15-08-2011

Part List ID
GU700A5

7

Pos	Part no.	Qty	Description		EAN
1	56001819	4	SCR HEX 3/8 16 X 4.00		5711144000
2	56001823	2	Scr Soc Hd Set 10-24 x .3		5711144000
3	56002021	1	Socket Set Screw 3/8in,0,		5711144000
4	56002035	8	Scr Hex Hd 5/16-18 x .62		5711144000
5	56001939	2	Washer flat Sae 5/16		5711144000
6	56002701	1	Nut Hex Lock 5/16-18		5711144002
7	56002769	4	Nut Hex		5711144002
8	56009043	4	SCR PAN PHIL THD FORM 10-24X.75		5711144007
9	56034675	1	WELDMENT BRACKET MOTOR	240V	5711144013
9		1	NOTE COMMENT	100V - not available	5701715456
10	56034677	1	CASTER BRACKET WELDMENT		5711144013
11	56034679	1	WELDMENT CAM HEIGHT ADJUSTMENT		5711144013
13	56055031	4	STEEL BAR		5711144017
14	56055134	2	CASTER 2.00 DIA.		5711144017
15	56055135	2	SPRING		5711144017
16	56055137	1	SHAFT HEIGHT ADJUSTMENT		5711144017
18	56330016	1	SHEAVE PULLEY V BELT		5711144065
19	56001939	2	Washer flat Sae 5/16	100V	5711144000
20	56002826	10	Nut Hex Nyloc Thin (s/s) replaced by 56002701		5711144002
21	56009100	1	SCR PANPHILTHD BLK 10-24X	100V	5711144008
22	56180163	1	Rectifier 40A	100V	5711144029
12A	56034691	1	WELDMENT ADJUSTMENT BRACKET	240V	5711144013
12B		1	NOTE COMMENT	100V - not available	5701715456
17A	56330013	1	Motor 1/3 120v	240V-60Hz	5711144065
17A	56330908	1	BRUSH MOTOR	240V	5711144065
17A	56755056	1	CAPACITOR 400-480MF__E002	For 56330013 - Not shown	5711144144
17B	56330928	2	BRUSH, CARBON (2 REQ'D)	For 56330926 - Not shown	5711144066
17B	56330929	2	BRUSH, SPRING (2 REQ'D)	For 56330926 - Not shown	5711144066
17B	56330930	2	BRUSH, COVER (2 REQ'D)	For 56330926 - Not shown	5711144066
17B		1	NOTE COMMENT	100V - not available	5701715456

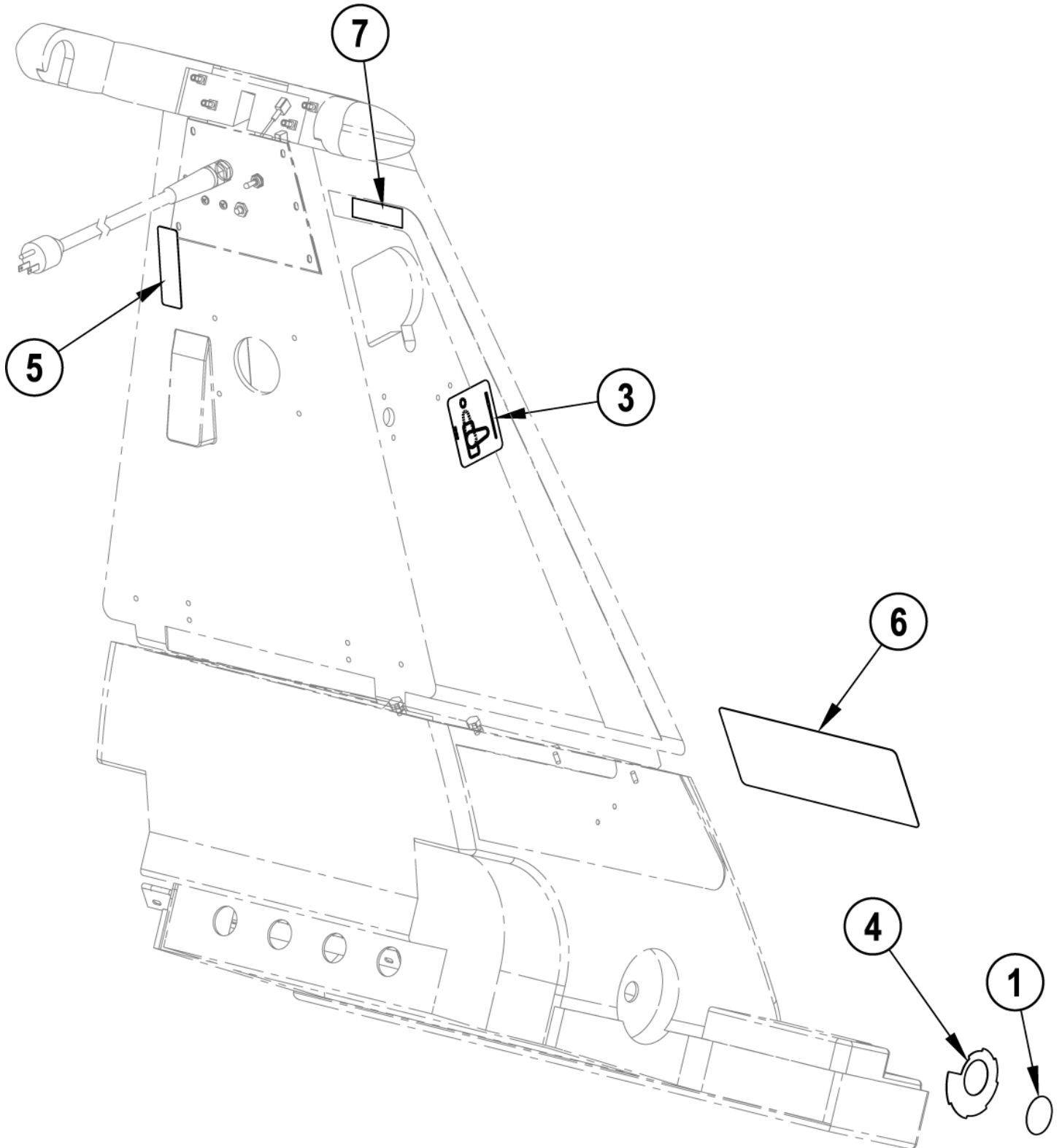
Decal System

GU 700A

15-08-2011

Part List ID
GU700A7

8



Decal System

GU 700A

15-08-2011

Part List ID

GU700A7

9

Pos	Part no.	Qty	Description	EAN
1	56015188	1	DECAL KNOB	5711144009
3	56016619	1	WAND DECAL After May 2005	5711144012
4	56057686	1	LABEL HEOGHT ADJUST	5711144018
5	56630714	1	LABEL, WARNING UPRT ENG/F 100V	5711144143
6	56016368	1	DECAL GU 700A	5711144011
7	56014119	6	DECAL GROUND SYMBOLHC398B Before June 2005	5711144009
7	56016475	1	DECAL WAND Not shown	5711144011

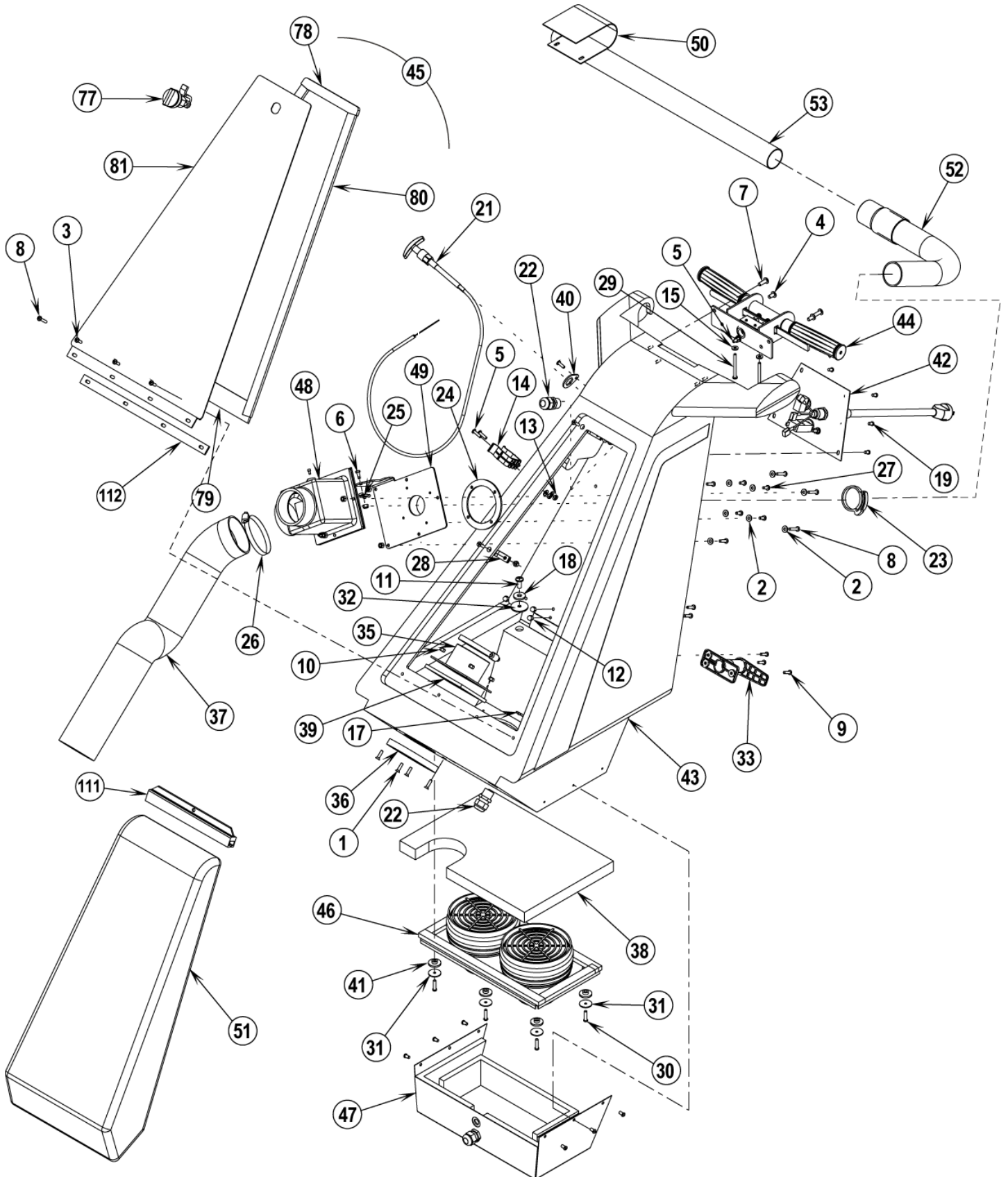
Handle system 1 (before SN1875350)

GU 700A

15-08-2011

Part List ID
GU700A9

10



Handle system 1 (before SN1875350)

GU 700A

15-08-2011

Part List ID

GU700A9

11

Pos	Part no.	Qty	Description	EAN
1	56001900	6	SCR FLT HD PHIL 10-24 X .	5711144000
2	56001954	11	Washer flat Sae 10	5711144000
3	56002124	3	Screw 5/8in,0,66,0,,0,0,0	5711144000
4	56002145	2	Scr Pan Hd Phil 1/4-20 x	5711144001
5	56002192	4	SCR PAN HD PHIL 10-24 X .	5711144001
6	56002503	1	Scr Hex Wsh Hd 10-24 x.5	5711144001
7	56002507	2	SCR PAN PHIL 1/4-20X0.75	5711144001
8	56002674	4	SCR PAN HD PHIL 10-24 X 1	5711144002
9	56001993	6	Screw	5711144000
10	56002832	17	Nut Hex Nyl	5711144002
11	56002793	2	SCR PAN PHIL 5/16-18 X 0.	5711144002
12	56009061	6	NUT, ACORN S.S. 10-24	5711144007
13	56002832	2	Nut Hex Nyl	5711144002
14	56331154	1	CLAMP, PLASTIC	5711144066
15	56009011	2	Washer	5711144007
17	56009095	2	Lock Nut	5711144008
18	56009122	2	WASHER, FLT .344X.938X.12	5711144008
19	56009247	12	SCR PN PHIL PLASTITE 10 14X.38	5711144008
21	56331349	1	Cable	5711144066
22	56323135	2	Strain Relief	5711144063
23	56331304	1	CLAMP, HOSE _E00557	5711144066
24	56330909	1	GASKET	5711144065
25	56344265	1	CLAMP CABLE AS510A	5711144066
26	56352829	2	Clamp hose Sae 52	5711144066
27	56009082	4	Scr Panphilted Formbld10-	5711144008
28	56385564	3	CLAMP CABLE .625 E00129	5711144071
29	56003503	2	SCR PAN PHIL 10-24 X .50	5711144006
30	56003112	6	SCR PAN PHIL PLASTITE 10 14X1	5711144004
31	56009268	6	WSH FLT .187 X 1.00 X .06 2	5711144009
32	56009275	2	WASHER NEOPRENE	5711144009
33	56171112	2	CORD HOOK ASSY	5711144028
35	56034690	1	WELDMENT HOSE CONNECTOR	5711144013
36	56055054	1	GASKET FOAM	5711144017
37	56055081	1	VAC HOSE	5711144017
38	56055084	1	BAG GUARD	5711144017
39	56055182	1	GASKET FOAM	5711144017
40	56330921	1	PLATE	5711144065
41	56111384	6	RUBBER BUSHING	5711144026
42	56330902	1	ELECTRICAL ASSEMBLY (ø54- 63)	Pos. 54-63 - 240V 5711144065
42	56330932	1	ELECTRICAL ASSY.	Pos. 54-63 - 100V 5711144066
42	56330941	1	ELECTRICAL ASSY.	Pos. 54-63 - 240V/Arg 5711144066
43	56330835	1	TANK UPPER MACHINED	5711144065

Handle system 1 (before SN1875350)

GU 700A

15-08-2011

Part List ID

GU700A9

12

Pos	Part no.	Qty	Description		EAN
44	56330005	1	HANDLE ASSEMBLY (ø64-75)	Pos. 64-75	5711144065
45	56330006	1	DOOR ASSEMBLY (ø77-81),	Pos. 77-81	5711144065
46	56330903	1	VACUUM MOTOR ASSEMBLY (ø8 2-90)	Pos. 82-90, 106-110 - 240V	5711144065
46	56330937	1	VACUUM MOTOR ASSY 100V	Pos. 82-90, 106-109 - 100V	5711144066
47	56330008	1	MUFFLER ASSEMBLY (ø91-95)	Pos. 91-95	5711144065
48	56330018	1	BUTTERFLY ASSEMBLY (ø96-1 05)	Pos. 96-105	5711144065
49	56330021	1	TUBE WELDMENT		5711144065
50	56639107	1	SWITCHBOX COVER WELDMENT		5711144143
51	56109609	1	BAG COLLECTOR		5711144021
51	56330690	1	PAPER BAG 6 PACK GU 700A	Package of 6 - Optional - Not shown	5711144065
52	56331152	1	HOSE ASSEMBLY VAC		5711144066
53	56331153	1	WAND		5711144066
111	56330608	1	CLIP FOR CLOTH BAG GU 700	For 56109609	5711144065
112	56055218	1	GASKET FOAM		5711144017

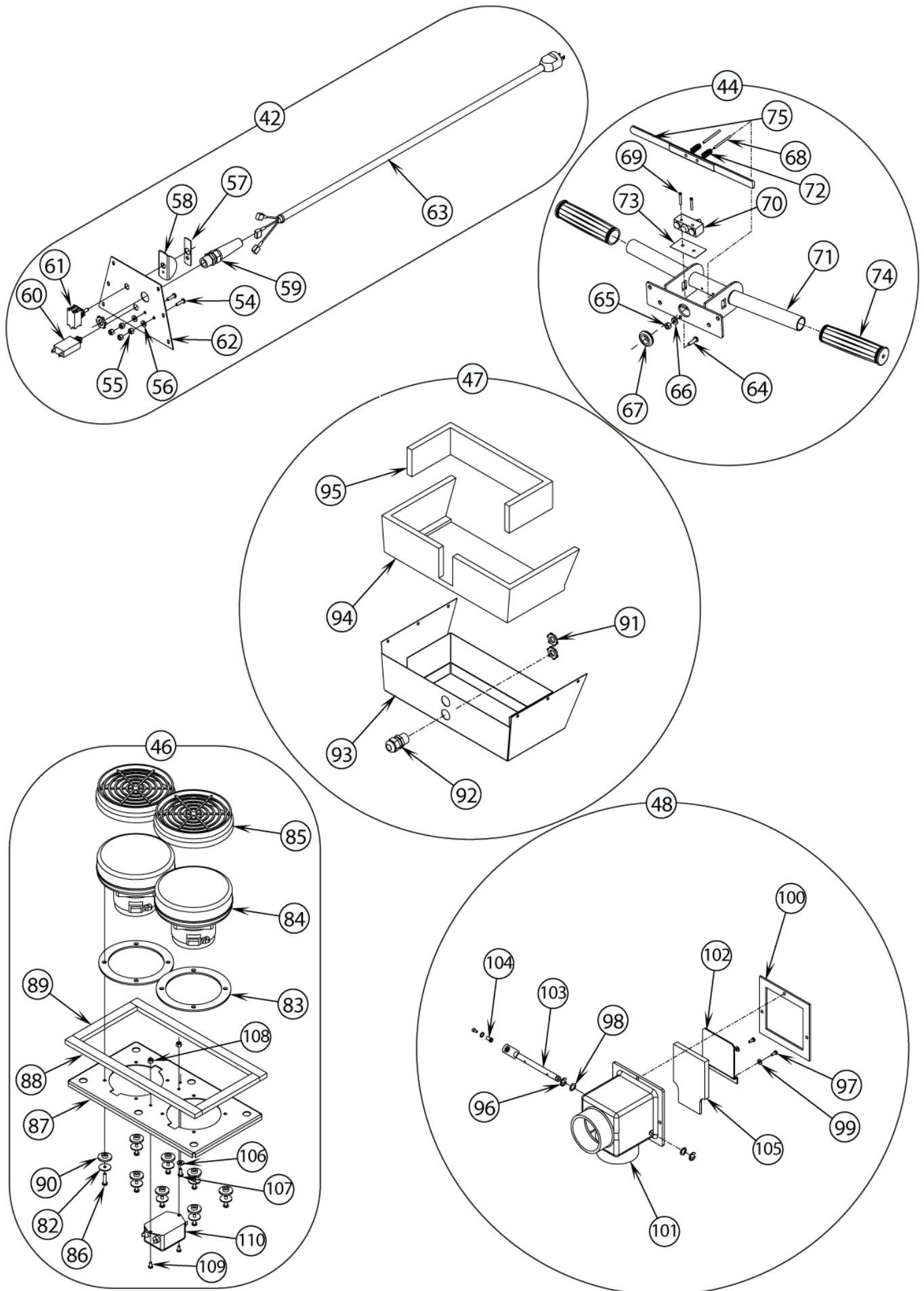
Handle system 2 (before SN1875350)

GU 700A

15-08-2011

Part List ID
GU700A11

13



Handle system 2 (before SN1875350)

GU 700A

15-08-2011

Part List ID

GU700A11

14

Pos	Part no.	Qty	Description		EAN
42	56330902	1	ELECTRICAL ASSEMBLY (ø54- 63)	Pos. 54-63 - 240V	5711144065
42	56330932	1	ELECTRICAL ASSY.	Pos. 54-63 - 100V	5711144066
42	56330941	1	ELECTRICAL ASSY.	Pos. 54-63 - 240V / Arg	5711144066
44	56330005	1	HANDLE ASSEMBLY (ø64-75)	Pos. 64-75	5711144065
46	56330903	1	VACUUM MOTOR ASSEMBLY (ø8 2-90)	Pos. 82-90, 106-110 - 240V	5711144065
46	56330937	1	VACUUM MOTOR ASSY 100V	Pos. 82-90, 106-109 - 100V	5711144066
47	56330008	1	MUFFLER ASSEMBLY (ø91-95)	Pos. 91-95	5711144065
48	56330018	1	BUTTERFLY ASSEMBLY (ø96-1 05)	Pos. 96-105	5711144065
54	56002192	2	SCR PAN HD PHIL 10-24 X .		5711144001
55	56002832	4	Nut Hex Nyl		5711144002
56	56009011	2	Washer		5711144007
57	56014016	1	DECAL ON/OFF	100V / 240V	5711144009
58	56200352	1	GUARD SWITCH HP6A	100V / 240V	5711144029
59	56009095	1	Lock Nut	Not shown	5711144008
59	56323136	1	Strain Relief		5711144063
60	56387316	1	Circuit Breaker 10A		5711144071
61	56301636	1	Sw itch, Toggle	100V / 240V	5711144040
62	56643059	1	COVER ACCESS		5711144143
63	56330030	1	POWER CORD, ARGENTINA	240V / Arg	5711144065
63	56330042	1	CORD SET, 2.00 X 3 BLK - GU700A	100V - Not shown	5711144065
63	56330907	1	CORD SET	240V	5711144065
64	56002192	1	SCR PAN HD PHIL 10-24 X .		5711144001
65	56002832	1	Nut Hex Nyl		5711144002
66	56009011	1	Washer		5711144007
67	56497610	1	GROMMET		5711144126
68	56003502	2	PIN		5711144006
69	56002857	2	SCR PAN PHIL 6-32 X 0.88		5711144002
70	56026412	1	PUSH SWITCH		5711144013
71	56034663	1	WELDMENT HANDLE		5711144013
72	56046648	2	SPRING		5711144015
73	56046653	1	INSULATION PAPER		5711144015
74		2	HANDLE GRIP		5711144016
74	56381707	2	HANDLE GRIP		5711144160
75	56050274	1	TRIGGER INTENTIONALLY OMITTED		5711144016
77	56055050	1	LATCH TWIST		5711144017
78	56055051	1	GASKET		5711144017
79	56055052	1	GASKET		5711144017
80	56055053	2	GASKET		5711144017
81	56639110	1	WELDMENT DOOR		5711144143
82	56009096	8	Washer flat .193x.875x.06		5711144008
83	56209325	2	Gasket HI405		5711144031
84	56009030	2	SCR PAN PHIL THD FOM 10-2	100V - Not shown	5711144007

Handle system 2 (before SN1875350)

GU 700A

15-08-2011

Part List ID

GU700A11

15

Pos	Part no.	Qty	Description		EAN
84	56203518	2	Brush Mech.(Set/2)	Not shown	5711144030
84	56300411	2	Motor 230V 50 Cy Ha542C	240V	5711144040
84	56330389	2	VAC MOTOR ASSY.	100V	5711144065
85	56330920	1	Micro Stat pk 2	Package of 2 - Optional	5711144065
85	56384898	2	FILTER GU 700A		5711144070
86	56009209	8	SCR PAN PHIL THDFORM10-24 X1.00		5711144008
87	56055023	1	PLATE MOUNT VAC MOTORS		5711144017
88	56055041	2	GASKET FOAM		5711144017
89	56055042	2	GASKET FOAM		5711144017
90	56111384	8	RUBBER BUSHING		5711144026
91	56009095	2	Lock Nut		5711144008
92	56323135	2	Strain Relief		5711144063
93	56034668	1	WELDMENT MUFFLER		5711144013
94	56055117	1	GASKET FOAM		5711144017
95	56055118	1	GASKET FOAM		5711144017
96	56003269	2	Ring Ret Ext Type E Rein		5711144004
97	56009032	2	Screw		5711144007
98	56009045	2	Washer		5711144007
99	56009056	2	WSH, INT SHPRF #6		5711144007
100	56331312	1	GASKET		5711144066
101	56331313	1	HOUSING,ROUTED		5711144066
102	56331345	1	Plate		5711144066
103	56331356	1	Level		5711144066
104	56442445	1	Wire Swivel		5711144107
105	56331155	1	SEAL		5711144066
106	56009011	1	Washer	3 on 100V	5711144007
107	56009082	1	Scr Panphilted Formbld10-		5711144008
108	56002877	2	Nut Hex Nyl Loc SS 8-32		5711144002
109	56001818	2	SCR PAN HD PHIL 8-32 X .3		5711144000
110	56244138	4	RECEPTACLE TAB .250FC336B		5711144034
110	56330923	1	RFI FILTER		5711144066

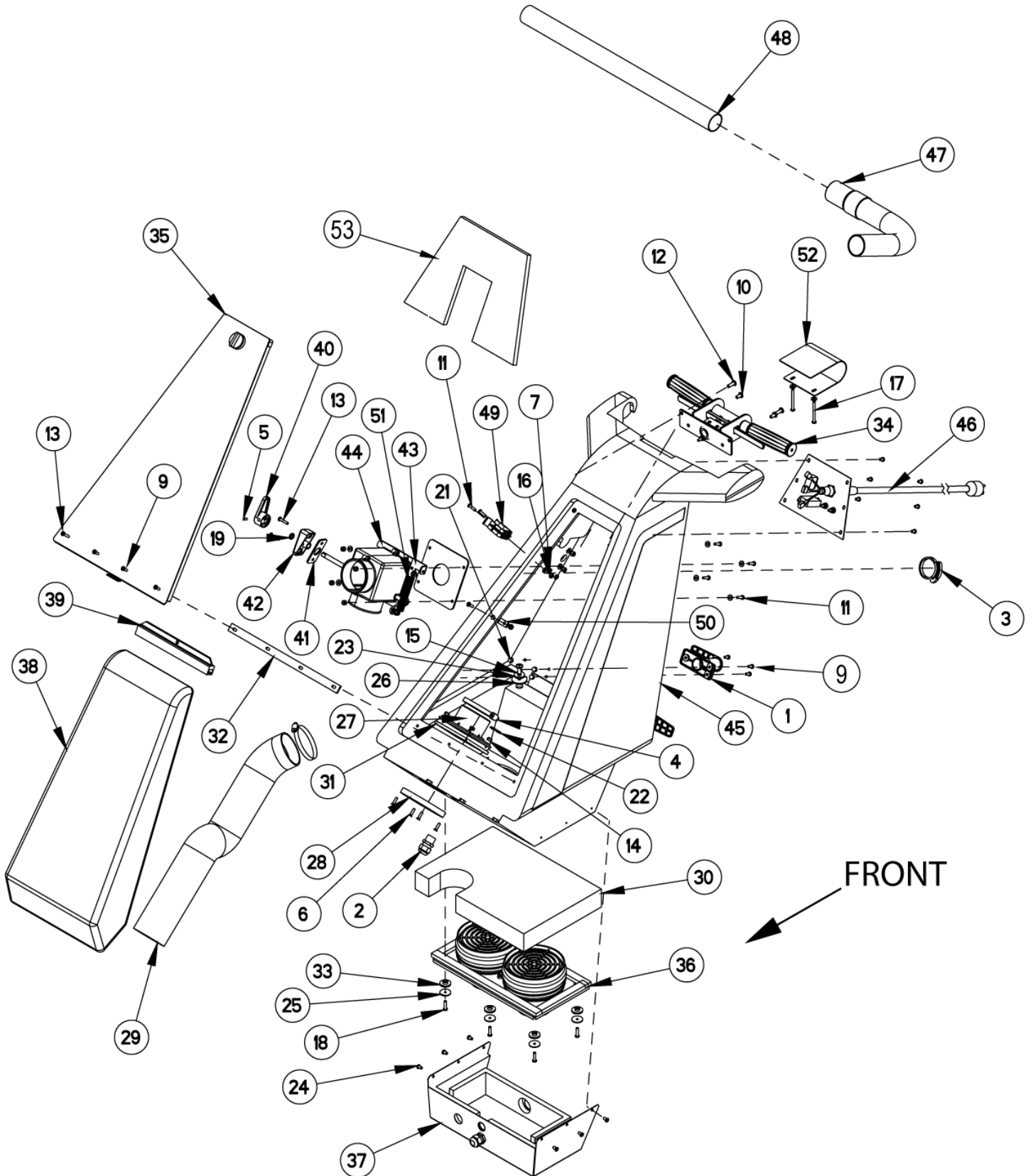
Handle system 1 (after SN1875349)

GU 700A

15-08-2011

Part List ID
GU700A13

16



Handle system 1 (after SN1875349)

GU 700A

15-08-2011

Part List ID

GU700A13

17

Pos	Part no.	Qty	Description	EAN
1	56171112	2	CORD HOOK ASSY	5711144028
2	56323135	2	Strain Relief	5711144063
3	56331304	1	CLAMP, HOSE _ E00557	5711144066
4	56352829	2	Clamp hose Sae 52	5711144066
5	56003123	1	SCR,SOC SET 10-24 X .38	5711144004
6	56001900	6	SCR FLT HD PHIL 10-24 X .	5711144000
7	56001954	10	Washer flat Sae 10	5711144000
8	56001993	6	Screw	5711144000
9	56002124	9	Screw 5/8in,0,66,0,,0,0,0	5711144000
10	56002145	2	Scr Pan Hd Phil 1/4-20 x	5711144001
11	56002192	6	SCR PAN HD PHIL 10-24 X .	5711144001
12	56002507	2	SCR PAN PHIL 1/4-20X0.75	5711144001
13	56002674	3	SCR PAN HD PHIL 10-24 X 1	5711144002
14	56002832	16	Nut Hex Nyl	5711144002
15	56002793	2	SCR PAN PHIL 5/16-18 X 0.	5711144002
16	56002832	2	Nut Hex Nyl	5711144002
17	56003503	2	SCR PAN PHIL 10-24 X .50	5711144006
18	56003112	6	SCR PAN PHIL PLASTITE 10 14X1	5711144004
19	56003706	1	O RING SIZE 110 QUAD	5711144006
20	56009011	2	Washer	5711144007
21	56009061	6	NUT, ACORN S.S. 10-24	5711144007
22	56009095	2	Lock Nut	5711144008
23	56009122	2	WASHER, FLT .344X.938X.12	5711144008
24	56009247	12	SCR PN PHIL PLASTITE 10 14X.38	5711144008
25	56009096	6	Washer flat .193x.875x.06	5711144008
26	56009275	2	WASHER NEOPRENE	5711144009
27	56034690	1	WELDMENT HOSE CONNECTOR	5711144013
28	56055054	1	GASKET FOAM	5711144017
29	56055081	1	VAC HOSE	5711144017
30	56055084	1	BAG GUARD	5711144017
31	56055182	1	GASKET FOAM	5711144017
32	56055218	1	GASKET FOAM	5711144017
33	56111384	6	RUBBER BUSHING	5711144026
34	56330005	1	HANDLE ASSEMBLY (ø64-75)	5711144065
35	56055050	1	LATCH TWIST	5711144017
35	56055051	1	GASKET	5711144017
35	56055052	1	GASKET	5711144017
35	56055053	2	GASKET	5711144017
35	56330006	1	DOOR ASSEMBLY (ø77-81),	5711144065
35	56639110	1	WELDMENT DOOR	5711144143
36	56330903	1	VACUUM MOTOR ASSEMBLY (ø8 2-90)	240V 5711144065
37	56330008	1	MUFFLER ASSEMBLY (ø91-95)	5711144065

Handle system 1 (after SN1875349)

GU 700A

15-08-2011

Part List ID

GU700A13

18

Pos	Part no.	Qty	Description		EAN
38	56109609	1	BAG COLLECTOR		5711144021
38	56330690	1	PAPER BAG 6 PACK GU 700A	Package of 6 / optional - Not shown	5711144065
39	56330608	1	CLIP FOR CLOTH BAG GU 700	For 56109609	5711144065
40	56330821	1	LEVER		5711144065
41	56330822	1	GASKET BASE		5711144065
42	56330823	1	BASE LEVER MOUNT		5711144065
43	56330827	1	BRACKET SPRING MOUNT		5711144065
44	56330830	1	VACUUM DIVERTER ASSY		5711144065
45	56330835	1	TANK UPPER MACHINED		5711144065
46	56330902	1	ELECTRICAL ASSEMBLY (ø54- 63)	240V	5711144065
47	56331152	1	HOSE ASSEMBLY VAC		5711144066
48	56331153	1	WAND		5711144066
49	56331154	1	CLAMP, PLASTIC		5711144066
50	56385564	3	CLAMP CABLE .625 E00129		5711144071
51	56448112	1	Spring Ext .56X4.25Cv611A		5711144107
52	56639107	1	SWITCHBOX COVER WELDMENT		5711144143
53	56380337	1	GUARD PANEL FOAM	TSBUS2009-1053	5711144069

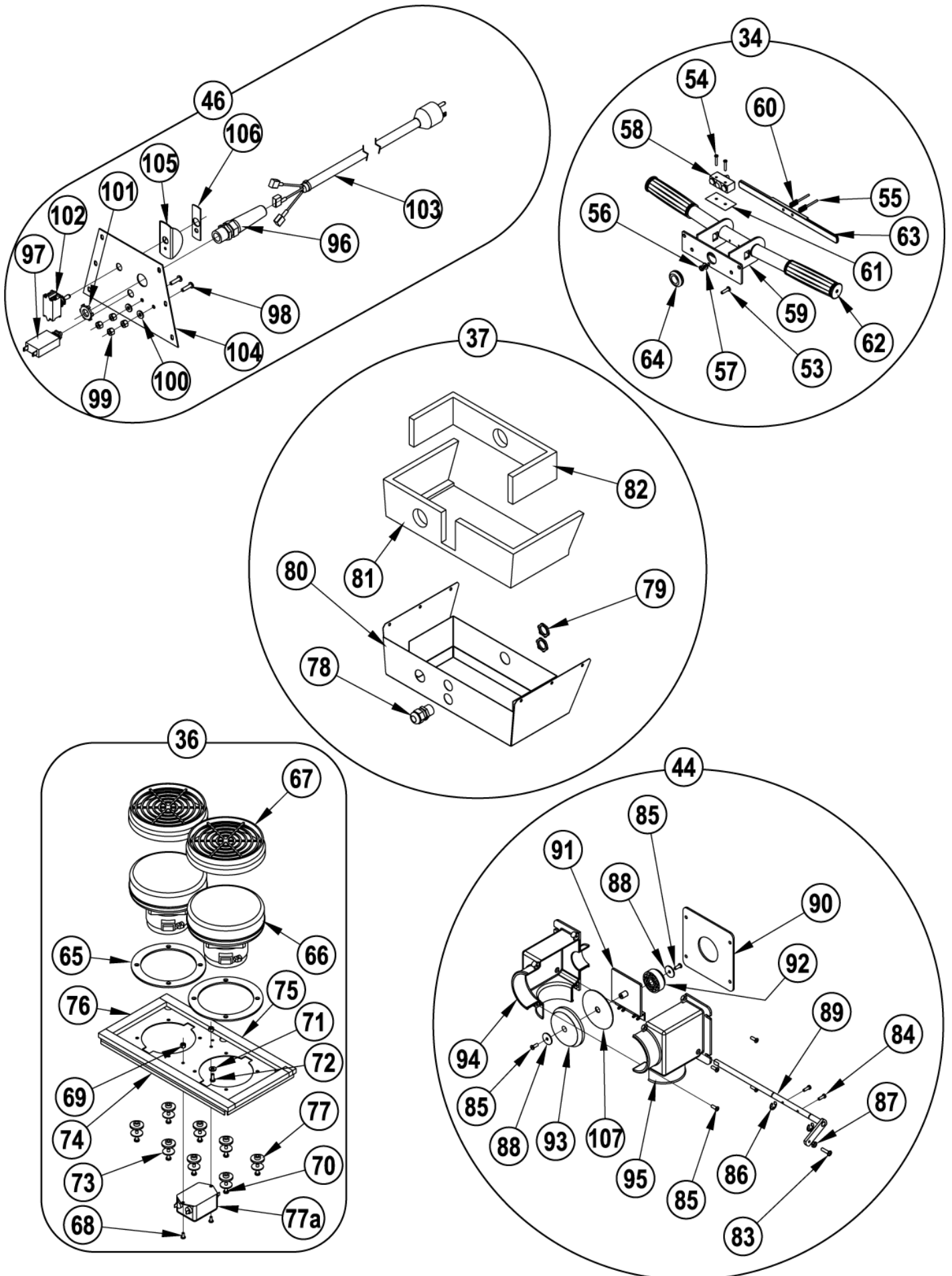
Handle system 2 (after SN1875349)

GU 700A

15-08-2011

Part List ID
GU700A15

19



Handle system 2 (after SN1875349)

GU 700A

15-08-2011

Part List ID
GU700A15

20

Pos	Part no.	Qty	Description		EAN
34	56330005	1	HANDLE ASSEMBLY (ø64-75)	Pos. 53-64	5711144065
36	56330903	1	VACUUM MOTOR ASSEMBLY (ø8 2-90)	Pos. 65-77A	5711144065
37	56330008	1	MUFFLER ASSEMBLY (ø91-95)	Pos. 78-82	5711144065
44	56330830	1	VACUUM DIVERTER ASSY	Pos. 83-95, 107	5711144065
46	56330902	1	ELECTRICAL ASSEMBLY (ø54- 63)	Pos. 96-106	5711144065
53	56002192	1	SCR PAN HD PHIL 10-24 X .		5711144001
54	56002857	2	SCR PAN PHIL 6-32 X 0.88		5711144002
55	56003502	2	PIN		5711144006
56	56002832	1	Nut Hex Nyl		5711144002
57	56009011	1	Washer		5711144007
58	56026412	1	PUSH SWITCH		5711144013
59	56034663	1	WELDMENT HANDLE		5711144013
60	56046648	2	SPRING		5711144015
61	56046653	1	INSULATION PAPER		5711144015
62		2	HANDLE GRIP		5711144016
62	56381707	2	HANDLE GRIP		5711144160
63	56050274	1	TRIGGER INTENTIONALLY OMITTED		5711144016
64	56760212	1	GROMMET 1.000_E00059		5711144144
65	56209325	2	Gasket H1405		5711144031
66	56203518	2	Brush Mech.(Set/2)	Not shown	5711144030
66	56300411	2	Motor 230V 50 Cy Ha542C	240V	5711144040
67	56330920	1	Micro Stat pk 2	Package of 2 - Optional	5711144065
67	56384898	2	FILTER GU 700A		5711144070
68	56001818	2	SCR PAN HD PHIL 8-32 X .3		5711144000
69	56002877	2	Nut Hex Nyl Loc SS 8-32		5711144002
70	56009209	8	SCR PAN PHIL THDFORM10-24 X1.00		5711144008
71	56009011	1	Washer		5711144007
72	56009082	1	Scr Panphilted Formbld10-		5711144008
73	56009096	8	Washer flat .193x.875x.06		5711144008
74	56055023	1	PLATE MOUNT VAC MOTORS		5711144017
75	56055041	2	GASKET FOAM		5711144017
76	56055042	2	GASKET FOAM		5711144017
77	56111384	8	RUBBER BUSHING		5711144026
78	56323135	1	Strain Relief		5711144063
79	56009095	2	Lock Nut		5711144008
80	56034668	1	WELDMENT MUFFLER		5711144013
81	56055117	1	GASKET FOAM		5711144017
82	56055118	1	GASKET FOAM		5711144017
83	56002192	1	SCR PAN HD PHIL 10-24 X .		5711144001
84	56002438	2	Screw Hex Wsh Hp5		5711144001
85	56003093	6	SCR PAN PHIL PLAST 8-15 X		5711144004
86	56003269	2	Ring Ret Ext Type E Rein		5711144004

Handle system 2 (after SN1875349)

GU 700A

15-08-2011

Part List ID

GU700A15

21

Pos	Part no.	Qty	Description	EAN
87	56002832	1	Nut Hex Nyl	5711144002
88	56009096	2	Washer flat .193x.875x.06	5711144008
89	56330824	1	SHAFT WELDMENT	5711144065
90	56330828	1	GASKET HOUSING	5711144065
91	56330829	1	PLATE DIVERTER	5711144065
92	56330831	1	SEAL WAND VACUUM	5711144065
93	56330832	1	SEAL BRUSH VACUUM	5711144065
94	56330833	1	HOUSING LEFT HALF	5711144065
95	56330834	1	HOUSING RIGHT HALF	5711144065
96	56323136	1	Strain Relief	5711144063
97	56387562	1	CIRCUIT BREAKER 4A	5711144071
98	56002192	2	SCR PAN HD PHIL 10-24 X .	5711144001
99	56002832	4	Nut Hex Nyl	5711144002
100	56009011	2	Washer	5711144007
101	56009095	1	Lock Nut	5711144008
102	56301636	1	Sw itch, Toggle	5711144040
103	56330907	1	CORD SET	5711144065
104	56643059	1	COVER ACCESS	5711144143
105	56200352	1	GUARD SWITCH HP6A	5711144029
106	56014016	1	DECAL ON/OFF	5711144009
77A	56244138	4	RECEPTACLE TAB .250FC336B	Not shown 5711144034
77A	56330923	1	RFI FILTER	5711144066

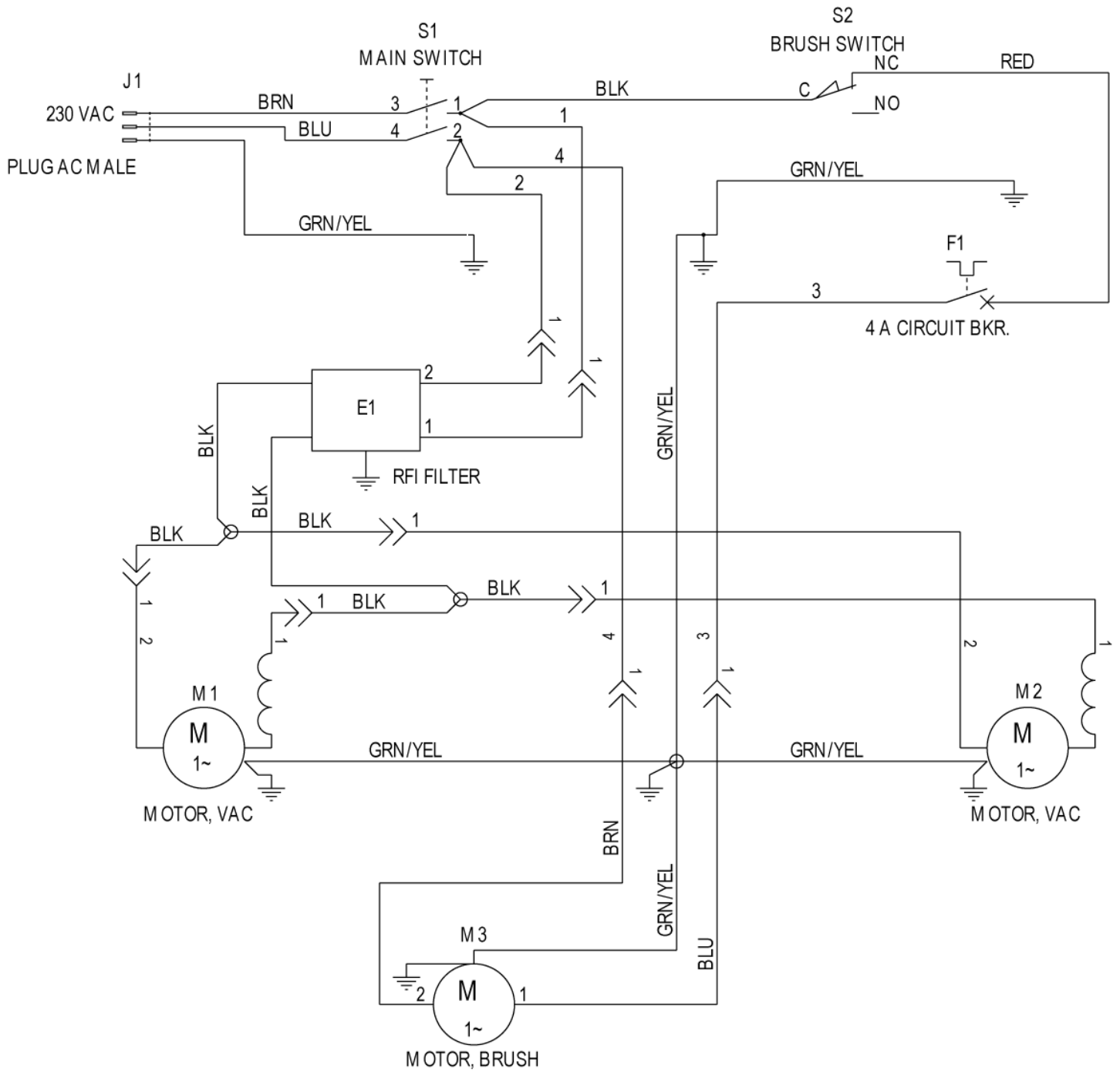
Wiring diagram - 240V

GU 700A

15-08-2011

Part List ID
GU700A17

22



Wiring diagram - 240V

GU 700A

15-08-2011

Part List ID
GU700A17

23

Pos	Part no.	Qty	Description	EAN
E1	56330923	1	RFI FILTER	5711144066
F1	56387562	1	CIRCUIT BREAKER 4A	5711144071
J1	56330030	1	POWER CORD, ARGENTINA	5711144065
J1	56330907	1	CORD SET	5711144065
M1	56203518	2	Brush Mech.(Set/2)	5711144030
M1	56300411	1	Motor 230V 50 Cy Ha542C	5711144040
M2	56203518	2	Brush Mech.(Set/2)	5711144030
M2	56300411	1	Motor 230V 50 Cy Ha542C	5711144040
M3	56330013	1	Motor 1/3 120v	5711144065
M3	56330908	1	BRUSH MOTOR	5711144065
S1	56301636	1	Sw itch, Toggle	5711144040
S2	56026412	1	PUSH SWITCH	5711144013

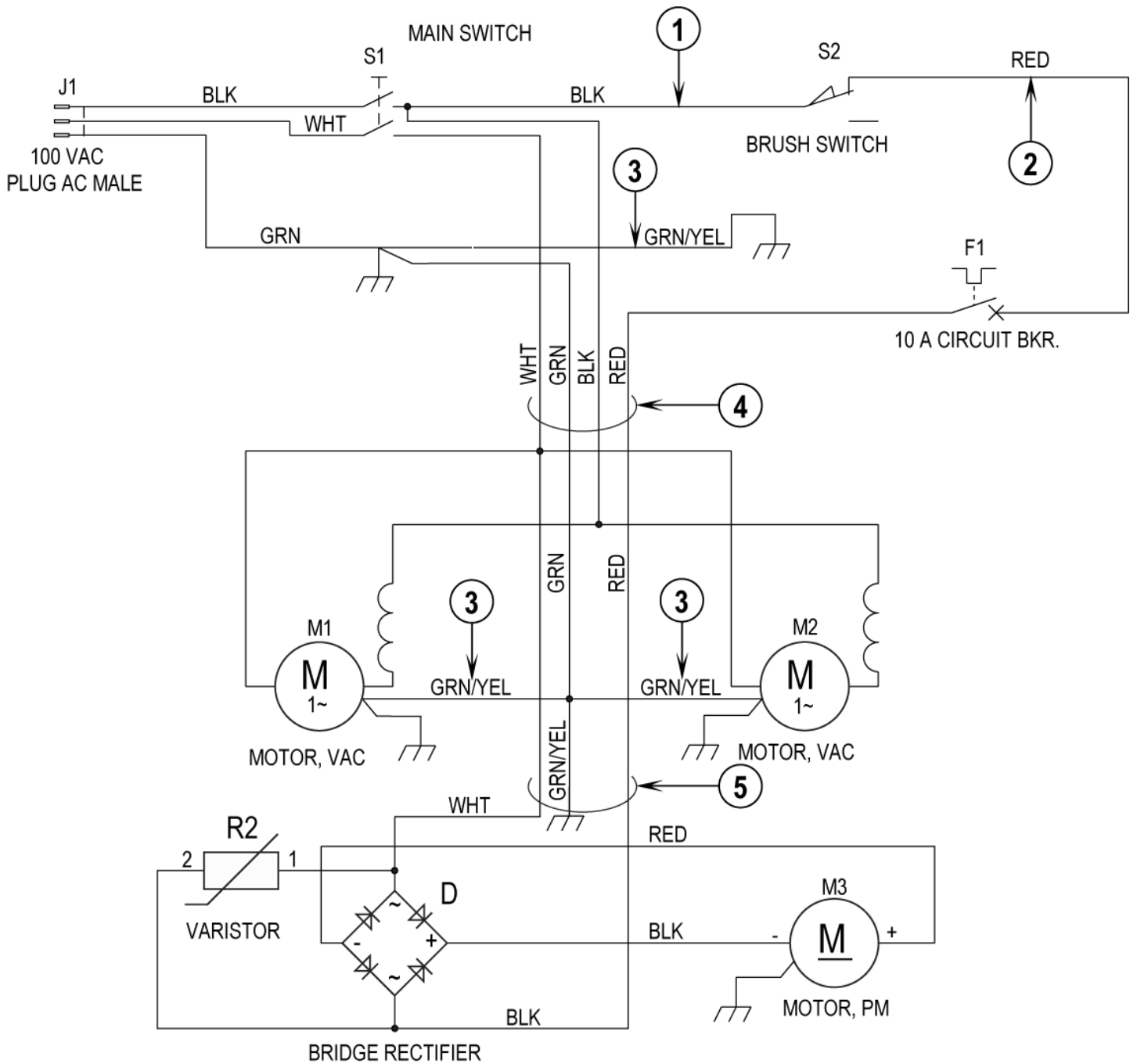
Wiring diagram - 100V

GU 700A

15-08-2011

Part List ID
GU700A19

24



Wiring diagram - 100V

GU 700A

15-08-2011

Part List ID
GU700A19

25

Pos	Part no.	Qty	Description	EAN
1	56330911	1	WIRE RING/RING	5711144065
2	56025648	1	WIRE ASSY. E00206	5711144012
4	56330043	1	CORD ASSY., 14-4	5711144065
5	56025903	1	CORD ASSEMBLY	5711144013
			100V, 120V	
5	56163228	3	WIRE NUT CLOSED END SPLICE I	5711144028
			Not shown	
F1	56387316	1	Circuit Breaker 10A	5711144071
J1	56330042	1	CORD SET, 2.00 X 3 BLK - GU700A	5711144065
M1	56203518	2	Brush Mech.(Set/2)	5711144030
			Set for 56330389 - Not shown	
M1	56330389	1	VAC MOTOR ASSY.	5711144065
M2	56203518	2	Brush Mech.(Set/2)	5711144030
			Set for 56330389 - Not shown	
M2	56330389	1	VAC MOTOR ASSY.	5711144065
M3	56330928	2	BRUSH, CARBON (2 REQ'D)	5711144066
			Set for 56330926 - Not shown	
M3	56330929	2	BRUSH, SPRING (2 REQ'D)	5711144066
			Spring for 56330926 - Not shown	
M3	56330930	2	BRUSH, COVER (2 REQ'D)	5711144066
			Cover for 56330926 - Not shown	
M3		1	NOTE COMMENT	5701715456
			Brush motor, 1/3hp	
R2	56387554	1	Varistor Assy.230V	5711144071
S1	56301636	1	Sw itch, Toggle	5711144040
S2	56026412	1	PUSH SWITCH	5711144013

56323296 - Vacuum Tool Kit

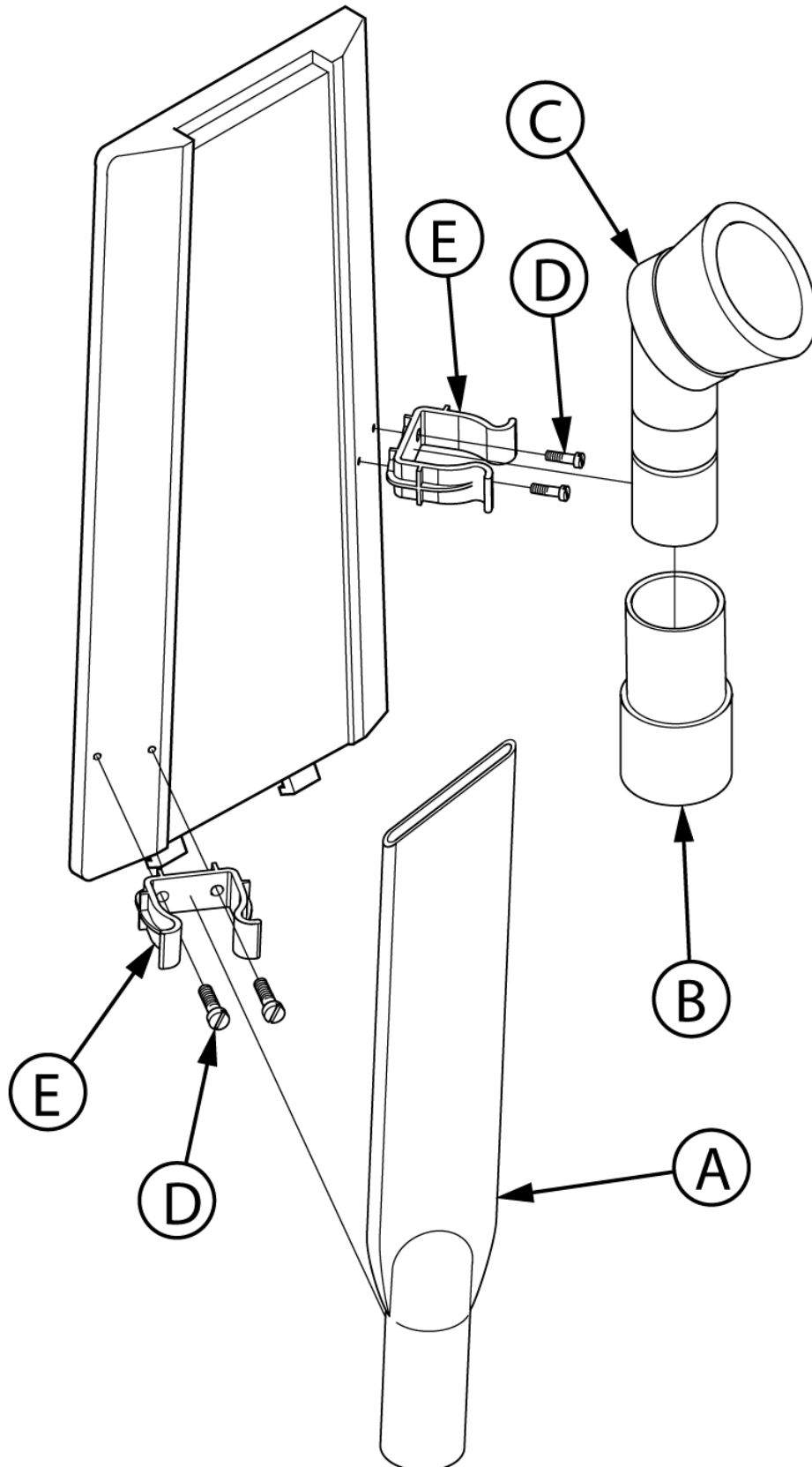
GU 700A

15-08-2011

Part List ID
IS56040626FIG2

26

FIGURE 2



56323296 - Vacuum Tool Kit

GU 700A

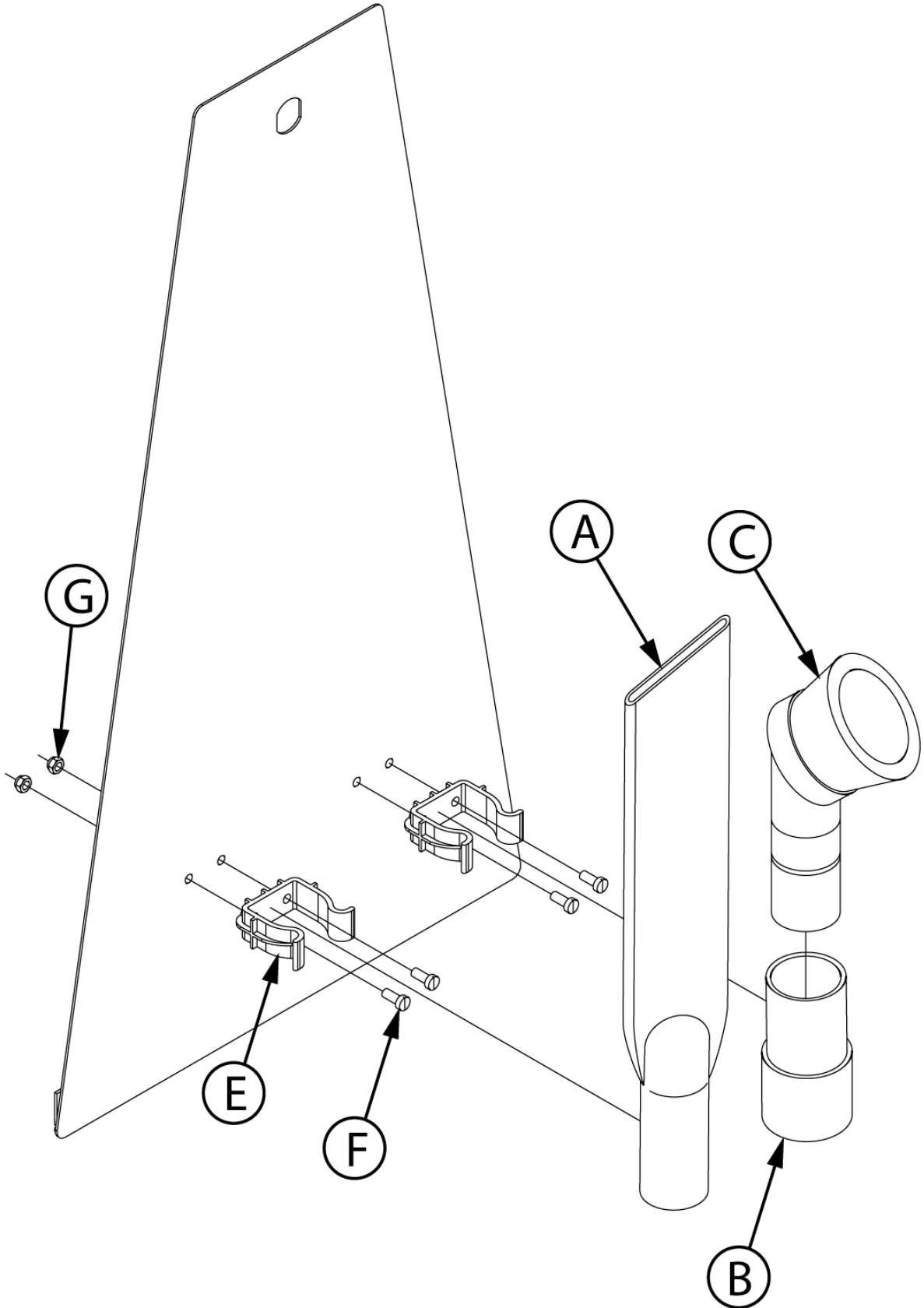
15-08-2011

Part List ID
IS56040626FIG2

27

Pos	Part no.	Qty	Description	EAN
0	56040626	1	INSTRUCTION SHEET	5711144014
A	56701089	1	CREVICE TOOL	
B	56323214	1	ADAPTER TOOL	
C	56701088	1	DUST BRUSH	5711144143
E	56392171	2	Clamp plastic	5711144074
G	56002832	4	Nut Hex Nyl	5711144002

FIGURE 4



56323296 - Vacuum Tool Kit

GU 700A

15-08-2011

Part List ID
IS56040626FIG4

29

Pos	Part no.	Qty	Description	EAN
0	56040626	1	INSTRUCTION SHEET	5711144014
A	56701089	1	CREVICE TOOL	
B	56323214	1	ADAPTER TOOL	
C	56701088	1	DUST BRUSH	5711144143
E	56392171	2	Clamp plastic	5711144074
G	56002832	4	Nut Hex Nyl	5711144002

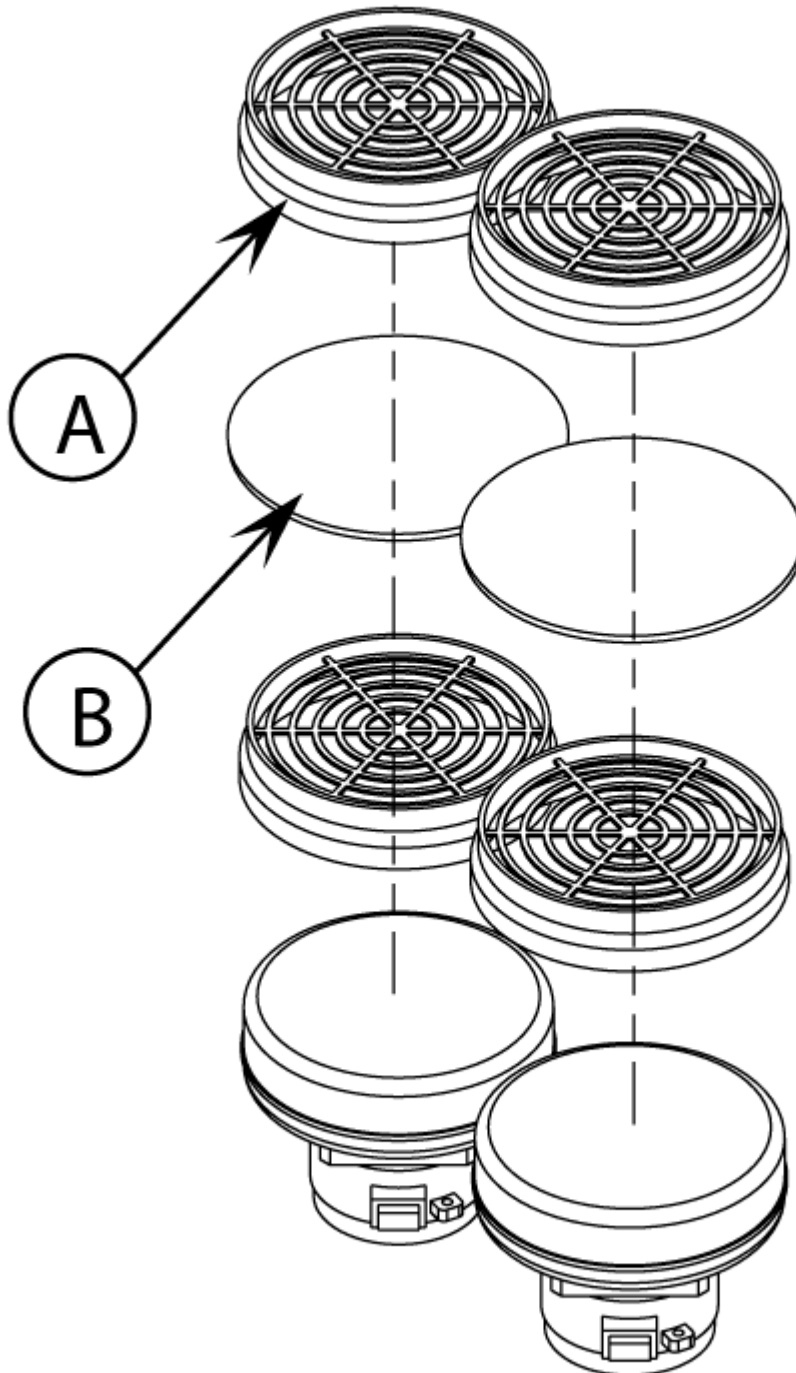
56330920 - Microstat Filter Kit

GU 700A

15-08-2011

Part List ID
IS56040706

30



56330920 - Microstat Filter Kit

GU 700A

15-08-2011

Part List ID
IS56040706

31

Pos	Part no.	Qty	Description	EAN
	56040706	1	INSTRUCTION SHEET	5711144014
A	56384898	2	FILTER GU 700A	5711144070
B	56330922	1	FILTER MICRO 2PK 7.00DIA	5711144065
			PKG OF 2	