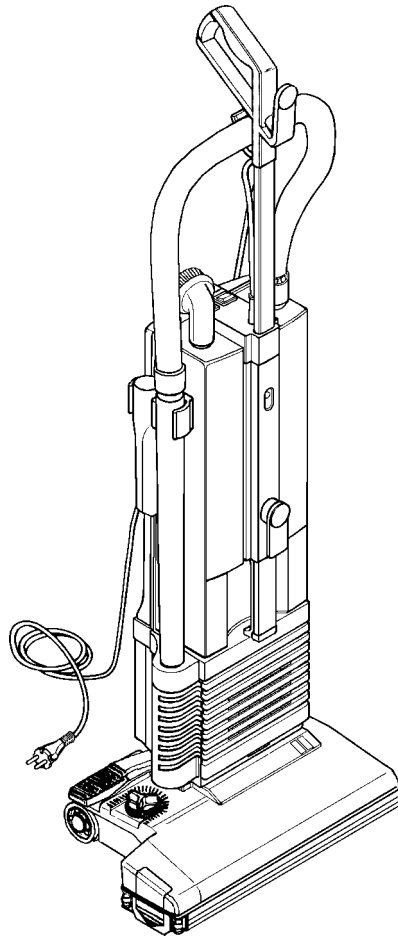


GU 350 / GU 450



PARTS LIST

Nilfisk MODELS 56704070, 56704071

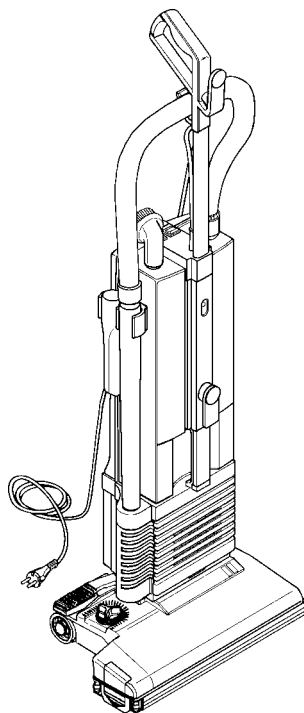
56704072, 56704073, 56704117, 56704118



**Nilfisk
Advance**

setting standards

6/95 revised 10/00 FORM NO. 56042389
BOOK B-SECTION 2.6.1

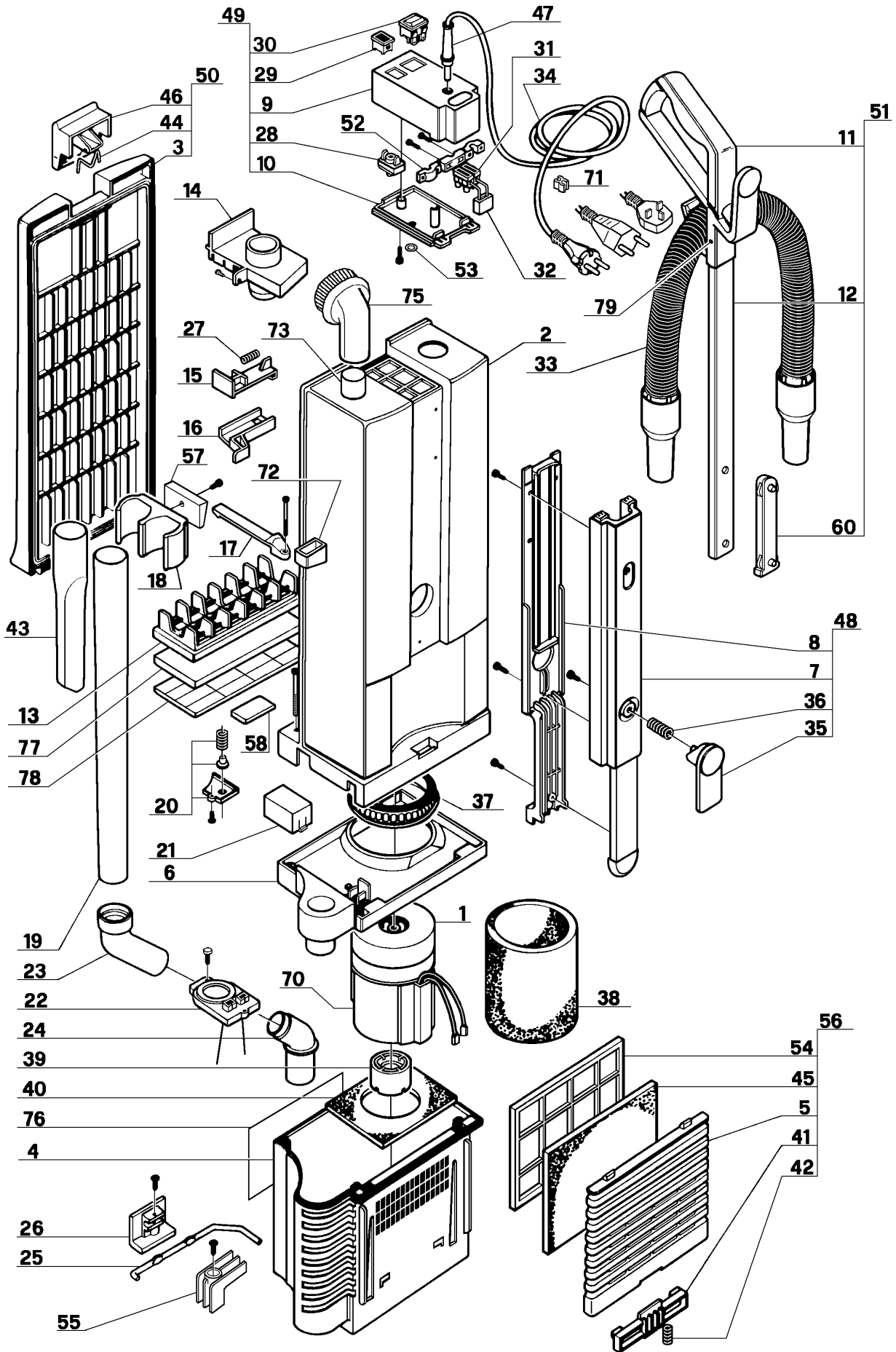
**DESCRIPTION****PLAN**

BAG HOUSING	B-2.6.1-5
BRUSH HOUSING - GU 350	B-2.6.1-7
BRUSH HOUSING - GU 450	B-2.6.1-9
WIRING DIAGRAM	B-2.6.1-11

WHEN ORDERING PARTS

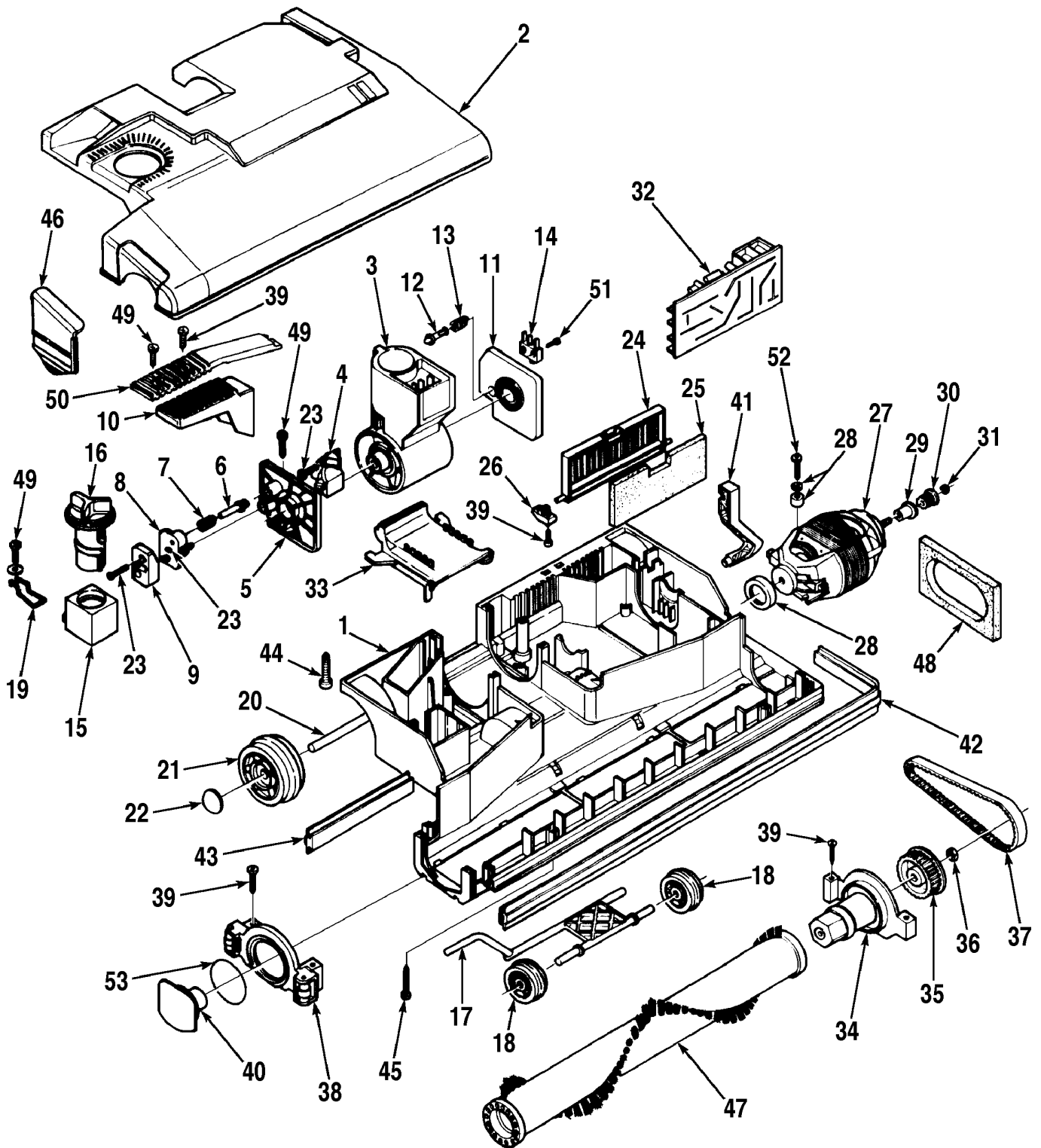
- * Use the 8 digit numbers from the "Ref. No." columns in this parts list.
- * Specify the model and serial number of the machine.
- * Use the space below to record the model and serial number for future reference.

Model _____ Serial No. _____



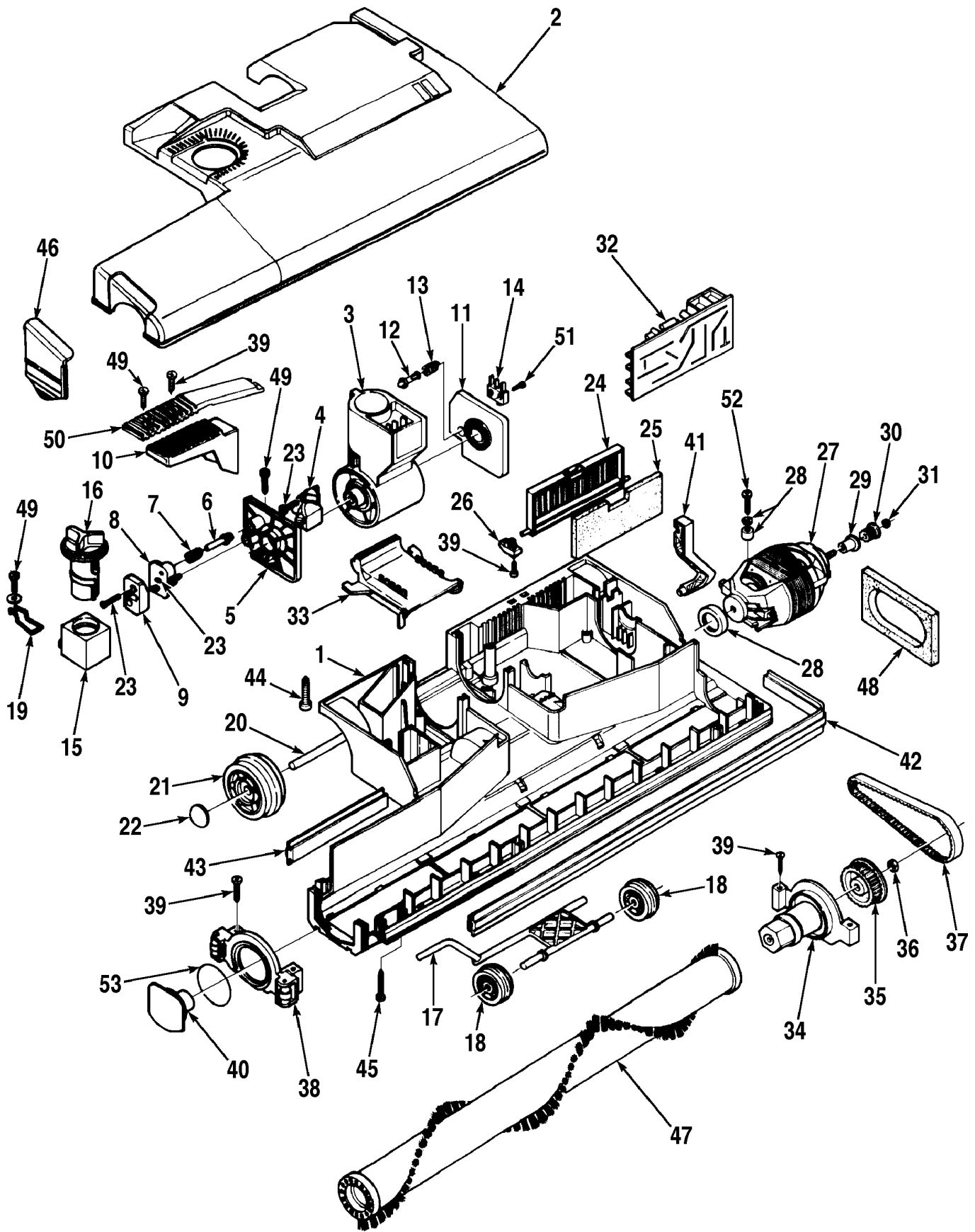
95-6	BAG HOUSING	BOOK B		
00-10	GU 350 / GU 450	B	2.6.1	5

Item	Ref. No.	Qty	Description	Item	Ref. No.	Qty	Description
	56704122	1	Bag Housing Assy (models 56704117, 56704118)	41	56704100	1	Grill Housing Button
	56704084	1	Bag Housing Assy (models 56704070, 56704071)	42	56703949	1	Grill Housing Spring
	56704085	1	Bag Housing Assy (models 56704072, 56704073)	43	56703725	1	Crevice Tool
				44	56703950	1	Spring
				45	56703951	1	Electrostat Exhaust Filter (pkg of 5)
1	56703971	1	Vacuum Motor	46	56704081	1	Bag Housing Cover Button
*	56704136	2	Carbon Brush for 56703971	47	56703953	1	Strain Relief
2	56704083	1	Bag Housing	48	56704089	1	Electrical System Assembly (#7,8,35,36)
3	56704080	1	Bag Housing Cover with Gasket	49	56704079	1	Frame Switch Housing with Cable (#9,10,28,29,30)
4	56703918	1	Outer Vacuum Motor Housing	50	56704082	1	Complete Cover (#3,44,46)
5	56703919	1	Exhaust Filter Cover	51	56704076	1	Handle Tube Assembly (#11,12,60)
6	56703920	1	Inner Vacuum Motor Housing	52	56703977	1	Cord Clamp
7	56704086	1	Frame, Handle Assembly	53	56703978	1	O-Ring
8	56704087	1	Handle Cover	54	56703967	1	Exhaust Grill
9	56704077	1	Switch Housing	55	56703966	1	Joint Pin
10	56704078	1	Switch Housing Cover	56	56704101	1	Complete Grill (#5,41,42,45,54)
11	56704074	1	Handle	57	56703968	1	Slide
12	56704126	1	Chromate Tube with Buttons	58	56703714	1	Scented Pad (pkg of 10)
13	56703927	1	Grill, Filter Holder	60	56704075	1	Handle Button Assembly
14	56703928	1	Bag Entrance	70	56703993	1	Vacuum Motor Shell
15	56703929	1	Bag Holder Button	71	56703990	1	Cord Clip
16	56703930	1	Button Guide	72	56703991	1	Crevice Tool Support
17	56703931	1	Safety Grill Clip	73	56703992	1	Dusting Brush Support
18	56703932	1	Double Wand Clip	75	56703785	1	Round Dusting Brush
19	56703771	1	Extension Tube	76	56017042	1	Warning Decal
20	56703933	1	Relief Valve	77	56703969	1	Filter, Vacuum Inlet
21	56703934	1	Contacts Protection	78	56703914	1	Intake Grill
22	56703858	1	Curve Contacts Support w/2 wires	79	56009128	1	Screw, M3.5-1.3 x 13mm
23	56703936	1	Upper Curve				
24	56703937	1	Lower Curve	**	56704116	1	Paper Filter Bag (pkg of 5 plus 1 Electrostat Exhaust Filter)
25	56703938	1	Blocking Joint Pin	**	56703909	1	Cloth Bag
26	56704090	1	Control Pin Slide	**	56706189	1	Bag Clip for Cloth Bag
*	56704046	1	Screw, 3.9 x 13 mm	**	56703774	1	Upholstery Tool
27	56703940	1	Bag Holder Button Spring	**	56703771	1	Wand Extension 48cm long
28	56703710	1	Vacuum Sensor	**	56703772	1	Bent Wand with Suction Control
29	56703941	1	Indicator Light	**	56703913	1	Cloth Filter Bag with Bag Clip
30	56703708	1	Main Switch				
31	56703783	1	Terminal Block	** =	Optional Accessory, not shown		
32	56703784	1	RFI Filter				
33	56703722	1	Flexible Hose with Sleeves				
	56703854	1	Flexible Hose				
	56703855	2	Sleeve				
34	56704123	1	Power Cord (Swiss Plug)				
	56703974	1	Power Cord (Schuko Plug)				
	56703982	1	Power Cord (British Plug)				
35	56704088	1	Cable Clip				
36	56703943	1	Spring				
37	56703944	1	Gasket				
38	56703945	1	Sound Reduction Foam				
39	56703946	1	Gasket				
40	56703947	1	Lower Motor Filter				



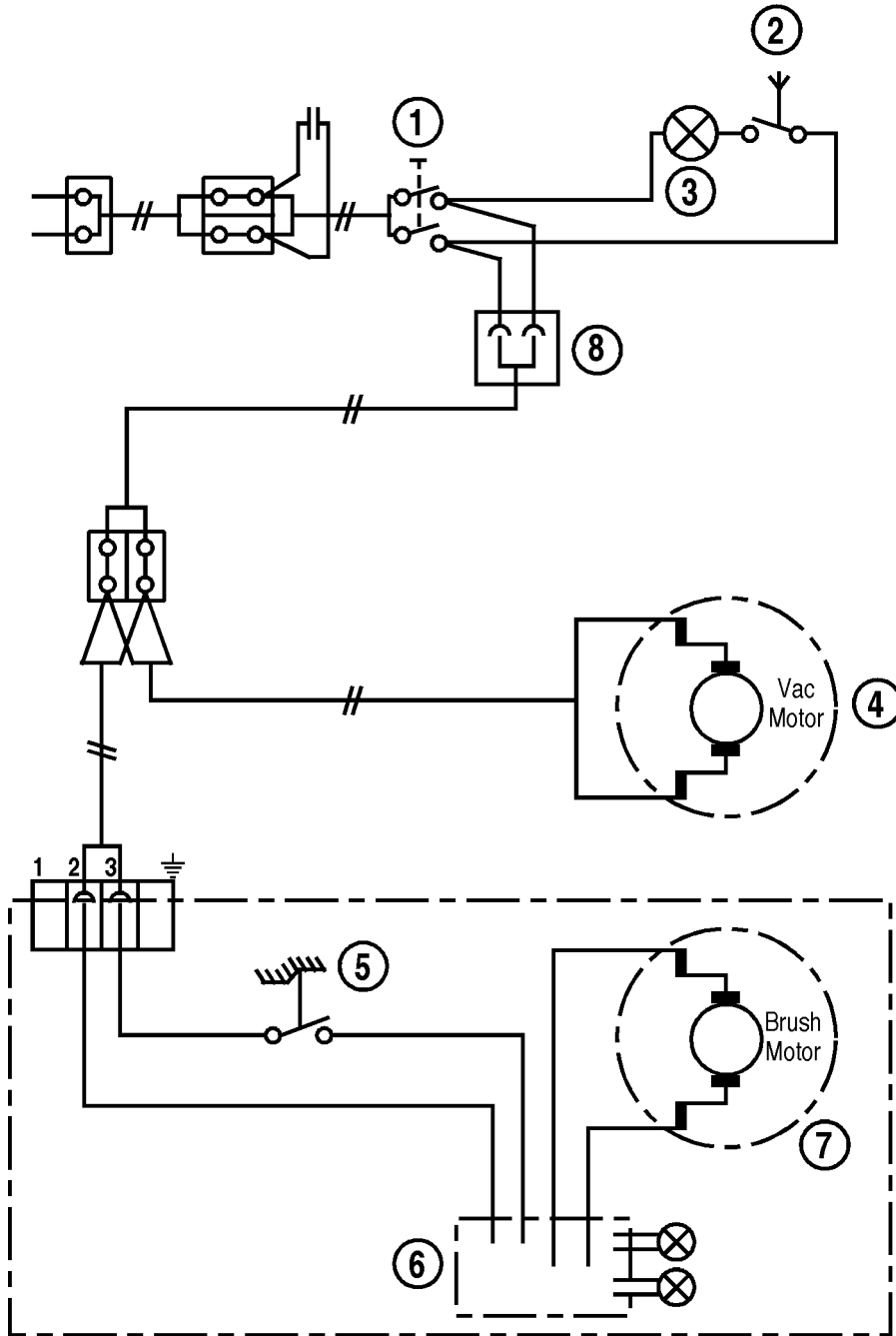
95-6	BRUSH HOUSING - GU 350	BOOK B		
00-10	GU 350 / GU 450	B	2.6.1	7

Item	Ref. No.	Qty	Description	Item	Ref. No.	Qty	Description
	56704102	1	Brush Housing Assy	27	56703657	1	Brush Motor
1	56704104	1	Body Main Brush Head	*	56704137	2	Carbon Brush for 56703657
*	56704133	1	Base Assy (#1, 15, 17-22, 28, 49)	28	56704038	1	Brush Motor Support Kit
2	56704103	1	Electric Brush Cover	29	56704130	1	Pulley Spacer
3	56704064	1	Joint Complete w/pin slide (#4)	30	56704129	1	Brush Motor Pulley
			TSB 675	31	56703853	1	Brush Motor Nut
*	56704131	1	Prong Set w/3 cables	32	56704026	1	Circuit Board
4	56704016	1	Joint Pin Slide	33	56704112	1	Felt Support w/one felt seal
5	56704017	1	Support Right Joint w/felt seal				TSB 675
6	56704018	2	Plunger	34	56704044	1	Transmission Support
7	56703766	2	Spring, Handle Release Pedal	35	56703747	1	Brush Pulley
8	56704019	1	Double Pin Washer	36	56703746	1	Brush Pulley Nut
9	56704111	1	Double Release Plate	37	56704039	1	Belt
10	56704107	1	Handle Release Pedal	38	56704047	1	Wheels Support
11	56704022	1	Support Left Joint w/felt seal	39	56704041	2	Screw, 3.9 x 16
12	56704023	1	Switch Activator Pin	40	56704049	1	Roller Support
13	56704024	1	Spring	41	56704050	1	Side Lever
14	56703738	1	Brush Motor Switch	42	56704051	1	Front Bumper Gasket
15	56704110	1	Brush Adjuster	43	56704053	1	Back Bumper Gasket
16	56704109	1	Brush Adjuster Knob	44	56704055	5	Screw, 4.8 x 50
17	56704028	1	Front Axle	45	56704056	2	Screw, 3.5 x 38
18	56704029	2	Front Wheel	46	56704105	1	Side Cover
19	56704030	1	Spring, Brush Adjust	47	56704058	1	Brush Roller
20	56704031	1	Rear Axle	48	56704060	1	Brush Motor Filter
21	56704032	2	Rear Wheel	49	56704046	1	Screw, 3.9 x 13
22	56704033	2	Wheel Retainer	50	56704108	1	Lever
23	56704065	4	Screw, 2.9 x 16	51	56704045	1	Screw, 2.2 x 16
24	56704106	1	Filter Grill	52	56704067	2	Screw, 3.5 x 22
25	56704035	1	Brush Motor Filter	53	56704135	1	O-Ring
26	56704124	1	Stop Grill Plate				



95-6	BRUSH HOUSING - GU 450	BOOK B		
00-10	GU 350 / GU 450	B	2.6.1	9

Item	Ref. No.	Qty	Description	Item	Ref. No.	Qty	Description
	56704113	1	Brush Housing Assy	27	56704025	1	Brush Motor
1	56704115	1	Body Main Brush Head	*	56704137	2	Carbon Brush for 56704025
*	56704134	1	Base Assy (#1, 15, 17-22, 28, 49)	28	56704038	1	Brush Motor Support Kit
2	56704114	1	Electric Brush Cover	29	56704130	1	Pulley Spacer
3	56704064	1	Joint Complete w/pin slide (#4)	30	56704129	1	Brush Motor Pulley
			TSB 675	31	56703853	1	Brush Motor Nut
*	56704131	1	Prong Set w/3 cables	32	56704026	1	Circuit Board
4	56704016	1	Joint Pin Slide	33	56704112	1	Felt Support w/one felt seal
5	56704017	1	Support Right Joint w/felt seal				TSB 675
6	56704018	2	Plunger	34	56704044	1	Transmission Support
7	56703766	2	Spring, Handle Release Pedal	35	56703747	1	Brush Pulley
8	56704019	1	Double Pin Washer	36	56703746	1	Brush Pulley Nut
9	56704111	1	Double Release Plate	37	56704039	1	Belt
10	56704107	1	Handle Release Pedal	38	56704047	1	Wheels Support
11	56704022	1	Support Left Joint w/felt seal	39	56704041	2	Screw, 3.9 x 16
12	56704023	1	Switch Activator Pin	40	56704049	1	Roller Support
13	56704024	1	Spring	41	56704050	1	Side Lever
14	56703738	1	Brush Motor Switch	42	56704052	1	Front Bumper Gasket
15	56704110	1	Brush Adjuster	43	56704054	1	Back Bumper Gasket
16	56704109	1	Brush Adjuster Knob	44	56704055	6	Screw, 4.8 x 50
17	56704028	1	Front Axle	45	56704056	3	Screw, 3.5 x 38
18	56704029	2	Front Wheel	46	56704105	1	Side Cover
19	56704030	1	Spring, Brush Adjust	47	56704059	1	Brush Roller
20	56704031	1	Rear Axle	48	56704060	1	Brush Motor Filter
21	56704032	2	Rear Wheel	49	56704046	1	Screw, 3.9 x 13
22	56704033	2	Wheel Retainer	50	56704108	1	Lever
23	56704065	4	Screw, 2.9 x 16	51	56704045	1	Screw, 2.2 x 16
24	56704106	1	Filter Grill	52	56704067	2	Screw, 3.5 x 22
25	56704035	1	Brush Motor Filter	53	56704135	1	O-Ring
26	56704124	1	Stop Grill Plate				



95-6	WIRING DIAGRAM	BOOK B		
00-10	GU 350 / GU 450	B	2.6.1	11

Item	Ref. No.	Qty	Description
1	56703708	1	Main Switch
2	56703710	1	Vacuum Sensor
3	56703941	1	Indicator Light
4	56703971	1	Vacuum Motor
5	56703738	1	Brush Motor Switch
6	56704026	1	Circuit Board
7	56703657	1	Brush Motor
8	56703784	1	RFI Filter

DANMARK

Nilfisk-Advance Nordic A/S
 Myntevej 3, 8900 Randers
 ☎ 86 42 84 33 – Fax 86 41 19 55

NORGE

Nilfisk-Advance AS
 Enebakkn, 119, 0680 Oslo, Postboks 196, Manglerud,
 0612 Oslo
 ☎ 22 08 63 50 – Fax 22 08 63 63
 Distriktsrepresentanter over hele landet

SVERIGE

Nilfisk-Advance AB
 Sjöbjörnsvägen 5, 117 67 Stockholm
 ☎ 085 55 944 00 – Fax 085 55 944 30

FINLAND/ SUOMI

Oy Tecalemit AB
 Hankasuontie 13, 00390 Helsinki
 ☎ (89) 547 701 – Fax (89) 547 1779

AUSTRALIA

Nilfisk-Advance Pty. Ltd.
 ACN 003 762 623
 Head office: 17 Leeds Street, Rhodes, N. S. W. 2138
 ☎ (02) 9736 1244 – Fax (02) 9736 3910
 Customer Responce Centre:
 ☎ 1 800 011 013

BELGIQUE / BELGIË/ LUXEMBOURG

Nilfisk-Advance s.a./n.v.
 Doornveld/ Sphere Business Park
 Industrie Asse 3, nr 11 – bus 41
 1731 Zellik-Asse
 ☎ (02) 467.60.50 Fax (02) 463.44.16

CANADA

Nilfisk-Advance Ltd.
 396 Watline Avenue
 Mississauga, Ontario L4Z 1X
 ☎ (905) 712-3260 – Fax (905) 712-3255

DEUTSCHLAND

Nilfisk-Advance AG
 Siemensstraße 25-27
 25462 Rellingen
 ☎ (041 01) 3990 – Fax (04101) 399191
 Zentraler Kundenservice
 ☎ für die Industrie: 0180 535 67 97
 ☎ Institutionen und Gebäudereiniger: 0180 500 11 70

FRANCE

Nilfisk-Advance S.A.
 BP 246
 91944 Courtaboeuf Cedex
 ☎ (01) 69.59.87.00 Télécopie (01) 69.59.87.01

HONG KONG

Nilfisk-Advance Ltd.
 2001, 20/F HK Worsted Mills
 Industrial Building
 31-39 Wo Tong Tsui Street
 Kwai Chung, N.T.
 ☎ 2427 59 51 – Fax 2487 5828

IRELAND

Nilfisk-Advance Ltd.
 28 Sandyford Office Park
 Dublin 18
 ☎ +353 1 2943838 – Fax +353 1 2943845

JAPAN

Nilfisk-Advance Inc.
 3-4-9 Chigasaki Minami
 Tsuzuki-Ku Yokohama 224
 ☎ 045-942-7741 – Fax 045-942-6545

MALAYSIA

Nilfisk-Advance Sdn Bhd
 Lot 2, 1st. Floor
 Lorong 19/1A
 46300 Petaling Jaya
 Selangor Darul Ehsan
 ☎ 03-7568188 / 03-7568189 / 03-7568388 – Fax 03-7566828

NEDERLAND

Nilfisk-Advance B.V.
 Flevolaan 7, Postbus 341
 1380 AH Weesp
 ☎ 0294-462121 – Fax 0294-430053

NEW ZEALAND

Nilfisk-Advance Limited
 477 Great South Road, Penrose
 Auckland
 ☎ (09) 525 0092 – Fax (09) 525 6440

SCHWEIZ / SUISSE

Nilfisk-Advance AG
 Ringstrasse 19, 9533 Kirchberg/Wil
 ☎ 719 23 52 83 – Fax 719 23 84 44

SINGAPORE

Nilfisk-Advance Pte. Ltd.
 10, Woodlands Loop
 Singapore 738388
 ☎ (65) 759 9100 – Fax (65) 759 9133

TAIWAN

Nilfisk-Advance Ltd.
 1 F, No.23, Lane 132, Sec. 2
 Ta An Road, Taipei
 ☎ 700 22 68 – Fax 784 08 43

UNITED KINGDOM

Nilfisk-Advance Limited
 Newmarket Road
 Bury St. Edmunds
 Suffolk IP 33 3SR
 ☎ (01284) 763163 – Fax (01284) 750562

USA

Nilfisk-Advance Inc.
 14600 21st Avenue North
 Plymouth, MN 55447-3408
 ☎ +1 763 745 3500 – Fax 1 763 745 3895

Nilfisk-Advance of America, Inc.
 300 Technology Drive
 Malvern, PA 19355
 ☎ (610) 647 647-6427

ÖSTERREICH

Nilfisk-Advance GmbH
 Vorarlberg Allee 46
 1230 Wien
 ☎ 1 616 58 30 – Fax 1 616 58 30 40

ESPAÑA

Nilfisk-Advance, S.A.
 Torre D'Ara
 Passeig del Rengle, 5 Pl.9-10
 E-08302 – Mataró (Barcelona)
 ☎ Tel. 93 741 24 00 – Fax: 93 757 80 20
 Central atención al cliente: 902 200 201
nilfisk@nilfisk-advance.es – www.nilfisk-advance.com
 Distribuidores y Servicio Técnico en toda España y Andorra

ITALIA

Calorlux Nilfisk S.p.A.
 Via Marzabotto 2
 40050 Funo di Argelato BO
 ☎ (051) 862446 – Fax (051) 862682
 Milano (02) 93903940
 Torino (011) 4334302
 Vendita e assistenza in tutta Italia

PORTUGAL

Nilfisk-Advance Lda.
 Rua Cândido de Figueiredo, 91-i, 1500-133 LISBOA
 ☎ 01/7784142 – Fax 01/7785613
 Porto 02/526766 – Fax 02/520739
 Açores 096/628092/3 – Fax 096/628129
 Madeira 091/228965 – Fax 091/228796

GREECE

Embiom S.A.
 Λεωφ. Βουλιαγμένης 60
 Αργυρούπολη
 164 52 Αθήνα
 ☎ 9950613 - Fax 9951680



**Nilfisk
 Advance**

setting standards