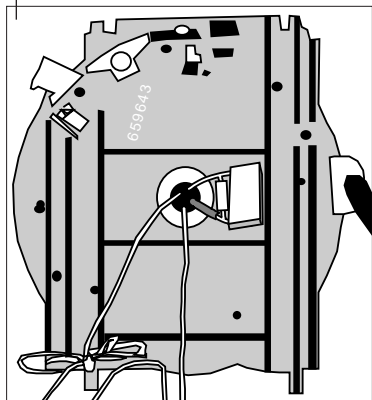
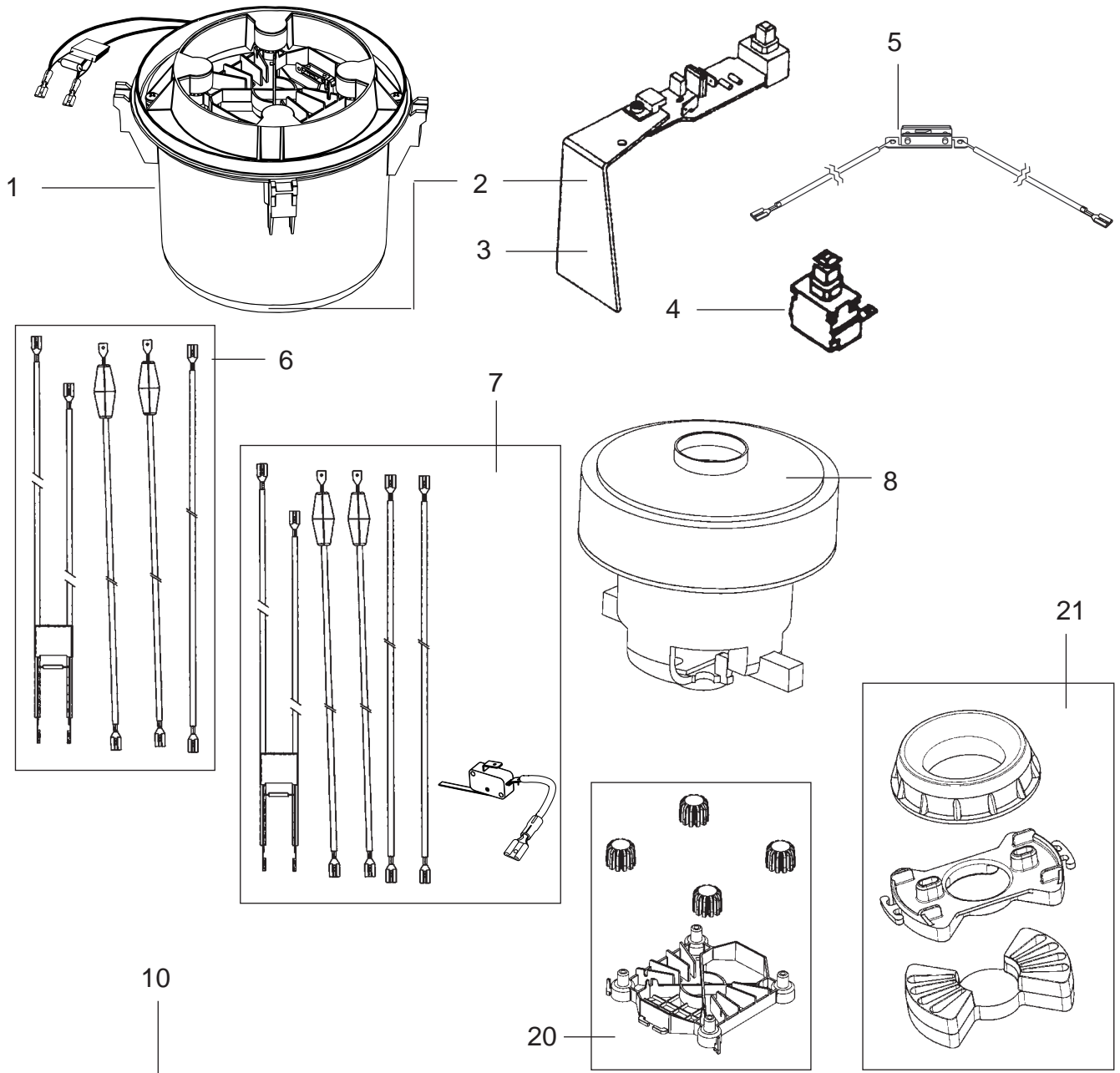
**DESCRIPTION****PLAN**

Motor, switches and cable reel	A - 0.6.3 - 2
Main filters, dust bag	A - 0.6.3 - 4
Wheel, disassembly tool and sales box for machine	A - 0.6.3 - 6
Container upper parts	A - 0.6.3 - 8
Container bottom parts	A - 0.6.3 - 14
Tubes, parking clip, and hoses	A - 0.6.3 - 16
Nozzles	A - 0.6.3 - 18



Cable reel, ref. no. 118408xx and 223526xx

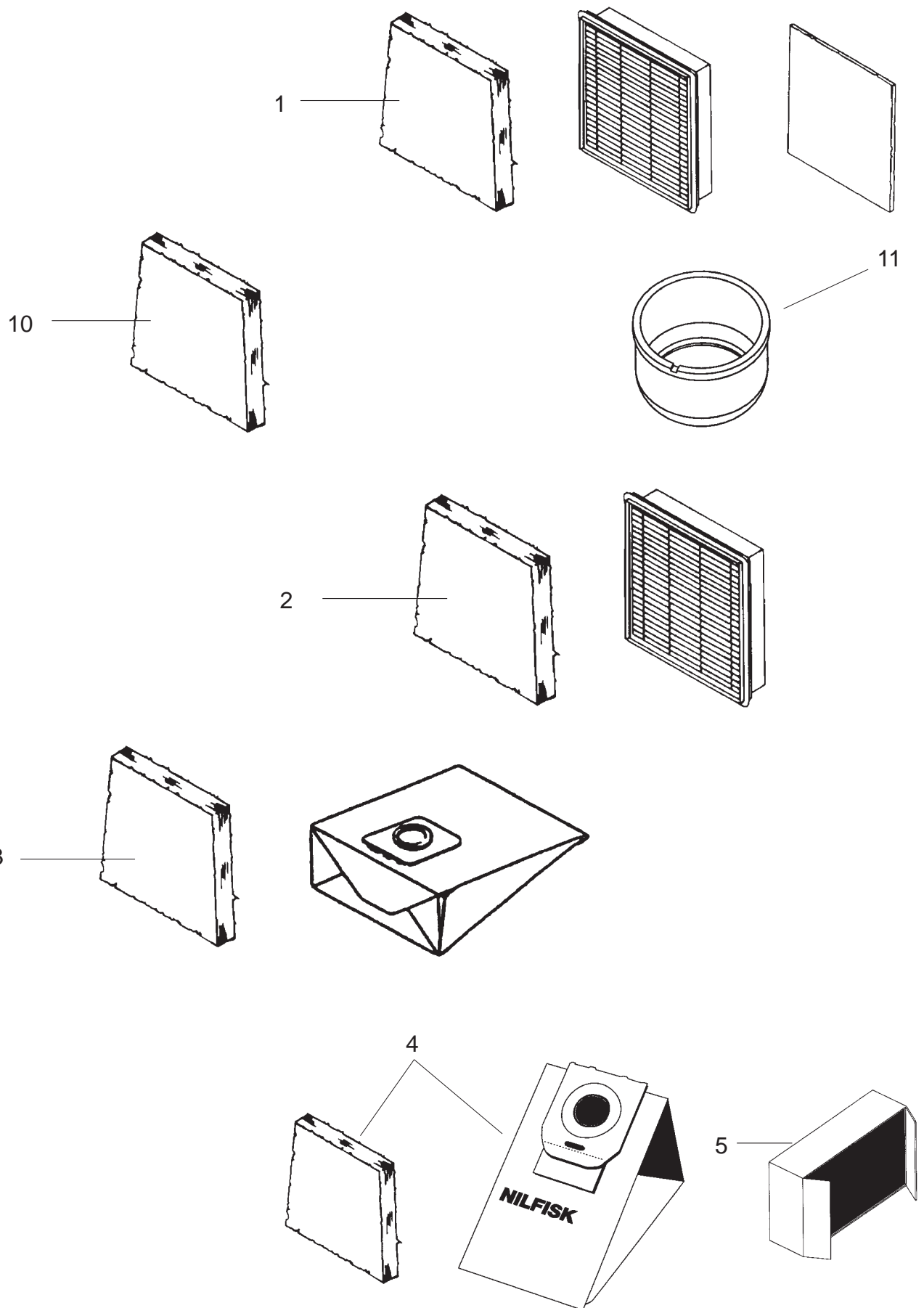
	Voltage	Plug type	
Index 01, Europa	250		
Index 03, UK	250		
Index 06, AUS/NZ	250		
Index 07, CH	-		

00-10	MOTOR SERVICE KIT	BOOK A		
01-11	MOTOR AND CORD TYPES, ALL MODELS	A	0.6.3	3

Item	Ref.No.	Qty	Description	EAN Code No. 5715492+
			Kit for: GM 200E/200/300/305/310/315 400/405/410/415	
1	12149200	1	Motor/fan unit kit: 220-240 V, 50-60 Hz, 1200 W	+ 00 5390
			Kit for: GM 210/320/325/330	
2	22186000	1	Motor/fan unit kit: 220-240 V, 50-60 Hz, 1200 W with two speed regulation PCB	+ 00 5482
			Kit for: GM 210/320/325/330/420/425/430 & King 530/540	
3	31965001	1	Two speed regulation PCB 220-240 V, 50-60 Hz, 1200 W	+ 00 5475
4	22365700	1	On/off switch single pole	+ 01 1896
5	22201100	1	Internal wire kit with thermo switch	+ 00 6885
6	22352400	1	Internal wire kit	+ 01 1117
7	22352500	1	One speed King 510/520 Internal wire kit	+ 01 1124
8	22352200	1	Two speed King 530/540 Motor / Fan unit, 220-240v, 50-60 Hz, 1200w	+ 01 1094
10	118408xx	x	Cord reel, only GM 200/300/400 series length = 7m Mat.: PVC and copper. Colour: Black	
	11840803	1	UK version	+ 00 5529
	11840807	1	Switzerland	+ 00 5543
	223526xx	x	Cord reel, only King 500 series length = 7m Mat.: PVC and copper. Colour: Black	
	22352601	1	EU version	+ 01 1131
	22352603	1	UK version	+ 01 1148
	22352606	1	Australia, New Zealand	+ 01 1155
	22352607	1	Switzerland	+ 01 1162
20	22231100	1	Motor grommets and frame	+ 007691
21	22352700	1	Motor suspension Kit, only King 500 series Motor/fan unit ref. no. 22352200	+ 01 1179

Note

>> means: New or changed ref. no.



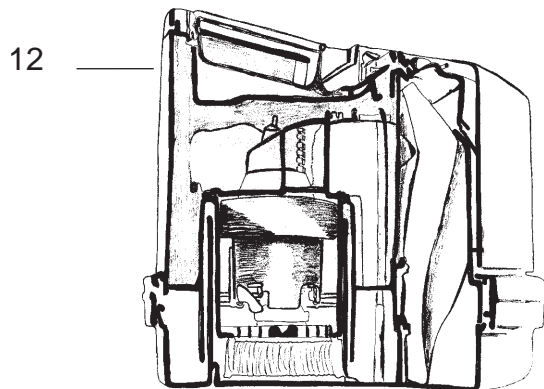
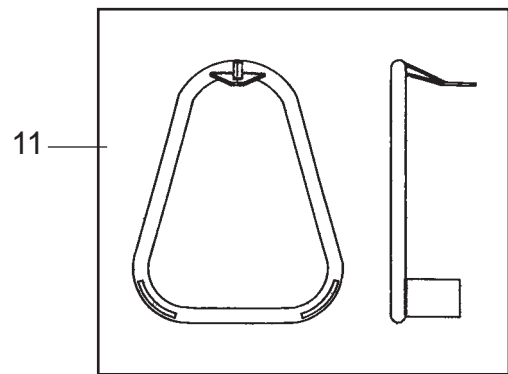
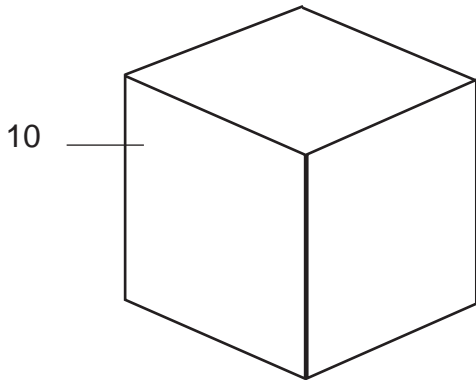
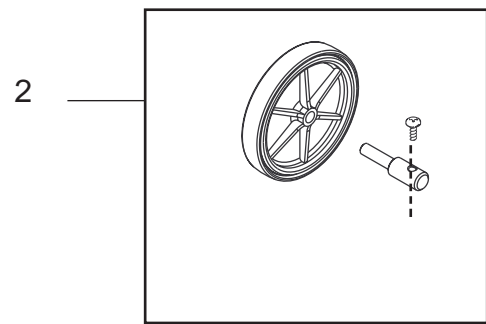
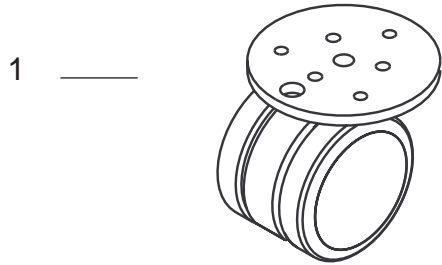
00-12	FILTER SERVICE KIT	BOOK A		
03-07	FILTER, DUST BAG	A	0.6.3	5

Item	Ref.No.	Qty	Description	EAN CODE No. 5715492 +
------	---------	-----	-------------	---------------------------

			GM 200E/200, GM 300/305, GM 400/405	
1	21982500	1	Standard filter complete Area: 1040 cm ²	+ 002191
>> 10	81844300	1	Prefilter	+ 029389
11	22410600	1	Adaptor for self-locking dust bag, only GM 200 series	+ 018062
			GM 210, GM 310/315/320/330, GM 410/415/420/430	
2	21983000	1	HEPA filter complete Area: 2400 cm ²	+ 002184
			King 500 series only	
	22356800	1	Hepa filter complete	+ 010905
			Only Gm 200/300/400 series	
3	81846000	1	Dust bag (6,5 l) packed with 5 pcs and 1 pcs. prefilter, packed in a sales carton. Mat.: Paper unbleached (dust bag) Colour: Brown (dust bag)	+ 184606
			All models	
4	22359500	1	Dust bag (6,5 l) packed with 5 pcs. and 1 pcs. prefilter, packed in a sales carton. Mat.: Paper unbleached (dust bag) Colour: Brown (dust bag)	+ 010912
			King 500 series only	
5	22358500	1	Active carbon filter	+ 010851

Note

>> means: New or changed ref. no.



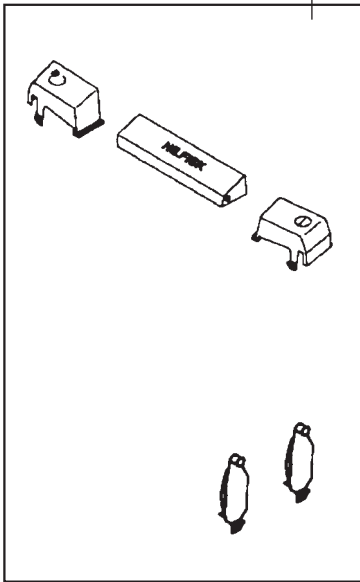
01-01	SERVICE KIT	BOOK A		
01-11	WHEEL, DISASSEMBLY TOOL & SALES BOX	A	0.6.3	7

Item	Ref.No.	Qty	Description	EAN CODE No. 5715492 +
1	12118100	1	Swivel wheel with internal plate and screws	+ 00 3280
>> 2	22352800	1	King 500 series only Rear wheel complete	+ 01 1186
10	22360200	1	King 500 series only Sales cardboard box	+ 01 1414
>>	22360201	1	Sales cardboard box, Mocca	+ 01 2060
11	22361400	1	Disassembly tool (for top and bottom housing)	+ 01 1452
>> 12	22363500	1	Cut through model for sales display	+ 01 1551

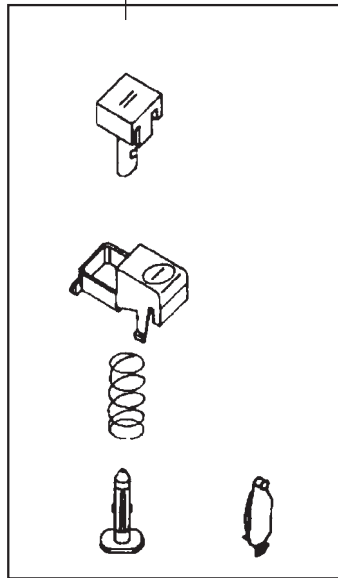
Note

>> means: New or changed ref. no.

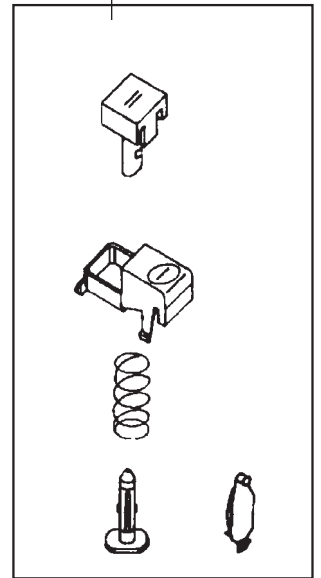
20



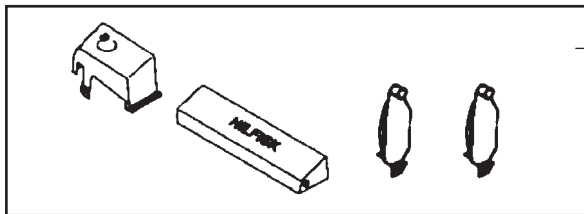
21



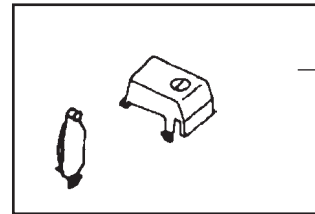
102



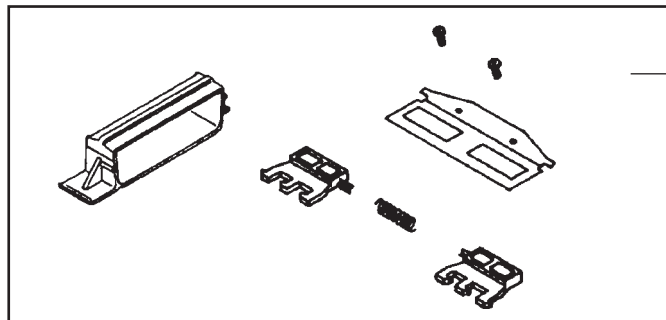
101



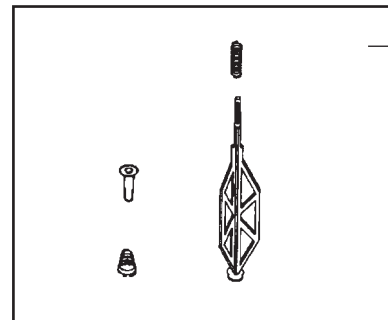
100



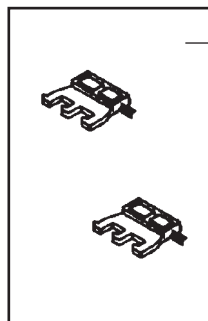
103



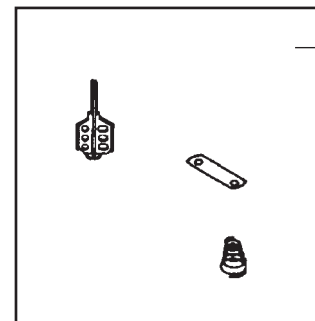
104



106

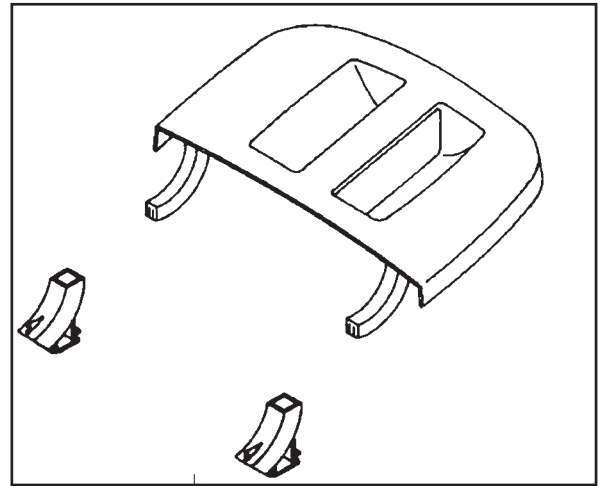
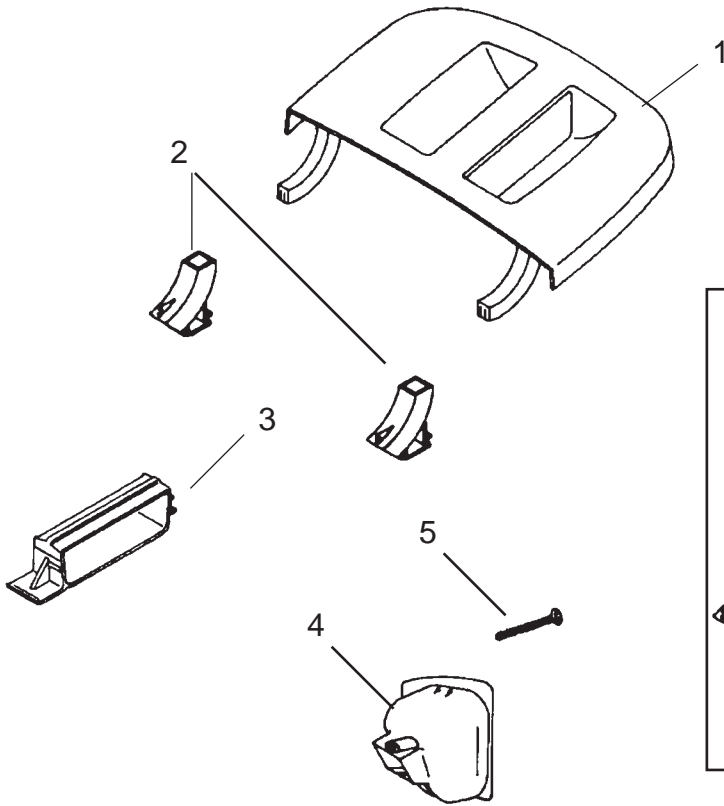


105

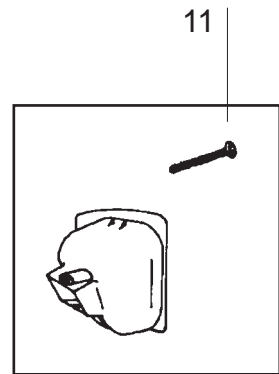
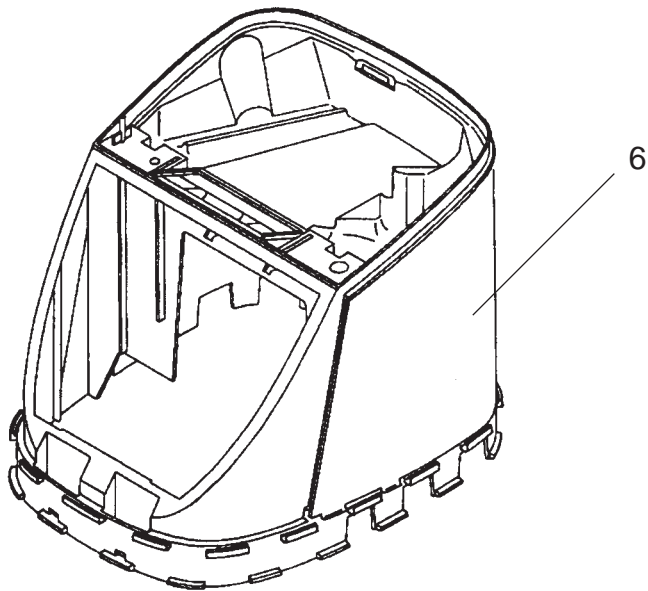


01-11	CONTAINER SERVICE KIT AND SPARE PARTS	BOOK A		
03-05	UPPER PARTS, GM 200/300/400 & KING 500 SERIES	A	0.6.3	9

Item	Ref.No.	Qty	Description	Note	EAN code 5715 492+
20	22226001	1	For GM "Time" and "Arnoldi"		+009312
21	22226300	1	Button service kit for on/off and two speed regulation Colour: Grey	For two speed models	+007424
100	22352900	1	On/off button one speed		+ 011193
101	22353900	1	Button set		+ 011339
102	22352901	1	On/off button two speed	Colour: Black	+ 011209
103	22353000	1	Dust lid retainer kit with black handle		+ 011216
104	22353200	1	On/off activater set	All models	+ 011230
105	22353100	1	Cord reel activater set	All models	+ 011223
106	22361200	1	Ratchet left/right Colour: Grey	All models	+ 011438



10



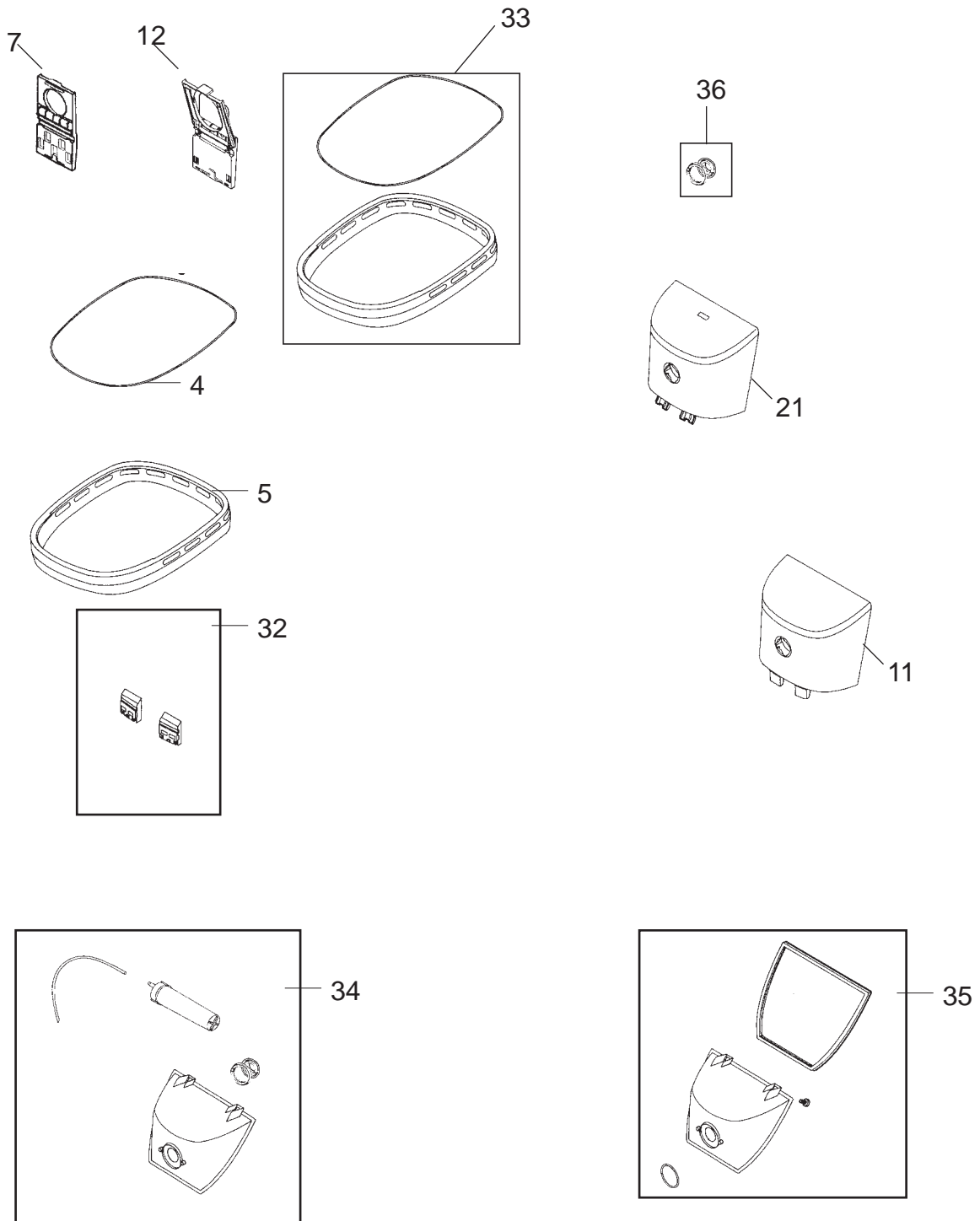
11

01-01	CONTAINER SPARE PARTS	BOOK A		
01-11	UPPER PARTS, GM 200/300/400 & KING 500 SERIES	A	0.6.3	11

Item	Ref.No.	Qty	Description	Note	EAN code 5715492+
1	818466xx	x	Lid for accesory		
	81846600	1	Blue GM 200		
	81846601	1	Light grey GM 200E (Depleted when no longer on stock)		
	81846602	1	Dark grey GM 210 / 300 Series / 400 Series and all models when blue and light grey are depleted		
	22301900	1	Black GM "Time"/Arnoldi/King		+009220
10	22353300	1	Accessory lid kit, colour: Black		+011247
2	81846400	2	Hinge		+021864
3	818469xx	x	Handle		
	81846902	1	Dark grey		
	22302700	1	Black GM "Time"/Arnoldi		+009268
4	819807xx	x	Cable teminal		
	81980700	1	Blue GM 200 (Depleted when no longer on stock)		
	81980701	1	Light grey GM 200E (Depleted when no longer on stock)		
	81980702	1	Dark grey GM 210 / 300 Series		
	81980703	1	Dark grey GM400 Series with hole for parking		
	22302900	1	Black GM "Time"/Arnoldi/GM 500 series		+009275
5	81981100	1	Screw		
11	22353400	1	Cable terminal kit, colour: Black		+011254
6	218580xx	x	Upper parts in colour:/alu-shield in colour (campaign models not on stock)		
	21858007	1	Dark grey/glossy GM 410 to be used as spare parts when other upper parts are depleted		+ 008209
	21858008	1	Dark grey/white GM 405/415/425		+ 008100
	21858009	1	Dark grey/light blue metallic GM 420		+ 008117
	21858010	1	Dark grey/green metallic GM 430		+ 008124
	21858012	1	Dark grey/orange siena GM 410 SIENA		+ 008148
	21858013	1	Dark grey/green-yellow GM 410/K400M Colour: H 996032		+ 008216
	21858014	1	Dark grey/light green metallic GM 414		+ 008223
	21858015	1	Black/Arnoldi designed alu-shield GM Arnoldi (Depleted when no longer on stock)		+ 008728
	21858017	1	Black/"Seasons" Light blue, RAL 5024		+009985
	22353510	1	Upper part set, King 510, colour: Black/Cherry red metallic		+011261
	22353520	1	Upper part set, King 520, colour: Black/Mint green metallic		+011278
	22353530	1	Upper part set, King 530, colour: Black/Ice blue metallic		+011285
	22353540	1	Upper part set, King 540, colour: Black/Silver metallic		+011292
	22353598	1	Upper part set, King - Mocca, colour: Black/Mocca		+012169

Note

>> means: New or changed ref. no.

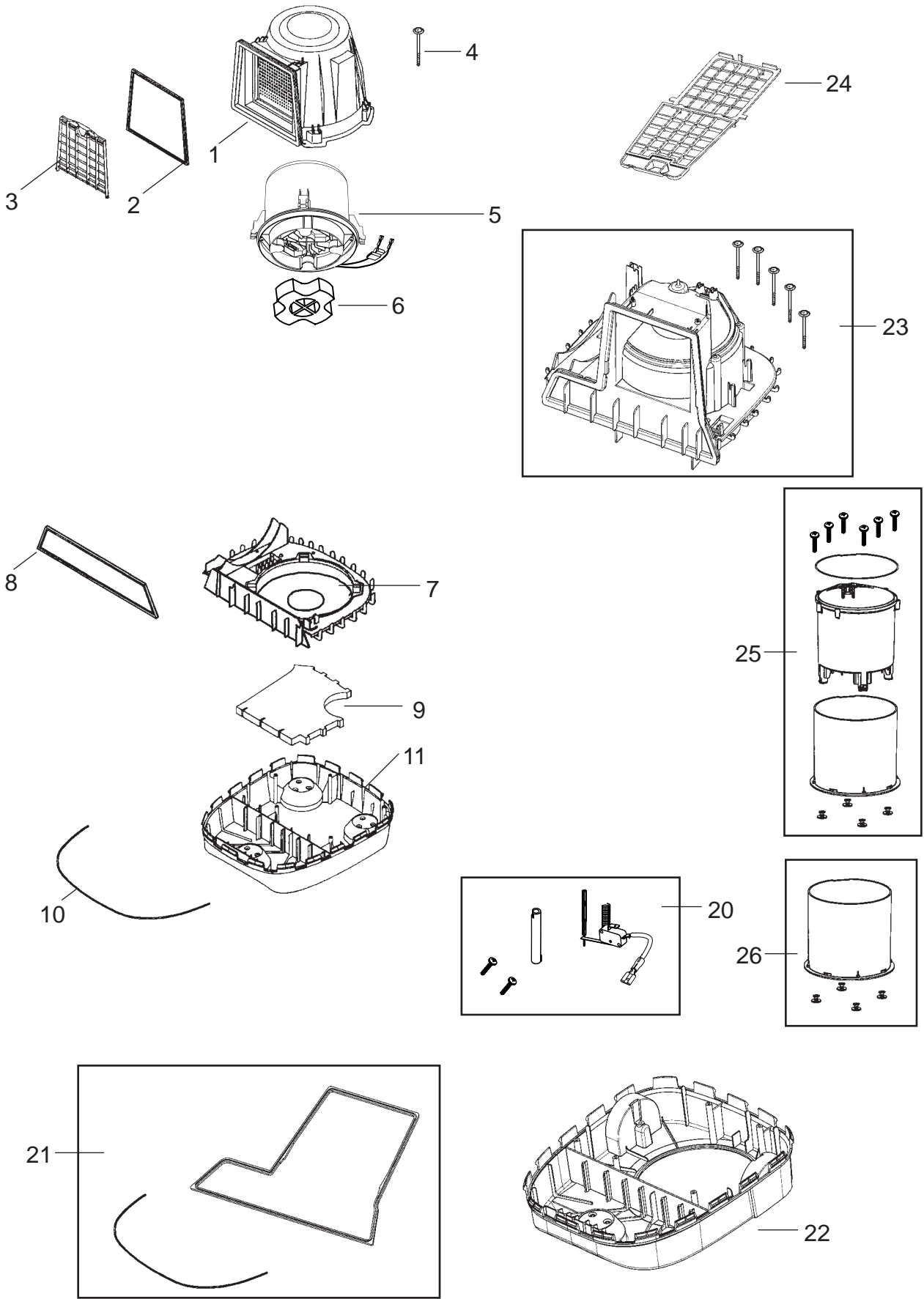


00-06	CONTAINER SPARE PARTS	BOOK A		
01-11	UPPER PARTS, GM 200/300/400 & KING 500 SERIES	A	0.6.3	13

Item	Ref.No.	Qty	Description	Note	EAN code 5715 492+
>> 4	22389200	10	Locking device		+018291
5	81849400	1	Buffer		
7	81980600	1	Guide for GM 200/300/400 without dust control		
11	819804xx	1	Dust compartment lid without dust control		
	81980400	1	Light grey, GM 200E		
	81980402	1	Dark grey, GM 300/305/310/315/320/400/405		
>>	81980404	1	Black, GM 5xx		+018314
12	21907600	1	Guideway for GM 200/300/400 with dust control		
21	818458xx	x	Dust compartment lid with dust control		
	81845802	1	Dark grey, GM 210/330/410/420/430		
	22301700	1	Black for GM "Time"/"Arnoldi"/"King"		+009213
32	22353800	1	Front hinge set		+011322
>> 33	22303100	1	Buffer GM time incl. locking device	Black	+009282
>> 34	22389400	1	Inner parts for dustlid with dust control		+018284
>> 35	22389500	1	Inner parts for dustlid without dust control		+018307
>> 36	22389300	1	Inlet for dustlid with indicator GMxxx & KING		+018277

Note

>> means: New or changed ref. no.

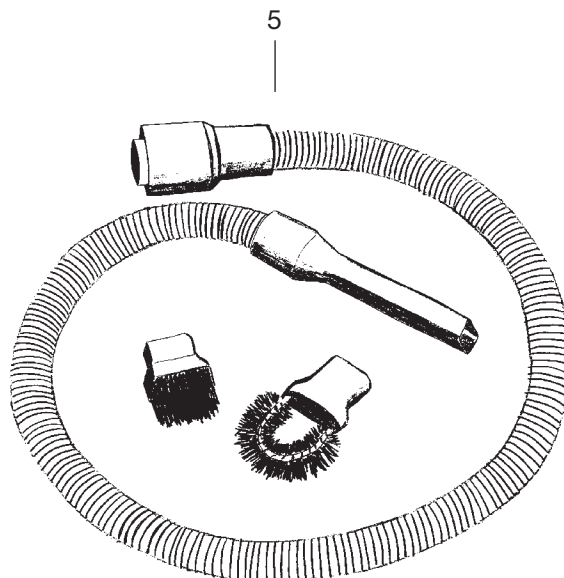
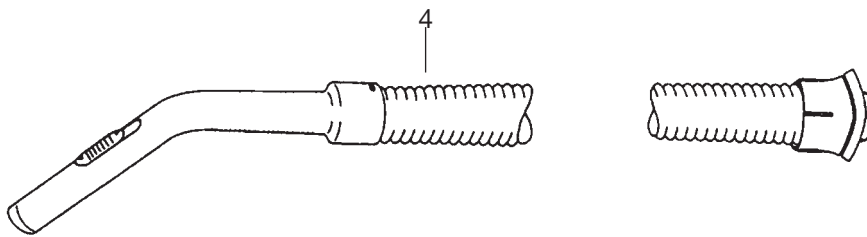
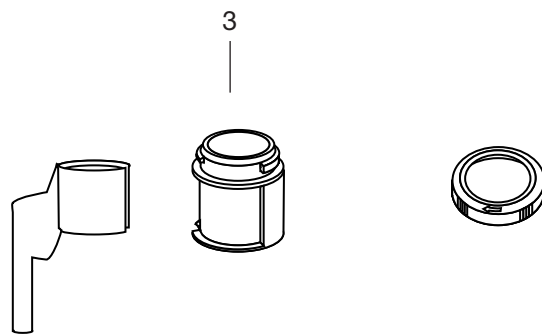
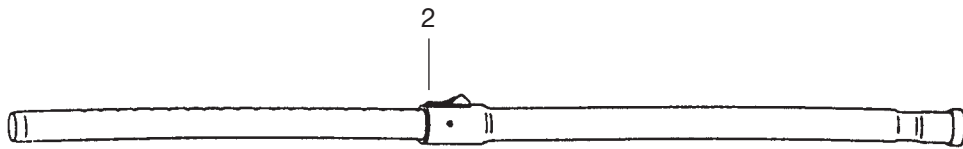


00-06	CONTAINER SPARE PARTS	BOOK A		
01-11	LOWER PARTS, GM 200/300/400 & KING 500 SERIES	A	0.6.3	15

Item	Ref.No.	Qty	Description	Note	EAN code 5715 492+
1	81847201	1	Casing for new motor kit; all models		
2	81842000	1	Motor casing gasket		
3	81844000	1	Filter grid		
4	81841600	1	Screw for motor casting		
5		1	New motor replacement kit 1200W see catalog page A-0.6.3-3		
6	82186600	1	Sound absorber, upper		
7	81841402	1	Motor plate for GM 400 Series with parking		
8	81841800	1	Gasket		
9	82148400	1	Sound absorber, lower		
10	81848100	1	Packing cord		+021888
11	818475xx	x	Container bottom		
	81847500	1	Blue, GM 200, 1000W		
	81847501	1	Light grey, GM 200E, 1000W		
	81847507	1	Dark grey, GM 400 Series		
	22303300	1	Black, GM "Time"/"Arnoldi"		+ 009299
GM 400 Series & KING 500 Series with parking on/off switch					
20	22354400	1	Parking on / off set		+ 011384
Only KING 500 Series					
21	22354300	1	Gasket set		+ 011377
22	22354200	1	Container bottom		+ 011360
23	22354100	1	Suction house		+ 011353
24	22354500	1	Filter frame		+ 011391
25	22354000	1	Motor tube set		+ 011346
>> 26	22400000	1	Transparency intermediate		+021772

Note

>> means: New or changed ref. no.

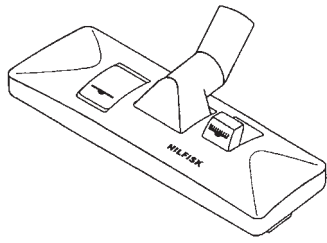


00-06	ACCESSORIES ø32 MM	BOOK A		
01-09	HOSES AND TUBES GM 200/300/400 & KING 500 SERIES	A	0.6.3	17

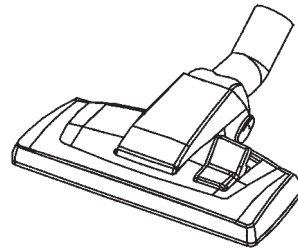
Item	Ref.No.	Qty	Description	Note	EAN code 5715 492+
1	11112402	1	Tube, with groove for parking clip Length 560 mm	Steel	+005437
	22351700	1	Tube, with groove for parking clip Length 560 mm, with Black plastic brush	Steel	+011049
2	81906500	1	Tube, telescopic Length, min 652 mm Length, max 1070 mm	Steel	+493962
	22351800	1	Tube, telescopic Length, min 652 mm Length, max 1070 mm with Black plastic brush	Steel	+011056
3	22147600	1	Parking service kit with assembly instructions	Plastic Colour: Grey	+005642
	22147601	1	For GM "Time"/"Arnoldi"/"King"	Colour: Black	+009336
4	12041500	1	Hose plastic with coupling and curved tube. Length 2000 mm	Plastic	+002580
	22301500	1	Hose plastic with coupling and curved tube. Length 2000 mm for GM "Time"/"Arnold"/"King"	Colour: Black	+009206
>> 5	22388200	1	High-tech cleaning tool		+016235

Note

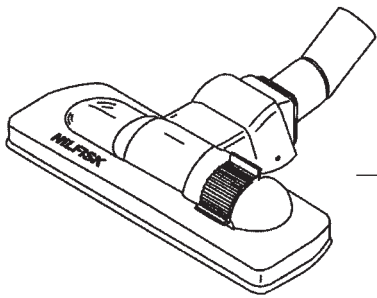
>> means: New or changed ref. no.



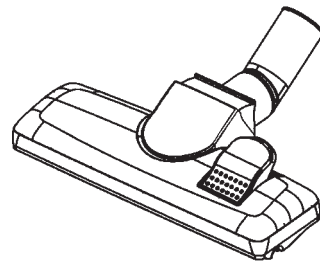
1



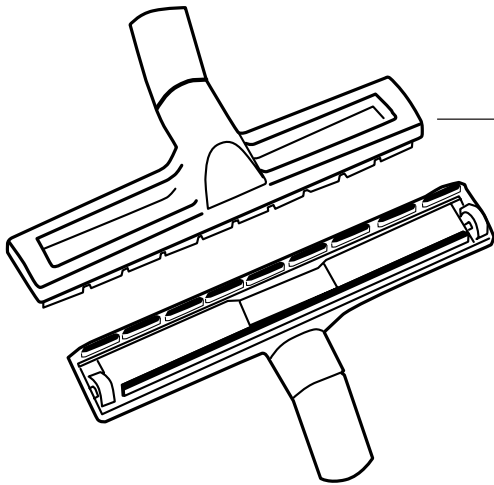
6



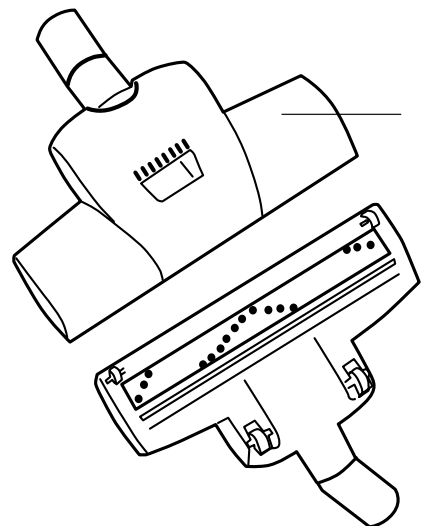
3



7



5



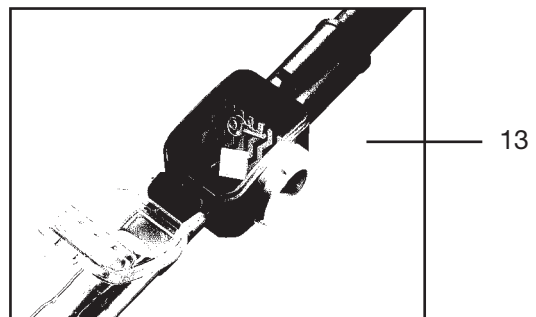
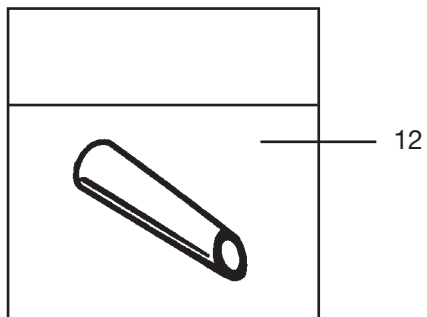
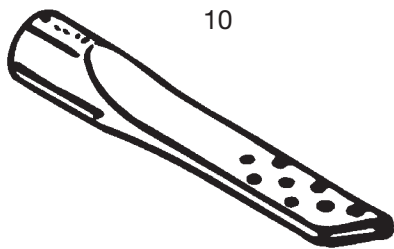
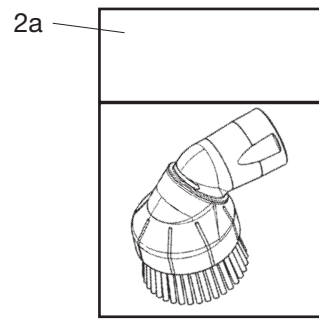
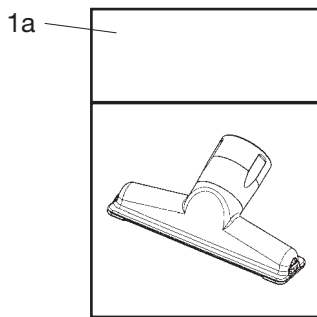
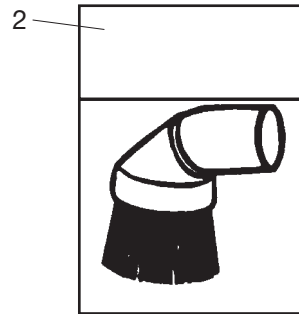
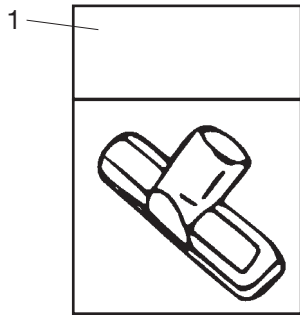
11

00-06	ACCESSORIES ø32 MM	BOOK A		
02-03	NOZZLES, GM 200/300/400 & KING 500 SERIES	A	0.6.3	19

Item	Ref.No.	Qty	Description	Note	EAN code 5715 492
1	11980300	1	Roller combi dry nozzle 2732	Plastic	
	22304100	1	GM "Time" No text printed	Colour: Black	+ 009190
3	22303900	1	GM "Arnoldi" printed Arnoldi	Colour: Black	+ 00 9183
5	22303500	1	GM "Time"/Arnoldi	Colour: Black	+ 01 9305
	22351400	1	King 500 series	Colour: Black	+ 01 0998
6	22359800	1	Floor nozzle, combi de luxe	Colour: Black	+ 01 0868
>>	22412900	1	Floor nozzle, combi de luxe	Colour: Black	+ 01 8321
7	22359900	1	Floor nozzle, combi	Colour: Black	+ 01 0875
11	22360000	1	Turbo nozzle, wheeled, dry 2832	Body: Plastic ABS Colour: Black	+ 01 0882

Note

>> means: New or changed ref. no.



00-06	ACCESSORIES ø32 MM	BOOK A		
02-02	NOZZLES, GM 200/300/400 & KING 500 SERIES	A	0.6.3	21

Item	Ref.No.	Qty	Description	Note	EAN code 5715 492+
1	32043700	1	Upholstery nozzles with insertion width 130 mm	Plastic	+002658
	22302300	1	GM "Time"/Arnoldi	Colour: Grey Colour: Black	+009244
1a	22351900	1	King 500 series	Colour: Black	+011063
2	11276901	1	Round brush, turnable with black natural bristles, width 70 mm	Plastic	+005451
	22302500	1	GM "Time"/Arnoldi	Colour: Grey Colour: Black	+009251
2a	22352000	1	King 500 series	Colour: Black	+011070
	22103600	1	Round brush, turnable with blue PBT bristles, width 70 mm	Plastic	+002726
10	81530400	1	Crevice nozzle, width 245 mm	Plastic	+604320
11	11530500	1	Brush for crevice nozzle	Plastic/steel	
12	81140900	1	Flexible nozzle, width 150 mm	Plastic Colour: Grey	+001026
	22302100	1	Flexible nozzle, width 150 mm GM "Time"/Arnoldi	Plastic Colour: Black	+009237
>> 13	22424800	1	Pelican		+025114

Note

>> means: New or changed ref. no.