**DESCRIPTION****PLAN**

Motors, internal PCB and cord

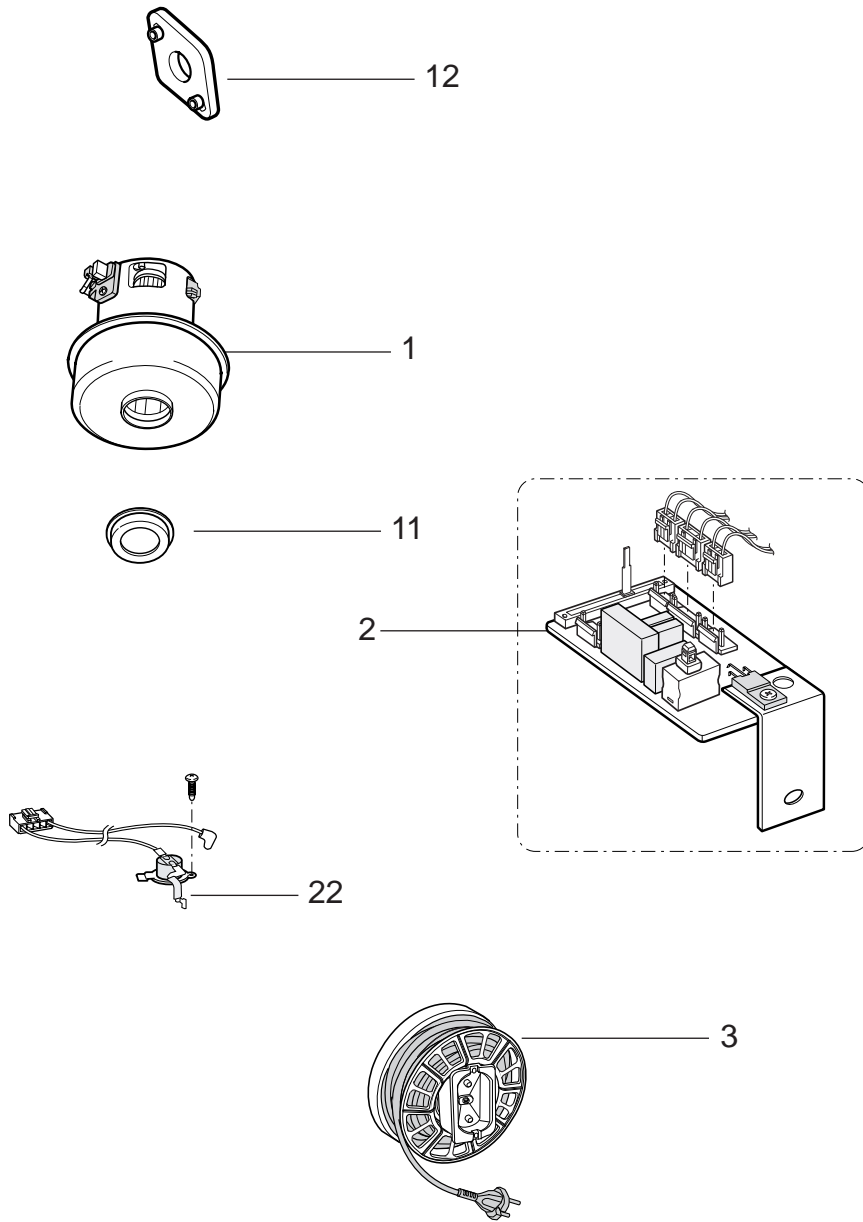
A - 4.3.3 - 2

Container parts

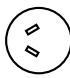
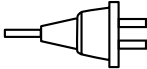
A - 4.3.3 - 4

Nozzles, tubes, hoses and dust bag

A - 4.3.3 - 6



Cable reel

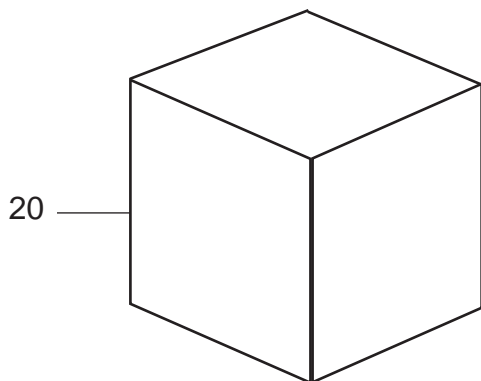
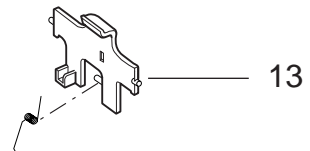
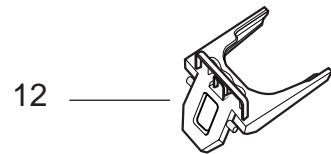
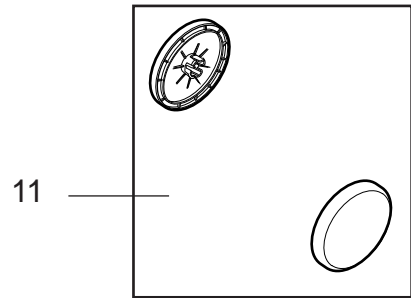
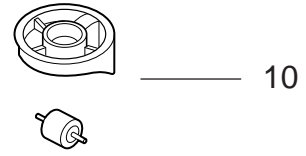
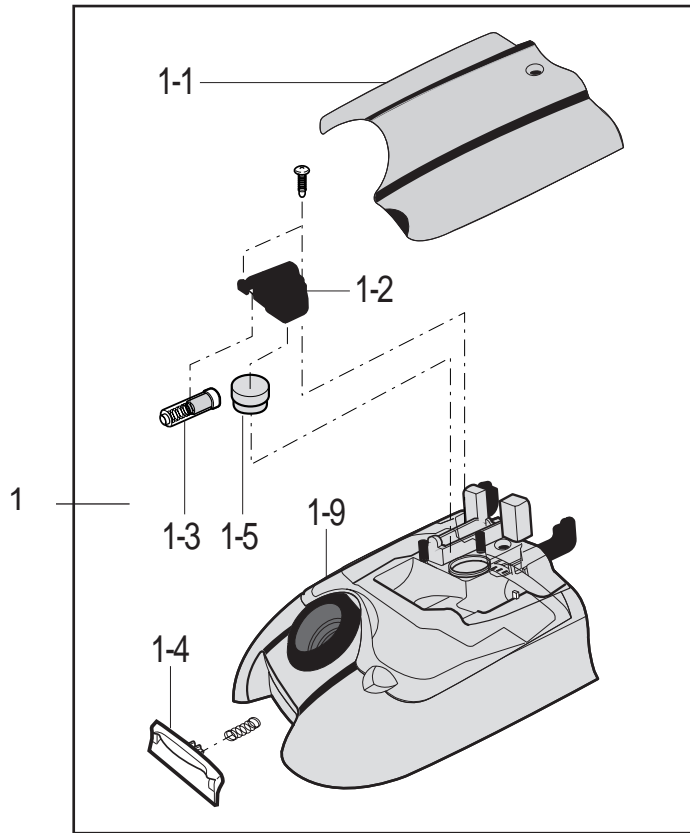
	Voltage	Plug type	
AUS/NZ	250		

02-02	GM 100 SPRINT PLUS	BOOK A		
	MOTOR AND CORD TYPES	A	4.3.3	3

Item	Ref. No.	Qty.	Description	Note	EAN code 5715492+
1	82423400		Motor/fan unit 240 V / 50 Hz		+024957
2	82423800		Variable regulation PCB 220-240 V, 50-60 Hz		+024995
3	82326500		Cord reel for Australia, New Zealand		+010202
11	82368900		Gasket for motor		+012251
12	82369000		Mounting plate for motor		+012268
22	82424600		Internal wires		+025077

Note

>> means: New or changed ref. nos.

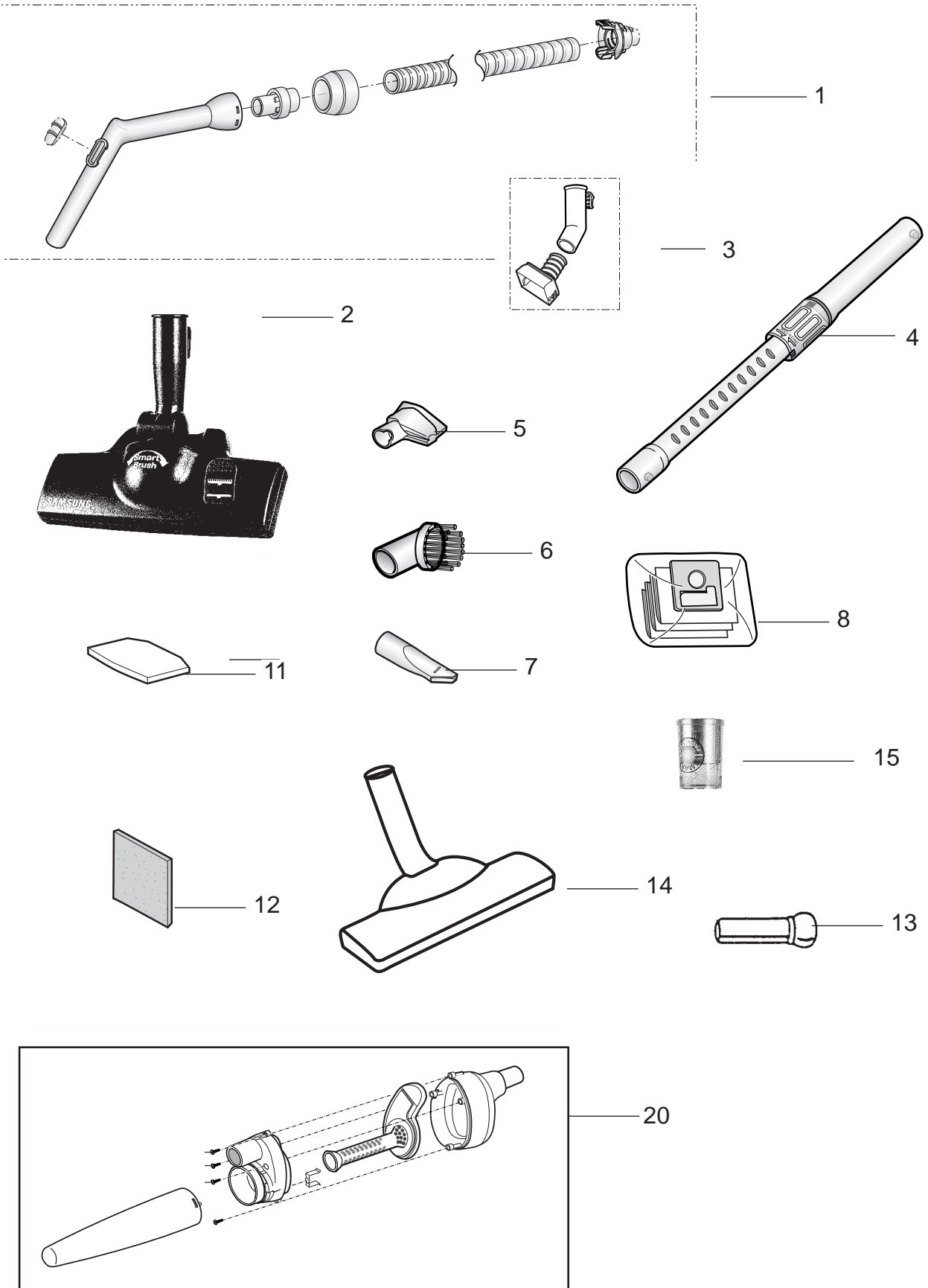


02-08	GM 100 SPRINT PLUS	BOOK A		
04-11	CONTAINER PARTS	A	4.3.3	5

Pos.	Part No.	Qty.	Desc.1	Desc.2	EAN 5715492+
1	82423500	1	DUST COMPARTMENT CPL.	GM 100 PLUS	+024964
1	82423600	1	DUST COMPARTMENT CPL.	GM 100 PLUS	+024971
10	82424200	1	FRONT WHEEL, GM 100 PLUS		+025039
11	82424300	1	BACK WHEEL 2 PCS,	GM 100 PLUS	+025046
12	82368200	1	BAG HOLDER FOR GM100		+012176
13	82368300	1	BAG HOLDER FOR GM100		+012183
>>	20 82424800	1	SALES BOX F/SPRINT PLUS		+030644
>>	20 82424801	1	SALESBOX F/SPRINT PLUS KA		+030651
>>	20 82424802	1	SALESBOX SPRINT PLUS PET		+030666

Note

>> means: New or changed ref. nos.



02-08	GM 100 SPRINT PLUS	BOOK A		
04-11	NOZZLES, TUBES, HOSES AND DUST BAGS	A	4.3.3	7

Pos.	Part No.	Qty.	Desc.1	Desc.2	EAN 5715492+
1	82326700	1	HOSE COMPLETE		+010226
2	20705000	1	NOZZLE, COMBI	FOR SMART PROTECTOR	+026173
3	20705100	1	NECK FOR COMBI NOZZLE	FOR SMART PROTECTOR	+026180
4	82325400	1	TUBE TELESCOPIC 995 MM	FOR GM 50/100	+010097
5	82423900	1	UPHOLSTERY NOZZLE,	GM 100 PLUS	+025008
6	82424000	1	NOZZLE BRUSH, GM 100 PLUS		+025015
7	82424100	1	NOZZLE CREVICE,GM100 PLUS		+025022
8	82327800	1	DUST BAG 5 PCS	ASTRAL/SPRINT	+010349
11	82424500	1	MICRO FILTER 2 PCS,GM 100		+025060
12	82424400	1	FRONT FILTER 2 PCS,GM 100		+025053
13	82328500	1	ADAPTOR		+010363
14	82423700	1	PET BRUSH, GM 100 PLUS		+024988
15	20705200	1	SMART PROTECTOR		+026197
>> 20	82329500	1	Cyclone unit - D:35 mm		+032556

Note

>> means: New or changed ref. nos.