

# GD 910

---

Model:  
GD 910



Part List English

01-07-2012

# Nilfisk

[www.nilfisk.com](http://www.nilfisk.com)

# Table of Contents

GD 910

<b>Cover and container parts</b>	<b>3</b>
<b>Filters, fan units and cordset</b>	<b>5</b>
<b>Nozzles, hoses and tubes 32 mm</b>	<b>7</b>

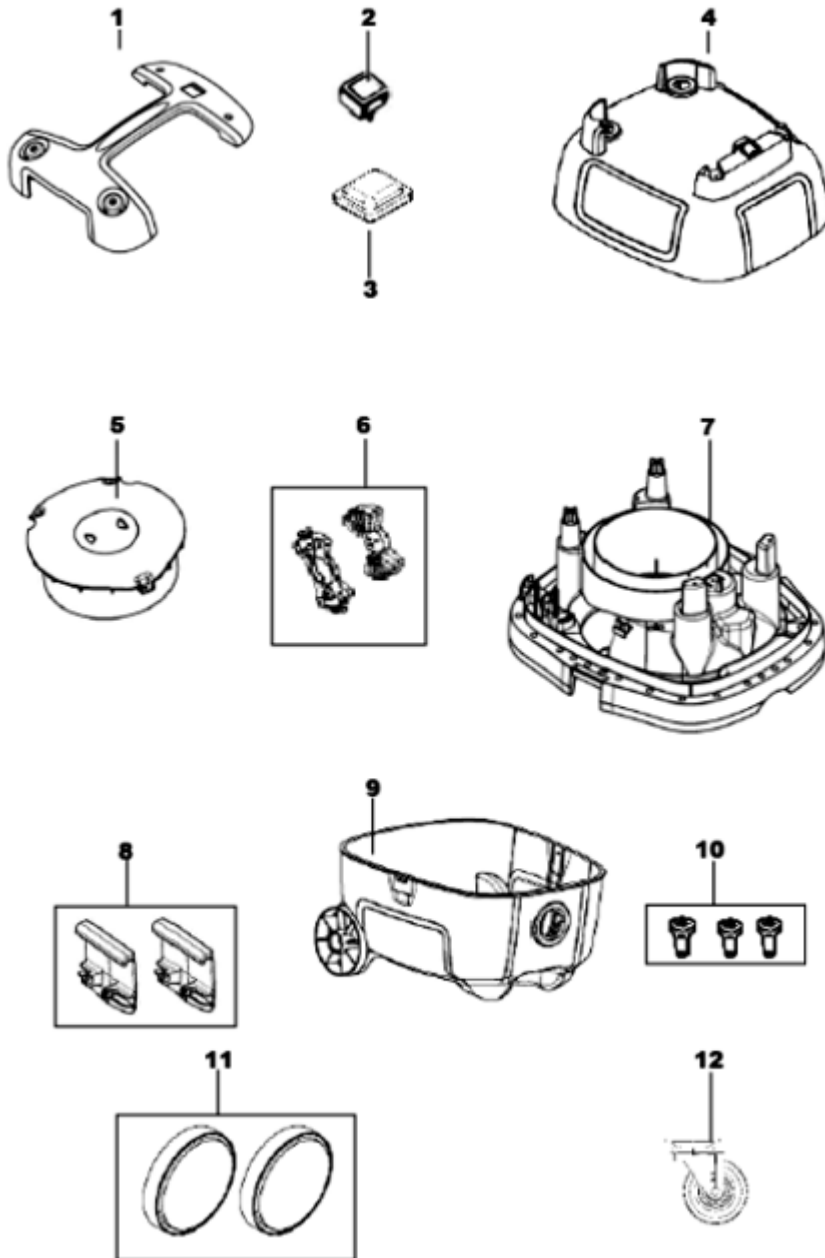
# Cover and container parts

GD 910

01-07-2012

Part List ID B6313

3



# Cover and container parts

GD 910

01-07-2012

Part List ID  
B6313

4

Pos	Part no.	Qty	Description
0	147 0665 000	1	PACKAGE CPL 1214 X 815
1	147 0654 500	1	HANDLE GD 910
2	140 5496 510	1	SWITCH UL KIT INSULTATION COVER INCLUDE
3	140 5497 000	1	EL-SWITCH COVER
4	147 0655 500	1	TOP COVER GD910
4	147 0655 510	1	TOP COVER GD910 UL
5	147 0659 500	1	NOISE TRAP GD910
5	147 0659 510	1	NOISE TRAP GD910 UL
6	147 0660 500	1	MOTOR SUSPENSION KIT GD910
7	147 0656 500	1	CHASSIS GD910
7	147 0656 510	1	CHASSIS GD910 UL
8	147 0677 500	2	LATCHES KIT GD910
9	147 0657 500	1	CONTAINER CPL GD910
10	140 9214 500	11	SCREW KIT PT K 40X14 FZB
11	140 8458 500	2	WHEEL KIT 2 REAR WHEELS
12	140 8445 500	1	LINK WHEEL KIT 2 LINK WHEEL AND 4 SCREWS

# Filters, fan units and cordset

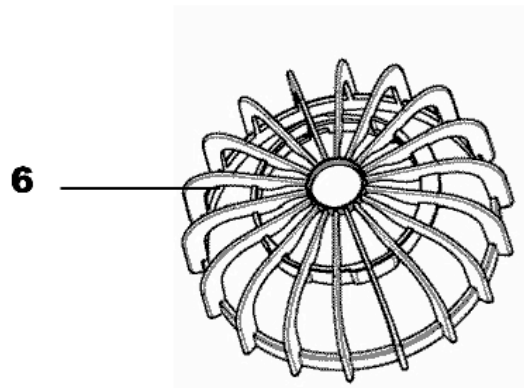
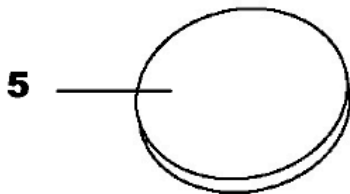
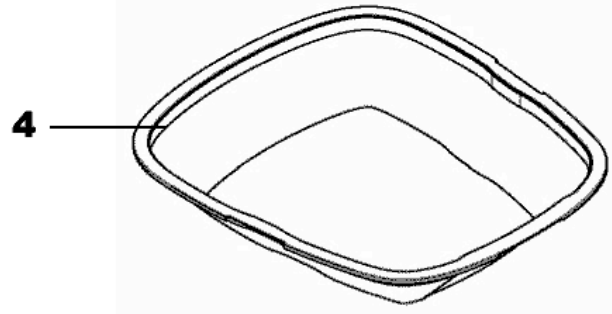
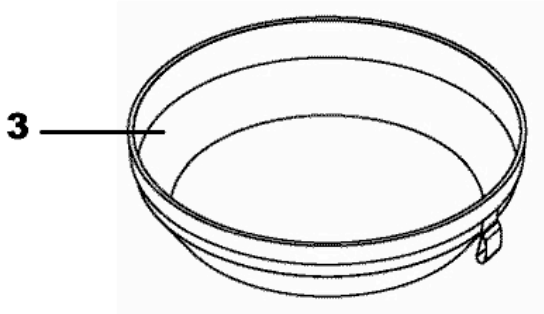
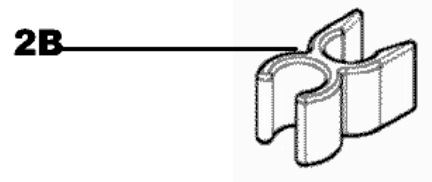
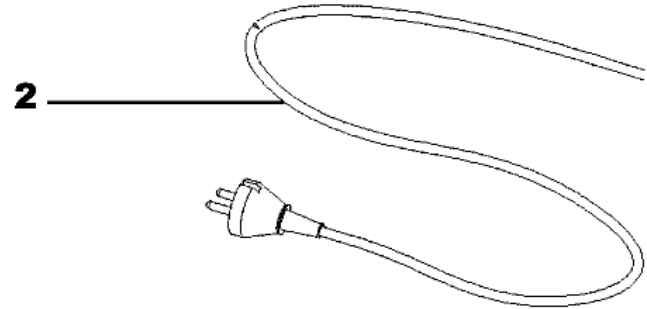
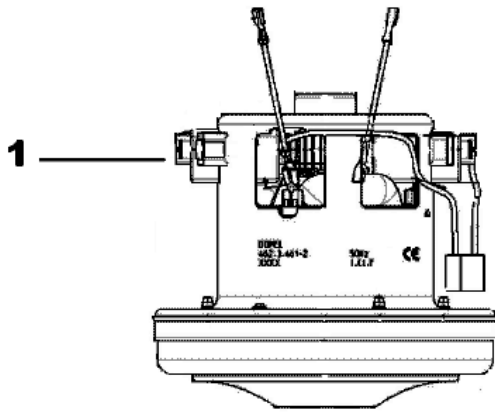
GD 910

01-07-2012

Part List ID

B6315

5



# Filters, fan units and cordset

GD 910

01-07-2012

Part List ID B6315

6

Pos	Part no.	Qty	Description
1	107402675	1	FAN UNIT 1200W TCO KIT
1	147 1167 500	1	FAN UNIT 120V NILFISK GD9 10
1	147 1167 500	1	FAN UNIT 120V NILFISK GD9 10
1	147 1168 500	1	FAN UNIT 100V NILFISK GD910/SALTIX 3
2	12003801	1	CORD SET EU CPL. L=15M
2	12222501	1	CORD SET EU L 10M
2	12222503	1	CORD KIT UK 10M
2	12222506	1	CORD SET AU/NZ L 10M
2	140 6702 500	1	CORD SET JP 15.5M
2	147 0504 500	1	CORD SET CN 10 5M
2	147 0716 510	1	CORD SET US/TW 10.5M
3	147 0663 500	1	SACK FILTER INNER GD910
4	147 0678 500	1	SACK FILTER OUTER GD910
5	147 0670 500	3	FILTER MOTOR KIT GD910
6	147 0669 500	1	BASKET SACK FILTER GD910
2B	147 0808 500	1	CORD CLIP KIT
2B	147 0808 510	1	CORD CLIP KIT.JP

# Nozzles, hoses and tubes 32 mm

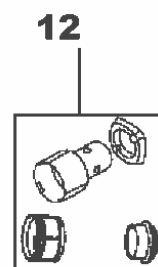
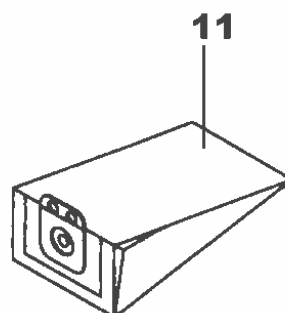
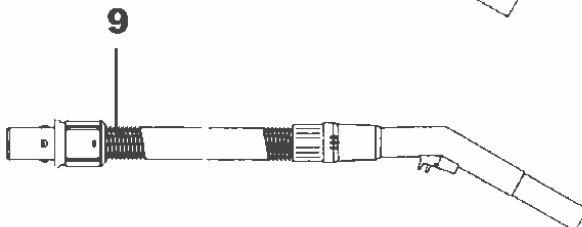
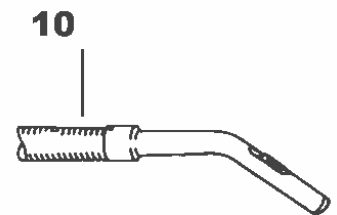
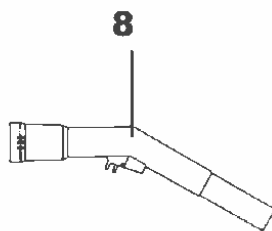
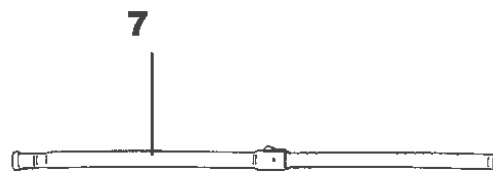
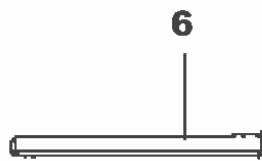
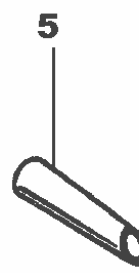
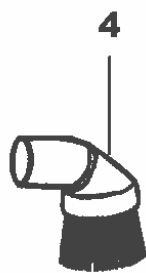
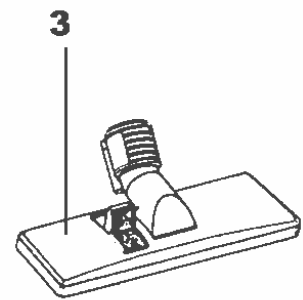
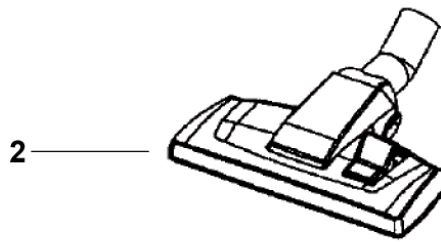
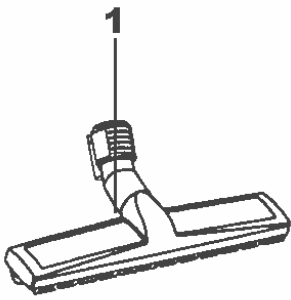
GD 910

01-07-2012

Part List ID

B6317

7



# Nozzles, hoses and tubes 32 mm

GD 910

01-07-2012

Part List ID

B6317

8

Pos	Part no.	Qty	Description
1	140 6700 570	1	NOZZLE MULTI SURFACE 32MM
2	140 8492 510	1	ROLLER COMBI NOZZLE
3	12019401	1	COMBI DRY NOZZLE
4	11276901	1	ROUND BRUSH 32MM PLASTIC
5	22302100	1	FLEXIBLE NOZZLE 150MM BLACK X 32MM
5	81140900	1	CONE 32MM PLASTIC
6	011 6431 500	1	TUBE 32MM X 500MM LONG
6	140 8246 000	1	STEEL TUBE CHROME L=500
6	140 8246 040	1	STEEL TUBE 32MM X 500MM
7	81906500	1	TELESCOPIC TUBE 32MM MAX LENGTH 113CM
8	140 7584 500	1	HANDLE CPL. HOSE HANDLE FOR 32 MM HOS
9	147 0765 510	1	HOSE COMPLETE BLACK 2M
10	12018001	1	HOSE 38/32MM 2M PLASTIC WITH PLASTIC CURVED TUBE
11	140 8618 000	10	DUST BAG 10L 10 PCS GD 2000 SERIES
11	22251800	1	DUSTBAG REUSABLE GD 1000
12	22366100	1	GD COUPLING FOR HOSE
4B	140 8244 500	1	BRUSH NOZZLE KIT