

# FORCE E and FORCE US

---

Model:

FORCE E 5000

FORCE E 5050 X-

TRA

FORCE E 5350 X-

TRA

FORCE E 5450 X-

TRA

FORCE E 5450 X-

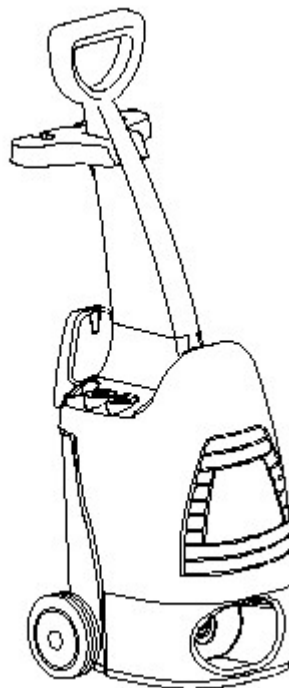
TRA

FORCE E 5500 X-

TRA

FORCE E 5650 X-

TRA



Part List US-English

22-07-2008

**Nilfisk**  
**ALTO**

*Why Compromise*

[www.nilfisk-alto.com](http://www.nilfisk-alto.com)

# Table of Contents

FORCE E and FORCE US

<b>Chassis</b>	<b>3</b>
<b>Chassis X-TRA</b>	<b>5</b>
<b>Chassis US</b>	<b>7</b>
<b>Motor</b>	<b>9</b>
<b>Motor X-TRA</b>	<b>12</b>
<b>Motor US</b>	<b>15</b>
<b>Default accessories</b>	<b>17</b>
<b>Default accessories US</b>	<b>19</b>

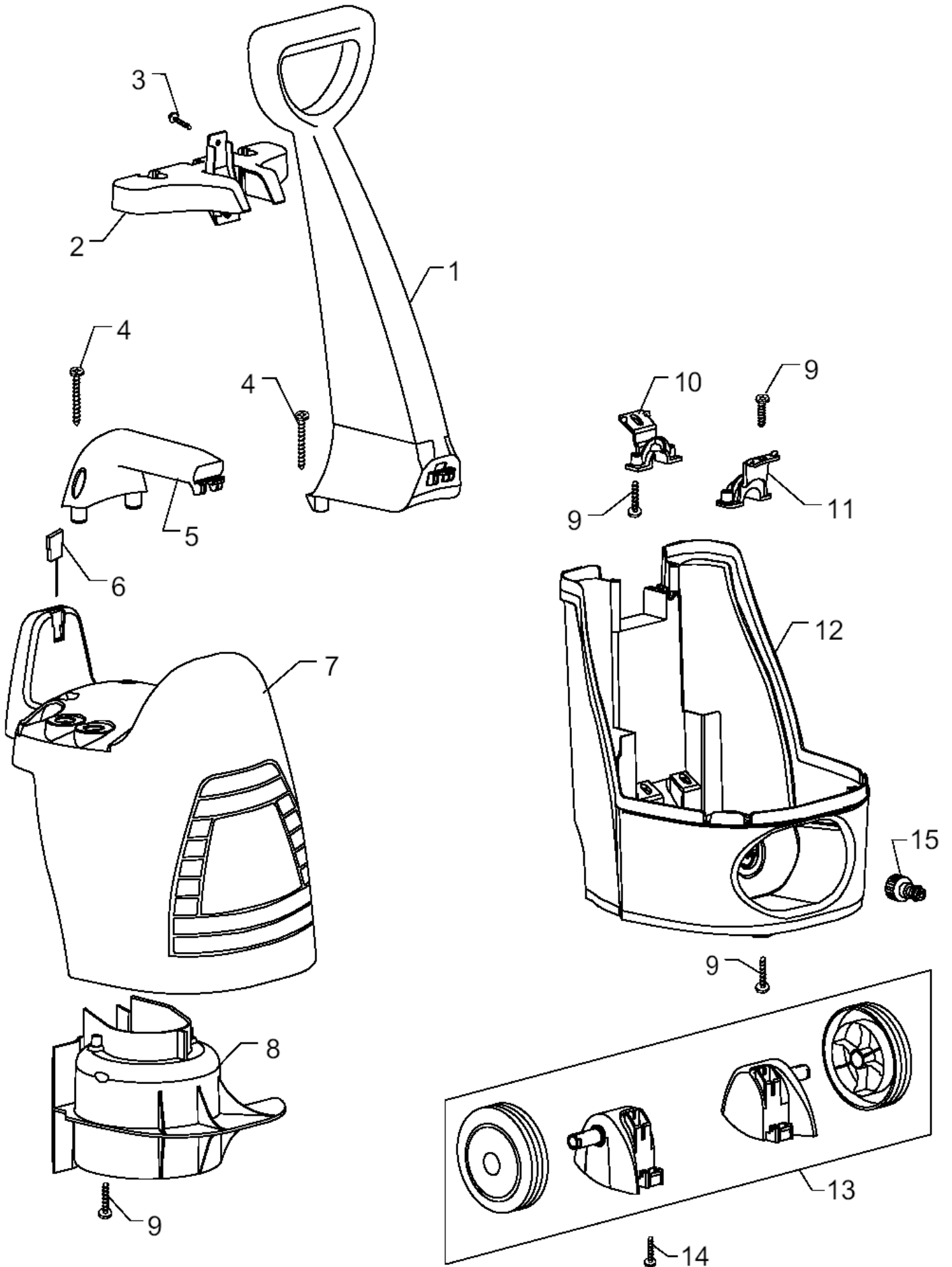
# Chassis

FORCE E and FORCE US

22-07-2008

Part List ID  
FORE03

3



# Chassis

FORCE E and FORCE US

22-07-2008

Part List ID  
FORE03

4

Pos	Part no.	Qty	Description	EAN
4	1814655	2	SCREW	5701715273
5	6482166	1	CARRYING HANDLE	5701715268
6	6520844	1	CLEANING TOOL BLACK	5701715215
7	6482155	1	CABINET TOP	5701715268
8	6482200	1	MOTOR COVER	5701715268
9	1814641	8	SCREW	5701715268
10	6482185	1	FITTING FOR INLET SOCKET	5701715268
11	6482180	1	FITTING FOR OUTLET SOCKET	5701715268
12	6482160	1	BOTTOM CABINET	5701715268
15	1402809	1	QUICK COUPLING MALE	5701715008
20	2105850	1	PACKING FORCE	5701715268

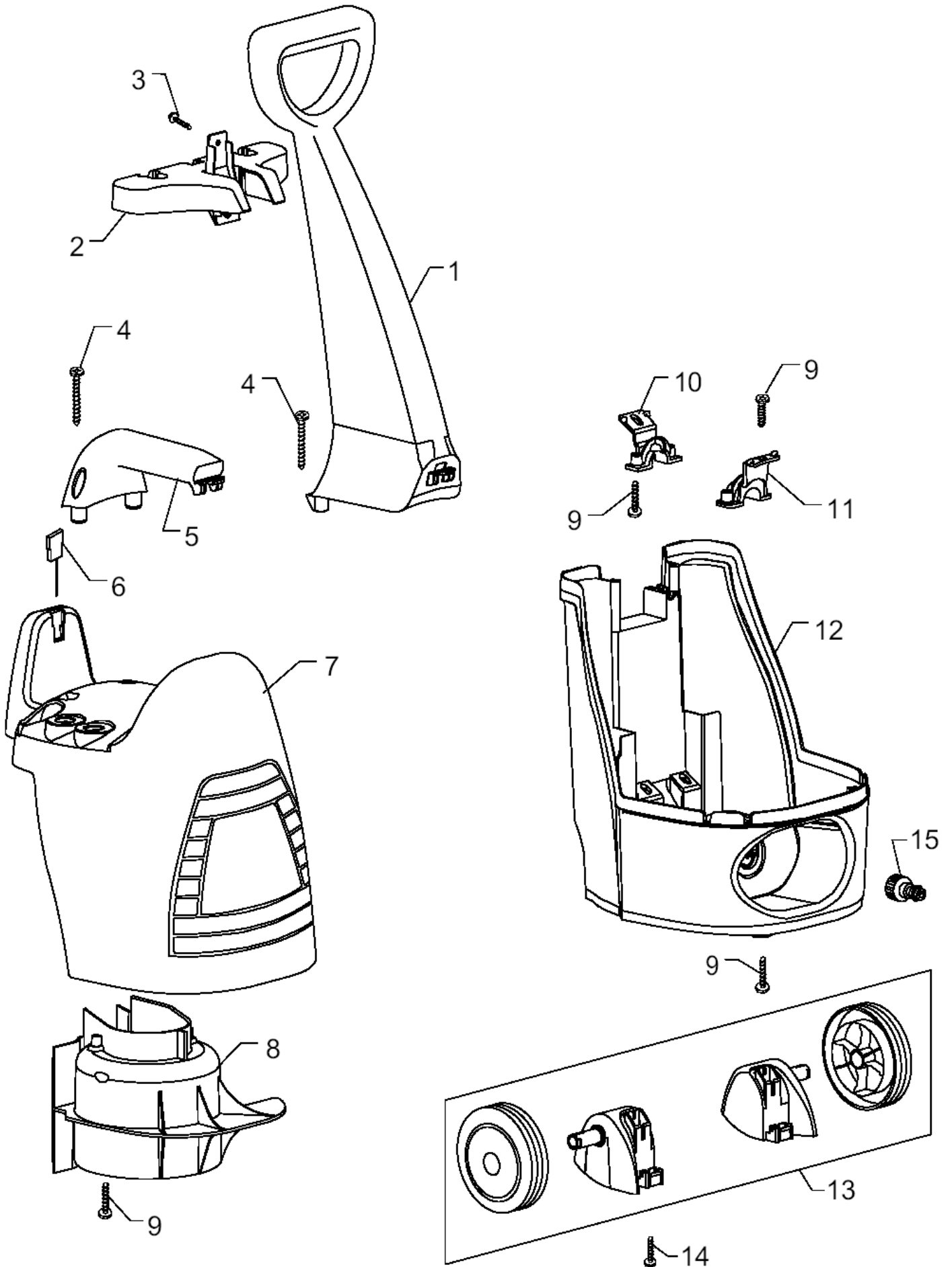
# Chassis X-TRA

FORCE E and FORCE US

22-07-2008

Part List ID  
FORE04

5



# Chassis X-TRA

FORCE E and FORCE US

22-07-2008

Part List ID  
FORE04

6

Pos	Part no.	Qty	Description	EAN
1	6482171	1	DRIVING HANDLE	5701715268
2	6482213	1	HOOK	5701715268
3	1805340	2	THREADED FORMED PLATS. SCREW	5701715029
4	1814655	2	SCREW	5701715273
5	6482166	1	CARRYING HANDLE	5701715268
6	6520844	1	CLEANING TOOL BLACK	5701715215
7	6482155	1	CABINET TOP	5701715268
8	6482200	1	MOTOR COVER	5701715268
9	1814641	8	SCREW	5701715268
10	6482185	1	FITTING FOR INLET SOCKET	5701715268
11	6482180	1	FITTING FOR OUTLET SOCKET	5701715268
12	6482160	1	BOTTOM CABINET	5701715268
13	6482027	1	WHEEL, COMPL.	5701715294
14	1814276	2	SCREW, KB50X30, WN1412	5701715031
15	1402809	1	QUICK COUPLING MALE	5701715008
20	2105850	1	PACKING FORCE	5701715268
20	2105851	1	PACKING FORCE X-TRA	5701715268

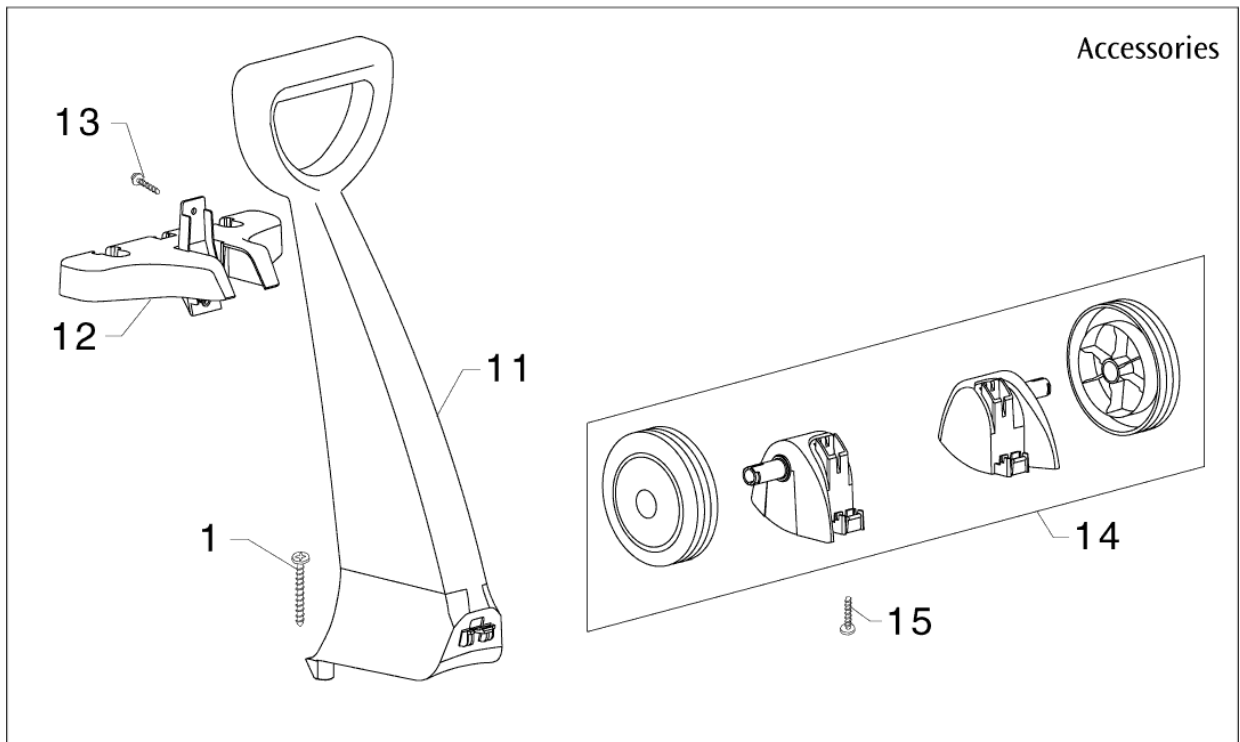
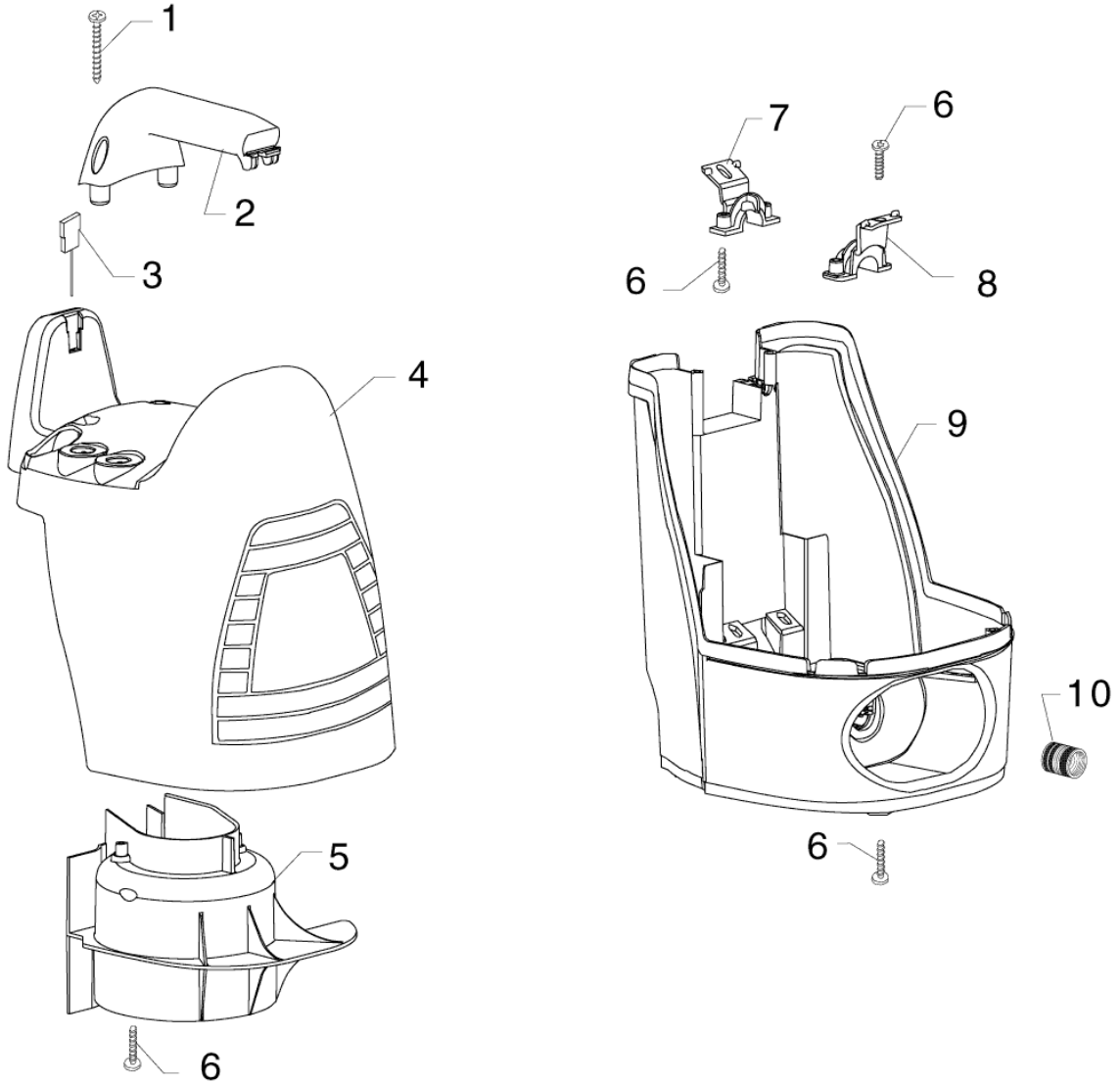
# Chassis US

FORCE E and FORCE US

22-07-2008

Part List ID FORE06

7



# Chassis US

FORCE E and FORCE US

22-07-2008

Part List ID  
FORE06

8

Pos	Part no.	Qty	Description	EAN
-	2105850	1	PACKING FORCE	5701715268
-	6411145	1	FORCE TROLLEY Accessory	5701715257
1	1814655	2	SCREW	5701715273
2	6482166	1	CARRYING HANDLE	5701715268
3	6520844	1	CLEANING TOOL BLACK	5701715215
4	6482155	1	CABINET TOP	5701715268
5	6482200	1	MOTOR COVER	5701715268
6	1814641	8	SCREW	5701715268
7	6482185	1	FITTING FOR INLET SOCKET	5701715268
8	6482180	1	FITTING FOR OUTLET SOCKET	5701715268
9	6482160	1	BOTTOM CABINET	5701715268
10	6481063	1	SCREW COUPLING	5701715337
11	6482171	1	DRIVING HANDLE	5701715268
12	6482213	1	HOOK	5701715268
13	1805340	1	THREADED FORMED PLATS. SCREW	5701715029
14	6482027	1	WHEEL, COMPL.	5701715294
15	1814276	1	SCREW, KB50X30, WN1412	5701715031



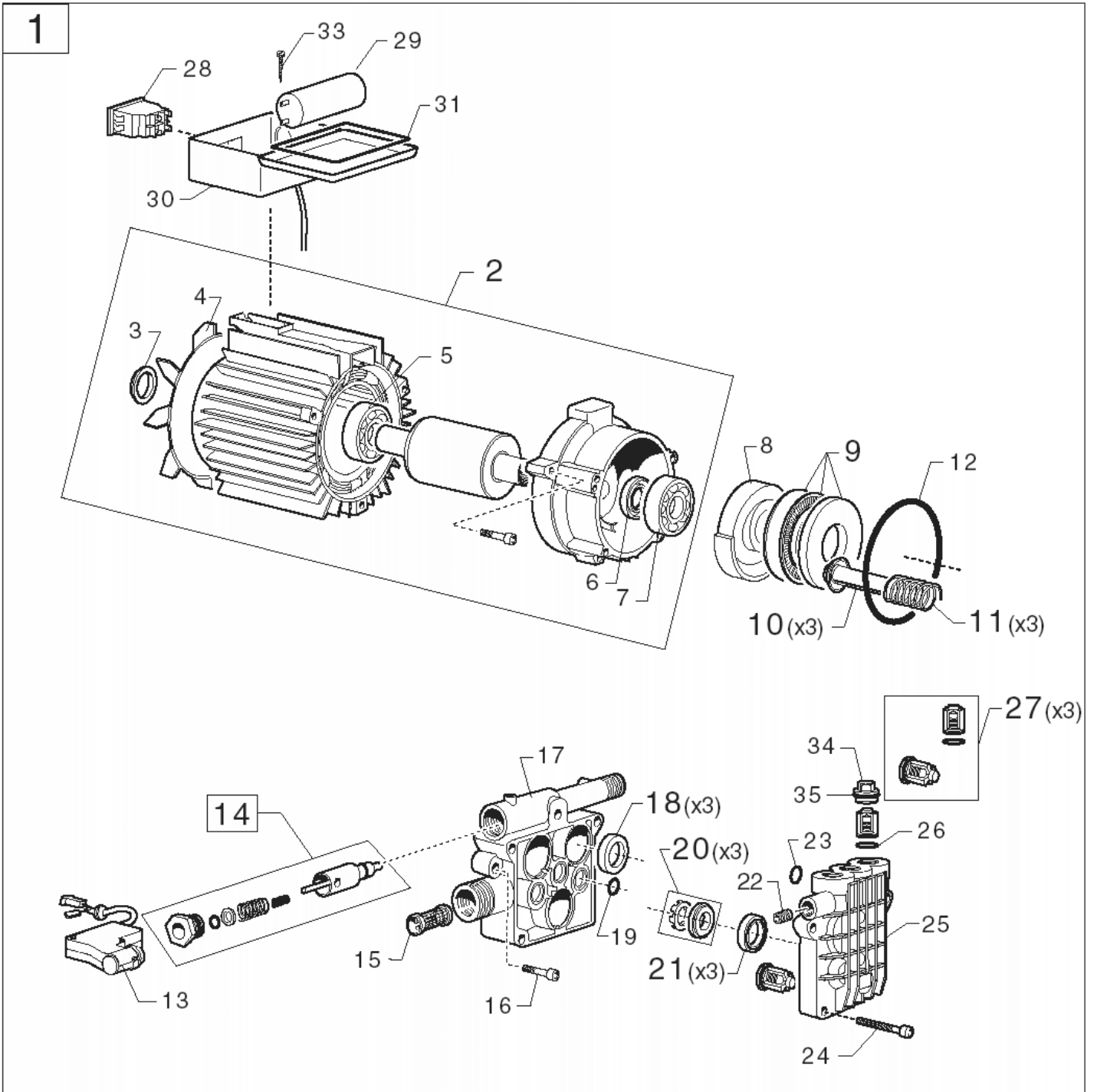
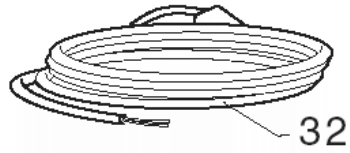
# Motor

FORCE E and FORCE US

22-07-2008

Part List ID  
FORE07

9



# Motor

FORCE E and FORCE US

22-07-2008

Part List ID

FORE07

10

Pos	Part no.	Qty	Description	EAN
1	6481850	1	MOTORPUMP UNIT 230V 110BA	5701715271
1	6481851	1	MOTOR PUMP UNIT 230V 120B	5701715271
1	6481852	1	MOTOR/PUMP UNIT 110BAR AU	5701715277
2	106481051	1	MOTOR 230V 50HZ, 120BAR	5701715323
2	106481880	1	MOTOR COMPL. 230/50	5701715334
3	106481865	1	LOCK WASHER FOR FAN	5701715331
4	106481052	1	FAN WHEEL 120BAR	5701715359
4	106481864	1	FAN WHEEL	FROM JAN 03 5701715331
5	61486	1	GROOVE BALL BEARING 6203	4005337614
6	106481867	1	OIL SEAL RING	5701715334
7	106481866	1	ANTI-FRICTION BEARING	5701715334
8	106481868	1	WOBBLE PAD 230/50 AND 220	FROM JAN. 03 5701715359
9	106481871	1	BEARING KIT	5701715414
10	106481872	1	PISTON KIT (X3) 12MM	FROM JAN.03
10	106481876	1	PISTON KIT (X3) 14MM	TO DEC. 02 5701715352
11	106481875	1	SPRING FOR PISTON (X3)	5701715323
12	106481873	1	O-RING	5701715323
13	6481091	1	MICRO SWITCH S/S	5701715268
14	6481015	1	REP. KIT AUTOMATIC S/S VAL	120 bar 5701715268
14	6481093	1	REP. KIT AUTOMATIC S/S VAL	110 bar 5701715268
15	6481094	1	STRAINER	5701715268
16	1810092	4	SCREW M6X30	5701715030
17	106481888	1	CYLINDER BLOCK 12MM	FROM JAN.03 5701715334
17	6481860	1	CYLINDER BLOCK	DEC. 02 5701715278
18	106481877	1	ROTARY SHAFT SEAL	FROM JAN. 03 5701715323
18	6481089	1	REP. KIT OIL SEALS	DEC.02 5701715268
19	3003688	3	O-RING 11,11X1,78 NITRIL	5701715038
20	106481874	1	BACK-UP/BRASS RING D12 KI	FROM JAN. 03 5701715323
20	106486059	1	BACK RING D14 CUZN KIT 3	TO DEC.02 5701715396
21	106481887	1	REP KIT WATER SEALS 12MM	FROM JAN.03 5701715323
21	6481090	1	REP. KIT WATER SEALS	DEC.02 5701715268
22	1602333	2	PLUG G1/8	5701715024
23	3001799	1	O-RING 10,3 X 2,4 SMS	5701715038
24	1809862	4	SCREW M6X65	5701715030
25	106481861	1	CYLINDER HEAD	TO DEC.02 5701715316
25	106481889	1	CYLINDER HEAD 12MM	FROM JAN.03 5701715316
27	6481088	1	REP. KIT VALVES	5701715268
28	6481010	1	PUSHBUTTON SWITCH	5701715268
29	6481009	1	CAPACITOR 25MICRONF AUS	AUS 5701715337
29	6481011	1	CAPACITOR	5701715268
30	106481862	1	ELECTRIC HOUSING	5701715334
31	106481863	1	GASKET	5701715334
32	6481083	1	EL. CABLE WITH PLUG	EU 5701715268

# Motor

FORCE E and FORCE US

22-07-2008

Part List ID  
FORE07

11

Pos	Part no.	Qty	Description		EAN
32	6481084	1	EL. CABLE WITH PLUG GB	GB	5701715268
32	6481085	1	EL. CABLE WITH PLUG CH	CH	5701715268
32	6481086	1	EL. CABLE WITH PLUG AUS	AUS	5701715337
33	1803543	2	SCREW M4X10		5701715028
34	106481878	2	SCREWED SEALING PLUG		5701715323
35	3004221	3	O-RING 16X2 NITRIL 70 SHORE		5701715039

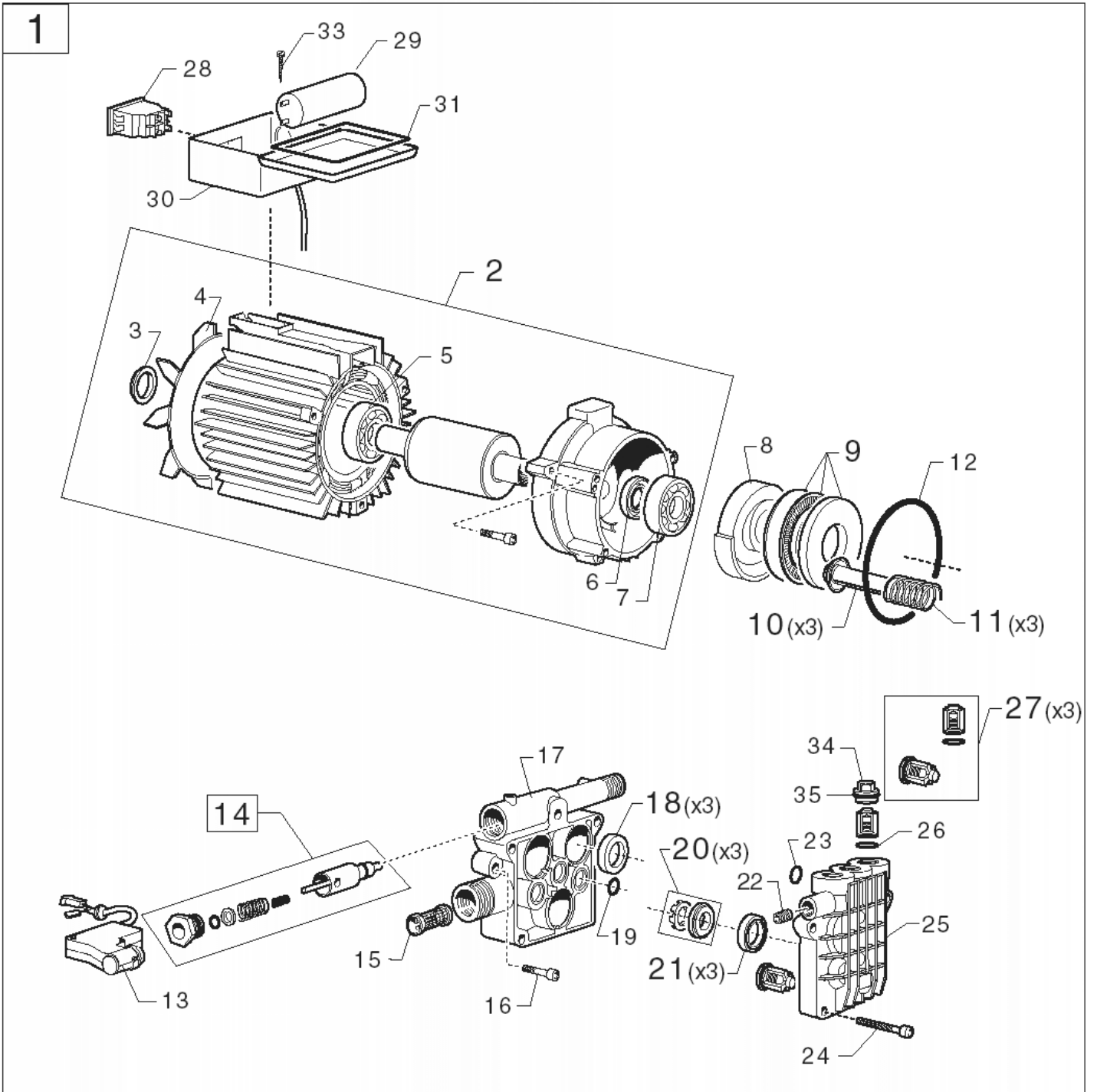
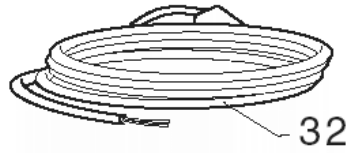
# Motor X-TRA

FORCE E and FORCE US

22-07-2008

Part List ID  
FORE08

12



# Motor X-TRA

FORCE E and FORCE US

22-07-2008

Part List ID  
FORE08

13

Pos	Part no.	Qty	Description	EAN
1	6481850	1	MOTORPUMP UNIT 230V 110BA	5701715271
1	6481851	1	MOTOR PUMP UNIT 230V 120B	5701715271
1	6481852	1	MOTOR/PUMP UNIT 110BAR AU	5701715277
2	106481051	1	MOTOR 230V 50HZ, 120BAR	5701715323
2	106481880	1	MOTOR COMPL. 230/50	5701715334
3	106481865	1	LOCK WASHER FOR FAN	5701715331
4	106481052	1	FAN WHEEL 120BAR	5701715359
4	106481864	1	FAN WHEEL	FROM JAN 03 5701715331
5	61486	1	GROOVE BALL BEARING 6203	4005337614
6	106481867	1	OIL SEAL RING	5701715334
7	106481866	1	ANTI-FRICTION BEARING	5701715334
8	106481868	1	WOBBLE PAD 230/50 AND 220	FROM JAN. 03 5701715359
9	106481871	1	BEARING KIT	5701715414
10	106481872	1	PISTON KIT (X3) 12MM	FROM JAN.03
10	106481876	1	PISTON KIT (X3) 14MM	TO DEC. 02 5701715352
11	106481875	1	SPRING FOR PISTON (X3)	5701715323
12	106481873	1	O-RING	5701715323
13	6481091	1	MICRO SWITCH S/S	5701715268
14	6481015	1	REP. KIT AUTOMATIC S/S VAL	120bar 5701715268
14	6481093	1	REP. KIT AUTOMATIC S/S VAL	110bar 5701715268
15	6481094	1	STRAINER	5701715268
16	1810092	4	SCREW M6X30	5701715030
17	106481888	1	CYLINDER BLOCK 12MM	FROM JAN.03 5701715334
17	6481860	1	CYLINDER BLOCK	DEC. 02 5701715278
18	106481877	1	ROTARY SHAFT SEAL	FROM JAN. 03 5701715323
18	6481089	1	REP. KIT OIL SEALS	DEC.02 5701715268
19	3003688	3	O-RING 11,11X1,78 NITRIL	5701715038
20	106481874	1	BACK-UP/BRASS RING D12 KI	FROM JAN. 03 5701715323
20	106486059	1	BACK RING D14 CUZN KIT 3	TO DEC.02 5701715396
21	106481887	1	REP KIT WATER SEALS 12MM	FROM JAN.03 5701715323
21	6481090	1	REP. KIT WATER SEALS	DEC.02 5701715268
22	1602333	2	PLUG G1/8	5701715024
23	3001799	1	O-RING 10,3 X 2,4 SMS	5701715038
24	1809862	4	SCREW M6X65	5701715030
25	106481861	1	CYLINDER HEAD	TO DEC.02 5701715316
25	106481889	1	CYLINDER HEAD 12MM	FROM JAN.03 5701715316
27	6481088	1	REP. KIT VALVES	5701715268
28	6481010	1	PUSHBUTTON SWITCH	5701715268
29	6481009	1	CAPACITOR 25MICRONF AUS	AUS 5701715337
29	6481011	1	CAPACITOR	5701715268
30	106481862	1	ELECTRIC HOUSING	5701715334
31	106481863	1	GASKET	5701715334
32	6481083	1	EL. CABLE WITH PLUG	EU 5701715268

# Motor X-TRA

FORCE E and FORCE US

22-07-2008

Part List ID  
FORE08

14

Pos	Part no.	Qty	Description		EAN
32	6481084	1	EL. CABLE WITH PLUG GB	GB	5701715268
32	6481085	1	EL. CABLE WITH PLUG CH	CH	5701715268
32	6481086	1	EL. CABLE WITH PLUG AUS	AUS	5701715337
33	1803543	2	SCREW M4X10		5701715028
34	106481878	2	SCREWED SEALING PLUG		5701715323
35	3004221	3	O-RING 16X2 NITRIL 70 SHORE		5701715039

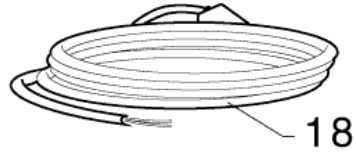
# Motor US

FORCE E and FORCE US

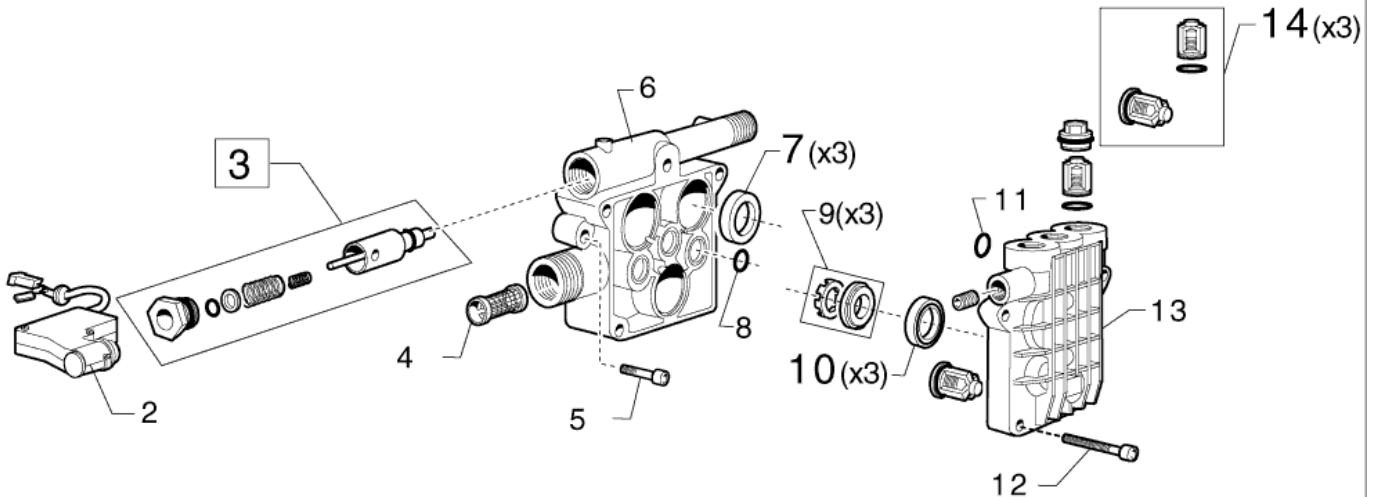
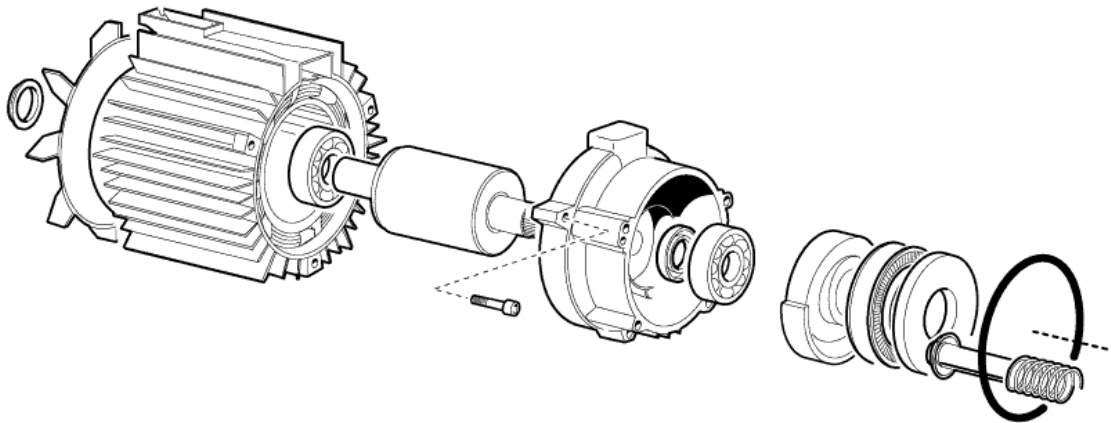
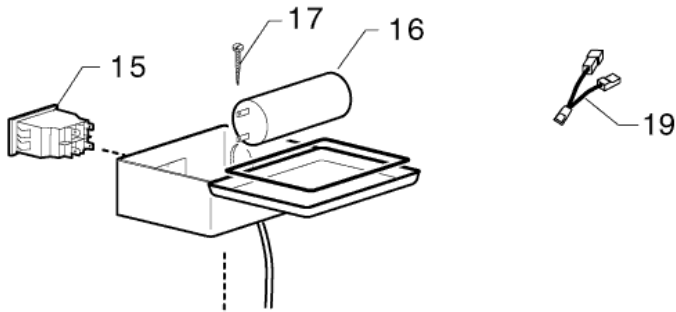
22-07-2008

Part List ID  
FORE09

15



1



# Motor US

FORCE E and FORCE US

22-07-2008

Part List ID  
FORE09

16

Pos	Part no.	Qty	Description	EAN
1	106481053	1	MOTOR PUMP UNIT, COMPL.	5701715352
2	6481091	1	MICRO SWITCH S/S	5701715268
3	106481054	1	REP. KIT AUTOMATIC S/S VAL	5701715334
4	6481094	1	STRAINER	5701715268
5	1810092	4	SCREW M6X30	5701715030
6	106481888	1	CYLINDER BLOCK 12MM	5701715334
7	106481877	1	ROTARY SHAFT SEAL	5701715323
8	3003688	3	O-RING 11,11X1,78 NITRIL	5701715038
9	106481874	1	BACK-UP/BRASS RING D12 KI	5701715323
10	106481887	1	REP KIT WATER SEALS 12MM	5701715323
11	3001799	1	O-RING 10,3 X 2,4 SMS	5701715038
12	1809862	4	SCREW M6X65	5701715030
13	106481889	1	CYLINDER HEAD 12MM	5701715316
14	6481088	1	REP. KIT VALVES	5701715268
15	6481010	1	PUSHBUTTON SWITCH	5701715268
16	106481055	1	CAPACITOR	5701715359
17	1803543	2	SCREW M4X10	5701715028
18	106481056	1	EL.CABLE WITH PLUG US	5701715359
19	106481064	1	THERMO PROTECTOR, (USA)	5701715412



# Default accessories

FORCE E and FORCE US

22-07-2008

Part List ID FORE10

17

No Drawing For Part List

# Default accessories

FORCE E and FORCE US

22-07-2008

Part List ID  
FORE10

18

Pos	Part no.	Qty	Description		EAN
1	6411150	1	PATIO CLEANER	P models	5701715253
1	6411760	1	C&C TORNADO PR E-110	110bar	5701715342
1	6411764	1	C TORNADO PR "4" E-110	120bar	5701715343
1	6481961	1	SPRAY HANDLE D-150 W. HOSE 6M		5701715268

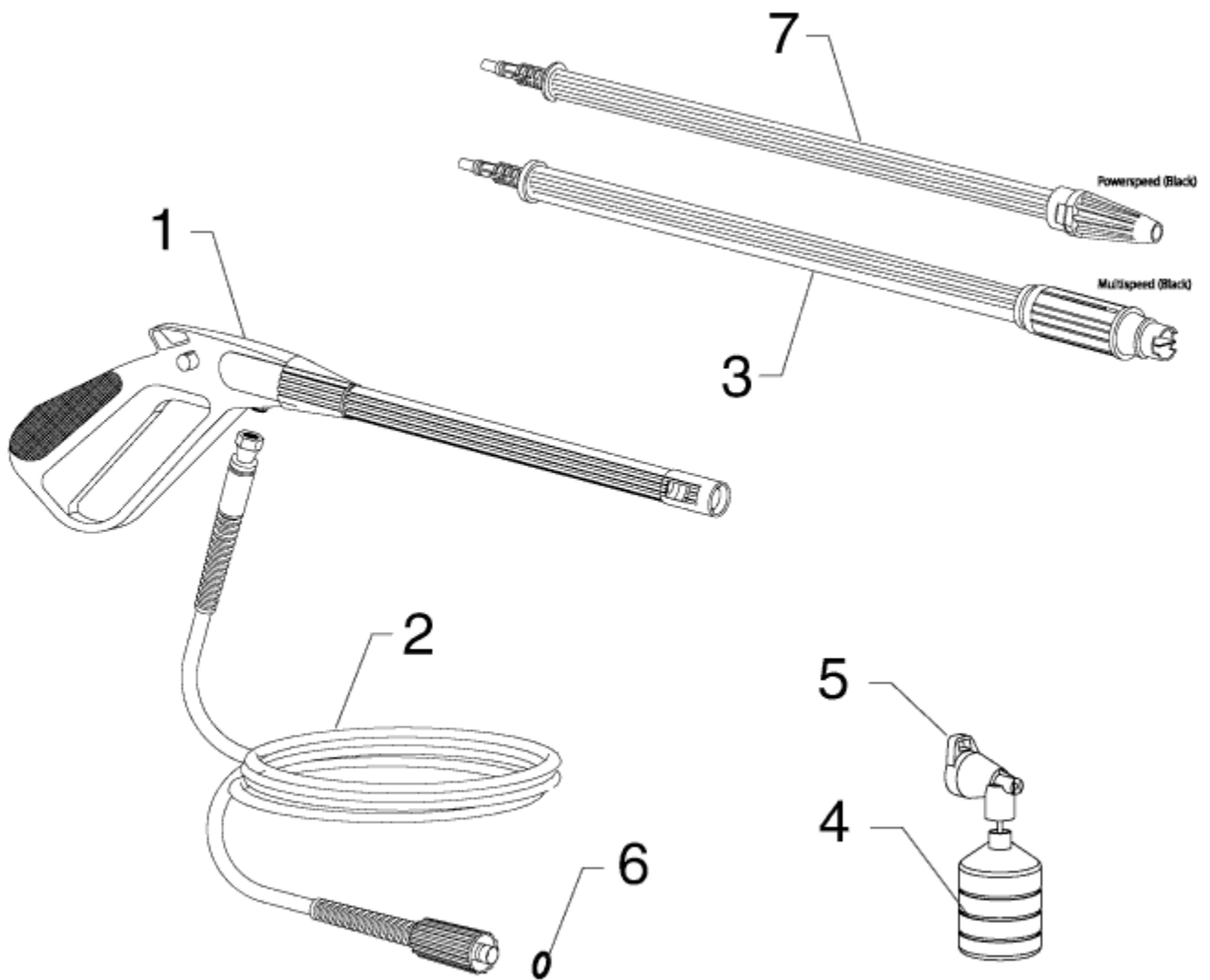
# Default accessories US

FORCE E and FORCE US

22-07-2008

Part List ID FORE11

19



# Default accessories US

FORCE E and FORCE US

22-07-2008

Part List ID  
FORE11

20

Pos	Part no.	Qty	Description	EAN
1	106481057	1	SPRAY HANDLE, COMPL.	5701715334
2	106481058	1	HOSE	5701715334
3	106481059	1	MULTISPEED SPRAY LANCE	5701715334
4	106411754	1	MIXER BOTTLE	5701715323
5	106411755	1	FOAM SPRAYER ACTIVE	5701715322
6	3001211	1	O-RING 9.6X2.4 NITRIL 70SH	5701715037
7	106481062	1	POWERSPEED LANCE	5701715334