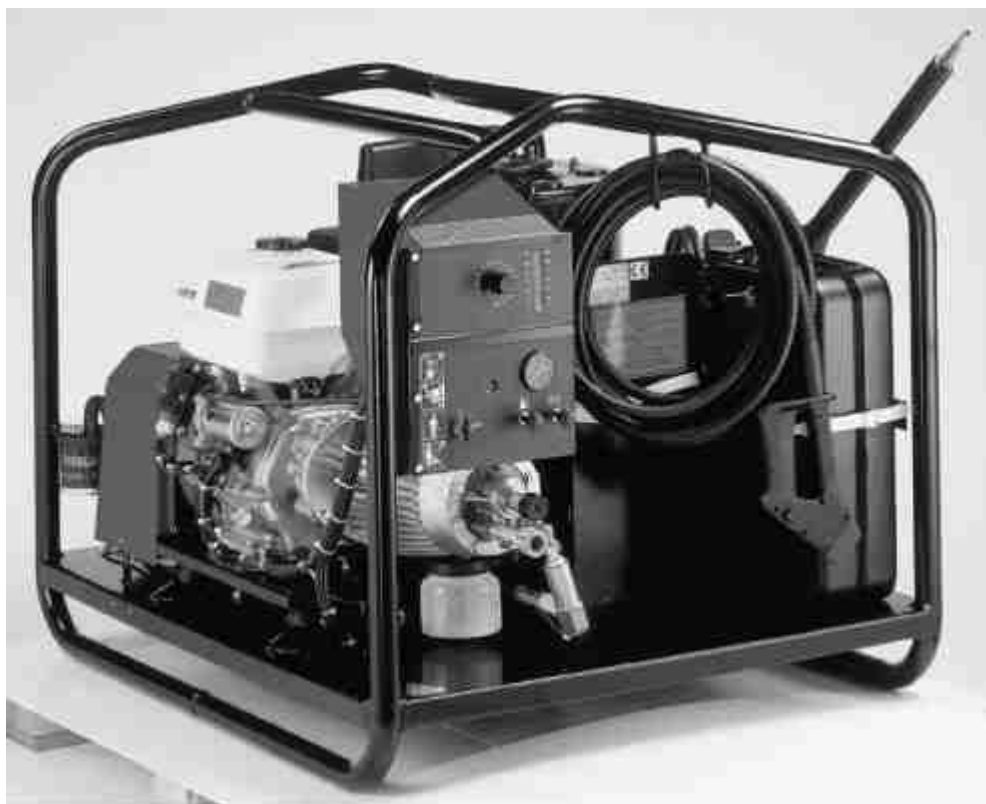


# CONTRACTOR MASTER

---

Model:  
CONTRACTOR MASTER  
CONTRACTOR STANDARD



Part List US-English

23-03-2011

# Table of Contents

## CONTRACTOR MASTER

<b>Overview</b>	<b>3</b>
<b>Motor pump (a)</b>	<b>7</b>
<b>Motor pump (b)</b>	<b>9</b>
<b>Motor pump (c)</b>	<b>11</b>
<b>Fan and oil pump</b>	<b>13</b>
<b>Flow switch, (outlet)</b>	<b>15</b>
<b>Flow control (boiler)</b>	<b>17</b>
<b>Outlet for coil, elbow, complete</b>	<b>19</b>
<b>Outlet for coil, elbow. comp. AUS</b>	<b>21</b>
<b>Outlet for coil, elbow, comp. NO, SE</b>	<b>23</b>
<b>Boiler</b>	<b>25</b>
<b>Air distributor</b>	<b>27</b>
<b>EI-box</b>	<b>29</b>
<b>Default accessories</b>	<b>31</b>

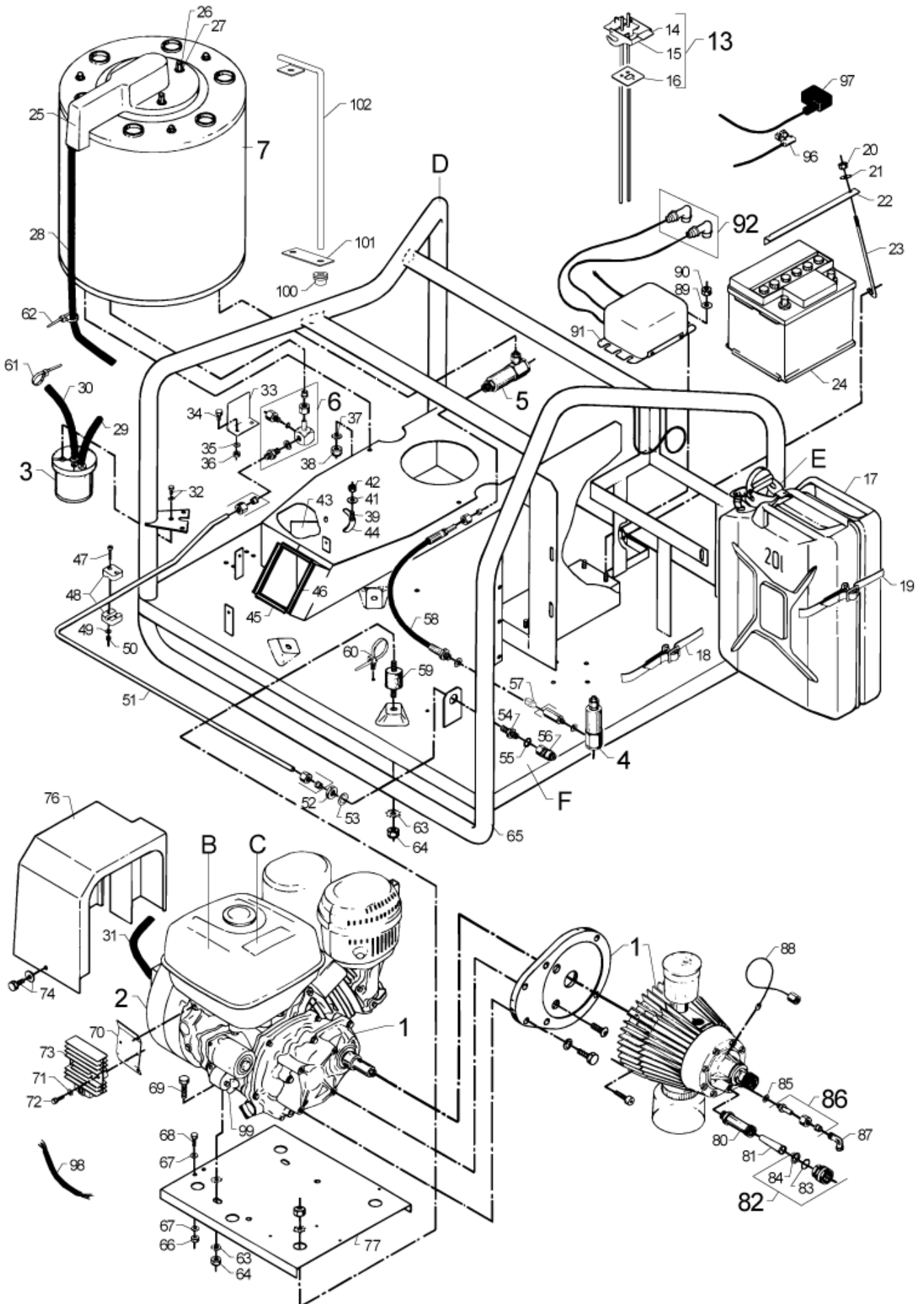
# Overview

## CONTRACTOR MASTER

23-03-2011

Part List ID  
CONTRACTORM02

3



# Overview

## CONTRACTOR MASTER

23-03-2011

Part List ID  
CONTRACTORM02

4

Pos	Part no.	Qty	Description	Boiler	GB	EAN
-	1804160	2	SCREW HEX CAP M4X8			5701715029
-	1813807	1	WASHER 6.4/18.0X1.6 A ISO7090 VA			5701715031
-	6228074	1	FITTING F. CARBURETTOR			5701715085
-	6228203	1	FITTING F. CARBURETTOR			5701715086
-	6228746	1	FITTING F. MOTOR			5701715086
-	6228750	1	BUSHING F. CARBURETTOR			5701715086
1		1	USE LINK			
2	6228453	1	FAN COMPLETE			5701715086
3	6200466	1	FUEL FILTER COMP.			5701715080
4	6220555	1	FLOW CONTROL OUTLET			5701715084
5	6228551	1	FLOW SWITCH COMPL.			5701715008
6		1	USE LINK			
7		1	USE LINK	Boiler		
B	6169010	1	WARNINGSIGN			5701715076
C	4208492	1	WARNINGSIGN F. GAS SUPPLY			5701715045
D	101117934	1	WARNING LABEL HOT			4005337176
E	4209193	1	LABEL FOR OIL FILLING			5701715260
F	4205423	1	WARNING SIGN		GB	5701715045
13	6228071	1	COVER FOR FUEL CONTAINER COMP			5701715085
14	6228206	1	FUEL TANK COVER			5701715255
15	6228095	1	CLAMP			5701715260
16	6228086	1	GASKET			5701715085
17	2012029	1	CONTAINER 20L			5701715009
17	2012243	1	CONTAINER FUEL 20L			4005337184
18	1802594	1	STRAP 18 X 2 X 1150	181211250		5701715028
19	1813278	1	STRAP F. CONTAINER	18121510		5701715030
20	1804285	2	LOCK NUT M5			5701715029
21	1804152	2	WASHER M5			5701715029
22	6164934	1	ANGLE HINGE			5701715076
23	6228744	2	CROOK F. BATTERY HOLDER			5701715086
24	3804523	1	BATTERY 12V			5701715007
25	6228253	1	BOILER TOP SECTION			5701715086
26	6200310	3	NUT			5701715079
27	1800440	6	WASHER (1101320,1103440)			5701715026
28	6228501	1	OIL PIPE COMPL.			5701715086
29	107318160	1	OIL/PETROL HOSE 3 METERS KIT	(L=500MM) *		4005337182
30	107318160	1	OIL/PETROL HOSE 3 METERS KIT	(L=1940MM) *		4005337182
31	107318160	1	OIL/PETROL HOSE 3 METERS KIT	(L=1640MM) *		4005337182
33	6228099	1	PROTECTION PLATE			5701715085
34	1813484	2	SCREW INSEX M6X16			5701715030
35	1800440	2	WASHER (1101320,1103440)			5701715026
36	1805399	2	LOCK NUT W. NYLONRING M6 A2			5701715029

# Overview

## CONTRACTOR MASTER

23-03-2011

Part List ID  
CONTRACTORM02

5

Pos	Part no.	Qty	Description	EAN
37	1800796	3	WASHER M8	5701715027
38	1800515	3	LOCK NUT M8 ISO 7042 ZN	5701715026
39	6228450	1	AXLE	5701715238
41	1800440	1	WASHER (1101320,1103440)	5701715026
42	1805399	1	LOCK NUT W. NYLONRING M6 A2	5701715029
43	6201128	1	PLATE	5701715081
44	6228451	1	PLATE F. THROTTLE	5701715413
45	6228421	2	TIGHTENING TILLET SHORT	5701715086
46	6228420	2	TIGHTENING TILLET LONG	5701715086
47	1810092	2	SCREW M6X30	5701715030
48	1608645	1	RSB BRACKET F. PIPE	5701715026
49	1800440	2	WASHER (1101320,1103440)	5701715026
50	1805399	2	LOCK NUT W. NYLONRING M6 A2	5701715029
51	6228500	1	OUTLET PIPE	5701715086
52	1803220	1	LOCK NUT M18X1.5	5701715028
53	1810076	1	TOOTHED WASHER J M18	5701715030
54	6200484	1	THREADED CONNECTION	5701715080
55	1801075	1	PACKING RING Ø 23,8X Ø 17,2	5701715027
56	1603101	1	NIPPLE F/QUICK COULING 3/8 SS	3/8" 5701715024
57	6101038	1	PISTON	5701715063
58	6220557	1	HIGH PRESSURE HOSE L 710	5701715084
59	1801240	4	RUBBER SUSPENSION	5701715027
60	1813286	12	CABLE CLIP	5701715007
61	1802347	7	CABLE BINDER 3 MM WHITE	5701715007
62	3819877	12	CABLE CLIP	5701715238
63	1800317	20	WASHER 10.5X22.0X1.25 A ISO7090 ZN	5701715026
64	1801257	12	LOCK NUT M10 X 1	5701715027
65	6228200	1	CHASSIS	5701715418
66	1800515	2	LOCK NUT M8 ISO 7042 ZN	5701715026
68	2753	2	HEX. SCREW M8X20 ISO 4017 ZN	4005337027
69	1803964	4	SCREW HEX CAP M10X45	5701715029
70	6228839	1	FITTING FOR CHARCHING RELAY	5701715086
71	1800903	2	TOOTHED LOCK WASHER	5701715027
72	1801745	2	SET SCREW	5701715027
73	3820289	1	CHARGING RELAY FOR HONDA	5701715044
74	1803956	3	SCREW M4X12	5701715028
76	6228159	1	CABINET CONTRACTOR ALTO	5701715259
77	6228202	1	PUMP BRACKET	5701715275
80	6105511	1	FILTERHOUSING 86MM LONG	86 mm long 5701715065
80	6228666	1	SCREEN HOUSING 65MM LONG HEAVY DUTY	65 mm long 5701715086
81	6100941	1	FILTER L 7CM	for 65 mm long housing 5701715000
81	6105623	1	FILTER FOR WATERINLET	for 86 mm long housing 5701715012

# Overview

## CONTRACTOR MASTER

23-03-2011

Part List ID  
CONTRACTORM02

6

Pos	Part no.	Qty	Description	EAN
82	1602945	1	QUICK COUPLING 3/4 W/GASKET	5701715024
83	3000320	1	O-RING 20X3 NITRIL	5701715037
84	3001237	1	GASKET 24.5X 16X3	5701715037
85	1801075	1	PACKING RING Ø 23,8X Ø 17,2	5701715027
86	6220554	1	THREADED CONNECTION	5701715084
87	1604487	1	ELBOW HIGH PRESSURE F. Ø12	5701715025
88	6162402	1	PRESSURE GAUGE PIPE	5701715075
89	1804152	4	WASHER M5	5701715029
90	1804285	4	LOCK NUT M5	5701715029
91	3819901	1	IGNITION TRANSFORMER	5701715044
92	1119302	1	COVER F. SPARKING-PLUG REP.KIT	5701715014
96	6164952	1	CABLE F. BATTERY -	(-) 5701715219
97	6228747	1	CABLE FOR BATTERY COMPLETE	(+) 5701715086
98	3820263	1	WIRE BUNDLE	5701715044
99	3819927	1	CAP FOR CABLE	5701715044
100	3803780	1	GROMMET 10-14C	5701715007
101	6228252	1	FITTING F. TUBE	5701715086
102	6228359	1	TUBE F. SENSOR-FLAME CONTROL	5701715418



# Motor pump (a)

## CONTRACTOR MASTER

23-03-2011

Part List ID  
CONTRACTORM04

8

Pos	Part no.	Qty	Description	EAN
-	5218433	1	PUMP OIL 150 1X1L	5701715046
1	3821566	1	MOTOR 13HP HONDA GX390 CONTRACTOR master	5701715271
2	6160608	1	TONGUE 8X7X6.3	5701715075
3	3001559	1	O-RING 23.47X2.62 NITRIL 70SH	5701715038
4	6160607	1	TIGHTENINGRING	5701715075
5	6162601	1	ATTACHMENT PLATE	5701715075
6	1813864	2	SCREW M8X35	5701715031
7	1800796	1	WASHER M8	5701715027
8	1800515	1	LOCK NUT M8 ISO 7042 ZN	5701715026
9	1801182	4	SPRING WASHER M8	5701715027
10	1800150	2	SCREW M8X30	5701715026
11	1810274	2	WASHER M8	5701715030
12	1803949	2	SCREW M8 X 20	5701715028
13	1801182	2	SPRING WASHER M8	5701715027
14	1803337	2	SCREW M8X25	5701715028
15	6162400	1	FRONT BEARING COVER COMPL.	5701715075
16	6100995	1	WASHER	5701715063
17	6100996	1	GUIDE PIN	5701715063
18	107120703	1	BEARING TRACK	5701715296
19	3200656	1	NEEDLE BEARING INA K 40X46X17	5701715039
20	3200615	1	AXIAL ROLLER BEARING	5701715039
21	107120718	1	WOBBLE DISC 15	5701715295
21	6162612	1	WOBBLE DISC NO. 14	5701715075
22	6162603	1	WASHER	5701715075
23	2753	1	HEX. SCREW M8X20 ISO 4017 ZN	4005337027
24	3200664	1	NEEDLE BEARING	5701715039
25	1800515	1	LOCK NUT M8 ISO 7042 ZN	5701715026
25	3200615	1	AXIAL ROLLER BEARING	5701715039
26	107120704	1	BEARING TRACK	5701715296
39	6100710	8	STAY BOLT L200MM	5701715063
51	1119820	1	OIL SEAL 03/C3 REP.KIT	5701715115
52	1119570	1	GASKETS C3 REP.KIT	5701715020



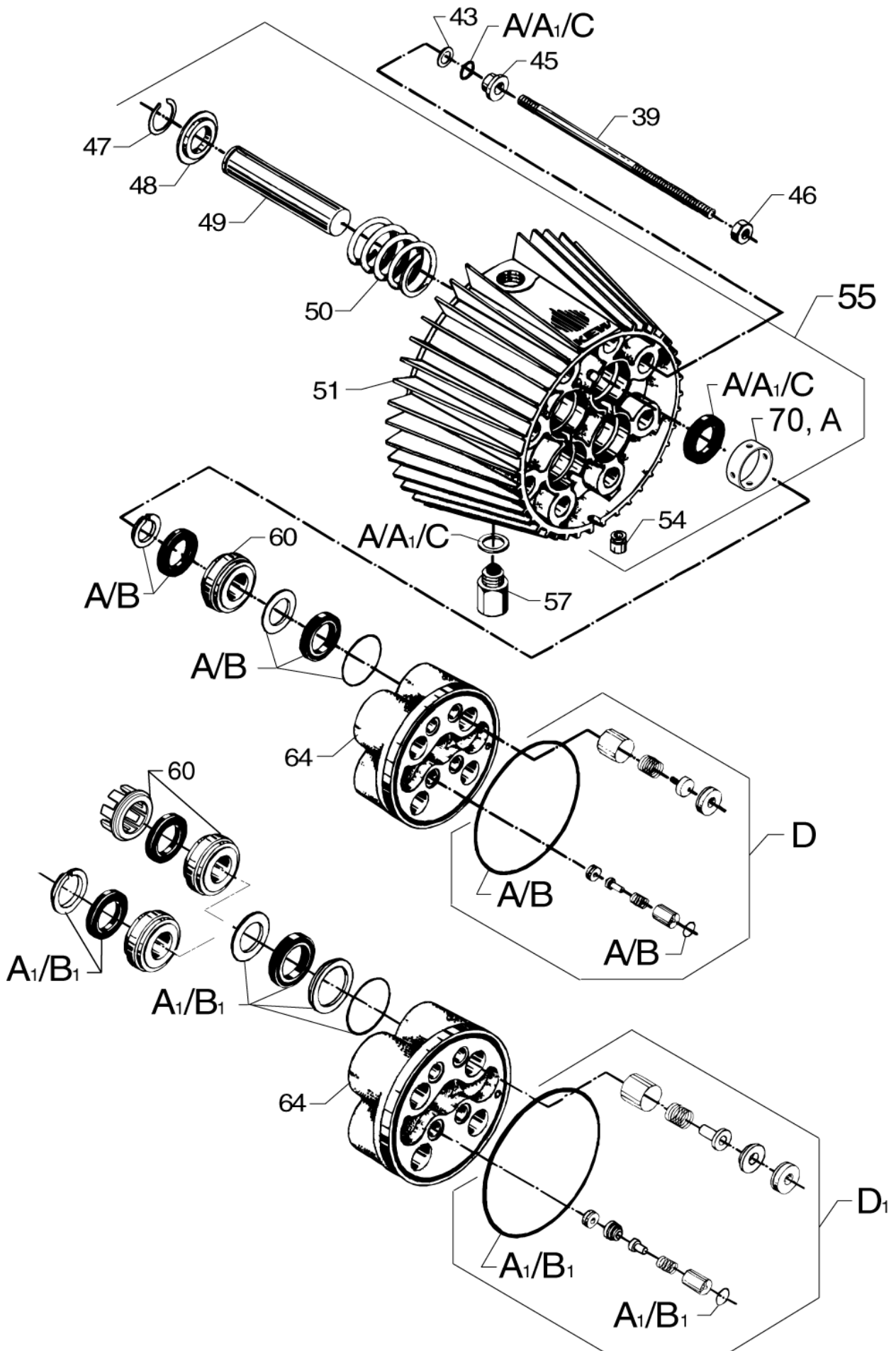
# Motor pump (b)

CONTRACTOR MASTER

23-03-2011

Part List ID  
CONTRACTORM06

9



# Motor pump (b)

## CONTRACTOR MASTER

23-03-2011

Part List ID  
CONTRACTORM06

10

Pos	Part no.	Qty	Description		EAN
A	6109046	1	GASKET REPAIR KIT		5701715065
B	1119035	1	GASKETS REDUCED REP.KIT		5701715019
C	1119820	1	OIL SEAL 03/C3 REP.KIT		5701715115
D	1119310	1	VALVE SET 4X O2/A2/O3		5701715020
43	6100718	8	WASHER 10X16X1		5701715063
45	6100719	8	THRUST COLLAR		5701715063
46	1800465	8	NUT M10		5701715026
47	1802529	4	CIRCLIP		5701715027
48	6100666	4	RING F. RETURN SPRING		5701715008
49	6100901	4	PISTON		5701715005
49	6301166	1	CERAMIC PISTON C3	MASTER	5701715091
50	102602517	1	RETURN SPRING C3	MASTER	5701715317
50	2602274	4	RETURN SPRING C3		5701715035
51	6100610	1	CYLINDER BLOCK		5701715063
54	6100919	1	DRIP NOZZLE		5701715063
55	6101702	1	CYLINDERBLOCK		5701715064
55	6300071	1	CYLINDER BLOCK COMP.	MASTER	5701715088
57	6150400	1	DRAIN PLUG		5701715074
60	107120700	1	THRUST COLLAR BACK-UP RING	MASTER	5701715296
60	6100631	4	THRUST COLLAR		5701715063
64	107120701	1	CYLINDER HEAD	MASTER	5701715418
64	6100907	1	HEAD CYLINDER		5701715063
70	107140321	4	SPACER FOR OIL SEAL 03 PUMP Ø31		4005337173
A1	1119570	1	GASKETS C3 REP.KIT	MASTER	5701715020
A2	1119568	1	GASKETS F. BY-PASS VA REP.KIT	MASTER	5701715020
B1	1119571	1	GASKETS REDUCED REP.KIT	MASTER	5701715020

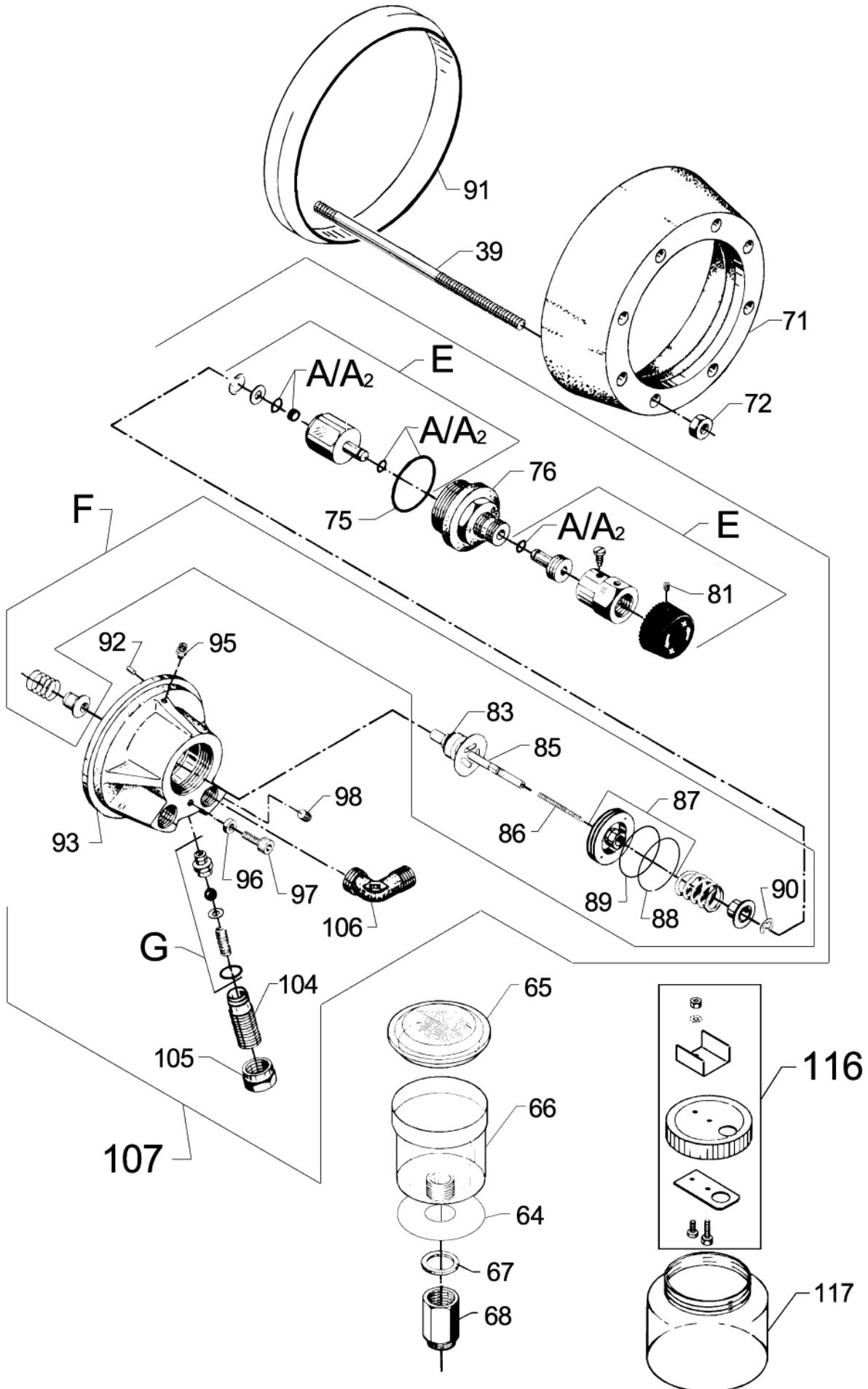
# Motor pump (c)

CONTRACTOR MASTER

23-03-2011

Part List ID  
CONTRACTORM08

11



# Motor pump (c)

## CONTRACTOR MASTER

23-03-2011

Part List ID  
CONTRACTORM08

12

Pos	Part no.	Qty	Description		EAN
-	5218433	1	PUMP OIL 150 1X1L	1,01	5701715046
E	1118538	1	REP.KIT ADJUSTING VALVE		5701715019
F	1118580	1	REP.KIT BY-PASS VALVE AUTO S/S		5701715019
F	1119315	1	REP.KIT BYPASS VALVE	MASTER	5701715020
G	1118512	1	SAFETY VALVE REP.KIT		5701715019
64	6162617	1	WASHER		5701715075
65	2201854	1	COVER F. OIL RESERVOIR		5701715034
66	2200285	1	OIL CONTAINER		5701715034
67	3000361	1	WASHER COBBER 27X21X1.5		5701715037
68	6160610	1	SOCKET FOR OILGLASS		5701715075
71	6100602	1	RETAINING RING		5701715008
72	1800465	8	NUT M10		5701715026
75	3001179	1	O-RING 39.6X2.4 NITRIL 70 SH		5701715037
76	6100984	1	BUSHING F.ADJUSTMENT SPINDLE		5701715063
81	1802602	1	CRA TER-POINT SCREW M4X6		5701715028
83	3000460	1	O-RING 11.0X2.0 NITRIL 70SH		5701715037
85	6101784	1	VALVE CONE COMP.		5701715064
86	2600286	1	SPRING DM-2.9		5701715035
87	6100925	1	PISTON F. BY-PASS VALVE		5701715063
87	6228554	1	PISTON COMPL.	MASTER	5701715086
88	6101061	1	PISTONRING		5701715063
89	3001716	1	O-RING 35.1x1.6 SMS 1586 NBR70		5701715038
90	6101069	1	SAFETY DISK		5701715063
91	6301392	1	RING FOR MOTOR-PUMP	MASTER	5701715092
92	6100996	1	GUIDE PIN		5701715063
93	6101042	1	VALVE COVER		5701715063
95	1603422	1	THREADED CONNECTION		5701715024
96	6100985	1	LOCK WASHER		5701715063
97	1802636	1	SCREW M6X12		5701715028
98	1602333	2	PLUG 1/8 INCH		5701715024
104	6100940	1	ADJUSTMENT SCREW		5701715063
105	6100928	1	LOCK NUT		5701715063
107	6228553	1	BY-PASS VALVE COMPLETE	MASTER	4005337161
107	6228568	1	BY-PASS VALVE COMP. CONTR.DIE		5701715086
116	6101625	1	COVER F. SLUDGE CONTAINER		5701715064
117	2200467	1	SLUDGE CONTAINER		5701715014

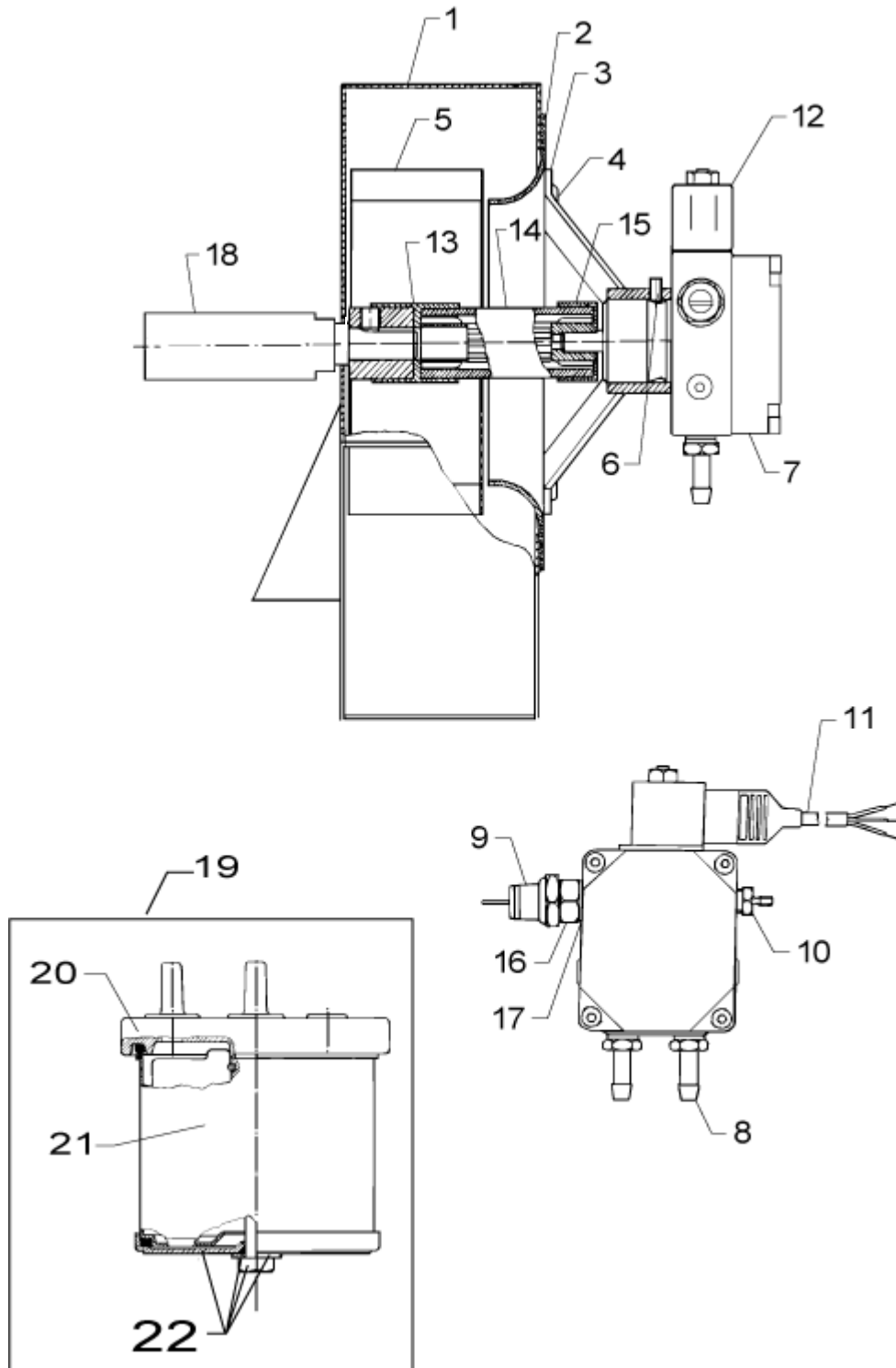
# Fan and oil pump

CONTRACTOR MASTER

23-03-2011

Part List ID  
CONTRACTORM10

13



# Fan and oil pump

## CONTRACTOR MASTER

23-03-2011

Part List ID  
CONTRACTORM10

14

Pos	Part no.	Qty	Description		EAN
-	6228453	1	FAN COMPLETE		5701715086
1	6228452	1	FAN HOUSING		5701715086
2	6200423	1	SUCTION FUNNEL		5701715080
3	6200458	1	OIL PUMP BRACKET		5701715080
4	1803956	4	SCREW M4X12	M 4112	5701715028
5	106228472	1	IMPELLER		5701715457
6	1801091	1	CYLINDER SCREW M5X10 ISO 4762 ST 8.8/ZN	M5110	5701715027
7	101117978	1	FUEL PUMP COMPLETE 24V		4005337179
8	1600527	2	HOSE SOCKET Ø6.5X1/4 INCH		5701715023
9	3601192	1	PRESSURE SWITCH	NOT F. USA	5701715040
10	1603422	1	THREADED CONNECTION		5701715024
11	3812898	1	LEAD FOR FUEL PUMP, L 1450		5701715043
12		1	COIL (SUNTEC)		5701715044
12		1	COIL WITH NUT AND WASHER		5701715044
13	3800984	1	COUPLING		5701715040
14	6220404	1	COUPLING HOSE	(L=70)	5701715083
15	3800992	1	COUPLING		5701715040
16	6228425	1	CONNECTING PIECE F.OIL PUMP	NOT F. USA	5701715207
17	3000791	1	O-RING 8,3 X 2,4 SMS	NOT F. USA	5701715037
18	6228419	1	AXLE F. FAN		5701715086
19	6200466	1	FUEL FILTER COMP.		5701715080
20	6200445	1	FILTER CAP		5701715080
21	1604248	1	OIL FILTER		5701715025
22	1119301	1	REPKIT.BOTTOM SEC. OIL FILTER		5701715020

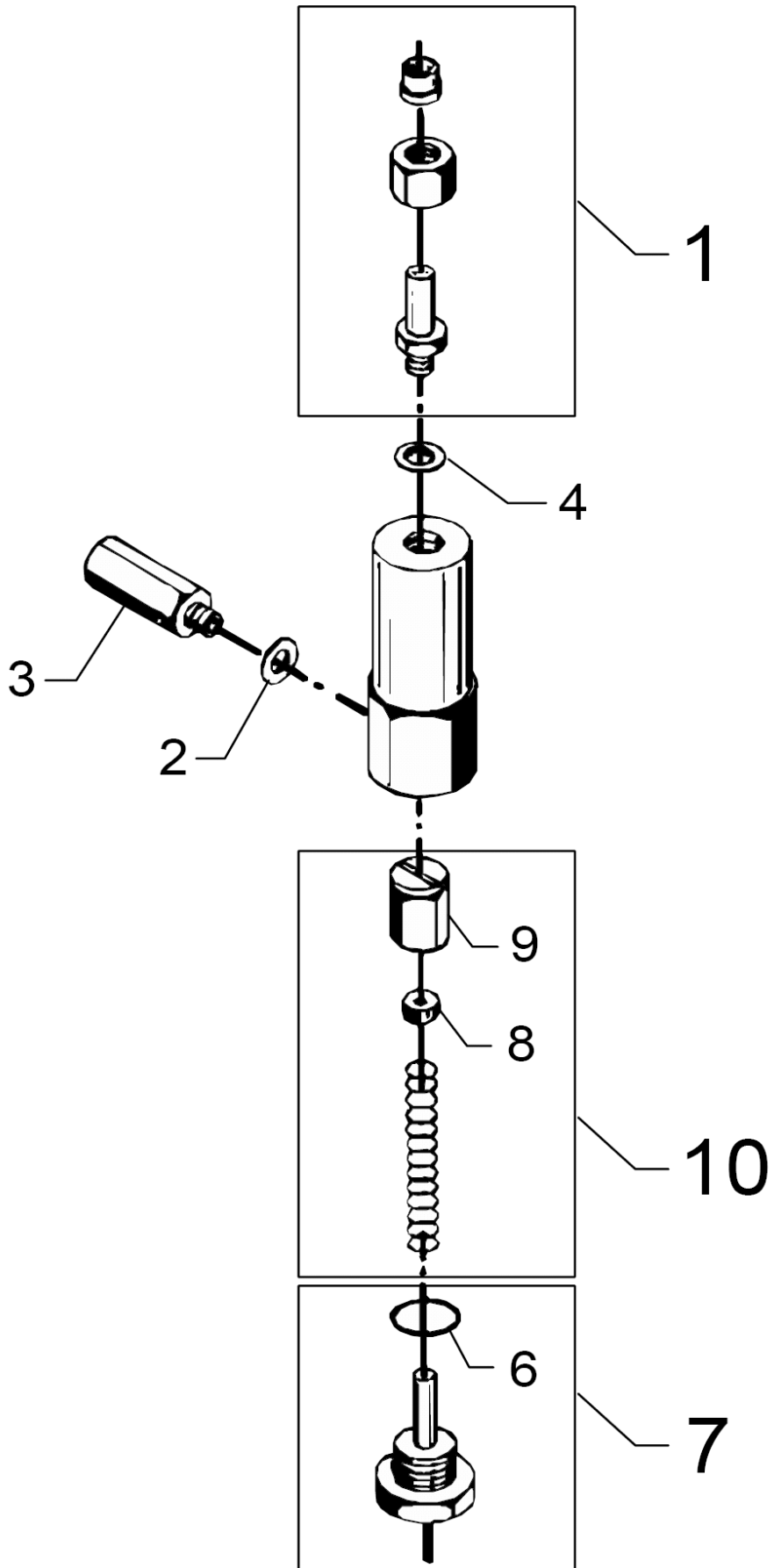
# Flow switch, (outlet)

CONTRACTOR MASTER

23-03-2011

Part List ID  
CONTRACTORM12

15



# Flow switch, (outlet)

CONTRACTOR MASTER

23-03-2011

Part List ID  
CONTRACTORM12

16

Pos	Part no.	Qty	Description	EAN
-	6220555	1	FLOW CONTROL OUTLET	5701715084
1	6220554	1	THREADED CONNECTION	5701715084
2	1803493	1	PACKING RING Ø 20,57X Ø 13	5701715028
3	6220530	1	HOUSING	5701715084
4	1801075	1	PACKING RING Ø 23,8X Ø 17,2	5701715027
6	3000825	1	O-RING 20.24X2.62 NITRIL 70SH	5701715037
7	6221773	1	REED SWITCH WITH O-RING	5701715116
8	1803485	1	RING MAGNET Ø14X5.2X9	5701715028
9	6200554	1	PISTON COMP.	5701715080
10	1119701	1	FLOW SWITCH REP.KIT	5701715115



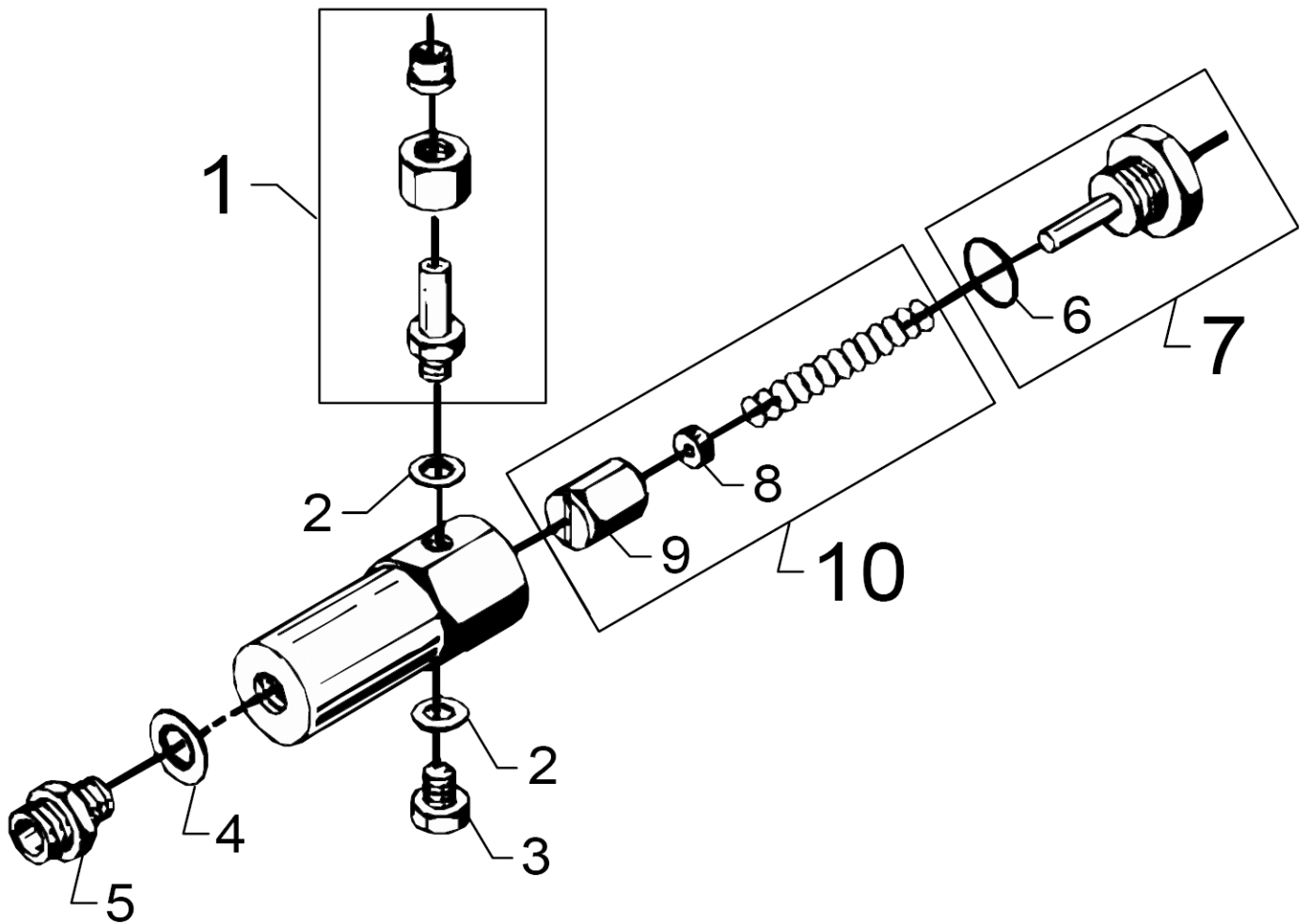
# Flow control (boiler)

CONTRACTOR MASTER

23-03-2011

Part List ID  
CONTRACTORM14

17



# Flow control (boiler)

CONTRACTOR MASTER

23-03-2011

Part List ID  
CONTRACTORM14

18

Pos	Part no.	Qty	Description	EAN
-	6228551	1	FLOW SWITCH COMPL.	5701715008
1	6200558	1	THREADED CONNECTION COMP.	5701715080
2	1803493	2	PACKING RING Ø 20,57X Ø 13	5701715028
3	6200529	1	DRAIN SCREW	5701715080
4	1801075	1	PACKING RING Ø 23,8X Ø 17,2	5701715027
5	1601079	1	THREADED CONNECTION	5701715024
6	3000825	1	O-RING 20.24X2.62 NITRIL 70SH	5701715037
7	6221773	1	REED SWITCH WITH O-RING	5701715116
8	1803485	1	RING MAGNET Ø14X5.2X9	5701715028
9	6200554	1	PISTON COMP.	5701715080
10	1119701	1	FLOW SWITCH REP.KIT	5701715115

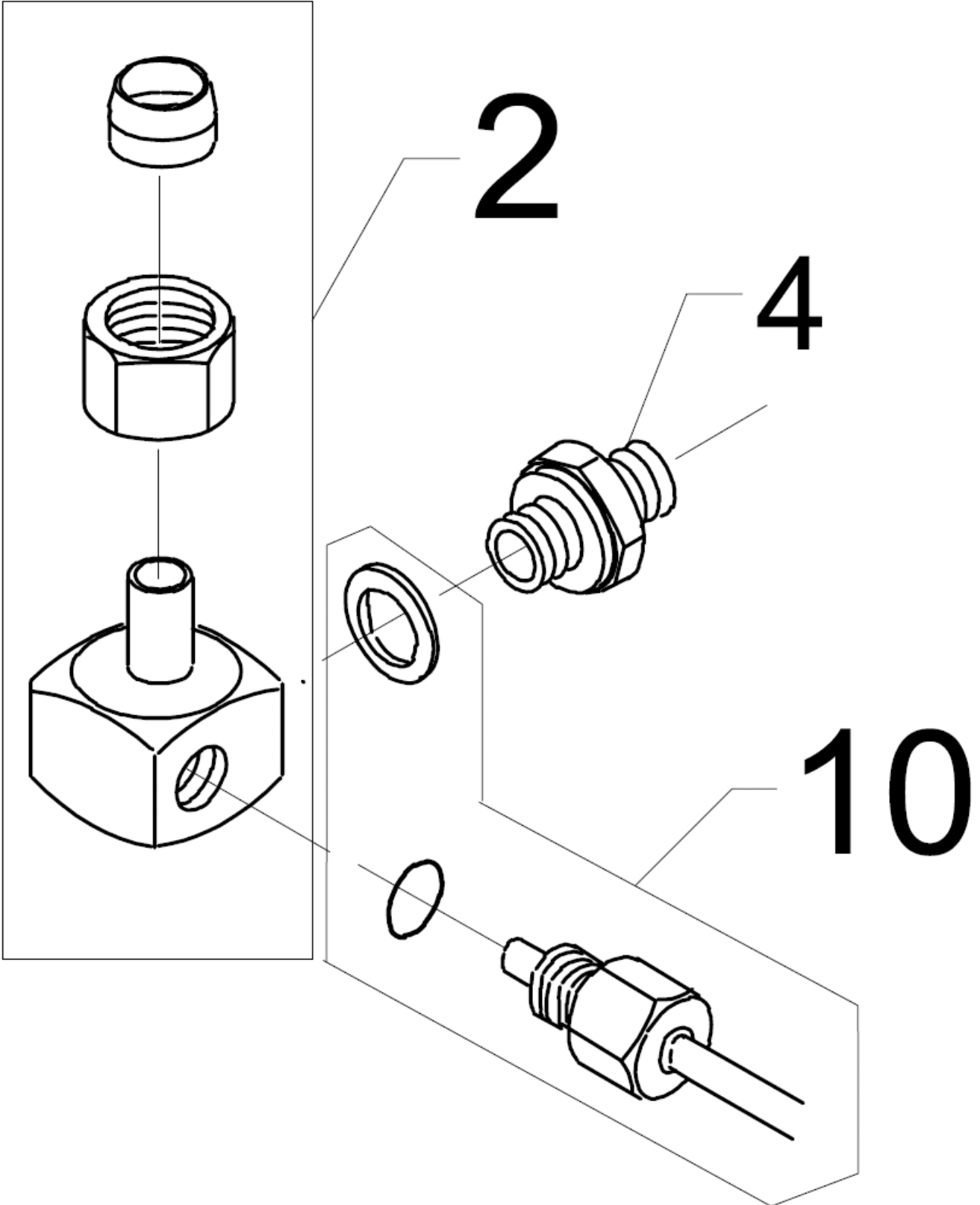
# Outlet for coil, elbow, complete

CONTRACTOR MASTER

23-03-2011

Part List ID  
CONTRACTORM16

19



# Outlet for coil, elbow, complete

CONTRACTOR MASTER

23-03-2011

Part List ID  
CONTRACTORM16

20

Pos	Part no.	Qty	Description	EAN
-	6228350	1	OUTLET FOR COIL ELBOW COMPLETE	5701715086
2	6200360	1	OUTLET FOR COIL ELBOW	5701715079
4	1601079	1	THREADED CONNECTION	5701715024
10	1119011	1	ELBOW OUTLET F.COIL REP.KIT	5701715019

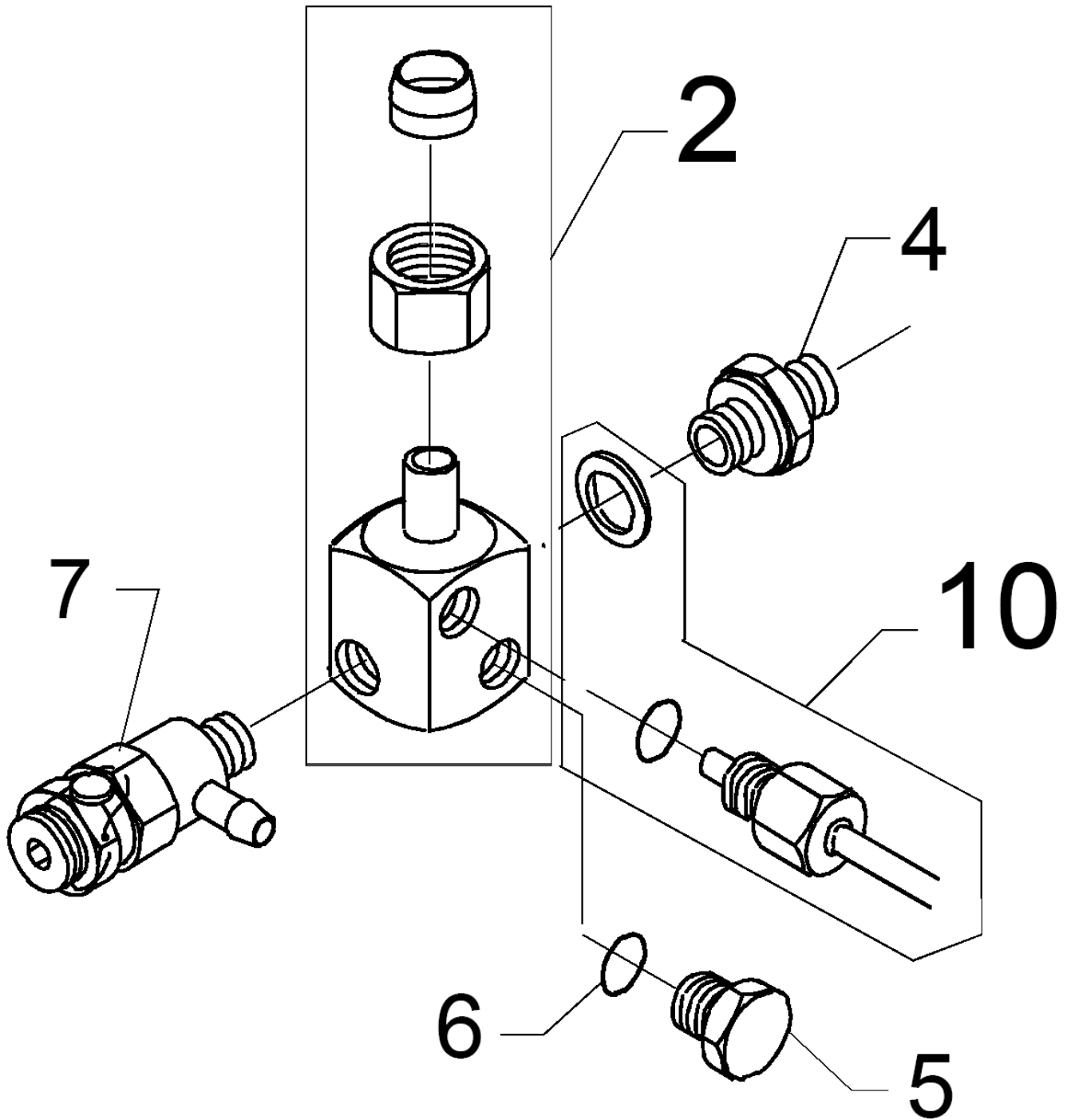
# Outlet for coil, elbow. comp. AUS

CONTRACTOR MASTER

23-03-2011

Part List ID  
CONTRACTORM18

21



# Outlet for coil, elbow. comp. AUS

CONTRACTOR MASTER

23-03-2011

Part List ID  
CONTRACTORM18

22

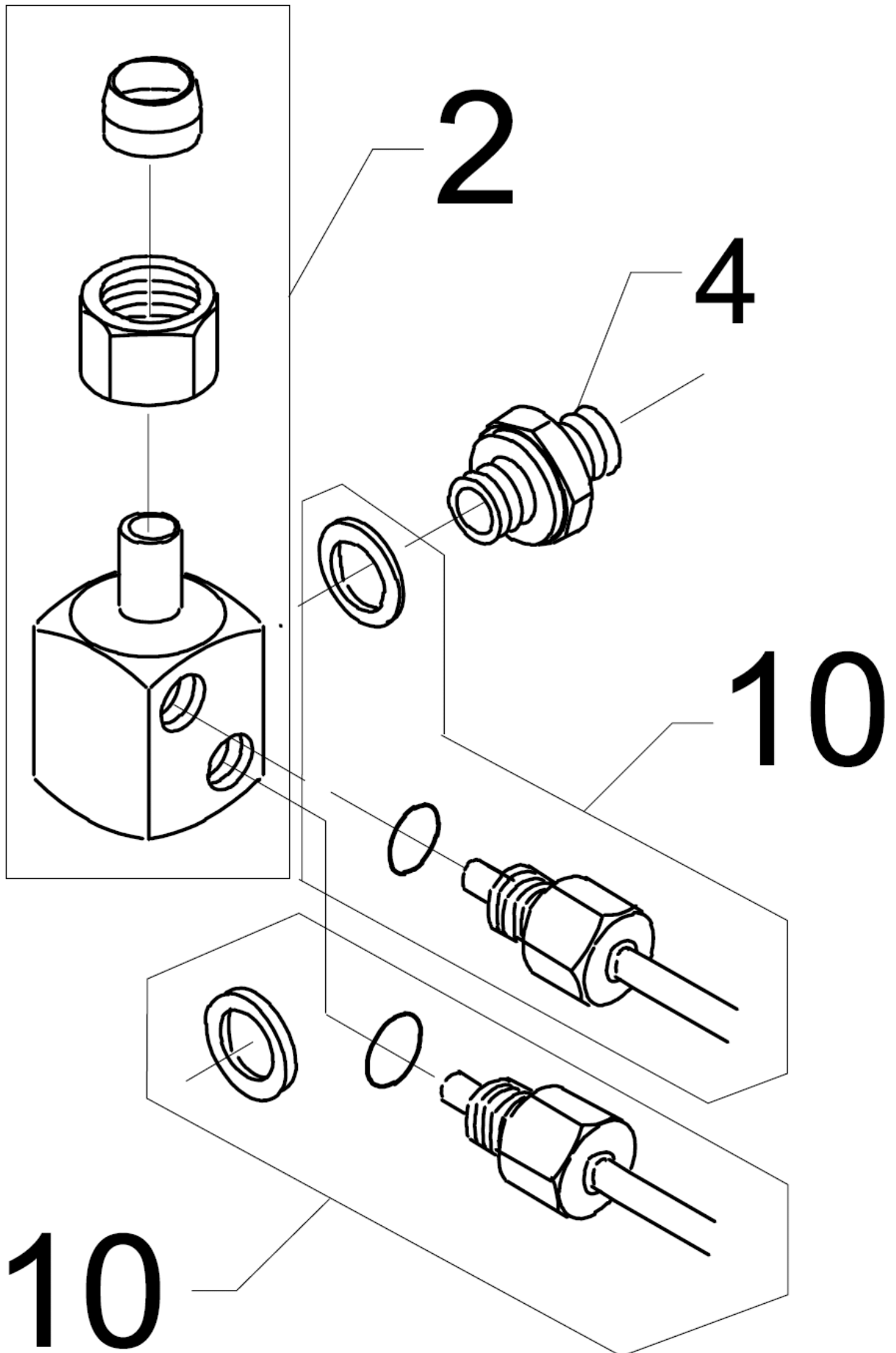
Pos	Part no.	Qty	Description	EAN
-	6228357	1	OUTLET F. COIL ELBOW COMPL.	5701715295
2	6220368	1	OUTLET FOR COIL ELBOW	5701715083
4	1601079	1	THREADED CONNECTION	5701715024
5	6200491	1	PLUG	5701715118
6	3000973	1	O-RING 8,6 X 2,4 SMS	5701715037
7	6220584	1	SAFETY VALVE COMPL. 250 BAR	5701715084
10	1119011	1	ELBOW OUTLET F.COIL REP.KIT	5701715019

**Outlet for coil, elbow, comp. NO, SE**  
CONTRACTOR MASTER

23-03-2011

Part List ID  
CONTRACTORM20

23



# Outlet for coil, elbow, comp. NO, SE

CONTRACTOR MASTER

23-03-2011

Part List ID  
CONTRACTORM20

24

Pos	Part no.	Qty	Description	EAN
-	6228354	1	BOILER OUTLET ELLBOW F. N, S	5701715244
2	6200381	1	OUTLET FOR COIL ELBOW	5701715079
4	1601079	1	THREADED CONNECTION	5701715024
10	1119011	2	ELBOW OUTLET F.COIL REP.KIT	5701715019



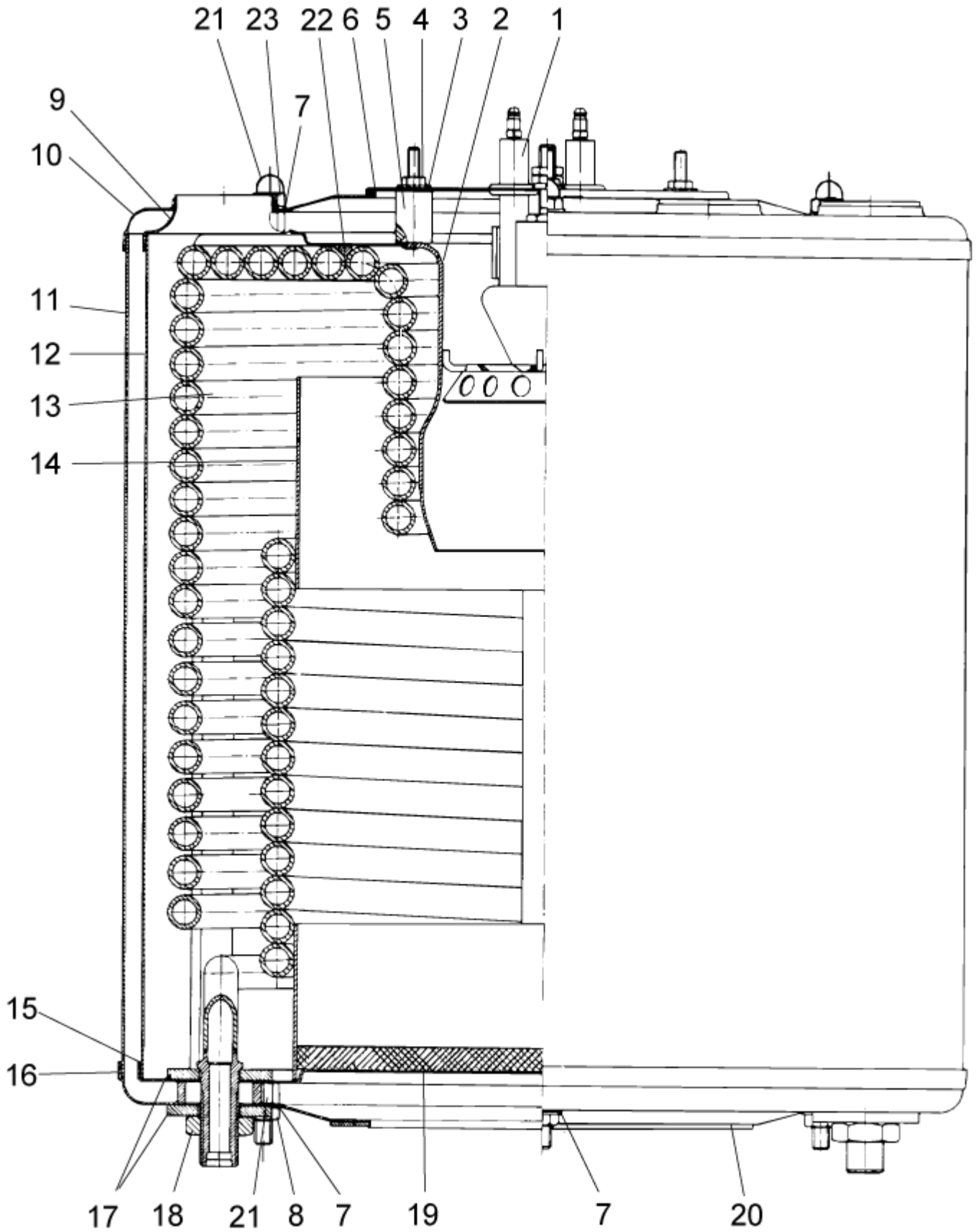
# Boiler

CONTRACTOR MASTER

23-03-2011

Part List ID  
CONTRACTORM22

25



# Boiler

## CONTRACTOR MASTER

23-03-2011

Part List ID  
CONTRACTORM22

26

Pos	Part no.	Qty	Description	EAN
1	6228353	1	AIR DISTRIBUTOR, COMPL.	5701715086
2	6200350	1	BURNER TUBE	5701715079
3	1800440	3	WASHER (1101320,1103440)	5701715026
4	1800705	3	NUT M6 ISO 4032	5701715026
5	6200281	3	SPACING PIECE	5701715079
6	3001104	1	O-RING 164,3 X 3,0 SMS	5701715037
7	1800796	7	WASHER M8	5701715027
8	1803725	3	HEXAGON NUT M8	5701715028
9	6200354	1	BOILER TOP, INSIDE	5701715079
10	6200250	1	BOILER TOP, OUTSIDE	5701715079
11	6200256	1	OUTER BOILER	5701715079
12	6200255	1	INNER BOILER	5701715079
13	6201359	1	COIL	5701715081
14	6200389	1	FLAME TUBE	5701715080
15	6200253	1	BOILER BOTTOM, INSIDE	5701715079
16	6200355	1	BOILER BOTTOM, OUTSIDE	5701715079
17	6200273	4	WASHER	5701715079
18	1803220	2	LOCK NUT M18X1.5	5701715028
19	6240257	1	CERAMIC BOILER INSULATION	5701715087
20	6200282	1	GASKET FOR BOILER	5701715079
21	6200286	6	BOILER NUT	5701715079
22	6200299	1	PACKING CORD	5701715079
23	1807528	3	NUT M8, STAINLESS	5701715030

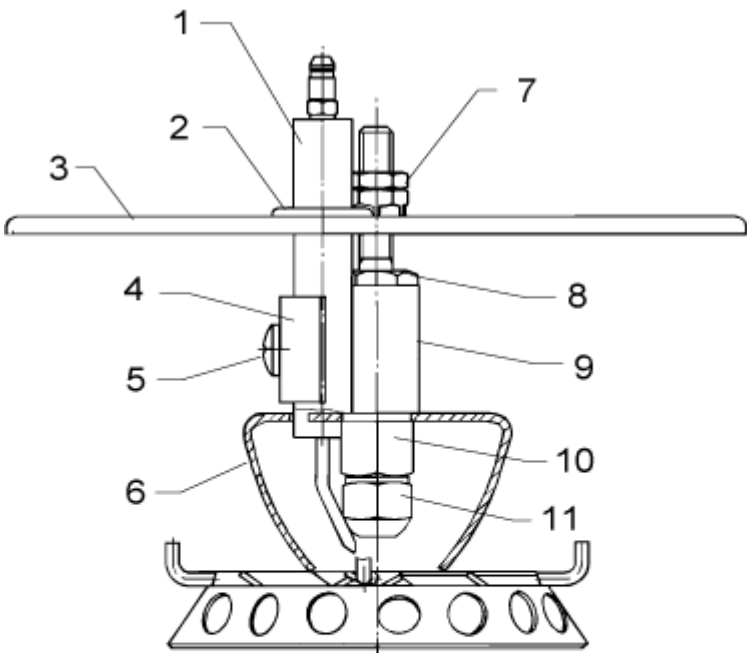
# Air distributor

CONTRACTOR MASTER

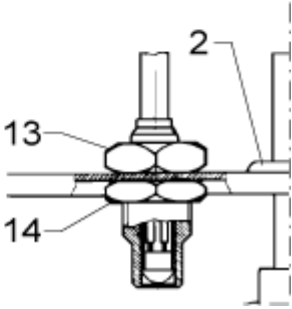
23-03-2011

Part List ID  
CONTRACTORM24

27



12



# Air distributor

## CONTRACTOR MASTER

23-03-2011

Part List ID  
CONTRACTORM24

28

Pos	Part no.	Qty	Description	EAN
-	6228353	1	AIR DISTRIBUTOR, COMPL.	5701715086
1	1119303	2	ELECTRODE SHORT REP.KIT	5701715020
2	3001427	2	CABLE GLAND	5701715038
3	6200373	1	COVER- AIR DISTRIBUTOR W. SENS	5701715079
4	6200260	1	CLAMP FOR ELECTRODE	5701715079
5	1801273	1	SCREW M6 X 12	5701715027
6	6200365	1	AIR DISTRIBUTOR	5701715079
7	1803402	1	LOCK NUT M8X1	5701715028
8	6200296	1	NUT FOR NOZZLE HOLDER	5701715079
9	6200297	1	HOLDER F. ELECTRODE	5701715079
10	6220250	1	NOZZLE HOLDER	5701715083
11	2800548	1	OIL NOZZLE	5701715036
13	6228377	1	SENSOR FOR FLAME CONTROL	5701715086
14	1803535	1	NUT	5701715028

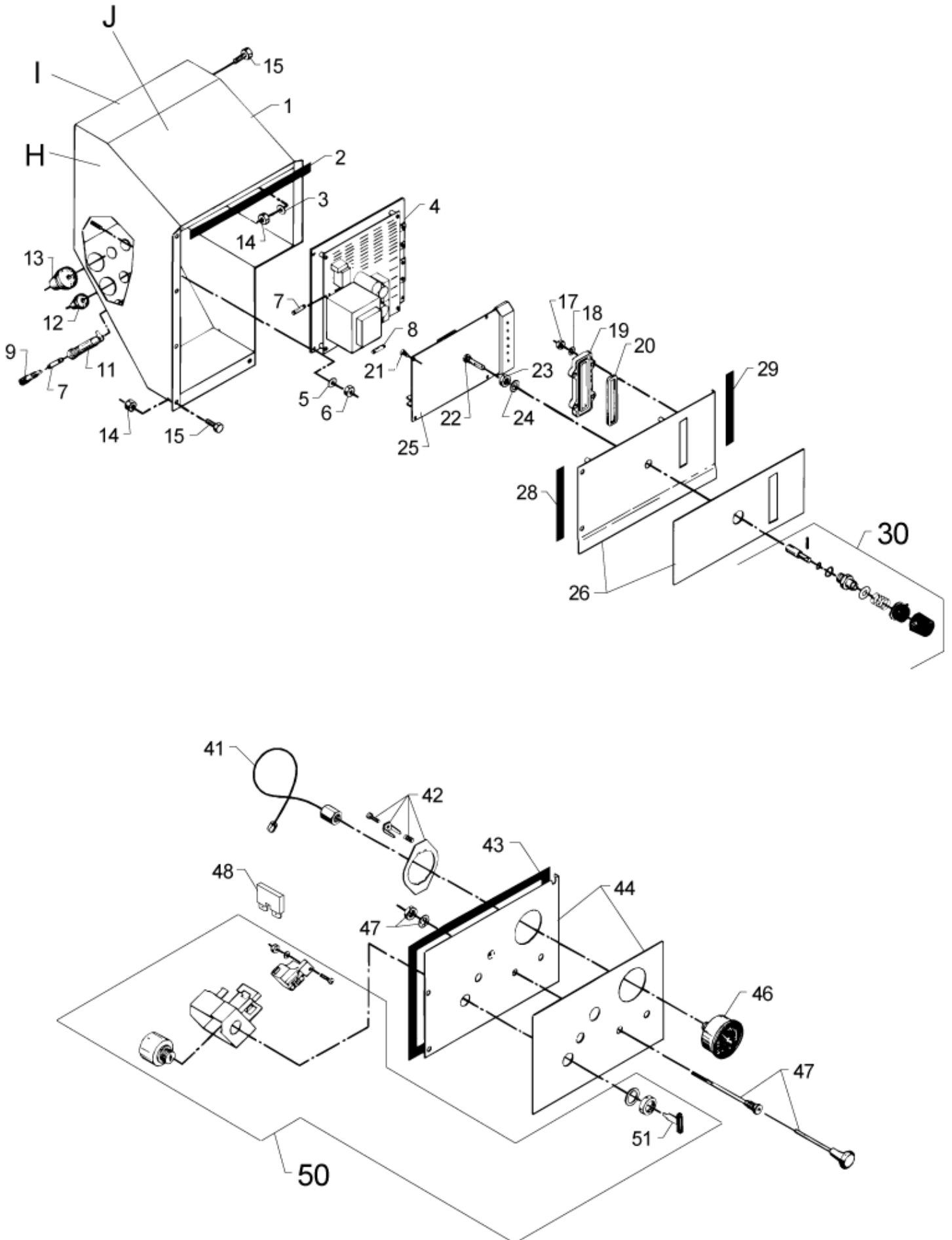
# EI-box

## CONTRACTOR MASTER

23-03-2011

Part List ID  
CONTRACTORM26

29



<b>El-box</b>		23-03-2011
<b>CONTRACTOR MASTER</b>		Part List ID CONTRACTORM26
		30

Pos	Part no.	Qty	Description		EAN
1	6228859	1	EL. CONTROL BOX ALTO		5701715418
2	6228752	1	GASKET		5701715086
3	1800440	1	WASHER (1101320,1103440)		5701715026
4	6420011	1	CONTROL 12V DC-24V AC CONVERTE	12V DC/ 24V AC	5701715103
5	1810308	4	STAR WASHER M4 INTERN.TOOTHING		5701715030
6	1800127	4	LOCK NUT M4 8.8 A2K DIN 985		5701715026
7	3808250	2	FUSE Ø5X20 1.25A	1,25 A	5701715042
8	3812385	1	FUSE 5X20 6.3A	6,3 A	5701715043
9	3812666	1	INSERT FOR FUSEHOLDER		5701715043
H	4208591	1	LABEL-WARNING THAW		5701715011
11	3812674	1	SOCKET FOR FUSEHOLDER		5701715043
12	3803764	6	RUBBER SEAL TET 5-7C	TET 5-7 C	5701715007
13	3803780	2	GROMMET 10-14C	TET 10-14 C	5701715007
14	1805399	4	LOCK NUT W. NYLONRING M6 A2		5701715029
15	1813484	5	SCREW INSEX M6X16		5701715030
17	2759	4	HEXAGON NUT M4		4005337027
18	1800887	4	WASHER M4		5701715027
19	6200729	1	INSPECTION GLASS F.THERMONETER		5701715081
20	6201756	1	GASKET FOR PANE		5701715082
21	1803139	4	SCREW M3X6		5701715028
23	1803535	1	NUT		5701715028
24	3001468	1	FIBRE WASHER		5701715038
25	6420009	1	CIRCUIT BOARD FLAME CONTROL		5701715103
26	1119387	1	COVER I F. CONNECTION BOX		5701715413
28	6228748	1	GASKET RIGHT		5701715086
29	6228751	1	GASKET LEFT		5701715086
30	1117381	1	ADJUSTING KNOB COMPL.		5701715018
41	6162402	1	PRESSURE GAUGE PIPE		5701715075
42	3601036	1	RETAINING RING F. PRESS.GAUGE		5701715040
43	6228749	1	GASKET		5701715086
44	6228845	1	COVER 2 CONNECTION BOX TRANSF		5701715114
46	3600996	1	PRESSURE GAUGE		5701715040
47	6222734	2	CABLE FOR CHOKE		5701715085
48	3820271	1	FUSE 15AMP FOR HONDA GX34		5701715044
50	3820255	1	IGNITION LOCK FOR HONDA GX340		5701715044
51	3820297	1	KEY FOR HONDA GX340		5701715044

# Default accessories

CONTRACTOR MASTER

23-03-2011

Part List ID  
CONTRACTORM28

31

No Drawing For Part List

# Default accessories

## CONTRACTOR MASTER

23-03-2011

Part List ID  
CONTRACTORM28

32

Pos	Part no.	Qty	Description	EAN
1	101119741	1	NOZZLE 0500 INDICATION RING YELLOW	5701715324
1	106402120	1	TORNADO 3000 LANCE 1040 W/O NOZZLE	5701715324
1	106402190	1	SPRAY HANDLE W. SWIVEL LOCK	5701715325
1	6101766	1	10 M 2 WIRE HOSE 3/8IN DN10	5701715064