

3508

Model:
3508
3508H
3508L
3508M



Part List US-English

26-11-2008

Nilfisk
cfm

www.nilfisk-cfm.com

Table of Contents

3508

Frame 1	3
Frame 2	5
Frame 3 (basic model)	7
Frame 3 (L model)	9
Container unit	11
Filter group	13
Shaker unit	15
Suction unit	17
Electric system (basic model)	19
Electric system (L model)	21
Electric board	23
L/M/H & ATEX label	25

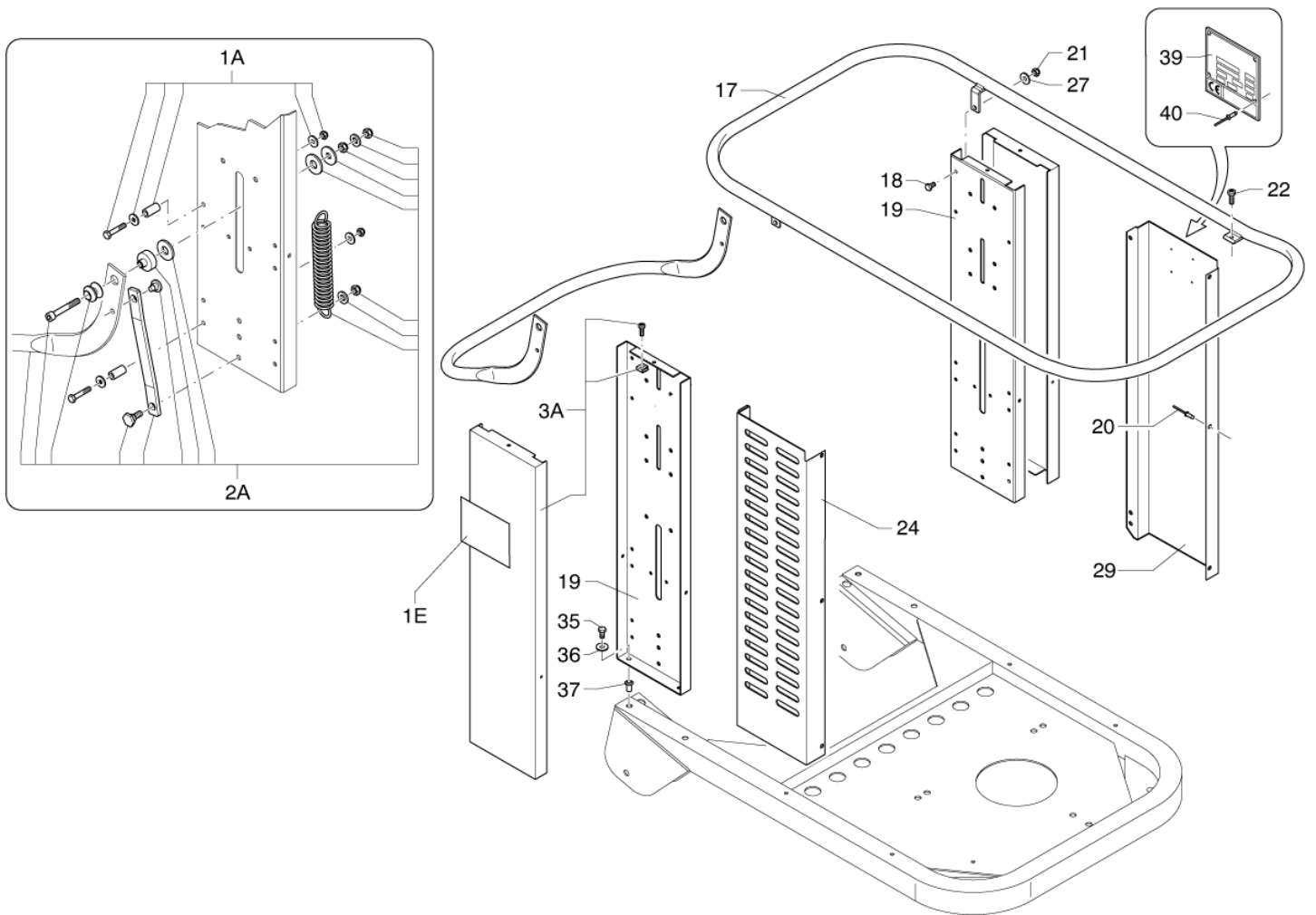
Frame 1

3508

26-11-2008

Part List ID 350801

3



Frame 1

3508

26-11-2008

Part List ID
350801

4

Pos	Part no.	Qty	Description	EAN
17	Z8 18987	1	HANDLE 3308-3508	
18		2	NOTE COMMENT	Screw M6x20 UNI 5739 DIN 933 5701715456
19	Z8 18506	2	UPRIGHT M.137	
1A	40000538	1	RELEASE LEVER BLOCKAGE KIT	
20		11	NOTE COMMENT	Rivet D.6,4x10 DIN 7337 5701715456
21		2	NOTE COMMENT	Nut M6 UNI 7474 DIN 985 5701715456
22		2	NOTE COMMENT	Screw M6x16 UNI 7687 DIN 7985 5701715456
24	Z8 35135	1	LEFT CARTER 3308.3508	
27		2	NOTE COMMENT	Washer D.6 UNI 6592 DIN 433 5701715456
29	Z8 35137	1	RIGHT CARTER 3308.3508	
2A	40000539	1	RELEASE LEVER KIT	
35		4	NOTE COMMENT	Screw M8x16 UNI 5739 DIN 933 5701715456
36		4	NOTE COMMENT	Washer D.8 UNI 6592 DIN 433 5701715456
37	Z8 38037	4	THREADED INSERT M8	
39	Z8 17015	1	3-PHASE PLATE ALUMINIUM	
3A	40000540	1	SIDE PANEL KIT	
40		4	NOTE COMMENT	Rivet D.2,9x7 DIN 7337 5701715456

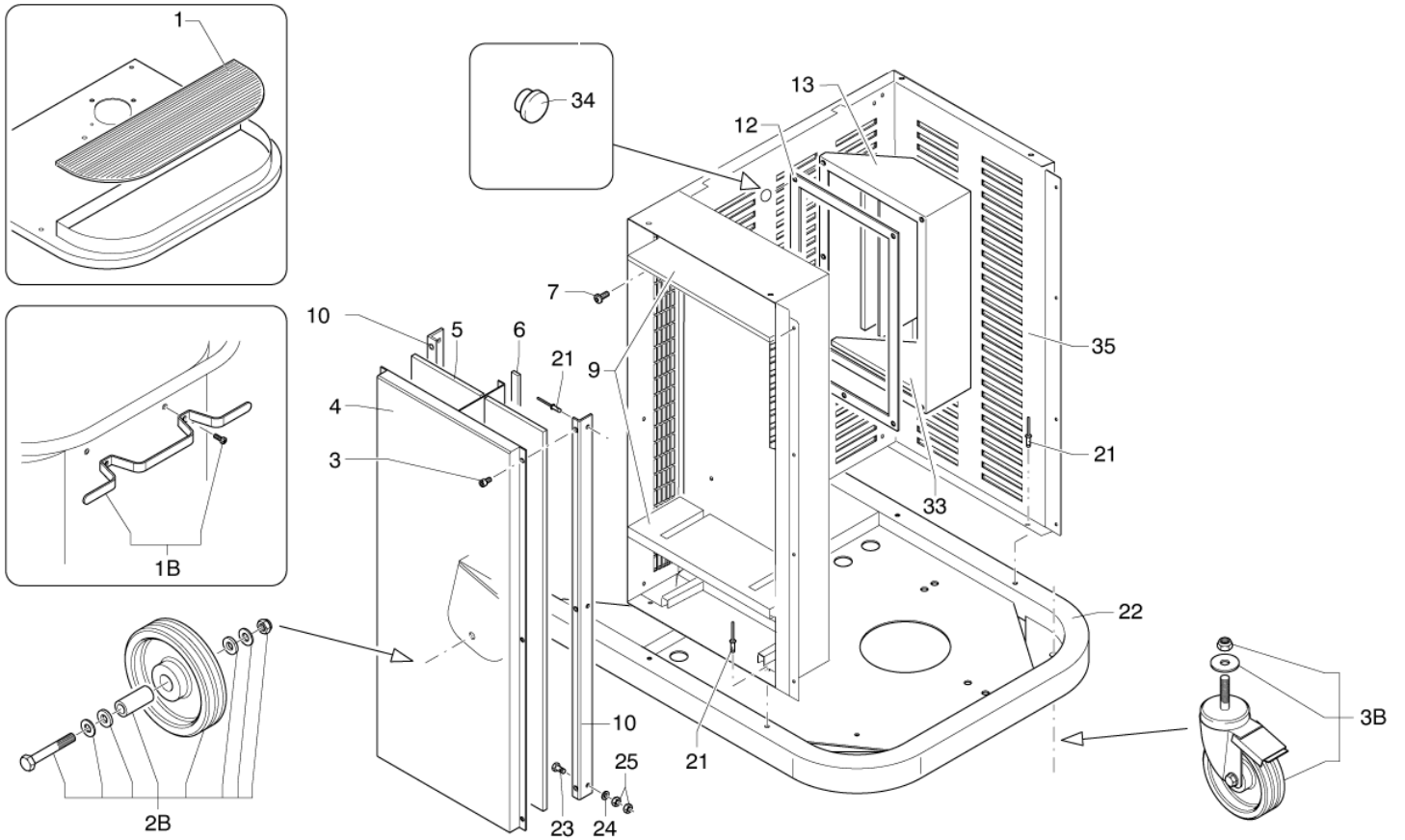
Frame 2

3508

26-11-2008

Part List ID
350803

5



Frame 2

3508

26-11-2008

Part List ID
350803

6

Pos	Part no.	Qty	Description	EAN
1	Z8 17811	1	MAT FOR TANK 3308-3508	
3		6	NOTE COMMENT	Screw M6x16 UNI 5931 DIN 912 5701715456
4	Z8 16323	1	L.H.PANEL MOD.3308	
5	Z8 17644	1	SOUNDPROOF LEFT PANEL KIT	
6	40000764	1	SEAL	
7		4	NOTE COMMENT	Screw M6x16 UNI 5931 DIN 912 5701715456
9	Z8 17645	1	SOUNDPROOF LEFT SIDE KIT	
10	Z8 18915	2	CORNER	
12	Z8 17647	1	JUNCTION FOR CONVEYOR	
13	Z8 35093	1	DOWNSTREAM CONVEYOR	
1B	40000544	1	KIT CABLE HOLDER	
21		6	NOTE COMMENT	Rivet D.6,4x10 DIN 7337 5701715456
22	Z8 36469	1	TROLLEY 3308-3508 RAL 9005	
23		1	NOTE COMMENT	Screw M6x20 UNI 5739 DIN 933 5701715456
24		1	NOTE COMMENT	Washer D.6 UNI 6592 DIN 433 5701715456
25		2	NOTE COMMENT	Nut M6 UNI 5588 DIN 934 5701715456
2B	40000542	1	KIT FIX ASTOR D200	
33	Z8 17646	1	SOUNDPROOF CONVEYOR KIT	
34	Z8 39934	1	PLUG RUBBER D18.5	
35	Z8 35131	1	CARTER 3308.3508	
3B	40000541	1	KIT REVOLV. CASTOR D150	

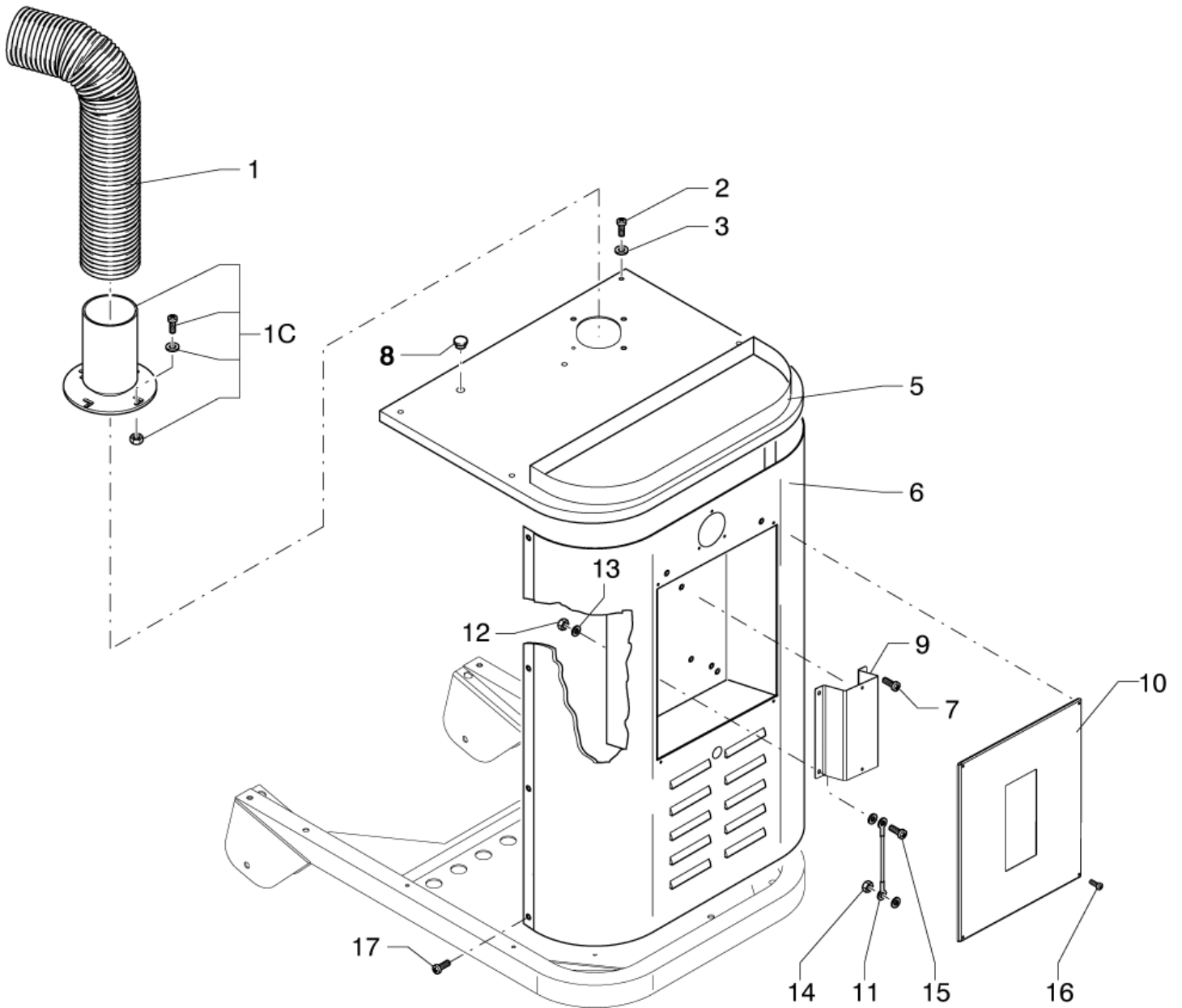
Frame 3 (basic model)

3508

26-11-2008

Part List ID
350805

7



Frame 3 (basic model)

3508

26-11-2008

Part List ID
350805

8

Pos	Part no.	Qty	Description		EAN
2		2	NOTE COMMENT	Screw M6x16 UNI 7687 DIN 7985	5701715456
3		2	NOTE COMMENT	Washer D.6 UNI 6592 DIN 433	5701715456
5	Z8 16406	1	SUP SHEET 3308-3508		
6	Z8 35133	1	DOOR 3308.3508		
7		3	NOTE COMMENT	Screw M6x10 UNI 7687 DIN 7985	5701715456
8	Z8 39934	1	PLUG RUBBER D18.5		
9	Z8 14629	1	BRACKET E.B. 3308-3508		
10	Z8 16408	1	E.B. PANEL 3308.3508		
11	Z8 39667	1	EARTH CABLE MM 250		
12		4	NOTE COMMENT	Nut M6 UNI 7474 DIN 985	5701715456
13		3	NOTE COMMENT	Washer D.6 UNI 6592 DIN 433	5701715456
14		1	NOTE COMMENT	Nut M6 UNI 7474 DIN 985	5701715456
15		1	NOTE COMMENT	Screw M6x16 UNI 7687 DIN 7985	5701715456
16		4	NOTE COMMENT	Screw D.3,9x16 UNI 6954 DIN 7981	5701715456
17		8	NOTE COMMENT	Screw D.6,3x16 UNI 6954 DIN 7981	5701715456
1C	40000566	1	D100-70 MOBILE CONNECTION FITTING KIT		

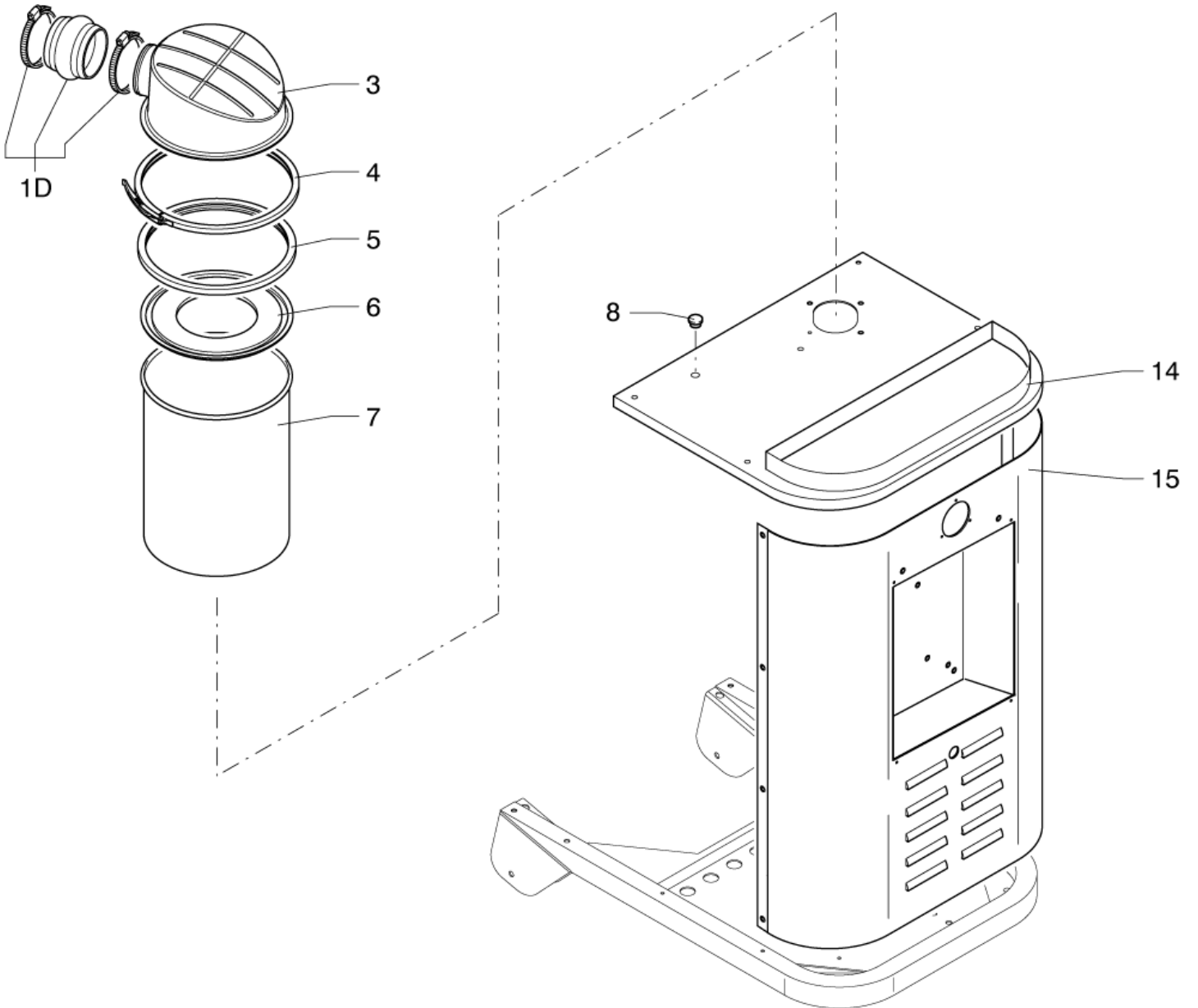
Frame 3 (L model)

3508

26-11-2008

Part List ID 350807

9



Frame 3 (L model)

3508

26-11-2008

Part List ID
350807

10

Pos	Part no.	Qty	Description	EAN
3	Z8 12367	1	CAP 280	
4	Z8 36472	1	CLOSER 280	
5	Z8 17640	1	JUNCTION D280	
6	Z8 17631A	1	SUPERIOR TOP	
7	Z8 30276	1	SECURITY FILTER CONT 280	
8	Z8 39934	1	PLUG RUBBER D18.5	
14	Z8 16406	1	SUP SHEET 3308-3508	
15	Z8 35133	1	DOOR 3308.3508	
1D	40000545	1	KIT SLEEVE	

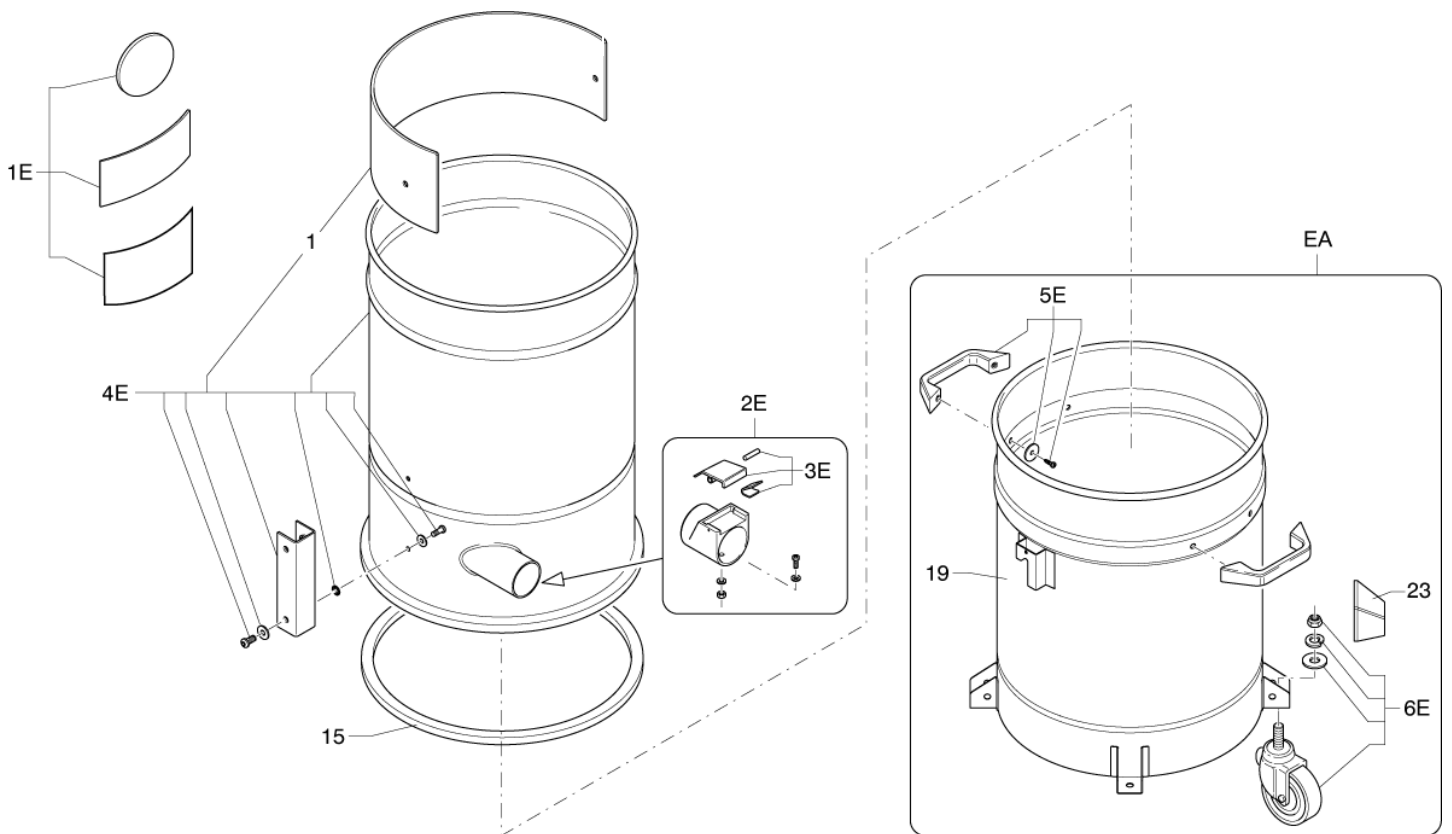
Container unit

3508

26-11-2008

Part List ID 350809

11



Container unit

3508

26-11-2008

Part List ID
350809

12

Pos	Part no.	Qty	Description	EAN
1	Z8 13225	1	SHIELD D460 MOD.3308 Z.PLT.	
1	Z8 13227	1	SHIELD D460 MOD.3308 INOX	
15	40000762	1	SEAL	
19	Z8 30278	1	CONTAINER D460X600 FE LT.100 MOD.3308	
19	Z8 30288	1	CONTAINER D460X600 INOX LT.100 MOD. 3308	
1E	40000568	1	KIT LABELS	
23	Z8 17021	4	BUMPER WHEEL HOLDER	
2E	40000549	1	KIT COMPLETE INLET D70	
3E	40000345	1	KIT PUSHBUTTON FOR INLET D70	
4E	40000546	1	KIT FILTER CHAMBER	
5E	40000423	1	KIT HANDLE	
6E	40000419	1	KIT CASTORS FOR CONTAINER	
EA	Z8 30291	1	CONTAINER D460X600 FE COMPL. LT.100 MOD.	

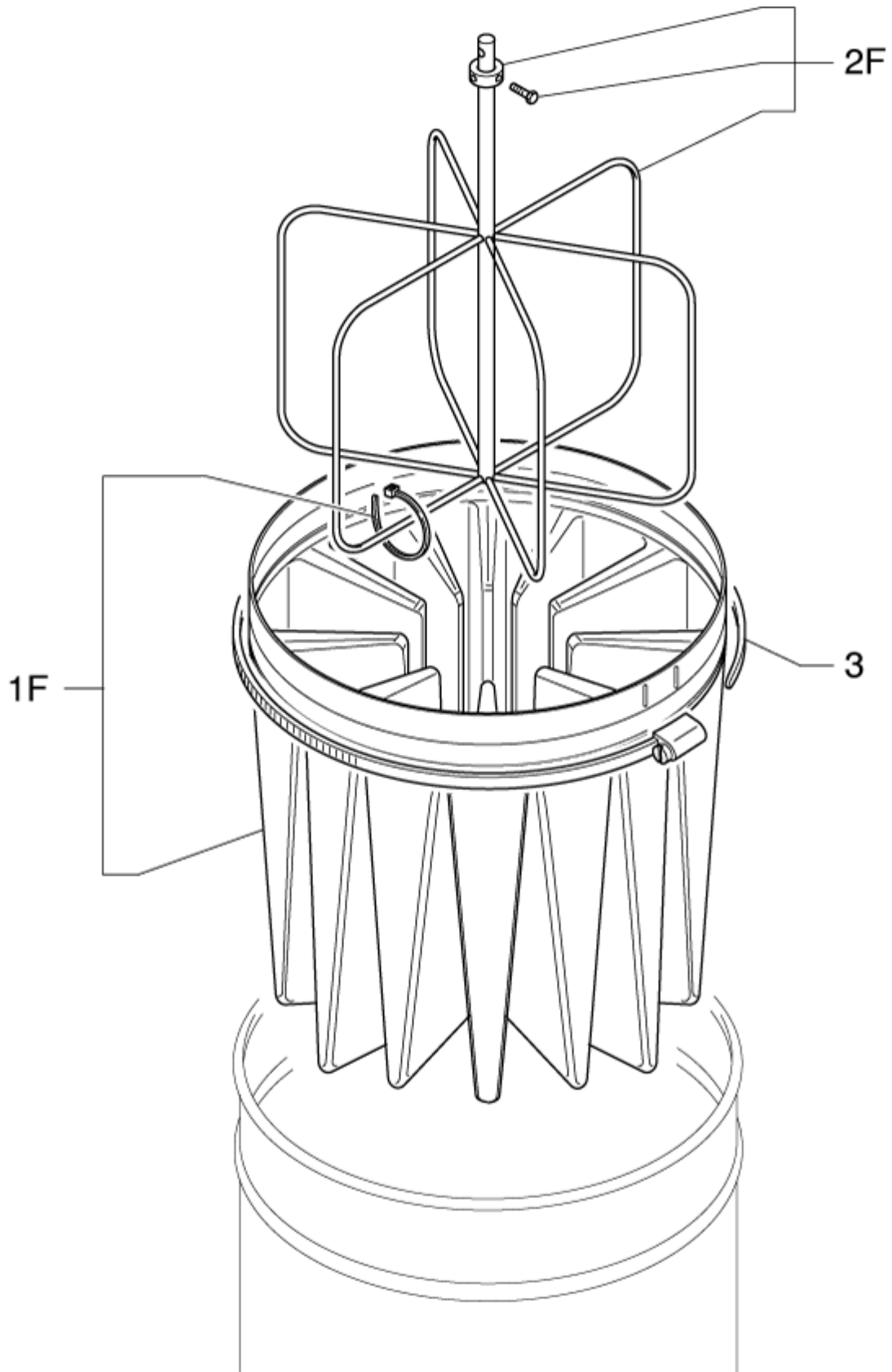
Filter group

3508

26-11-2008

Part List ID 350811

13



Filter group

3508

26-11-2008

Part List ID 350811

14

Pos	Part no.	Qty	Description	EAN
3	Z8 18079	1	FILTER BLOCK TIE D460	
1F	40000338	1	STAR FILTER KIT D460	
2F	40000550	1	FILTER CAGE KIT MOD. 3308	

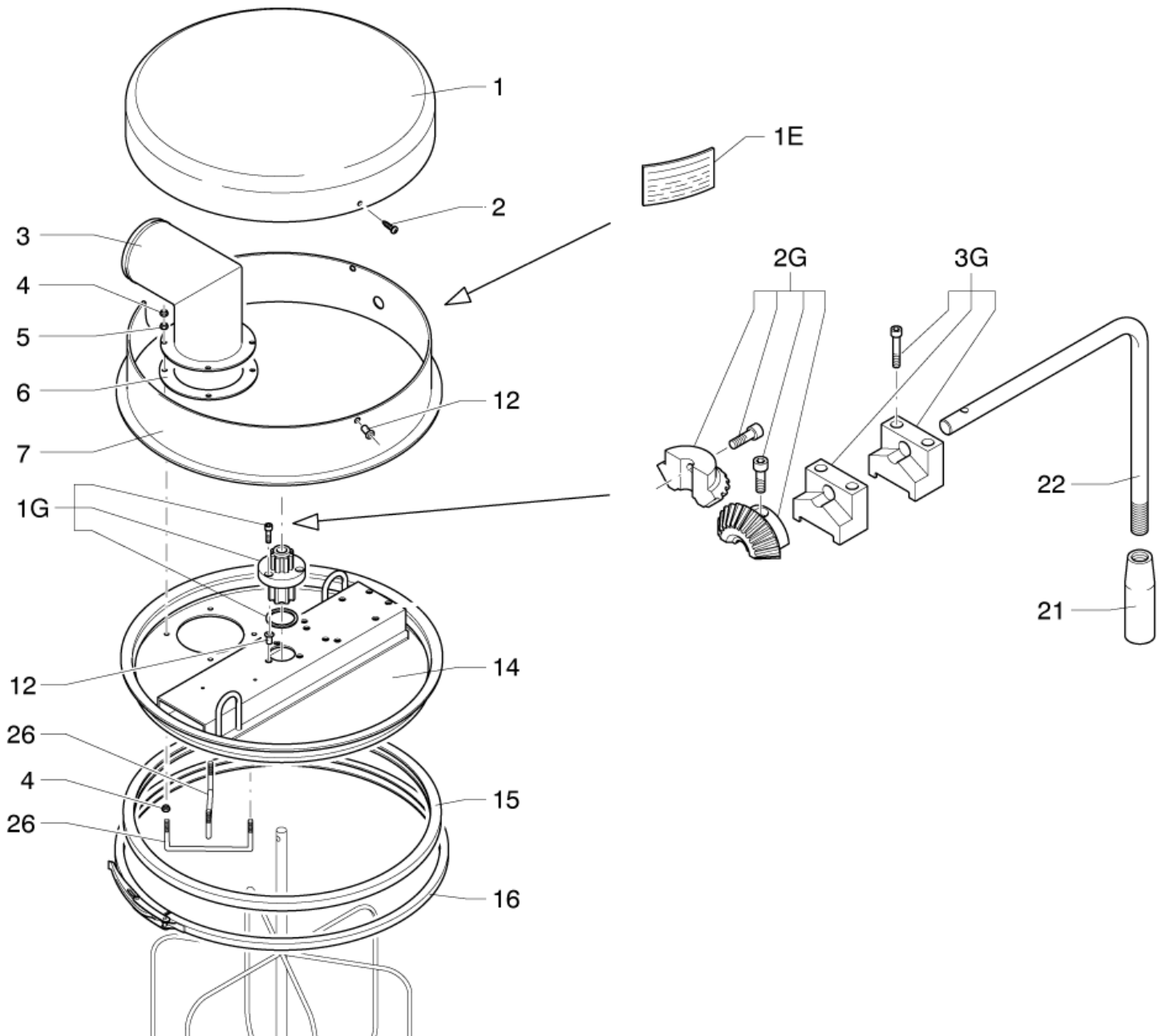
Shaker unit

3508

26-11-2008

Part List ID 350813

15



Shaker unit

3508

26-11-2008

Part List ID
350813

16

Pos	Part no.	Qty	Description	EAN
1	Z8 12368	1	CAP D460 FE MOD. 3308	
2		3	NOTE COMMENT	Screw M6x16 UNI 7687 DIN 7985 5701715456
3	Z8 32498	1	COLLECTOR D100	
4		1	NOTE COMMENT	Nut M6 UNI 5588 DIN 934 5701715456
5		4	NOTE COMMENT	Nut M6 UNI 7474 DIN 985 5701715456
6	Z8 17056	1	INLET SEAL D100	
7	Z8 11087	1	COLLAR D460 3308	
12	Z8 38036	10	THREADED INSERT M6	
14	Z8 35088	1	FILTER HOLDER-BEAM D460 3308	
15	Z8 17026	1	FILTER SEAL D460 BLACK	
16	Z8 36191	1	BAND LOCK D.460	
1E	40000568	1	KIT LABELS	
1G	40000551	1	FILTER SHAKER BUSH KIT	
21	Z8 40813	1	HANDGRIP	
22	Z8 14544	1	LEVER FOR FILTERSHAKER D460	
26	Z8 18969	2	SPACER FOR FILTER 3308	
2G	40000552	1	PINION KIT	
3G	40000553	1	FILTER SHAKER SUPPORT KIT	

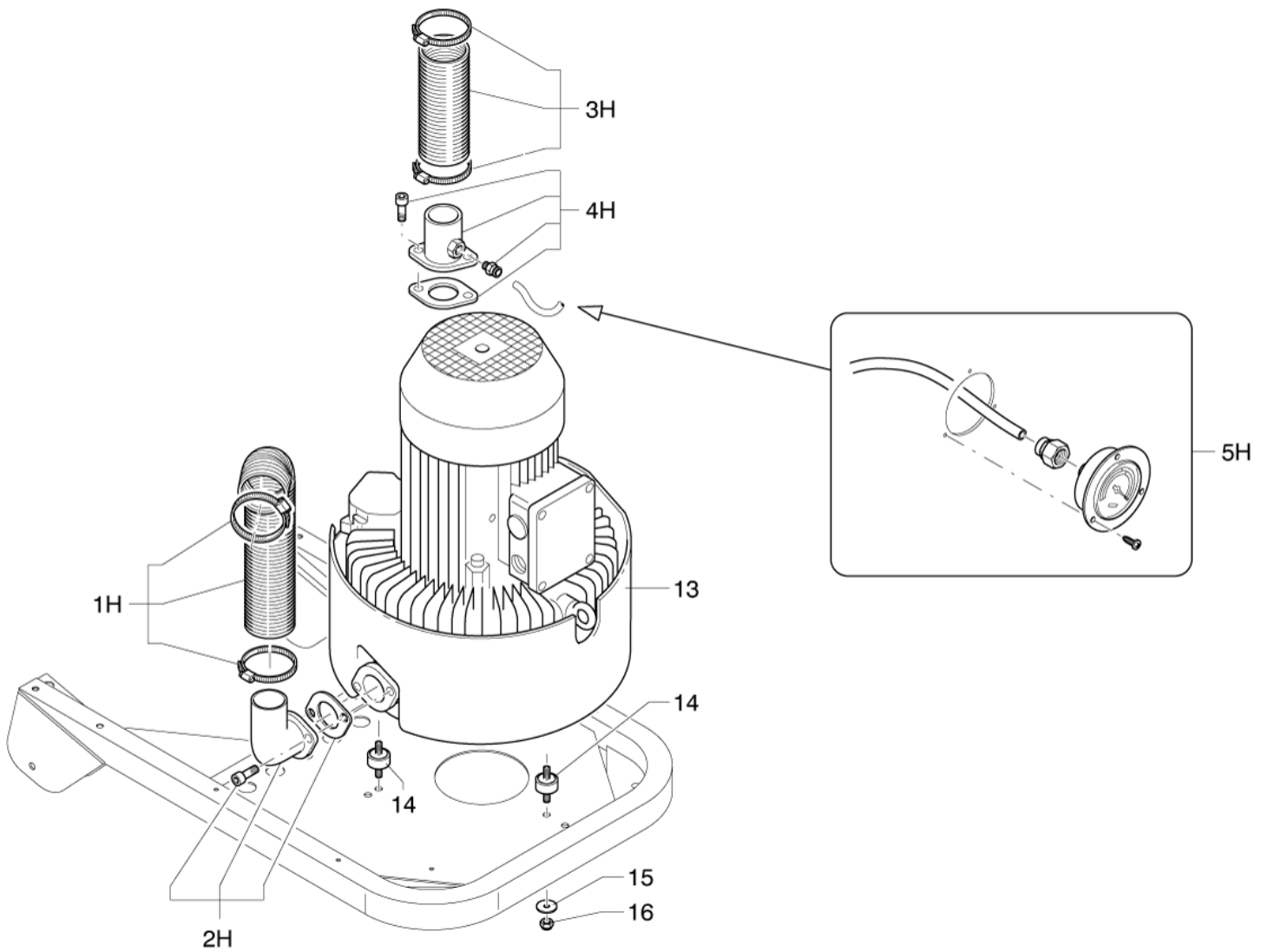
Suction unit

3508

26-11-2008

Part List ID 350815

17



Suction unit

3508

26-11-2008

Part List ID

350815

18

Pos	Part no.	Qty	Description	EAN
13	Z4 55055	1	BLOWER KW 4 V230/400/50	
14	Z8 40068	3	PAD 40X30	
15		3	NOTE COMMENT	Washer D.10x30 UNI 6593 DIN 9021 5701715456
16		3	NOTE COMMENT	Nut M10 UNI 7474 DIN 985 5701715456
1H	40000557	1	KIT BLOWING TUBE	
2H	40000622	1	KIT BLOWING 90 CONNECTION D70	
3H	40000572	1	KIT SUCTION TUBE	
4H	40000558	1	KIT SUCTION CONNECTION D70	
5H	40000569	1	KIT VACUUM GAUGE 6000	

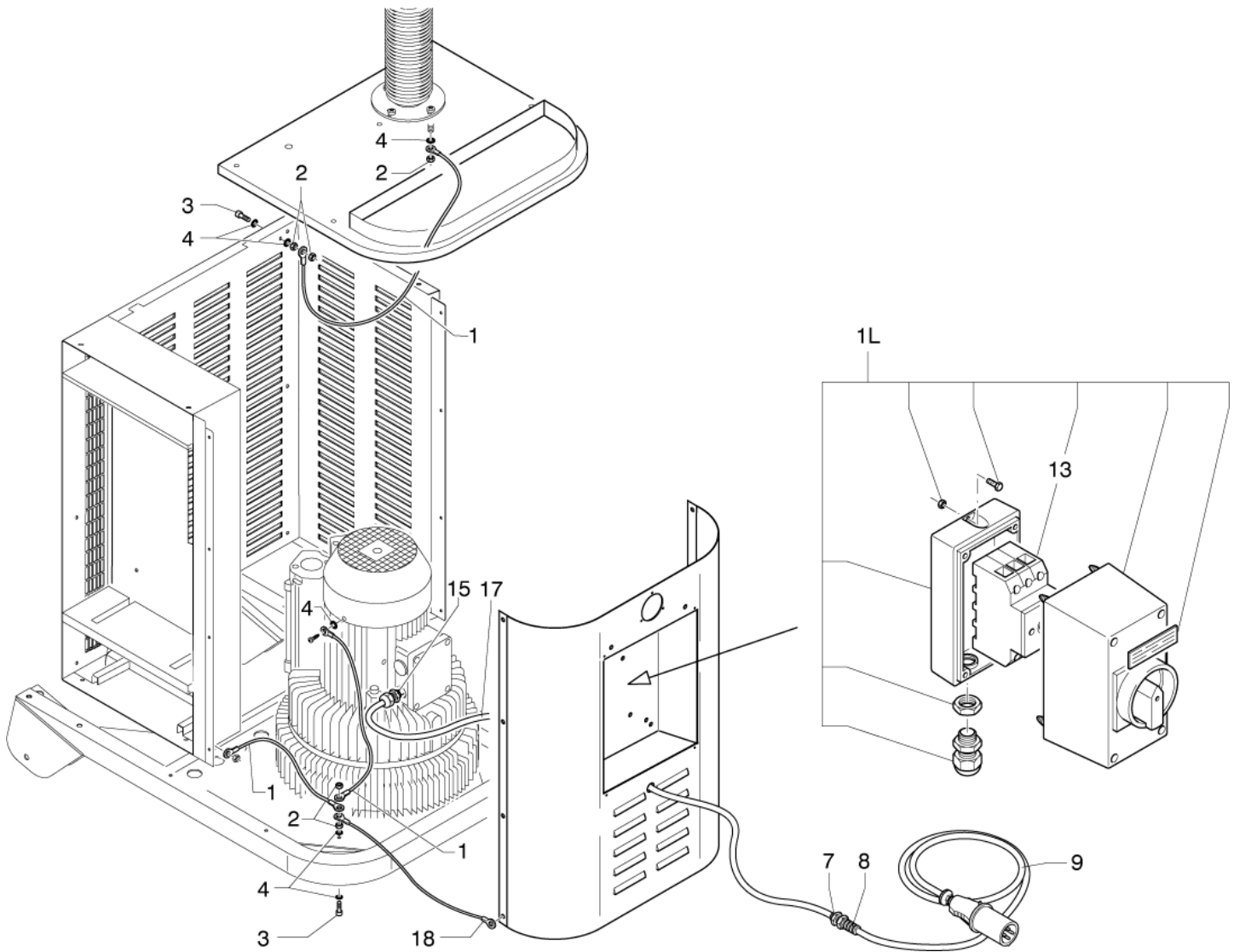
Electric system (basic model)

3508

26-11-2008

Part List ID 350817

19



Electric system (basic model)

3508

26-11-2008

Part List ID

350817

20

Pos	Part no.	Qty	Description	EAN
1	Z8 391055	1	KIT GROUND CABLES MOTOR BOX	
2		7	NOTE COMMENT	Nut M6 UNI 5588 DIN 934 5701715456
3		3	NOTE COMMENT	Screw M6x25 UNI 5739 DIN 933 5701715456
4		7	NOTE COMMENT	Washer D.6 UNI 6592 DIN 433 5701715456
5		1	NOTE COMMENT	Washer D.8 DIN 6798A 5701715456
6		1	NOTE COMMENT	Screw M8x16 UNI 5931 DIN 912 5701715456
7	Z8 39568	1	METAL RING NUT PG16	
8	Z8 39060	1	SPRING CABLE PRESS PG16	
9	Z8 39937	1	POWER S. CABLE 4G2.5 NEOPR.SP.	
13	Z8 39916	1	OVERL.CUTOOUT 9-12.5 A SIRIUS S0	
15	Z8 39794	1	CABLE PRESS M32X1.5	
17	Z8 391079	1	MOTOR CONNECTION CABLE 4G2.5	
18	Z8 39669	1	EARTH CABLE MM 700	
1L	40000573	1	ELECTRICAL KIT	

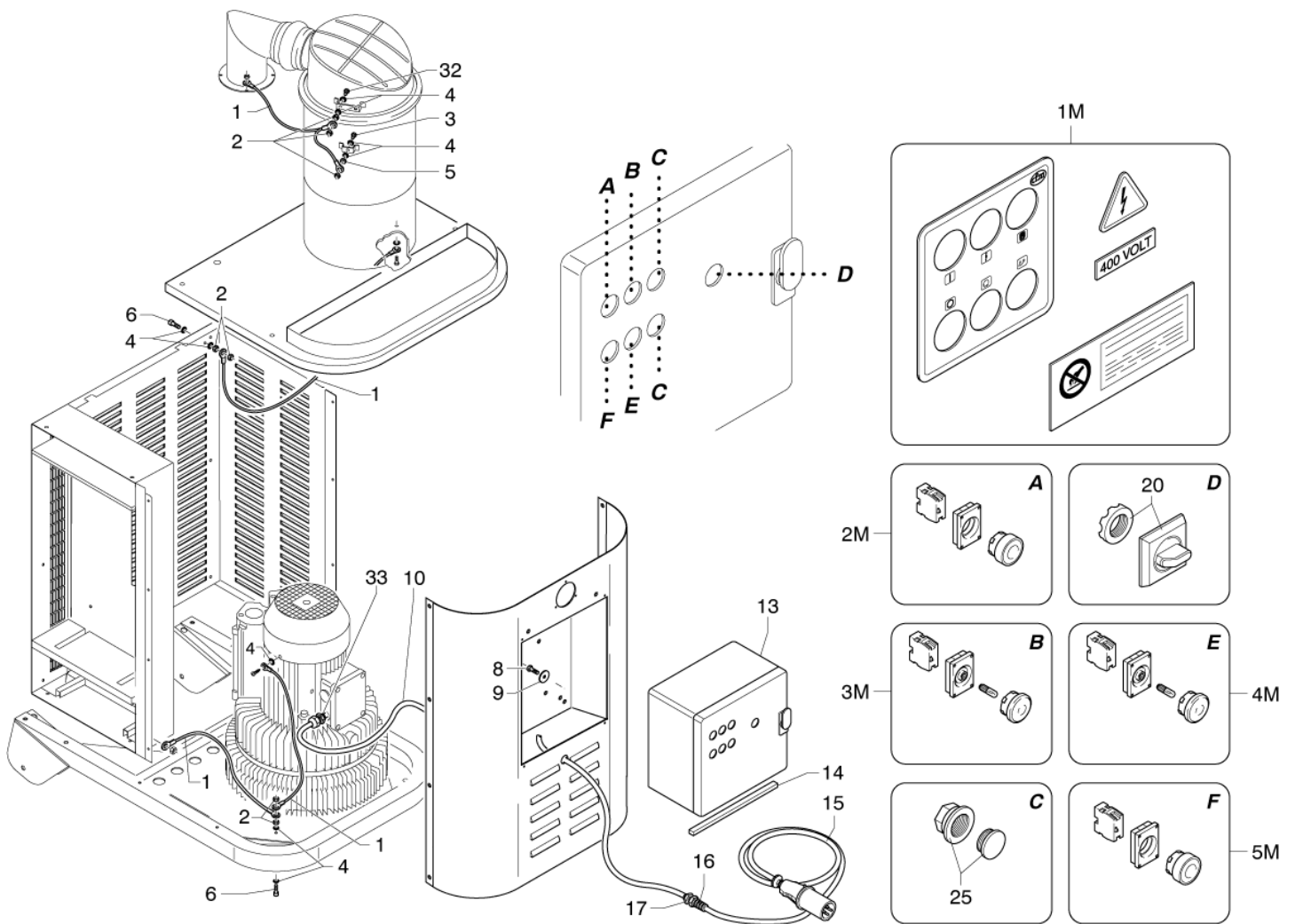
Electric system (L model)

3508

26-11-2008

Part List ID 350819

21



Electric system (L model)

3508

26-11-2008

Part List ID
350819

22

Pos	Part no.	Qty	Description	EAN
1	Z8 391055	1	KIT GROUND CABLES MOTOR BOX	
2		9	NOTE COMMENT	Nut M6 UNI 5588 DIN 934 5701715456
3		1	NOTE COMMENT	Screw M6x10 UNI 5739 DIN 933 5701715456
4		10	NOTE COMMENT	Washer D.6 DIN 6798A 5701715456
5		1	NOTE COMMENT	Washer D.6 UNI 6592 DIN 433 5701715456
6		3	NOTE COMMENT	Screw M6x25 UNI 5739 DIN 933 5701715456
7	Z8 39981	1	FAIRLEAD RUBBERISED D16	
8		4	NOTE COMMENT	Screw M8x20 UNI 5931 DIN 912 5701715456
9		4	NOTE COMMENT	Washer D.8x24 UNI 6593 DIN 9021 5701715456
10	Z8 391079	1	MOTOR CONNECTION CABLE 4G2.5	
13	Z8 41591	1	E.B. KW4 PS IP55 MOD.3508	
14	40000765	1	SEAL	
15	Z8 39937	1	POWER S. CABLE 4G2.5 NEOPR.SP.	
16	Z8 39060	1	SPRING CABLE PRESS PG16	
17	Z8 39568	1	METAL RING NUT PG16	
1M	40000561	1	ELECTRIC BOARD LABELS KIT	
20	Z8 39924	1	CONT.TRANSM. OVERL.CUTOUT SIE SIRIUS	
25	Z8 39522	2	PLUG CONTROL PLATE 22MM	
2M	40000562	1	GREEN BUTTON KIT	
32		1	NOTE COMMENT	Screw M6x16 UNI 5739 DIN 933 5701715456
33	Z8 39794	1	CABLE PRESS M32X1.5	
3M	40000563	1	WHITE INDICATOR KIT	
4M	40000564	1	YELLOW INDICATOR KIT	
5M	40000565	1	RED BUTTON KIT	

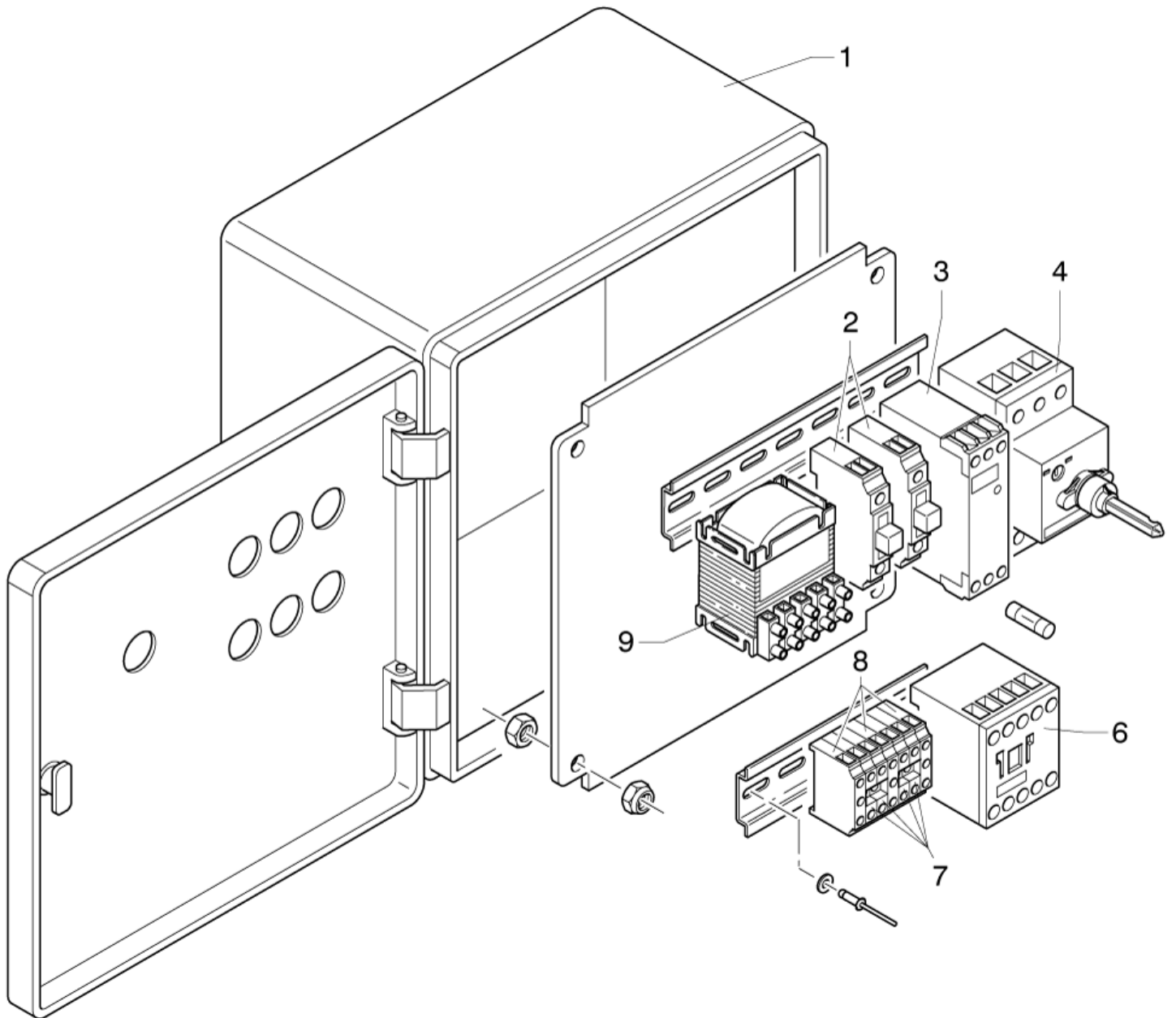
Electric board

3508

26-11-2008

Part List ID 350821

23



Electric board

3508

26-11-2008

Part List ID 350821

24

Pos	Part no.	Qty	Description	EAN
1	Z8 391031	1	BOX 300X300X160 DRILLED DWG. IP55	
2	Z8 39244	2	FUSE HOLDER CLAMP S 1,5MMQ 5X20	
3	Z8 391120	1	RELAY PHASE SEQUENCE 180-600V	
4	Z8 39916	1	OVERL.CUTOUT 9-12.5 A SIRIUS S0	
6	Z8 39281	1	REM.SWITCH KW4 24VAC 1NO SIRIUS S00	
7	Z8 39120	4	LINE CLAMP 6MMQ S	
8	Z8 39121	3	GROUND CLAMP 6MMQ S	
9	Z8 391050	1	TRANSFORMER 20VA 400-230/24V FUSE 1A TO	

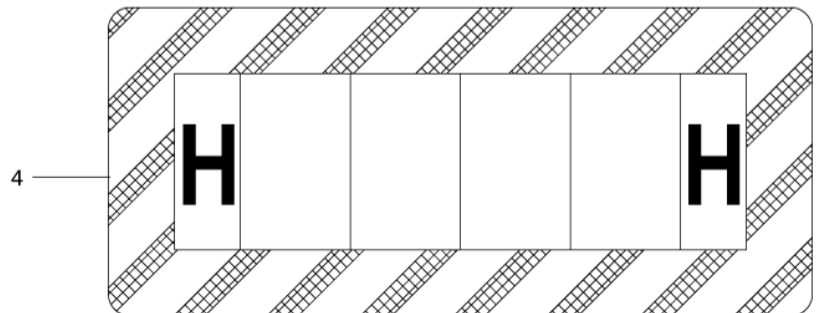
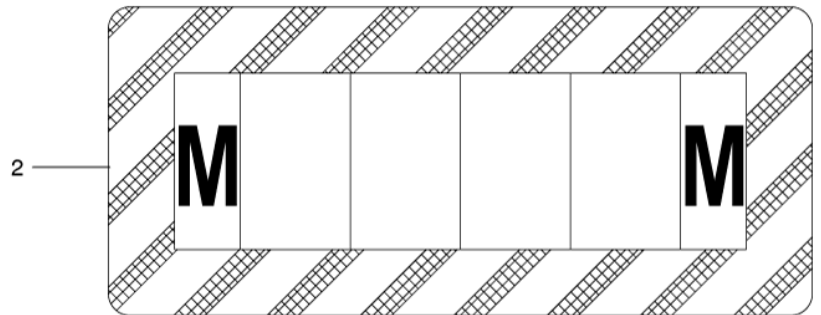
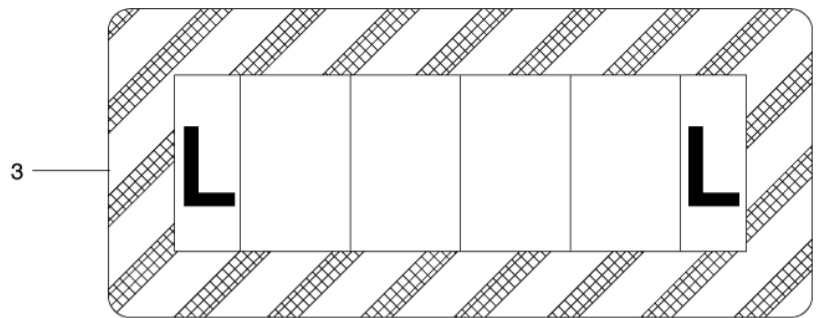
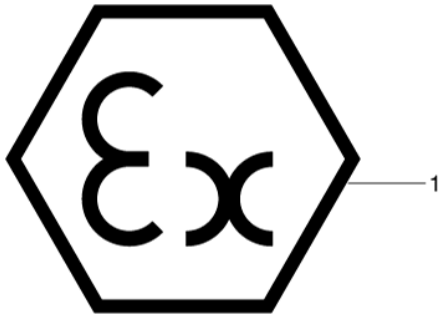
L/M/H & Atex label

3508

26-11-2008

Part List ID 350823

25



L/M/H & Atex label

3508

26-11-2008

Part List ID 350823

26

Pos	Part no.	Qty	Description	EAN
1		1	LABEL EX	
2		1	LABEL CATEGORY "M"	
3	Z8 17550	1	LABEL CATEGORY L	
4		1	LABEL CATEGORY H	