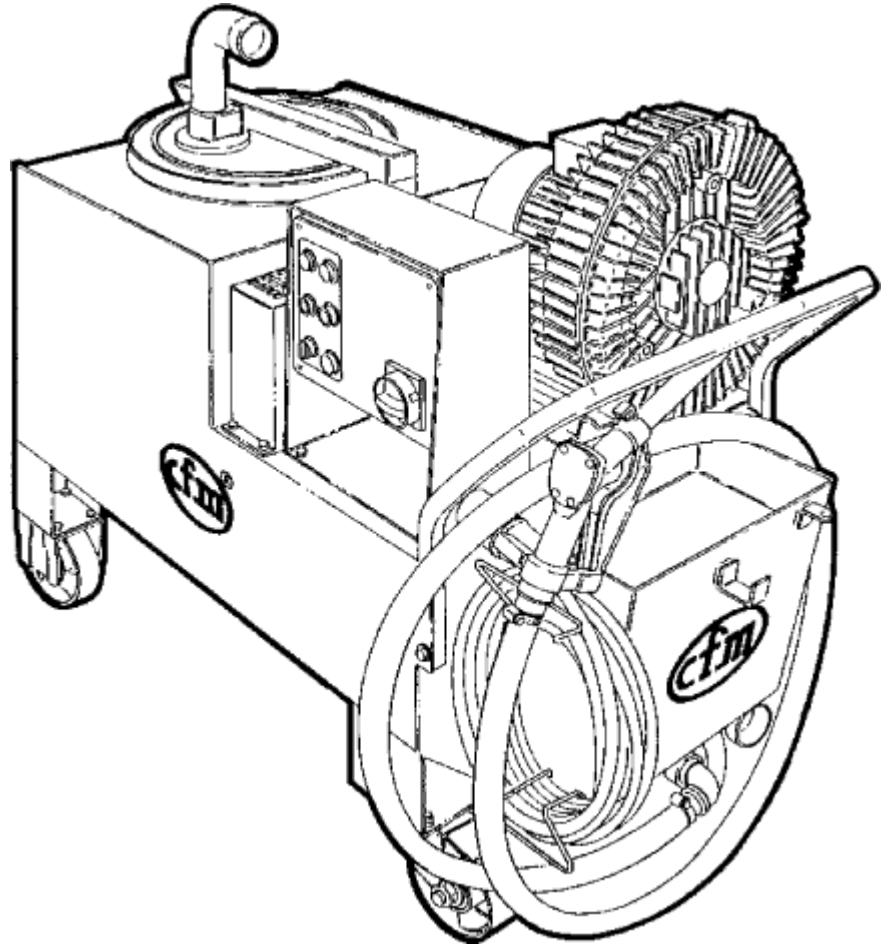


# OIL 220

Model:  
OIL 220



Part List US-English

08-02-2015

# Table of Contents

OIL 220

<b>Frame</b>	<b>3</b>
<b>Container unit</b>	<b>6</b>
<b>Liquid discharging system</b>	<b>8</b>
<b>Suction unit</b>	<b>10</b>
<b>Intake unit</b>	<b>12</b>
<b>Electric board</b>	<b>14</b>

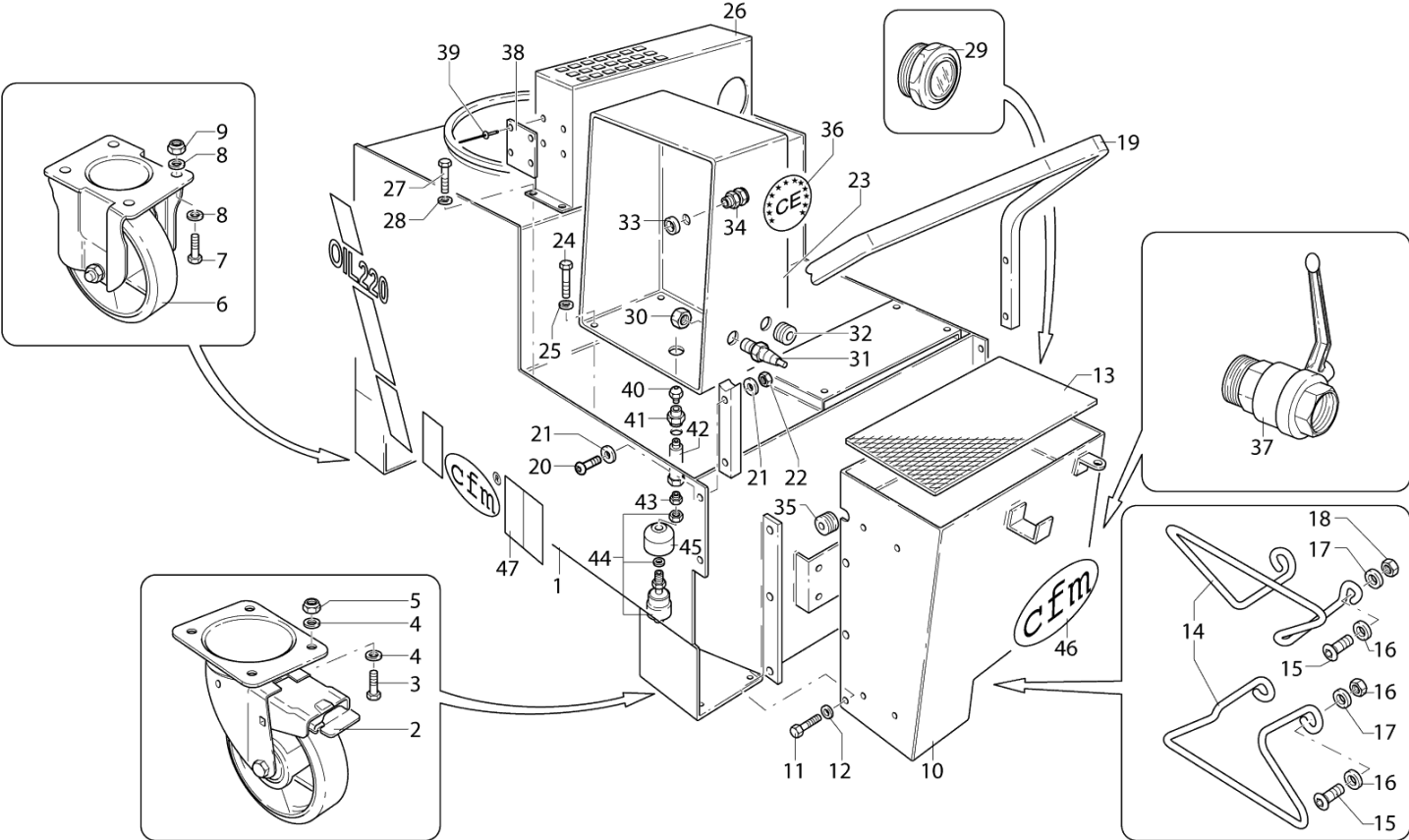
# Frame

OIL 220

08-02-2015

Part List ID  
OIL22002

3



# Frame

OIL 220

08-02-2015

Part List ID  
OIL22002

4

Pos	Part no.	Qty	Description	
1	Z8 30224	1	TANK L200 MOD.OIL 220	
2	Z8 40718	2	PIVOTING WHEEL D150 POLYURETHAN + BRAKE	
3	666666	4	NOTE COMMENT	UNI 5739
4	666666	8	NOTE COMMENT	UNI 6592
5	666666	4	NOTE COMMENT	UNI7474
6	Z8 40717	2	FIXED WHEEL D150 POLYURETHAN	
7	666666	4	NOTE COMMENT	UNI 5739
8	666666	8	NOTE COMMENT	UNI 6992
9	666666	4	NOTE COMMENT	UNI 7474
10	Z8 16249	1	PROTECTION PUMP OIL 220	
11	666666	5	NOTE COMMENT	UNI 5739
12	666666	5	NOTE COMMENT	UNI 6592
13	Z8 17524	1	ACCESSORIES BELT OIL 220	
14	Z8 16189	2	CABLE HOLDER MODEL T37	
15	666666	4	NOTE COMMENT	ISO 7380
16	666666	4	NOTE COMMENT	UNI 6593
17	666666	4	NOTE COMMENT	UNI 6592
18	666666	4	NOTE COMMENT	UNI 7474
19	Z8 18838	1	HANDLE MODEL OIL 220	
20	666666	4	NOTE COMMENT	UNI 7380
21	666666	8	NOTE COMMENT	UNI 6593
22	666666	4	NOTE COMMENT	UNI 7474
23	Z8 16250	1	SUPPORT BOARD OIL 220	
24	666666	4	NOTE COMMENT	UNI 5739
25	666666	4	NOTE COMMENT	UNI 6593
26	Z8 32428	1	MUFFLER OIL 220	
27	666666	4	NOTE COMMENT	UNI 5739
28	666666	4	NOTE COMMENT	UNI 6593
29	Z8 40020	1	INSP.WINDOW D50	
30	Z8 39568	1	METAL RING NUT PG16	
31	Z8 39060	1	CABLE GLAND PG16 PA SPRING	
32	Z8 39038	1	PLATE PASS D15	
33	Z8 39568	1	METAL RING NUT PG16	
34	Z8 39055	1	CABLE GLAND PG16 PA	
35	Z8 39038	1	PLATE PASS D15	
36	Z8 17349	1	CE MARK LABEL	
37	Z8 40304	1	BALL COCK 2 F/F	
38	Z8 17015	1	3-PHASE PLATE ALUMINIUM	
40	Z8 39819	1	CABLE GLAND PG7 PA	
41	Z8 40729	1	SLEEVE 1/4 F/F	
42	Z58 40148	1	STUD FOR A128XR 1/4M-F	
44	Z8 39545	1	SENS.MAGN.LIQ. D28 FLOATER NO-NC	
45	Z8 12286	1	CAP PROTECTION PROBE	

# Frame

OIL 220

08-02-2015

Part List ID  
OIL22002

5

Pos	Part no.	Qty	Description
46	Z8 17341	1	LABEL CFM MEDIUM WHITE

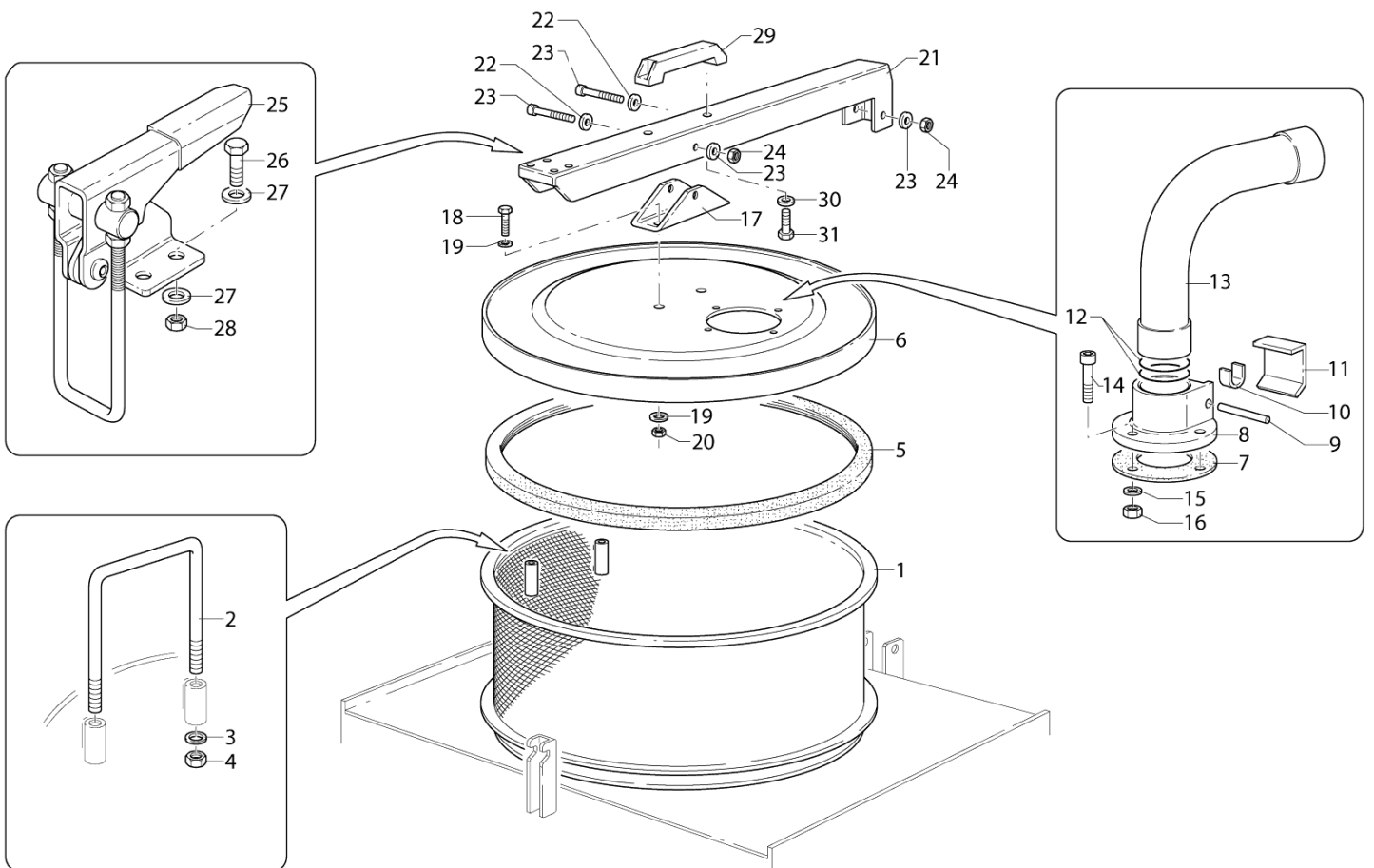
# Container unit

OIL 220

08-02-2015

Part List ID  
OIL22004

6



# Container unit

OIL 220

08-02-2015

Part List ID  
OIL22004

7

Pos	Part no.	Qty	Description	
1	Z8 30225	1	BASKET x CONTAINER OIL 220	
2	Z8 14504	2	BASKET HANDLE OIL 220	
3	666666	4	NOTE COMMENT	UNI 6592
4	666666	4	NOTE COMMENT	UNI 7474
5	Z8 17458	1	FILTER SEAL D360 OIL TIGHT	
6	Z8 12329	1	FLAT CAP D360 OIL 220	
7	Z8 17005	1	INLET SEAL D50	
9	Z8 38020	2	ELASTIC PIN 3X16	
10	Z8 13010	1	SPRING INLET D50	
11	Z8 32543	1	SS BUTTONFOR INLET D50	
12	Z8 40720	2	O.R. x OIL 220	
13	ZS58FI32137	1	CURVED CONNECTOR D50 900 OIL	
14	666666	4	NOTE COMMENT	UNI 5931
15	666666	4	NOTE COMMENT	UNI 6592
16	666666	4	NOTE COMMENT	UNI 7474
17	Z8 14505	1	HINGE FOR CAP OIL 220	
18	666666	2	NOTE COMMENT	ISO 7380
19	666666	4	NOTE COMMENT	UNI 6593
20	666666	2	NOTE COMMENT	UNI 7474
21	Z8 18837	1	CROSSP. HINGE HOLDER OIL 220	
22	666666	2	NOTE COMMENT	ISO 7380
23	666666	4	NOTE COMMENT	UNI 6592
24	666666	4	NOTE COMMENT	UNI 7474
25	Z8 40590	1	LEVER LOCK FOR OIL 220	
26	666666	4	NOTE COMMENT	UNI 5739
27	666666	8	NOTE COMMENT	UNI 6592
28	666666	4	NOTE COMMENT	UNI 7474
29	Z8 40205	1	HANDGRIP BACHELITE CONTAINER	
30	666666	2	NOTE COMMENT	UNI 6592
31	666666	2	NOTE COMMENT	UNI 5739

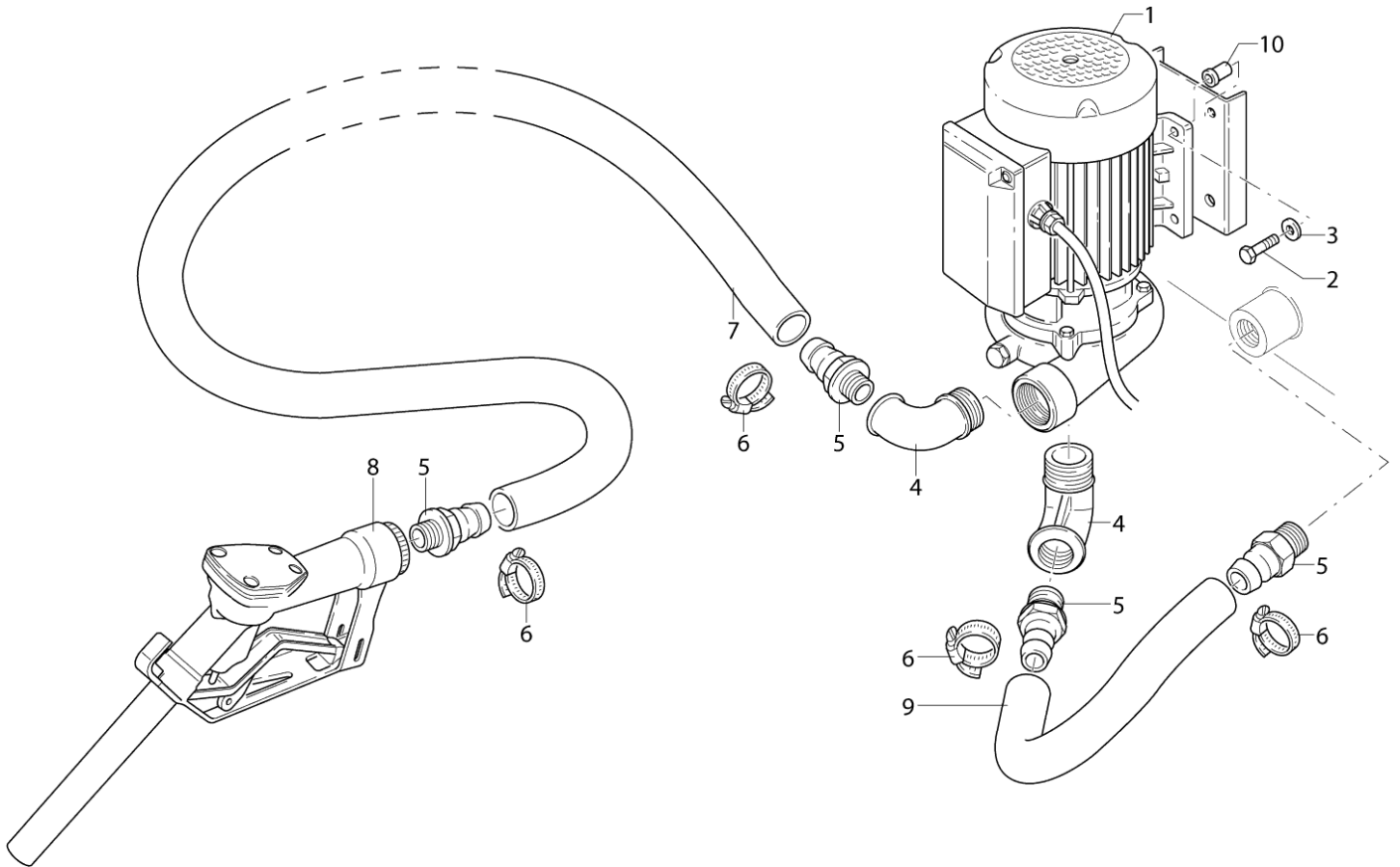
# Liquid discharging system

OIL 220

08-02-2015

Part List ID  
OIL22006

8





# Liquid discharging system

OIL 220

08-02-2015

Part List ID  
OIL22006

9

Pos	Part no.	Qty	Description
1	Z8 56024	1	3-PH PUMP KW 0.37 x OIL220
2	666666	4	NOTE COMMENT UNI 5739
3	666666	4	NOTE COMMENT UNI 6992
4	Z8 40719	2	ELBOW 1 MF ZINC PLT.
5	Z8 40256	4	TUBE HOLDER 1 D25
6	Z8 40054	4	TIE D25-38 INOX
7	Z8 24133	1	TUBE D25 OILTIGHT TRANSPARENT
8	Z8 40252	1	EJECTION GUN MOD.OIL440
9	Z8 24133	1	TUBE D25 OILTIGHT TRANSPARENT
10	Z8 38036	4	THREADED INSERT M6

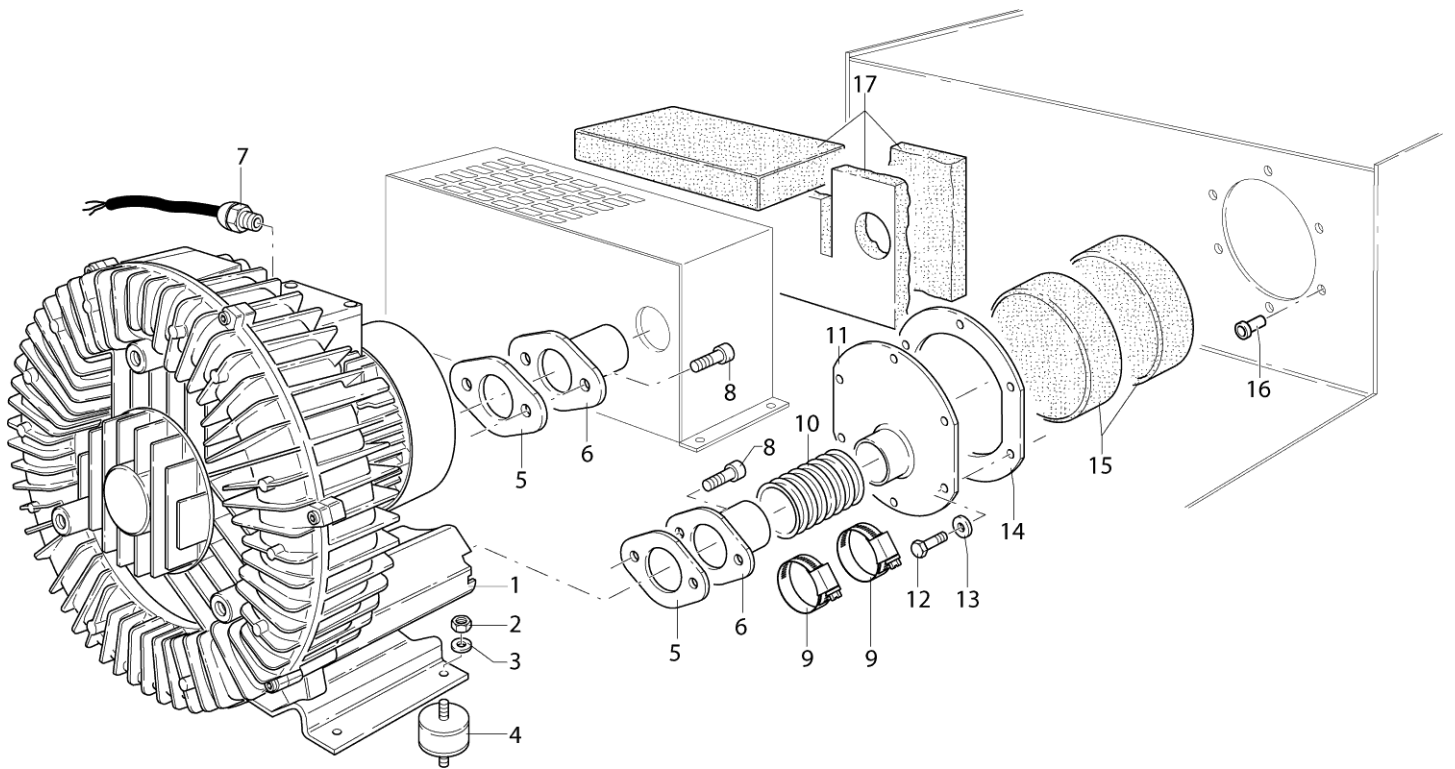
# Suction unit

OIL 220

08-02-2015

Part List ID  
OIL22008

10



# Suction unit

OIL 220

08-02-2015

Part List ID  
OIL22008

11

Pos	Part no.	Qty	Description
1	Z4 55030 HP 3	1	BLOWER KW 2.2 V230/400/50
2	666666	4	NOTE COMMENT UNI 7474
3	666666	4	NOTE COMMENT UNI 6592
4	Z8 40068	4	PAD 40x30
5	Z8 17255	2	SEAL X CONNECTIONS SIEMENS
6	Z8 32312	2	CONNECTION BLOWING D.50
7	Z8 39055	1	CABLE GLAND PG16 PA
8	666666	4	NOTE COMMENT UNI 5931
9	Z8 40040	2	TIE D40-60
10	Z7 24111	1	TUBE POLYURETHAN D50 IN METERS
11	Z8 14503	1	COVER SAFETY FILTER OIL 220
12	666666	6	NOTE COMMENT UNI 5739
13	666666	6	NOTE COMMENT UNI 6593
14	Z8 17525	1	SEAL SAFETY FILTER OIL 220
15	Z8 17321	2	FILT.DISCD UNDER MOTOR M.96
16	Z8 38036	6	THREADED INSERT M6
17	Z8 17516	1	KIT SOUNDPROOF FOR OIL 220

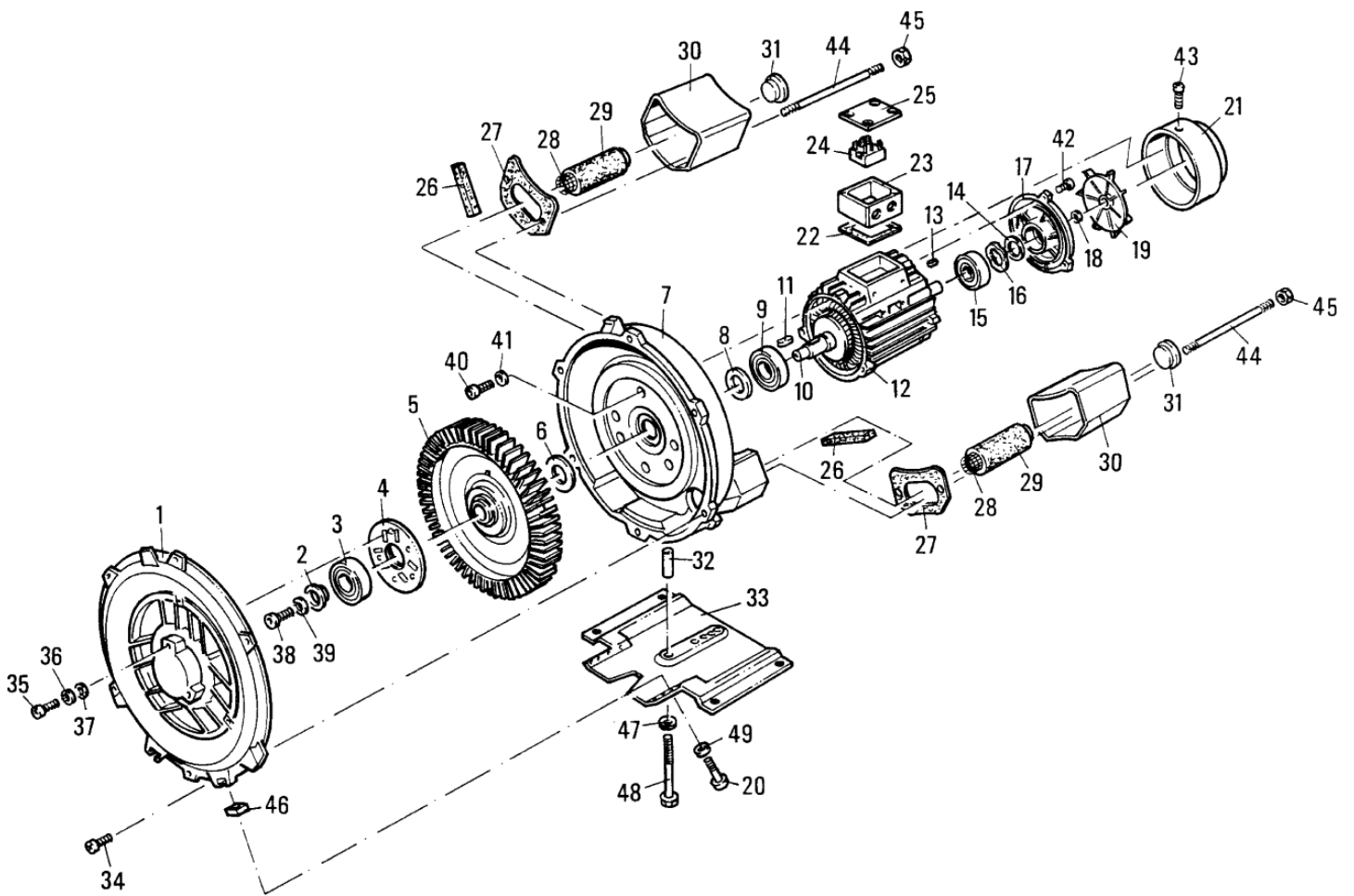
# Intake unit

OIL 220

08-02-2015

Part List ID  
OIL22010

12



# Intake unit

OIL 220

08-02-2015

Part List ID  
OIL22010

13

Pos	Part no.	Qty	Description
0	Z8 51847	1	MOTOR MOD. 55030 COMPLETE
1	Z8 51013	1	BOTTOM CAP 55030/55055
3	Z8 51504	1	BEARING 55030
5	Z8 51046	1	IMPELLER MOD.55030/55055
7	Z8 51079	1	IMPELLER MODEL 55030
19	Z8 51331	1	COOLING FAN 55020/55030
21	Z8 51204	1	COVER MOTOR COOLING FAN 3307/6
27	Z8 51425	2	SEAL MUFFLER 55020
29	Z8 51362	2	SOUNDPROOF + MESH55020-30-55
37	Z8 51541	4	RING MOD.55055-55055W

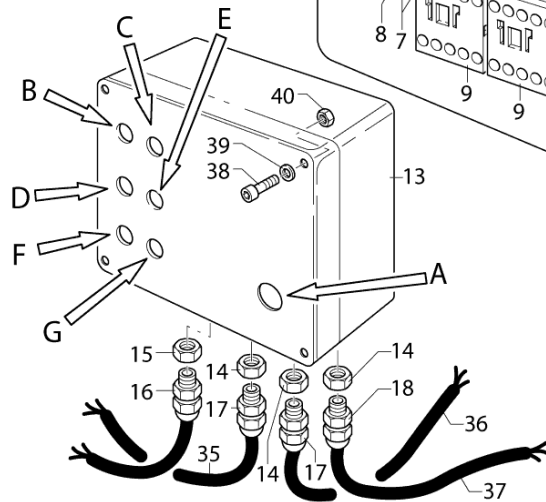
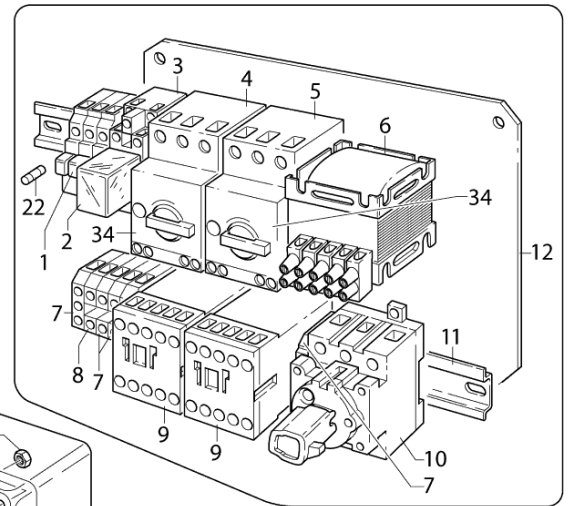
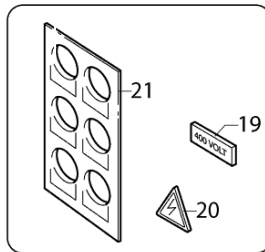
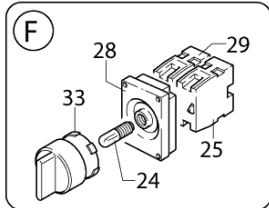
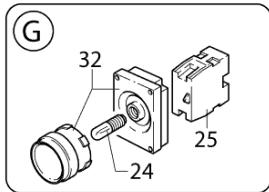
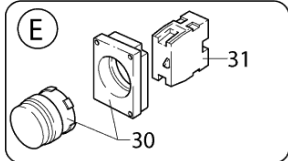
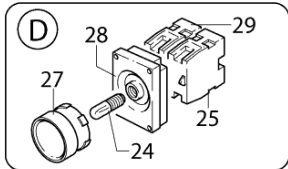
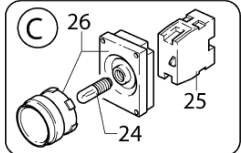
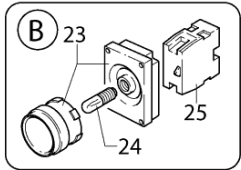
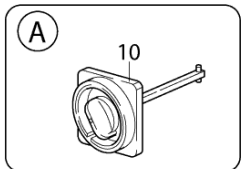
# Electric board

OIL 220

08-02-2015

Part List ID  
OIL22012

14



# Electric board

OIL 220

08-02-2015

Part List ID  
OIL22012

15

Pos	Part no.	Qty	Description
0	Z8 41290	1	E.B. KW2.2 MOD.OIL220 OLD
1	Z8 39244	3	TERMINAL FUSEHOLDER 1.5mmq S 5X20
2	Z8 39259	1	RELAY 24VAC 2 EXCHANGES MY2
3	Z8 39118	1	BASE x RELAY 2 EXCHANGES PYF
4	Z8 39679	1	CIRCUIT BREAKER KLOCK. 4- 6.3 A PKZM0
5	Z8 39676	1	CIRCUIT BREAKER KLOCK. 1-1.6 A PKZM0
6	Z8 39234	1	TRANSFORMER 20VA 400/24V
7	Z8 39121	4	TERMINAL EARTH 6MMQ S
8	Z8 39120	2	TERMINAL LINE 6MMQ S
9	Z8 39281	2	CONTACTOR KW4 24VAC 1NO SIRIUS S00
10	Z8 39556	1	MAIN SWITCH 32A IP65 S
11	Z8 39133	2	GUIDE OMEGA TS 35x7.5
13	Z8 391165	1	BOX 270x220x125 IP55 PVC BxHxP
14	Z8 39568	3	METAL RING NUT PG16
15	Z8 39565	1	METAL RING NUT PG7
16	Z8 39819	1	CABLE GLAND PG7 PA
17	Z8 39055	2	CABLE GLAND PG16 PA
18	Z8 39055	1	CABLE GLAND PG16 PA
19	Z8 17089	1	LABEL 400V
20	Z8 17361	1	LABEL VOLTAGE ON
21	Z8 17362	1	CONTROLS LABEL OIL 220
22	Z8 39539	3	FUSE 2A 5x20 GLASS RAPID
23	Z8 39111	1	PILOT LIGHT WHITE D22 3SB3
24	Z8 39114	5	LAMP BA9 V24
25	Z8 39113	5	LAMP HOLDER BA9 3SB3
26	Z8 39112	1	PILOT LIGHT RED D22 3SB3
28	Z8 39795	2	SUPPORT x 3 BLOCK.CONT.LAMPHOL
29	Z8 39108	2	CONTACT NO PUSH B. 3SB3
30	Z8 39109	1	PUSHBUTTON RED 3SB3
31	Z8 39110	2	CONTACT NC PUSH B. 3SB3
32	Z8 39314	1	PILOT LIGHT YELLOW D22 3SB3
33	Z8 39719	1	SELECTOR LIGHTNING GREEN 2 POSITIONS
34	Z8 39684	2	CONTACTS AUX OVERL.CUTOUT KLOC
35	Z8 39036	1	CABLE 4G2.5 NE. IN M
36	Z8 39797	1	CABLE 4G1.5 NEOPR. AL M
37	Z8 39025	1	CABLE SUP. 4G2.5 NE. 9M SP16A MOD.3507