

**HOBBY
PROFESSIONAL
DYNAMIC
COMPACT 500
ACTIVE
FORCE
PRO / AQUA**

**Nilfisk
ALTO**
Why Compromise

**Tilbehør
Accessories
Zubehör
Accessoires**

Contents

Spray handle with hose C100.2, C120.1, E130.1, E140.1	3
Spray handle with hose C100.0, C100,1	4
Spray handle with hose ACTIVE, FORCE, DYNAMIC 00.06 ⇒.....	5
Spray handle with hose E 135.1, E 145.1, P 130.1, P 150.1, P 160.1, E125, E135, P120, P140, P150, PRO, DYNAMIC X-tra, DYNAMIC ⇒ 00.06 	6
Foam Sprayer PRO, DYNAMIC X-tra, DYNAMIC ⇒ 00.06 	6
Hose P 130.1, P 150.1, P 160.1, POSEIDON 2, E125, E135, P120, P140, P150, PRO, DYNAMIC X-tra, DYNAMIC ⇒ 00.06 	7
Spray handle Hobby (P040), P415), P403), Professional	8
Foam sprayer Hobby, Professional	9
Hose Hobby, Professional.....	9
Spray handle & accessories ACTIVE	10
Spray handle & accessories COMPACT 500	11
Spray handle & accessories PRO special.....	12
Extention hose PRO, DYNAMIC ⇒ 00.06 , HOBBY, PROFESSIONAL	13
Extention hose DYNAMIC X-tra.....	13
Car brush	14
Washing brush	14
Rotary brush	15
Garden brush, Rim brush	16
Underchassis spray lance	16
Click & Clean	17
Patio Cleaner	18
TORNADO DYNAMIC / PRO	19
TORNADO HOBBY / PROFESSIONAL	20
POWERSPEED DYNAMIC / PRO	21
POWERSPEED Hobby / Professional.....	22
Basic spray lance.....	23
MULTISPEED.....	24
Drain & Tube Cleaner	25
Exension tube	26
VSB system	27
External injector.....	28-29
Water suction system	30
Hose reel PRO.....	31
Trolley Hobby 1500 / ACTIVE	32
Trolley	32
Trolley 1994.....	33

Recommended stock parts

A-parts.

Warring parts with a lifetime of 300-600 hours for proff or 400-800 hours for industrial machines

The recommended stock is: number of machines x 1,2 x years.

These parts are typical, water seals and valves.

B-parts.

Warring parts with a lifetime of 500-800 hours for proff and 800 – 1200 hours for industrial machines

The recommended stock is: number of machines x 0,6 x years.

These parts are typical, by-pass valves. Safety valves. Seal kit.

C-parts.

Warring parts with a lifetime of 800-1000 hours for proff or 1200-1500 hours for industrial machines

The recommended stock is: number of machines x 0,4 x years.

These parts are typical. wobble disc bearings. Electric parts. Hoses.

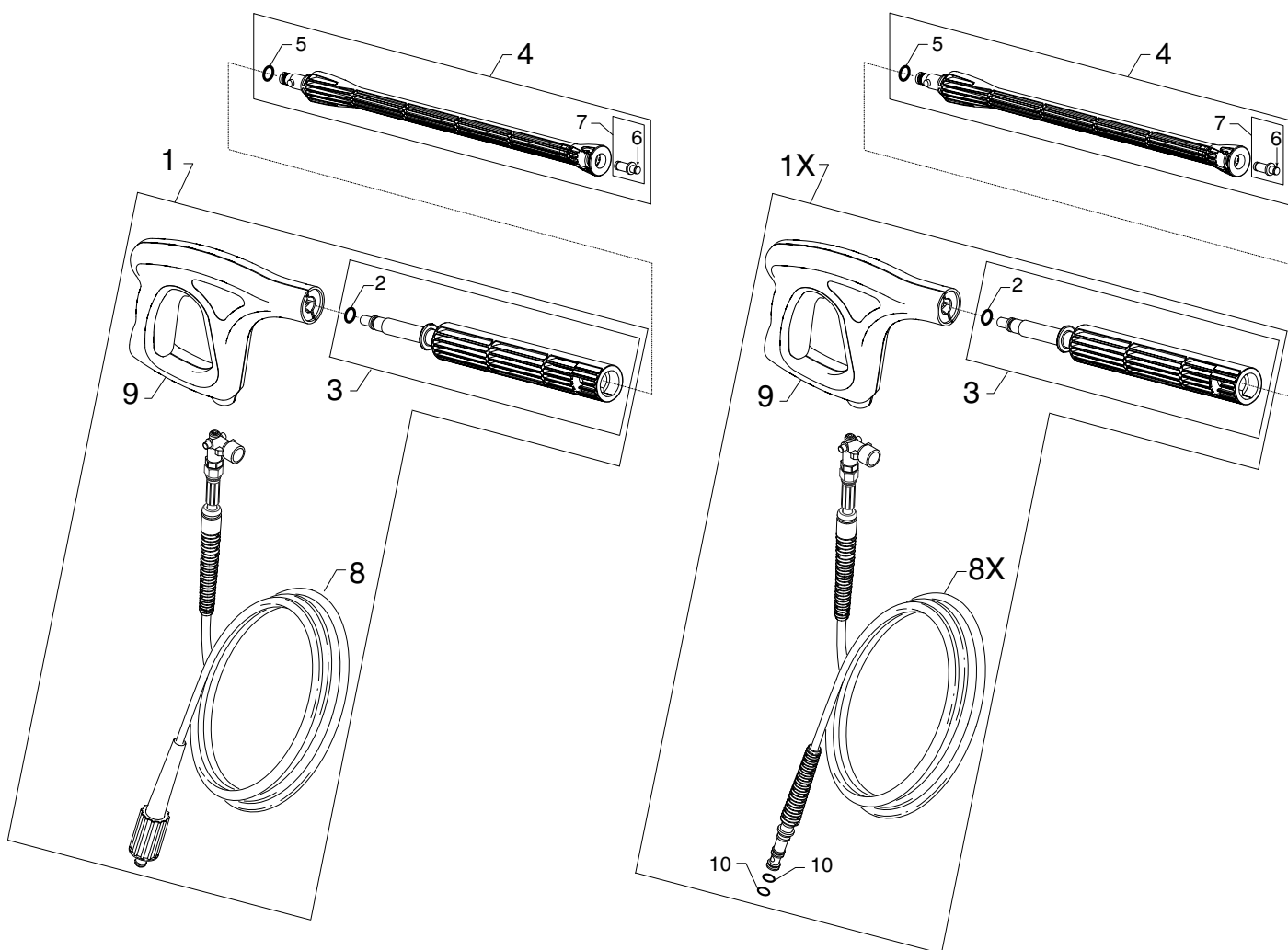
D-parts.

Are parts witch is not exactly warring parts but "just in case parts" witch are important to run the Machine.

The recommended stock is: number of machines x 0,1 x years.

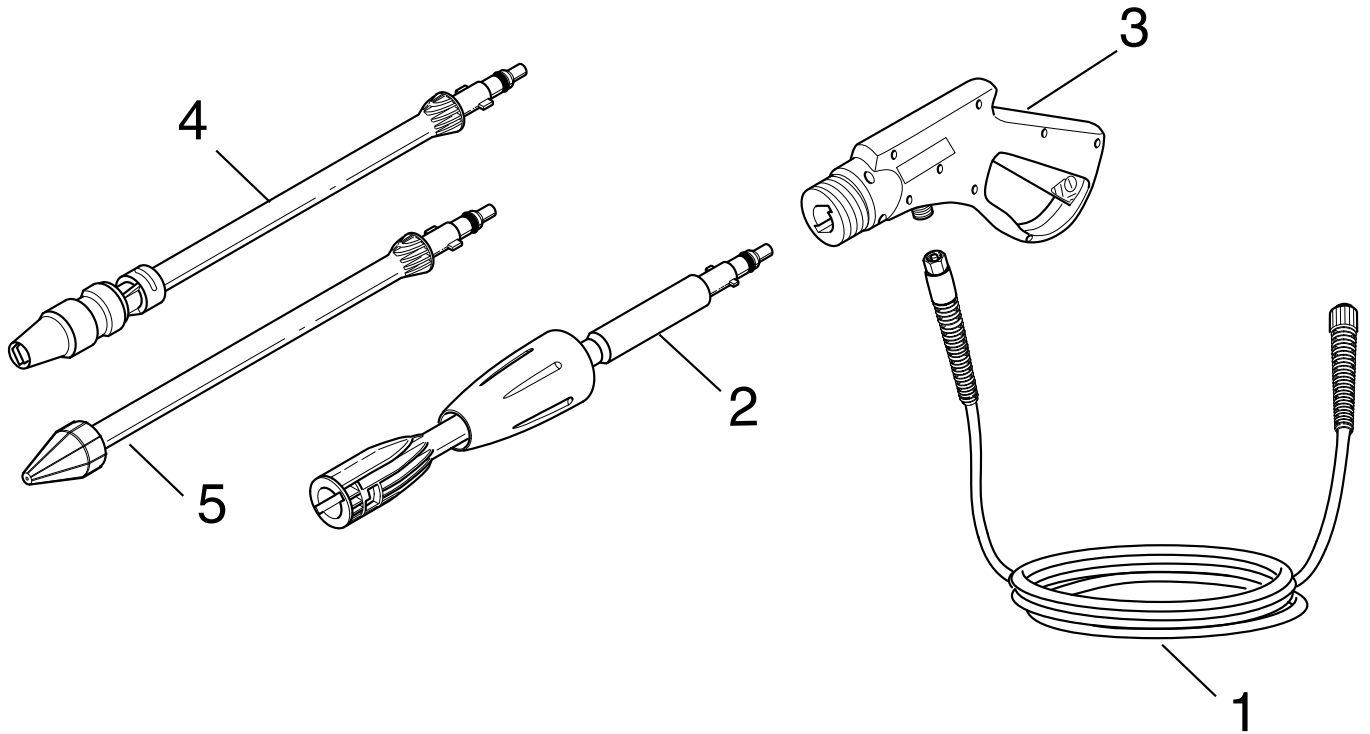
These parts are typical, motors. Transformers. Relays. Fuses. Cylinder head.

Spray handle with hose / Sprühhandgriff m. Schlauch / Poignée gâchette avec tuyau / Spulehåndtag m. slange C100.2, C120.1, E130.1, E140.1, E130.1 X-tra, E140.1 X-tra



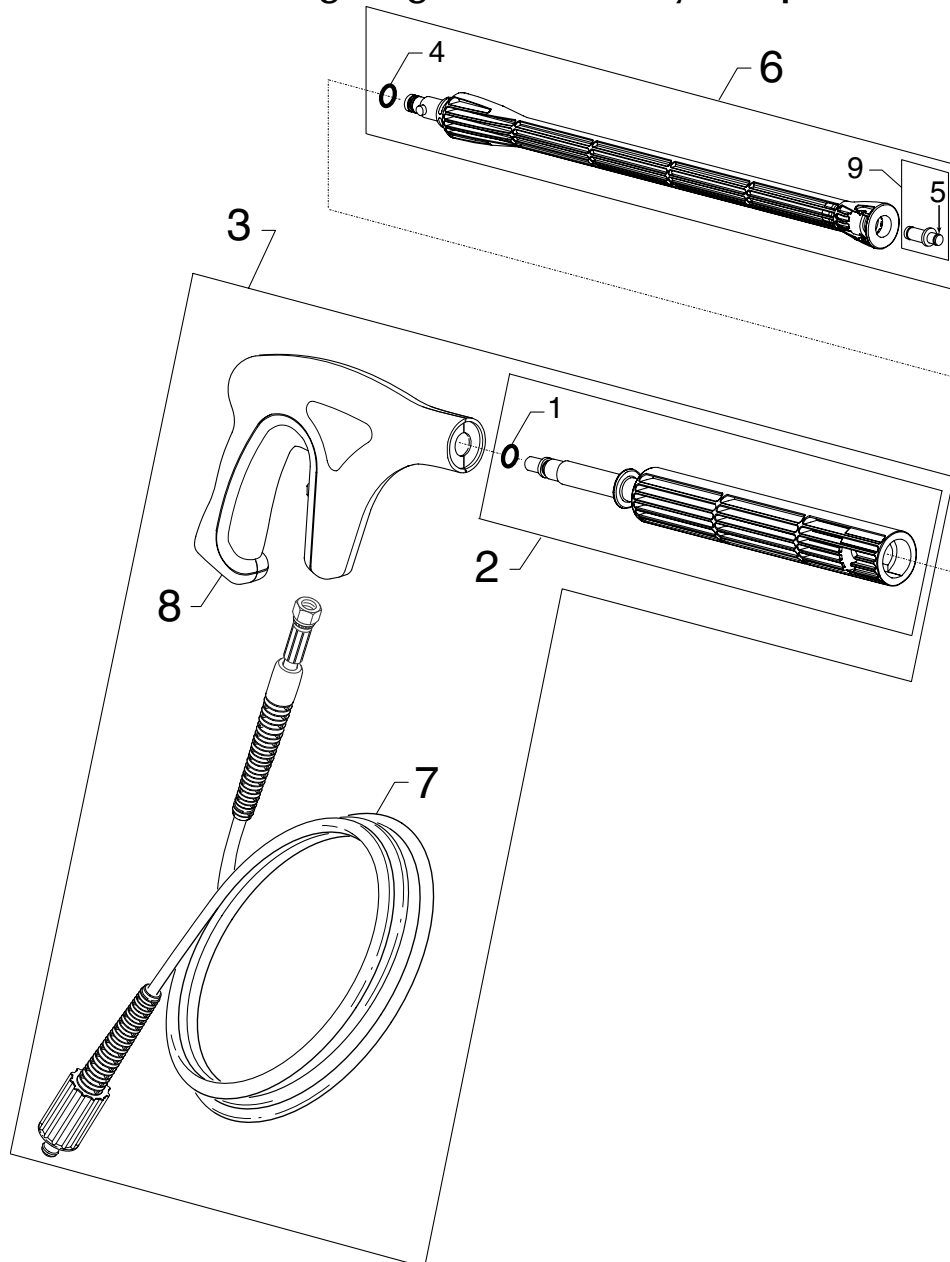
Pos.	No.	Description	Bezeichnung	Désignation	Betegnelse	Comment Bemerkung Remarque Bemærkning	Rec. Part	130.1, 140.1 X-tra
1	126486740	Spray handle w. hose 6m	Sprühhandgriff w. Schlauch 6m	Poignée gâchette a. tuyau 6m	Spulehåndtag med slange 6m		1	
1	126486741	Spray handle w. hose 8m	Sprühhandgriff w. Schlauch 8m	Poignée gâchette a. tuyau 8m	Spulehåndtag med slange 8m		1	
1	126486742	Spray handle w. hose 9m	Sprühhandgriff w. Schlauch 9m	Poignée gâchette a. tuyau 9m	Spulehåndtag med slange 9m		1	
1	126486743	Spray handle w. hose 10m	Sprühhandgriff w. Schlauch 10m	Poignée gâchette a. tuyau 10m	Spulehåndtag med slange 10m		1	
1	126486744	Spray handle w. hose 12m	Sprühhandgriff w. Schlauch 12m	Poignée gâchette a. tuyau 12m	Spulehåndtag med slange 12m		1	
1X	126486746	Spray handle w. hose 9m	Sprühhandgriff w. Schlauch 9m	Poignée gâchette a. tuyau 10m	Spulehåndtag med slange 9m	E130.1 X-tra E140.1 X-tra		1
2	3001211	O-Ring	O-Ring	Joint torique	O-ring		1	1
3	106411743	Intermediate tube	Zwischenrohr	Tube interm.	Mellemrør		1	1
4	6411715	Nozzle tube w. O-Ring	Sprührohr m. O-Ring	Tube p. buse a. joint torique	Dyserør m. O-ring		1	1
5	3004279	O-ring	O-Ring	Joint torique	O-ring		1	1
6	3004312	O-ring	O-Ring	Joint torique	O-ring		1	1
7	6483401	Low pressure nozzle	Niederdruckdüse	Buse basse pression	Lavtrykdyse		1	1
8	126486747	Hose, compl. 8m	Schlauch, kompl. 8m	Tuyau, compl. 8m	Slange, kompl. 8m		1	
8	126486748	Hose, compl. 12m	Schlauch, kompl. 12m	Tuyau, compl. 12m	Slange, kompl. 12m		1	
8X	126486749	Hose, compl. 9m	Schlauch, kompl. 9m	Tuyau, compl. 9m	Slange, kompl. 9m	E130.1 X-tra E140.1 X-tra		1
9	126486750	Spray handle	Sprühhandgriff	Poignée gâchette	Spulehåndtag		1	1
10	3004321	O-Ring	O-Ring	Joint torique	O-ring			2

Spray handle with hose / Sprühhandgriff m. Schlauch / Poignée gâchette avec tuyau / Spulehåndtag m. slange C100.0, C100.1



Pos.	No.	Description	Bezeichnung	Désignation	Betegnelse	Comment Bemerkung Remarque Bemærkning	Rec. part	C 100.0	C 100.1
1	126486802	High pressure hose	Hochdruckschlauch	Tuyau haute pression	Højtryksslange			1	1
2	126486806	Pressure tube	Zwischenrohr	Tube d'espace	Mellemrør			1	1
3	126486801	Spray handle	Spritzpistole	Poignée gâchette	Spulehåndtag			1	1
4	126486800	Multispeed nozzle lance	Multispeed Sprührohr	Lance Multispeed	Multispeed dyserør			1	1
5	106481304	Powerspeed nozzle lance	Powerspeed Sprührohr	Lance Powerspeed	Powerspeed dyserør			1	1

Spray handle with hose ALTO COMPACT 110, FORCE, DYNAMIC | 00.06 ⇒
 Sprühhandgriff m. Schlauch / Poignée gâchette avec tuyau / Spulehåndtag m. slange

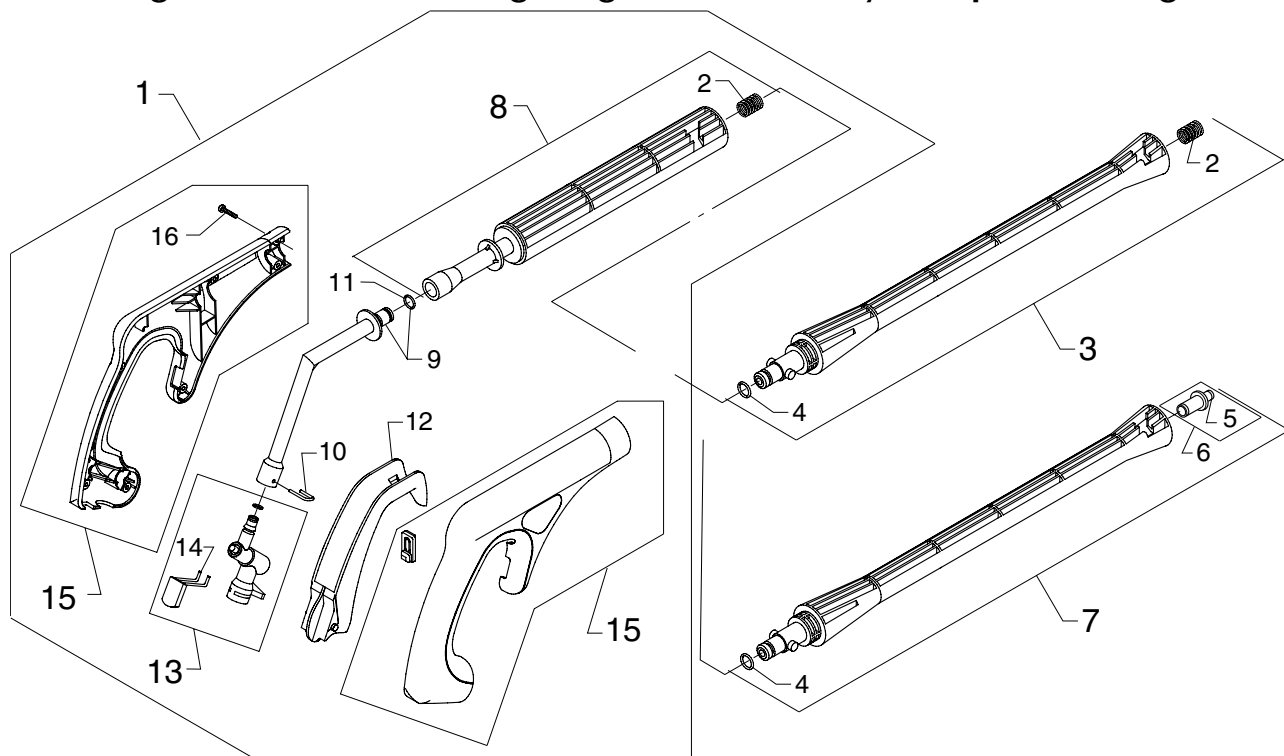


Pos.	No.	Description	Bezeichnung	Désignation	Betegnelse	Comment Bemerkung Remarque Bemærkning	Rec.	Part
1	3001211	O-Ring	O-Ring	Joint torique	O-ring			1
2	106411743	Intermediate tube	Zwischenrohr	Tube interm.	Mellemrør			1
3	6481961	Spray handle w. hose 6m	Sprühhandgriff w. Schlauch 6m	Poignée gâchette a. tuyau 6m	Spulehåndtag med slange 6m			1
3	6481962	Spray handle w. hose 8m	Sprühhandgriff w. Schlauch 8m	Poignée gâchette a. tuyau 8m	Spulehåndtag med slange 8m			1
3	6481963	Spray handle w. hose 10m	Sprühhandgriff w. Schlauch 10m	Poignée gâchette a. tuyau 10m	Spulehåndtag med slange 10m			1
3	6481964	Spray handle w. hose 12m	Sprühhandgriff w. Schlauch 12m	Poignée gâchette a. tuyau 12m	Spulehåndtag med slange 12m			1
3	6481966	Spray handle w. hose 15m	Sprühhandgriff w. Schlauch 15m	Poignée gâchette a. tuyau 15m	Spulehåndtag med slange 15m			1
4	3004279	O-ring	O-Ring	Joint torique	O-ring			1
5	3004312	O-ring	O-Ring	Joint torique	O-ring			1
6	6411715	Nozzle tube w. O-Ring	Sprührohr m. O-Ring	Tube p. buse a. joint torique	Dyserør m. O-ring	COMPACT 110 & FORCE & DYNAMIC		1
6	6481986	Nozzle tube w. O-Ring	Sprührohr m. O-Ring	Tube p. buse a. joint torique	Dyserør m. O-ring	ACTIVE		1
7	106482017	Hose, compl. 8m	Schlauch, kompl. 8m	Tuyau, compl. 8m	Slange, kompl. 8m			1
7	106482018	Hose, compl. 12m	Schlauch, kompl. 12m	Tuyau, compl. 12m	Slange, kompl. 12m			1
7	106482020	Hose, compl. 15m	Schlauch, kompl. 15m	Tuyau, compl. 15m	Slange, kompl. 15m			1
8	106482019	Spray handle	Sprühhandgriff	Poignée gâchette	Spulehåndtag			1
9	6483401	Low pressure nozzle	Niederdruckdüse	Buse basse pression	Lavtryksdyse			1

Spray handle with hose E 135.1, E 145.1, P 130.1, P 150.1, P 160.1

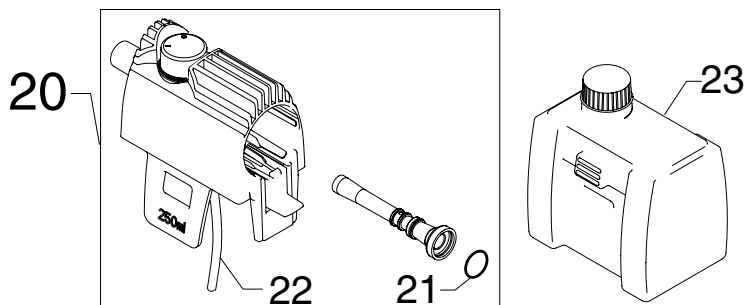
DYNAMIC X-tra, DYNAMIC ⇒ 00.06 | , E125, E135, P120, P140, P150, PRO

Sprühhandgriff m. Schlauch / Poignée gâchette avec tuyau / Spulehåndtag m. slange



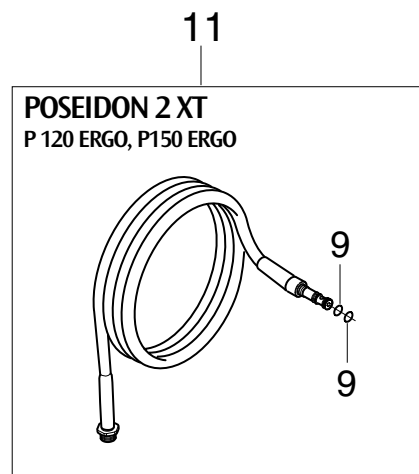
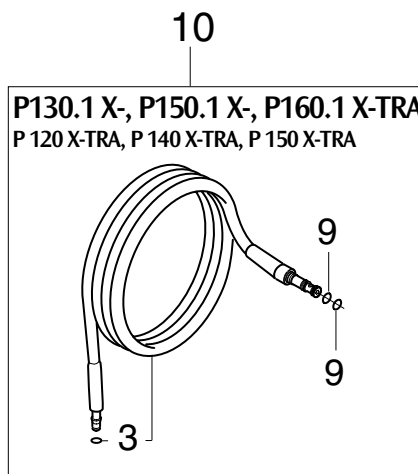
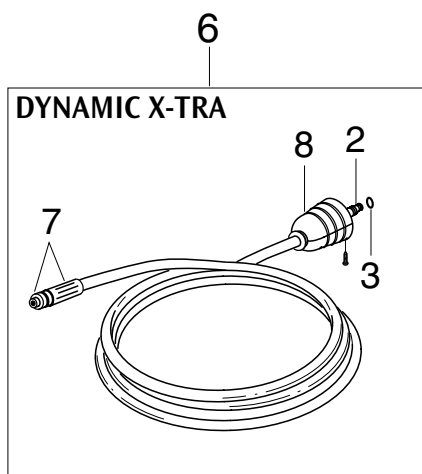
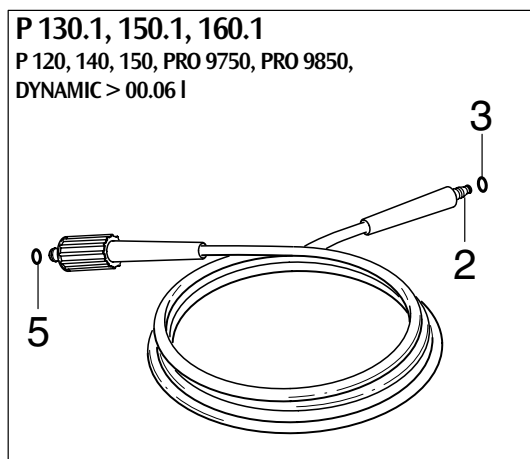
Foam Sprayer / Schaumsprühgerät Pulvérisateur / Skumsprayer

PRO
DYNAMIC X-tra
DYNAMIC ⇒ 00.06 |



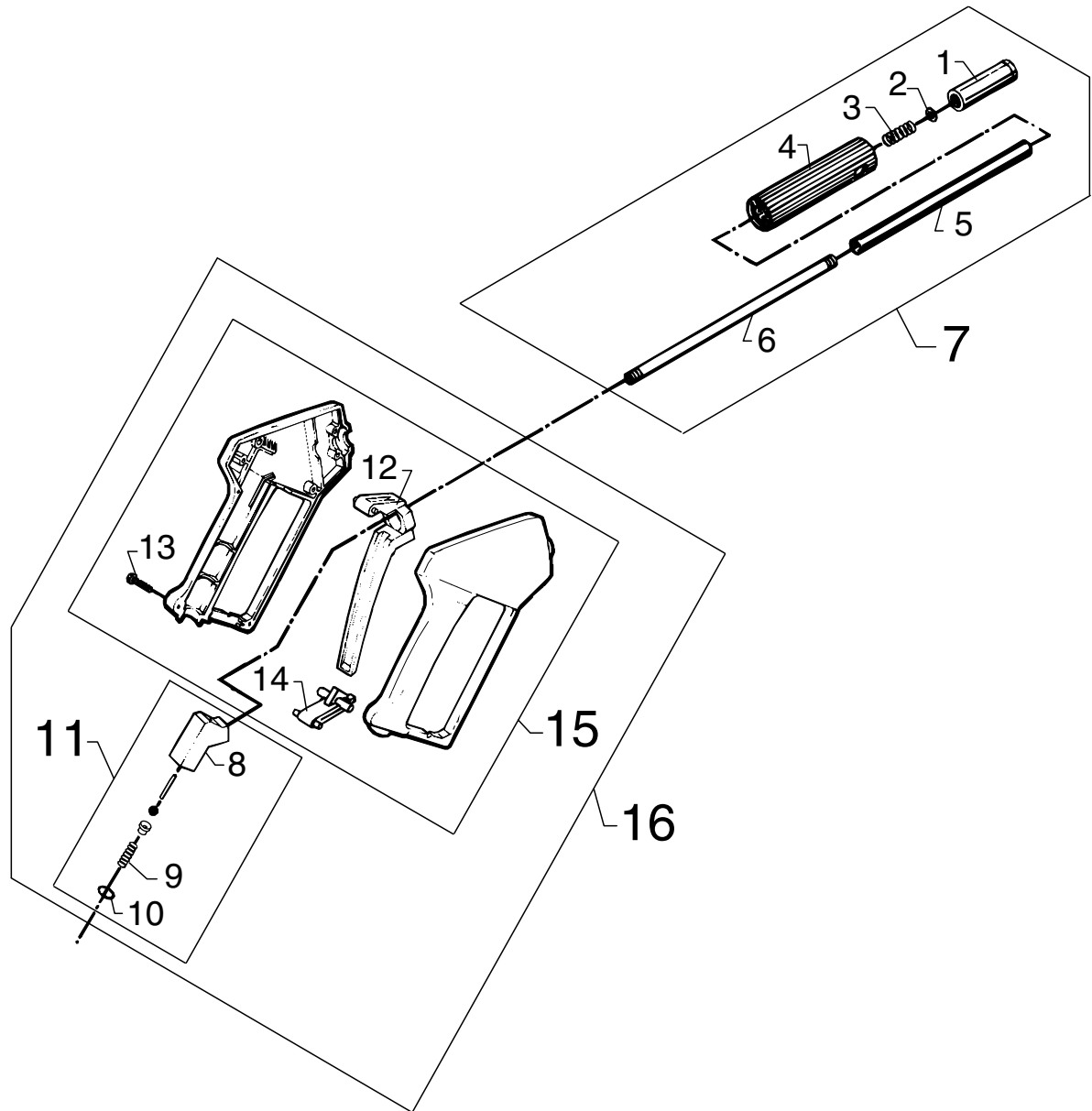
Pos.	No.	Description	Bezeichnung	Désignation	Betegnelsen	Comment Remarque Bemærkning	Rec. Part		
1	6526203	Spray handle, compl.	Sprühhandgriff, kompl.	Poignée-gâchette, compl.	Spulehåndtag, kompl.				x
2	2602500	Spring	Feder	Ressort	Fjeder				2
3	6526027	Nozzle tube w. O-Ring	Düsenrohr m. O-Ring	Tube p. buse + joint toriq.	Mellemrør m. O-ring	P130.1, P150.1, P160.1 (P120, P140, P150) Dynamic, PRO			1
4	3004279	O-Ring	O-Ring	Joint torique	O-ring				1
5	3004312	O-ring	O-Ring	Joint torique	O-ring	E 135.1, E 145.1 (E125, E135)			1
6	6483401	Low pressure nozzle	Niederdruckdüse	Buse basse pression	Lavtryksdyse	E 135.1, E 145.1 (E125, E135)			1
7	6411715	Nozzle tube w. O-Ring	Sprührohr m. O-Ring	Tube p. buse a. joint torique	Dyserør m. O-ring	E 135.1, E 145.1 (E125, E135)			1
8	6526053	Intermediate tube	Zwischenrohr	Tube intermed.	Mellemrør				1
9	6526028	Pressure tube w. O-Ring	Druckrohr m. O-Ring	Tuyau de pression + joint tor.	Trykrør m. O-ring				1
10	6525232	Lock bracket	Verschlussbügel	Clips de maintien	Låsebøjle				1
11	3004272	O-ring	O-Ring	Joint torique	O-ring				1
12	6525313	Trigger	Auslöser	Gâchette	Udløser				1
13	6526172	Valve housing, compl.	Ventilgehäuse, kompl.	Carter-vanne, compl.	Ventilhus, kompl.				1
14	6526170	Spring button	Federknopf	Ressort bouton	Fjederknop				1
15	6526167	Kit, handle	Satz, Griff	Kit, poignée	Sæt, greb				1
16	101814698	Screw	Schraube	Vis	Skruer				8
20	6411046	Foam sprayer, compl.	Schaumsprühgerät	Pulvérisateur, compl.	Skumsprayer, kompl.				1
21	3004116	O-Ring	O-Ring	Joint torique	O-ring				1
22	6525231	Admission hose	Sugschlauch	Tuyau d'aspiration	Sugeslange				1
23	6411190	Container	Behälter	Bidon	Dunk				1

Hose P 130.1, P 150.1, P 160.1, POSEIDON 2
 E125, E135, P120, P140, P150, PRO, DYNAMIC X-tra,
 DYNAMIC ⇒ 00.06 | / Schlauch / Tuyau / Slange



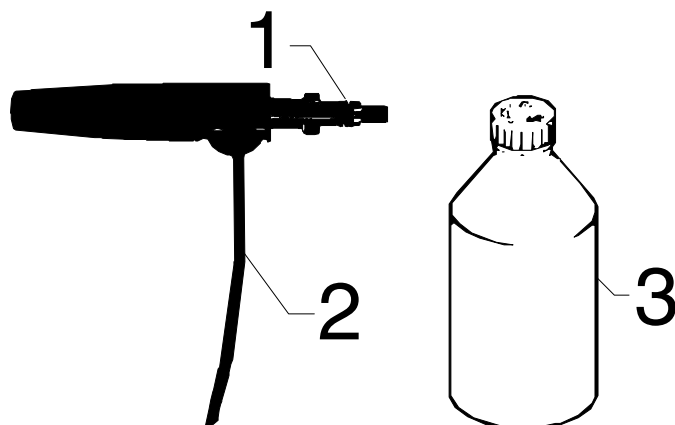
Pos.	No.	Description	Bezeichnung	Désignation	Betegnelsse	Comment Bemerkung Remarque Bemærkning	Rec. Part
1	6526022	Hose, 8m	Schlauch	Tuyau flexible	Slange	DYNAMIC >00.06	x
1	6526054	Hose, 12m	Schlauch	Tuyau flexible	Slange	DYNAMIC >00.06	x
1	6526043	Hose, superflex 8m	Schlauch	Tuyau flexible	Slange	P130.1, P150.1, P160.1, P120, P140, P150, PRO, DYNAMIC >00.06	x
1	6526375	Hose, superflex 10m	Schlauch	Tuyau flexible	Slange	P130.1, P150.1, P160.1, P120, P140, P150, PRO, DYNAMIC >00.06	x
1	6526376	Hose, superflex 15m	Schlauch	Tuyau flexible	Slange	P130.1, P150.1, P160.1, P120, P140, P150, PRO, DYNAMIC >00.06	x
2	6526166	Nipple + jacket	Nippel + Mantel	Nipple + manchon	Nippel + preskappe		1
3	3004304	O-Ring	O-Ring	Joint torique	O-ring		1
5	3001211	O-Ring	O-Ring	Joint torique	O-ring		1
6	6526003	Hose, superflex 10m	Schlauch	Tuyau flexible	Slange	DYNAMIC X-TRA	x
6	6526044	Hose, superflex 12m	Schlauch	Tuyau flexible	Slange	DYNAMIC X-TRA	x
7	6526164	Nipple + jacket	Nippel + Mantel	Nipple + manchon	Nippel + preskappe		1
8	6526004	Kit, jacket w. screws	Satz, Mantel m. Schrauben	Kit, manchon a. vis	Sæt, kappe m. skruer		1
9	3004321	O-ring PUR 10x2	O-Ring	Joint torique	O-ring		2
10	6528610	Hose compl. steelarm 10m	Schlauch stahlarmierte	Tuyau renforcement	Stålarmeret slange	P130.1 X-TRA, P150.1 X-TRA, P160.1 X-TRA, P120 X-TRA, P140 X-TRA, P150 X-TRA	x
10	6528611	Hose compl. steelarm 15m	Schlauch stahlarmierte	Tuyau renforcement	Stålarmeret slange	P130.1 X-TRA, P150.1 X-TRA, P160.1 X-TRA, P120 X-TRA, P140 X-TRA, P150 X-TRA	x
11	6528613	Hose compl. steelarm 15m	Schlauch stahlarmierte	Tuyau renforcement	Stålarmeret slange	POSEIDON - ERGO	x

Spray handle Hobby (P040), P415), P403), Professional
 Sprühhandgriff / Poignée gâchette / Spulehåndtag



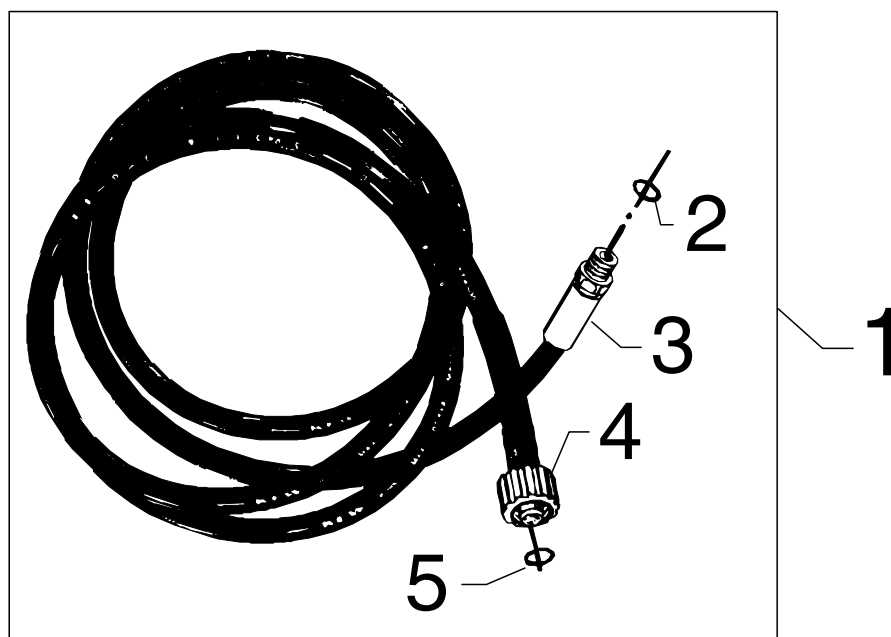
Pos.	No.	Description	Bezeichnung	Désignation	Betegnelse	Comment Bemerkung Remarque Bemærkning	Rec. Part	Hobby & Prof.
-	6126136	Spray handle & hose	Sprühhandgriff + Schlauch	Poignée-gâchette + tuyau	Spulehåndtag + slange	HOBBY		x
-	6126135	Spray handle & hose	Sprühhandgriff + Schlauch	Poignée-gâchette + tuyau	Spulehåndtag + slange	Professional 6150/9150		x
1	6120479	Bush	Buchse	Bague	Bøsning			1
2	6120481	Washer	Scheibe	Rondelle	Skive			1
3	2600518	Spring	Feder	Ressort	Fjeder			1
4	6520605	Handle	Griff	Poignée	Greb			1
5	6122524	PVC cover	PVC-Hülse	Couverture PVC	PVC overtræk			1
6	6122525	Tube	Rohr	Tube	Rør			1
7	6123639	Lance with bayonet coupling	Rohr mit Bajonettgriff	Lance avec coupleur baïonnette	Rør med bajonet-kobling			1
8	6122375	Valve housing	Ventilgehäuse	Carter-vanne	Ventilhus			1
9	2600070	Spring	Feder	Ressort	Fjeder			1
10	3000460	O-Ring	O-Ring	Joint torique	O-ring			1
11	6122658	Kit, valve housing	Satz, Ventilgehäuse	Kit, carter-vanne	Sæt, ventilhus			1
12	6121485	Trigger	Auslösung	Gâchette	Udløser			1
13	1805480	Screw	Schraube	Vis	Skruer			6
14	6121490	Safety catch	Spannhebel	Cran de sûreté	Låsepal			1
15	6125600	Kit, handle	Satz, Griff	Kit, poignée	Sæt, greb			1
16	6125601	Spray handle	Sprühhandgriff	Poignée-gâchette	Spulehåndtag			1

Foam sprayer Hobby, Professional Schaumsprüngerät / Pulvérisateur / Skumsprayer



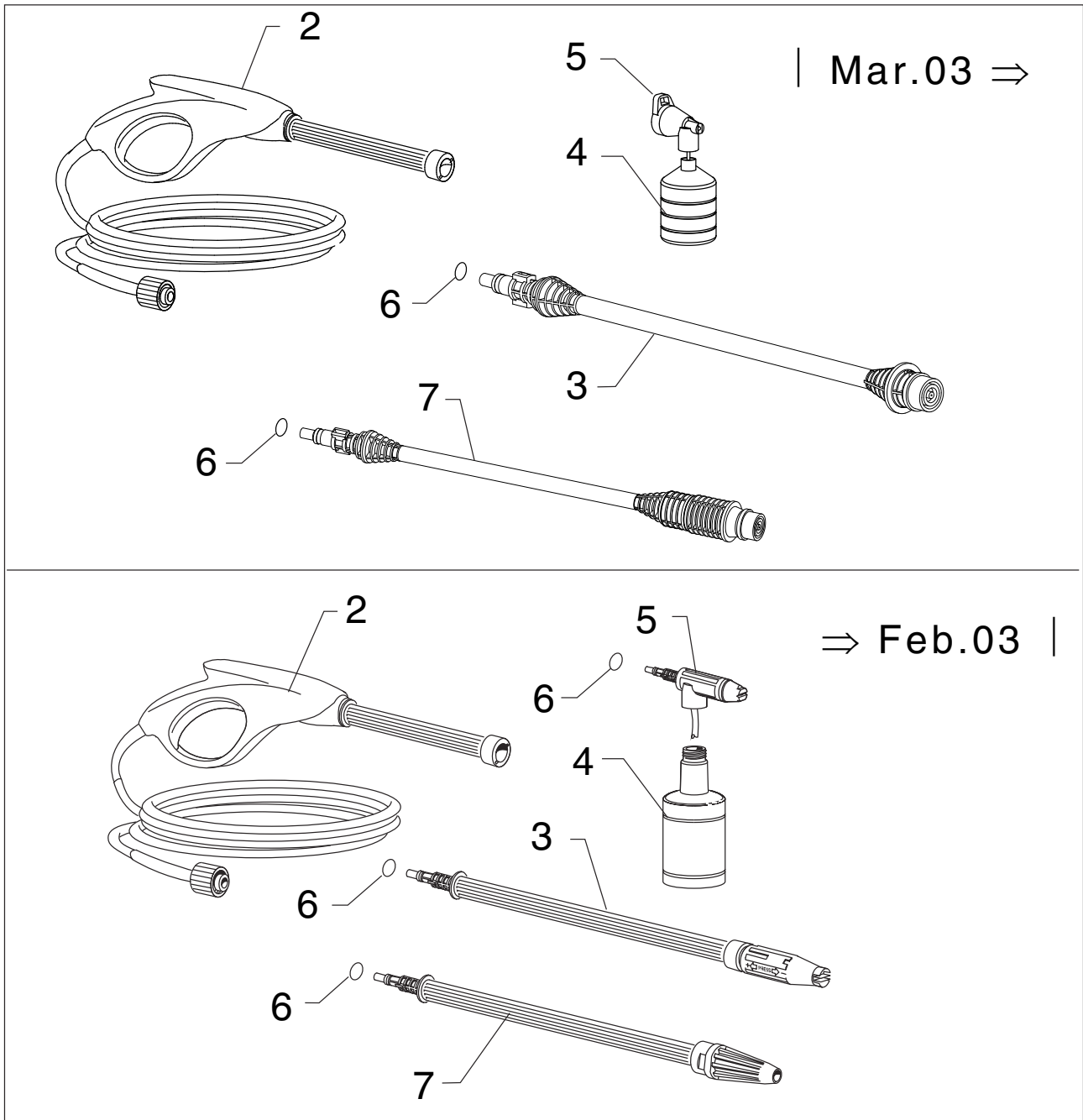
Pos.	No.	Description	Bezeichnung	Désignation	Betegnelse	Comment Bemerkung Bemærkning	Rec. Part		
-	6411045	Foam sprayer, compl.	Schaumsprüngerät	Pulvérisateur, compl.	Skumsprayer, kompl.				x
1	3001211	O-Ring	O-Ring	Joint torique	O-ring				1
2	6410104	Admission hose	Sugschlauch	Tuyau d'aspiration	Sugeslange				1
3	6411191	Container	Behälter	Bidon	Dunk				1
3	5304912	Container USA	Behälter	Bidon	Dunk				1

Hose Hobby, Professional Schlauch / Tuyau / Slange



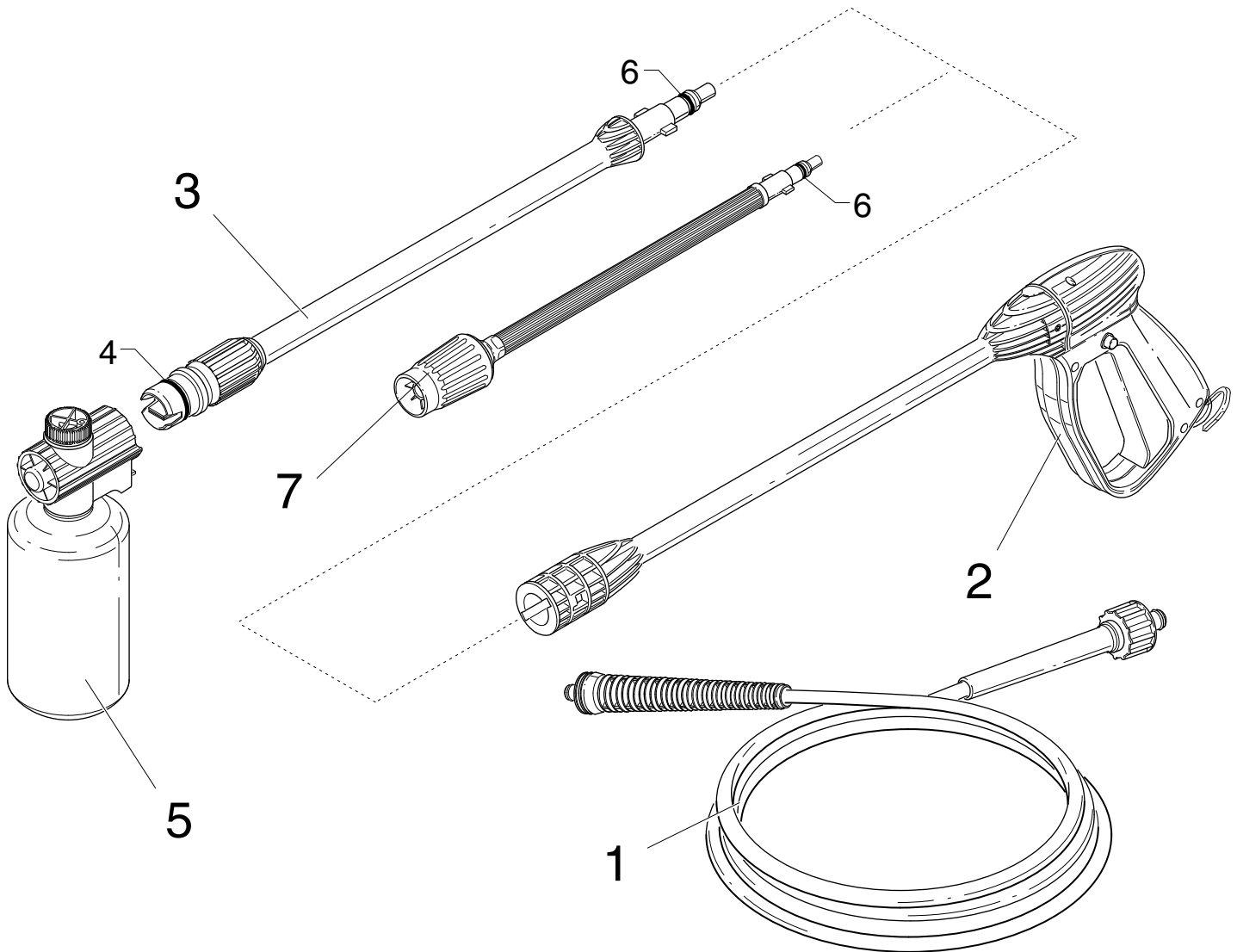
Pos.	No.	Description	Bezeichnung	Désignation	Betegnelse	Comment Bemerkung Bemærkning	Rec. Part	Hobby	Professional
1	1405467	Hose, 7m	Schlauch	Tuyau flexible	Slange	Hobby		x	
1	1405614	Hose, superflex 7m	Schlauch	Tuyau flexible	Slange	Professional 6150/9150			x
1	1405688	Hose, superflex 10m	Schlauch	Tuyau flexible	Slange	Professional 9250			x
1	1405673	Hose, superflex 15m	Schlauch	Tuyau flexible	Slange	Professional 6250/9250			x
2	3000460	O-Ring	O-Ring	Joint torique	O-ring				1
3	6411027	Socket + jacket	Stutzen + Mantel	Raccord + manchon	Studs + preskappe	type 507S			
3	6411029	Socket + jacket	Stutzen + Mantel	Raccord + manchon	Studs + preskappe	type 516			
3	6411031	Socket + jacket	Stutzen + Mantel	Raccord + manchon	Studs + preskappe	type 506F			
4	6411028	Nipple + jacket	Nippel + Mantel	Nipple + manchon	Nippel + preskappe	type 516			
5	3001211	O-Ring	O-Ring	Joint torique	O-ring				1

Spray handle & accessories ACTIVE
Sprühhandgriff & Zubehör / Poignée gâchette & accessoires / Spulehåndtag & tilbehør



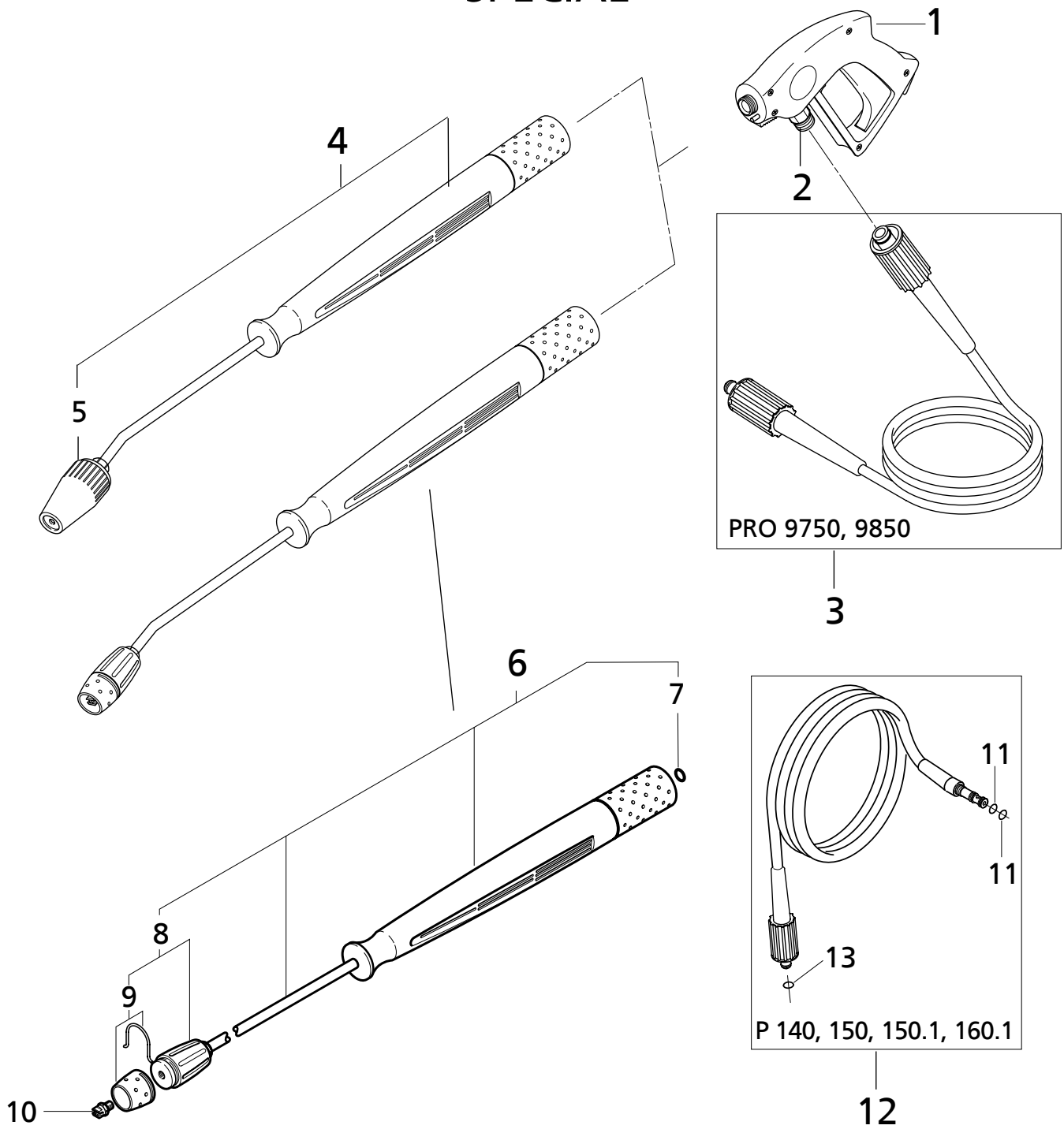
Pos.	No.	Description	Bezeichnung	Désignation	Betegnelse	Comment Bemerkung Remarque Bemærkning	Rec. Part	<input type="checkbox"/> Mar. 03	<input type="checkbox"/> Feb. 03
2	6411717	Spray handle w. hose	Sprühhandgriff m. Schlauch	Poignée-gâchette avec tuyau	Spulehåndtag med slange			1	1
3	106411753	Tornado, orange	Tornado, orange	Tornado, orange	Tornado, orange	110bar <input type="checkbox"/> Mar. 03 <input type="checkbox"/>		1	
3	106411757	Tornado, white	Tornado, weiß	Tornado, blanc	Tornado, hvid	100bar <input type="checkbox"/> Mar. 03 <input type="checkbox"/>		1	
3	6411718	Spray lance	Sprührohr	Lance	Dyserør	<input type="checkbox"/> Feb. 03 <input type="checkbox"/>			1
4	106411754	Mixer bottle	Mixerflasche	Bidon mixeur	Mixerflaske	<input type="checkbox"/> Mar. 03 <input type="checkbox"/>		1	
4	6411720	Mixer bottle	Mixerflasche	Bidon mixeur	Mixerflaske	<input type="checkbox"/> Feb. 03 <input type="checkbox"/>			1
5	106411755	Foam sprayer	Schaumsprühgerät	Pulvérisateur	Skumsprayer	<input type="checkbox"/> Mar. 03 <input type="checkbox"/>		1	
5	6411721	Foam sprayer	Schaumsprühgerät	Pulvérisateur	Skumsprayer	<input type="checkbox"/> Feb. 03 <input type="checkbox"/>			1
6	3000957	O-Ring	O-Ring	Joint torique	O-ring			1	1
7	106411756	POWERSPEED-lance	POWERSPEED-Sprührohr	Lance POWERSPEED	POWERSPEED-dyserør	<input type="checkbox"/> Mar. 03 <input type="checkbox"/>		1	
7	6411722	POWERSPEED-lance	POWERSPEED-Sprührohr	Lance POWERSPEED	POWERSPEED-dyserør	<input type="checkbox"/> Feb. 03 <input type="checkbox"/>			1

Spray handle & accessories COMPACT 500
 Sprühhandgriff & Zubehör / Poignée gâchette & accessoires / Spulehåndtag & tilbehør



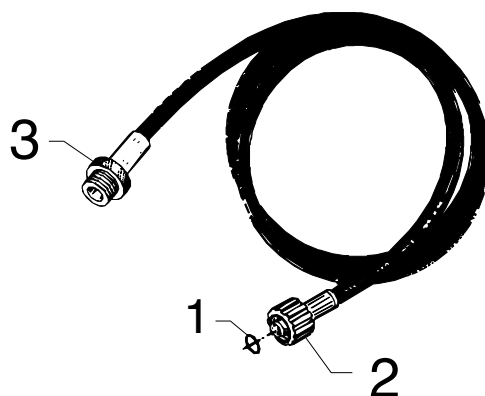
Pos.	No.	Description	Bezeichnung	Désignation	Betegnelse	Comment Bemerkung Remarque Bemærkning	Rec. Part	COMPACT 500
1	6480665	Hose, compl.	Schlauch, compl.	Tuyau flexible, compl.	Slange, kompl.			1
2	6480666	Spray handle	Sprühhandgriff	Poignée-gâchette	Spulehåndtag			1
3	6480667	Spray lance	Sprührohr	Lance	Dyserør	⇒ dec.02		1
4	6480671	O-Ring	O-Ring	Joint torique	O-Ring	⇒ dec.02		1
5	6480669	Foam sprayer	Schaumsprühgerät	Pulvérisateur	Skumsprayer	⇒ dec.02		1
6	3001211	O-Ring Ø18,5x3	O-Ring	Joint torique	O-ring			2
7	6480668	POWERSPEED-lance	POWERSPEED-Sprührohr	Lance POWERSPEED	POWERSPEED-dyserør	⇒ dec.02		1

SPECIAL



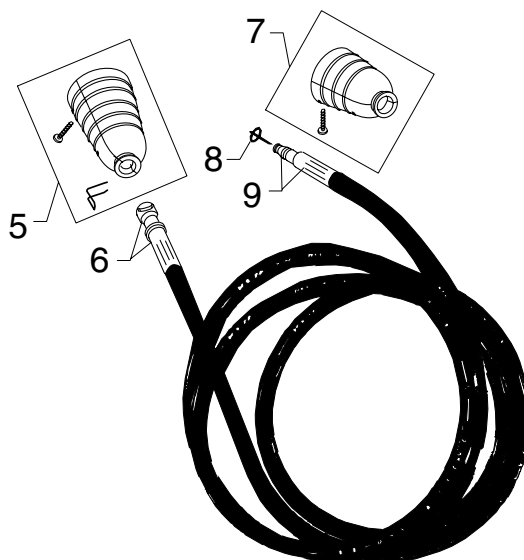
Pos.	No.	Description	Bezeichnung	Désignation	Betegnelse	Comment Bemerkung Remarque Bemærkning	Rec. Part	PRO 7950, 9850	140, 150, 150.1, 160.1
1	64170	Spray handle	Spritzpistole	Poignée Gâchette	Spulehåndtag			x	x
2	106522810	Threaded piece	Gewindestück	Pièce avec filetage	Gevindstykke			1	1
3	106523156	Hose w. double coupling	Schlauch m. Doppelkuppl.	Tuyau a. coupleur double	Slange m. dobbeltkobling	PRO 7950, 9850		1	1
4	106411301	POWERSPEED	POWERSPEED	POWERSPEED	PWERSPEED			1	1
5	49283	Nozzle head	Düsenkopf	Tête de buse	Dysehoved			1	1
6	61039	Lance	Sprührohr	Lance	Lanse			1	1
7	6149	O-ring	O-Ring	Joint torique	O-ring			1	1
8	61037	Nozzle	Düse	Buse	Dyse			1	1
9	61038	Nozzle guard	Düsenchutz	Protecteur - buse	Dysebeskytter			1	1
10	63457	Nozzle no, 25035	Düse nr. 25035	Buse 25035	Dyse nr. 25035			1	1
11	3004321	O-ring PUR 10x2	O-Ring	Joint torique	O-ring	140, 150, 150.1, 160.1			2
12	6528612	Hose compl. steelarm 15m	Schlauch stahlarmierte	Tuyau renforcement	Stålarmeret slange	140, 150, 150.1, 160.1			1
13	3001211	O-ring	O-Ring	Joint torique	O-ring	140, 150, 150.1, 160.1			1

Extention hose PRO 9850, PRO 9750, DYNAMIC ⇒ 00.06 | , HOBBY, PROFESSIONAL
 Verlängerungsschlauch / Tuyau flexible prolongateur / Forlængerslange



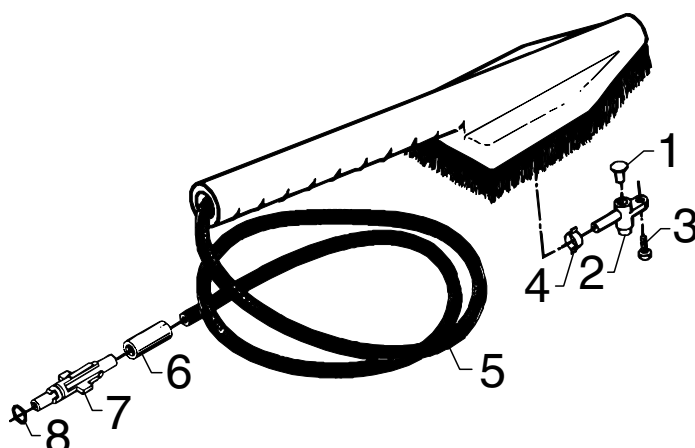
Pos.	No.	Description	Bezeichnung	Désignation	Betegnelse	Comment Bemerkung Remarque Bemærkning	Rec. Part		
-	6410760	Extension hose	Verlängerungsschlauch	Tuyau flexible prolongateur	Forlængerslange	PRO, DYNAMIC ⇒ 00.06 Hobby, Professional			x
1	3001211	O-Ring	O-Ring	Joint torique	O-ring				1
2	6411028	Nipple + jacket	Nippel + Mantel	Nipple + manchon	Nippel + preskappe	type 516			1
3	6411032	Socket + jacket	Stutzen + Mantel	Raccord + manchon	Studs + preskappe	type 516			1

Extention hose PRO 140, PRO 150, EXCELLENT, DYNAMIC X-tra
 Verlängerungsschlauch / Tuyau flexible prolongateur / Forlængerslange



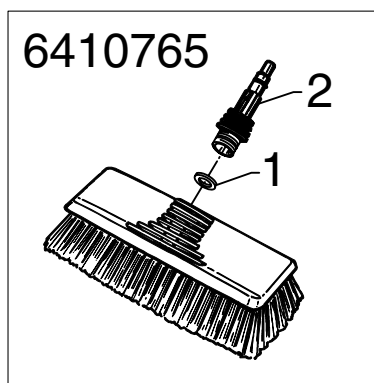
Pos.	No.	Description	Bezeichnung	Désignation	Betegnelse	Comment Bemerkung Remarque Bemærkning	Rec. Part		
-	6411048	Extension hose 7m	Verlängerungsschlauch	Tuyau flexible prolongateur	Forlængerslange	PRO 140, PRO 150, DYNAMIC X-tra		x	
-	106411346	Extension hose 7m	Verlängerungsschlauch	Tuyau flexible prolongateur	Forlængerslange	EXCELLENT			x
5	6411730	Jacket w. screws + lock bracket	Mantel m. Schrauben + Verschlussbügel	Manchon avec vis + clips	Kappe m. skruer + låsebøjle			1	1
6	6411731	Socket + jacket	Stutzen + Mantel	Raccord + manchon	Studs + preskappe			1	1
7	6526004	Kit, jacket w. screws	Satz, Mantel m. Schrauben	Kit, manchon a. vis	Sæt, kappe m. skruer			1	1
8	3004304	O-Ring	O-Ring	Joint torique	O-ring			1	1
9	6526166	Nipple + jacket	Nippel + Mantel	Nipple + manchon	Nippel + preskappe			1	1

Car brush Autobürste / Brosse de lavage, auto / Bilbørste



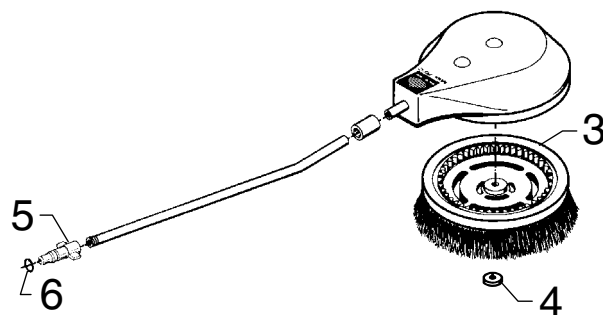
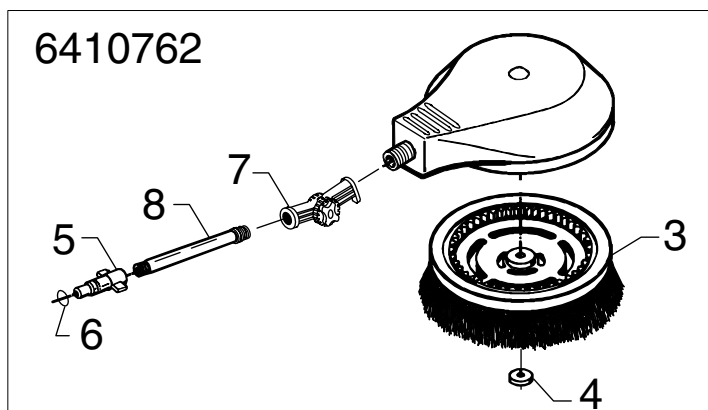
Pos.	No.	Description	Bezeichnung	Désignation	Betegnelse	Comment Bemerkung Remarque Bemærkning	Rec. Part		
1	-	Car brush, compl.	Autobürste, kompl.	Brosse de lavage, auto	Bilbørste, kompl.				x
2	1800945	Screw	Schraube	Vis	Skrue				1
3	6400963	Nozzle	Düse	Buse	Dyse				1
4	6401443	Plug	Pfropfen	Bouchon	Prop				1
5	1807577	Hose clamp	Schlauchschelle	Collier de serrage	Slangeklemme				1
6	2403285	Hose	Schlauch	Tuyau flexible	Slange				1
7	6400962	Nipple	Nippel	Entrée du raccord	Nippel				1
8	3001211	O-Ring	O-Ring	Joint torique	O-ring				1

Washing brush Waschbürste / Brosse de lavage / Vaskebørste



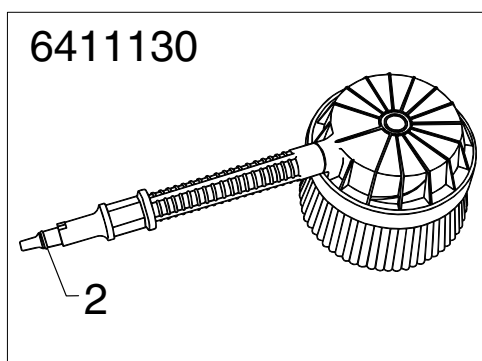
Pos.	No.	Description	Bezeichnung	Désignation	Betegnelse	Comment Bemerkung Remarque Bemærkning	Rec. Part		
-	6410765	Wasing brush, compl.	Waschbürste, kompl.	Brosse de lavage, compl.	Vaskebørste, kompl.				x
1	3002128	Gasket	Dichtung	Joint	Pakning				1
2	6411449	Adaptor w. O-Ring	Einsatzstück m. O-Ring	Adaptateur a. joint torique	Adapter m. O-ring				1

Rotary brush Rotierende Bürste / Brosse rotative / Roterende børste



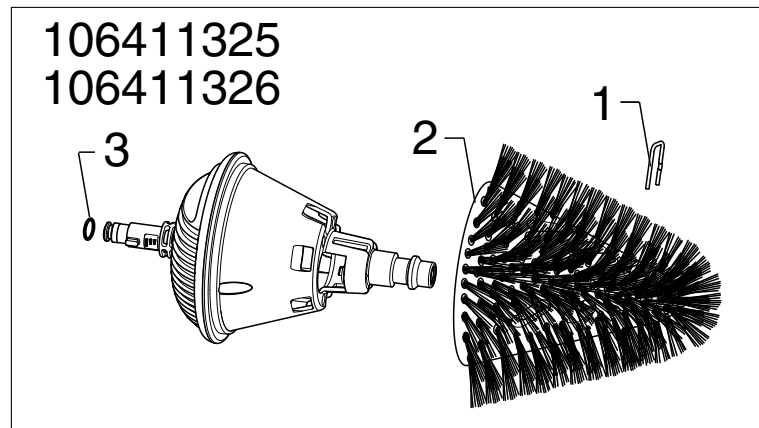
Pos.	No.	Description	Bezeichnung	Désignation	Betegnelse	Comment Bemerkung Remarque Bemærkning	Rec. Part		
1	6410762	Rotary brush, compl.	Rotierende Bürste	Brosse rotative	Roterende børste				x
3	6401430	Bristle, short	Bürstenkranz, kurz	Couronne brosse, courtle	Børstekrans, kort	Standard			1
3	6401431	Bristle, long	Bürstenkranz, lang	Couronne brosse, longue	Børstekrans, lang				1
4	6410580	Nut	Mutter	Ecrou	Motrik				1
5	6120486	Nipple	Nippel	Entrée du raccord	Nippel				1
6	3001211	O-Ring	O-Ring	Joint torique	O-ring				1
7	6410586	Elbow part	Knickung	Bras coudé	Bøjeled				1
8	6411035	Tube	Rohr	Tube	Rør				1

Rotary brush Rotierende Bürste / Brosse rotative / Roterende børste



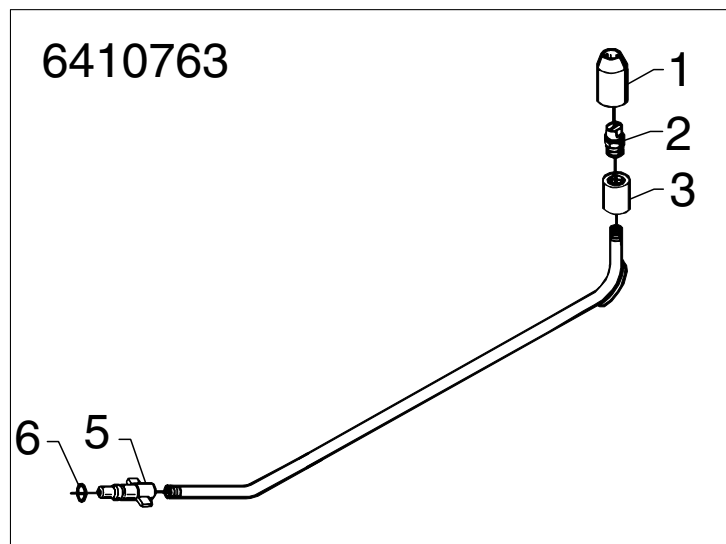
Pos.	No.	Description	Bezeichnung	Désignation	Betegnelse	Comment Bemerkung Remarque Bemærkning	Rec. Part		
-	6411130	Rotary brush	Rotierende Bürste	Brosse rotative	Roterende børste				x
2	3001211	O-Ring	O-Ring	Joint torique	O-ring				1

Garden brush, Rim brush
Garten Bürste, Felgenbürste / Brosse de jardin , brosse pour jantes / Havebørste, fælgbørste



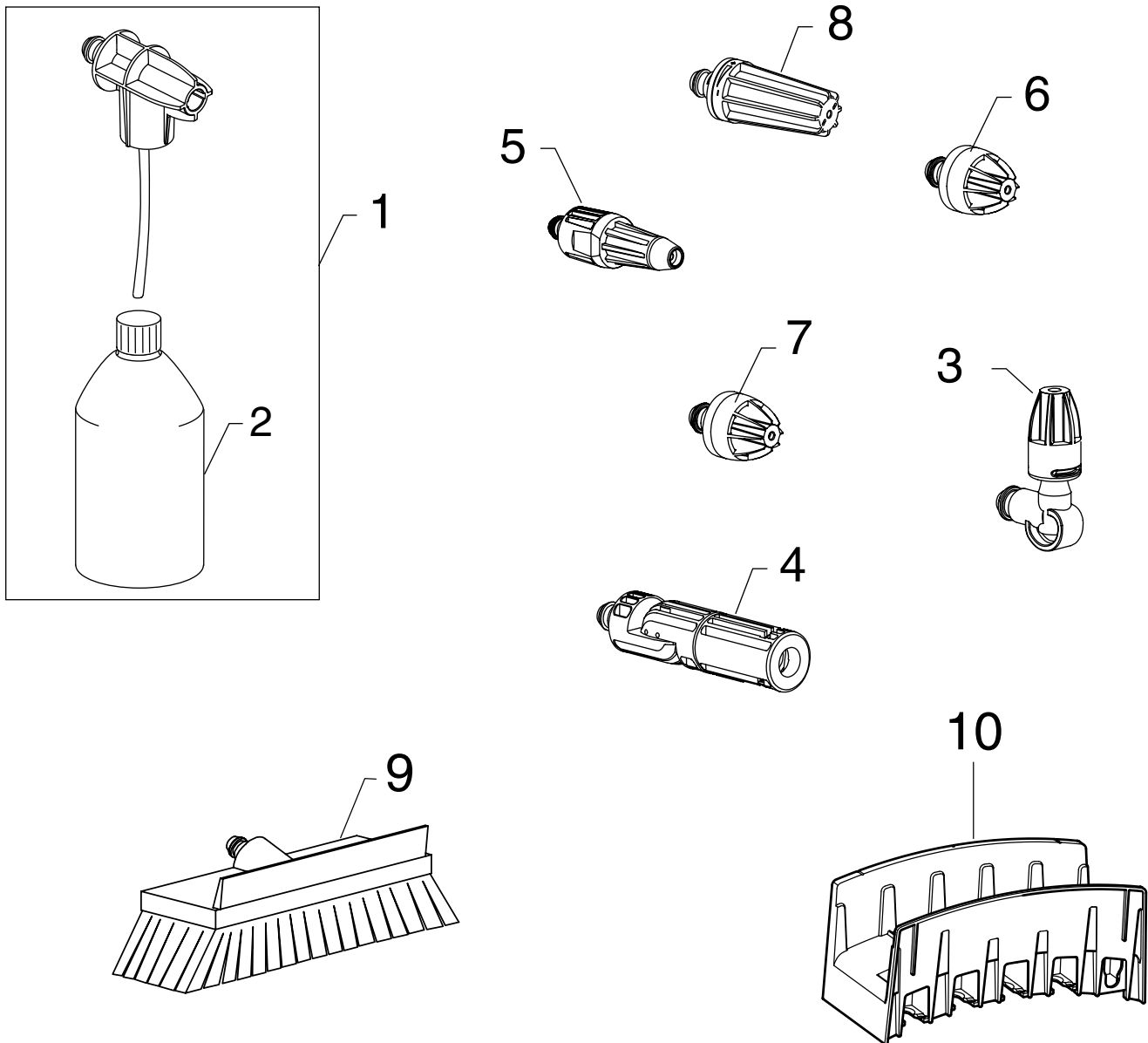
Pos.	No.	Description	Bezeichnung	Désignation	Betegnelse	Comment Bemerkung Remarque Bemærkning	Rec. Part	Garden brush	Rim brush
-	106411325	Garden brush	Garten Bürste	Brosse de jardin	Havebørste			X	
-	106411326	Rim brush	Felgenbürste	Brosse pour jantes	Fælgbørste				X
1	6411678	Lock bracket	Verschlussbügel	Cips de maintien	Låsekrampe			1	1
2	106411327	Brush, black	Bürste, schwarz	Brosse, noir	Børste, sort			1	
2	106411328	Brush, red	Bürste, rot	Brosse, rouge	Børste, rød				1
3	3004279	O-Ring	O-Ring	Joint torique	O-ring			1	1

Underchassis spray lance
Unterbodenstrahlrohr / Lance courbe p. chassis / Undervognsvasker



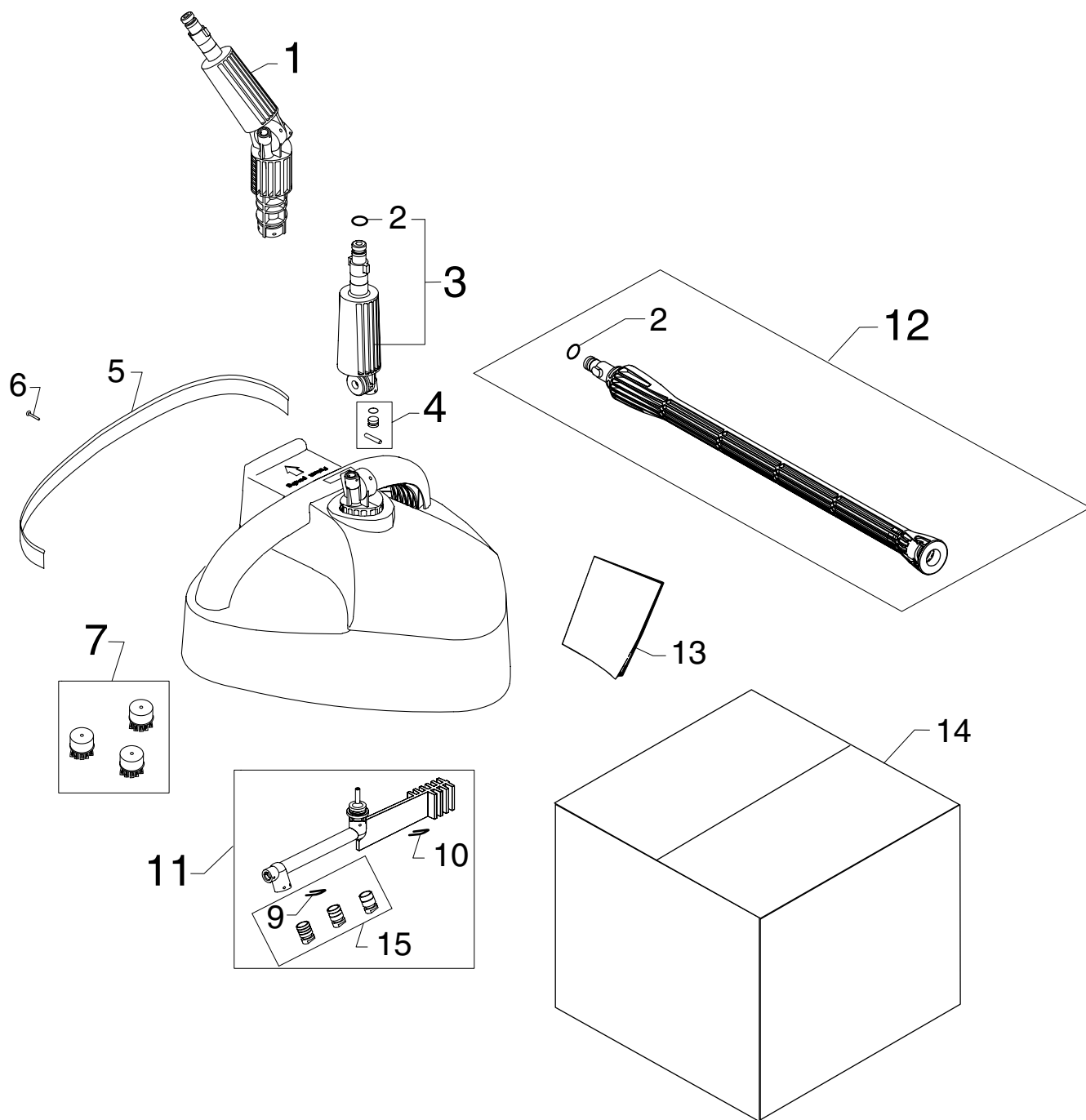
Pos.	No.	Description	Bezeichnung	Désignation	Betegnelse	Comment Bemerkung Remarque Bemærkning	Rec. Part		
1	6410763	Underchassis lance	Unterbodenstrahlrohr	Lance courbe p. chassis	Undervognsvasker				X
2	2800076	Nozzle cap	Düsenmantel	Protecteur-buse	Dysekappe				1
3	1608801	Socket	Muffe	Manchon	Muffe				1
5	6120486	Nipple	Nippel	Entrée du raccord	Nippel				1
6	3001211	O-Ring	O-Ring	Joint torique	O-ring				1

Click & Clean



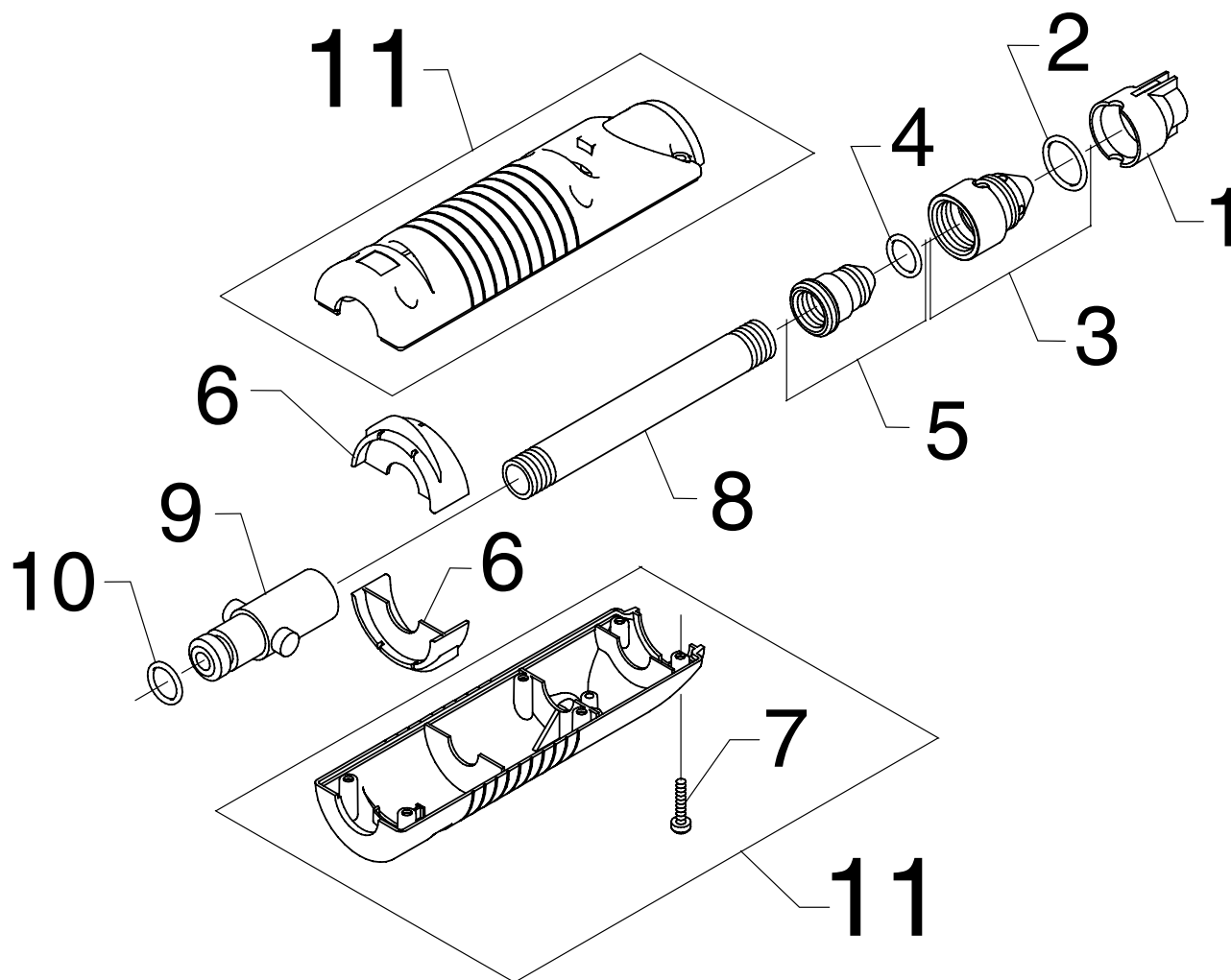
Pos.	No.	Description	Bezeichnung	Désignation	Betegnelse	Comment Bemerkung Remarque Bemærkning	Rec. Part	
1	6411132	Foam sprayer	Schaumsprühgerät	Pulvérisateur	Skumsprayer			1
2	6411191	Mixer bottle	Mixerflasche	Bidon mixeur	Mixerflaske			1
2	5304912	Mixer bottle, USA	Mixerflasche	Bidon mixeur	Mixerflaske	USA		1
3	6411135	Undercarriage spray nozzle	Unterboden-waschdüse	Buse courbe pour châssis	Undervognsvaskedyse			1
4	6411138	Multi angle adaptor	Multiwinkeladapter	Adaptateur multi-angle	Multivinkel adaptor			1
5	6411133	POWERSPEED® nozzle	POWERSPEED® Düse	Buse POWERSPEED®	POWERSPEED® dyse			1
6	6411333	TORNADO nozzle FORCE	TORNADODüse FORCE	Buse TORNADO FORCE	Dyse TORNADO FORCE	20.01.03 ⇒		1
6	6411146	TORNADO nozzle FORCE	TORNADODüse FORCE	Buse TORNADO FORCE	Dyse TORNADO FORCE	⇒ 19.01.03		1
6	6411148	TORNADO nozzle DYNAMIC 130bar	TORNADODüse DYNAMIC 130bar	Buse TORNADO DYNAMIC 130bar	Dyse TORNADO DYNAMIC 130bar	DYNAMIC 130bar		1
6	6411149	TORNADO nozzle DYNAMIC 140bar	TORNADODüse DYNAMIC 140bar	Buse TORNADO DYNAMIC 140bar	Dyse TORNADO DYNAMIC 140bar	DYNAMIC 140bar		1
7	6411136	Auto nozzle	Autodüse	Buse auto	Autoddyse			1
8	6411764	TORNADO PR "4"	TORNADO PR	TORNADO PR	TORNADO PR	C 110, C120.1, (FORCE E 120 bar)		1
8	6411760	TORNADO PR "non"	TORNADO PR	TORNADO PR	TORNADO PR	(FORCE E 110 bar)		1
8	6411761	TORNADO PR "1"	TORNADO PR	TORNADO PR	TORNADO PR	E130.1, E135.1 (E125)		1
8	6411762	TORNADO PR "2"	TORNADO PR	TORNADO PR	TORNADO PR	E140.1, E145.1 (E135), C100.2		1
9	6411131	Auto brush	Autobürste	Brosse auto	Autobørste			1
10	106411344	Wall rack w. screw	Wandgestell m. Schraube	Support mural avec vis	Vægbeslag m. skruer			x

Patio Cleaner



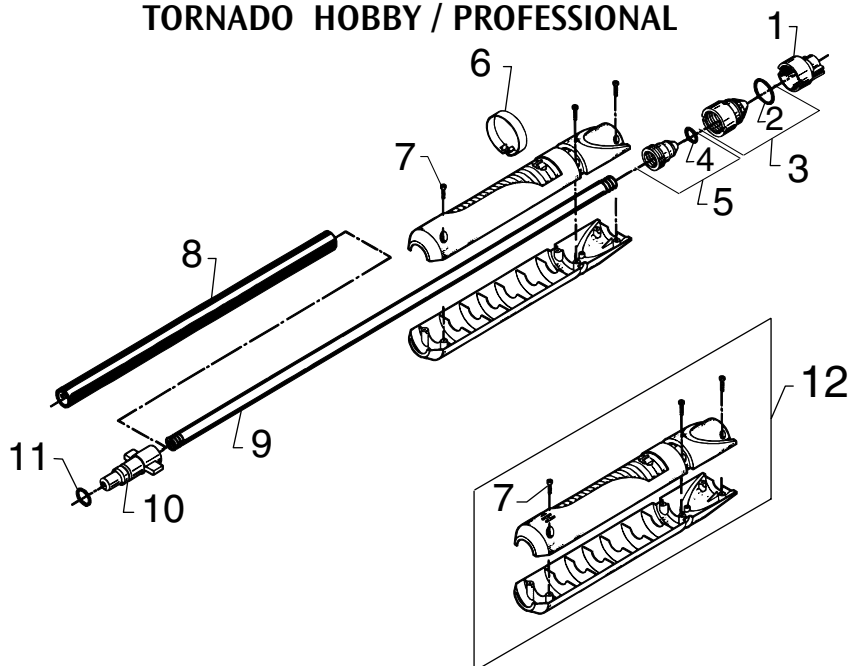
Pos.	No.	Description	Bezeichnung	Désignation	Betegnelse	Comment Bemerkung Remarque Bemærkning	Rec. Part	Patio Cleaner
-	6411150	Patio Cleaner	Patio Cleaner	Patio Cleaner	Patio Cleaner			x
1	106411162	Knuckle joint, compl.	Winkelgelenk, kompl.	Joint à l'interieur, compl.	Knækled, kompl.			1
2	3004279	O-Ring	O-Ring	Joint torique	O-ring			1
3	6411161	Swivel joint, compl.	Gelenk, kompl.	Tournante, compl.	Drejeled, kompl.			1
4	6411732	Kit, plug + pin	Satz, Pfropfen + Stift	Kit bouchon & goupille	Sæt, prop + stift			1
5	6411579	Rubber seal	Gummileiste	Joint en caoutchouc	Gummiliste			1
6	1814665	Tubular rivet	Niet	Rivet	Popnitte			3
7	6411733	Brush (3 pcs.)	Bürste (3 Stck.)	Brosse (3 pcs.)	Børste (3 stk.)			1
9	6411550	Lock bracket Ø2x18,8	Verschlussbügel	Clips de maintien	Låsekrampe f. dyse			1
10	6411552	Lock bracket Ø2,5x32,5	Verschlussbügel	Clips de maintien	Låsekrampe f. rotorarm			1
11	106411744	Rotor arm, compl.	Rotorarm, kompl.	Bras rotatif, compl.	Rotorarm, kompl.			1
12	6410595	Spray lance w. O-Ring	Sprührohr m. O-Ring	Lance a. joint torique	Dyserør m. O-ring			1
13	6410505	Application guide	Applikationsanweisung	Guide d'applications	Applikations guide			1
14	2105821	Packing	Verpackung	Emballage	Emballage			1
15	6411214	Kit, nozzles	Satz, Düsen	Kit, buses	Sæt, dyser			1

TORNADO DYNAMIC / PRO



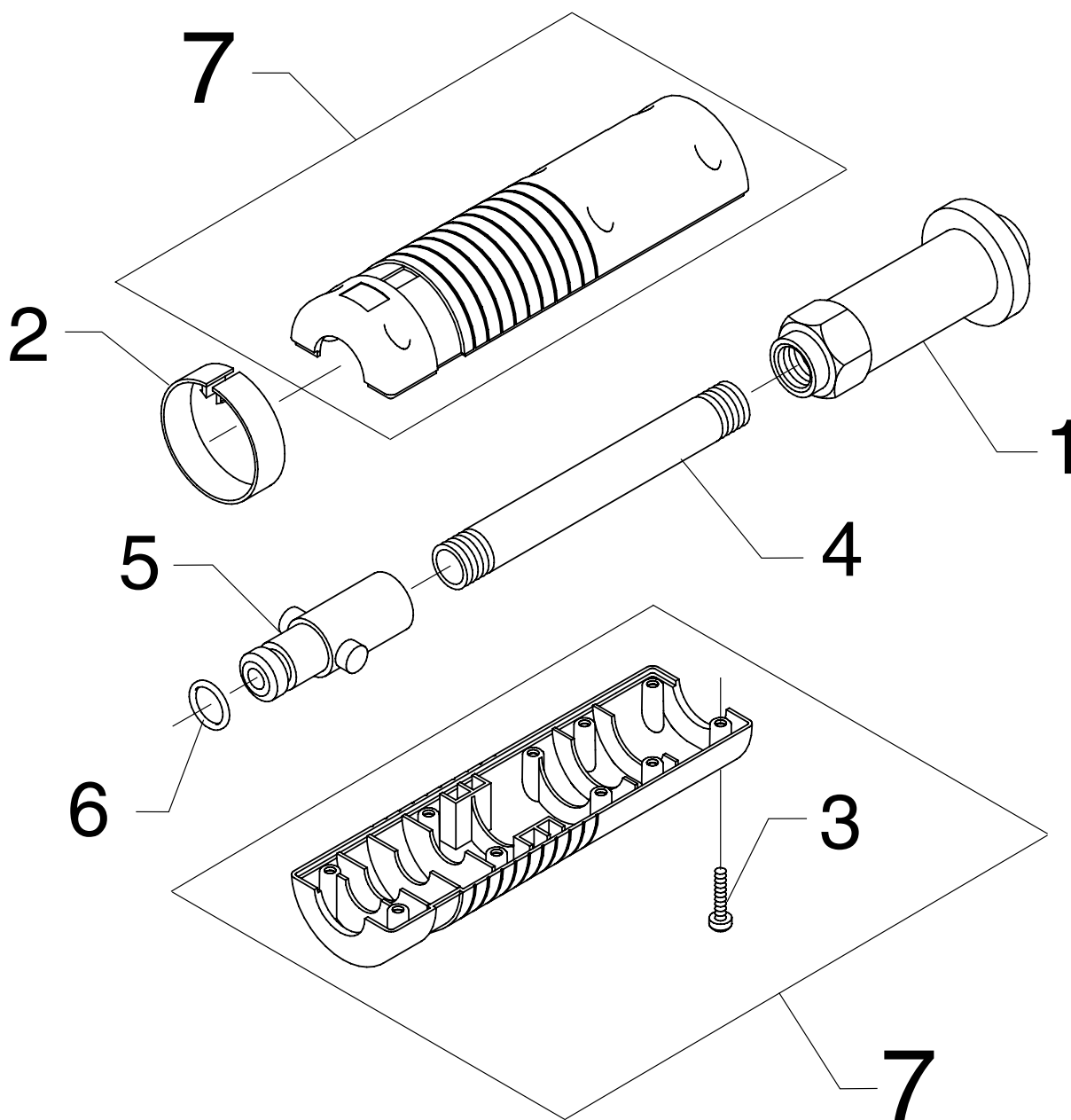
Pos.	No.	Description	Bezeichnung	Désignation	Betegnelse	Comment Bemerkung Remarque Bemærkning	Rec. Part	DYNAMIC	PRO
-	6411185	TORNADO spray lance green / grün / vert / grøn	TORNADO Sprührohr	Lance TORNADO	TORNADO dyserør			x	
-	6411187	TORNADO spray lance bronze	TORNADO Sprührohr	Lance TORNADO	TORNADO dyserør				x
1	6525260	Low pressure nozzle	Niederdruckdüse	Buse, basse pression	Lavtryksdyse		1	1	
2	3000478	O-Ring	O-Ring	Joint torique	O-ring		1	1	
3	6523026	High pressure nozzle green / grün / vert / grøn	Hochdruckdüse	Buse haut pression	Højtryksdyse		1		
3	6523030	High pressure nozzle bronze	Hochdruckdüse	Buse haut pression	Højtryksdyse				1
4	3004246	O-Ring	O-Ring	Joint torique	O-ring		1	1	
5	6523021	Seat, compl.	Sitz, kompl.	Siège, compl.	Sæde, kompl.		1	1	
6	6525250	Nozzle indication ring green / grün / vert / grøn	Düsenmarkierungsring	Anneau de marquage buse	Dysemærkeringsring		1		
6	6525253	Nozzle indication ring bronze	Düsenmarkierungsring	Anneau de marquage buse	Dysemærkeringsring				1
7	1814585	Screw	Schraube	Vis	Skruer		1	1	
8	6525239	Tube	Rohr	Tube	Rør		1	1	
9	6525221	Nipple	Nippel	Entrée du raccord	Nippel		1	1	
10	3004279	O-Ring	O-Ring	Joint torique	O-ring		1	1	
11	6526169	Kit, shells for spray lance	Satz, Schalen f.Sprührohr	Kit, lance (carter)	Sæt, dyserørsskaller		1	1	

TORNADO HOBBY / PROFESSIONAL



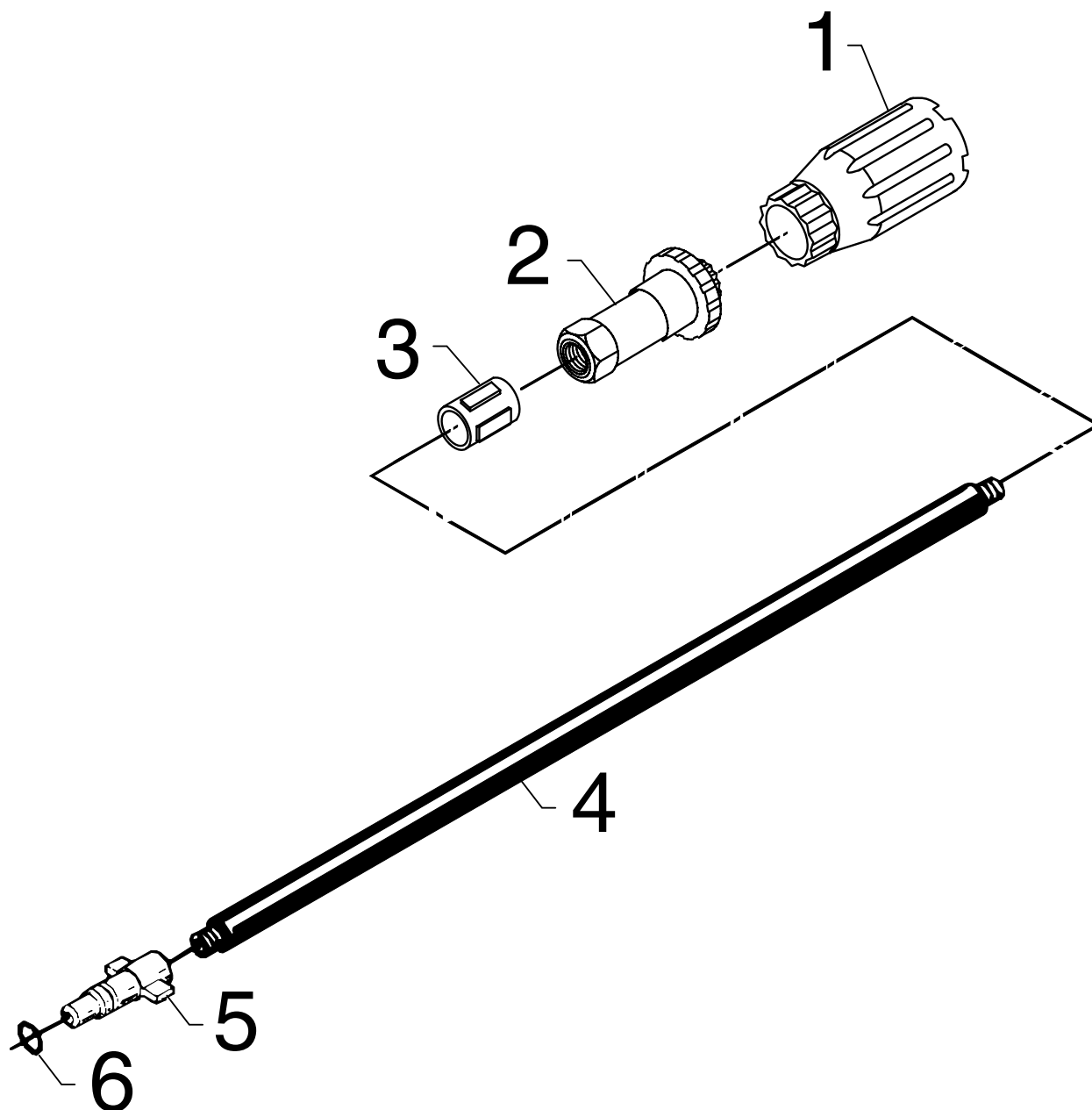
Pos.	No.	Description	Bezeichnung	Désignation	Betegnelse	Comment Bemerkung Remarque Bemærkning	Rec. Part	HOBBY	Professional
-	-	TORNADO spray lance violet / violett / violancé	TORNADO Sprühhrohr	Lance TORNADO	TORNADO dyserer				x
-	-	TORNADO spray lance bronze	TORNADO Sprühhrohr	Lance TORNADO	TORNADO dyserer				x
-	6410883	TORNADO spray lance blue / blau / bleu	TORNADO Sprühhrohr	Lance TORNADO	TORNADO dyserer		x		
-	6410884	TORNADO spray lance red / rot / rouge / rød	TORNADO Sprühhrohr	Lance TORNADO	TORNADO dyserer		x		
-	6410885	TORNADO spray lance green / grøn / vert / grøn	TORNADO Sprühhrohr	Lance TORNADO	TORNADO dyserer		x		
1	6522769	Low pressure nozzle	Niederdruckdüse	Buse, haut pression	Lavtryksdyse		1	1	
2	3000478	O-Ring	O-Ring	Joint torique	O-ring		1	1	
3	6523028	Kit, high pressure nozzle violet / violett / violancé	Satz, Hochdruckdüse	Kit, buse haut pression	Sæt, højtryksdyse				1
3	6523030	Kit, high pressure nozzle bronze	Satz, Hochdruckdüse	Kit, buse haut pression	Sæt, højtryksdyse				1
3	6523022	Kit, high pressure nozzle blue / blau / bleu	Satz, Hochdruckdüse	Kit, buse haut pression	Sæt, højtryksdyse			1	
3	6523024	Kit, high pressure nozzle red / rot / rouge / rød	Satz, Hochdruckdüse	Kit, buse haut pression	Sæt, højtryksdyse			1	
3	6523026	Kit, high pressure nozzle green / grøn / vert / grøn	Satz, Hochdruckdüse	Kit, buse haut pression	Sæt, højtryksdyse	Hobby 3000		1	
3	6523053	Kit, high pressure nozzle green/grün/vert/grøn 2	Satz, Hochdruckdüse	Kit, buse haut pression	Sæt, højtryksdyse	Hobby 1200/1500		1	
3	6523053	Kit, high pressure nozzle green/grün/vert/grøn 3	Satz, Hochdruckdüse	Kit, buse haut pression	Sæt, højtryksdyse	Hobby 1000		1	
4	3004246	O-Ring	O-Ring	Joint torique	O-ring		1	1	
5	6523021	Seat, compl.	Sitz, kompl.	Siège, kompl.	Sæde, kompl.		1	1	
6	6523224	Nozzle indication ring, violet/violett/violacé	Düsenmarkierungsring	Anneau de marquage buse	Dysemarkeringsring				1
6	6523223	Nozzle indication ring, bronze	Düsenmarkierungsring	Anneau de marquage buse	Dysemarkeringsring				1
6	6523221	Nozzle indication ring, blue/blau/bleu/blå	Düsenmarkierungsring	Anneau de marquage buse	Dysemarkeringsring			1	
6	6523220	Nozzle indication ring, red/rot/rouge/rød	Düsenmarkierungsring	Anneau de marquage buse	Dysemarkeringsring			1	
6	6523222	Nozzle indication ring, green/grün/vert/grøn	Düsenmarkierungsring	Anneau de marquage buse	Dysemarkeringsring	Hobby 3000		1	
6	6523225	Nozzle indication ring, green/grün/vert/grøn 2	Düsenmarkierungsring	Anneau de marquage buse	Dysemarkeringsring	Hobby 1200/1500		1	
6	6523226	Nozzle indication ring, green/grün/vert/grøn 3	Düsenmarkierungsring	Anneau de marquage buse	Dysemarkeringsring	Hobby 1000		1	
7	1814585	Screw	Schraube	Vis	Skrue		6	6	
8	6522789	PVC cover	PVC-Hülle	Couverture PVC	PVC-overtræk		1	1	
9	6522790	Tube	Rohr	Tube	Rør		1	1	
10	6120486	Nipple	Nippel	Entrée du raccord	Nippel		1	1	
11	3001211	O-Ring	O-Ring	Joint torique	O-ring		1	1	
12	6523045	Kit, spray lance shells	Satz, Sprühhrohr Schalen	Kit, lance (carter)	Sæt, dyserersskaller		1	1	

POWERSPEED DYNAMIC / PRO



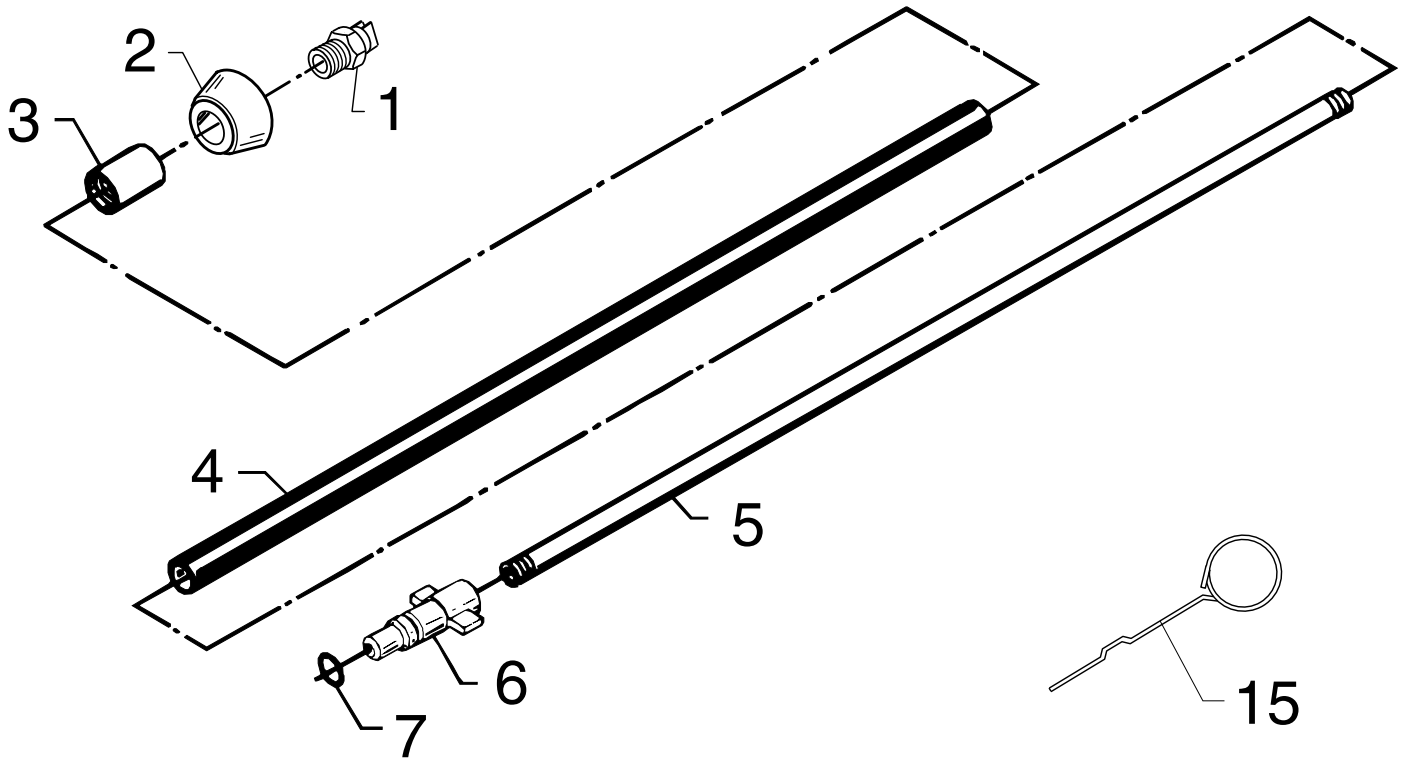
Pos.	No.	Description	Bezeichnung	Désignation	Betegnelse	Comment Bemerkung Remarque Bemærkning	Rec. Part	DYNAMIC	PRO
-	6411054	POWERSPEED spray lance green / grün / vert / grøn	POWERSPEED Sprührohr	Lance POWERSPEED	POWERSPEED dyserør			x	
-	6411172	POWERSPEED spray lance Red / rot / rouge / rød	POWERSPEED Sprührohr	Lance POWERSPEED	POWERSPEED dyserør				x
1	6526045	Nozzle unit, green	Düseninheit, grün	Unité-buse, vert	Dyseenhed, grøn			1	
1	6411711	Nozzle unit, red	Düseninheit, rot	Unité-buse, rouge	Dyseenhed, rød				1
2	6526046	Nozzle indication ring, green	Düsenmarkierungsring, grün	Anneau de marquage buse, vert	Dysemarkeringsring, grøn			1	
2	6526055	Nozzle indication ring, red	Düsenmarkierungsring, rot	Anneau de marquage buse, rouge	Dysemarkeringsring, rød				1
3	1814585	Screw	Schraube	Vis	Skruer			1	1
4	6526048	Tube	Rohr	Tube	Rør			1	1
5	6525221	Nipple	Nippel	Entrée du raccord	Nippel			1	1
6	3004279	O-Ring	O-Ring	Joint torique	O-ring			1	1
7	6526047	Kit, shells for spray lance	Satz, Schalen f.Sprührohr	Kit, lance (carter)	Sæt, dyserørsskaller			1	1

POWERSPEED Hobby / Professional



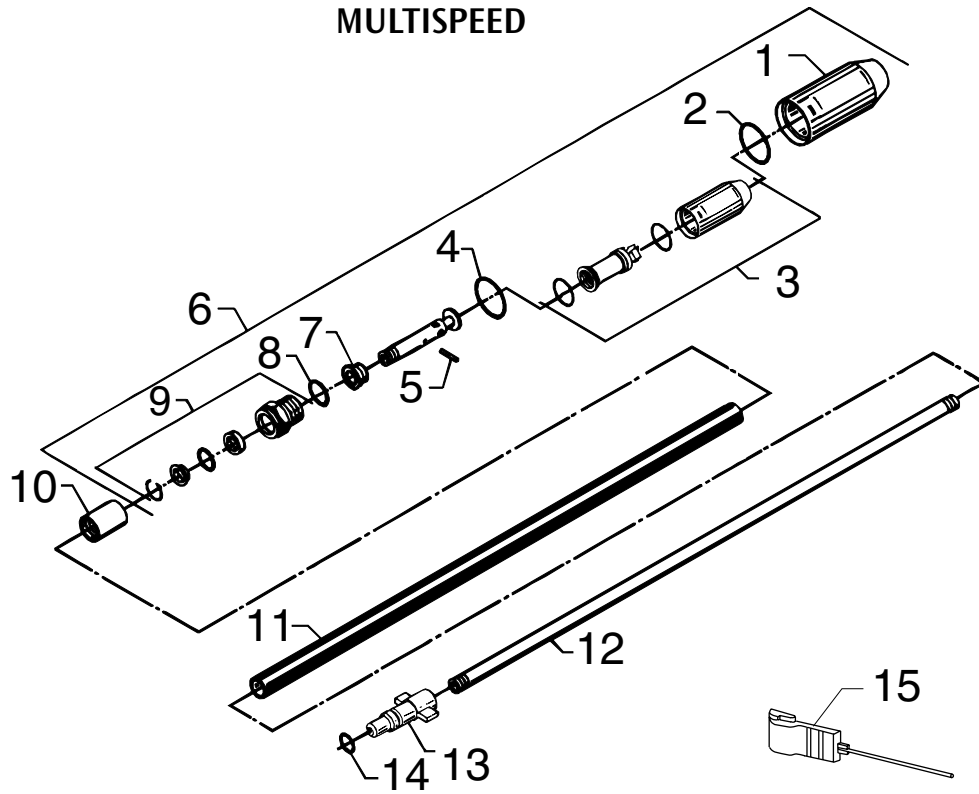
Pos.	No.	Description	Bezeichnung	Désignation	Betegnelse	Comment Bemerkung Remarque Bemærkning	Rec. Part	Hobby	Professional
-	6411050	POWERSPEED spray lance red / rot / rouge / rød	POWERSPEED Sprührohr	Lance POWERSPEED	POWERSPEED dyserør	Hobby		x	
-	6411059	POWERSPEED spray lance green / grùn / vert / grøn	POWERSPEED Sprührohr	Lance POWERSPEED	POWERSPEED dyserør	Professional			x
1	6411118	Nozzle cap	Düsenmantel	Protecteur-buse	Dysekappe			1	1
2	6411711	Nozzle unit	Düseninheit	Unité-buse	Dyseenhed			1	
2	6411712	Nozzle unit	Düseninheit	Unité-buse	Dyseenhed				1
3	6411436	Nozzle indication ring, red/rot/rouge/rød	Düsenmarkierungsring	Anneau de marquage buse	Markeringsring			1	
3	6411437	Nozzle indication ring, Green/grùn/vert/grøn	Düsenmarkierungsring	Anneau de marquage buse	Markeringsring				1
4	6411119	Tube	Rohr	Tube	Rør			1	1
5	6120486	Nipple	Nippel	Entrée du raccord	Nippel			1	1
6	3001211	O-Ring	O-Ring	Joint torique	O-ring			1	1

Basic spray lance
Basic Sprührohr / Lance Basic / Basic dyserør



Pos.	No.	Description	Bezeichnung	Désignation	Betegnelse	Comment Bemerkung Remarque Bemærkning	Rec. Part	Basic lance
-	-	Basic spray lance	Basic Sprührohr	Lance Basic	Basic dyserør			x
1	6125136	High pressure nozzle	Hochdruckdüse	Buse haute pression	Højtryksdyse			1
2	6125125	Nozzle cap	Düsenmantel	Protecteur-buse	Dysekappe			1
3	6122544	Bush, red/rot/rouge/rød	Buchse	Bague	Bøsning			1
4	6122526	PVC cover	PVC-Hülle	Couverture PVC	PVC-overtræk			1
5	6240918	Tube	Rohr	Tube	Rør			1
6	6120486	Nipple	Nippel	Entrée du raccord	Nippel			1
7	3001211	O-Ring	O-Ring	Joint torique	O-ring			
15	6401654	Cleaning tool, black	Düsenreinigungsnadel, schwarz	Aiguille de débouchage p. buse, noir	Dyserensenål, sort			1

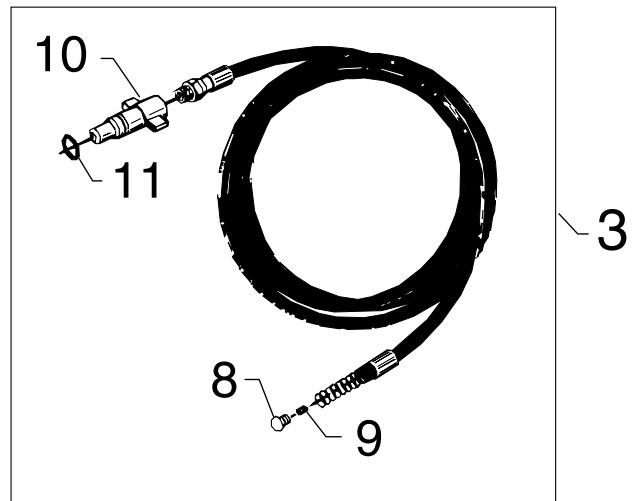
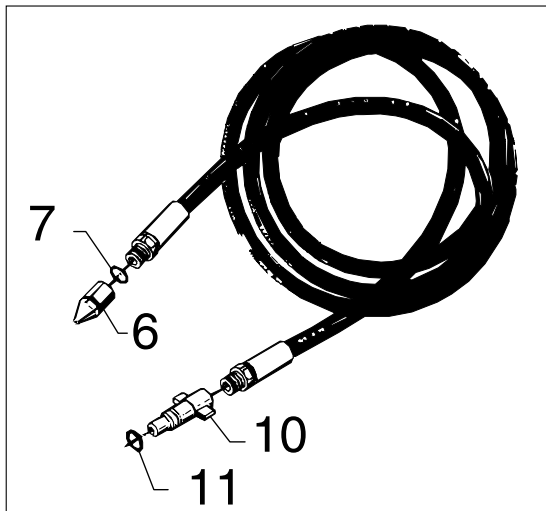
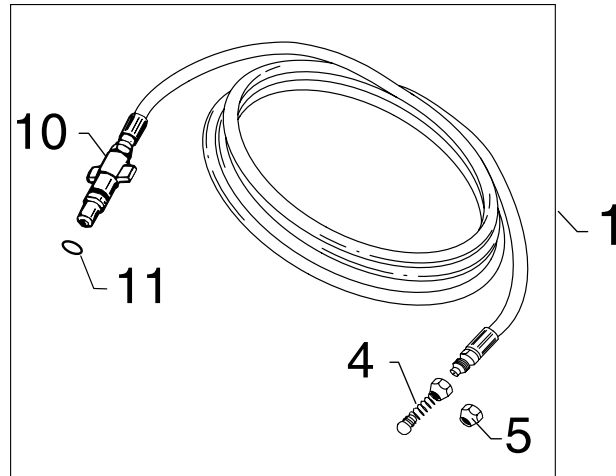
MULTISPEED



Pos.	No.	Description	Bezeichnung	Désignation	Betegnels	Comment Bemerkung Remarque Bemærkning	Rec. Part	MULTISPEED
-	-	MULTISPEED spray lance violet / violett / violacé	MULTISPEED Sprühdüse	Lance MULTISPEED	MULTISPEED dyserør	120bar		x
-	-	MULTISPEED spray lance bronze	MULTISPEED Sprühdüse	Lance MULTISPEED	MULTISPEED dyserør	130bar		x
-	-	MULTISPEED spray lance blue / blau / bleu	MULTISPEED Sprühdüse	Lance MULTISPEED	MULTISPEED dyserør			x
-	-	MULTISPEED spray lance red / rot / rouge / rød	MULTISPEED Sprühdüse	Lance MULTISPEED	MULTISPEED dyserør			x
-	-	MULTISPEED spray lance green / grün / vert / grøn	MULTISPEED Sprühdüse	Lance MULTISPEED	MULTISPEED dyserør	01.01.95 =>		x
-	-	MULTISPEED spray lance orange	MULTISPEED Sprühdüse	Lance MULTISPEED	MULTISPEED dyserør	=> 31.12.94		x
1	6120525	Nozzle cap	Düsenmantel	Protecteur-buse	Dysekappe			1
2	3000262	O-Ring	O-Ring	Joint torique	O-ring			1
3	6123634	Kit, low pressure nozzle	Satz, Niederdruckdüse	Kit, buse basse pression	Sæt, lavtryksdyse			1
6	6124288	Kit, high pressure nozzle violet / violett / violacé	Satz, Hochdruckdüse	Kit, buse haut pression	Sæt, højtryksdyse			1
6	6124287	Kit, high pressure nozzle bronze	Satz, Hochdruckdüse	Kit, buse haut pression	Sæt, højtryksdyse			1
6	6122657	Kit, high pressure nozzle blue / blau / bleu	Satz, Hochdruckdüse	Kit, buse haut pression	Sæt, højtryksdyse			1
6	6410575	Kit, high pressure nozzle red / rot / rouge / rød	Satz, Hochdruckdüse	Kit, buse haut pression	Sæt, højtryksdyse			1
6	6410591	Kit, high pressure nozzle green / grün / vert / grøn	Satz, Hochdruckdüse	Kit, buse haut pression	Sæt, højtryksdyse	01.01.95 =>		1
6	6410582	Kit, high pressure nozzle orange	Satz, Hochdruckdüse	Kit, buse haut pression	Sæt, højtryksdyse	=> 31.12.94		1
7	3001815	U-sleeve	U-Manschette	Joint-U	U-manchet			1
8	3001807	O-Ring	O-Ring	Joint torique	O-ring			2
9	6123635	Union nut	Überwurfmutter	Ecrou	Omløber			1
10	6124190	Bush, violet/violett/violacé	Buchse	Bague	Bøsning			1
10	6124166	Bush, bronze	Buchse	Bague	Bøsning			1
10	6121450	Bush, blue/blau/bleu/blå	Buchse	Bague	Bøsning			1
10	6122544	Bush, red/rot/rouge/rød	Buchse	Bague	Bøsning			1
10	6125137	Bush, green/grün/vert/grøn	Buchse	Bague	Bøsning			1
10	6122609	Bush, orange	Buchse	Bague	Bøsning			1
11	6122526	PVC cover	PVC-Hülle	Couverture PVC	PVC-overtræk			1
12	6240918	Tube	Rohr	Tube	Rør			1
13	6120486	Nipple	Nippel	Entrée du raccord	Nippel			1
14	3001211	O-Ring	O-Ring	Joint torique	O-ring			1
15	6520844	Cleaning tool, black	Düsenreinigungsnadel, schwarz	Aiguille de débouchage p. buse, noir	Dyserensenål, sort			1

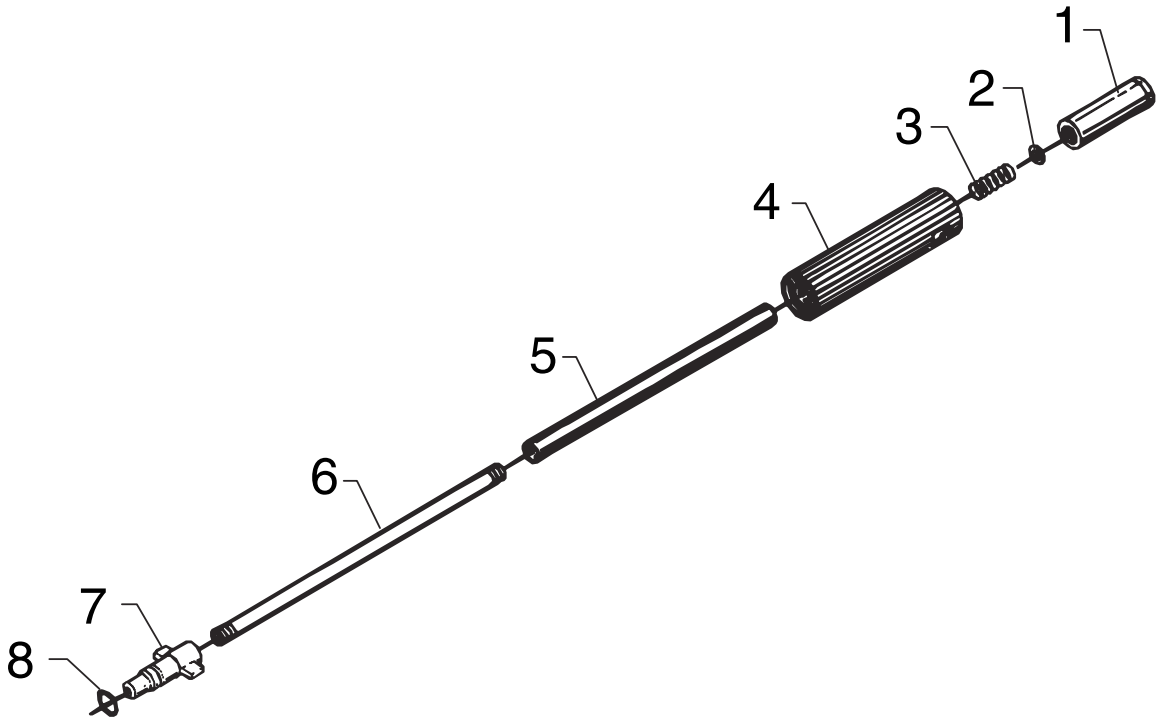
Drain & Tube Cleaner

Abfluß- & Rohrreiniger / Débouch. de - & nettoyeur de canal. / Kloak & rørrensers



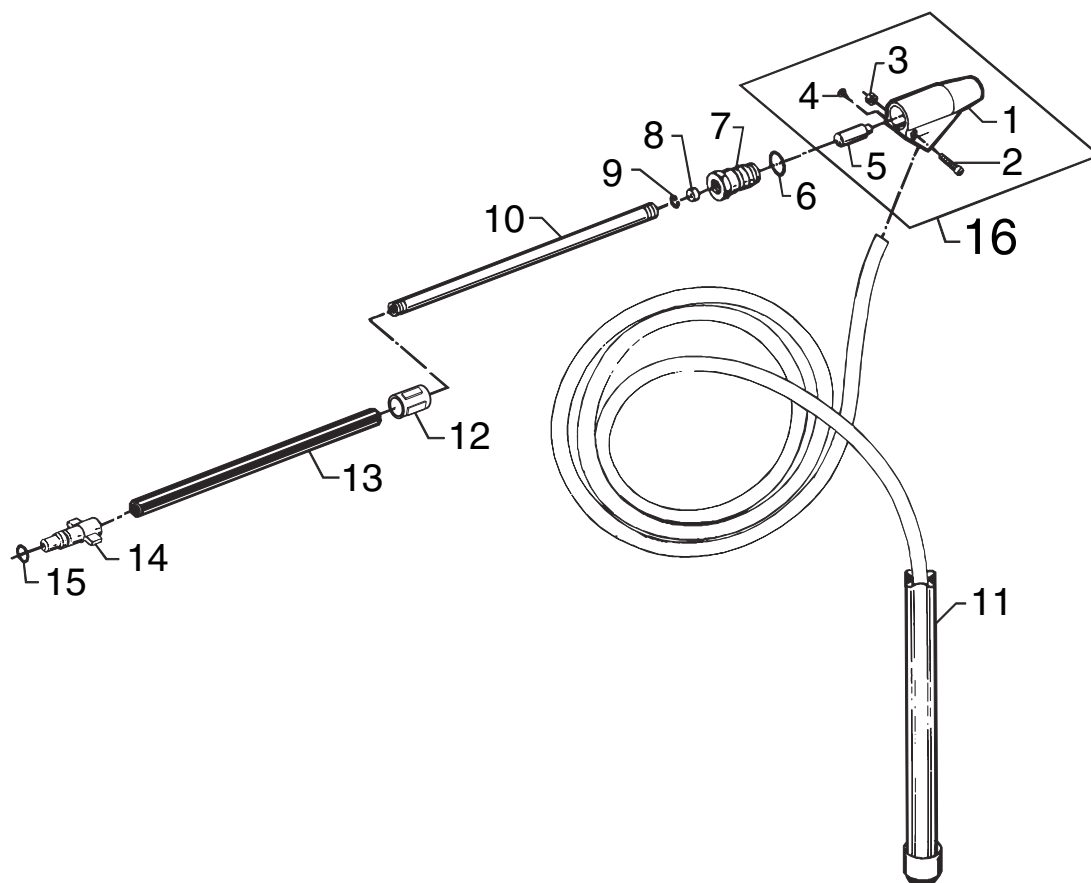
Pos.	No.	Description	Bezeichnung	Désignation	Betegnelse	Comment Bemerkung Remarque Bemærkning	Rec. Part	Tube cleaner	Drain cleaner	Tube cleaner
1	6410766	Tube cleaner, compl.	Rohrreiniger, kompl.	Nettoyeur de conalimat.	Rørrensers, kompl.			x		
2	-	Drain cleaner, compl.	Abflußreiniger, kompl.	Débouch. de canal.	Kloakrensers, kompl.	⇒ 31.08.96			x	
3	-	Tube cleaner, compl.	Rohrreiniger, kompl.	Nettoyeur de conalimat.	Rørrensers, kompl.	⇒ 31.08.96				x
4	6410790	Guide spring	Führungsfeder	Ressort	Styrefjeder			1		
5	6410696	Union nut	Überwurfmutter	Ecrou	Omløber			1		
6	6400168	Nozzle	Düse	Buse	Dyse				1	
7	3000072	O-Ring	O-Ring	Joint torique	O-ring				1	
8	6400983	Ball	Kugel	Bille	Kugle					1
9	6400984	Spiral nozzle	Schraubendüse	Buse à vis	Skruedyse					1
10	6120486	Nipple	Nippe	Entrée du raccord	Nippel			1	1	1
11	3001211	O-Ring	O-Ring	Joint torique	O-ring			1	1	1

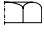
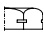


Exension tube
Verlängerungsrohr / Prolongateur de la lance / Forlængerrør



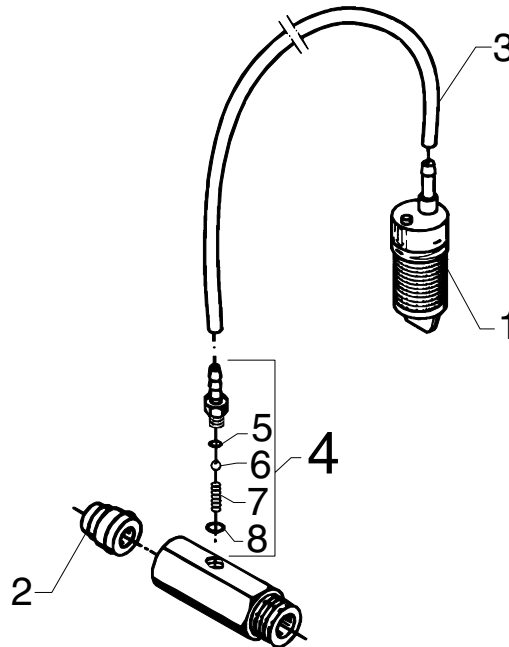
Pos.	No.	Description	Bezeichnung	Désignation	Betegnelse	Comment Bemerkung Remarque Bemærkning	Rec. Part		
-	6410772	Extension tube, compl.	Verlängerungsrohr, komp.	Prolongateur de la lance	Forlængerrør, kompl.				x
1	6120479	Bush	Buchse	Bague	Bøsning				1
2	6120481	Washer	Scheibe	Rondelle	Skive				1
3	2600518	Spring	Feder	Ressort	Fjeder				1
4	6520605	Handle	Griff	Poignée	Greb				1
5	6410564	PVC-tube	PVC-Rohr	Tube PVC	PVC rør				1
6	6122525	Tube	Rohr	Tube	Rør				1
7	6120486	Nipple	Nippel	Entrée du raccord	Nippel				1
8	3001211	O-Ring	O-Ring	Joint torique	O-ring				1

VSB system VSB System / Système de sable / VSB system



Pos.	No.	Description	Bezeichnung	Désignation	Betegnelse	Comment Bemerkung Remarque Bemærkning	Rec. Part	Blue	Red	orange	green
-	6410757	VSB system (blue)	VSB System (blau)	Système de sabl. (bleu)	VSB system (blå)			x			
-	6410758	VSB system (red)	VSB System (rot)	Système de sabl. (rouge)	VSB system (rød)				x		
-	-	VSB system (orange)	VSB System (orange)	Système de sabl. (orange)	VSB system (orange)	⇒ 31.12.94				x	
-	6410891	VSB system (green)	VSB System (grün)	Système de sabl. (vert)	VSB system (grøn)	01.01.95 ⇒					x
1	6400747	Nozzle housing	Düsengehäuse	Corps de buse	Dysehus			1	1	1	
2	1805217	Screw	Schraube	Vis	Skruer			1	1	1	
3	1800697	Nut	Mutter	Écrou	Møtrik			1	1	1	
4	1805209	Screw	Schraube	Vis	Skruer						
5	1118124	Wearing nozzle, 5pcs.	Verschlussdüse, 5 Stck.	Buse d'usure, 5 pcs.	Sliddyse, 5 stk.			1	1	1	
6	3000460	O-Ring	O-Ring	Joint torique	O-ring			1	1	1	
7	6400746	Nozzle	Düse	Buse	Dyse			1			
7	6410118	Nozzle	Düse	Buse	Dyse				1		
7	6410319	Nozzle	Düse	Buse	Dyse	 ⇒ 31.12.94					1
7	6410362	Nozzle	Düse	Buse	Dyse	 01.01.95 ⇒					1
8	6400745	Pre-nozzle	Vordüse	Buse de devant	Fordyse			1	1	1	
9	1803972	Seeger circlip ring	Seeger-Ring	Anneau Seeger	Seegerring			1	1	1	
10	6410139	Tube	Rohr	Tube	Rør			1	1	1	
11	6401329	Suction pipe compl.	Strahlmittelsonde kompl.	Canne plongieuse compl.	Sugespyd kompl.			1	1	1	
12	6410174	Bush (blue)	Buchse (blau)	Bague (bleu)	Bøsning (blå)			1			
12	6410177	Bush (red)	Buchse (rot)	Bague (rouge)	Bøsning (rød)					1	
12	6410321	Bush (orange)	Buchse (orange)	Bague (orange)	Bøsning (orange)						1
12	6411407	Bush (green)	Buchse (grün)	Bague (vert)	Bøsning (grøn)						1
13	6410138	PVC cover	PVC-Hülle	Couverture PVC	PVC overtræk			1	1	1	
14	6120486	Nipple	Nippel	Entrée du raccord	Nippel			1	1	1	
15	3001211	O-Ring	O-Ring	Joint torique	O-ring			1	1	1	
16	6401330	Kit, nozzle housing	Satz, Düsengehäuse	Kit, corps de buse	Sæt, dysehus			1	1	1	
-	6409040	Instructions for use	Bedienungsanleitung	Notice d'utilisation	Betjeningsvejledning			1	1	1	

External injector Externer Injektor / Injecteur externe / Ekstern injektor

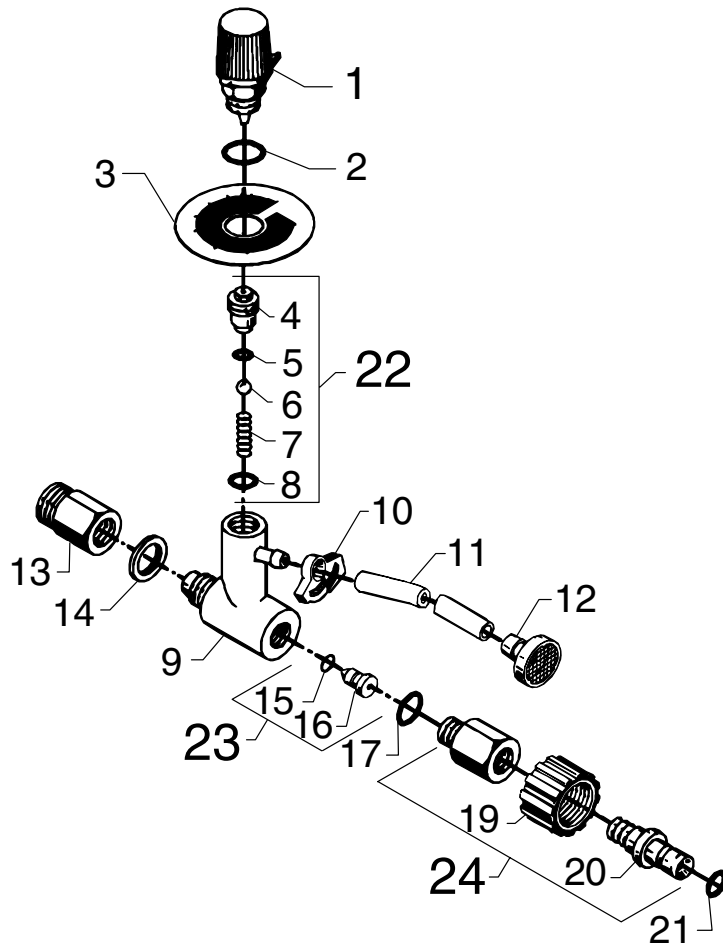


Pos.	No.	Description	Bezeichnung	Désignation	Betegnelse	Comment Bemerkung Remarque Bemærkning	Rec. Part		
-	6410767	External injector	Externer Injektor	Injecteur externe	Ekstern injektor				x
1	6120381	Dosing valve	Dosierungsventil	Soupape de dosage	Doserventil				1
2	6122368	Nipple w. O-Ring	Nippel m. O-Ring	Adapateur a. joint torique	Nippel m. O-ring				1
3	5206636	Hose	Schlauch	Tuyau flexible	Slange				1
4	6411021	Socket compl.	Stutzen kompl.	Raccord compl.	Studs kompl.				1
5	3001492	O-Ring	O-Ring	Joint torique	O-ring				1
6	3400447	Ball	Kugel	Bille	Kugle				1
7	2600013	Spring	Feder	Ressort	Fjeder				1
8	3001500	O-Ring	O-Ring	Joint torique	O-ring				1

- ❑ **ATTENTION!** - Lengths in metres - Please indicate required length when ordering!
- ❑ **ACHTUNG!** - Meterware - Bitte bei Bestellung gewünschte Länge angeben!
- ❑ **ATTENTION!** - Longueurs par mètre - Préciser la longueur à la commande!
- ❑ **BEMÆRK!** - Meterware - Vær venlig at oplyse længde ved bestilling!

External injector

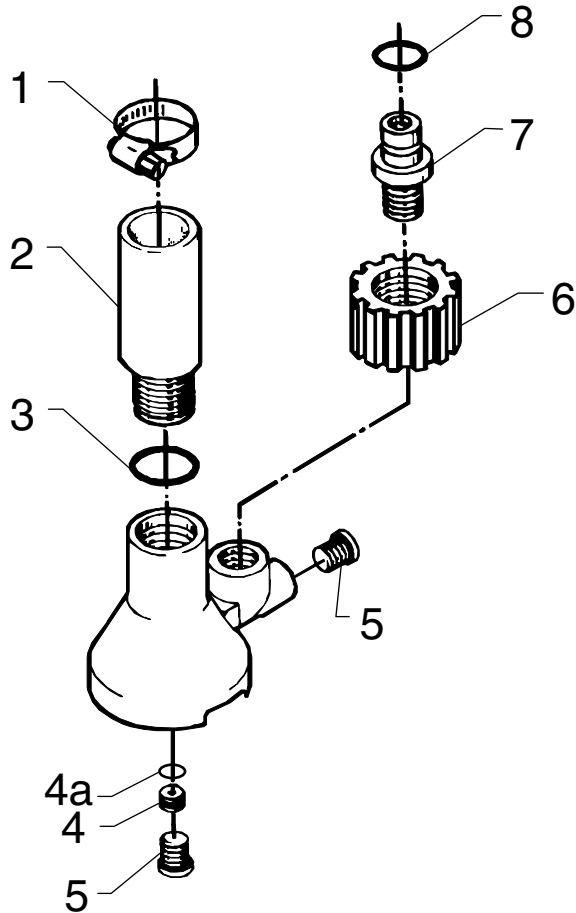
Externer Injektor / Injecteur externe / Ekstern injektor



Pos.	No.	Description	Bezeichnung	Désignation	Betegnelse	Comment Bemerkung Remarque Bemærkning	Rec. Part		
-	-	External injector	Externer Injektor	Injecteur externe	Ekstern injektor				x
1	6101778	Dosing valve	Dosierungsventil	Soupape de dosage	Doserventil				1
2	3001484	O-Ring (green)	O-Ring (grün)	Joint torique (vert)	O-ring (grøn)				1
3	6150692	Scale	Skala	Echelle	Skala				1
4	6101021	Seat	Sitz	Siège	Søde				1
5	3001492	O-Ring	O-Ring	Joint torique	O-ring				1
6	3400447	Ball	Kugel	Bille	Kugle				1
7	2600013	Spring	Feder	Ressort	Fjeder				1
8	3001500	O-Ring	O-Ring	Joint torique	O-ring				1
9	6150689	Injector housing	Injektorgehäuse	Corps d'injecteur	Injektorhus				1
10	1808203	Hose clamp	Schlauchschelle	Collier de serrage	Slangeklemme				1
■ 11	5206054	Hose	Schlauch	Tuyau flexible	Slange				1
12	6400240	Filter	Filter	Filtre	Filter				1
13	6400908	Socket	Stutzen	Raccord	Studs				1
14	1801075	Washer	Scheibe	Rondelle	Skive				1
15	3001518	O-Ring	O-Ring	Joint torique	O-ring				1
16	3400041	Nozzle	Düse	Buse	Dyse				1
17	3000460	O-Ring	O-Ring	Joint torique	O-ring				1
19	106525485	Threaded bush	Gewindebuchse	Manchon taraudé	Gevindbøsning				1
20	6400907	Nipple	Nippel	Raccord	Nippel				1
21	3001211	O-Ring	O-Ring	Joint torique	O-ring				1
22	1119019	Kit, injector	Satz, Injektor	Kit injecteur	Sæt, injektor				1
23	6410020	Threaded bush compl.	Gewindebuchse kompl.	Manchon taraudé compl.	Gevindbøsning kompl.				1

- **ATTENTION!** - Lengths in metres - Please indicate required length when ordering!
- **ACHTUNG!** - Meterware - Bitte bei Bestellung gewünschte Länge angeben!
- **ATTENTION!** - Longueurs par mètre - Préciser la longueur à la commande!
- **BEMÆRK!** - Metervare - Vær venlig at oplyse længde ved bestilling!

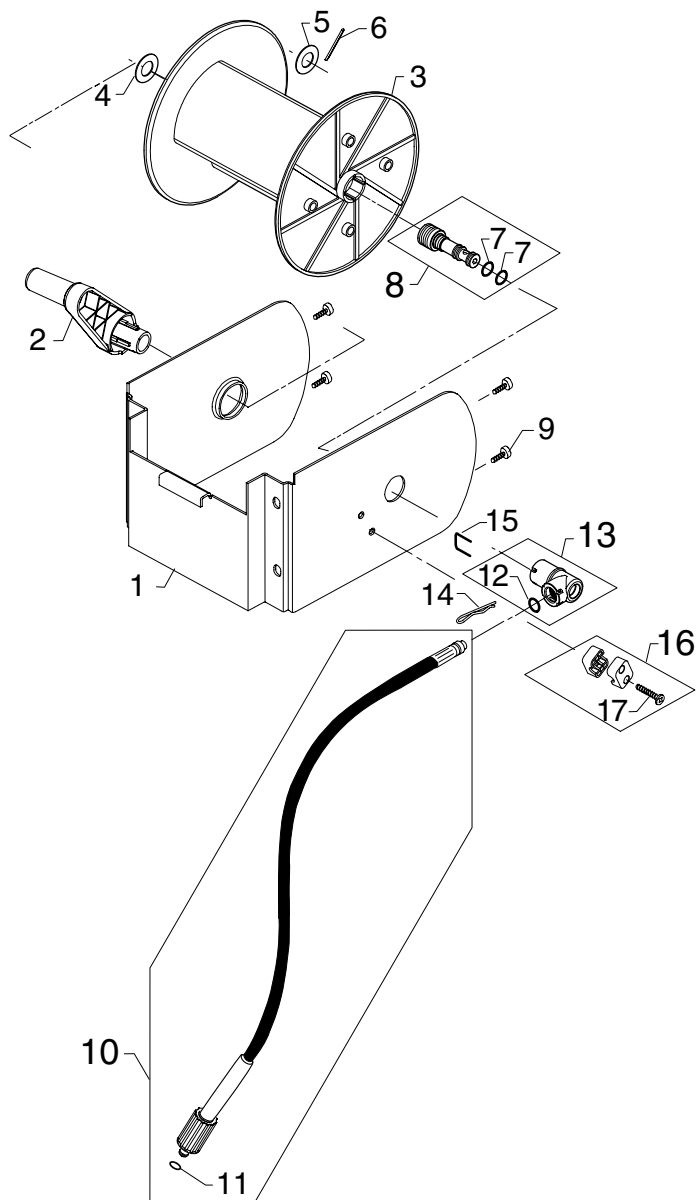
Water suction system
Wasser-Ansaugsystem / Système de vidange d'eau / Vandsuger



Pos.	No.	Description	Bezeichnung	Désignation	Betegnelse	Comment Bemerkung Remarque Bemærkning	Rec. Part	Water suc-
-	6410881	Water suction system	Wasser-Ansaugsystem	Système de vidange d'eau	Vandsuger			x
1	1801869	Hose clip	Schlauchschelle	Collier de serrage	Spændebånd			1
2	6411402	Diffuser	Diffuseur	Diffuseur	Diffuser			1
3	3002045	O-Ring	O-Ring	Joint torique	O-ring			1
4	6411401	Nozzle	Düse	Buse	Dyse			1
4a	3000270	O-Ring	O-Ring	Joint torique	O-ring			1
5	6123655	Plug w. O-Ring	Pfropfen m. O-Ring	Bouchon a. joint torique	Prop m. O-ring			2
6	106525485	Threaded bush	Gewindebuchse	Manchon taraudé	Gevindbøsning			1
7	6400907	Nipple	Nippel	Raccord	Nippel			1
8	3001211	O-Ring	O-Ring	Joint torique	O-ring			1

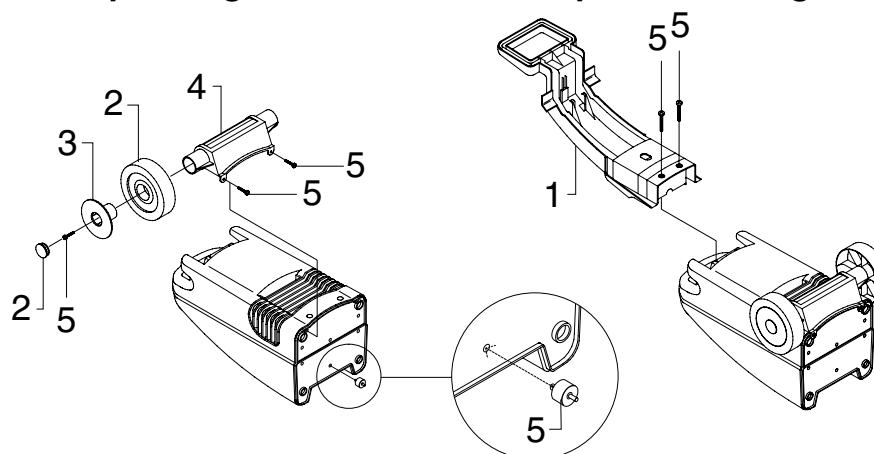
Hose reel PRO

Schlauchtrommel / Enrouleur de flexible / Slangerrulle



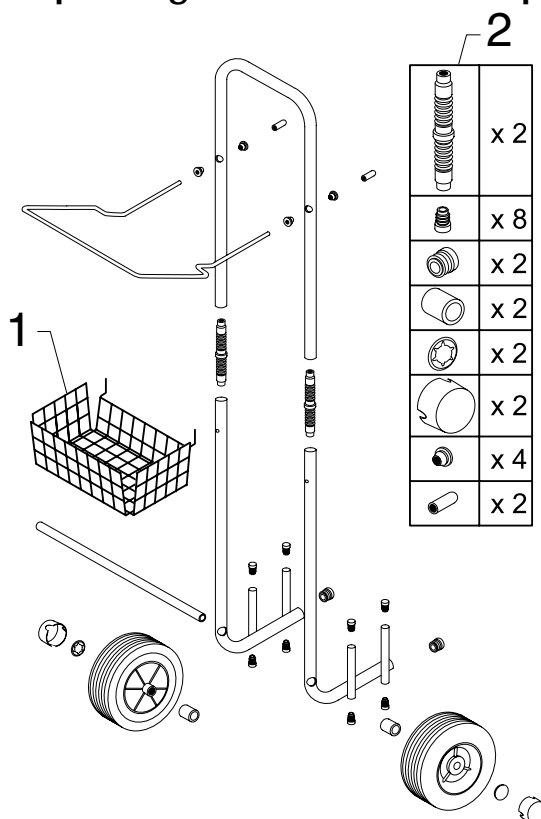
Pos.	No.	Description	Bezeichnung	Désignation	Betegnelse	Comment Bemerkung Bemærkning	Rec. Part	PRO
-	6411210	Hose reel, compl.	Schlauchtrommel, kompl.	Enrouleur de flexible	Slangerrulle	PRO		x
1	6127994	Fittings	Beschlag	Garniture	Beslag			1
2	6127993	Handle	Griff	Poignée	Greb			1
3	6127002	Reel	Trommel	Rouleau	Tromle			1
4	6127995	Washer	Scheibe	Rondelle	Skive			1
5	6127996	Washer	Scheibe	Rondell	Skive			1
6	6127908	Pin	Splint	Goupille	Stift			1
7	3004321	O-Ring	O-Ring	Joint torique	O-ring			2
8	6127017	Nipple, compl.	Nippel, kompl.	Raccord, compl.	Nippel, kompl.			1
9	1804673	Screw	Schraube	Vis	Skrue			4
10	6127018	Connection hose	Verbindungsschlauch	Tuyau de raccordement	Forbindelseslange			1
11	3001211	O-Ring	O-Ring	Joint torique	O-ring			1
12	3002144	O-Ring	O-Ring	Joint torique	O-ring			1
13	6127006	Connector w. Oring	Anschlußteil m. O-Ring	Raccord du flexible avec joint torique	Connector m. O-ring			1
14	6127998	Split pin	Splint	Goupille	plit			1
15	6526487	Lock bracket	Verschlussbügel	Clips de maintien	Låsebøjle			1
16	6127007	Hose support	Schlauchhalter	Support de tuyau	Slangeholder			1
17	1814669	Skruer	Schraube	Vis	Skrue			2

Trolley Hobby 1500 / ACTIVE Transportwagen / Chariot de transport / Kørevogn



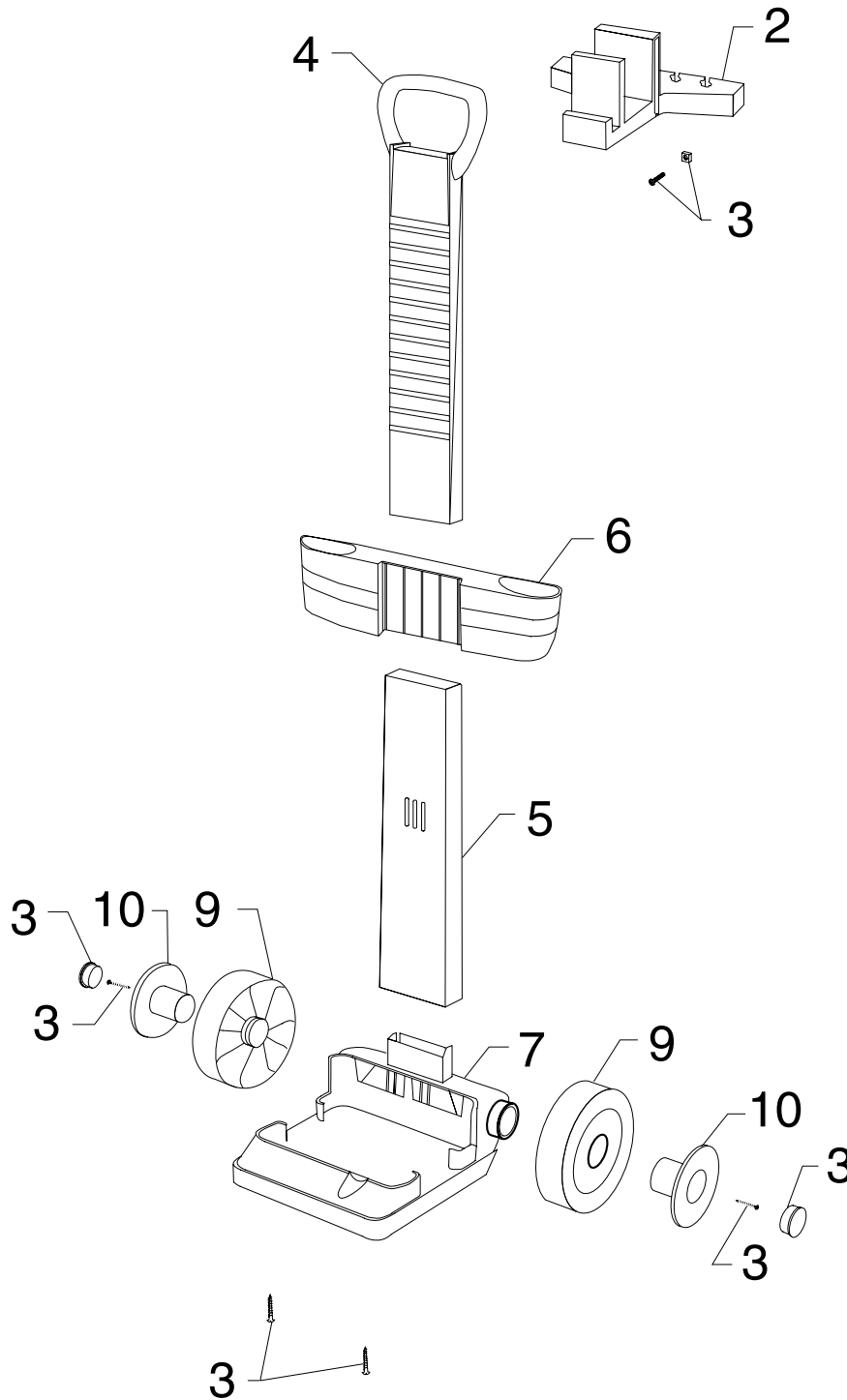
Pos.	No.	Description	Bezeichnung	Désignation	Betegnelse	Comment Bemerkung Bemærkning	Rec. Part	
-	-	Trolley	Transportwagen	Chariot de transport	Kørevogn	Hoby 1500 / ACTIVE		1
1	6521221	Driving handle	Handbügel	Poignée de guidage	Kørehåndtag			1
2	6410398	Wheel	Rad	Roue	Hjul			2
3	6411440	Hub	Nabe	Moyeu	Nav			2
4	6521222	Console	Konsole	Console	Konsol			1
5	6521945	Kit, plug + cleaning tool	Satz, Pfropfen + Düsen- reinigungs-nadel	Kit, bouchon + aiguille de débouchage	Sæt, prop + rensenål			1
-	6129715	Mounting instructions	Montierungsanleitung	Instructions de montage	Montagevejledning			1

Trolley Transportwagen / Chariot de transport / Kørevogn



Pos.	No.	Description	Bezeichnung	Désignation	Betegnelse	Comment Bemerkung Bemærkning	Rec. Part	
-	-	Trolley	Transportwagen	Chariot de transport	Kørevogn			x
1	6410341	Basket f. accessories	Zubehörkorb	Panier pour accessoires	Tilbehørskurv			1
2	6410361	Kit, trolley	Satz, transportwagen	Kit, chariot de transport	Sæt, kørevogn			1
-	6410452	Mounting instructions	Montierungsanleitung	Instructions de montage	Montagevejledning			1

Trolley 1994
Transportwagen / Chariot de transport / Kørevogn



Pos.	No.	Description	Bezeichnung	Désignation	Betegnelse	Comment Bemerkung Remarque Bemærkning	Rec. Part		
-	-	Trolley	Transportwagen	Chariot de transport	Kørevogn	1994			1
1	6410389	Handle, compl.	Griff, kompl.	Poignée, compl.	Håndtag, kompl.				1
2	6410392	Hook	Hagen	Crochet	Krog				1
3	6410781	Kit, screw / nut	Satz, Schraube / Mutter	Kit, vis / écrou	Sæt, skrue / møtrik				1
5	6410525	Intermediate part	Zwischenteil	Partie intermed.	Mellemdel				1
6	6410395	Bottle support	Flaschenhalter	Porte-flasque	Flaskeholder				1
7	6410386	Bottom part	Unterteil	Partie inférieure	Underdel				1
9	6410398	Wheel	Rad	Roue	Hjul				2
10	6410528	Hub	Nabe	Moyeu	Nab				2
-	6410453	Mouting instructions	Montierungsanleitung	Instructions de montage	Montagevejledning				1