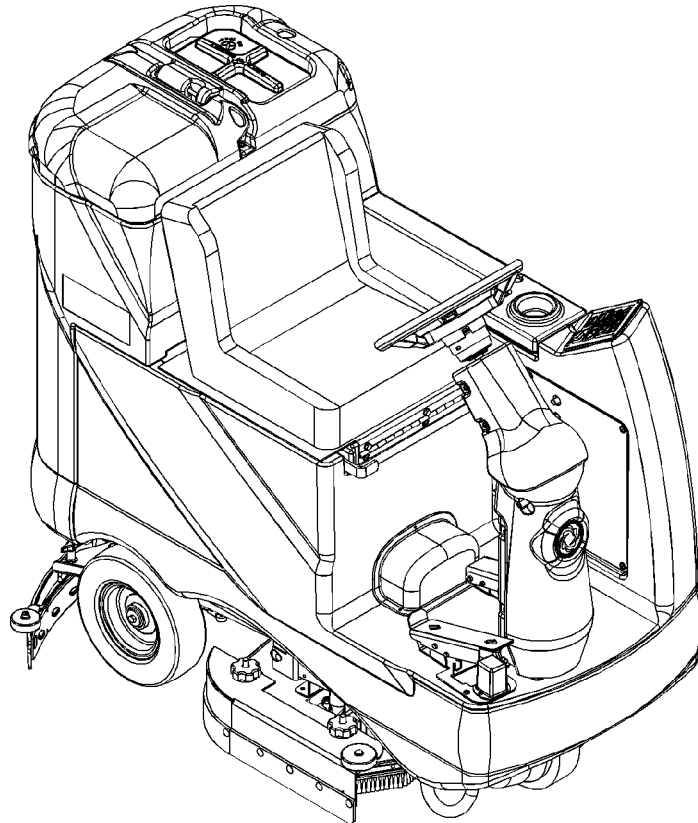


Advenger™, Advenger™ AXP

BR 600S series



PARTS LIST

Advance MODELS 56314000(2400D), 56314001(2600D), 56314002(2810D), 56314003(3210D), 56314004(2400C), 56314005(2600C), 56314006(2810C), 56314007(3210C), 56314994(2810C-AXP), 56314992(2810D-AXP), 56314995(3210C-AXP), 56314993(3210D-AXP)

Nilfisk MODELS 56314010(600S), 56314011(650S)(obs.), 56314012(700S), 56314013(800S), 56314014(600SC), 56314015(650SC)(obs.), 56314016(700SC), 56314017(800SC), 56316517(600S EDS), 56316518(600SC EDS), 56314998(700SC EDS), 56314996(700S EDS), 56314999(800SC EDS), 56314997(800S EDS)



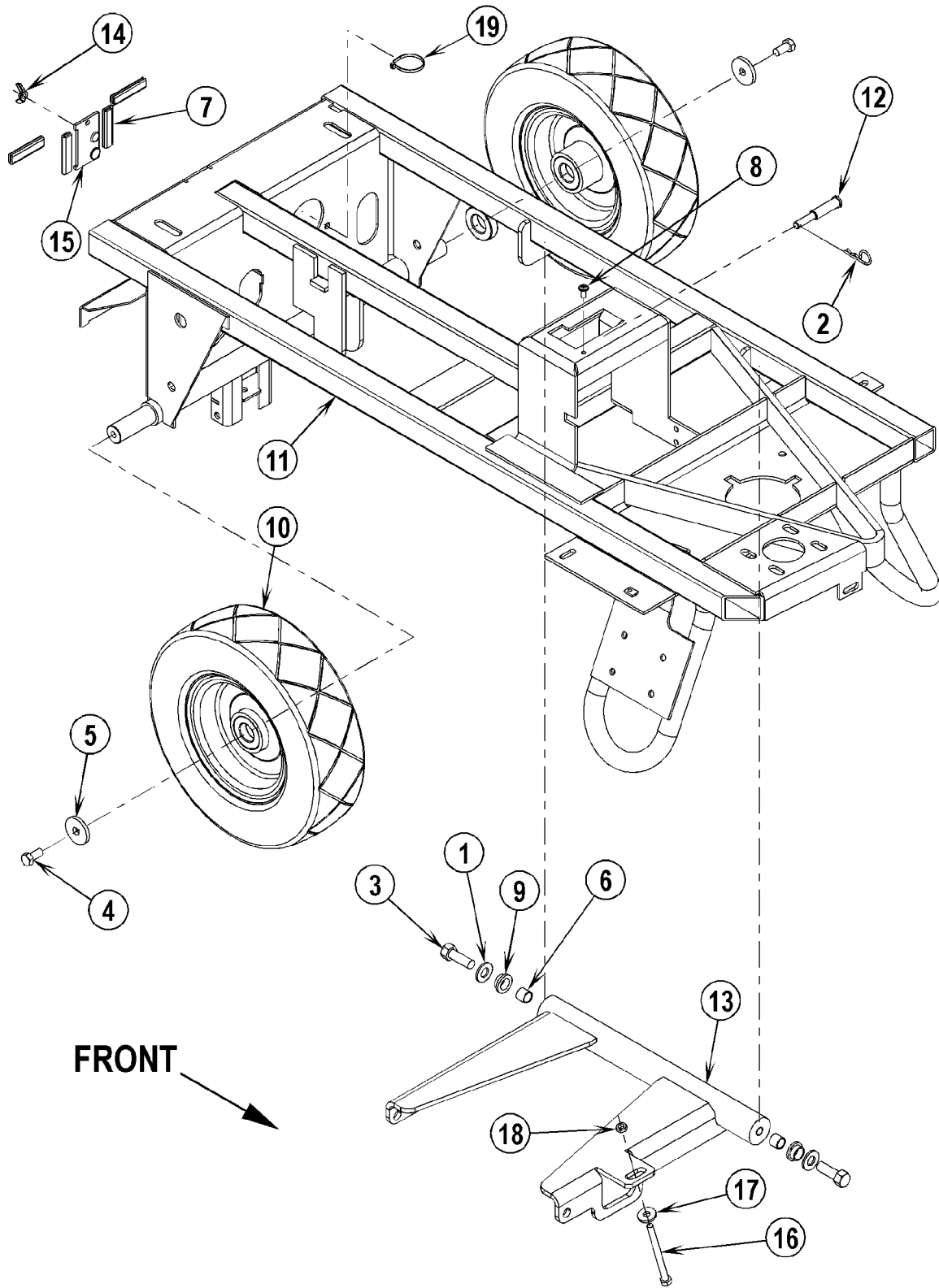
**Nilfisk
Advance**
setting standards

| DESCRIPTION | PLAN |
|---|-------------|
| Chassis System | E-13.3.1-3 |
| Decal System..... | E-13.3.1-5 |
| Detergent Injection System (AXP/EDS)..... | E-13.3.1-7 |
| Drive & Brake Pedal Assemblies | E-13.3.1-9 |
| Electrical Panel Assembly..... | E-13.3.1-11 |
| Front Wheel Assembly | E-13.3.1-13 |
| Recovery System..... | E-13.3.1-15 |
| Scrub System-Cylindrical..... | E-13.3.1-17 |
| Scrub System-Disk 24", 26", 28"..... | E-13.3.1-19 |
| Scrub System-Disk 32"..... | E-13.3.1-21 |
| Skirt Assemblies-Cylindrical..... | E-13.3.1-23 |
| Skirt Assemblies-Disk (Before TSBUS2004-884)..... | E-13.3.1-25 |
| Skirt Assemblies-Disk (After TSBUS2004-884)..... | E-13.3.1-27 |
| Solution System (Standard)..... | E-13.3.1-29 |
| Solution System (AXP/EDS)..... | E-13.3.1-31 |
| Squeegee Assembly | E-13.3.1-33 |
| Squeegee System..... | E-13.3.1-35 |
| Steering Column Assembly..... | E-13.3.1-37 |
| Battery Watering System | E-13.3.1-39 |
| Wiring Diagram before SN Chart..... | E-13.3.1-41 |
| Wiring Diagram after SN Chart..... | E-13.3.1-43 |
| Brush Selector Guide-Disk..... | E-13.3.1-44 |
| Brush Selector Guide-Cylindrical..... | E-13.3.1-45 |
| Optional Kits And Accessories | E-13.3.1-46 |

WHEN ORDERING PARTS

- * Use the 8 digit numbers from the "Ref. No." columns in this parts list.
- * Specify the model and serial number of the machine.
- * Use the space below to record the model and serial number for future reference.

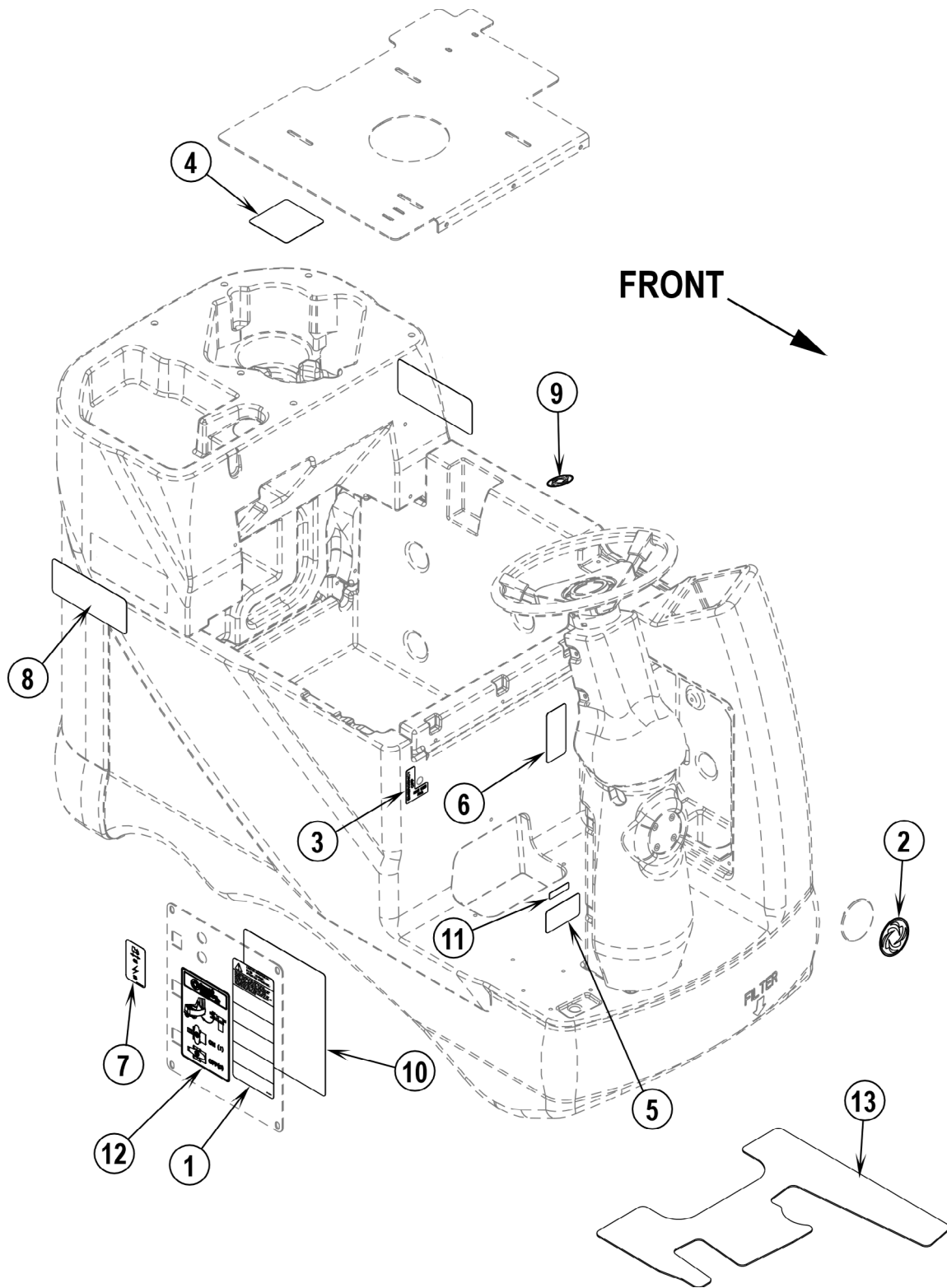
Model _____ Serial No. _____



| Item | Ref. No. | Qty | Description |
|------|----------|-----|---|
| 1 | 56001879 | 2 | Wsh, Flt SAE 1/2 |
| 2 | 56002959 | 1 | Pin, Cotter Hair |
| 3 | 56003412 | 2 | Scr, Hex Nyl Loc M12-1.25 x 35mm |
| 4 | 56003442 | 2 | Scr, Hex Nyl Loc M10-1.50 x 20mm |
| 5 | 56367117 | 2 | Wsh, Flt .406 x 1.50 x .1875 |
| 6 | 56367206 | 2 | Bushing |
| 7 | 56412122 | 4 | Trim Edge |
| 8 | 56009062 | 1 | Scr, Pan Phil Thd Form 1/4-20 x .50 |
| 9 | 56420160 | 2 | Bearing, Flange |
| 10 | 56316540 | 2 | Assembly, Wheel and Bearing (each assembly includes two bearings) |
| | 56412243 | 4 | Bearing, Ball |
| ** | 56412341 | 2 | Wheel Assy, Scrubber |
| 11 | 56314092 | 1 | Weldment, Chassis |
| 12 | 56314152 | 1 | Pin, Actuator |
| 13 | 56314495 | 1 | Linkage, Arm Weldment |
| 14 | 56002084 | 1 | Nut, Wing 1/4-20 |
| 15 | 56314537 | 1 | Squeegee Stop Bracket |
| 16 | 56002461 | 1 | Scr, Hex Thd To Hd 5/16-18 x 4.00 |
| 17 | 56009122 | 1 | Wsh, Flt .344 x .938 x .125 |
| 18 | 56009086 | 1 | Nut, Hex Jam 5/16-18 |
| 19 | 56478246 | 1 | Tie, Cable |
| * | 56478246 | 5 | Tie, Cable |
| * | 56477613 | 9 | Cable Tie |

* = Not Shown

** = Optional



| Item | Ref. No. | Qty | Description |
|------|----------|-----|--|
| 1 | 56014601 | 1 | Decal, Caution |
| 2 | 56015276 | 1 | Decal, Logo (Advance only) |
| | 56016348 | 1 | Decal, Logo (Nilfisk only) |
| 3 | 56015179 | 1 | Decal, Emergency |
| 4 | 56015168 | 1 | Decal, Battery Wiring |
| 5 | 56016401 | 1 | Decal, Parking Brake |
| 6 | 56016402 | 1 | Decal, Solution Flow (before TSBUS2004-874) |
| | 56015445 | 1 | Decal, Solution Flow (after TSBUS2004-874) (not used on AXP/EDS models) |
| 7 | 56016403 | 1 | Decal, Circuit Breaker |
| 8 | 56016405 | 2 | Decal, Advenger NOTE 1 |
| | 56016404 | 2 | Decal, Advenger NOTE 2 |
| | 56016637 | 2 | Decal, Advenger AXP |
| | 56016406 | 2 | Decal, Nilfisk BR600S NOTE 1 |
| | 56016671 | 2 | Decal, Nilfisk BR600S NOTE 2 |
| | 56016630 | 2 | Decal, Nilfisk BR600S EDS |
| | 56016452 | 2 | Decal, Nilfisk BR650S NOTE 1 |
| | 56016672 | 2 | Decal, Nilfisk BR650S NOTE 2 |
| | 56016453 | 2 | Decal, Nilfisk BR700S NOTE 1 |
| | 56016673 | 2 | Decal, Nilfisk BR700S NOTE 2 |
| | 56016631 | 2 | Decal, BR 700S EDS |
| | 56016454 | 2 | Decal, Nilfisk BR800S NOTE 1 |
| | 56016674 | 2 | Decal, Nilfisk BR800S NOTE 2 |
| | 56016632 | 2 | Decal, BR 800S EDS |
| 9 | 56015281 | 1 | Decal, Logo 2 Inch (Advance only) |
| | 56016421 | 1 | Decal, Logo 2 Inch (Nilfisk only) |
| 10 | 56016667 | 1 | Decal, Ladder Diagram NOTE 3 |
| | 56016746 | 1 | Decal, Ladder Diagram NOTE 4 |
| 11 | 56014450 | 1 | Decal, Patent Number |
| 12 | 56016407 | 1 | Decal, Smart Solutions (Advance model) NOTE 1 |
| | 56016455 | 1 | Decal, ECO Solutions (Nilfisk models) NOTE 1 |
| 13 | 56314876 | 1 | Floor Mat (Nilfisk only after Sept. 2004) |

NOTE 1: Used on machines built after serial number chart (ECO Solution & Smart Solution implemented).

NOTE 2: Used on machines built before serial number Chart A.

NOTE 3: Used on machines built before serial number Chart B.

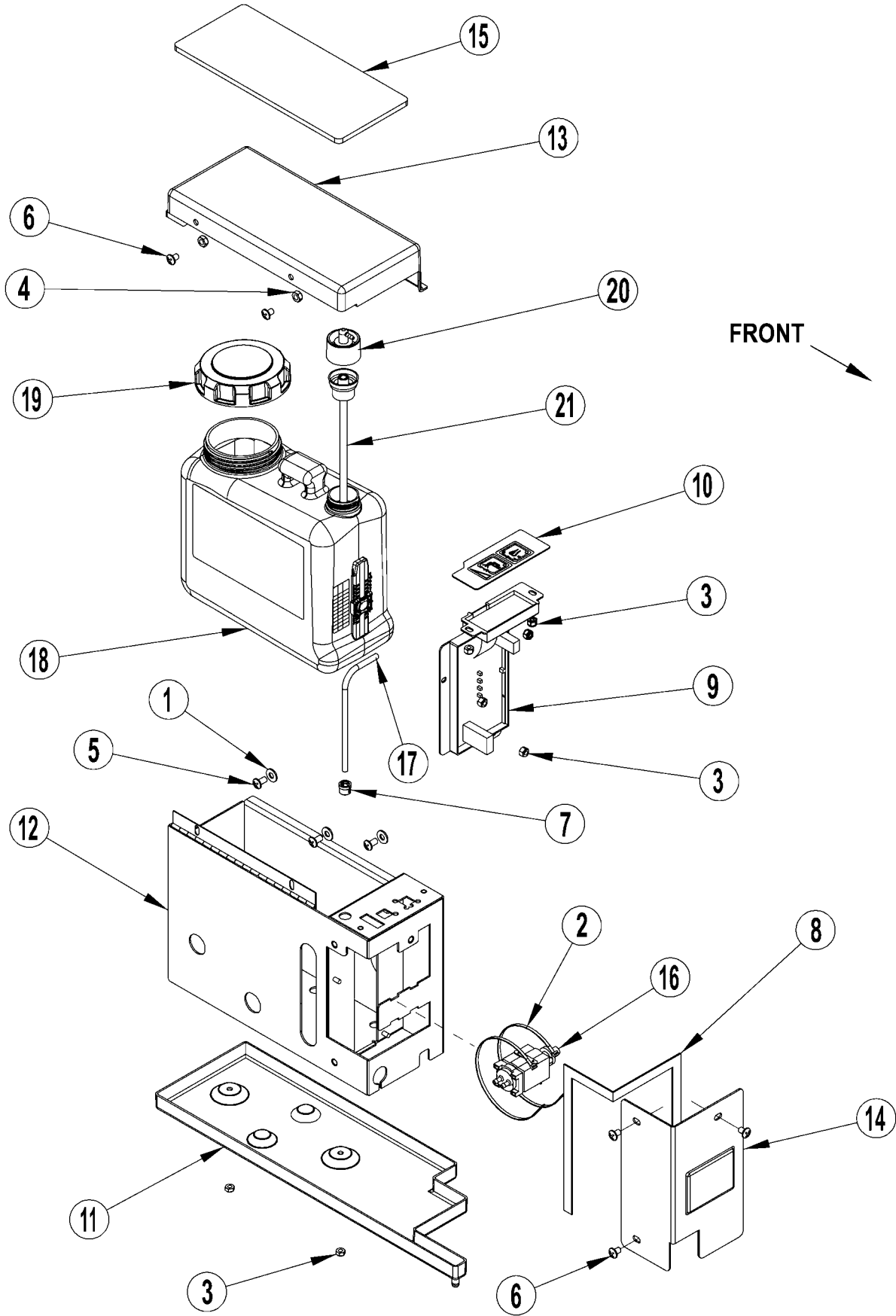
NOTE 4: Used on machines built after serial number Chart B.

NOTE 1 & 2 SERIAL NUMBER CHART "A"

1750239 - Advenger™ 2400D
 1757986 - Advenger™ 2810D
 1757999 - Advenger™ 3210D
 1759162 - Advenger™ 2400C
 1750252 - Advenger™ 2600C
 1758000 - Advenger™ 2810C
 1758002 - Advenger™ 3210C
 1752024 - BR 600S
 1752041 - BR 700S
 1752046 - BR 800S
 1752052 - BR 600SC
 1752054 - BR 700SC
 1753522 - BR 800SC

NOTE 3 & 4 SERIAL NUMBER CHART "B"

1837726 - Advenger™ 2400D
 1839732 - Advenger™ 2600D
 1837203 - Advenger™ 2810D
 1837599 - Advenger™ 3210D
 1839732 - Advenger™ 2400C
 1839732 - Advenger™ 2600C
 1837200 - Advenger™ 2810C
 1837197 - Advenger™ 3210C
 1837616 - BR 600S
 1837623 - BR 700S
 1839156 - BR 800S
 1837650 - BR 600SC
 1837652 - BR 700SC
 1839732 - BR 800SC



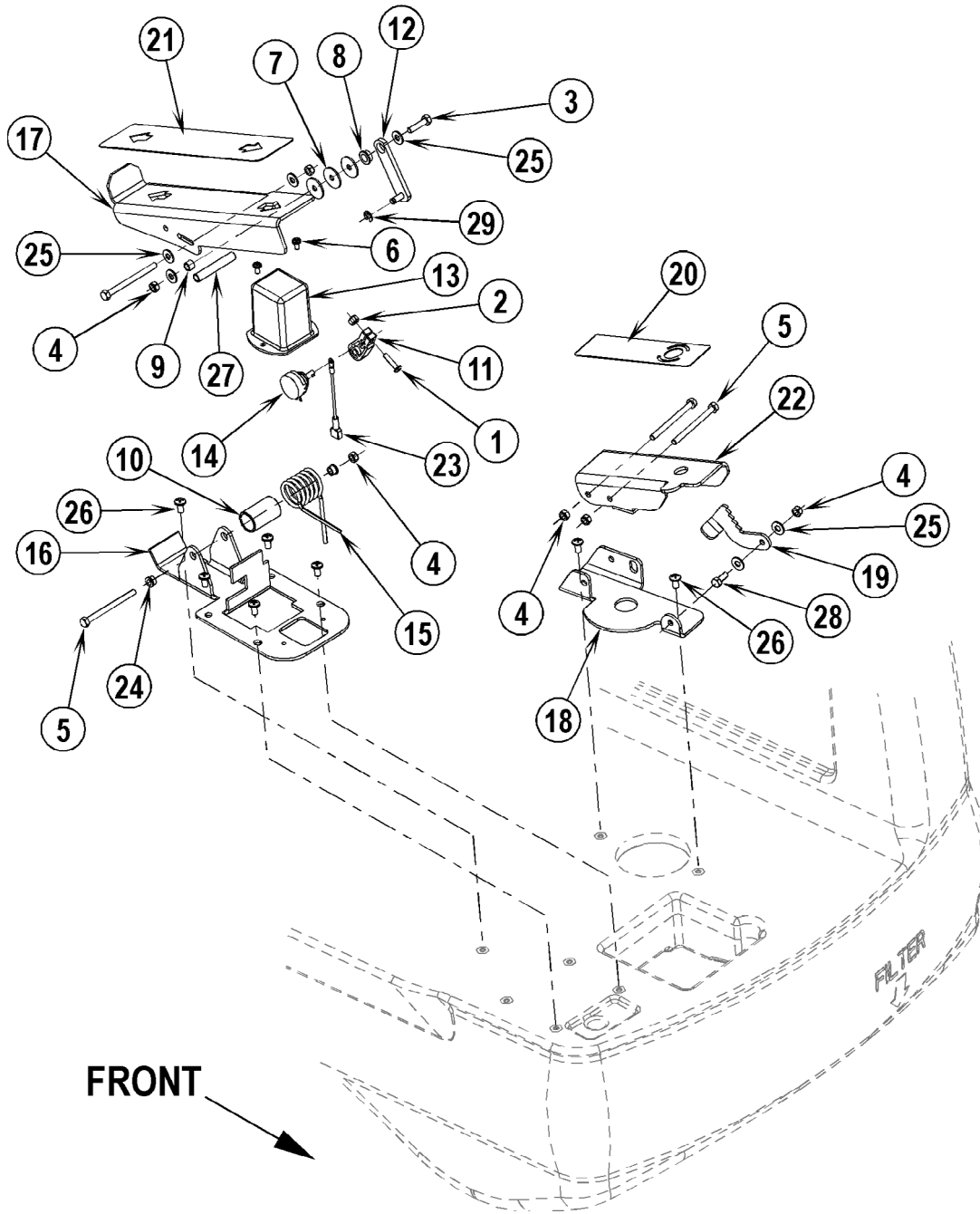
03-1

DETERGENT INJECTION SYSTEM (AXP/EDS)**BOOK E**

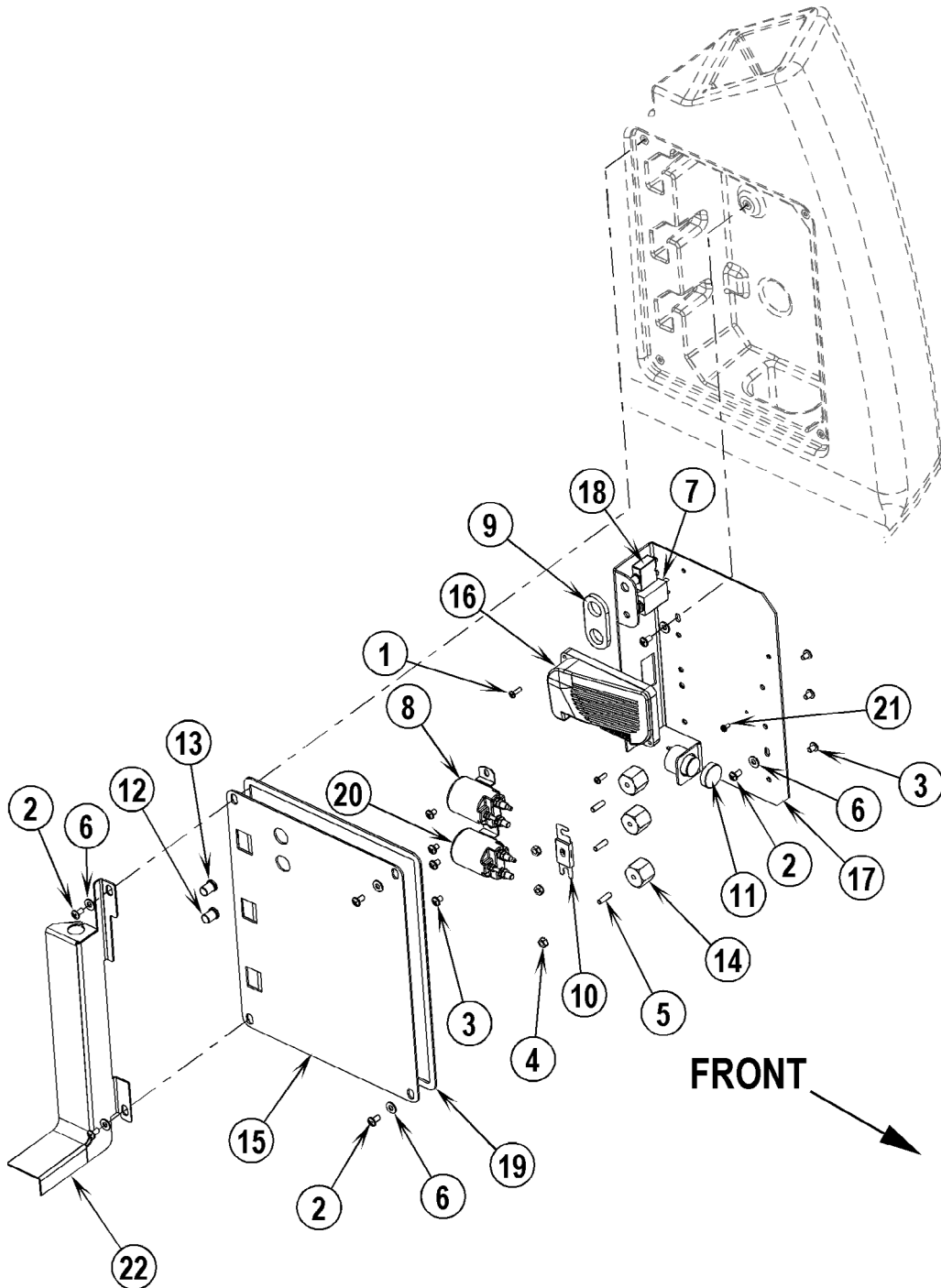
06-3

Advenger™ / BR 600S series**E****13.3.1****7**

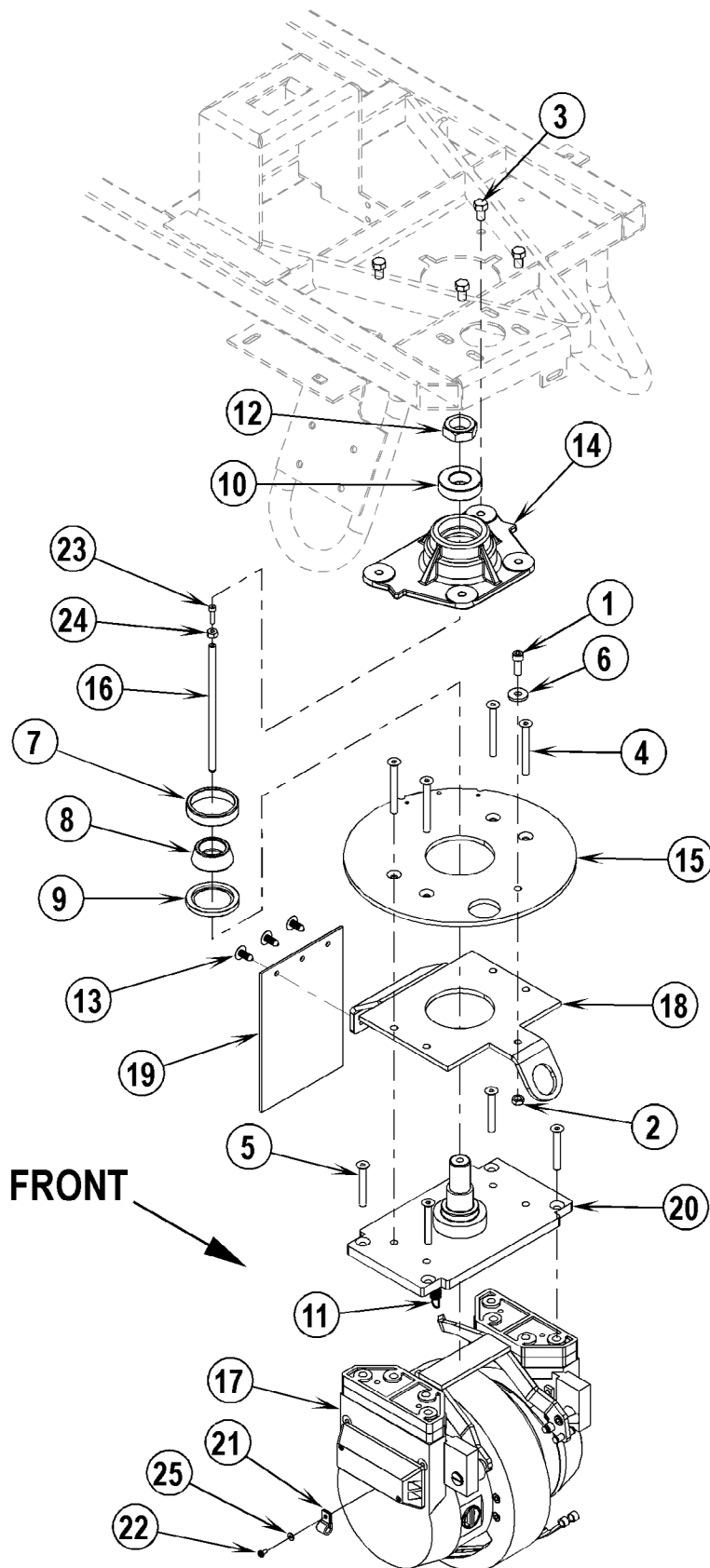
| Item | Ref. No. | Qty | Description |
|------|----------|-----|--|
| | 56316537 | 1 | Detergent Injection Assembly (items 1-21) TSBUS2006-922 |
| 1 | 56009025 | 3 | Wsh, Flt .266 x .750 x .036 |
| 2 | 56478523 | 2 | Tie, Cable |
| 3 | 56002832 | 8 | Nut, Hex Nyl Loc-Thin 10-24 |
| 4 | 56002840 | 2 | Nut, Hex Nyl Loc-Thin 1/4-20 |
| 5 | 56002145 | 3 | Scr, Pan Phil 1/4-20 x .50 |
| 6 | 56003580 | 5 | Scr, Pan Phil SS 1/4-20 x .38 |
| 7 | 56003699 | 1 | Bushing, 1/4 ID Snub |
| 8 | 56200754 | 1 | Gasket, Strip |
| 9 | 56316110 | 1 | Control Assembly TSBUS2006-922 |
| 10 | 56314937 | 1 | Control Decal |
| 11 | 56314939 | 1 | Tray, Detergent |
| 12 | 56314944 | 1 | Weldment, Detergent Box |
| 13 | 56314945 | 1 | Cover, Detergent |
| 14 | 56314946 | 1 | Cover, Pump |
| 15 | 56314953 | 1 | Pad, Detergent |
| 16 | 56314984 | 1 | Pump, Detergent |
| 17 | 56314991 | 1 | Hose, Chem Resistant 14" |
| 18 | 56315502 | 1 | Chemical Bottle Assy. |
| | 56315511 | 1 | Indicator Assy |
| 19 | 56315517 | 1 | Cap, Raw |
| 20 | 56315523 | 1 | Cap, Dry Break, 1/8 Barb, 90° |
| 21 | 56315527 | 1 | Insert, Dry Break |



| Item | Ref. No. | Qty | Description |
|------|----------|-----|--------------------------------------|
| 1 | 56002733 | 1 | Scr, Pan Phil 10-24 x .88 |
| 2 | 56002768 | 1 | Nut, Hex Nyl Loc 10-24 |
| 3 | 56003358 | 1 | Scr, Hex M6-1.00 x 25mm |
| 4 | 56003403 | 6 | Nut, Hex Nyl Loc M6-1.00 |
| 5 | 56003428 | 4 | Scr, Hex M6-1.00 x 75mm |
| 6 | 56009030 | 2 | Scr, Pan Phil Thd Form 10-24 x .38 |
| 7 | 56009060 | 3 | Wsh, Flt SS .260 x 1.000 x .074 |
| 8 | 56324505 | 1 | Bearing, Flange |
| 9 | 56368989 | 1 | Bushing |
| 10 | 56409378 | 1 | Spacer, Nylon |
| 11 | 56409471 | 1 | Lever, Throttle |
| 12 | 56409610 | 1 | Link Weldment |
| 13 | 56412094 | 1 | Housing, Potentiometer |
| 14 | 56454740 | 1 | Potentiometer, 5K (R1) |
| 15 | 56314037 | 1 | Spring, Torsion |
| 16 | 56314038 | 1 | Bracket, Foot Pedal |
| 17 | 56314039 | 1 | Foot Pedal |
| 18 | 56314121 | 1 | Bracket, Brake |
| 19 | 56314122 | 1 | Lock, Brake |
| 20 | 56314138 | 1 | Mat, Pedal |
| 21 | 56314176 | 1 | Mat, Pedal |
| 22 | 56314463 | 1 | Pedal Weldment |
| 23 | 56412331 | 1 | Wire Assy. |
| 24 | 56756318 | 2 | Bearing, Flange |
| 25 | 56002098 | 6 | Wsh, Flt SAE 1/4 |
| 26 | 56003119 | 7 | Scr, Pan Phil SS 1/4-20 x .50 |
| 27 | 56314561 | 1 | Bushing |
| 28 | 56003174 | 1 | Scr, Hex Thd to Hd M6-1.0 x 16mm |
| 29 | 56003268 | 1 | Ring, Ret Ext Type E Reinf. 0.25 Dia |



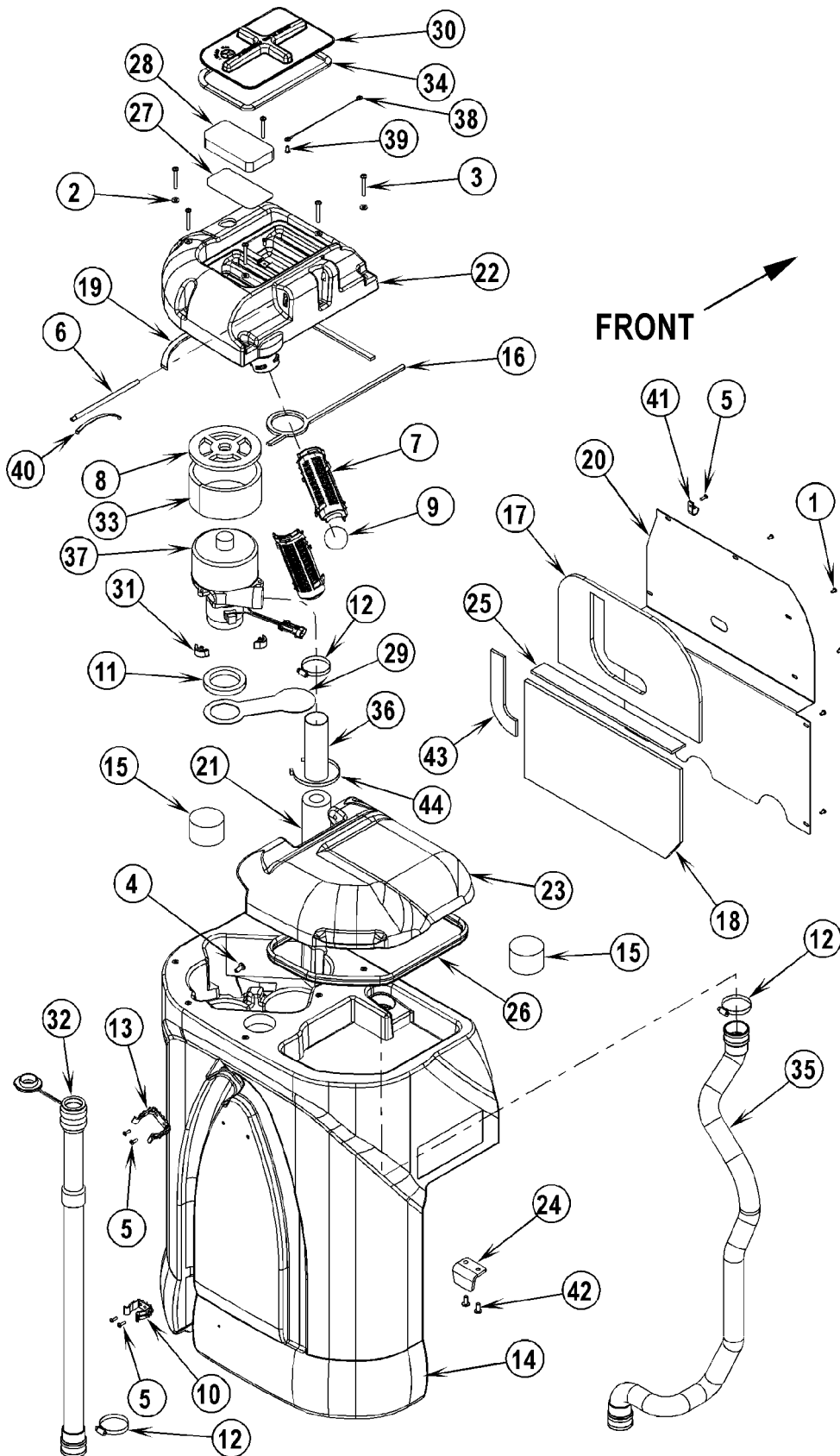
| Item | Ref. No. | Qty | Description |
|------|----------|-----|--|
| 1 | 56002192 | 2 | Scr, Pan Phil 10-24 x .75 |
| 2 | 56003119 | 6 | Scr, Pan Phil SS 1/4-20 x .50 |
| 3 | 56002462 | 7 | Scr, Pan Phil 1/4-20 x .38 |
| 4 | 56002561 | 3 | Nut, Hex W/SHPRF 1/4-20 |
| 5 | 56009020 | 3 | Stud |
| 6 | 56002098 | 6 | Wsh, Flt SAE 1/4 |
| 7 | 56387316 | 1 | Circuit Breaker, 10 Amp (Control Circuit / F3) |
| 8 | 56395450 | 1 | Contactora (Brush Drive / K1) |
| 9 | 56407193 | 1 | Gasket |
| 10 | 56412089 | 1 | Fuse, 150 Amp (F1) |
| 11 | 56412177 | 1 | Horn / Backup Alarm (H1) |
| 12 | 56459367 | 1 | Boot, Reset Button |
| 13 | 56459369 | 1 | Boot, Reset Button |
| 14 | 56469858 | 3 | Standoff, Insulated |
| 15 | 56314065 | 1 | Cover, Electrical |
| 16 | 56314067 | 1 | Controller (A1) |
| 17 | 56314068 | 1 | Electrical Panel |
| 18 | 56364294 | 1 | Circuit Breaker, 45 Amp (Wheel Drive / F2) |
| 19 | 56407169 | 1 | Gasket |
| 20 | 56395450 | 1 | Contactora (Vacuum System / K2) |
| 21 | 56009051 | 1 | Scr, Pan Phil Thd Form 8-32 x .38 |
| 22 | 56314956 | 1 | Weldment, Harness Guide (Detergent Injection models only) |



| Item | Ref. No. | Qty | Description |
|------|----------|-----|---|
| 1 | 56002158 | 1 | Scr, Soc Hd 5/16-18 x .88 |
| 2 | 56002826 | 1 | Nut, Hex Nyl Loc-Thin 5/16-18 |
| 3 | 56003040 | 4 | Scr, Hex Hd Loc 3/8-16 x .62 |
| 4 | 56003273 | 4 | Scr, Soc Hd M8-1.25 x 70mm |
| 5 | 56003274 | 4 | Scr, Soc Hd M8-1.25 x 55mm |
| 6 | 56009122 | 1 | Wsh, Flt .344 x .938 x .125 |
| 7 | 56158143 | 1 | Bearing Cup |
| 8 | 56158151 | 1 | Bearing Cone |
| 9 | 56171081 | 1 | Seal, Shaft |
| 10 | 56378380 | 1 | Bearing, Ball |
| 11 | 56481699 | 1 | Spring |
| 12 | 56003220 | 1 | Nut, Hex Nyl Loc-Thin 1-14 UNF |
| 13 | 56003263 | 3 | Rivet, Nylon Tree Push-In |
| 14 | 56314032 | 1 | Block, Bearing |
| 15 | 56314116 | 1 | Plate, Steering |
| 16 | 56314157 | 1 | Rod, Brake |
| 17 | 56314268 | 1 | Motor / Drive Wheel Assy (M3) TSBUS2004-869 |
| * | 56314920 | 1 | Drive Wheel Harness Kit TSBUS2004-869 |
| * | 56314282 | 1 | Brake Lever Weldment |
| * | 56314289 | 1 | Brake Band |
| * | 56412320 | 1 | Carbon Brush Cover Kit (contains 4 seal rings & 4 brush covers) |
| * | 56412321 | 1 | Sealing Ring |
| * | 56412322 | 1 | Bearing, Ball, Gearbox Side |
| * | 56412323 | 1 | Bearing, Ball, Brush Side |
| * | 56412325 | 1 | Carbon Brush Kit |
| * | 56314291 | 1 | Brake Bar |
| * | 56314370 | 4 | Spacer Block |
| * | 56314269 | 1 | Drive Wheel – P7 Scrubber Compound |
| ** | 56412339 | 1 | Drive Wheel – Polyurethane |
| 18 | 56314278 | 1 | Plate, Splash Guard |
| 19 | 56314283 | 1 | Splash Guard |
| 20 | 56314085 | 1 | Spindle Weldment TSBUS2005-913 |
| 21 | 56305317 | 1 | Clamp, P |
| 22 | 56003653 | 1 | Scr, Pan Phil M4 x 8 |
| 23 | 56003659 | 1 | Scr, Button Soc SS 10-24 x .75 |
| 24 | 56009293 | 1 | Nut, Hex Machine SS 10-24 |
| 25 | 56002006 | 1 | Wsh, Flt SAE #6 |

* = Not Shown

** = Optional



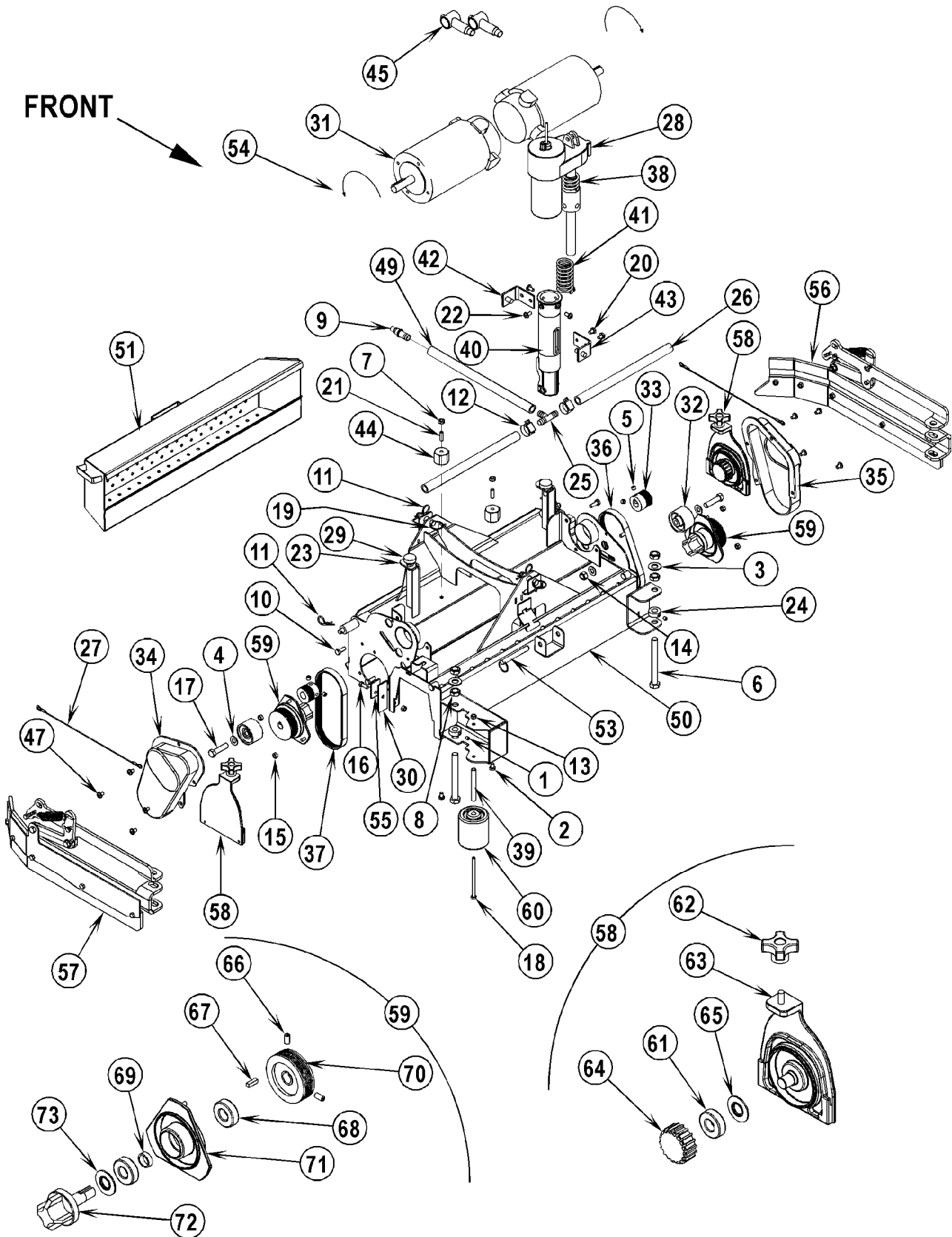
| Item | Ref. No. | Qty | Description | NOTE 1 & 2 SERIAL NUMBER CHART |
|------|----------|-----|---|--------------------------------|
| 1 | 56002043 | 8 | Scr, Pan Phil 10-24 x .38 | 1750239 - Advenger™ 2400D |
| 2 | 56002098 | 7 | Wsh, Flt SAE 1/4 | 1757986 - Advenger™ 2810D |
| 3 | 56002108 | 6 | Scr, Pan Phil 1/4-20 x 2.00 | 1757999 - Advenger™ 3210D |
| 4 | 56002793 | 1 | Scr, Pan Phil 5/16-18 x .75 | 1759162 - Advenger™ 2400C |
| 5 | 56002896 | 5 | Scr, Pan Phil SS 10-24 x .62 | 1750252 - Advenger™ 2600C |
| 6 | 56314115 | 1 | Pin, Cover Pivot | 1758000 - Advenger™ 2810C |
| 7 | 56324497 | 2 | Cage, Float | 1758002 - Advenger™ 3210C |
| 8 | 56314704 | 1 | Gasket | 1752024 - BR 600S |
| 9 | 56391690 | 1 | Ball, Float | 1752041 - BR 700S |
| 10 | 56407361 | 1 | Clamp, Plastic | 1752046 - BR 800S |
| 11 | 56314760 | 1 | Gasket, Vacuum Duct | 1752052 - BR 600SC |
| 12 | 56440213 | 3 | Clamp, Hose SAE #32 | 1752054 - BR 700SC |
| 13 | 56212236 | 1 | Clamp, Plastic | 1753522 - BR 800SC |
| 14 | 56314036 | 1 | Tank, Recovery | |
| 15 | 56314098 | 2 | Foam Cylinder | |
| 16 | 56314099 | 1 | Gasket | |
| 17 | 56314100 | 1 | Muffler, Top Panel | |
| 18 | 56314101 | 1 | Muffler, Bottom Panel | |
| 19 | 56314103 | 1 | Gasket | |
| 20 | 56314749 | 1 | Cover, Exhaust NOTE 1 | |
| 21 | 56391807 | 1 | Foam Acoustical NOTE 2 | |
| 22 | 56314201 | 1 | Cover, Vac Motor | |
| 23 | 56314203 | 1 | Lid, Recovery | |
| 24 | 56314220 | 2 | Tank Mount Bracket | |
| 25 | 56314706 | 1 | Foam, Sound NOTE 2 | |
| 26 | 56314371 | 1 | Gasket | |
| 27 | 56314372 | 1 | Screen, Filter | |
| 28 | 56314373 | 1 | Filter | |
| 29 | 56314376 | 1 | Plate, Separator | |
| 30 | 56314461 | 1 | Lid, Vac Filter | |
| 31 | 56314484 | 3 | Mount, Vibration | |
| 32 | 56314487 | 1 | Drainhose | |
| 33 | 56314488 | 1 | Muffler, Vac | |
| 34 | 56314491 | 1 | Gasket | |
| 35 | 56314533 | 1 | Vac Hose Assy | |
| 36 | 56458457 | 1 | Hose, Vac 2.00 x 6.0 x 975018 NOTE 2 | |
| 37 | 56397228 | 1 | Motor, Vac 36VDC (M5 / Advance) | |
| * | 56212223 | 1 | Carbon Brush Set | |
| | 56410065 | 1 | Vac Motor Assy (M5 / Nilfisk) | |
| * | 56212223 | 1 | Carbon Brush Set | |
| 38 | 56314400 | 1 | Wire Rope, 9 Inch | |
| 39 | 56009191 | 2 | Scr, Pan Phil Plastite 10-14 x .50 | |
| 40 | 56314509 | 1 | Spring | |
| 41 | 56385564 | 1 | Clamp, P | |
| 42 | 56002507 | 4 | Scr, Pan Phil 1/4-20 x .75 | |
| 43 | 56314705 | 1 | Foam, Sound NOTE 2 | |
| 44 | 56477613 | 1 | Tie, Cable NOTE 2 | |
| * | 56314251 | 1 | Harness Vac | |

* = Not Shown

NOTE 1: 56314749 replaces previous parts 56314199 and 56314200 after serial number chart.

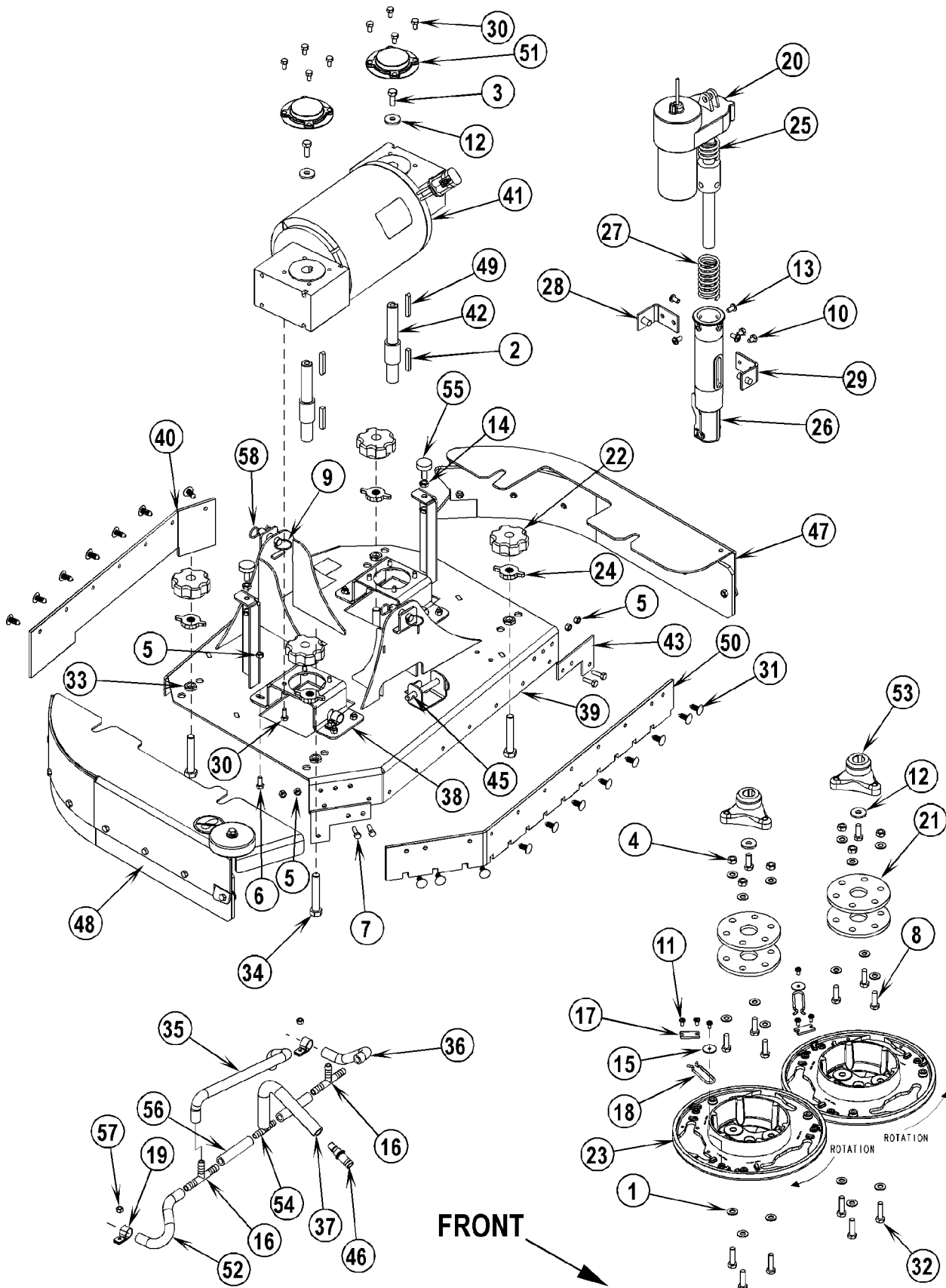
NOTE 2: Used on machines built after serial number chart.

FRONT



| Item | Ref. No. | Qty | Description | Item | Ref. No. | Qty | Description |
|------|----------|-----|---|------|----------|-----|---|
| 1 | 56001841 | 2 | Scr, Soc Set Loc 1/4-20 x .25 | 39 | 56412176 | 1 | Bushing |
| 2 | 56001861 | 2 | Scr, Hex Hd 1/4-20 x .38 | 40 | 56412262 | 1 | Housing, Spring |
| 3 | 56001879 | 2 | Wsh, Flt SAE 1/2 | 41 | 56420018 | 1 | Compression Spring |
| 4 | 56002063 | 4 | Wsh, Flt SAE 3/8 | 42 | 56420019 | 1 | Nut Retainer |
| 5 | 56002086 | 4 | Scr, Soc Set Loc 5/16-18 x .25 | 43 | 56420020 | 1 | Nut Retainer |
| 6 | 56002484 | 2 | Scr, Hex Hd 1/2-13 x 4.50 | 44 | 56469858 | 2 | Standoff, Insulated |
| 7 | 56002561 | 2 | Nut, Hex W/SHPRF 1/4-20 | 45 | 56493357 | 2 | Insulator, Terminal |
| 8 | 56002843 | 4 | Nut, Hex Nyl Loc-Thin 1/2-13 | 47 | 56003603 | 8 | Scr, Pan Phil Thd Form 1/4-20 x .38mm |
| 9 | 56314310 | 1 | Coupling, Quick Disconnect, Male (only before TSBUS2005-888) | 48 | | | Serial Plate |
| 10 | 56002948 | 6 | Scr, Hex Hd Loc 1/4-20 x .75 | 49 | 56409462 | 1 | Tube, Solution, Main |
| 11 | 56002959 | 4 | Pin, Cotter Hair | 50 | 56316568 | 1 | Housing Weld't, 24" TSBUS2003-854 / TSBUS2005-899 |
| 12 | 56112771 | 2 | Clamp, Hose | | 56316569 | 1 | Housing Weld't, 26" TSBUS2003-854 / TSBUS2005-899 |
| 13 | 56003403 | 1 | Nut, Hex Nyl Loc M6-1.00 | | 56316570 | 1 | Housing Weld't, 28" TSBUS2003-854 / TSBUS2005-899 |
| 14 | 56003406 | 2 | Nut, Hex Nyl Loc M10-1.50 | 51 | 56316571 | 1 | Housing Weld't, 32" TSBUS2003-854 / TSBUS2005-899 |
| 15 | 56003426 | 8 | Nut, Hex Nyl Loc SS M6-1.00 | | 56314226 | 1 | Hopper Weld't, 24" |
| 16 | 56003431 | 2 | Scr, Hex Hd SS M6-1.00 x 16mm | | 56314232 | 1 | Hopper Weld't, 26" |
| 17 | 56003491 | 2 | Scr, Hex M10-1.50 x 40mm | | 56397442 | 1 | Hopper Weld't, 28" |
| 18 | 56003492 | 1 | Scr, Hex M6-1.00 x 95mm | | 56397443 | 1 | Hopper Weld't, 32" |
| 19 | 56003671 | 2 | Pin, Ring .50 x 1.25 | 52 | 56314254 | 1 | Harness, Brush Motor (Not Shown) |
| 20 | 56009019 | 2 | Scr, Hex Thd Form 1/4-20 x .38 | 53 | 56314294 | 1 | Pin, Hitch Cotterless |
| 21 | 56009020 | 2 | Stud | 55 | 56314436 | 2 | Strap |
| 22 | 56009062 | 4 | Scr, Pan Phil Thd Form 1/4-20 x .50 | 56 | 56314443 | 1 | Left Skirt Assy |
| 23 | 56009086 | 4 | Nut, Hex Jam 5/16-18 | 57 | 56314444 | 1 | Right Skirt Assy |
| 24 | 56152811 | 2 | Collar | 58 | 56314445 | 2 | Idler End Assy (#61-65) |
| 25 | 56262549 | 1 | Tee, Barb | 59 | 56407559 | 2 | Drive End Assy (#66-73) |
| 26 | 56316555 | 2 | Manifold, PVC 24 | 60 | 56412459 | 1 | Wheel |
| | 56316554 | 2 | Manifold, PVC 26 | 61 | 56106070 | 1 | Bearing, Ball |
| | 56316553 | 2 | Manifold, PVC 28 | 62 | 56407303 | 1 | Knob |
| | 56316552 | 2 | Manifold, PVC 32 | 63 | 56315447 | 1 | Idler Bearing Plate |
| 27 | 56330391 | 2 | Wire Rope, 12" | 64 | 56407551 | 1 | Hub |
| 28 | 56393303 | 1 | Lift Actuator, Brush (M1) | 65 | 56407558 | 1 | Washer, Bearing |
| * | 56470433 | 1 | Carbon Brush Kit | 66 | 56002119 | 2 | Scr, Soc Set Loc 1/4-20 x .50 |
| * | 56393790 | 2 | Limit Switch | 67 | 56003237 | 1 | Key, Sq. .19 x .62 |
| * | 56388520 | 1 | Plastic Nut | 68 | 56106070 | 2 | Bearing, Ball |
| 29 | 56401783 | 2 | Leveler | 69 | 56407389 | 1 | Spacer |
| 30 | 56407391 | 2 | Blade | 70 | 56407442 | 1 | Sheave, Poly-V |
| 31 | 56407431 | 2 | Motor, 36VDC, .75HP (M7 / M8) TSBUS2004-868 | 71 | 56315405 | 1 | Bearing Plate |
| * | 56417489 | 1 | Armature | 72 | 56407557 | 1 | Spindle |
| * | 56407490 | 1 | Bearing | 73 | 56407558 | 1 | Washer, Bearing |
| * | 56407492 | 1 | Brush Cap Assy | | | | * = Not Shown |
| * | 56407493 | 4 | Carbon Brush Assy | | | | |
| * | 56407494 | 4 | Brush Cover Cap | | | | |
| 32 | 56407432 | 2 | Idler, Belt | | | | |
| 33 | 56407433 | 2 | Sheave, Poly-V | | | | |
| 34 | 56407434 | 1 | Guard, Right Belt | | | | |
| 35 | 56407435 | 1 | Guard, Left Belt | | | | |
| 36 | 56407465 | 1 | Belt, Poly-V 180J6 | | | | |
| 37 | 56407466 | 1 | Belt, Poly-V 190J6 | | | | |
| 38 | 56412071 | 1 | Compression Spring | | | | |

NOTE: See "BRUSH SELECTOR GUIDE" at back of manual for available scrub brushes.



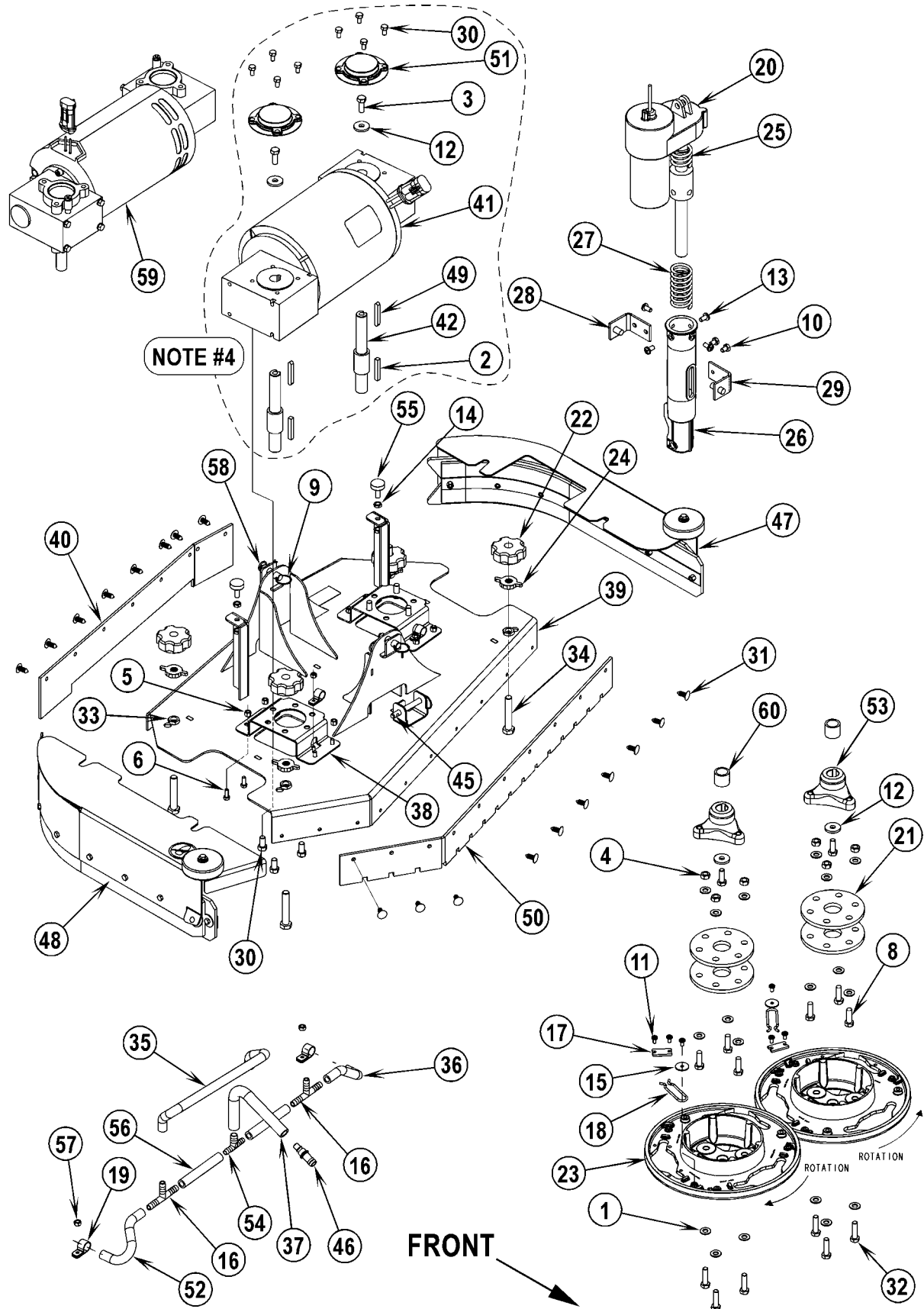
| Item | Ref. No. | Qty | Description | Item | Ref. No. | Qty | Description |
|------|----------|-----|--|------|----------|-----|---|
| 1 | 56002938 | 18 | Wsh, Flt SAE SS 5/16 | 42 | 56314218 | 2 | Shaft, Hub Mount |
| 2 | 56003246 | 2 | Key, Sq .25 x 1.62 | 43 | 56314261 | 2 | Skirt Bracket, Forward (26" & 28" only) |
| 3 | 56003335 | 4 | Scr, Hex Loc SS 5/16-18 x .88 | 44 | | | Intentionally Omitted |
| 4 | 56003405 | 6 | Nut, Hex Nyl Loc SS M8-1.25 | 45 | 56314294 | 1 | Pin, Hitch Cotterless |
| 5 | 56003426 | 12 | Nut, Hex Nyl Loc SS M6-1.00 (qty 8 on 24") | 46 | 56314310 | 1 | Coupling, Quick Disconnect, Male |
| 6 | 56003431 | 8 | Scr, Hex Hd SS M6-1.00 x 16mm | | | | (only before TSBUS2005-888) |
| 7 | 56003443 | 4 | Scr, Hex Hd SS M6-1.00 x 20mm (26" & 28" only) | 47 | 56314349 | 1 | Skirt Assy, Left (24", 26", 28" / before TSBUS2004-884) |
| 8 | 56003477 | 6 | Scr, Hex Loc SS M8-1.25 x 25mm | | 56314885 | 1 | Skirt Assy, Left (24", 26", 28" / after TSBUS2004-884) |
| 9 | 56003671 | 2 | Pin, Ring .50 x 1.25 | 48 | 56314350 | 1 | Skirt Assy, Right (All Models / before TSBUS2004-884) |
| 10 | 56009019 | 2 | Scr, Hex Thd Form 1/4-20 x .38 | | 56314884 | 1 | Skirt Assy, Right (All Models / after TSBUS2004-884) |
| 11 | 56009030 | 6 | Scr, Pan Phil Thd Form 10-24 x .38 | 49 | 56314359 | 2 | Key, 6mm Sq. NOTE 4 |
| 12 | 56009057 | 4 | Wsh, Flt Harden .344 x 1.000 x .120/.135 | 50 | - | | See Disk Deck Blade Kits below |
| 13 | 56009062 | 4 | Scr, Pan Phil Thd Form 1/4-20 x .50 | 51 | 56314499 | 2 | Cover, Gearbox NOTE 4 |
| 14 | 56009086 | 4 | Nut, Hex Jam 5/16-18 | 52 | 56392277 | 1 | Tube, Solution |
| 15 | 56009096 | 2 | Wsh, Flt .193 x .875 x .060 | 53 | 56314031 | 2 | Hub, Drive |
| 16 | 56249280 | 2 | Tee, Barb | 54 | 56397300 | 1 | Tee, Barb |
| 17 | 56366455 | 2 | Plate, Stop | 55 | 56401783 | 2 | Leg Leveler, 5/16-18 |
| 18 | 56366463 | 2 | Spring Retainer | 56 | 56412187 | 2 | Hose, Spiral .375 |
| 19 | 56385564 | 2 | Clamp, P | 57 | 56002768 | 2 | Nut, Hex Nyl Loc 10-24 |
| 20 | 56393303 | 1 | Lift Actuator, Brush (M1) | 58 | 56002959 | 2 | Pin, Cotter Hair |
| * | 56470433 | 1 | Carbon Brush Kit | | | | |
| * | 56393790 | 2 | Limit Switch | | | | |
| * | 56388520 | 1 | Plastic Nut | ** | 56314124 | 1 | 24" Disk Deck Blade Kits (before TSBUS2004-884) |
| 21 | 56407053 | 4 | Thermoid Disk | ** | 56314170 | 1 | Kit, Gum Rubber 24 Disk NOTE 2 |
| 22 | 56407114 | 4 | Knob | ** | 56314395 | 1 | Kit, Neoprene 24 Disk NOTE 2 |
| 23 | 56314030 | 2 | Brush Holder | | | | Kit, Linatex 24 Disk NOTE 2 |
| 24 | 56407334 | 4 | Knob | ** | 56314125 | 1 | 26" Disk Deck Blade Kits (before TSBUS2004-884) |
| 25 | 56412071 | 1 | Compression Spring | ** | 56314171 | 1 | Kit, Gum Rubber 26 Disk NOTE 2 |
| 26 | 56412262 | 1 | Housing, Spring | ** | 56314396 | 1 | Kit, Neoprene 26 Disk NOTE 2 |
| 27 | 56420018 | 1 | Compression Spring | | | | Kit, Linatex 26 Disk NOTE 2 |
| 28 | 56420019 | 1 | Nut Retainer | ** | 56314126 | 1 | 28" Disk Deck Blade Kits (before TSBUS2004-884) |
| 29 | 56420020 | 1 | Nut Retainer | ** | 56314172 | 1 | Kit, Gum Rubber 28 Disk NOTE 2 |
| 30 | 56003211 | 16 | Scr, Hex Hd SS M6-1.00 x 12mm | ** | 56314397 | 1 | Kit, Neoprene 28 Disk NOTE 2 |
| 31 | 56003263 | 18 | Rivet, Nylon Tree Push-In | ** | 56314397 | 1 | Kit, Linatex 28 Disk NOTE 2 |
| 32 | 56003639 | 6 | Scr, Hex Hd SS M8-1.25 x 30mm | | | | 24" Disk Deck Blade Kits (after TSBUS2004-884) |
| 33 | 56003657 | 4 | Nut, Hex Jam M12-1.75 | ** | 56314911 | 1 | Kit, Gum Rubber 24 Disk NOTE 2 |
| 34 | 56003658 | 4 | Scr, Hex Thd To Hd SS M12-1.75 x 70mm | ** | 56314915 | 1 | Kit, Linatex 24 Disk NOTE 2 |
| 35 | 56412189 | 1 | Hose, Spiral .375 | | | | 26" Disk Deck Blade Kits (after TSBUS2004-884) |
| 36 | 56249682 | 1 | Tube, Solution | ** | 56314912 | 1 | Kit, Gum Rubber 26 Disk NOTE 2 |
| 37 | 56262180 | 1 | Tube, Spiral .375 | ** | 56314916 | 1 | Kit, Linatex 26 Disk NOTE 2 |
| 38 | 56314053 | 2 | Bracket, Motor | | | | 28" Disk Deck Blade Kits (after TSBUS2004-884) |
| 39 | 56314081 | 1 | Weld't, Disk Deck (24", 26", 28") | ** | 56314913 | 1 | Kit, Gum Rubber 28 Disk NOTE 2 |
| 40 | - | | See Disk Deck Blade Kits below | ** | 56314917 | 1 | Kit, Linatex 28 Disk NOTE 2 |
| 41 | 56314139 | 1 | Motor Gearbox Assy (24" / M7) | | | | |
| | 56314140 | 1 | Motor Gearbox Assy (26" / M7) | | | | |
| | 56314141 | 1 | Motor Gearbox Assy (28" / M7) | | | | |
| * | 56314359 | 2 | Key, 6mm Square | | | | |
| * | 56314499 | 2 | Cover, Gearbox | | | | |
| * | 56314560 | 2 | Gearbox | | | | |
| * | 56314580 | 1 | Bearing (Fan End) | | | | |
| *# | 56412323 | 1 | Bearing (Brush End) | | | | |
| * | 56314582 | 1 | Brush Ring | | | | |
| * | 56314583 | 4 | Carbon Brush | | | | |
| * | 56314584 | 1 | Safety Hook | | | | |

* = Not Shown

** = Optional

NOTE: See "BRUSH SELECTOR GUIDE" at back of manual for available scrub brushes.

NOTE 2: Disk Deck Blade Kits include the mounting fasteners (Rivet, Nylon Tree Push-In 56003263 item 31), the two blades (items 40 & 50) and two blades for use in Skirt Assemblies (items 47 & 48).



| Item | Ref. No. | Qty | Description | Item | Ref. No. | Qty | Description |
|------|----------|-----|---|----------|----------|--|---|
| 1 | 56002938 | 18 | Wsh, Flt SAE SS 5/16 | 42 | 56314218 | 2 | Shaft, Hub Mount NOTE 4 |
| 2 | 56003246 | 2 | Key, Sq .25 x 1.62 NOTE 4 | 43 | | | Intentionally Omitted |
| 3 | 56003335 | 4 | Scr, Hex Loc SS 5/16-18 x .88 (qty of 2 after NOTE 3) | 44 | | | Intentionally Omitted |
| 4 | 56003405 | 6 | Nut, Hex Nyl Loc SS M8-1.25 | 45 | 56314294 | 1 | Pin, Hitch Cotterless |
| 5 | 56003426 | 8 | Nut, Hex Nyl Loc SS M6-1.00 | 46 | 56314310 | 1 | Coupling, Quick Disconnect, Male (only before TSBUS2005-888) |
| 6 | 56003431 | 8 | Scr, Hex Hd SS M6-1.00 x 16mm | 47 | 56314347 | 1 | Skirt Assy, Left (32" / before TSBUS2004-884) |
| 7 | | | Intentionally omitted | 56314894 | 1 | Skirt Assy, Left (32" / after TSBUS2004-884) | |
| 8 | 56003477 | 6 | Scr, Hex Loc SS M8-1.25 x 25mm | 48 | 56314350 | 1 | Skirt Assy, Right (All Models / before TSBUS2004-884) |
| 9 | 56003671 | 2 | Pin, Ring .50 x 1.25 | 56314884 | 1 | Skirt Assy, Right (All Models / after TSBUS2004-884) | |
| 10 | 56009019 | 2 | Scr, Hex Thd Form 1/4-20 x .38 | 49 | 56314359 | 2 | Key, 6mm Sq. NOTE 4 |
| 11 | 56009030 | 6 | Scr, Pan Phil Thd Form 10-24 x .38 | 50 | - | | See Disk Deck Blade Kits below |
| 12 | 56009057 | 4 | Wsh, Flt Harden .344 x 1.000 x .120/.135 (qty of 2 after NOTE 3) | 51 | 56314499 | 2 | Cover, Gearbox NOTE 4 |
| 13 | 56009062 | 4 | Scr, Pan Phil Thd Form 1/4-20 x .50 | 52 | 56392277 | 1 | Tube, Solution |
| 14 | 56009086 | 4 | Nut, Hex Jam 5/16-18 | 53 | 56314031 | 2 | Hub, Drive NOTE 4 |
| 15 | 56009096 | 2 | Wsh, Flt .193 x .875 x .060 | 56314108 | 2 | Hub, Drive NOTE 3 | |
| 16 | 56249280 | 2 | Tee, Barb | 54 | 56397300 | 1 | Tee, Barb |
| 17 | 56366455 | 2 | Plate, Stop | 55 | 56401783 | 2 | Leg Leveler, 5/16-18 |
| 18 | 56366463 | 2 | Spring Retainer | 56 | 56412187 | 2 | Hose, Spiral .375 |
| 19 | 56385564 | 2 | Clamp, P | 57 | 56002768 | 2 | Nut, Hex Nyl Loc 10-24 |
| 20 | 56393303 | 1 | Lift Actuator, Brush (M1) | 58 | 56002959 | 2 | Pin, Cotter Hair |
| * | 56470433 | 1 | Carbon Brush Kit | 59 | 56315704 | 1 | Gearbox Assy (32" / M7) NOTE 3 |
| * | 56393790 | 2 | Limit Switch | * | 56315711 | 2 | Gearbox |
| * | 56388520 | 1 | Plastic Nut | 60 | 56315705 | 2 | Spacer NOTE 3 |
| 21 | 56407053 | 4 | Thermoid Disk | | | | 32" Disk Deck Blade Kits (before TSBUS2004-884) |
| 22 | 56407114 | 4 | Knob | ** | 56314127 | 1 | Kit, Gum Rubber 32 Disk NOTE 2 |
| 23 | 56314030 | 2 | Brush Holder | ** | 56314173 | 1 | Kit, Neoprene 32 Disk NOTE 2 |
| 24 | 56407334 | 4 | Knob | ** | 56314398 | 1 | Kit, Linatex 32 Disk NOTE 2 |
| 25 | 56412071 | 1 | Compression Spring | | | | 32" Disk Deck Blade Kits (after TSBUS2004-884) |
| 26 | 56412262 | 1 | Housing, Spring | ** | 56314914 | 1 | Kit, Gum Rubber 32 Disk NOTE 2 |
| 27 | 56420018 | 1 | Compression Spring | ** | 56314918 | 1 | Kit, Linatex 32 Disk NOTE 2 |
| 28 | 56420019 | 1 | Nut Retainer | | | | |
| 29 | 56420020 | 1 | Nut Retainer | | | | |
| 30 | 56003211 | 16 | Scr, Hex Hd SS M6-1.00 x 12mm NOTE 4 | | | | * = Not Shown |
| | 56002885 | 6 | Scr, Hex SS 3/8-16 x .75 NOTE 3 | | | | ** = Optional |
| 31 | 56003263 | 18 | Rivet, Nylon Tree Push-In | | | | |
| 32 | 56003639 | 6 | Scr, Hex Hd SS M8-1.25 x 30mm | | | | |
| 33 | 56003657 | 4 | Nut, Hex Jam M12-1.75 | | | | |
| 34 | 56003658 | 4 | Scr, Hex Thd To Hd SS M12-1.75 x 70mm | | | | |
| 35 | 56412189 | 1 | Hose, Spiral .375 | | | | |
| 36 | 56249682 | 1 | Tube, Solution | | | | |
| 37 | 56262180 | 1 | Tube, Spiral .375 | | | | |
| 38 | 56314053 | 2 | Bracket, Motor NOTE 4 | | | | |
| | 56315701 | 2 | Bracket, Motor NOTE 3 | | | | |
| 39 | 56314090 | 1 | Weld't, Disk Deck (32") | | | | |
| 40 | - | | See Disk Deck Blade Kits below | | | | |
| 41 | 56314335 | 1 | Motor Gearbox Assy (32" / M7) NOTE 4 | | | | |
| * | 56314359 | 2 | Key, 6mm Square | | | | |
| * | 56314499 | 2 | Cover, Gearbox | | | | |
| * | 56314560 | 2 | Gearbox | | | | |
| * | 56314580 | 1 | Bearing (Fan End) | | | | |
| *# | 56412323 | 1 | Bearing (Brush End) | | | | |
| * | 56314582 | 1 | Brush Ring | | | | |
| * | 56314583 | 4 | Carbon Brush | | | | |
| * | 56314584 | 1 | Safety Hook | | | | |

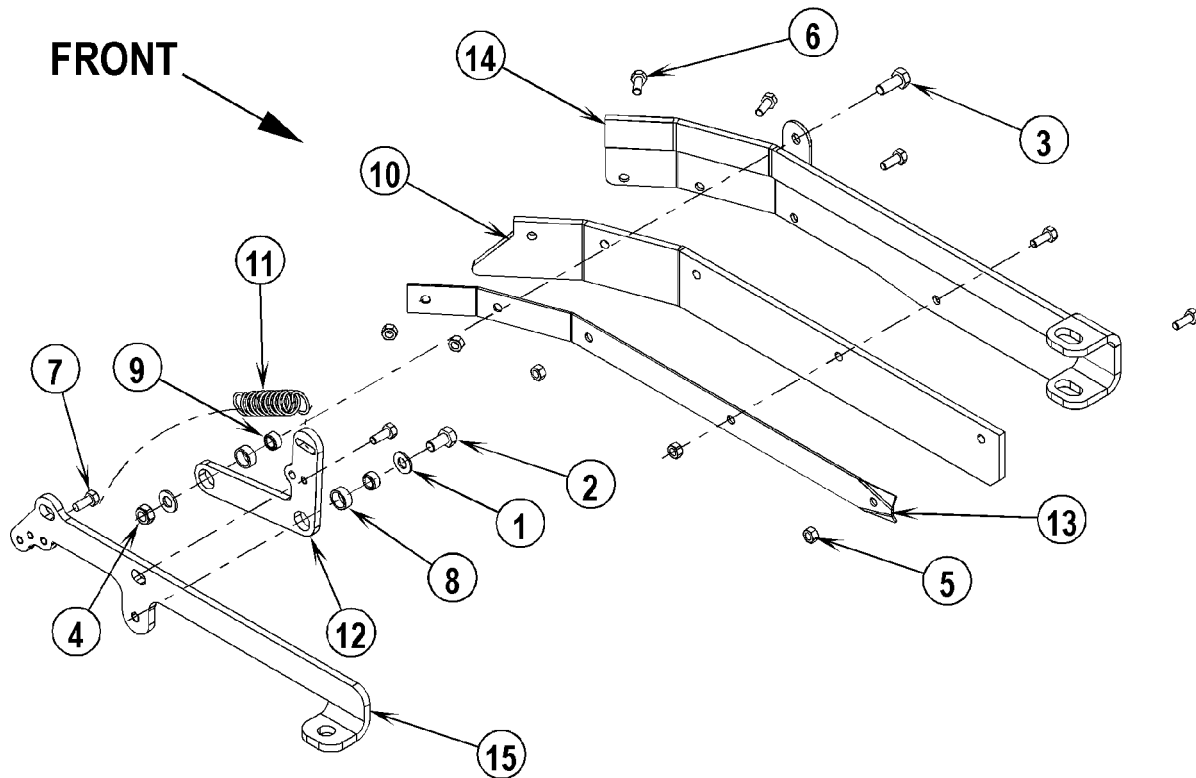
NOTE: See "BRUSH SELECTOR GUIDE" at back of manual for available scrub brushes.

NOTE 2: Disk Deck Blade Kits include the mounting fasteners (Rivet, Nylon Tree Push-In 56003263 item 31), the two blades (items 40 & 50) and two blades for use in Skirt Assemblies (items 47 & 48).

NOTE 3: Only used after serial number 1931775.

NOTE 4: Only used before serial number 1931776.

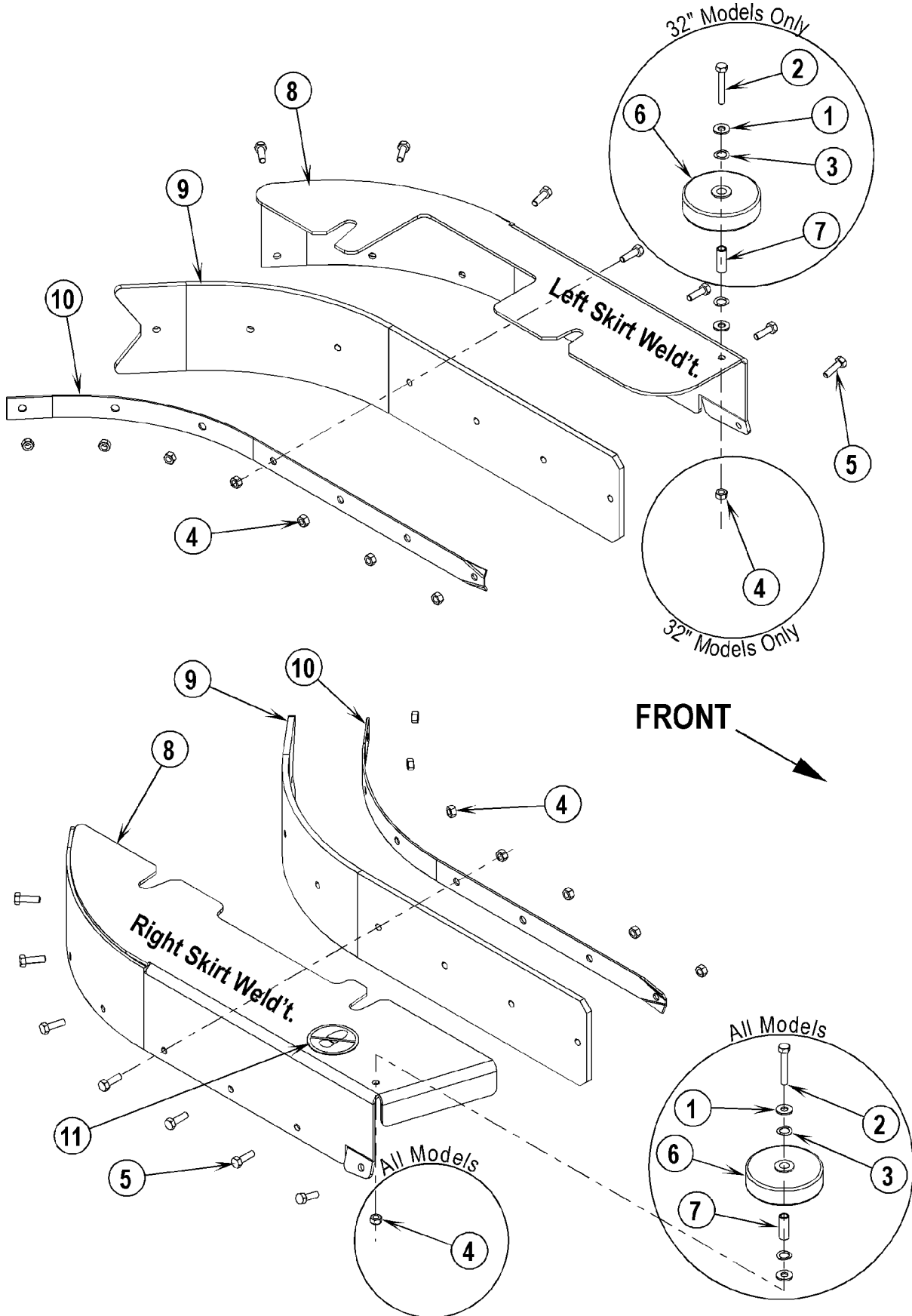
LEFT SKIRT ASSEMBLY SHOWN



| Item | Ref. No. | Qty | Description |
|------|----------|-----|-----------------------------------|
| | 56314443 | 1 | Left Skirt Assembly |
| | 56314444 | 1 | Right Skirt Assembly |
| 1 | 56001939 | 2 | Wsh, Flt SAE 5/16 |
| 2 | 56003178 | 1 | Scr, Hex M8-1.25 x 16mm |
| 3 | 56003179 | 1 | Scr, Hex Thd To Hd M8-1.25 x 20mm |
| 4 | 56003389 | 1 | Nut, Hex Nyl Loc M8-1.25 |
| 5 | 56003426 | 5 | Nut, Hex Nyl Loc SS M6-1.00 |
| 6 | 56003431 | 6 | Scr, Hex Hd SS M6-1.00 x 16mm |
| 7 | 56003441 | 1 | Scr, Hex Nyl Loc M6-1.00 x 15mm |
| 8 | 56185263 | 2 | Bearing, Sleeve |
| 9 | 56320595 | 2 | Bushing, .32 x .50 x .28 |
| 10 | 56407447 | 1 | Skirt, Gum Rubber |
| ** | 56407392 | 1 | Skirt, Neoprene |
| ** | 56410335 | 1 | Skirt |
| 11 | 56470672 | 1 | Spring, Extension |
| 12 | 56314435 | 1 | Arm, Mount |
| 13 | 56314437 | 1 | Retainer, Skirt |
| 14 | 56314439 | 1 | Skirt Bracket Weld't, Left |
| | 56314438 | 1 | Skirt Bracket Weld't, Right |
| 15 | 56314440 | 1 | Bracket, Mount, Left |
| | 56314441 | 1 | Bracket, Mount, Right |

** = Optional

NOTE: All quantities are for one skirt assembly only, there are two skirt assemblies on the machine.



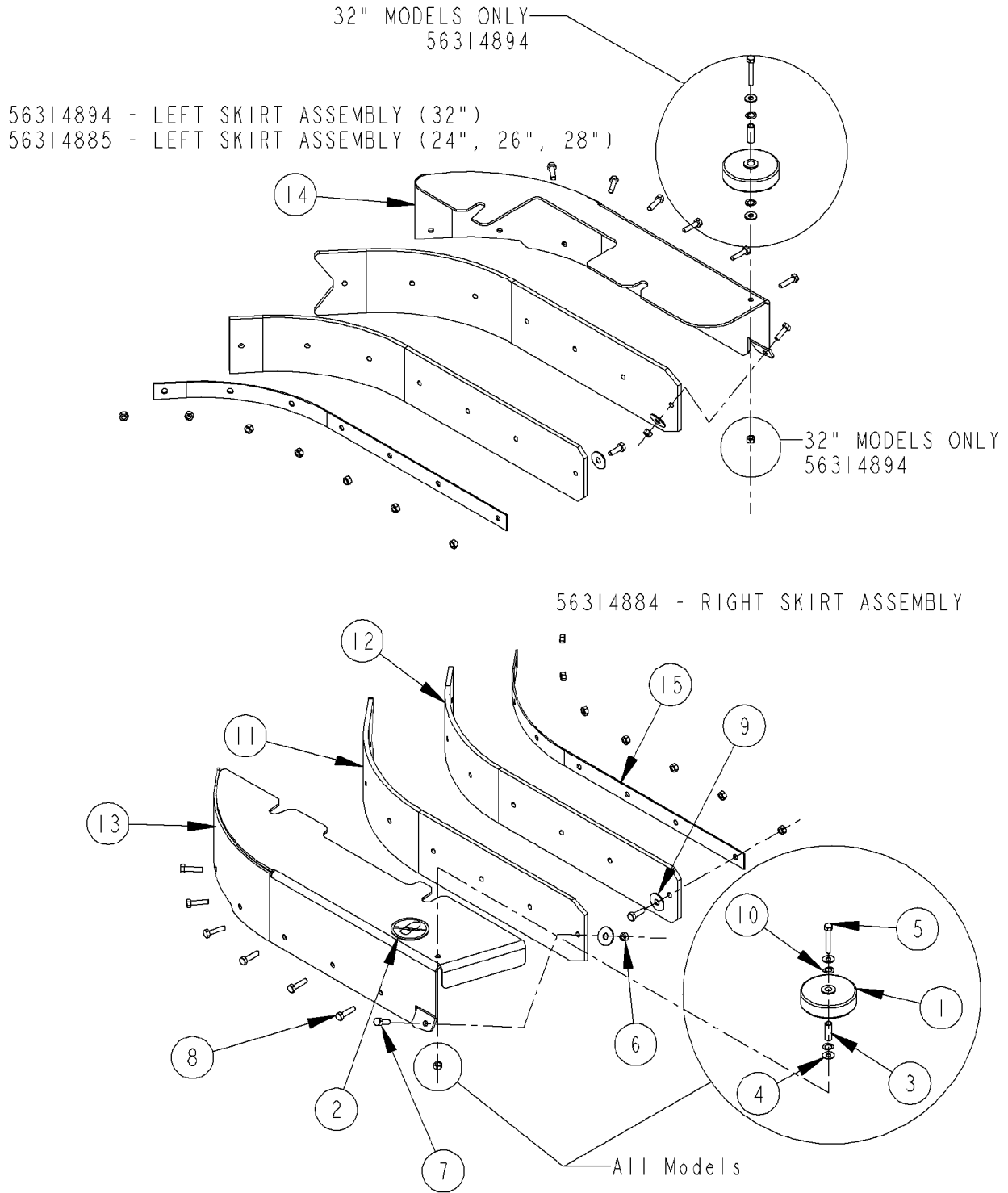
| Item | Ref. No. | Qty | Description |
|------|----------|-----|--|
| | 56314347 | 1 | Left Skirt Assembly (32") |
| | 56314349 | 1 | Left Skirt Assembly (24", 26", 28") |
| | 56314350 | 1 | Right Skirt Assembly (All Models) |
| 1 | 56002098 | 2 | Wsh, Flt SAE 1/4 NOTE 1 |
| 2 | 56003167 | 1 | Scr, Hex M6-1.00 x 40mm NOTE 1 |
| 3 | 56009045 | 2 | Wsh, Bowed .375 x .578 x .060 NOTE 1 |
| 4 | 56003426 | 8 | Nut, Hex Nyl Loc SS M6-1.00 |
| 5 | 56003454 | 7 | Scr, Hex Thd to Hd SS M6-1.00 x 20mm |
| 6 | 56324499 | 1 | Wheel, 3.00 NOTE 1 |
| 7 | 56471220 | 1 | Bushing NOTE 1 |
| 8 | 56314058 | 1 | Frame, Skirt LH |
| | 56314059 | 1 | Frame, Skirt RH |
| 9 | - | | See Disk Deck Blade Kits below |
| 10 | 56314341 | 1 | Retainer, Blade |
| 11 | 56016163 | 1 | Decal, No Step (Right Skirt Assembly only) |
| | | | 24" Disk Deck Blade Kits |
| ** | 56314124 | 1 | Kit, Gum Rubber 24 Disk NOTE 3 |
| ** | 56314170 | 1 | Kit, Neoprene 24 Disk NOTE 3 |
| ** | 56314395 | 1 | Kit, Linatex 24 Disk NOTE 3 |
| | | | 26" Disk Deck Blade Kits |
| ** | 56314125 | 1 | Kit, Gum Rubber 26 Disk NOTE 3 |
| ** | 56314171 | 1 | Kit, Neoprene 26 Disk NOTE 3 |
| ** | 56314396 | 1 | Kit, Linatex 26 Disk NOTE 3 |
| | | | 28" Disk Deck Blade Kits |
| ** | 56314126 | 1 | Kit, Gum Rubber 28 Disk NOTE 3 |
| ** | 56314172 | 1 | Kit, Neoprene 28 Disk NOTE 3 |
| ** | 56314397 | 1 | Kit, Linatex 28 Disk NOTE 3 |
| | | | 32" Disk Deck Blade Kits |
| ** | 56314127 | 1 | Kit, Gum Rubber 32 Disk NOTE 3 |
| ** | 56314173 | 1 | Kit, Neoprene 32 Disk NOTE 3 |
| ** | 56314398 | 1 | Kit, Linatex 32 Disk NOTE 3 |

** = Optional

NOTE 1: These items are on the Right Skirt Assembly PN 56314350 on all models, but only on the 32" Left Skirt Assembly PN56314347.

NOTE 2: All quantities are for one skirt assembly only, there are two skirt assemblies on the machine.

NOTE 3: Disk Deck Blade Kits include the mounting fasteners (Rivet, Nylon Tree Push-In 56003263), two skirt blades (item 9) and the two deck blades (front & rear).



| Item | Ref. No. | Qty | Description |
|------|----------|-----|---|
| | 56314894 | 1 | Left Skirt Assembly (32") |
| | 56314885 | 1 | Left Skirt Assembly (24", 26", 28") |
| | 56314884 | 1 | Right Skirt Assembly (All Models) |
| 1 | 56324499 | 1 | Wheel 3.00 NOTE 1 |
| 2 | 56016163 | 1 | Decal, No Step (Right Skirt Assembly Only) |
| 3 | 56471220 | 1 | Bushing NOTE 1 |
| 4 | 56002098 | 2 | Wsh, Flt Sae 1/4 NOTE 1 |
| 5 | 56003167 | 1 | Scr,Hex M6-1.0x40mm NOTE 1 |
| 6 | 56003426 | 9 | Nut, Hex Nyl Loc Ss M6x1.0 (qty of 8 on 56314885) |
| 7 | 56003454 | 2 | Scr Hex Thd To Hd Ss M6-1.0 X 20mm |
| 8 | 56003695 | 6 | Scr Hex Thd To Hd Ss M6-1.0 X 25mm |
| 9 | 56003696 | 2 | Wsh, Flt Ss .33 X 1.00 X.060 |
| 10 | 56009045 | 2 | Wsh, Bowed .375x.578x.060 NOTE 1 |
| 11 | - | | See Disk Deck Blade Kits below |
| 12 | - | | See Disk Deck Blade Kits below |
| 13 | 56314888 | 1 | Frame, Skirt Rh |
| 14 | 56314889 | 1 | Frame, Skirt Lh |
| 15 | 56314891 | 1 | Retainer, Blade |
| | | | 24" Disk Deck Blade Kits |
| ** | 56314911 | 1 | Kit, Gum Rubber 24 Disk NOTE 3 |
| ** | 56314915 | 1 | Kit, Linatex 24 Disk NOTE 3 |
| | | | 26" Disk Deck Blade Kits |
| ** | 56314912 | 1 | Kit, Gum Rubber 26 Disk NOTE 3 |
| ** | 56314916 | 1 | Kit, Linatex 26 Disk NOTE 3 |
| | | | 28" Disk Deck Blade Kits |
| ** | 56314913 | 1 | Kit, Gum Rubber 28 Disk NOTE 3 |
| ** | 56314917 | 1 | Kit, Linatex 28 Disk NOTE 3 |
| | | | 32" Disk Deck Blade Kits |
| ** | 56314914 | 1 | Kit, Gum Rubber 32 Disk NOTE 3 |
| ** | 56314918 | 1 | Kit, Linatex 32 Disk NOTE 3 |

** = Optional

NOTE 1: These items are on the Right Skirt Assembly **PN 56314884** on all models, but only on the 32" Left Skirt Assembly **PN56314894**.

NOTE 2: All quantities are for one skirt assembly only, there are two skirt assemblies on the machine.

NOTE 3: Disk Deck Blade Kits include the mounting fasteners (Rivet, Nylon Tree Push-In 56003263), four skirt blades (items 11 & 12) and the two deck blades (front & rear).

| Item | Ref. No. | Qty | Description | Item | Ref. No. | Qty | Description |
|------|----------|-----|--------------------------------------|------|----------|-----|---|
| 1 | 56001939 | 4 | Wsh, Flt SAE 5/16 | 45 | 56314069 | 1 | Gasket |
| 2 | 56001954 | 3 | Wsh, Flt SAE #10 | 46 | 56314072 | 1 | Control Panel Assy (before TSBUS2006-922) |
| 3 | 56009206 | 4 | Scr, Truss Phil-Blk 10-24 x .50 | | 56316109 | 1 | Control Panel Assy (after TSBUS2006-943) |
| 4 | 56002035 | 4 | Scr, Hex Hd 5/16-18 x .62 | * | 56314713 | 1 | Membrane Switch Assy TSBUS2006-932 |
| 5 | 56002043 | 3 | Scr, Pan Phil 10-24 x .38 | * | 56396188 | 1 | Switch, Key |
| 6 | 56002066 | 3 | Scr, Pan Phil 1/4-20 x .62 | * | 56396189 | 1 | Key, Spare |
| 7 | 56002098 | 11 | Wsh, Flt SAE 1/4 | 47 | 56314153 | 1 | Tee NOTE 3 |
| 8 | 56002108 | 1 | Scr, Pan Phil 1/4-20 x 2.00 | | 56314758 | 1 | Tee, Barb NOTE 4 |
| 9 | 56002507 | 2 | Scr, Pan Phil 1/4-20 x .75 | 48 | 56314759 | 1 | Bracket, Valve (Before TSBUS2004-874) |
| 10 | 56002589 | 1 | Scr, Hex Hd 6-32 x .50 | | 56314882 | 1 | Bracket, Valve (After TSBUS2004-874) |
| 11 | 56002674 | 5 | Scr, Pan Phil 10-24 x 1.00 | 49 | 56314155 | 5 | Clamp, Cable |
| 12 | 56002171 | 4 | Scr, Pan Phil 10-24 x 2.00 | 50 | 56314608 | 4 | Clamp, Cable |
| 13 | 56002793 | 2 | Scr, Pan Phil 5/16-18 x .75 | 51 | 56314213 | 1 | Cover, Actuator NOTE 7 |
| 14 | 56002826 | 1 | Nut, Hex Nyl Loc-Thin 5/16-18 | | 56314975 | 1 | Cover, Actuator Closed NOTE 8 |
| 15 | 56002830 | 1 | Nut, Hex Nyl Loc 6-32 | 52 | 56314292 | 1 | Bar, Disconnect |
| 16 | 56002840 | 3 | Nut, Hex Nyl Loc-Thin 1/4-20 | 53 | 56316526 | 1 | Tank Mount Bracket |
| 17 | 56002900 | 5 | Scr, Pan Phil SS 10-24 x .50 | 54 | 56314221 | 1 | Weld't, Seat Mount NOTE 2, NOTE 7 |
| 18 | 56002997 | 3 | Scr, Pan Phil 1/4-20 x 1.75 | | 56314951 | 1 | Weld't, Seat Mount NOTE 8 |
| 19 | 56003179 | 4 | Scr, Hex Thd to Hd M8-1.25 x 20mm | 55 | 56314223 | 1 | Prop Rod |
| 20 | 56003178 | 3 | Scr, Hex M8-1.25 x 16mm | 56 | 56314250 | 1 | Harness, Main (Not Shown) NOTE 5 TSBUS2004-869 |
| 21 | 56003268 | 3 | Ring, Ret Ext Type E Reinf. .25 Dia. | | 56314971 | 1 | Harness, Main NOTE 6 (before TSBUS2006-922) |
| 22 | 56003389 | 3 | Nut, Hex Nyl Loc M8-1.25 | | 56316114 | 1 | Harness, Main (after TSBUS2006-922) |
| 23 | 56009002 | 2 | Wsh, Flt .266 x .906 x .060 | 57 | 56314253 | 1 | Charge Connector Assy |
| 24 | 56009122 | 4 | Wsh, Flt .344 x .938 x .125 | 58 | 56314264 | 1 | Hinge Bracket |
| 25 | 56009205 | 4 | Wsh, Flt SS #10 | 59a | 56314311 | 1 | Coupling, Quick Disconnect Female (before TSBUS2005-888) |
| 26 | 56219932 | 4 | Clamp, Hose SAE #6 | 59b | 56314904 | 1 | Tube (after TSBUS2005-888) |
| 27 | 56255076 | 1 | Cap, Pipe GHT Nylon | 60 | 56314401 | 1 | Bracket, Water Valve (Before TSBUS2004-874) |
| 28 | 56344265 | 1 | Clamp, Cable | | 56314881 | 1 | Bracket, Water Valve (After TSBUS2004-874) |
| 29 | 56368776 | 1 | Washer, Rubber | 61 | 56314532 | 1 | Panel, Battery Box |
| 30 | 56372673 | 2 | Boot, Battery Post | 62 | 56314538 | 1 | Strainer NOTE 3 |
| 31 | 56409152 | 1 | Barb, 90 Elbow, 1/2 x 1/2NPT NOTE 3 | | 56314756 | 1 | Strainer NOTE 4 |
| | 56314757 | 1 | Barb, 90 Elbow 3/4 x 1/2NPT NOTE 4 | 63 | 56386182 | 1 | Hose, Spiral .50ID x 26.00 |
| 32 | 56412196 | 1 | Hinge NOTE 7 | 64 | 56397189 | 1 | Spacer |
| | 56314973 | 1 | Hinge NOTE 8 | 65 | 56397215 | 1 | Solenoid Valve Assy, 36V (L1) |
| 33 | 56412273 | 1 | Barb, Adapter, 1/2 x 3/4GHT NOTE 3 | 66 | 56397508 | 1 | Charge Connector Assy |
| | 56900273 | 1 | Barb NOTE 4 | 67 | 56264318 | 1 | Hose, Spiral .500 NOTE 3 |
| 34 | 56468553 | 1 | Bushing, .27 x .37 x 1.30 | | 56263218 | 1 | Hose, .75 Clear PVC NOTE 4 |
| 35 | 56469380 | 1 | Clamp, P | 68 | 56442003 | 1 | Clamp, P |
| 36 | 56478246 | 2 | Tie, Cable | 69 | 56314339 | 1 | Kit, Battery Connector (includes items 70-73) (Advance Models only) NOTE 1 |
| 37 | 56003003 | 1 | Scr, Pan Phil 5/16-18 x .62 | 70 | 56456460 | 4 | Cable, Battery |
| 38 | 56046309 | 2 | Spacer, Phenolic | 71 | 56478246 | 10 | Tie, Cable |
| 39 | 56050872 | 1 | Spacer, Phenolic | 72 | 56372673 | 10 | Boot, Battery Post |
| 40 | 56314899 | 1 | Valve, Ball | 73 | 56441600 | 1 | Cable, Battery |
| 41 | 56262180 | 1 | Hose, Spiral .50ID x 7.00 | 74 | 56001993 | 2 | Scr, Pan Phil 10-24 x .50 NOTE 4 |
| 42 | 56314035 | 1 | Seat | 75 | 56314755 | 1 | Valve, Solution NOTE 4 |
| * | 56409613 | 1 | Switch, Seat (S2) | 76 | 56112771 | 4 | Clamp, Hose SAE #10 NOTE 4 |
| 43 | 56314049 | 1 | Solution Tank NOTE 7 | | 56219932 | 4 | Clamp, Hose SAE #6 NOTE 3 |
| | 56314940 | 1 | Solution Tank NOTE 8 | 77 | 56410162 | 1 | Hose, Spiral .75 ID x 7.00 NOTE 4 |
| 44 | 56314066 | 1 | Cover, Solution Tank, Assy | | 56262180 | 1 | Hose, Spiral .50 ID x 7.00 NOTE 3 |
| | | | | * | 56314119 | 1 | Battery Spacer (Advance Models only) |

* = Not Shown

NOTE 1: For Advance models "Battery Connector Kit" (56314339) is included with machine. For Nilfisk models battery cables are not included (after SN 1688856), but "Battery Connector Kit" (56314326) can be ordered separately if battery connectors are desired.

NOTE 2: Seat Weldment 56314221 was modified as of serial #1726172 to accommodate Onboard Charger Kit 56314753.

NOTE 3: Used on machines built before serial number chart "A".

NOTE 4: Used on machines built after serial number chart "A".

NOTE 5: Used on machines built before serial number chart "B".

NOTE 6: Used on machines built after serial number chart "B".

NOTE 7: Used on machines built before TSBUS2005-896.

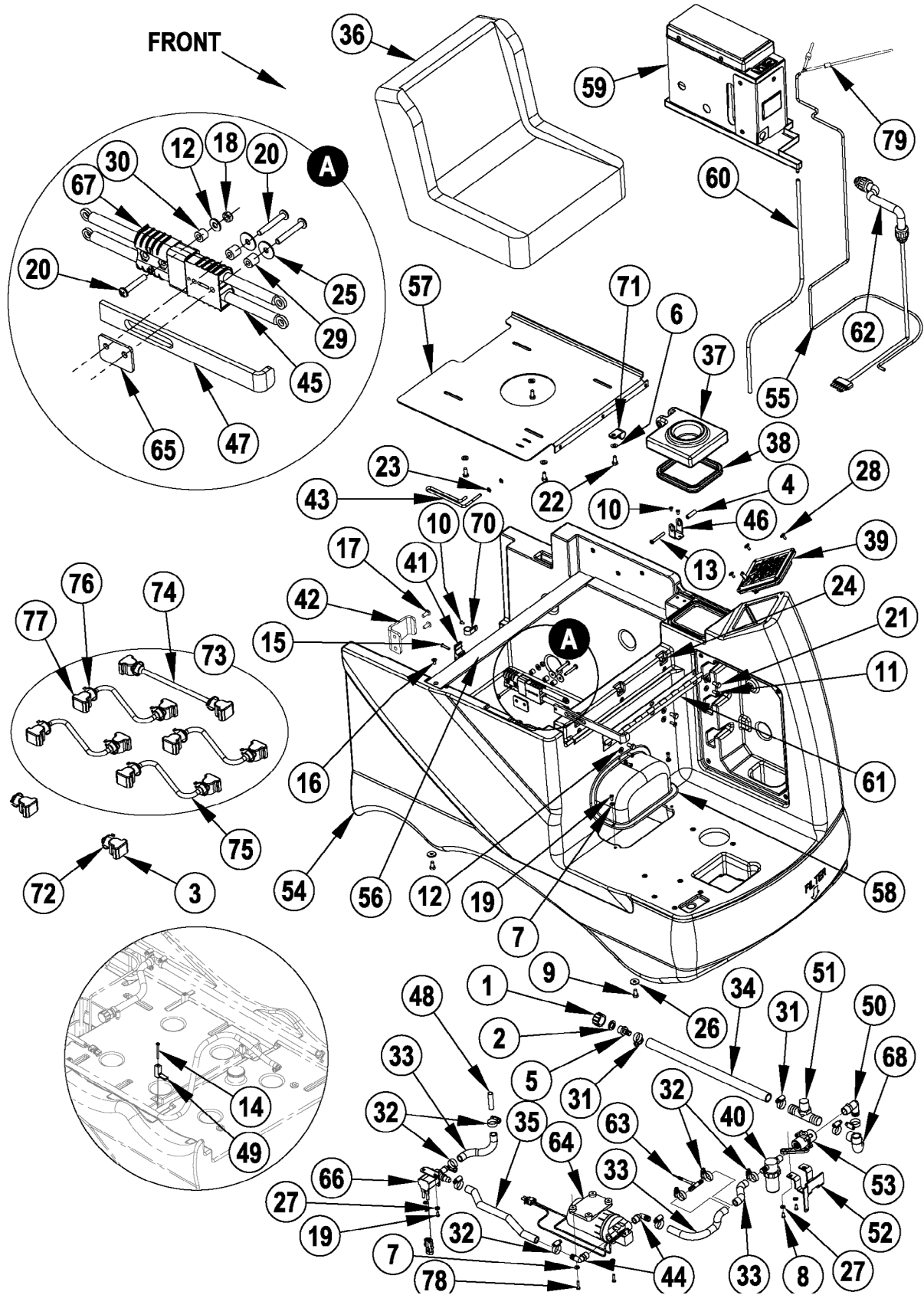
NOTE 8: Used on machines built after TSBUS2005-896.

NOTE 3 & 4
SERIAL NUMBER CHART "A"

1750239 - Advenger 2400D
1757986 - Advenger 2810D
1757999 - Advenger 3210D
1759162 - Advenger 2400C
1750252 - Advenger 2600C
1758000 - Advenger 2810C
1758002 - Advenger 3210C
1752024 - BR 600S
1752041 - BR 700S
1752046 - BR 800S
1752052 - BR 600SC
1752054 - BR 700SC
1753522 - BR 800SC

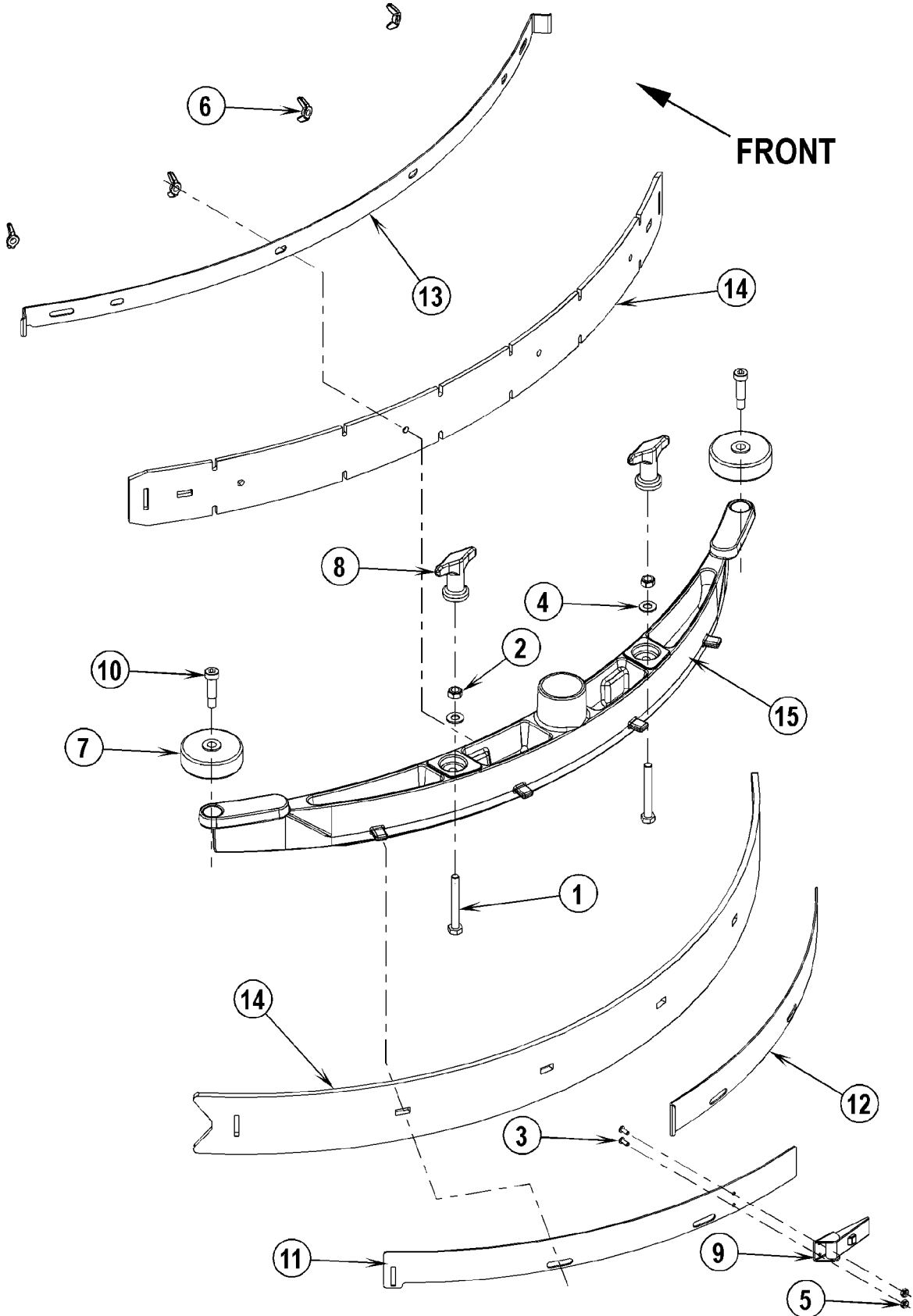
NOTE 5 & 6
SERIAL NUMBER CHART "B"

1837726 - Advenger 2400D
1839732 - Advenger 2600D
1837203 - Advenger 2810D
1837599 - Advenger 3210D
1839732 - Advenger 2400C
1839732 - Advenger 2600C
1837200 - Advenger 2810C
1837197 - Advenger 3210C
1837616 - BR 600S
1837623 - BR 700S
1839156 - BR 800S
1837650 - BR 600SC
1837652 - BR 700SC
1839732 - BR 800SC



| Item | Ref. No. | Qty | Description | Item | Ref. No. | Qty | Description |
|------|----------|-----|--------------------------------------|------|----------|-----|---|
| 1 | 56255076 | 1 | Cap, Pipe GHT Nylon | 39 | 56314072 | 1 | Control Panel Assy. Scrubber (before TSBUS2006-922) |
| 2 | 56368776 | 1 | Washer, Rubber | | 56316109 | 1 | Control Panel Assy (after TSBUS2006-943) |
| 3 | 56372673 | 2 | Boot, Battery Post | * | 56314713 | 1 | Membrane Switch Assy TSBUS2006-932 |
| 4 | 56468553 | 1 | Bushing, .27 x .37 x 1.3 | * | 56396188 | 1 | Switch, Key |
| 5 | 56900273 | 1 | Barb | * | 56396189 | 1 | Key, Spare |
| 6 | 56001939 | 4 | Wsh, Flt SAE 5/16 | 40 | 56314147 | 1 | Strainer |
| 7 | 56001954 | 5 | Wsh, Flt SAE #10 | 41 | 56314155 | 5 | Clamp, Cable |
| 8 | | | Intentionally Omitted | 42 | 56316526 | 1 | Tank Mount Bracket |
| 9 | 56002035 | 4 | Scr, Hex 5/16-18 x .62 | 43 | 56314223 | 1 | Prop Rod |
| 10 | 56002043 | 3 | Scr, Pan Phil 10-24 x .38 | 44 | 56900069 | 2 | Barb, 90 Elbow 1/2 x 3/8NPT |
| 11 | 56002066 | 3 | Scr, Pan Phil 1/4-20 x .62 | * | 56314971 | 1 | Harness, Main (before TSBUS2006-922) |
| 12 | 56002098 | 7 | Wsh, Flt SAE 1/4 | | 56316114 | 1 | Harness, Main (after TSBUS2006-922) |
| 13 | 56002108 | 1 | Scr, Pan Phil 1/4-20 x 2.00 | 45 | 56314253 | 1 | Charge Connector Assy |
| 14 | 56002171 | 4 | Scr, Pan Phil 10-24 x 2.00 | 46 | 56314264 | 1 | Hinge Bracket |
| 15 | 56002674 | 5 | Scr, Pan Phil 10-24 x 1.00 | 47 | 56314292 | 1 | Bar, Disconnect |
| 16 | 56002755 | 1 | Scr, Flt Phil 1/4-20 x .50 | 48 | 56314904 | 1 | Tube |
| 17 | 56002793 | 2 | Scr, Pan Phil 5/16-18 x .75 | 49 | 56314608 | 4 | Clamp, Cable |
| 18 | 56002840 | 1 | Nut, Hex Nyl Loc-Thin 1/4-20 | 50 | 56314757 | 1 | Barb, 90 Elbow 3/4 x 1/2NPT |
| 19 | 56002900 | 7 | Scr, Pan Phil SS 10-24 x .50 | 51 | 56314758 | 1 | Tee, Barb |
| 20 | 56002997 | 3 | Scr, Pan Phil 1/4-20 x 1.75 | 52 | 56314881 | 1 | Bracket, Valve |
| 21 | 56003178 | 3 | Scr, Hex M8-1.25 x 16mm | 53 | 56314899 | 1 | Valve, Solution |
| 22 | 56003179 | 4 | Scr, Hex Thd To Hd M8-1.25 x 20mm | 54 | 56314940 | 1 | Solution Tank |
| 23 | 56003268 | 2 | Ring, Ret Ext Type E Reinf. 0.25 Dia | 55 | 56314947 | 1 | Hose, Chem Resistant |
| 24 | 56003389 | 3 | Nut, Hex Nyl Loc M8-1.25 | 56 | 56314943 | 1 | Brkt, Seat |
| 25 | 56009002 | 2 | Wsh, Flt .266 x .906 x .060 | 57 | 56314949 | 1 | Weld't, Seat Mount |
| 26 | 56009122 | 4 | Wsh, Flt .344 x .938 x .125 | 58 | 56314960 | 1 | Cover, Actuator |
| 27 | 56009205 | 4 | Wsh, Flt SS .219 x .500 x .047/.062 | 59 | 56316537 | 1 | Assembly, Detergent Inject. (TSBUS2006-922) (see Detergent Injection System) |
| 28 | 56009206 | 4 | Scr, Truss Phil-Blk 10-24 x .50 | 60 | 56314965 | 1 | Hose, PVC 1/4 x 3/8 |
| 29 | 56046309 | 2 | Spacer, Phenolic | 61 | 56314973 | 1 | Hinge |
| 30 | 56050872 | 1 | Spacer, Phenolic | 62 | 56314980 | 1 | Harness, Chemical System |
| 31 | 56112771 | 4 | Clamp, Hose SAE #10 | 63 | 56314983 | 1 | Tee Assembly |
| 32 | 56219932 | 8 | Clamp, Hose SAE #6 | 64 | 56212014 | 1 | Pump, 36VDC |
| 33 | 56262180 | 3 | Hose, Spiral .50 Id x 7.00 | 65 | 56397189 | 1 | Spacer |
| 34 | 56263218 | 1 | Hose, .75 Clear PVC | 66 | 56397215 | 1 | Solenoid Valve Assy. 36V |
| 35 | 56409462 | 1 | Hose, Spiral .50 ID x 12 | 67 | 56397508 | 1 | Charge Connector Assy |
| 36 | 56314035 | 1 | Seat | 68 | 56410162 | 1 | Hose, Spiral .75 ID x 7.00 |
| 37 | 56314066 | 1 | Cover, Solution Tank, Assy | 69 | | | Intentionally Omitted |
| 38 | 56314069 | 1 | Gasket | 70 | 56442003 | 1 | Clamp, P |
| | | | | 71 | 56469380 | 1 | Clamp, P |
| | | | | 72 | 56478246 | 2 | Tie, Cable |
| | | | | 73 | 56314339 | 1 | Kit, Battery Connector (items 74-77) (Advance models only) |
| | | | | 74 | 56441600 | 1 | Cable, Battery |
| | | | | 75 | 56456460 | 4 | Cable, Battery |
| | | | | 76 | 56478246 | 10 | Tie, Cable |
| | | | | 77 | 56372673 | 10 | Boot, Battery Post |
| | | | | 78 | 56002733 | 2 | Scr, Pan Phil 10-24 x .88 |
| | | | | * | 56314119 | 1 | Spacer, Battery (Advance models only) |
| | | | | 79# | 56316209 | 1 | Check Valve Assy TSBUS2006-937 |

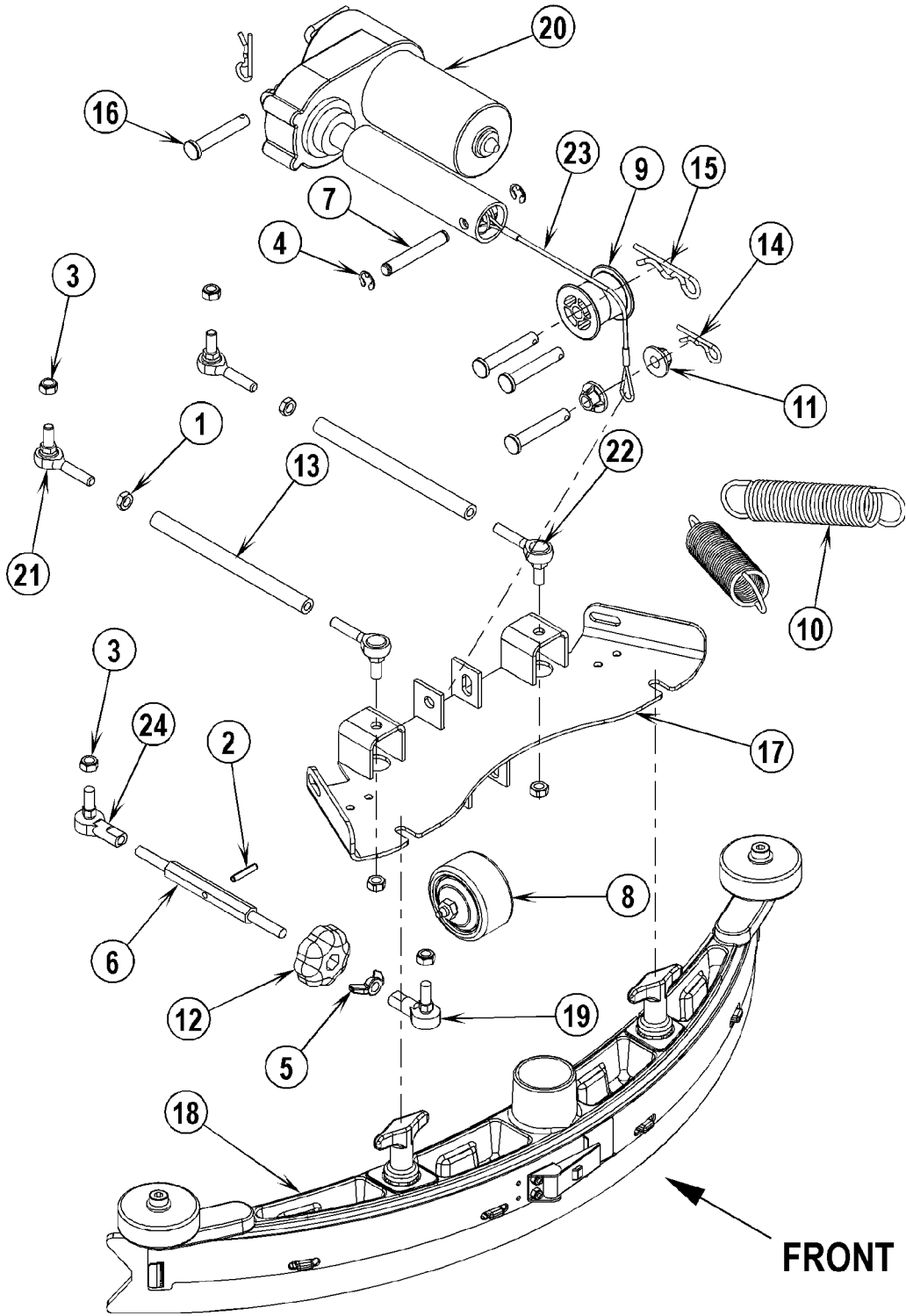
* = Not Shown



| Item | Ref. No. | Qty | Description |
|------|----------|-----|--|
| | 56314327 | 1 | Squeegee Assy (24") |
| | 56314020 | 1 | Squeegee Assy (26" & 28") |
| | 56314358 | 1 | Squeegee Assy (32") |
| 1 | 56003736 | 2 | Scr, Hex Hd SS 5/16-18 x 2.75 |
| 2 | 56002851 | 2 | Nut, Hex Nyl Loc-Thin SS 5/16-18 |
| 3 | 56002909 | 2 | Scr, Pan Phil SS 6-32 x .38 |
| 4 | 56002938 | 2 | Wsh, Flt SAE SS 5/16 |
| 5 | 56002907 | 2 | Nut, Hex Nyl Loc SS 6-32 |
| 6 | 56009111 | 4 | Nut, Wing SS 1/4-20 |
| 7 | 56324350 | 2 | Wheel |
| 8 | 56370711 | 2 | Nut, Thumb |
| 9 | 56471194 | 1 | Latch Assy |
| 10 | 56003472 | 2 | Scr, Soc Shd .38 x 1.00 x 5/16-18 |
| 11 | 56314317 | 1 | Strap, Left Rear (24") |
| | 56314026 | 1 | Strap, Left Rear (26" & 28") |
| | 56314323 | 1 | Strap, Left Rear (32") |
| 12 | 56314318 | 1 | Strap, Right Rear (24") |
| | 56314027 | 1 | Strap, Right Rear (26" & 28") |
| | 56314324 | 1 | Strap, Right Rear (32") |
| 13 | 56314316 | 1 | Strap, Front (24") |
| | 56314028 | 1 | Strap, Front (26" & 28") |
| | 56314322 | 1 | Strap, Front (32") |
| 14 | 56314054 | 1 | Kit, Standard Squeegee Blade (24") NOTE #1 |
| | 56314303 | 1 | Kit, Standard Squeegee Blade (26" & 28") NOTE #1 |
| | 56314060 | 1 | Kit, Standard Squeegee Blade (32") NOTE #1 |
| 15 | 56314319 | 1 | Squeegee Tool, Cast (24") |
| | 56314271 | 1 | Squeegee Tool, Cast (26" & 28") |
| | 56314325 | 1 | Squeegee Tool, Cast (32") |
| | | | 24" Squeegee Blade Kits |
| ** | 56314055 | 1 | Kit, Linatex Squeegee Blade NOTE #1 |
| ** | 56314056 | 1 | Kit, Neoprene Squeegee Blade NOTE #1 |
| | | | 26" & 28" Squeegee Blade Kits |
| ** | 56314304 | 1 | Kit, Linatex Squeegee Blade NOTE #1 |
| ** | 56314305 | 1 | Kit, Neoprene Squeegee Blade NOTE #1 |
| | | | 32" Squeegee Blade Kits |
| ** | 56314061 | 1 | Kit, Linatex Squeegee Blade NOTE #1 |
| ** | 56314062 | 1 | Kit, Neoprene Squeegee Blade NOTE #1 |

** = Optional, Not Included

NOTE #1: All squeegee blade kits include both front and rear squeegee blades.



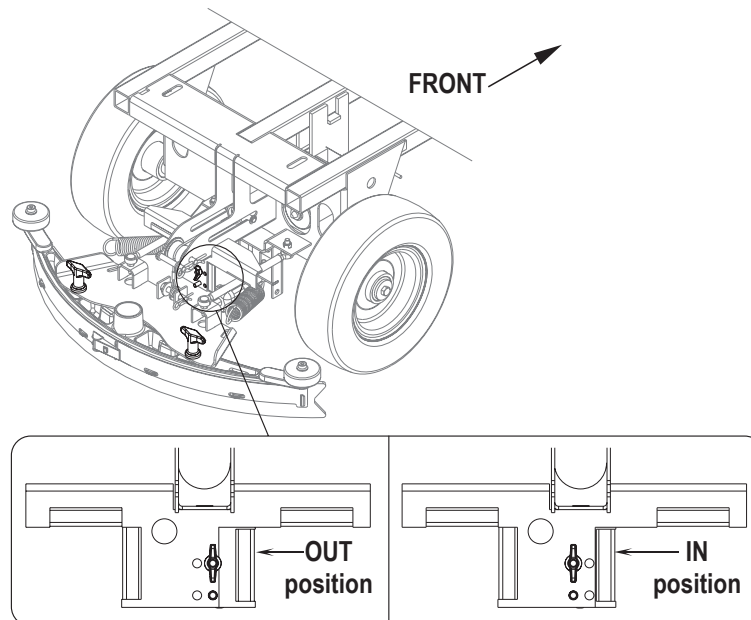
| Item | Ref. No. | Qty | Description |
|------|----------|-----|---|
| 1 | 56001884 | 2 | Nut, Hex Jam 5/16-24 |
| 2 | 56002082 | 1 | Pin, SPR .19 x 1.00 |
| 3 | 56002866 | 6 | Nut, Hex Nyl Loc-Thin 5/16-24 |
| 4 | 56003262 | 2 | Ring, Ret Ext Type E .38 Dia. |
| 5 | 56003497 | 1 | Nut, Wing SS 5/16-24 |
| 6 | 56412067 | 1 | Connecting Rod |
| 7 | 56412088 | 1 | Pin |
| 8 | 56412124 | 1 | Wheel |
| 9 | 56412208 | 1 | Roller |
| 10 | 56412216 | 2 | Spring, Extension |
| 11 | 56412248 | 4 | Spacer, Squeegee Cable |
| 12 | 56412284 | 1 | Knob, Squeegee Adjust |
| 13 | 56412314 | 2 | Connecting Rod |
| 14 | 56003222 | 2 | Pin, Cotter Hair |
| 15 | 56003223 | 1 | Pin, Cot Hair .148 x Dia .62/1.00 |
| 16 | 56003656 | 4 | Clevis Pin .375 x 2.25 |
| 17 | 56314023 | 1 | Squeegee Mount Weld't. |
| 18 | 56314327 | 1 | Squeegee Assy (24") (2400) NOTE 1 |
| | 56314020 | 1 | Squeegee Assy (26" & 28") (2600, 2810) (BR 600S, 650S, 600SC, 650SC) NOTE 1 |
| | 56314358 | 1 | Squeegee Assy (32") (3210) (BR 700S, 800S, 700SC, 800SC) NOTE 1 |
| 19 | 56395755 | 1 | Rod End |
| 20 | 56397230 | 1 | Lift Actuator, Squeegee (M2) NOTE 2 TSBUS2004-864 |
| 21 | 56412312 | 2 | Rod End, 5/16 |
| 22 | 56412313 | 2 | Rod End, 5/16 |
| 23 | 56412340 | 1 | Cable Assembly |
| 24 | 56477756 | 1 | Rod End |

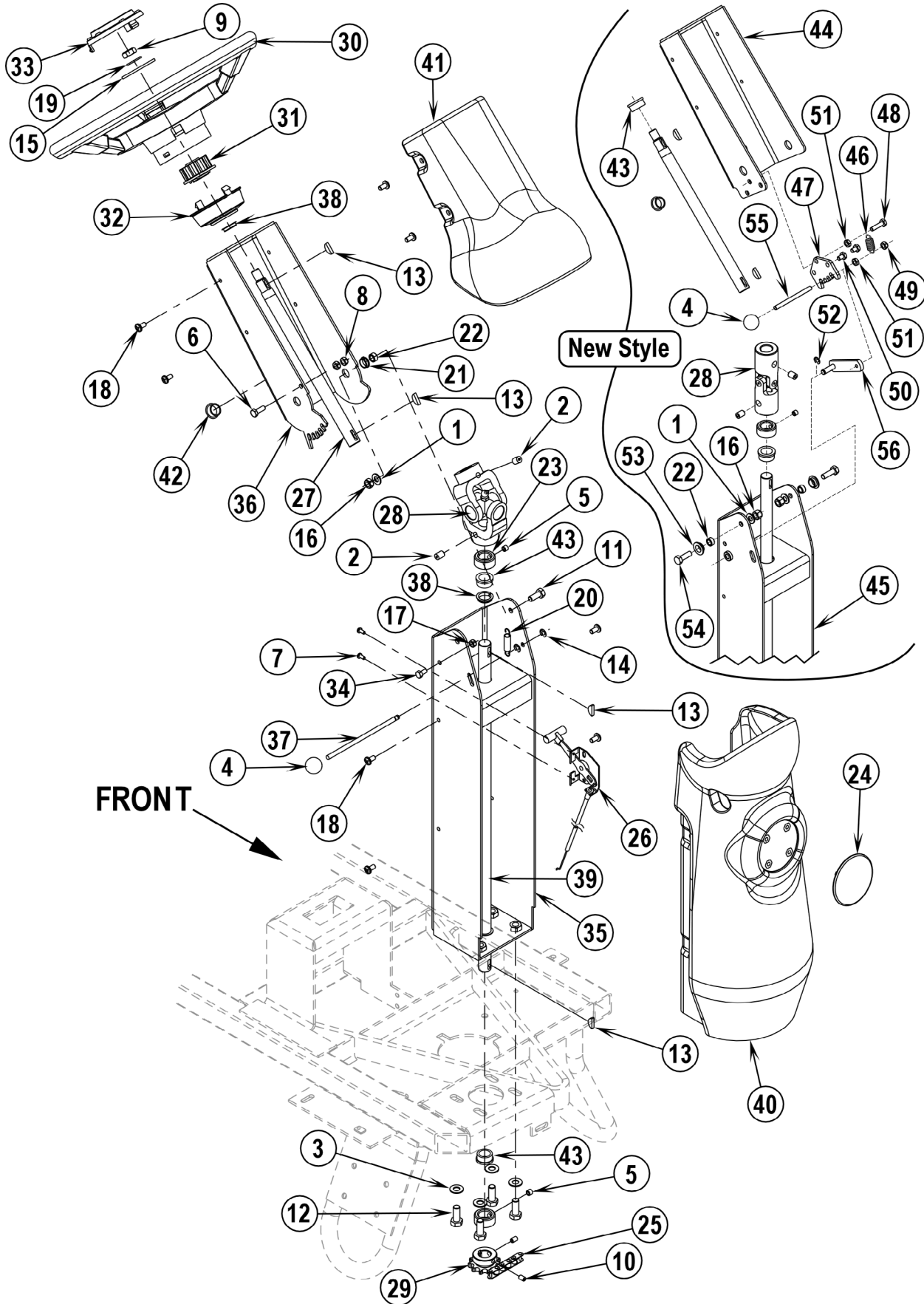
* = Not Shown

NOTE 1: BR 600S & BR 600SC models before SN 1819567 used Squeegee Assy 56314327, after SN use Squeegee Assy 56314020. If replacing squeegee 56314327 with 56314020 on either one of these two models (SN before 1819567) the Squeegee Stop Bracket needs to be set at the "IN" position. See TSBUS2005-891.

BR 700S & BR 700SC models before SN1819567 used Squeegee Assy 56314020, after SN use Squeegee Assy 56314358. If replacing squeegee 56314020 with 56314358 on either one of these two models (SN before 1819567) the Squeegee Stop Bracket needs to be set at the "IN" position. See TSBUS2005-891.

NOTE 2: From August of 2003 through March 1, 2004 Squeegee Lift Actuator 56314118 was used. All machines built prior to August 2003 and shipped after March 1, 2004 use Actuator 56397230. If you have a machine built between these two dates and are experiencing control panel circuit board or squeegee lift actuator problems you should order **Control & Actuator Update Kit, part number 56314710.**





| Item | Ref. No. | Qty | Description | Item | Ref. No. | Qty | Description |
|------|----------|-----|--|------|----------|-----|--|
| 1 | 56001939 | 2 | Wsh, Flt SAE 5/16 | 44 | 56413657 | 1 | Column, Upper NOTE 4 |
| 2 | 56001958 | 2 | Scr, Soc Set Loc 3/8-16 x .50 | 45 | 56413659 | 1 | Lower Column Weldment NOTE 4 |
| 3 | 56002063 | 4 | Wsh, Flt SAE 3/8 | 46 | 56305072 | 1 | Spring, Extension .075 NOTE 4 |
| 4 | 56440817 | 1 | Knob | 47 | 56413658 | 1 | Ratchet, Steering Column NOTE 4 |
| 5 | 56002086 | 2 | Scr, Soc Set Loc 5/16-18 x .25 | 48 | 56002093 | 1 | Scr, Hex 1/4-20 x 1.00 NOTE 4 |
| 6 | 56002155 | 1 | Scr, Hex Hd 1/4-20 x .75 NOTE 3 | 49 | 56002840 | 1 | Nut, Hex Nyl Loc-Thin 1/4-20 NOTE 4 |
| 7 | 56002523 | 2 | Scr, Pan Phil Thd Form 8-32 x .38 NOTE 5 | 50 | 56003039 | 2 | Scr, Hex Hd Loc 1/4-20 x .50 NOTE 4 |
| 8 | 56002840 | 2 | Nut, Hex Nyl Loc-Thin 1/4-20 NOTE 3 | 51 | 56003145 | 2 | Nut, Hex Jam SS 1/4-20 NOTE 4 |
| 9 | 56002843 | 1 | Nut, Hex Nyl Loc-Thin 1/2-13 | 52 | 56003261 | 1 | Ring, Ret Ext Type E 0.31 Dia NOTE 4 |
| 10 | 56002930 | 2 | Scr, Soc Set Loc 1/4-20 x .38 | 53 | 56413211 | 2 | Bearing, Flange .625 x .500 x .250 NOTE 4 |
| 11 | 56003179 | 2 | Scr, Hex Thd To Hd M8-1.25 x 20mm NOTE 3 | 54 | 56003436 | 2 | Scr, Hex SS M8-1.25 x 25mm NOTE 4 |
| 12 | 56003186 | 4 | Scr, Hex Thd To Hd M10-1.50 x 25mm | 55 | 56413664 | 1 | Rod NOTE 4 |
| 13 | 56003228 | 4 | Key, WDF .75 x .19 | 56 | 56413661 | 1 | Steering Pawl Weldment NOTE 4 |
| 14 | 56003268 | 2 | Ring, Ret Ext Type E Reinf .25 Dia NOTE 3 | | | | |
| 15 | 56003342 | 1 | Wsh, Flt .88 x .25 x .13 | | | | |
| 16 | 56003389 | 2 | Nut, Hex Nyl Loc M8-1.25 | | | | |
| 17 | 56003403 | 1 | Nut, Hex Nyl Loc M6-1.00 NOTE 3 | | | | |
| 18 | 56009062 | 8 | Scr, Pan Phil Thd Form 1/4-20 x .50 | | | | |
| 19 | 56001879 | 1 | Wsh, Flt SAE 1/2 | | | | |
| 20 | 56245008 | 1 | Spring, Extension NOTE 3 | | | | |
| 21 | 56302164 | 2 | Bearing, Flange NOTE 3 | | | | |
| 22 | 56320595 | 2 | Bushing .32 x .50 x .28 | | | | |
| 23 | 56367095 | 2 | Collar, Shaft | | | | |
| 24 | 56412095 | 1 | Plaque, Decal Logo | | | | |
| 25 | 56412198 | 1 | Chain, Roller | | | | |
| 26 | 56412281 | 1 | Solution Control Cable NOTE 5 | | | | |
| 27 | 56420059 | 1 | Shaft, Upper Steering | | | | |
| 28 | 56454081 | 1 | Universal Joint | | | | |
| 29 | 56471148 | 1 | Sprocket | | | | |
| 30 | 56497306 | 1 | Steering Wheel | | | | |
| 31 | 56497560 | 1 | Wheel Adapter | | | | |
| 32 | 56497308 | 1 | Cup | | | | |
| 33 | 56497543 | 1 | Cap | | | | |
| 34 | 56003155 | 1 | Scr, Hex M6-1.00 x 12mm NOTE 3 | | | | |
| 35 | 56314048 | 1 | Lower Column Weldment NOTE 1 TSBUS2005-887 | | | | |
| | 56314877 | 1 | Lower Column Weldment NOTE 2 TSBUS2005-887 NOTE 3 | | | | |
| 36 | 56314093 | 1 | Column, Steering NOTE 3 | | | | |
| 37 | 56314094 | 1 | Rod, Steering lock NOTE 3 | | | | |
| 38 | 56314148 | 3 | Bearing, Nyliner (qty of 1 after serial number chart) TSBUS2005-887 NOTE 3 | | | | |
| 39 | 56314195 | 1 | Shaft, Lower Steering | | | | |
| 40 | 56314295 | 1 | Shroud, Lower Column | | | | |
| 41 | 56314296 | 1 | Shroud, Upper Column | | | | |
| 42 | 56900041 | 1 | Plug, Cap | | | | |
| 43 | 56250414 | 2 | Bearing, Flange NOTE 2 TSBUS2005-887 (qty of 3 after serial number 1942863) | | | | |

NOTE 1: Used on machines built before serial number chart.

NOTE 2: Used on machines built after serial number chart.

NOTE 3: Used on machines built before serial number 1942864.

NOTE 4: Used on machines built after serial number 1942863.

NOTE 5: Not used on AXP/EDS models.

NOTE 1 & 2 SERIAL NUMBER CHART

1797475 - Advenger™ 2400C, 2400D, 2600C, 2600D, 2810D

1797186 - Advenger™ 3210D

1797261 - Advenger™ 2810C

1797187 - Advenger™ 3210C

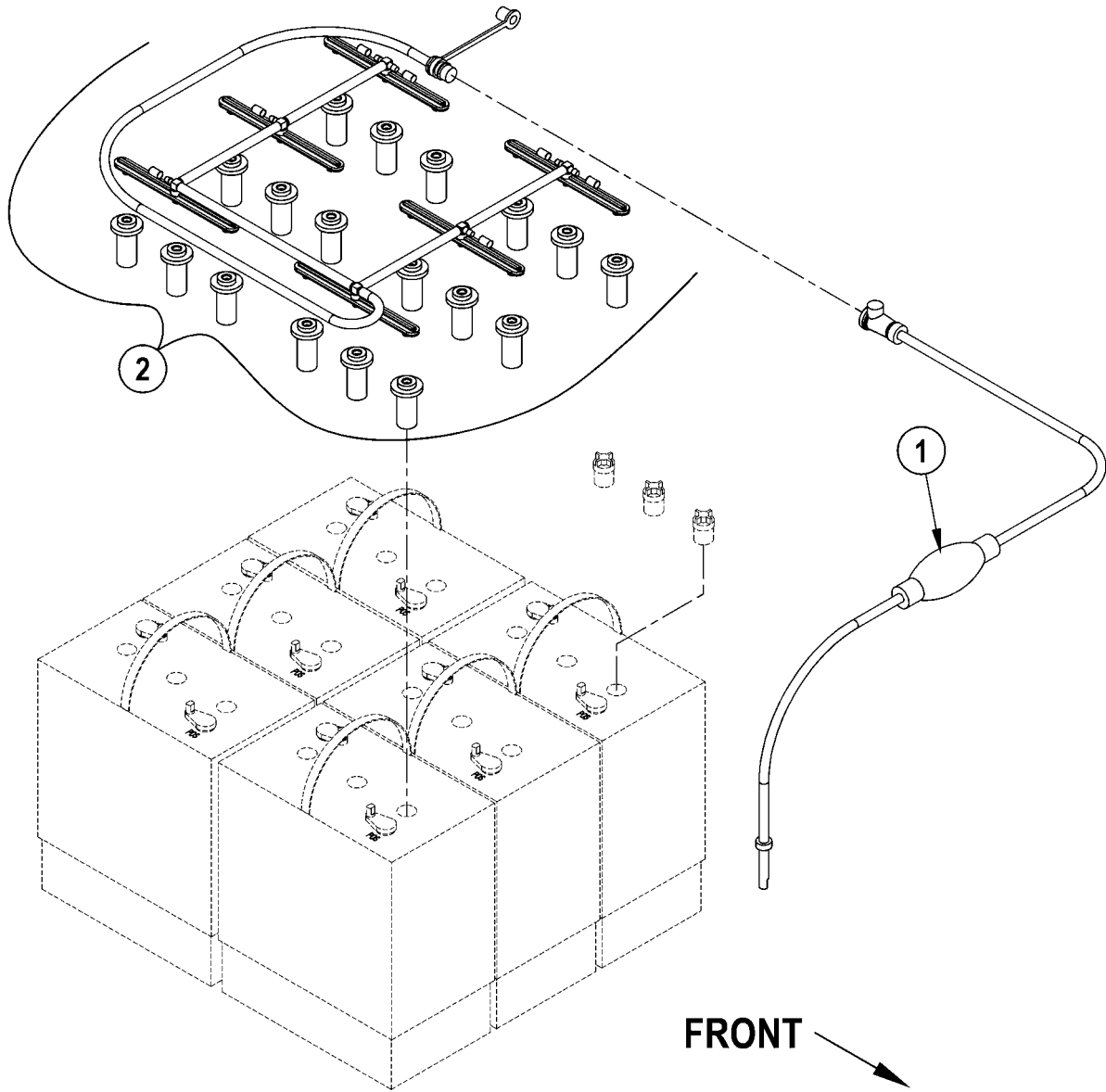
1796877 - BR 600S

1796885 - BR 700S

1796896 - BR 800S

1796903 - BR 700SC

1796906 - BR 800SC



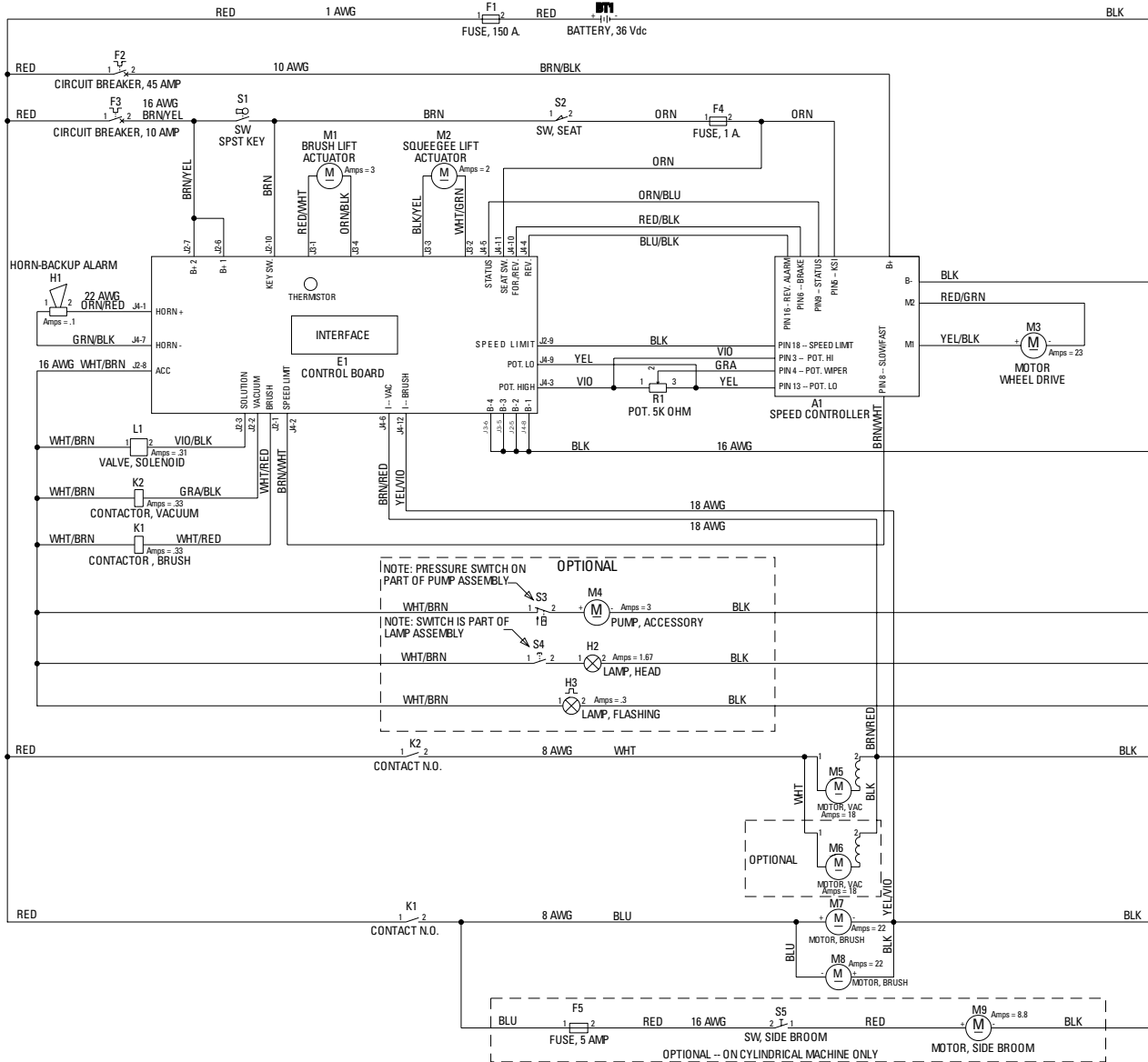
03-1

BATTERY WATERING SYSTEM**BOOK E**

06-3

Advenger™ / BR 600S series**E****13.3.1****39**

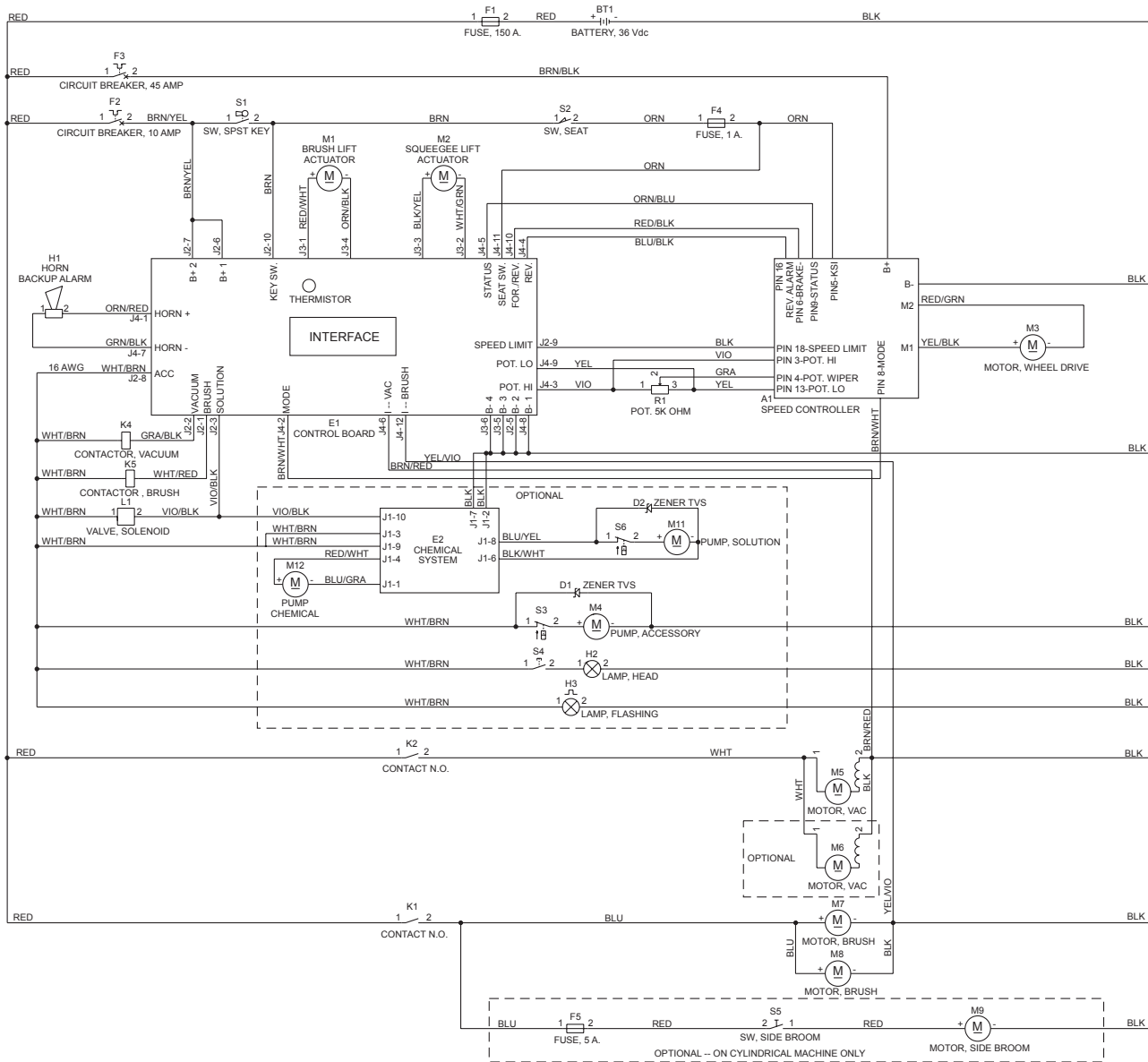
| Item | Ref. No. | Qty | Description |
|------|----------|-----|--|
| | 56314974 | 1 | Battery Watering System (items 1-2) (Standard on Advance Detergent Injection Models) |
| | 56314981 | 1 | Battery Watering Kit (includes 56314974 and instruction sheet 56040853) |
| 1 | 56314978 | 1 | Pump |
| 2 | 56314979 | 1 | Manifold Assembly |



| Item | Ref. No. | Qty | Description | Item | Ref. No. | Qty | Description |
|------|----------|-----|--|------|----------|-----|-----------------------------------|
| A1 | 56314067 | 1 | Controller | M7 | 56314139 | 1 | Motor Gearbox Assy (24" / Disk) |
| BT1 | N/A | | Battery | | 56314140 | 1 | Motor Gearbox Assy (26" / Disk) |
| E1 | 56314072 | 1 | Control Panel Assy (before TSBUS2006-922) | | 56314141 | 1 | Motor Gearbox Assy (28" / Disk) |
| | 56316109 | 1 | Control Panel Assy (after TSBUS2006-943) | | 56314335 | 1 | Motor Gearbox Assy (32" / Disk) |
| * | 56314713 | 1 | Membrane Switch Assy TSBUS2006-932 | * | 56314359 | 2 | Key, 6mm Square |
| * | 56396188 | 1 | Switch, Key | * | 56314499 | 2 | Cover, Gearbox |
| * | 56396189 | 1 | Key, Spare | * | 56314560 | 2 | Gearbox |
| F1 | 56412089 | 1 | Fuse, 150 Amp | * | 56314580 | 1 | Bearing (Fan End) |
| F2 | 56364294 | 1 | Circuit Breaker, 45 Amp (Wheel Drive) | *# | 56412323 | 1 | Bearing (Brush End) |
| F3 | 56387316 | 1 | Circuit Breaker, 10 Amp (Control Circuit) | * | 56314582 | 1 | Brush Ring |
| F4 | N/A | 1 | Fuse, 1 Amp | * | 56314583 | 4 | Carbon Brush |
| F5 | | 1 | Fuse, 5 Amp (Side Broom / optional) | * | 56314584 | 1 | Safety Hook |
| H1 | 56412177 | 1 | Horn / Backup Alarm | | 56407431 | 1 | Motor, 36VDC, .75HP (Cylindrical) |
| H2 | 56314063 | 1 | Headlight (optional) | | | | TSBUS2004-868 |
| H3 | 56416433 | 1 | Strobe Light (optional) | * | 56417489 | 1 | Armature (for 56407431) |
| K1 | 56395450 | 1 | Contact, Brush Motor | * | 56407490 | 1 | Bearing (for 56407431) |
| K2 | 56395450 | 1 | Contact, Vac Motor | * | 56407492 | 1 | Brush Cap Assy (for 56407431) |
| L1 | 56397215 | 1 | Solenoid Valve | * | 56407493 | 4 | Carbon Brush Assy (for 56407431) |
| M1 | 56393303 | 1 | Lift Actuator, Brush | * | 56407494 | 4 | Brush Cover Cap (for 56407431) |
| * | 56470433 | 1 | Carbon Brush Kit | M8 | 56407431 | 1 | Motor, 36VDC, .75HP (Cylindrical) |
| * | 56393790 | 2 | Limit Switch | | | | TSBUS2004-868 |
| * | 56388520 | 1 | Plastic Nut | * | 56417489 | 1 | Armature (for 56407431) |
| M2 | 56397230 | 1 | Lift Actuator, Squeegee TSBUS2004-864 | * | 56407490 | 1 | Bearing (for 56407431) |
| M3 | 56314268 | 1 | Motor, Drive Wheel TSBUS2004-869 | * | 56407492 | 1 | Brush Cap Assy (for 56407431) |
| * | 56314920 | 1 | Drive Wheel Harness Kit TSBUS2004-869 | * | 56407493 | 4 | Carbon Brush Assy (for 56407431) |
| * | 56314282 | 1 | Brake Bar | * | 56407494 | 4 | Brush Cover Cap (for 56407431) |
| * | 56314289 | 1 | Brake Band | M9 | 56469530 | 1 | Motor, Side Broom (optional) |
| * | 56412320 | 1 | Carbon Brush Cover Kit (contains 4 seal rings & 4 brush covers) | R1 | 56454740 | 1 | Potentiometer, 5K |
| * | 56412321 | 1 | Sealing Ring | S1 | 56396188 | 1 | Switch, Key |
| * | 56412322 | 1 | Bearing, Ball, Gearbox Side | * | 56396189 | 1 | Key, Spare |
| *# | 56412323 | 1 | Bearing, Ball, Brush Side | S2 | 56409613 | 1 | Switch, Seat |
| * | 56412325 | 1 | Carbon Brush Kit | S3 | N/A | 1 | Switch, Pump (part of M4) |
| * | 56314269 | 1 | Drive Wheel – P7 Scrubber Compound | S4 | N/A | 1 | Switch, Headlight (part of H2) |
| ** | 56412339 | 1 | Drive Wheel – Polyurethane | S5 | 56372088 | 1 | Switch, Side Broom (optional) |
| M4 | 56212014 | 1 | Motor, Pump (optional) | | | | * = Not Shown |
| M5 | 56397228 | 1 | Motor, Vac 36VDC (Advance) | | | | ** = Optional |
| * | 56212223 | 1 | Carbon Brush Set | | | | |
| | 56410065 | 1 | Vac Motor Assy (Nilfisk) | | | | |
| * | 56212223 | 1 | Carbon Brush Set | | | | |
| M6 | 56397228 | 1 | Motor, Vac 36VDC (optional) | | | | |
| * | 56212223 | 1 | Carbon Brush Set | | | | |

Wiring diagram for Machines built before this Serial Number Chart

2400D-1837726
 2400C-1839732
 2600D-1839732
 2600C-1839732
 2810D-1837203
 3210D-1837599
 2810C-1837200
 3210C-1837197
 BR600S-1837616
 BR700S-1837623
 BR800S-1839156
 BR600SC-1837650
 BR700SC-1837652
 BR800SC-1839732
 Lowes 3210D-1837646



REFERENCE: WIRING DIAGRAM 56316115

56016746-REV. A

| Item | Ref. No. | Qty | Description | Item | Ref. No. | Qty | Description |
|------|----------|-----|--|------|----------|-----|--|
| A1 | 56314067 | 1 | Controller | M7 | 56314139 | 1 | Motor Gearbox Assy (24" / Disk) |
| BT1 | N/A | | Battery | | 56314140 | 1 | Motor Gearbox Assy (26" / Disk) |
| E1 | 56314072 | 1 | Control Panel Assy (before TSBUS2006-922) | | 56314141 | 1 | Motor Gearbox Assy (28" / Disk) |
| | 56316109 | 1 | Control Panel Assy (after TSBUS2006-943) | | 56314335 | 1 | Motor Gearbox Assy (32" / Disk) |
| * | 56314713 | 1 | Membrane Switch Assy TSBUS2006-932 | * | 56314359 | 2 | Key, 6mm Square |
| * | 56396188 | 1 | Switch, Key | * | 56314499 | 2 | Cover, Gearbox |
| * | 56396189 | 1 | Key, Spare | * | 56314560 | 2 | Gearbox |
| E2 | 56316110 | 1 | Control Assy. (Chemical Injection only) | * | 56314580 | 1 | Bearing (Fan End) |
| | | | TSBUS2006-922 | *# | 56412323 | 1 | Bearing (Brush End) |
| F1 | 56412089 | 1 | Fuse, 150 Amp | * | 56314582 | 1 | Brush Ring |
| F2 | 56364294 | 1 | Circuit Breaker, 45 Amp (Wheel Drive) | * | 56314583 | 4 | Carbon Brush |
| F3 | 56387316 | 1 | Circuit Breaker, 10 Amp (Control Circuit) | * | 56314584 | 1 | Safety Hook |
| F4 | N/A | 1 | Fuse, 1 Amp | | 56407431 | 1 | Motor, 36VDC, .75HP (Cylindrical) |
| F5 | | 1 | Fuse, 5 Amp (Side Broom / optional) | | | | TSBUS2004-868 |
| H1 | 56412177 | 1 | Horn / Backup Alarm | * | 56417489 | 1 | Armature (for 56407431) |
| H2 | 56314063 | 1 | Headlight (optional) | * | 56407490 | 1 | Bearing (for 56407431) |
| H3 | 56416433 | 1 | Strobe Light (optional) | * | 56407492 | 1 | Brush Cap Assy (for 56407431) |
| K1 | 56395450 | 1 | Contactora, Brush Motor | * | 56407493 | 4 | Carbon Brush Assy (for 56407431) |
| K2 | 56395450 | 1 | Contactora, Vac Motor | * | 56407494 | 4 | Brush Cover Cap (for 56407431) |
| L1 | 56397215 | 1 | Solenoid Valve | M8 | 56407431 | 1 | Motor, 36VDC, .75HP (Cylindrical) |
| M1 | 56393303 | 1 | Lift Actuator, Brush | | | | TSBUS2004-868 |
| * | 56470433 | 1 | Carbon Brush Kit | * | 56417489 | 1 | Armature (for 56407431) |
| * | 56393790 | 2 | Limit Switch | * | 56407490 | 1 | Bearing (for 56407431) |
| * | 56388520 | 1 | Plastic Nut | * | 56407492 | 1 | Brush Cap Assy (for 56407431) |
| M2 | 56397230 | 1 | Lift Actuator, Squeegee | * | 56407493 | 4 | Carbon Brush Assy (for 56407431) |
| M3 | 56314268 | 1 | Motor, Drive Wheel | * | 56407494 | 4 | Brush Cover Cap (for 56407431) |
| * | 56314282 | 1 | Brake Bar | M9 | 56469530 | 1 | Motor, Side Broom (optional) |
| * | 56314289 | 1 | Brake Band | M11 | 56212014 | 1 | Pump, Solution (Detergent Injection only) |
| * | 56412320 | 1 | Carbon Brush Cover Kit (contains 4 seal rings & 4 brush covers) | M12 | 56314984 | 1 | Pump, Chemical (Detergent Injection only) |
| * | 56412321 | 1 | Sealing Ring | R1 | 56454740 | 1 | Potentiometer, 5K |
| * | 56412322 | 1 | Bearing, Ball, Gearbox Side | S1 | 56396188 | 1 | Switch, Key |
| *# | 56412323 | 1 | Bearing, Ball, Brush Side | * | 56396189 | 1 | Key, Spare |
| * | 56412325 | 1 | Carbon Brush Kit | S2 | 56409613 | 1 | Switch, Seat |
| * | 56314269 | 1 | Drive Wheel – P7 Scrubber Compound | S3 | N/A | 1 | Switch, Pump (part of M4) |
| ** | 56412339 | 1 | Drive Wheel – Polyurethane | S4 | N/A | 1 | Switch, Headlight (part of H2) |
| M4 | 56212014 | 1 | Motor, Pump (optional) | S5 | 56372088 | 1 | Switch, Side Broom (optional) |
| M5 | 56397228 | 1 | Motor, Vac 36VDC (Advance) | S6 | N/A | 1 | Switch, Pump (part of M11) |
| * | 56212223 | 1 | Carbon Brush Set | | | | |
| * | 56410065 | 1 | Vac Motor Assy (Nilfisk) | | | | |
| * | 56212223 | 1 | Carbon Brush Set | | | | |
| M6 | 56397228 | 1 | Motor, Vac 36VDC (optional / Advance) | | | | |
| * | 56212223 | 1 | Carbon Brush Set | | | | |
| * | 56410065 | 1 | Vac Motor Assy (optional / Nilfisk) | | | | |
| * | 56212223 | 1 | Carbon Brush Set | | | | |

* = Not Shown

** = Optional

**Wiring diagram for Machines built
after this Serial Number Chart**

2400D-1837726
 2400C-1839732
 2600D-1839732
 2600C-1839732
 2810D-1837203
 3210D-1837599
 2810C-1837200
 3210C-1837197
 BR600S-1837616
 BR700S-1837623
 BR800S-1839156
 BR600SC-1837650
 BR700SC-1837652
 BR800SC-1839732
 Lowes 3210D-1837646

We provide brushes and pad holders that will give you the best possible performance between machine and floor. Following are descriptions of the materials and their applications.

- Union Mix:** Medium grade natural fibers for polishing finished floors with standard-speed equipment. Recommended for use in place of white pads.
- ProLite:** Bristles are made from light-duty polypropylene for general scrubbing when you do not want to scratch or remove finish from the floor. Recommended for use in place of red pads.
- Prolene:** Polypropylene material for medium-duty scrubbing on concrete, terrazzo and vinyl floor tile. Recommended for use in place of green or blue pads.
- Magna Grit:** For extreme heavy-duty scrubbing or stripping of floors. This brush has extra large diameter silicon carbide grit impregnated synthetic bristles. Recommended for use in place of black pads.
- Dyna Grit:** For aggressive, heavy-duty scrubbing or stripping of floors. Recommended for use in place of brown pads.
- MidLite Grit:** For general purpose scrubbing of sealed or unsealed concrete, stone, terrazzo, quarry tile and other resilient hard floor surfaces. Recommended for use in place of green or blue pads.
- MidGrit:** For general purpose scrubbing when you need a lighter action for sealed or unsealed concrete, stone, terrazzo, quarry tile and other resilient hard floor surfaces. Recommended for use in place of green or blue pads.
- AgLite Grit:** For light scrubbing when used wet; buffing or polishing when used dry on urethane coated, sealed concrete or other resilient hard surface floors. Recommended for use in place of red or white pads.
- Short Trim Pad Holder:** Made with a structural foam block and center ring for correct pad centering. It has a "shower feed" design for getting solution to the floor.

24" BRUSHES

- 56505750 - Short Trim Pad Holder
- 56505195 - Pad Retainer for 56505750
- 56505751 - Magna Grit
- 56505752 - Dyna Grit
- 56505753 - AgLite Grit
- 56505754 - Prolene
- 56505755 - Prolite
- 56505756 - Union Mix
- 56505757 - MidGrit
- 56505758 - MidLite Grit

26" BRUSHES

- 56505760 - Short Trim Pad Holder
- 56505195 - Pad Retainer for 56505760
- 56505761 - Magna Grit
- 56505762 - Dyna Grit
- 56505763 - AgLite Grit
- 56505764 - Prolene
- 56505765 - Prolite
- 56505766 - Union Mix
- 56505767 - MidGrit
- 56505768 - MidLite Grit

28" BRUSHES

- 56505800 - Short Trim Pad Holder
- 56505195 - Pad Retainer for 56505800
- 56505801 - Magna Grit
- 56505802 - Dyna Grit
- 56505803 - AgLite Grit
- 56505804 - Prolene
- 56505805 - Prolite
- 56505806 - Union Mix
- 56505807 - MidGrit
- 56505808 - MidLite Grit

32" BRUSHES

- 56505830 - Short Trim Pad Holder
- 56505195 - Pad Retainer for 56505830
- 56505831 - Magna Grit
- 56505832 - Dyna Grit
- 56505833 - AgLite Grit
- 56505834 - Prolene
- 56505835 - Prolite
- 56505836 - Union Mix
- 56505837 - MidGrit
- 56505838 - MidLite Grit

DISC BRUSH APPLICATION GUIDE (SUGGESTION ONLY)

| Application | 46 Grit | 80 Grit | 180 Grit | 240 Grit | 500 Grit | Prolene | Prolite | Union Mix |
|---------------------------|---------|---------|----------|----------|----------|---------|---------|-----------|
| Stripping: | | | | | | | | |
| Concrete | X | X | | | | | | |
| Terrazzo | X | X | | | | | | |
| Ceramic/Quarry tile | | X | | | | | | |
| Vinyl tile | | X | | | | | | |
| General Scrubbing: | | | | | | | | |
| Concrete | X | X | X | X | | X | | |
| Terrazzo | | | X | X | X | X | | |
| Ceramic/Quarry tile | | | X | X | X | X | | |
| Marble | | | | | X | | X | |
| Vinyl tile | | | X | | X | X | | |
| Raised-rubber tile | | | | | X | | X | |
| Polishing: | | | | | | | | |
| Raised Disc Tile | | | | | | | | X |
| Marble | | | | | | | | X |
| Vinyl tile | | | | | | | | X |

We provide brushes and pad holders that will give you the best possible performance between machine and floor. Following are descriptions of the materials and their applications.

- 46 Grit Brush: Most aggressive grit brush. Used primarily to clean heavy buildup on concrete floors in factories, or for heavy stripping of finish.
- 80 Grit Brush: Medium aggressive grit brush. Good all-around brush for medium to heavy buildup removal. Can also be used for general stripping operations.
- 180 Grit Brush: Least aggressive grit brush. Used for daily cleaning of hard-finished floors.
- Polypropylene Brush: Standard equipment brush. Low cost, yet effective in cleaning many common floor surfaces.
- Stiff Nylon Brush: Cleaning action similar to polypropylene. More durable and wear-resistant than polypropylene.
- Soft Nylon Brush: Least aggressive brush available. Used on soft-finish floors where a more aggressive brush would leave scratch marks, or in applications requiring very light cleaning.

24" BRUSHES

56314389 - Soft Nylon
 56314390 - Hard Nylon
 56314391 - Prolene
 56314392 - 180 Grit
 56314393 - 80 Grit
 56314394 - 46 Grit

28" BRUSHES

56412191 - Soft Nylon
 56412192 - Hard Nylon
 56412046 - Prolene
 56412193 - 180 Grit
 56412194 - 80 Grit
 56412195 - 46 Grit

26" BRUSHES

56314383 - Soft Nylon
 56314384 - Hard Nylon
 56314385 - Prolene
 56314386 - 180 Grit
 56314387 - 80 Grit
 56314388 - 46 Grit

32" BRUSHES

56407473 - Soft Nylon
 56407474 - Hard Nylon
 56407475 - Prolene
 56407476 - 180 Grit
 56407477 - 80 Grit
 56407478 - 46 Grit

CYLINDRICAL BRUSH APPLICATION GUIDE (SUGGESTION ONLY)

| Application | 46 Grit | 80 Grit | 180 Grit | Polypro- pylene | Stiff Nylon | Soft Nylon |
|---------------------------|------------|------------|-------------|--------------------|----------------|---------------|
| Stripping: | | | | | | |
| Concrete | X | X | | | | |
| Terrazzo | X | X | | | | |
| Ceramic/Quarry tile | | X | | | | |
| Vinyl tile | | X | | | | |
| General Scrubbing: | | | | | | |
| Concrete | X | X | X | X | X | |
| Terrazzo | | | X | X | X | X |
| Ceramic/Quarry tile | | | X | X | X | X |
| Marble | | | X | | X | X |
| Vinyl tile | | | X | X | X | X |
| Raised-rubber tile | | | X | | | X |

| Item | Ref. No. | Qty | Description | Item | Ref. No. | Qty | Description |
|--|----------|-----|---|--|----------|-----|--|
| Optional Kits | | | | 24" Disk Deck Blade Kits (Before TSBUS2004-884) | | | |
| ** | 56314753 | 1 | Kit, On-Board Charger TSBUS2004-872 | ** | 56314124 | 1 | Kit, Gum Rubber 24 Disk NOTE #2 |
| ** | 56040787 | 1 | Instruction Sheet | ** | 56314170 | 1 | Kit, Neoprene 24 Disk NOTE #2 |
| ** | 56314301 | 1 | Kit, Seat Armrests | ** | 56314395 | 1 | Kit, Linatex 24 Disk NOTE #2 |
| ** | 56314302 | 1 | Kit, Warning Beacon | 26" Disk Deck Blade Kits (Before TSBUS2004-884) | | | |
| ** | 56040788 | 1 | Instruction Sheet | ** | 56314125 | 1 | Kit, Gum Rubber 26 Disk NOTE #2 |
| ** | 56314306 | 1 | Kit, Right Side Broom | ** | 56314171 | 1 | Kit, Neoprene 26 Disk NOTE #2 |
| ** | 56040789 | 1 | Instruction Sheet | ** | 56314396 | 1 | Kit, Linatex 26 Disk NOTE #2 |
| ** | 56314308 | 1 | Kit, Scrub-N-Vac Tool W/Pump | 28" Disk Deck Blade Kits (Before TSBUS2004-884) | | | |
| ** | 56040783 | 1 | Instruction Sheet | ** | 56314126 | 1 | Kit, Gum Rubber 28 Disk NOTE #2 |
| ** | 56412223 | 1 | Kit, Vacuum Wand Caddy | ** | 56314172 | 1 | Kit, Neoprene 28 Disk NOTE #2 |
| ** | 56040686 | 1 | Instruction Sheet | ** | 56314397 | 1 | Kit, Linatex 28 Disk NOTE #2 |
| ** | 56314312 | 1 | Kit, Seatbelt | 32" Disk Deck Blade Kits (Before TSBUS2004-884) | | | |
| ** | 56040846 | 1 | Instruction Sheet | ** | 56314127 | 1 | Kit, Gum Rubber 32 Disk NOTE #2 |
| ** | 56314313 | 1 | Kit, Headlight | ** | 56314173 | 1 | Kit, Neoprene 32 Disk NOTE #2 |
| ** | 56040791 | 1 | Instruction Sheet | ** | 56314398 | 1 | Kit, Linatex 32 Disk NOTE #2 |
| ** | 56314338 | 1 | Kit, Dual Vac Motor (Advance) | 24" Disk Deck Blade Kits (After TSBUS2004-884) | | | |
| ** | 56040792 | 1 | Instruction Sheet | ** | 56314911 | 1 | Kit, Gum Rubber 24 Disk NOTE 2 |
| ** | 56316186 | 1 | Kit, Dual Vac Motor (Nilfisk) | ** | 56314915 | 1 | Kit, Linatex 24 Disk NOTE 2 |
| ** | 56040892 | 1 | Instruction Sheet | 26" Disk Deck Blade Kits (After TSBUS2004-884) | | | |
| ** | 56397453 | 1 | Kit, Battery Fill Indicator | ** | 56314912 | 1 | Kit, Gum Rubber 26 Disk NOTE 2 |
| ** | 56314981 | 1 | Kit, Battery Watering | ** | 56314916 | 1 | Kit, Linatex 26 Disk NOTE 2 |
| ** | 56040853 | 1 | Instruction Sheet | 28" Disk Deck Blade Kits (After TSBUS2004-884) | | | |
| ** | 56314474 | 1 | Kit, Deck 2400D (56040794) | ** | 56314913 | 1 | Kit, Gum Rubber 28 Disk NOTE 2 |
| ** | 56314475 | 1 | Kit, Deck 2400C (56040794) | ** | 56314917 | 1 | Kit, Linatex 28 Disk NOTE 2 |
| ** | 56314476 | 1 | Kit, Deck 2600D (56040794) | 32" Disk Deck Blade Kits (After TSBUS2004-884) | | | |
| ** | 56314477 | 1 | Kit, Deck 2600C (56040794) | ** | 56314914 | 1 | Kit, Gum Rubber 32 Disk NOTE 2 |
| ** | 56314478 | 1 | Kit, Deck 2810D (56040794) | ** | 56314918 | 1 | Kit, Linatex 32 Disk NOTE 2 |
| ** | 56314479 | 1 | Kit, Deck 2810C (56040794) | Optional Batteries | | | |
| ** | 56314717 | 1 | Kit, Deck 3210D (56040794) | ** | 56391391 | 6 | Battery, 6V, 305A/H |
| ** | 56314481 | 1 | Kit, Deck 3210C (56040794) | ** | 56206079 | 6 | Battery, 6V, 235A/H |
| ** | 56316520 | 1 | Kit, Deck BR 600S (56040794) | Optional Battery Chargers | | | |
| ** | 56316521 | 1 | Kit, Deck BR 600SC (56040794) | ** | 56395101 | A/R | Battery Charger, 36VDC, Auto, 20Amp, 120VAC/60HZ |
| ** | 56316522 | 1 | Kit, Deck BR 700S (56040794) | ** | 56388502 | A/R | Battery Charger, 36VDC, Auto, 25Amp, 120VAC/60HZ |
| ** | 56316523 | 1 | Kit, Deck BR 700SC (56040794) | ** | 56388120 | A/R | Battery Charger, 36VDC, Auto, 36Amp, 120VAC/60HZ |
| Replacement parts for the kits listed above can be found on each kit's associated instruction sheet. | | | | ** | 56372190 | A/R | Battery Charger, 36VDC, 20Amp, 230VAC/50HZ |
| 24" Squeegee Blade Kits | | | | ** | 56388119 | A/R | Battery Charger, 36VDC, 36Amp, 230VAC/50HZ |
| ** | 56314054 | 1 | Kit, Standard Squeegee Blade NOTE #1 | Accessories | | | |
| ** | 56314055 | 1 | Kit, Linatex Squeegee Blade NOTE #1 | ** | 56409441 | A/R | Programmer, 1311 User |
| ** | 56314056 | 1 | Kit, Neoprene Squeegee Blade NOTE #1 | ** | 56409823 | A/R | Programmer Cable |
| 26" & 28" Squeegee Blade Kits | | | | ** = Optional, Not Included | | | |
| ** | 56314303 | 1 | Kit, Standard Squeegee Blade NOTE #1 | | | | |
| ** | 56314304 | 1 | Kit, Linatex Squeegee Blade NOTE #1 | | | | |
| ** | 56314305 | 1 | Kit, Neoprene Squeegee Blade NOTE #1 | | | | |
| 32" Squeegee Blade Kits | | | | | | | |
| ** | 56314060 | 1 | Kit, Standard Squeegee Blade NOTE #1 | | | | |
| ** | 56314061 | 1 | Kit, Linatex Squeegee Blade NOTE #1 | | | | |
| ** | 56314062 | 1 | Kit, Neoprene Squeegee Blade NOTE #1 | | | | |

NOTE #1: All squeegee blade kits include both front and rear squeegee blades.

NOTE #2: Disk Deck Blade Kits include required mounting fasteners (Rivet, Nylon Tree Push-In 56003263), the 2 blades (forward and rear) for the deck and all skirt assembly blades.

