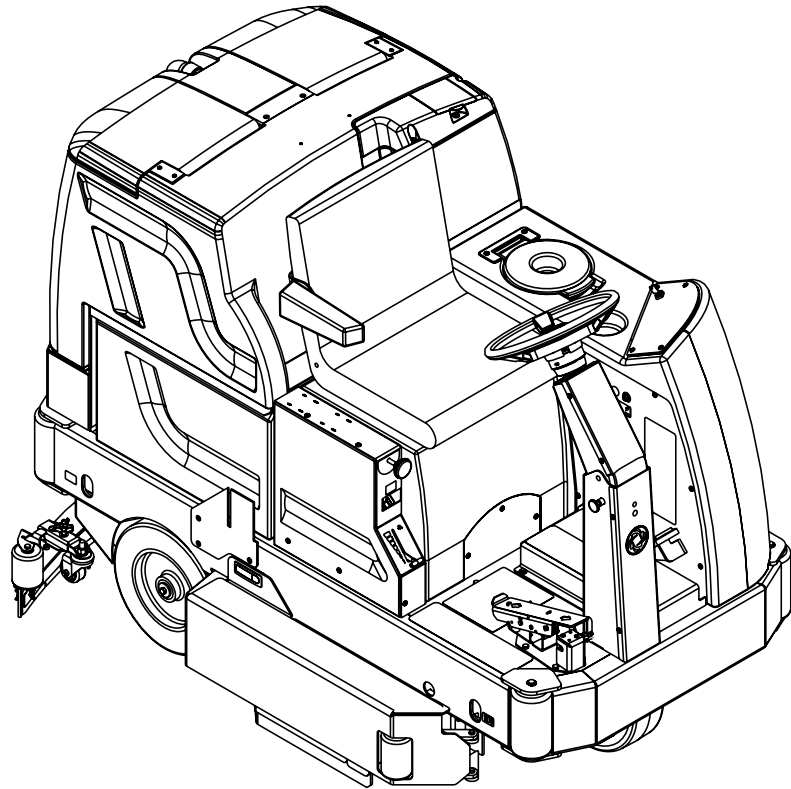


# Hydro-Retriever™ 3800, 2042

---

## BR 1100, 1100C, 1100C-XL



### **PARTS LIST**

Advance MODELS 56410000(disc), 56410350(cyl.), 56410001(2042)  
56410500(battery rollout / cyl.)  
56410501(battery rollout / disc)  
56410502(battery rollout / 2042)  
Nilfisk MODELS 56410002(disc), 56410351(cyl.), 56410425 (1100C-XL)  
56307200(Haram BR 1100)



**Nilfisk  
Advance**  
*setting standards*

7/00 revised 8/05 FORM NO. 56042410  
BOOK E SECTION 8.6.1

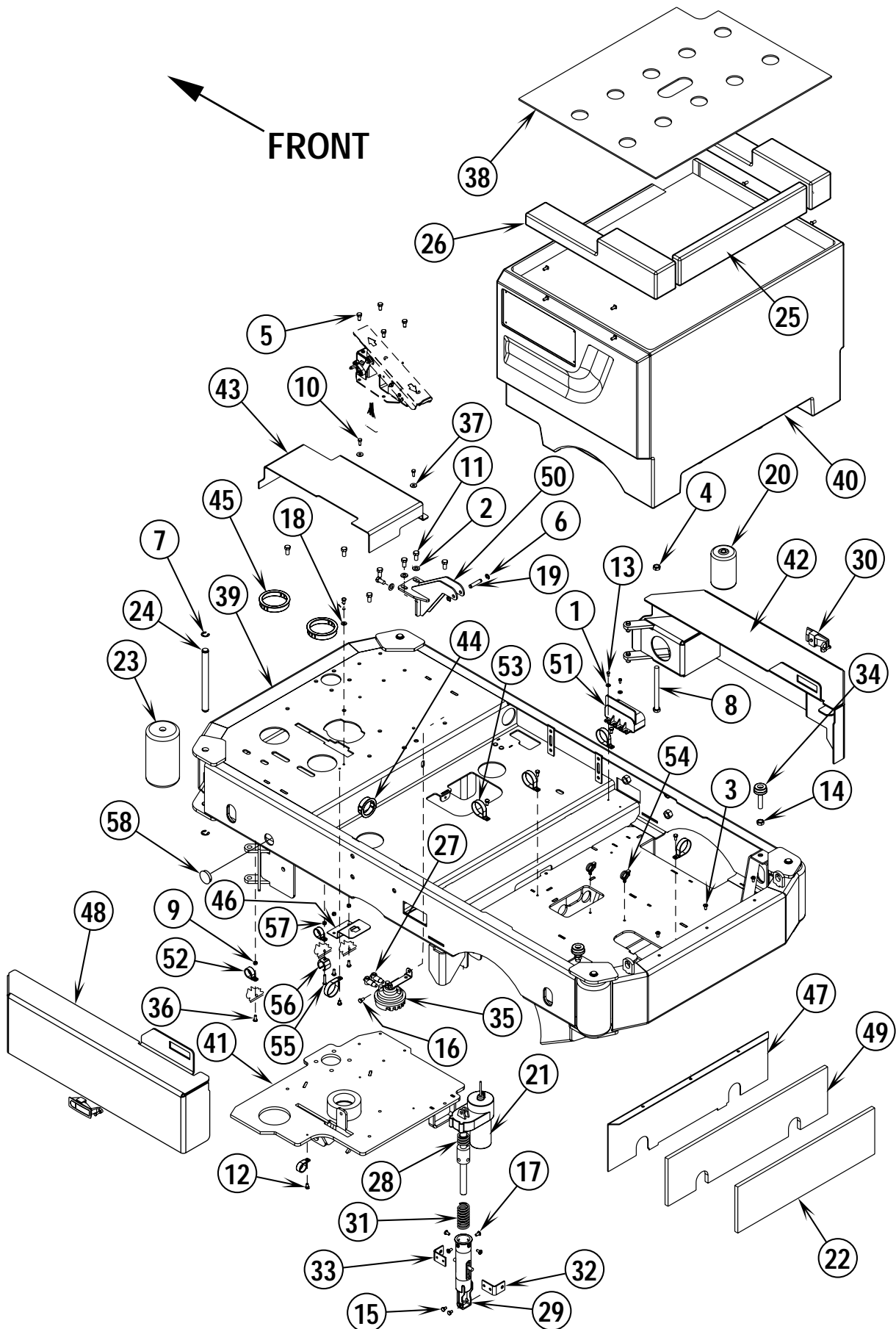


| <b>DESCRIPTION</b>                                      | <b>PAGE</b> |
|---|-------------|
| Chassis System-1 .....                                  | E-8.6.1-3   |
| Chassis System-2 (Battery Rollout / Advance only) ..... | E-8.6.1-5   |
| Control System .....                                    | E-8.6.1-7   |
| Steering Assembly .....                                 | E-8.6.1-9   |
| Front Wheel System .....                                | E-8.6.1-11  |
| Scrub System (Disc) .....                               | E-8.6.1-13  |
| Scrub System Skirt Assemblies (Disc) .....              | E-8.6.1-15  |
| Scrub System (Cylindrical) .....                        | E-8.6.1-17  |
| Scrub System Skirt Assemblies (Cyl.) .....              | E-8.6.1-19  |
| Solution System .....                                   | E-8.6.1-21  |
| Recovery System .....                                   | E-8.6.1-23  |
| Squeegee System .....                                   | E-8.6.1-25  |
| Squeegee Assembly .....                                 | E-8.6.1-27  |
| Rear Wheel System .....                                 | E-8.6.1-29  |
| Decal System .....                                      | E-8.6.1-31  |
| Control Box .....                                       | E-8.6.1-33  |
| Electrical System .....                                 | E-8.6.1-35  |
| Wiring Diagram (3800 / BR 1100) .....                   | E-8.6.1-37  |
| Wiring Diagram (2042 / 1100C-XL) .....                  | E-8.6.1-39  |
| Sweep System (2042 / 1100C-XL) .....                    | E-8.6.1-41  |
| Side Broom Assemblies (2042 / 1100C-XL) .....           | E-8.6.1-43  |
| Extended Scrub Kit .....                                | E-8.6.1-45  |
| Presweep Kit (Broom Housing) .....                      | E-8.6.1-47  |
| Presweep Kit (Frame & Hopper) .....                     | E-8.6.1-49  |
| Presweep Kit (Side Broom) .....                         | E-8.6.1-51  |
| Presweep Kit (Dust Control) .....                       | E-8.6.1-53  |
| Dual Vacuum Motor Kit .....                             | E-8.6.1-55  |
| Headlight / Beacon / Backup Alarm Kits .....            | E-8.6.1-57  |
| Lifting Sling / Overhead Guard Kits .....               | E-8.6.1-59  |
| Vacuum Wand Caddy Kit .....                             | E-8.6.1-61  |
| Rollout Battery Box Kit (Advance Models Only) .....     | E-8.6.1-63  |
| Optional Kits .....                                     | E-8.6.1-64  |
| Brush Selector Guide (Disc) .....                       | E-8.6.1-65  |
| Brush Selector Guide (Cylindrical) .....                | E-8.6.1-66  |

### WHEN ORDERING PARTS

- \* Use the 8 digit numbers from the "Ref. No." columns in this parts list.
- \* Specify the model and serial number of the machine.
- \* Use the space below to record the model and serial number for future reference.

Model \_\_\_\_\_ Serial No. \_\_\_\_\_

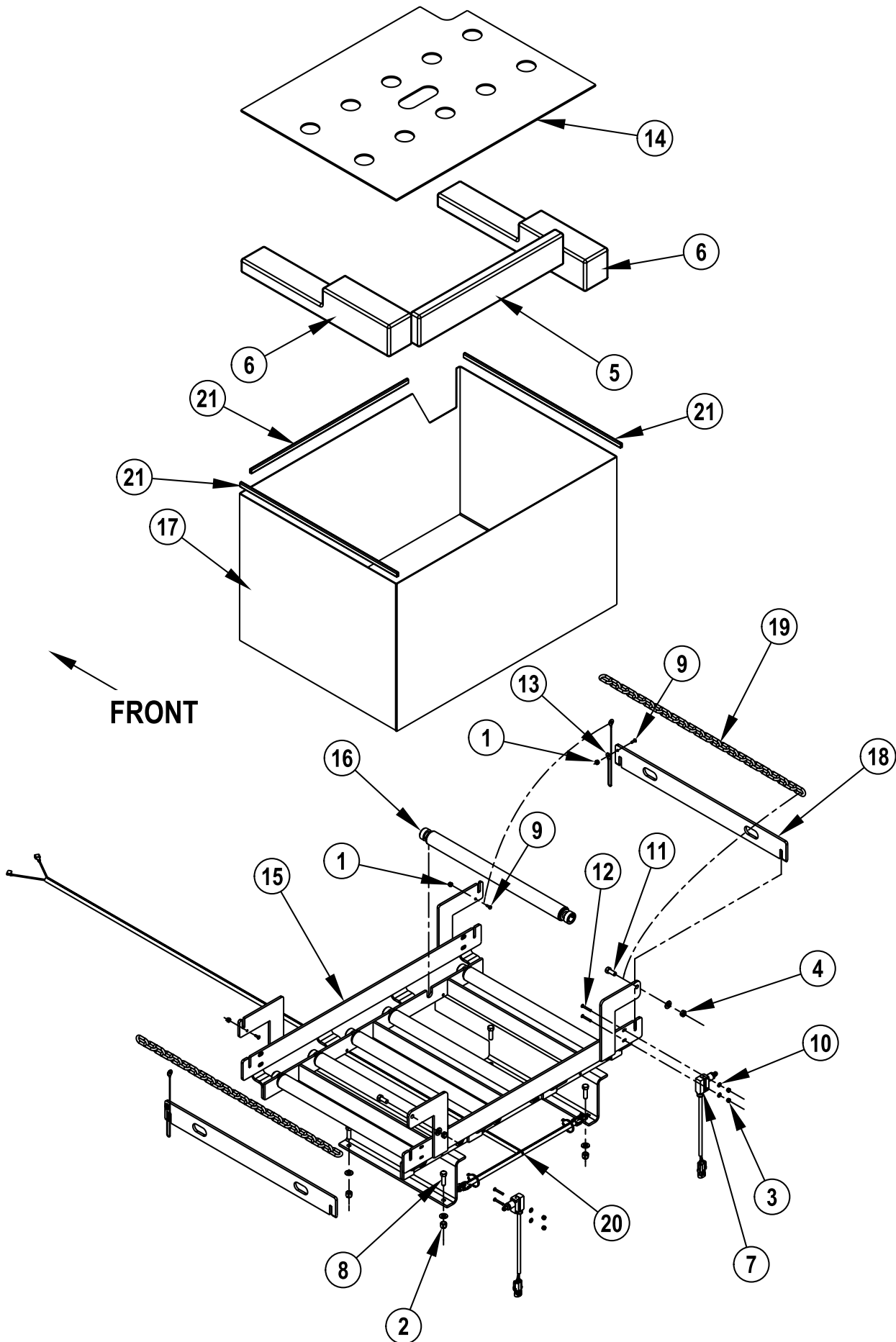


|      |   |               |              |          |
|------|---|---------------|--------------|----------|
| 00-7 | <b>CHASSIS SYSTEM</b>   | <b>BOOK E</b> |              |          |
| 04-2 | <b>Hydro-Retriever™ 3800, 2042 / BR 1100, 1100C, 1100C-XL</b> | <b>E</b>      | <b>8.6.1</b> | <b>3</b> |

| Item | Ref. No. | Qty | Description                              | Item | Ref. No. | Qty | Description  |
|------|----------|-----|--|------|----------|-----|--|
| 1    | 56001954 | 4   | Wsh, Flt SAE #10                         | 31   | 56420018 | 1   | Compression Spring                                     |
| 2    | 56002063 | 3   | Wsh, Flt SAE 3/8                         | 32   | 56420019 | 1   | Nut Retainer   |
| 3    | 56002145 | 3   | Scr, Pan Phil 1/4-20 x .50               | 33   | 56420020 | 1   | Nut Retainer   |
| 4    | 56002843 | 1   | Nut, Hex Nyl Loc-Thin 1/2-13             | 34   | 56449221 | 2   | Bumper, 1.43 Dia                                       |
| 5    | 56003178 | 4   | Scr, Hex M8-1.25 x 16MM                  | 35   | 56482365 | 1   | Horn 36V   |
| 6    | 56003262 | 2   | Ring, Ret Ext Type E 0.38 Dia            | 36   | 56003627 | 4   | Scr, Pan Phil M6-1.00 x 16MM                           |
| 7    | 56003266 | 8   | Ring, Ret Ext Type E 0.75 Dia            | 37   | 56003638 | 2   | Wsh, Flt SS 6mm  |
| 8    | 56003291 | 1   | 1/2-13 x 6 Bolt                          | 38   | 56409345 | 1   | Cover, Battery   |
| 9    | 56003403 | 3   | Nut, Hex Nyl Loc M6-1.00                 | 39   | 56409930 | 1   | Chassis Weldment                                       |
| 10   | 56003431 | 2   | Scr, Hex Hd SS M6-1.0 x 16MM             | 40   | 56409949 | 1   | Battery Compartment <b>(NOTE #1)</b>                   |
| 11   | 56003442 | 5   | Scr, Hex Nyl Loc M10-1.5 x 20MM          | 41   | 56409979 | 1   | Housing Weldment                                       |
| 12   | 56003498 | 1   | Scr, Hex Hd SS M6-1.0 x 10MM             | 42   | 56410010 | 1   | Skirt Right, Weldment <b>(3800 / BR 1100)</b>          |
| 13   | 56009039 | 4   | Scr, Hex Thd Form 10-24 x .50            |      | 56410286 | 1   | Skirt Right, Weldment <b>(2042 / BR 1100C-XL)</b>      |
| 14   | 56009016 | 2   | Nut, Hex Jam 1/2-13                      | 43   | 56410043 | 1   | Floor, False   |
| 15   | 56009019 | 3   | Scr, Hex Thd Form 1/4-20 x .38           | 44   | 56410053 | 1   | Snap Bushing, Plastic 2.25                             |
| 16   | 56009033 | 6   | Scr, Hex Thd Form 1/4-20 x .50           | 45   | 56410054 | 2   | Snap Bushing, Plastic 3.50                             |
| 17   | 56009062 | 4   | Scr, Pan Phil Thd Form 1/4-20 x .50      | 46   | 56410055 | 1   | Bracket, Plug Presweep                                 |
| 18   | 56009064 | 1   | Wsh, Int SHPRF 1/4                       | 47   | 56410083 | 1   | Vacuum Baffle  |
| 19   | 56104760 | 1   | Pin                                      | 48   | 56410106 | 1   | Skirt Left, Weldment <b>(3800 / BR 1100)</b>           |
| 20   | 56392102 | 1   | Roller                                   |      | 56410280 | 1   | Skirt Left, Weldment <b>(2042 / BR 1100C-XL)</b>       |
| 21   | 56393303 | 1   | Actuator, Motor                          | 49   | 56410127 | 1   | Foam, Acoustical                                       |
| *    | 56393790 | 1   | Replacement Limit Switch<br>(2 Required) | 50   | 56410152 | 1   | Actuator Mount Weldment                                |
| *    | 56470433 | 1   | Carbon Brush Kit                         | 51   | 56410163 | 2   | Cover, Latch   |
| *    | 56388520 | 1   | Plastic Drive Nut                        | 52   | 56410223 | 3   | Clamp, P   |
| 22   | 56409166 | 1   | Foam, Acoustical                         | 53   | 56410225 | 5   | Clamp, P   |
| 23   | 56409335 | 4   | Bumper                                   | 54   | 56410247 | 2   | Clip, Conduit  |
| 24   | 56409336 | 4   | Pin                                      | 55   | 56002674 | 1   | Scr, Pan Phil 10-24 x 1.00 <b>(2042 / BR 1100C-XL)</b> |
| 25   | 56409498 | 1   | Spacer, Battery                          | 56   | 56410344 | 1   | Clip <b>(2042 / BR 1100C-XL)</b>                       |
| 26   | 56409499 | 2   | Spacer, Battery                          | 57   | 56002768 | 1   | Nut, Hex Nyl Loc 10-24 <b>(2042 / BR 1100C-XL)</b>     |
| 27   | 56409538 | 2   | Insulator, Terminal                      | 58   | 56744814 | 2   | Plug, Cap  |
| 28   | 56412071 | 1   | Compression Spring                       | *    | 56409067 | 2   | Strap, Lift <b>(BR 1100 only)</b>                      |
| 29   | 56412262 | 1   | Housing, Spring <b>TSB 811</b>           |      |          |     |  |
| 30   | 56418471 | 2   | Door Latch                               |      |          |     |  |

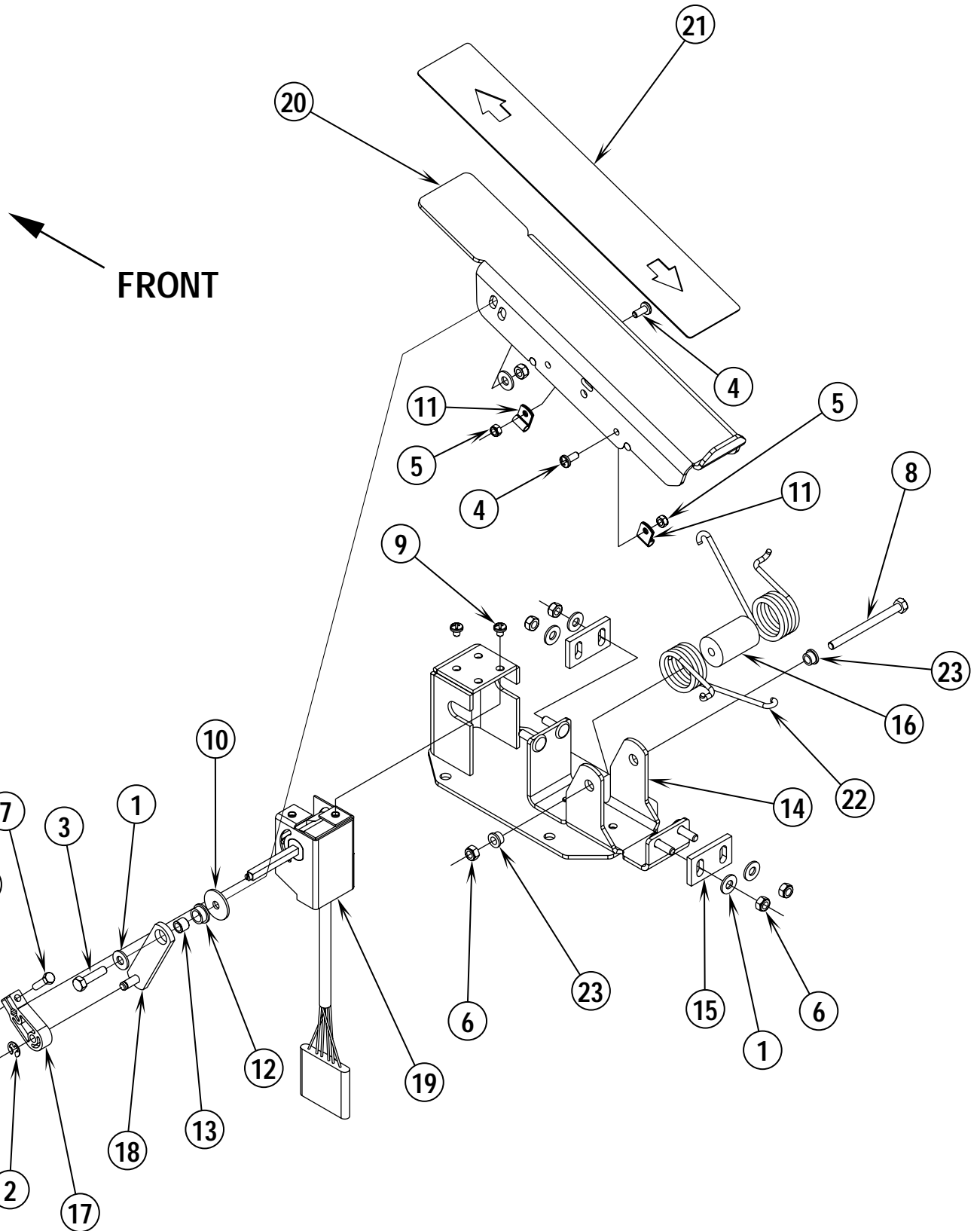
\* = Not Shown

**NOTE #1:** Battery Compartment PN56409949 is used on non battery rollout and Nilfisk models only.



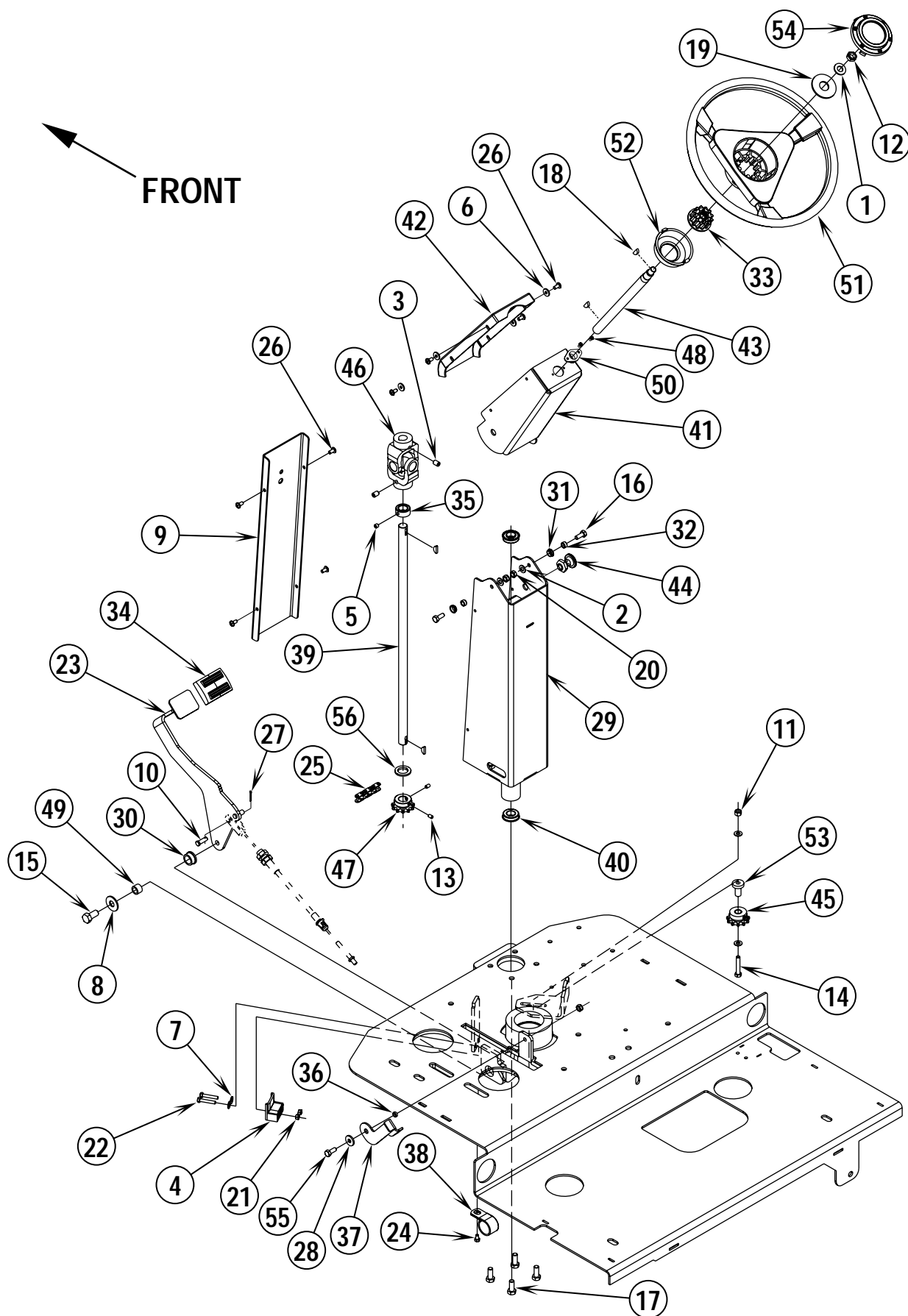
|      |   |               |              |          |
|------|---|---------------|--------------|----------|
| 00-7 | <b>CHASSIS SYSTEM-2 (BATTERY ROLLOUT)</b>                     | <b>BOOK E</b> |              |          |
| 04-5 | <b>Hydro-Retriever™ 3800, 2042 / BR 1100, 1100C, 1100C-XL</b> | <b>E</b>      | <b>8.6.1</b> | <b>5</b> |

| Item | Ref. No. | Qty | Description                 |
|------|----------|-----|-----------------------------|
| 1    | 56002768 | 4   | Nut, Hex Nyl Loc 10-24      |
| 2    | 56002769 | 4   | Nut, Hex Nyl Loc 3/8-16     |
| 3    | 56002808 | 4   | Nut, Hex Nyl Loc 8-32       |
| 4    | 56002841 | 2   | Nut,Hex Nyl Loc-Thin 3/8-16 |
| 5    | 56409498 | 1   | Spacer, Battery             |
| 6    | 56409499 | 2   | Spacer, Battery             |
| 7    | 56459931 | 2   | Switch Assy. Spdt           |
| 8    | 56001858 | 4   | Scr,Hex Hd 3/8-16x1.25      |
| 9    | 56002003 | 4   | Scr,Pan Phil 8-32x.50       |
| 10   | 56002140 | 4   | Wsh, Flt Sae #8             |
| 11   | 56002271 | 2   | Scr,Hex Hd 3/8-16x.88       |
| 12   | 56003615 | 4   | Scr, Flt Phil 8-32x1.25     |
| 13   | 56056819 | 2   | Wire Rope                   |
| 14   | 56409345 | 1   | Cover, Battery              |
| 15   | 56410470 | 1   | Rollout Weld't              |
| 16   | 56410475 | 6   | Roller Assy                 |
| 17   | 56410478 | 1   | Battery Box, Weldt          |
| 18   | 56410482 | 2   | Roller Side Bar             |
| 19   | 56410496 | 2   | Chain                       |
| 20   | 56410497 | 1   | Harness, Interlock          |
| 21   | 56410506 | 3   | Trim, Edge                  |





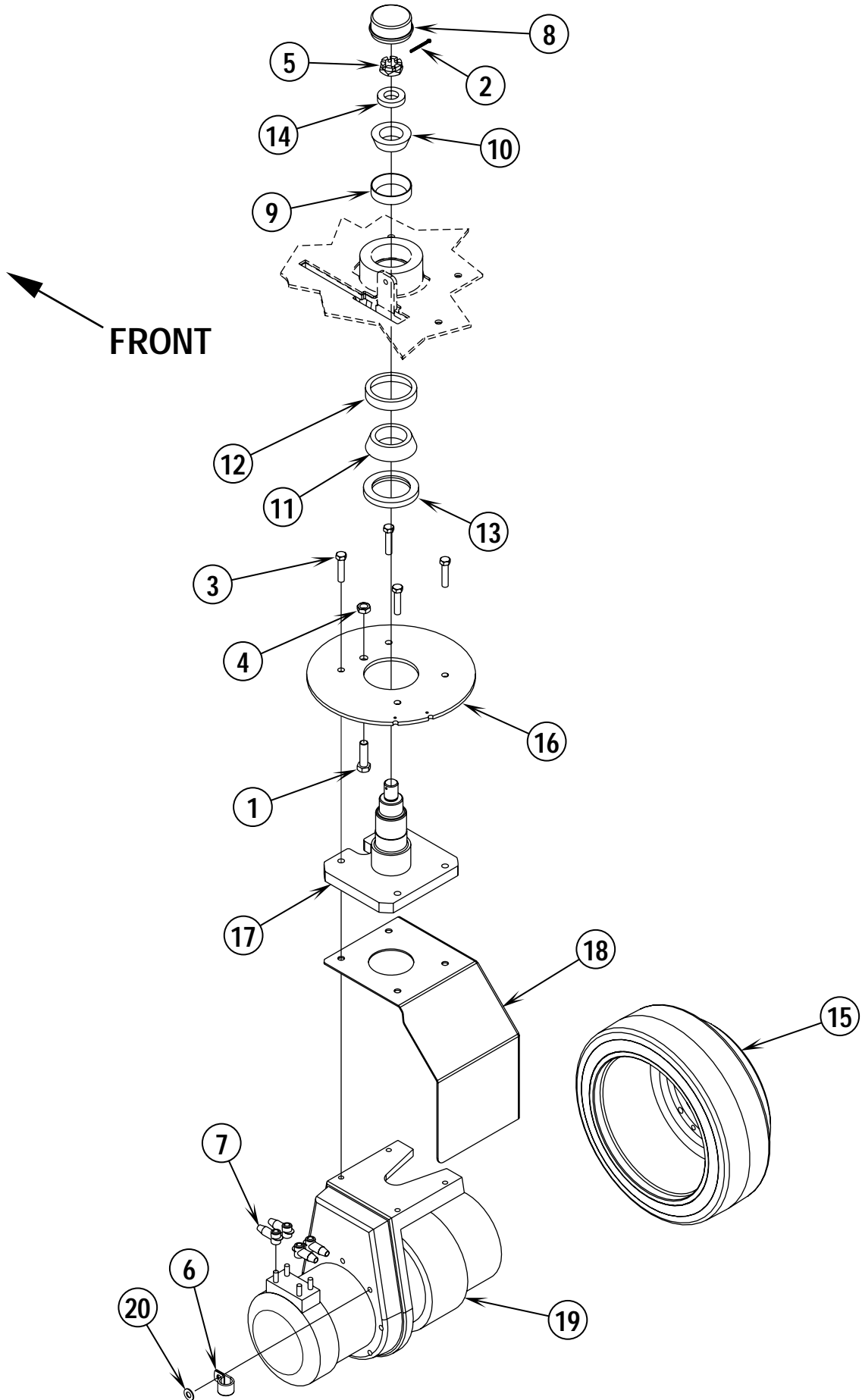
| Item | Ref. No. | Qty | Description                          |
|------|----------|-----|--------------------------------------|
| 1    | 56002098 | 6   | Wsh, Flt SAE 1/4                     |
| 2    | 56003268 | 1   | Ring, Ret Ect Type E Reinf. 0.25 Dia |
| 3    | 56003358 | 1   | Scr, Hex M6-1.0 x 25MM               |
| 4    | 56003377 | 2   | Scr, Pan Phil M5 x 12                |
| 5    | 56003402 | 3   | Nut, Hex Nyl Loc M5-0.80             |
| 6    | 56003403 | 6   | Nut, Hex Nyl Loc M6-1.00             |
| 7    | 56003427 | 1   | Scr, Hex M5-0.8 x 20MM               |
| 8    | 56003428 | 1   | Scr, Hex M6-1.0 x 75MM               |
| 9    | 56003479 | 2   | Scr, Pan Phil M5-0.80 x 6MM          |
| 10   | 56009060 | 1   | Wsh, Flt SS .260 x 1.00 x .074       |
| 11   | 56220507 | 2   | Clamp, P                             |
| 12   | 56324505 | 1   | Bearing, Flange                      |
| 13   | 56368989 | 1   | Bushing                              |
| 14   | 56407142 | 1   | Pedal Mount Weldment                 |
| 15   | 56409377 | 2   | Plate, Slide                         |
| 16   | 56409378 | 1   | Spacer, Nylon                        |
| 17   | 56409471 | 1   | Lever, Throttle                      |
| 18   | 56409610 | 1   | Link Weldment                        |
| 19   | 56416169 | 1   | Throttle, Electronic                 |
| 20   | 56420108 | 1   | Throttle Pedal Weldment              |
| 21   | 56449958 | 1   | Mat, Pedal                           |
| 22   | 56468243 | 2   | Spring, Idler                        |
| 23   | 56756318 | 2   | Bearing, Flange                      |



FRONT

|      |   |               |              |          |
|------|---|---------------|--------------|----------|
| 00-7 | <b>STEERING ASSEMBLY</b>                                      | <b>BOOK E</b> |              |          |
| 01-8 | <b>Hydro-Retriever™ 3800, 2042 / BR 1100, 1100C, 1100C-XL</b> | <b>E</b>      | <b>8.6.1</b> | <b>9</b> |

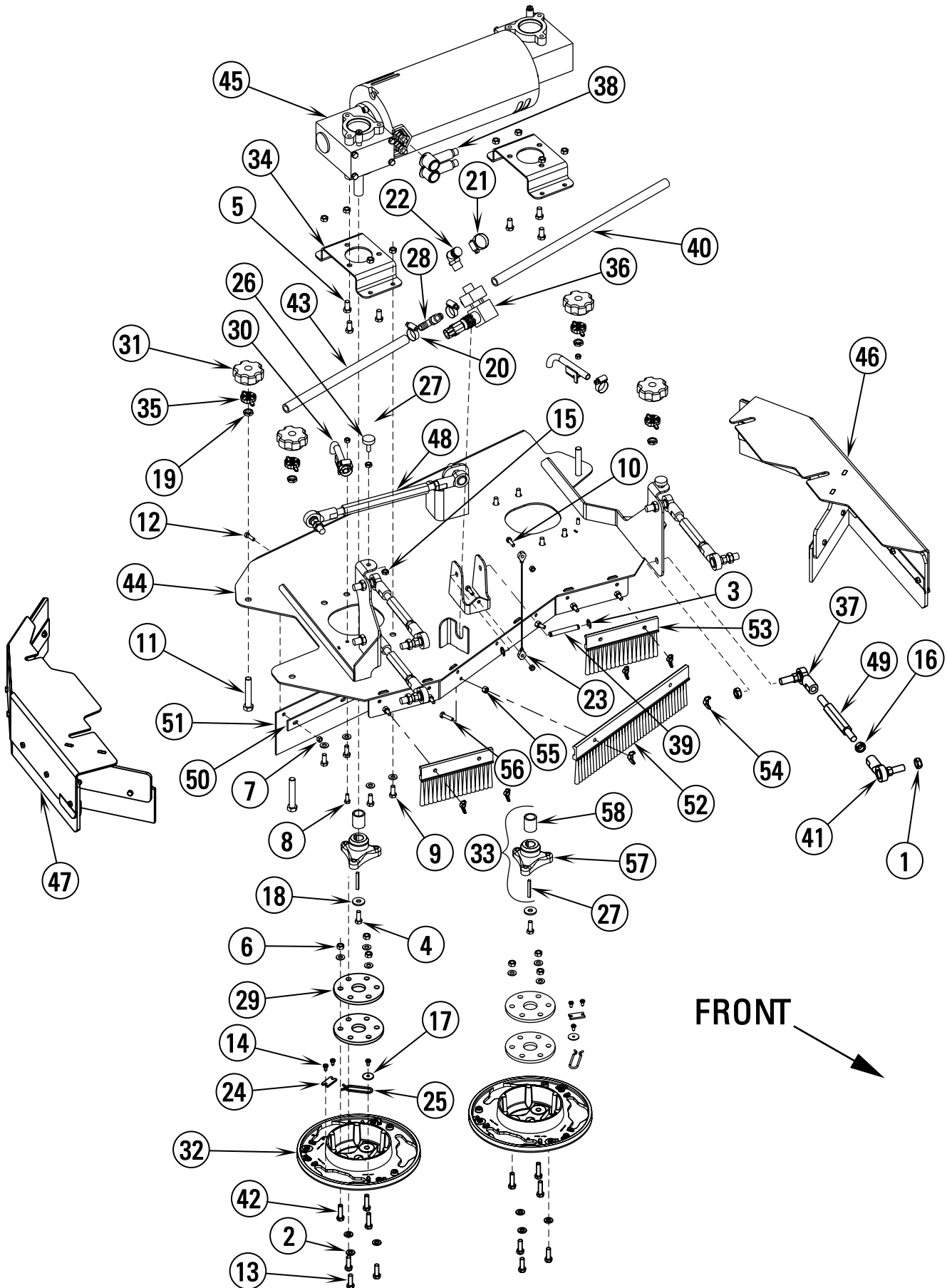
| Item | Ref. No. | Qty | Description                         |
|------|----------|-----|-------------------------------------|
| 1    | 56001879 | 1   | Wsh, Flt SAE 1/2                    |
| 2    | 56001939 | 4   | Wsh, Flt SAE 5/16                   |
| 3    | 56001958 | 2   | Scr, Soc Set Loc 3/8-16 x .50       |
| 4    | 56410167 | 1   | Block, Chain Support                |
| 5    | 56002086 | 1   | Scr, Soc Set Loc 5/16-18 x .25      |
| 6    | 56002098 | 4   | Wsh, Flt SAE 1/4                    |
| 7    | 56003638 | 2   | Wsh, Flt SS 6MM                     |
| 8    | 56002168 | 1   | Wsh, Flt Std 1/2                    |
| 9    | 56410149 | 1   | Cover, Lower Column                 |
| 10   | 56493030 | 1   | Pin                                 |
| 11   | 56002701 | 1   | Nut, Hex Nyl Loc 5/16-18            |
| 12   | 56002843 | 1   | Nut, Hex Nyl Loc-Thin 1/2-13        |
| 13   | 56002930 | 2   | Scr, Soc Set Loc 1/4-20 x .38       |
| 14   | 56003005 | 1   | Scr, Hex Hd 5/16-18 x 1.75          |
| 15   | 56003083 | 1   | Scr, Hex Hd Loc 1/2-13 x 1.00       |
| 16   | 56003179 | 2   | Scr Hex Thd to Hd M8-1.25 x 20MM    |
| 17   | 56003491 | 4   | Scr, Hex Thd to Hd M10-1.5 x 45MM   |
| 18   | 56003228 | 4   | Key, WDF .75 x .19                  |
| 19   | 56003342 | 1   | Washer Flt .88 x 2.25 x .13         |
| 20   | 56003389 | 3   | Nut, Hex Nyl Loc M8-1.25            |
| 21   | 56003403 | 2   | Nut, Hex Nyl Loc M6-1.00            |
| 22   | 56003420 | 2   | Scr, Hex M6-1.0 x 35MM              |
| 23   | 56410049 | 1   | Brake Pedal Weldment                |
| 24   | 56003498 | 1   | Scr, Hex Hd SS M6-1.0 x 10MM        |
| 25   | 56410004 | 1   | Chain, Roller                       |
| 26   | 56009062 | 8   | Scr, Pan Phil Thd Form 1/4-20 x .50 |
| 27   | 56002529 | 1   | Pin Cotter, 1/8 x 1                 |
| 28   | 56009122 | 1   | Wsh, Flt .344 x .938 x .125         |
| 29   | 56409977 | 1   | Lower Column Weldment               |
| 30   | 56250414 | 1   | Bearing, Flange                     |
| 31   | 56302164 | 2   | Bearing, Flange                     |
| 32   | 56320595 | 2   | Bushing .32 x .50 x .28             |
| 33   | 56497560 | 1   | Wheel Adapter                       |
| 34   | 56365002 | 1   | Pad, Rubber                         |
| 35   | 56367095 | 1   | Collar, Shaft                       |
| 36   | 56381818 | 1   | Bushing .32 x .44 x .15             |
| 37   | 56407173 | 1   | Latch, Park Brake                   |
| 38   | 56410223 | 1   | Clamp, P                            |
| 39   | 56409971 | 1   | Shaft, Lower Steering               |
| 40   | 56412161 | 2   | Bearing                             |
| 41   | 56412245 | 1   | Column, Steering                    |
| 42   | 56412246 | 1   | Cover, Upper Column                 |
| 43   | 56420059 | 1   | Shaft, Upper Steering               |
| 44   | 56420062 | 1   | Latch Assembly                      |
| 45   | 56454079 | 1   | Sprocket Assembly                   |
| 46   | 56454081 | 1   | Universal Joint                     |
| 47   | 56471148 | 1   | Sprocket                            |
| 48   | 56009051 | 2   | Scr, Pan Phil Thd Form 8-32 x .38   |
| 49   | 56491726 | 1   | Spacer                              |
| 50   | 56100393 | 1   | Bushing                             |
| 51   | 56497306 | 1   | Steering Wheel                      |
| 52   | 56497308 | 1   | Cup                                 |
| 53   | 56497311 | 1   | Bushing, Flanged                    |
| 54   | 56497543 | 1   | Cap                                 |
| 55   | 56003180 | 1   | Scr, Hex Thd To Hd M8-1.25 x 25mm   |
| 56   | 56009022 | 1   | Wsh, Flt .754 x 1.250 x .120        |



|       |   |               |              |           |
|-------|---|---------------|--------------|-----------|
| 00-7  | <b>FRONT WHEEL SYSTEM</b>                                     | <b>BOOK E</b> |              |           |
| 00-10 | <b>Hydro-Retriever™ 3800, 2042 / BR 1100, 1100C, 1100C-XL</b> | <b>E</b>      | <b>8.6.1</b> | <b>11</b> |

| Item | Ref. No. | Qty | Description                     |
|------|----------|-----|---------------------------------|
| 1    | 56001995 | 1   | Scr, Hex Hd 1/2-13 x 1.75       |
| 2    | 56002181 | 1   | Pin Cotter, 1/8 x 1-1/2         |
| 3    | 56003445 | 4   | Scr, Hex Nyl Loc M10-1.5 x 45MM |
| 4    | 56009016 | 1   | Nut, Hex Jam 1/2-13             |
| 5    | 56110817 | 1   | Nut, Castle 7/8-14              |
| 6    | 56496276 | 1   | Clamp, Hose Support             |
| 7    | 56409538 | 4   | Insulator, Terminal             |
| 8    | 56483135 | 1   | Cap, Grease                     |
| 9    | 56492697 | 1   | Bearing, Cup                    |
| 10   | 56492699 | 1   | Bearing, Cone                   |
| 11   | 56492700 | 1   | Bearing, Cone                   |
| 12   | 56492702 | 1   | Bearing, Cup                    |
| 13   | 56493191 | 1   | Seal, Radial Lip                |
| 14   | 56497241 | 1   | Bushing                         |
| 15   | 56410135 | 1   | Wheel, Drive                    |
| 16   | 56410006 | 1   | Plate, Steering                 |
| 17   | 56410102 | 1   | Spindle Weldment                |
| 18   | 56410103 | 1   | Splash Guard                    |
| 19   | 56410134 | 1   | Motor, Drive                    |
| *    | 56410175 | 1   | O Ring 2-256                    |
| *    | 56410176 | 1   | Oil Seal 120x 150x 12           |
| *    | 56410177 | 1   | Oil Seal                        |
| *    | 56410178 | 1   | O Ring 2-151                    |
| *    | 56410179 | 1   | O Ring 2-153                    |
| *    | 56410180 | 4   | Brush Spring                    |
| *    | 56410181 | 4   | Brush M19 6 x 28 x 30.5         |
| *    | 56410190 | 1   | Gearbox Complete                |
| *    | 56410191 | 1   | D.C. Motor, Complete            |
| 20   | 56002063 | 1   | Wsh, Flt SAE 3/8                |

\* = Not Shown



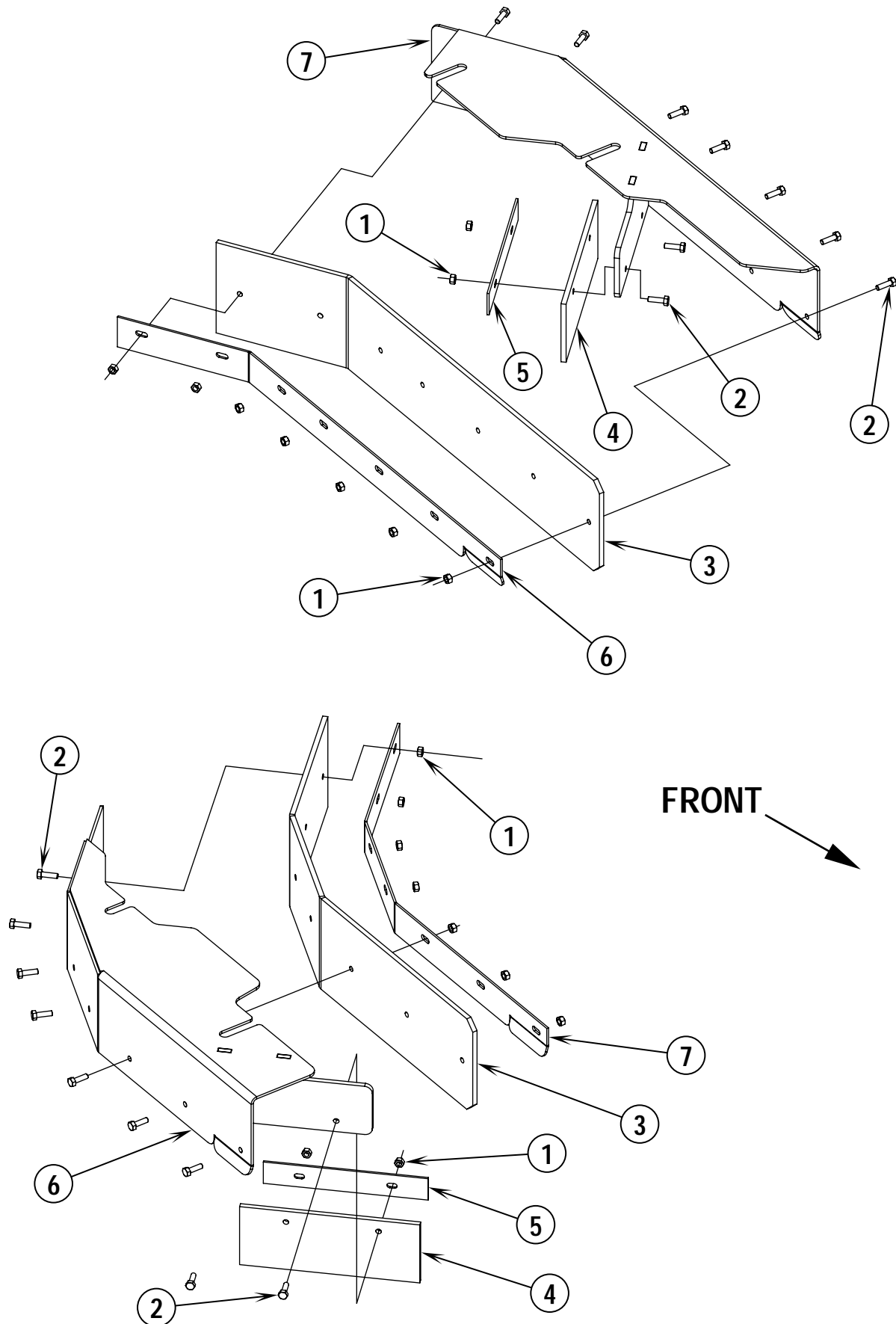
|      |   |               |              |           |
|------|---|---------------|--------------|-----------|
| 00-7 | <b>SCRUB SYSTEM (DISC)</b>                                    | <b>BOOK E</b> |              |           |
| 04-5 | <b>Hydro-Retriever™ 3800, 2042 / BR 1100, 1100C, 1100C-XL</b> | <b>E</b>      | <b>8.6.1</b> | <b>13</b> |

| Item | Ref. No. | Qty | Description                                  | Item | Ref. No. | Qty | Description   |
|------|----------|-----|--|------|----------|-----|---|
| 1    | 56002868 | 10  | Nut, Hex Nyl Loc-Thin 1/2-20                 | 56   | 56002883 | 6   | Scr, Hex Hd SS 1/4-20 x 1.00<br>(after SN150031)                      |
| 2    | 56002938 | 20  | Wsh, Flt SAE SS 5/16                         | 57   | 56314108 | 2   | Hub   |
| 3    | 56003264 | 2   | Ring, Ret Ext Type E 0.50 Dia                | 58   | 56314109 | 2   | Spacer  |
| 4    | 56003335 | 2   | Scr Hex Loc SS 5/16-18 x .88                 | *    | 56410130 | 1   | Blade, Front (before SN150032) TSB764                                 |
| 5    | 56002885 | 6   | Scr Hex SS 3/8-16 x .75 <b>NOTE #1</b>       | *    | 56410132 | 1   | Strap, Front (before SN150032) TSB764                                 |
| 6    | 56003405 | 14  | Nut, Hex Nyl Loc SS M8 x 1.25                | **   | 56410187 | A/R | Standard Disk Deck Blade Kit <b>NOTE #2</b><br>(before SN150032)      |
| 7    | 56003426 | 10  | Nut, Hex Nyl Loc SS M6 x 1.0                 | **   | 56410188 | A/R | Oil Resistant Disk Deck Blade Kit <b>NOTE #2</b><br>(before SN150032) |
| 8    | 56003431 | 2   | Scr, Hex Hd SS M6-1.0 x 16MM                 | **   | 56410235 | A/R | Linatex Disk Deck Blade Kit <b>NOTE #2</b><br>(before SN150032)       |
| 9    | 56003435 | 8   | Scr, Hex Hd SS 8-1.25 x 20MM                 | **   | 56410430 | A/R | Standard Disk Deck Blade Kit <b>NOTE #2</b><br>(after SN150031)       |
| 10   | 56003443 | 2   | Scr, Hex Hd SS M6-1.00 x 20MM                | **   | 56410431 | A/R | Linatex Disk Deck Blade Kit <b>NOTE #2</b><br>(after SN150031)        |
| 11   | 56003448 | 4   | Scr Hex Thd to Hd M12-1.75 x 70MM            | **   | 56505796 | 2   | Union Mix Brush   |
| 12   | 56003454 | 6   | Scr Hex Thd to Hd SS M6-1.0 x 20MM           | **   | 56505794 | 2   | Prolene Brush   |
| 13   | 56003477 | 6   | Scr, Hex Loc SS M8-1 x 25MM                  | **   | 56505792 | 2   | Dyna Grit 80 Brush  |
| 14   | 56009030 | 6   | Scr, Pan Phil Thd Form 10-24 x .38           | **   | 56505797 | 2   | MidGrit 240 Brush   |
| 15   | 56009086 | 4   | Nut, Hex Jam 5/16-18                         | **   | 56505795 | 2   | ProLite Brush   |
| 16   | 56009089 | 5   | Nut, Hex Jam 1/2-20                          | **   | 56505791 | 2   | Magna Grit 46 Brush   |
| 17   | 56009096 | 2   | Wsh, Flt .193 x .875 x .060                  | **   | 56505798 | 2   | MidLite Grit 180 Brush  |
| 18   | 56009107 | 2   | Wsh, Flt SS .378 x 1.000 x .120              | **   | 56505793 | 2   | AgLite Grit 500 Brush   |
| 19   | 56009258 | 4   | Nut Hex Jam M12-1.75                         | **   | 56400758 | 2   | Butcher Wire Brush  |
| 20   | 56219932 | 4   | Clamp, Hose SAE #6                           | **   | 56505790 | 2   | Short Trim Pad Holder   |
| 21   | 56244969 | 1   | Clamp, Hose SAE #12                          |      |          |     |   |
| 22   | 56264442 | 1   | Barb, 90 Elbow 3/4 x 3/8 NPT                 |      |          |     |   |
| 23   | 56325240 | 1   | Wire Rope, 10 Inch                           |      |          |     |   |
| 24   | 56366455 | 2   | Plate, Stop                                  |      |          |     |   |
| 25   | 56366463 | 2   | Spring Retainer                              |      |          |     |   |
| 26   | 56401783 | 2   | Leveler                                      |      |          |     |   |
| 27   | 56003670 | 2   | Key, Sq .19 x 1.62                           |      |          |     |   |
| 28   | 56407012 | 1   | Tee, 3/8NPT x 1/2 x 1/2 Barb                 |      |          |     |   |
| 29   | 56407053 | 4   | Thermoid Disk                                |      |          |     |   |
| 30   | 56407055 | 2   | Tube Weldment                                |      |          |     |   |
| 31   | 56407114 | 4   | Knob   |      |          |     |   |
| 32   | 56314030 | 2   | Brush Holder                                 |      |          |     |   |
| 33   | 56314156 | 2   | Kit, Hub Replacement (items 27, 57, 58)      |      |          |     |   |
| 34   | 56407198 | 2   | Mount Bracket                                |      |          |     |   |
| 35   | 56407334 | 4   | Knob   |      |          |     |   |
| 36   | 56409154 | 1   | Valve, Solenoid                              |      |          |     |   |
| 37   | 56409405 | 5   | Ball Joint                                   |      |          |     |   |
| 38   | 56493357 | 2   | Insulator, Terminal                          |      |          |     |   |
| 39   | 56412088 | 1   | Pin  |      |          |     |   |
| 40   | 56412277 | 1   | Solution Hose                                |      |          |     |   |
| 41   | 56477813 | 5   | Ball Joint                                   |      |          |     |   |
| 42   | 56003639 | 6   | Scr, Hex Hd SS M8-1.25 x 30MM                |      |          |     |   |
| 43   | 56264318 | 1   | Hose, Spiral .500                            |      |          |     |   |
| 44   | 56409900 | 1   | Deck Weldment                                |      |          |     |   |
| 45   | 56409902 | 1   | Gearbox Assy <b>TSBUS2002-831</b>            |      |          |     |   |
| *    | 56407196 | 2   | Gearbox                                      |      |          |     |   |
| *    | 56409912 | 1   | Motor 36 VDC, 3HP                            |      |          |     |   |
| *    | 56410182 | 1   | Bearing B.E.                                 |      |          |     |   |
| *    | 56410183 | 1   | Bearing F.E.                                 |      |          |     |   |
| *    | 56410184 | 1   | Brush Board Assy (W/brushes & springs)       |      |          |     |   |
| *    | 56410185 | 4   | Brush Spring Set                             |      |          |     |   |
| *    | 56410186 | 4   | Brush Assembly                               |      |          |     |   |
| 46   | 56409903 | 1   | Left Skirt Assembly (see associated pages)   |      |          |     |   |
| 47   | 56409913 | 1   | Right Skirt Assembly (see associated pages)  |      |          |     |   |
| 48   | 56409994 | 1   | Connecting Rod                               |      |          |     |   |
| 49   | 56409995 | 4   | Connecting Rod                               |      |          |     |   |
| 50   | 56410108 | 1   | Strap, Blade                                 |      |          |     |   |
| 51   | 56410109 | 1   | Blade, Rear                                  |      |          |     |   |
| 52   | 56410261 | 1   | Skirt, Bristle Long (after SN150031) TSB764  |      |          |     |   |
| 53   | 56410260 | 2   | Skirt, Bristle Short (after SN150031) TSB764 |      |          |     |   |
| 54   | 56003089 | 6   | Nut, Wing Loc 1/4-20 (after SN150031)        |      |          |     |   |
| 55   | 56002491 | 6   | Nut, Hex Nyl Loc SS 1/4-20 (after SN150031)  |      |          |     |   |

\* = Not Shown  
\*\* = Optional

**NOTE #1:** Apply Loctite #242 prior to assembly.

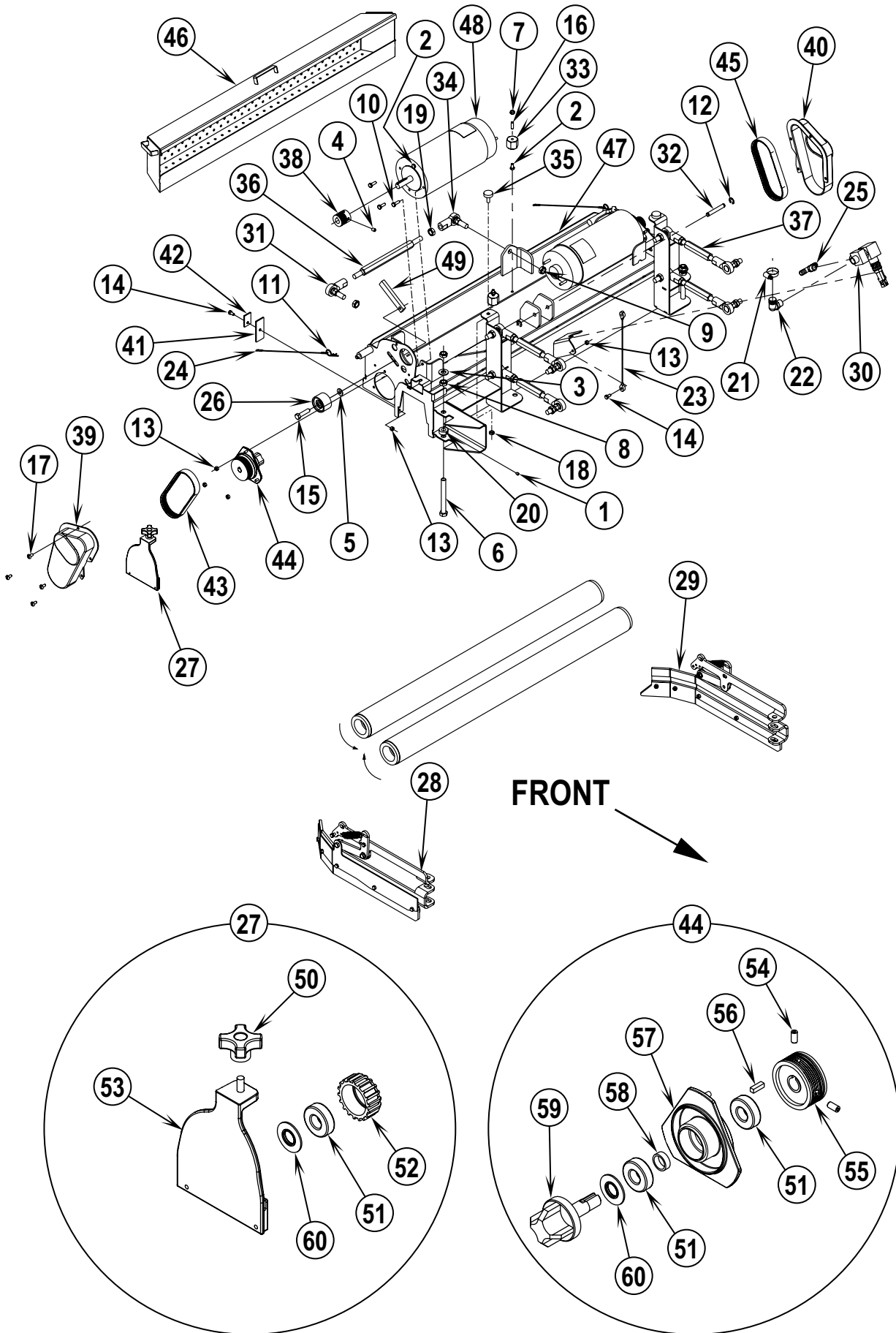
**NOTE #2:** All Deck Blade Kits include both deck and skirt assembly blades.





|      |   |               |              |           |
|------|---|---------------|--------------|-----------|
| 00-7 | <b>SCRUB SYSTEM SKIRT ASSEMBLIES (DISC)</b>                   | <b>BOOK E</b> |              |           |
| 02-4 | <b>Hydro-Retriever™ 3800, 2042 / BR 1100, 1100C, 1100C-XL</b> | <b>E</b>      | <b>8.6.1</b> | <b>15</b> |

| Item | Ref. No. | Qty | Description                        |
|------|----------|-----|------------------------------------|
|      | 56409903 |     | <b>Left Skirt Assembly</b>         |
| 1    | 56003426 | 9   | Nut, Hex Nyl Loc SS M6 x 1.0       |
| 2    | 56003454 | 9   | Scr Hex Thd to Hd SS M6-1.0 x 20MM |
| 3    | 56407122 | 1   | Blade                              |
| 4    | 56407184 | 1   | Blade                              |
| 5    | 56407185 | 1   | Strap                              |
| 6    | 56409905 | 1   | Strap, Left                        |
| 7    | 56409906 | 1   | Skirt Weldment Left                |
|      | 56409913 |     | <b>Right Skirt Assembly</b>        |
| 1    | 56003426 | 9   | Nut, Hex Nyl Loc SS M6 x 1.0       |
| 2    | 56003454 | 9   | Scr Hex Thd to Hd SS M6-1.0 x 20MM |
| 3    | 56407122 | 1   | Blade                              |
| 4    | 56407184 | 1   | Blade                              |
| 5    | 56407185 | 1   | Strap                              |
| 6    | 56409987 | 1   | Skirt Weldment Right               |
| 7    | 56410164 | 1   | Strap, Right                       |



|      |   |               |              |           |
|------|---|---------------|--------------|-----------|
| 00-7 | <b>SCRUB SYSTEM (CYLINDRICAL)</b>                             | <b>BOOK E</b> |              |           |
| 05-8 | <b>Hydro-Retriever™ 3800, 2042 / BR 1100, 1100C, 1100C-XL</b> | <b>E</b>      | <b>8.6.1</b> | <b>17</b> |

| Item | Ref. No. | Qty | Description                                     | Item | Ref. No. | Qty | Description                                   |
|------|----------|-----|---|------|----------|-----|---|
| 1    | 56001841 | 2   | Scr, Soc Set Loc 1/4-20 x .25                   | 43   | 56410215 | 1   | Belt, Poly-V 190J8                            |
| 2    | 56001854 | 4   | Scr, Hex Hd 1/4-20 x .50                        | 44   | 56397445 | 2   | Drive End Assy (#54-60)<br>(TSBUS2002-821)    |
| 3    | 56001879 | 2   | Wsh, Flt SAE 1/2                                |      |          |     |   |
| 4    | 56002021 | 4   | Scr, Soc Set Loc 5/16-18 x .38                  | 45   | 56410217 | 1   | Belt, Poly-V 180J8                            |
| 5    | 56002063 | 2   | Wsh, Flt SAE 3/8                                | 46   | 56410274 | 1   | Hopper Weld't (3800 / BR 1100)                |
| 6    | 56002484 | 2   | Scr, Hex Hd 1/2-13 x 4.50                       |      | 56409927 | 1   | Hopper Weld't (2042 / BR 1100C-XL)            |
| 7    | 56002708 | 2   | Nut, Hex Nyl Loc 1/4-20                         | 47   | 56410277 | 1   | Brush Housing Weld't (3800 / BR 1100)         |
| 8    | 56002843 | 4   | Nut, Hex Nyl Loc-Thin 1/2-13                    |      | 56409923 | 1   | Brush Housing Weld't (2042 / BR 1100C-XL)     |
| 9    | 56002868 | 10  | Nut, Hex Nyl Loc-Thin 1/2-20                    | 48   | 56410359 | 2   | Motor, 36VDC, 1HP                             |
| 10   | 56002948 | 6   | Scr, Hex Hd Loc 1/4-20 x .75                    | *    | 56468382 | A/R | Replacement Brush Set                         |
| 11   | 56002959 | 2   | Pin, Cotter Hair                                | 49   | 56410363 | 2   | Nut Plate                                     |
| 12   | 56003264 | 2   | Ring, Ret Ext Type E .50 Dia.                   | 50   | 56407303 | 2   | Knob (TSBUS2002-821)                          |
| 13   | 56003426 | 9   | Nut, Hex Nyl Loc SS M6 x 1.00                   | 51   | 56106070 | 6   | Bearing, Ball (TSBUS2002-821)                 |
| 14   | 56003211 | 3   | Scr, Hex Hd SS M6-1.00 x 12mm                   | 52   | 56407551 | 2   | Hub (TSBUS2002-821)                           |
| 15   | 56003491 | 2   | Scr, Hex M10-1.50 x 40mm                        | 53   | 56315447 | 2   | Idler Bearing Plate (TSBUS2002-821)           |
| 16   | 56009020 | 2   | Stud  | 54   | 56002119 | 4   | Scr, Soc Set Loc 1/4-20 x .50 (TSBUS2002-821) |
| 17   | 56009062 | 8   | Scr, Pan Phil Thd Form 1/4-20 x .50             | 55   | 56410208 | 2   | Sheave, Poly-V (TSBUS2002-821)                |
| 18   | 56009086 | 2   | Nut, Hex Jam 5/16-18                            | 56   | 56003237 | 2   | Key, Sq .19 x .62 (TSBUS2002-821)             |
| 19   | 56009089 | 5   | Nut, Hex Jam 1/2-20                             | 57   | 56315405 | 2   | Bearing Plate (TSBUS2002-821)                 |
| 20   | 56152811 | 2   | Collar  | 58   | 56407389 | 2   | Spacer (TSBUS2002-821)                        |
| 21   | 56244969 | 1   | Clamp, Hose SAE #12                             | 59   | 56407557 | 2   | Spindle (TSBUS2002-821)                       |
| 22   | 56264442 | 1   | Barb, 90 Elbow 3/4 x 3/8 NPT                    | 60   | 56407558 | 4   | Washer, Bearing (TSBUS2002-821)               |
| 23   | 56325240 | 1   | Wire Rope, 10"                                  |      |          |     |   |
| 24   | 56330391 | 2   | Wire Rope, 12"                                  |      |          |     |   |
| 25   | 56407012 | 1   | Tee, 3/8 NPT x 1/2 x 1/2 Barb                   | **   | 56410298 | 2   | 46 Grit                                       |
| 26   | 56407432 | 2   | Idler, Belt                                     | **   | 56410297 | 2   | 80 Grit                                       |
| 27   | 56407554 | 2   | Idler End Assy (#50-53 & 60)<br>(TSBUS2002-821) | **   | 56410296 | 2   | 180 Grit                                      |
| 28   | 56407470 | 1   | Right Skirt Assy (3800 / BR 1100)               | **   | 56410295 | 2   | Stiff Nylon                                   |
|      | 56410337 | 1   | Right Skirt Assy (2042 / BR 1100C-XL)           | **   | 56410294 | 2   | Soft Nylon                                    |
| 29   | 56407471 | 1   | Left Skirt Assy (3800 / BR 1100)                | **   | 56410293 | 2   | Polypropylene                                 |
|      | 56410336 | 1   | Left Skirt Assy (2042 / BR 1100C-XL)            | **   | 56409944 | 2   | 46 Grit                                       |
| 30   | 56409154 | 1   | Valve, Solenoid                                 | **   | 56409943 | 2   | 80 Grit                                       |
| 31   | 56409405 | 5   | Ball Joint                                      | **   | 56409942 | 2   | 180 Grit                                      |
| 32   | 56412088 | 1   | Pin   | **   | 56409941 | 2   | Stiff Nylon                                   |
| 33   | 56469858 | 2   | Standoff, Insulated                             | **   | 56409940 | 2   | Soft Nylon                                    |
| *    | 56410365 | 4   | Wire Assy 11.5" (2042 / BR 1100C-XL)            | **   | 56409924 | 2   | Polypropylene                                 |
| *    | 56410366 | 4   | Wire Assy 9.5" (3800 / BR 1100)                 |      |          |     |   |
| 34   | 56477813 | 5   | Ball Joint                                      | **   | 56410373 | 1   | Gum Rubber Deck Blade Kit <b>NOTE</b>         |
| 35   | 56401783 | 2   | Leg Leveler, 5/16-18                            | **   | 56410374 | 1   | Linatex Deck Blade Kit <b>NOTE</b>            |
| 36   | 56409994 | 1   | Connecting Rod                                  | **   | 56410375 | 1   | Neoprene Deck Blade Kit <b>NOTE</b>           |
| 37   | 56409995 | 4   | Connecting Rod                                  |      |          |     |   |
| 38   | 56410207 | 2   | Sheave, Poly-V                                  |      |          |     |   |
| 39   | 56410209 | 1   | Guard, Right Belt                               |      |          |     |   |
| 40   | 56410210 | 1   | Guard, Left Belt                                |      |          |     |   |
| 41   | 56410213 | 2   | Blade (3800 / BR 1100)                          |      |          |     |   |
|      | 56410353 | 2   | Blade (2042 / BR 1100C-XL)                      |      |          |     |   |
| 42   | 56410214 | 2   | Strap   |      |          |     |   |

**3800 / BR 1100 Brushes**

- 46 Grit
- 80 Grit
- 180 Grit
- Stiff Nylon
- Soft Nylon
- Polypropylene

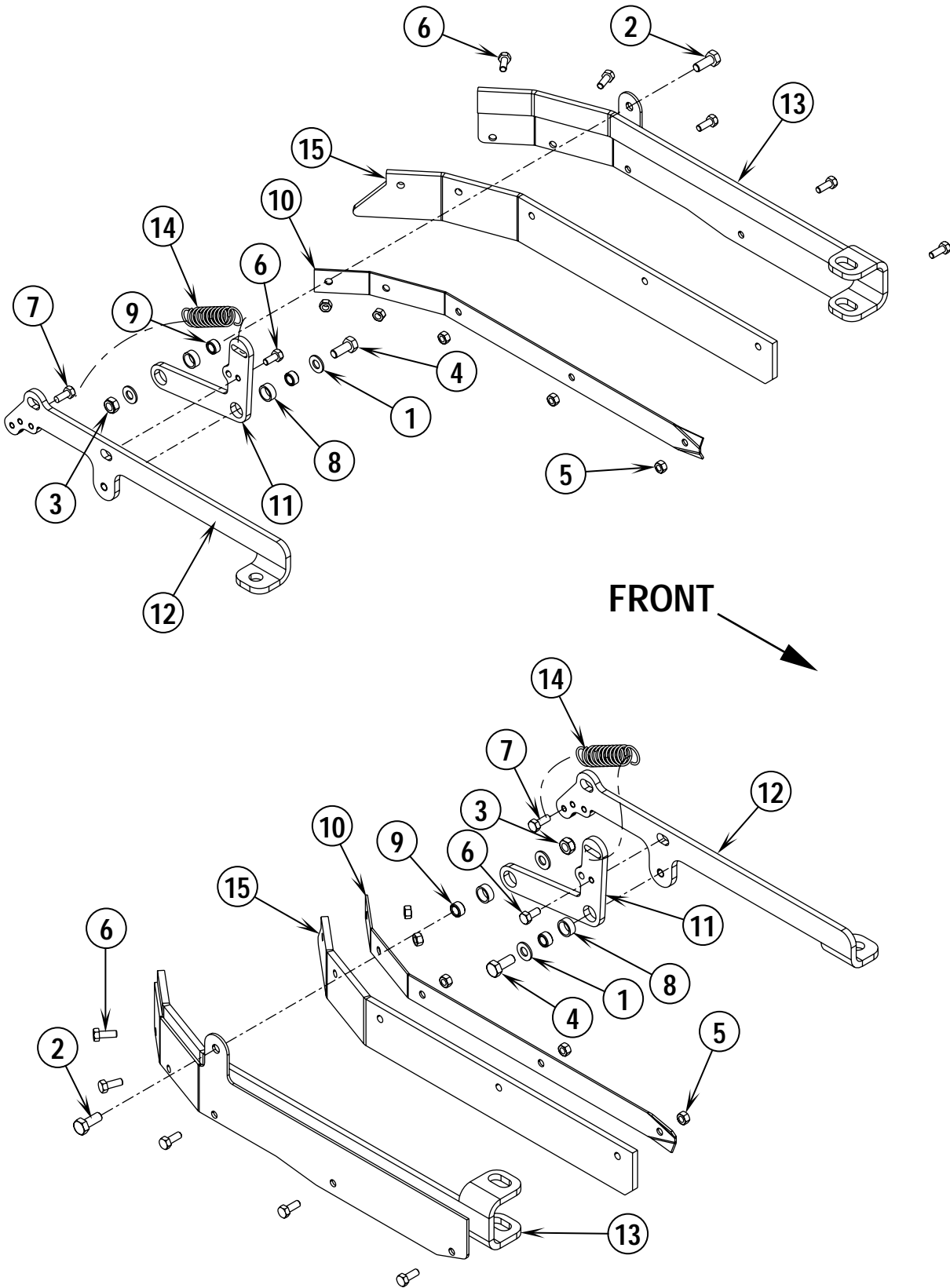
**2042 / BR 1100C-XL Brushes**

- 46 Grit
- 80 Grit
- 180 Grit
- Stiff Nylon
- Soft Nylon
- Polypropylene

\* = Not Shown

\*\* = Optional

**NOTE: All Deck Blade Kits include both deck and skirt assembly blades.**

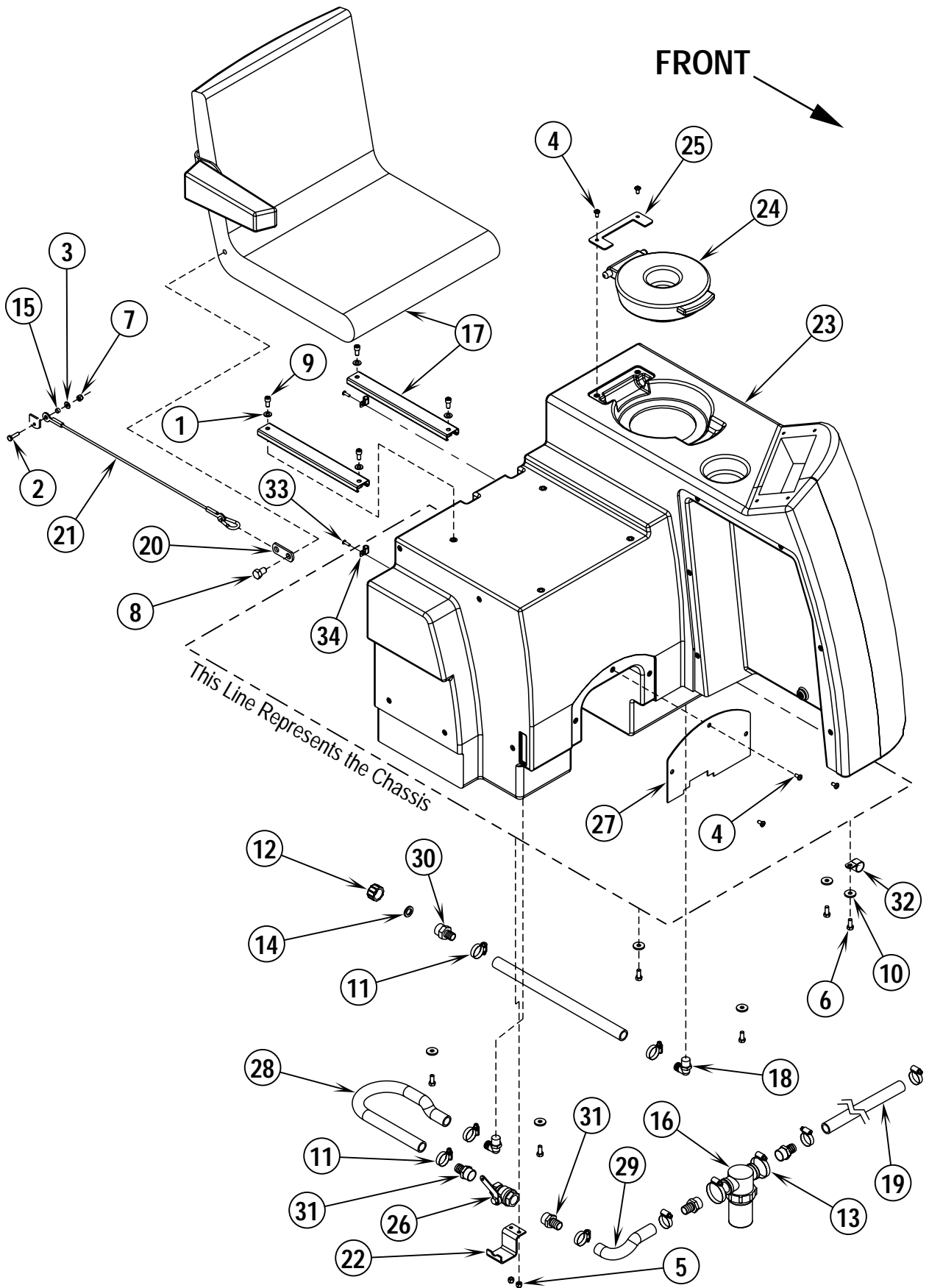


|      |   |               |              |           |
|------|---|---------------|--------------|-----------|
| 00-7 | <b>SCRUB SYSTEM SKIRT ASSEMBLIES (CYL.)</b>                   | <b>BOOK E</b> |              |           |
| 04-5 | <b>Hydro-Retriever™ 3800, 2042 / BR 1100, 1100C, 1100C-XL</b> | <b>E</b>      | <b>8.6.1</b> | <b>19</b> |

| Item | Ref. No. | Qty | Description                                      |
|------|----------|-----|--|
|      | 56407471 | 1   | <b>Left Skirt Assembly (3800 / BR 1100)</b>      |
|      | 56410336 | 1   | <b>Left Skirt Assembly (2042 / BR 1100C-XL)</b>  |
| 1    | 56001939 | 2   | Wsh, Flt SAE 5/16                                |
| 2    | 56003179 | 1   | Scr, Hex Thd to Hd M8-1.25 x 20mm                |
| 3    | 56003389 | 1   | Nut, Hex Nyl Loc M8-1.25                         |
| 4    | 56003178 | 1   | Scr, Hex Thd to Hd M8-1.25 x 16mm                |
| 5    | 56003426 | 5   | Nut, Hex Nyl Loc SS M6-1.00                      |
| 6    | 56003431 | 6   | Scr, Hex Hd SS M6-1.00 x 16mm                    |
| 7    | 56003441 | 1   | Scr, Hex Nyl Loc M6-1.00 x 15mm                  |
| 8    | 56185263 | 2   | Bearing, Sleeve                                  |
| 9    | 56320595 | 2   | Bushing .32 x .50 x .28                          |
| 10   | 56407411 | 1   | Retainer, Skirt                                  |
| 11   | 56407413 | 1   | Arm, Mount                                       |
| 12   | 56407414 | 1   | Bracket, Mount                                   |
| 13   | 56407449 | 1   | Skirt Bracket Weld't.                            |
| 14   | 56470672 | 1   | Spring, Extension                                |
| 15   | 56407447 | 1   | Skirt <b>(3800 / BR 1100)</b>                    |
|      | 56410335 | 1   | Skirt <b>(2042 / BR 1100C-XL)</b>                |
|      | 56407470 | 1   | <b>Right Skirt Assembly (3800 / BR 1100)</b>     |
|      | 56410337 | 1   | <b>Right Skirt Assembly (2042 / BR 1100C-XL)</b> |
| 1    | 56001939 | 2   | Wsh, Flt SAE 5/16                                |
| 2    | 56003179 | 1   | Scr, Hex Thd to Hd M8-1.25 x 20mm                |
| 3    | 56003389 | 1   | Nut, Hex Nyl Loc M8-1.25                         |
| 4    | 56003178 | 1   | Scr, Hex Thd to Hd M8-1.25 x 16mm                |
| 5    | 56003426 | 5   | Nut, Hex Nyl Loc SS M6-1.00                      |
| 6    | 56003431 | 6   | Scr, Hex Hd SS M6-1.00 x 16mm                    |
| 7    | 56003441 | 1   | Scr, Hex Nyl Loc M6-1.00 x 15mm                  |
| 8    | 56185263 | 2   | Bearing, Sleeve                                  |
| 9    | 56320595 | 2   | Bushing .32 x .50 x .28                          |
| 10   | 56407411 | 1   | Retainer, Skirt                                  |
| 11   | 56407413 | 1   | Arm, Mount                                       |
| 12   | 56407415 | 1   | Bracket, Mount                                   |
| 13   | 56407448 | 1   | Skirt Bracket Weld't.                            |
| 14   | 56470672 | 1   | Spring, Extension                                |
| 15   | 56407447 | 1   | Skirt <b>(3800 / BR 1100)</b>                    |
|      | 56410335 | 1   | Skirt <b>(2042 / BR 1100C-XL)</b>                |
| **   | 56410373 | 1   | Gum Rubber Deck Blade Kit <b>NOTE</b>            |
| **   | 56410374 | 1   | Linatex Deck Blade Kit <b>NOTE</b>               |
| **   | 56410375 | 1   | Neoprene Deck Blade Kit <b>NOTE</b>              |

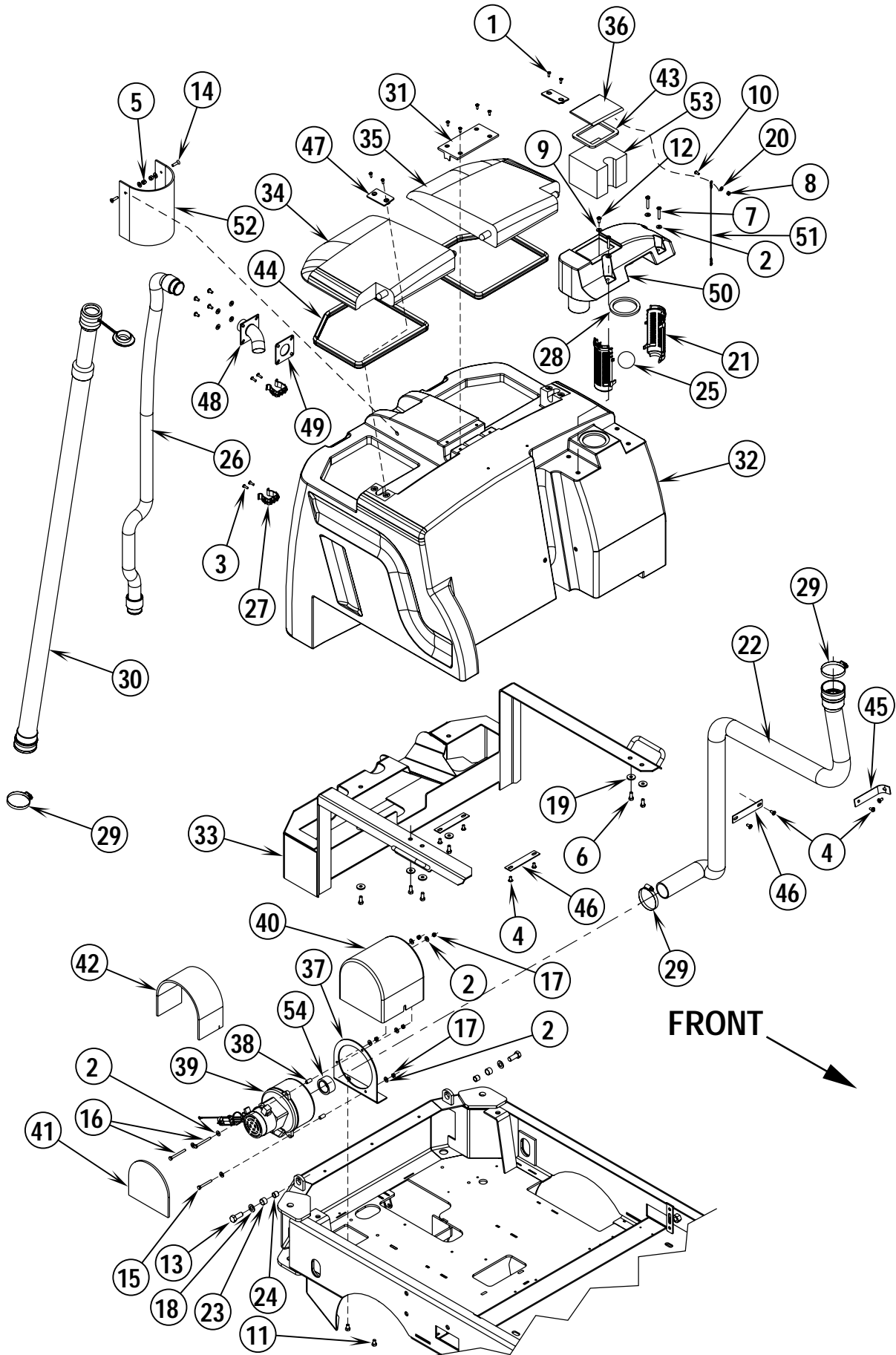
\*\* = Optional

**NOTE: All Deck Blade Kits include both deck and skirt assembly blades.**



|       |   |               |              |           |
|-------|---|---------------|--------------|-----------|
| 00-7  | <b>SOLUTION SYSTEM</b>  | <b>BOOK E</b> |              |           |
| 00-10 | <b>Hydro-Retriever™ 3800, 2042 / BR 1100, 1100C, 1100C-XL</b> | <b>E</b>      | <b>8.6.1</b> | <b>21</b> |

| Item | Ref. No. | Qty | Description                              |
|------|----------|-----|--|
| 1    | 56001939 | 4   | Wsh, Flt SAE 5/16                        |
| 2    | 56002093 | 1   | Scr, Hex Hd 1/4-20 x 1.00                |
| 3    | 56002098 | 1   | Wsh, Flt SAE 1/4                         |
| 4    | 56002145 | 5   | Scr, Pan Phil 1/4-20 x .50               |
| 5    | 56002491 | 2   | Nut, Hex Nyl Loc SS 1/4-20               |
| 6    | 56002667 | 6   | Scr, Hex Hd 5/16-18 x .75                |
| 7    | 56002708 | 1   | Nut, Hex Nul Loc 1/4-20                  |
| 8    | 56003032 | 1   | Scr, Hex Hd Loc 1/2-12 x .75             |
| 9    | 56003118 | 4   | Scr, Soc Hd 5/16-18 x 0.62               |
| 10   | 56009057 | 6   | Wsh, Flt Harden .344 x 1.000 x .120/.135 |
| 11   | 56244969 | 8   | Clamp, Hose SAE #12                      |
| 12   | 56255076 | 1   | Cap, Pipe GHT Nylon                      |
| 13   | 56329145 | 2   | Clamp, Hose SAE #24                      |
| 14   | 56368776 | 1   | Washer, Rubber                           |
| 15   | 56368997 | 1   | Bushing                                  |
| 16   | 56407162 | 1   | Filter                                   |
| 17   | 56409021 | 1   | SeatAssembly                             |
| 18   | 56456802 | 2   | Barb, 90 Elbow11/16 x 3/4 NPT            |
| 19   | 56456835 | 1   | Hose, Spiral                             |
| 20   | 56409536 | 1   | Strap                                    |
| 21   | 56409537 | 1   | Cable Assembly                           |
| 22   | 56409945 | 1   | Bracket, Valve Hold Down                 |
| 23   | 56409950 | 1   | Solution Tank                            |
| 24   | 56409963 | 1   | Lid, Solution Tank                       |
| 25   | 56409964 | 1   | Plate, Hinge                             |
| 26   | 56410041 | 1   | Flow Control Valve Assembly              |
| 27   | 56410147 | 1   | Cover, Actuator                          |
| 28   | 56410161 | 2   | Hose, 16 inch Spiral                     |
| 29   | 56410162 | 1   | Hose, 7 inch Spiral                      |
| 30   | 56900273 | 1   | Barb, Adapter 3/4 x 3/4 GHT              |
| 31   | 56900292 | 4   | Barb, Adapter 3/4 x 3/4 NPT              |
| 32   | 56409463 | 1   | Clamp, 1.25 Hose Support                 |
| 33   | 56002124 | 2   | Scr, Pan Phil 10-24 x .62                |
| 34   | 56323260 | 2   | Clamp, Hose Support                      |





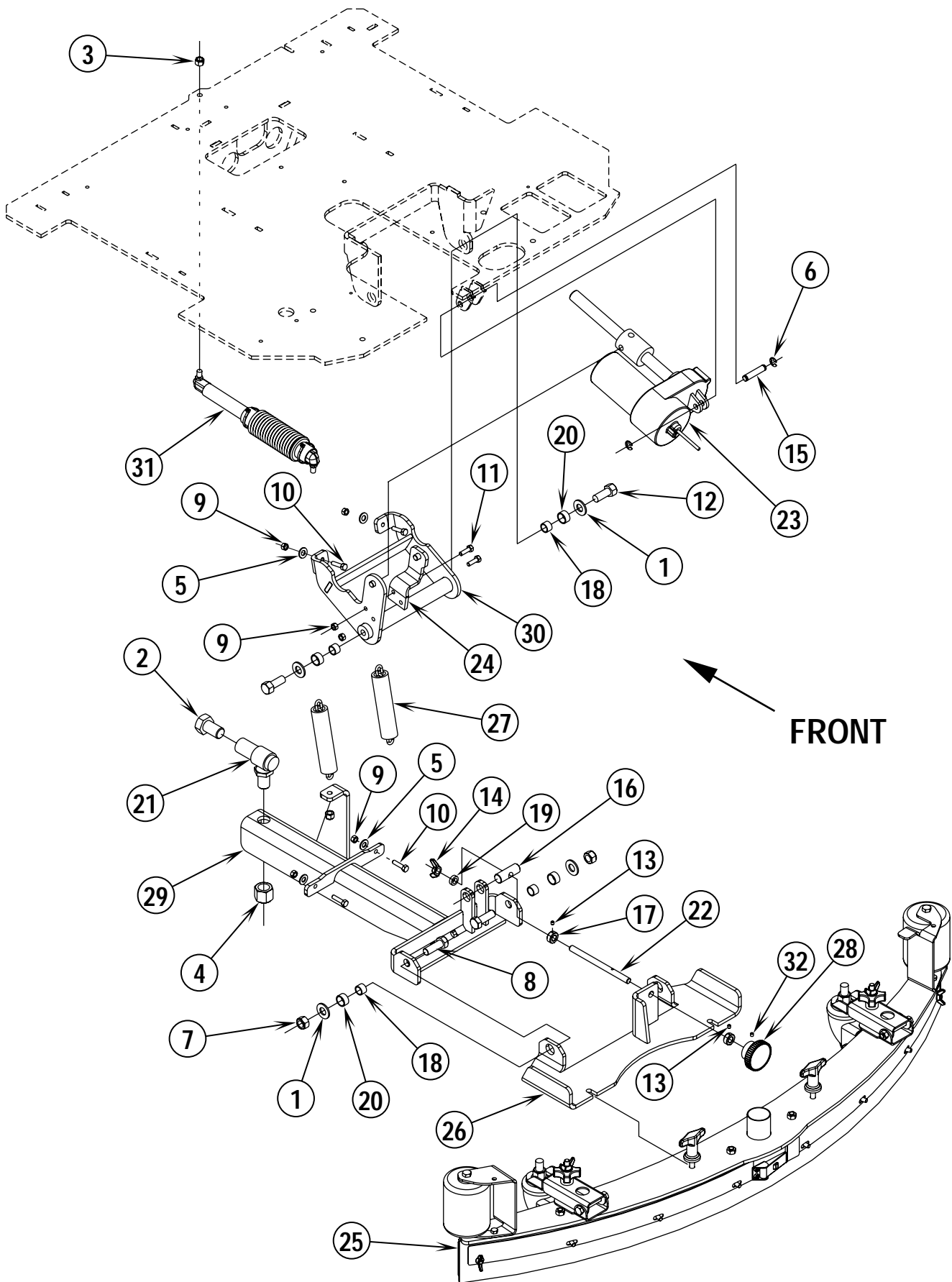
|      |   |               |              |           |
|------|---|---------------|--------------|-----------|
| 00-7 | <b>RECOVERY SYSTEM</b>  | <b>BOOK E</b> |              |           |
| 04-2 | <b>Hydro-Retriever™ 3800, 2042 / BR 1100, 1100C, 1100C-XL</b> | <b>E</b>      | <b>8.6.1</b> | <b>23</b> |

| Item | Ref. No. | Qty | Description  |
|------|----------|-----|--|
| 1    | 56001993 | 8   | Scr, Pan Phil 10-24 x .50  |
| 2    | 56002098 | 15  | Wsh, Flt SAE 1/4   |
| 3    | 56002124 | 4   | Scr, Pan Phil 10-24 x .62  |
| 4    | 56002145 | 12  | Scr, Pan Phil 1/4-20 x .50   |
| 5    | 56002491 | 2   | Nut, Hex Nyl Loc SS 1/4-20   |
| 6    | 56002667 | 6   | Scr, Hex Hd 5/16-18 x .75  |
| 7    | 56002786 | 3   | Scr, Pan Phil 1/4-20 x 1.50  |
| 8    | 56002836 | 1   | Nut, Hex Nyl Loc SS 10-24  |
| 9    | 56002859 | 3   | Wsh, Flt SAE SS 1/4  |
| 10   | 56002900 | 1   | Scr, Pan Phil SS 10-24 x .50   |
| 11   | 56002929 | 2   | Scr, Hex Hd Loc 5/16-18 x .62  |
| 12   | 56002989 | 1   | Scr, Pan Phil SS 1/4-20 x .62  |
| 13   | 56003022 | 2   | Scr, Hex Hd Loc 1/2-13 x 1.25  |
| 14   | 56003074 | 2   | Scr, Flt Phil SS 1/4-20 x 1.00                                       |
| 15   | 56003168 | 1   | Scr, Hex M6-1.0 x 50MM   |
| 16   | 56003169 | 2   | Scr, Hex M6-1.0 x 60MM   |
| 17   | 56003403 | 5   | Nut, Hex Nyl Loc M6-1.00   |
| 18   | 56009017 | 2   | Wsh, Flt Harden .516 x .938 x .75                                    |
| 19   | 56009057 | 6   | Wsh, Flt Harden .344 x 1.000 x .120/.135                             |
| 20   | 56009205 | 1   | Wsh, Flt SS #10  |
| 21   | 56324497 | 2   | Cage, Float  |
| 22   | 56392283 | 1   | Vac Hose <b>After Feb. 3, 2003 / TSBUS2003-827</b>                   |
|      | 56392168 | 1   | Vac Hose <b>Before Feb. 3, 2003 / TSBUS2003-827</b>                  |
| 23   | 56367168 | 2   | Bearing, Sleeve  |
| 24   | 56367206 | 2   | Bushing  |
| 25   | 56391690 | 1   | Ball, Float  |
| 26   | 56392168 | 1   | Vac Hose, 66 Inch Assembly   |
| 27   | 56407361 | 2   | Clamp, Plastic   |
| 28   | 56412154 | 1   | Gasket, Vacuum Duct  |
| 29   | 56456797 | 3   | Clamp, Hose SAE #36  |
| 30   | 56396031 | 1   | Drain Hose   |
| 31   | 56409946 | 1   | Lid Bracket  |
| 32   | 56409951 | 1   | Recovery Tank  |
| **   | 56455671 | 1   | Cleanout Cap Assy <b>TSB 773</b>                                     |
| 33   | 56409960 | 1   | Tank Mount Weldt ( <b>Non Battery Rollout &amp; Nilfisk Models</b> ) |
|      | 56410488 | 1   | Tank Mount Weldt ( <b>Battery Rollout Models</b> )                   |
| 34   | 56409966 | 1   | Cover Right, Recovery Tank   |
| 35   | 56409967 | 1   | Cover Left, Recovery Tank  |
| 36   | 56409970 | 1   | Cover, Exhaust Duct  |
| 37   | 56410063 | 1   | Vacuum Support   |
| 38   | 56410064 | 3   | Stand-Off  |
| 39   | 56410065 | 1   | Vac Motor W/Cap  |
| *    | 56212223 | 1   | Carbon Brush Set   |
| 40   | 56410066 | 1   | Vacuum Shroud  |
| 41   | 56410067 | 1   | Foam, Vac Motor  |
| 42   | 56410068 | 1   | Foam, Vac Motor  |
| 43   | 56410125 | 1   | Gasket, Vac Duct Cover   |
| 44   | 56410126 | 2   | Gasket, Cut  |
| 45   | 56410128 | 1   | Bracket, Vac Hose  |
| 46   | 56410129 | 3   | Bracket, Vac Hose  |
| 47   | 56410148 | 2   | Hinge Cover  |
| 48   | 56410157 | 1   | Recovery Tube Assembly   |
| 49   | 56410160 | 1   | Gasket, Recovery Tube  |
| 50   | 56410432 | 1   | Vacuum Duct <b>After Feb. 3, 2003 / TSBUS2003827</b>                 |
|      | 56410253 | 1   | Vacuum Duct <b>Before Feb. 3, 2003 / TSBUS2003-827</b>               |
| 51   | 56330391 | 1   | Wire Rope <b>After Feb. 3, 2003 / TSBUS2003827</b>                   |
|      | 56410254 | 1   | Wire Rope <b>Before Feb. 3, 2003 / TSBUS2003-827</b>                 |
| 52   | 56410255 | 1   | Deflector, Rubber  |
| 53   | 56410433 | 1   | Filter Foam, Vacuum Duct <b>After Feb. 3, 2003 / TSBUS2003827</b>    |
|      | 56410256 | 1   | Filter Foam, Vacuum Duct <b>Before Feb. 3, 2003 / TSBUS2003-827</b>  |
| 54   | 56410446 | 1   | Adapter <b>After Feb. 3, 2003 / TSBUS2003827</b>                     |

\* = Not Shown

\*\* = Optional

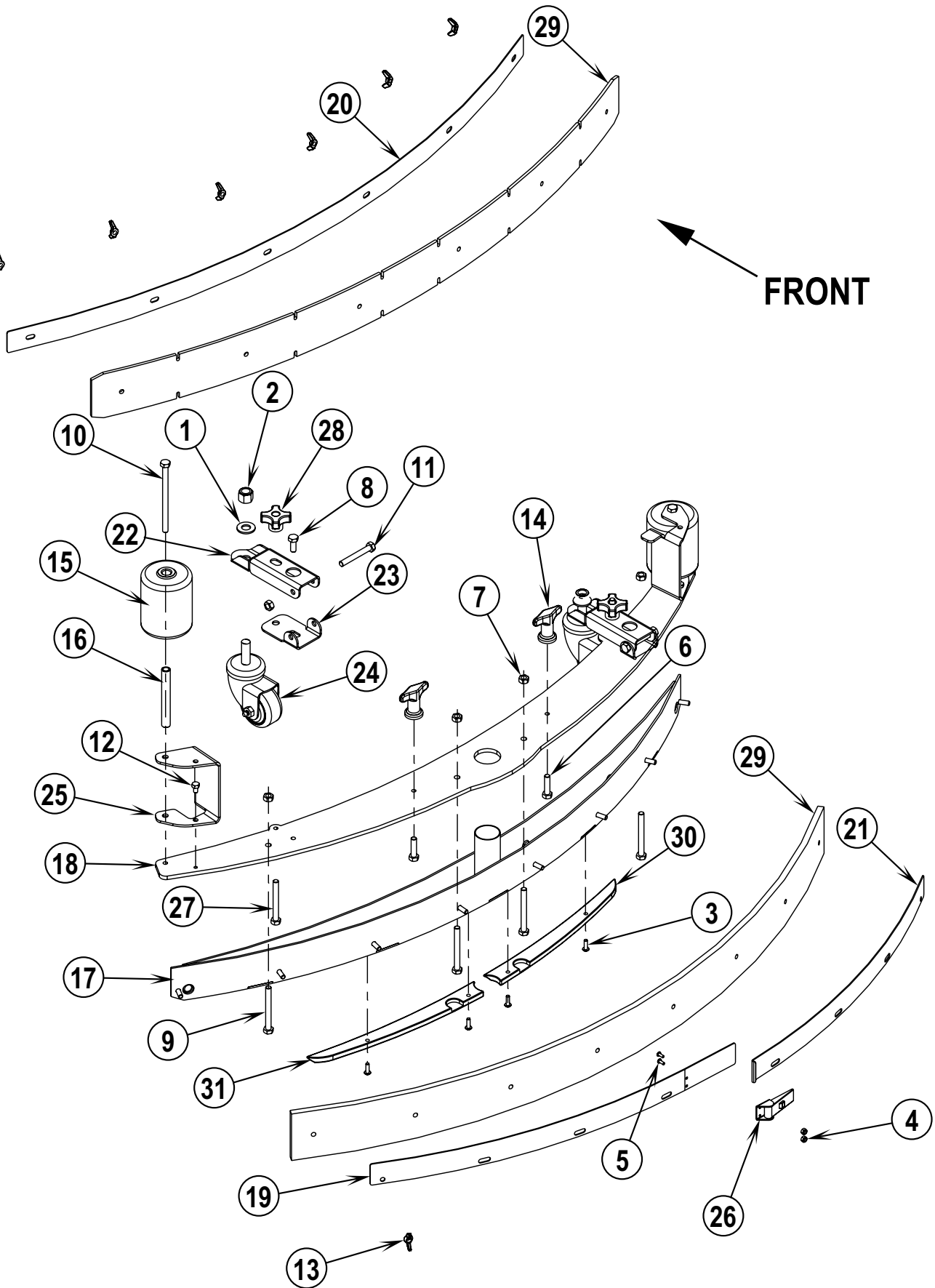
FORM NO. 56042410



|      |   |               |              |           |
|------|---|---------------|--------------|-----------|
| 00-7 | <b>SQUEEGEE SYSTEM</b>  | <b>BOOK E</b> |              |           |
| 05-6 | <b>Hydro-Retriever™ 3800, 2042 / BR 1100, 1100C, 1100C-XL</b> | <b>E</b>      | <b>8.6.1</b> | <b>25</b> |

| Item | Ref. No. | Qty | Description  |
|------|----------|-----|--|
| 1    | 56001879 | 4   | Wsh, Flt SAE 1/2   |
| 2    | 56002739 | 1   | Scr, Hex Grd 8 3/4-16 x 1.25   |
| 3    | 56002856 | 2   | Nut, Hex Nyl Loc SS 5/16-18  |
| 4    | 56002863 | 1   | Nut, hex Nyl Loc 3/4-16  |
| 5    | 56003638 | 4   | Wsh, Flt SS 6mm  |
| 6    | 56003262 | 2   | Ring, Ret Ext Type E 0.38 Dia  |
| 7    | 56003312 | 2   | Nut, Hex Nyl Loc M12-1.75  |
| 8    | 56003415 | 2   | Scr, Hex M12-1.75 x 35MM   |
| 9    | 56003426 | 6   | Nut, Hex Nyl Loc SS M6 x 1.0   |
| 10   | 56003430 | 4   | Scr, Hex Hd SS 6-1.0 x 25MM  |
| 11   | 56003443 | 2   | Scr, Hex Hd SS M6-1.0 x 20MM   |
| 12   | 56003478 | 2   | Scr, Hex Nyl Loc M12-1.75 x 30MM   |
| 13   | 56002015 | 2   | Scr, Soc Set Loc 10-24 x .25   |
| 14   | 56009252 | 1   | Nut, Wing SS 3/8-16  |
| 15   | 56104760 | 1   | Pin  |
| 16   | 56324369 | 1   | Pin  |
| 17   | 56331076 | 2   | Collar   |
| 18   | 56360627 | 4   | Bushing  |
| 19   | 56366013 | 1   | Bushing .37 x .62 x .18  |
| 20   | 56370878 | 4   | Bearing, Sleeve  |
| 21   | 56391864 | 1   | Ball Joint   |
| 22   | 56392104 | 1   | Rod, Adjuster  |
| 23   | 56393303 | 1   | Actuator, Motor  |
| *    | 56393790 | 1   | Replacement Limit Switch (2 Required)  |
| *    | 56470433 | 1   | Carbon Brush Kit   |
| *    | 56388520 | 1   | Plastic Drive Nut  |
| 24   | 56407110 | 1   | Half Yoke Weldment   |
| 25   | 56407590 | 1   | Squeegee Assembly (3800 / BR 1100) TSBUS2003-836 / TSBUS2004-862                     |
|      | 56410451 | 1   | Squeegee Assembly (2042 / BR 1100C-XL / Haram BR 1100) TSBUS2003-836 / TSBUS2004-862 |
| 26   | 56407306 | 1   | Squeegee Mount Weldment  |
| 27   | 56407335 | 2   | Chain Assembly   |
| 28   | 56475480 | 1   | Knob   |
| 29   | 56410018 | 1   | Mount Weldment   |
| 30   | 56410020 | 1   | Arm Weldment   |
| 31   | 56410025 | 1   | Gas Spring Assembly  |
| *    | 56407381 | 1   | Rubber Boot  |
| *    | 56478246 | 2   | Tie, Cable   |
| *    | 56410024 | 1   | Cylinder, Gas  |
| 32   | 56003123 | 1   | Scr, Soc Set 10-24 x .38   |

\* = Not Shown

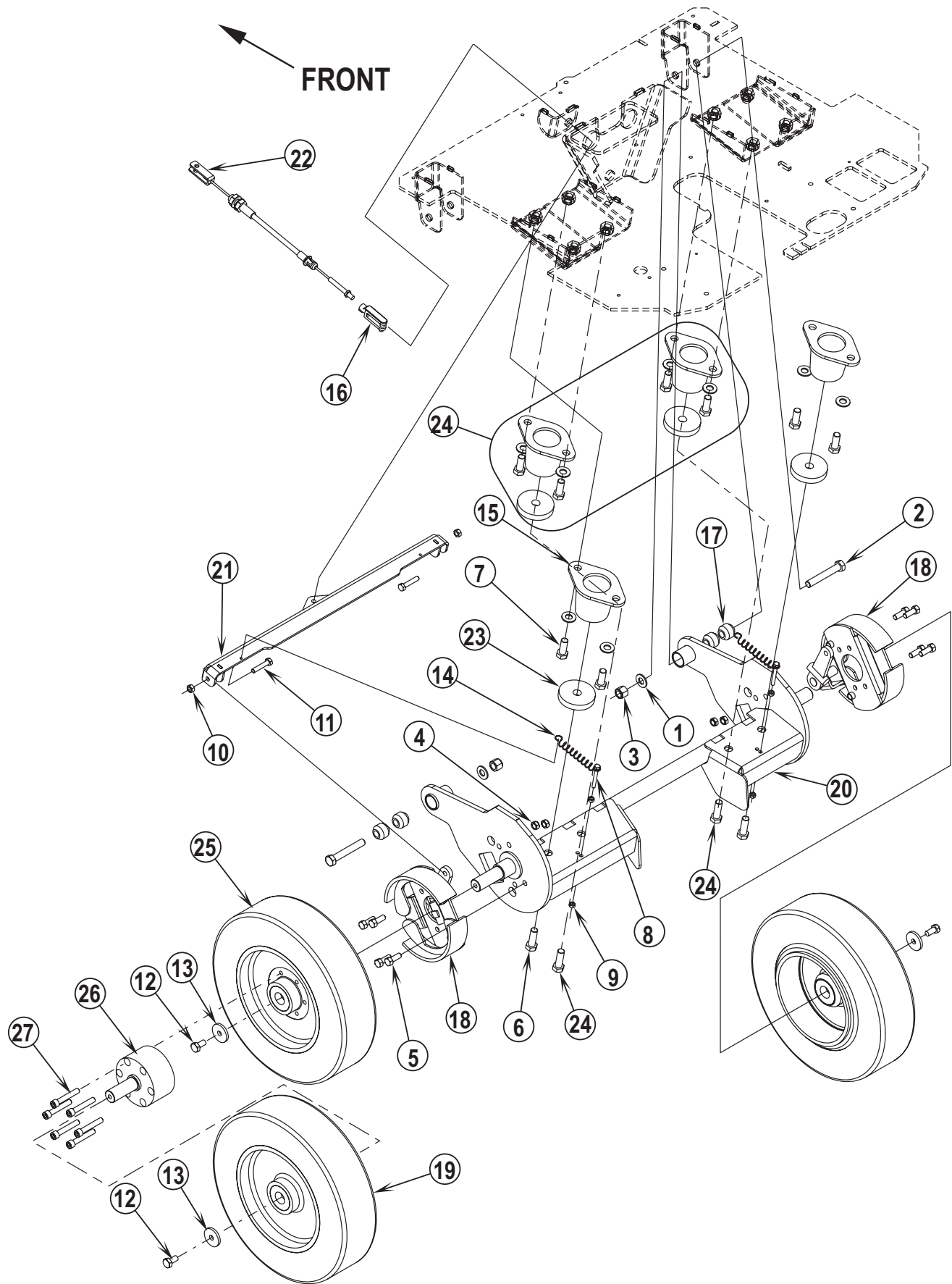


|      |   |               |              |           |
|------|---|---------------|--------------|-----------|
| 00-7 | <b>SQUEEGEE ASSEMBLY</b>                                      | <b>BOOK E</b> |              |           |
| 04-8 | <b>Hydro-Retriever™ 3800, 2042 / BR 1100, 1100C, 1100C-XL</b> | <b>E</b>      | <b>8.6.1</b> | <b>27</b> |

| Item | Ref. No. | Qty | Description  |
|------|----------|-----|--|
|      | 56407590 | 1   | Squeegee Assembly (3800 / BR 1100) TSBUS2003-836 / TSBUS2004-862                     |
|      | 56410451 | 1   | Squeegee Assembly (2042 / BR 1100C-XL / Haram BR 1100) TSBUS2003-836 / TSBUS2004-862 |
| 1    | 56001879 | 2   | Wsh, Flt SAE 1/2   |
| 2    | 56002770 | 2   | Nut, Hex Nyl Loc 1/2-13  |
| 3    | 56002896 | 4   | Scr, Pan Phil SS 10-24 x .62   |
| 4    | 56002907 | 2   | Nut, Hex Nyl Loc SS 6-32   |
| 5    | 56002909 | 2   | Scr, Pan Phil SS 6-32 x .38  |
| 6    | 56003302 | 2   | Scr, Hex Thd To Hd SS 5/16-18 x 1.25   |
| 7    | 56003405 | 6   | Nut, Hex Nyl Loc SS M8-1.25  |
| 8    | 56003435 | 2   | Scr, Hex Hd SS M8-1.25 x 20mm  |
| 9    | 56003461 | 4   | Scr, Hex Hd SS M8-1.25 x 75mm  |
| 10   | 56003462 | 2   | Scr, Hex Hd SS M8-1.25 x 120mm   |
| 11   | 56003464 | 2   | Scr, Hex Hd SS M8-1.25 x 60mm  |
| 12   | 56003498 | 2   | Scr, Hex Hd SS M6-1.00 x 10mm  |
| 13   | 56009111 | 8   | Nut, Wing SS 1/4-20  |
| 14   | 56370711 | 2   | Nut, Thumb   |
| 15   | 56407006 | 2   | Wheel, Roller  |
| 16   | 56407155 | 2   | Bushing  |
| 17   | 56407290 | 1   | Tool Weldment (3800 / BR 1100)   |
|      | 56410265 | 1   | Tool Weldment (2042 / BR 1100C-XL / Haram BR 1100)                                   |
| 18   | 56407294 | 1   | Plate (3800 / BR 1100)   |
|      | 56410266 | 1   | Plate (2042 / BR 1100C-XL / Haram BR 1100)   |
| 19   | 56407297 | 1   | Strap, Left Rear (3800 / BR 1100)  |
|      | 56410269 | 1   | Strap, Left Rear (2042 / BR 1100C-XL / Haram BR 1100)                                |
| 20   | 56407298 | 1   | Strap, Front (3800 / BR 1100)  |
|      | 56410270 | 1   | Strap, Front (2042 / BR 1100C-XL / Haram BR 1100)                                    |
| 21   | 56407299 | 1   | Strap, Right Rear (3800 / BR 1100)   |
|      | 56410271 | 1   | Strap, Right Rear (2042 / BR 1100C-XL / Haram BR 1100)                               |
| 22   | 56407301 | 2   | Bracket  |
| 23   | 56407302 | 2   | Bracket  |
| 24   | 56407344 | 2   | Caster Wheel   |
| 25   | 56407375 | 2   | Bracket  |
| 26   | 56471194 | 1   | Latch Assy   |
| 27   | 56003649 | 2   | Scr, Hex Thd To Hd SS 5/16-18 x 2.75   |
| 28   | 56407510 | 2   | Knob   |
| 29   | 56407589 | 1   | Standard Squeegee Blade Kit (3800 / BR 1100) NOTE                                    |
|      | 56410464 | 1   | Linatex Squeegee Blade Kit (2042 / BR 1100C-XL / Haram BR 1100) NOTE                 |
| 30   | 56410416 | 1   | Insert, Squeegee Right TSBUS2003-836 / TSBUS2004-862                                 |
| 31   | 56410417 | 1   | Insert, Squeegee Left TSBUS2003-836 / TSBUS2004-862                                  |
| **   | 56407589 | 1   | Standard Squeegee Blade Kit (3800 / BR 1100) NOTE                                    |
| **   | 56407588 | 1   | Dual Vac Standard Squeegee Blade Kit (3800 / BR 1100) NOTE                           |
| **   | 56407602 | 1   | Neoprene Squeegee Blade Kit (3800 / BR 1100) NOTE                                    |
| **   | 56407596 | 1   | Dual Vac Neoprene Squeegee Blade Kit (3800 / BR 1100) NOTE                           |
| **   | 56407601 | 1   | Linatex Squeegee Blade Kit (3800 / BR 1100) NOTE                                     |
| **   | 56407597 | 1   | Dual Vac Linatex Squeegee Blade Kit (3800 / BR 1100) NOTE                            |
| **   | 56407505 | 1   | Blade, Front W/O Notches (3800 / BR 1100-for tile floors)                            |
| **   | 56410464 | 1   | Linatex Squeegee Blade Kit (2042 / BR 1100C-XL / Haram BR 1100) NOTE                 |
| **   | 56410465 | 1   | Dual Vac Linatex Squeegee Blade Kit (2042 / BR 1100C-XL / Haram BR 1100) NOTE        |
| **   | 56410469 | 1   | Neoprene Squeegee Blade Kit (2042 / BR 1100C-XL / Haram BR 1100) NOTE                |
| **   | 56410466 | 1   | Dual Vac Neoprene Squeegee Blade Kit (2042 / BR 1100C-XL / Haram BR 1100) NOTE       |
| **   | 56410371 | 1   | Gum Rubber Squeegee Blade Kit (2042 / BR 1100C-XL / Haram BR 1100) NOTE              |
| **   | 56410341 | 1   | Blade, Front W/O Notches (2042 / BR 1100C-XL / Haram BR 1100for tile floors)         |

\*\* = Optional

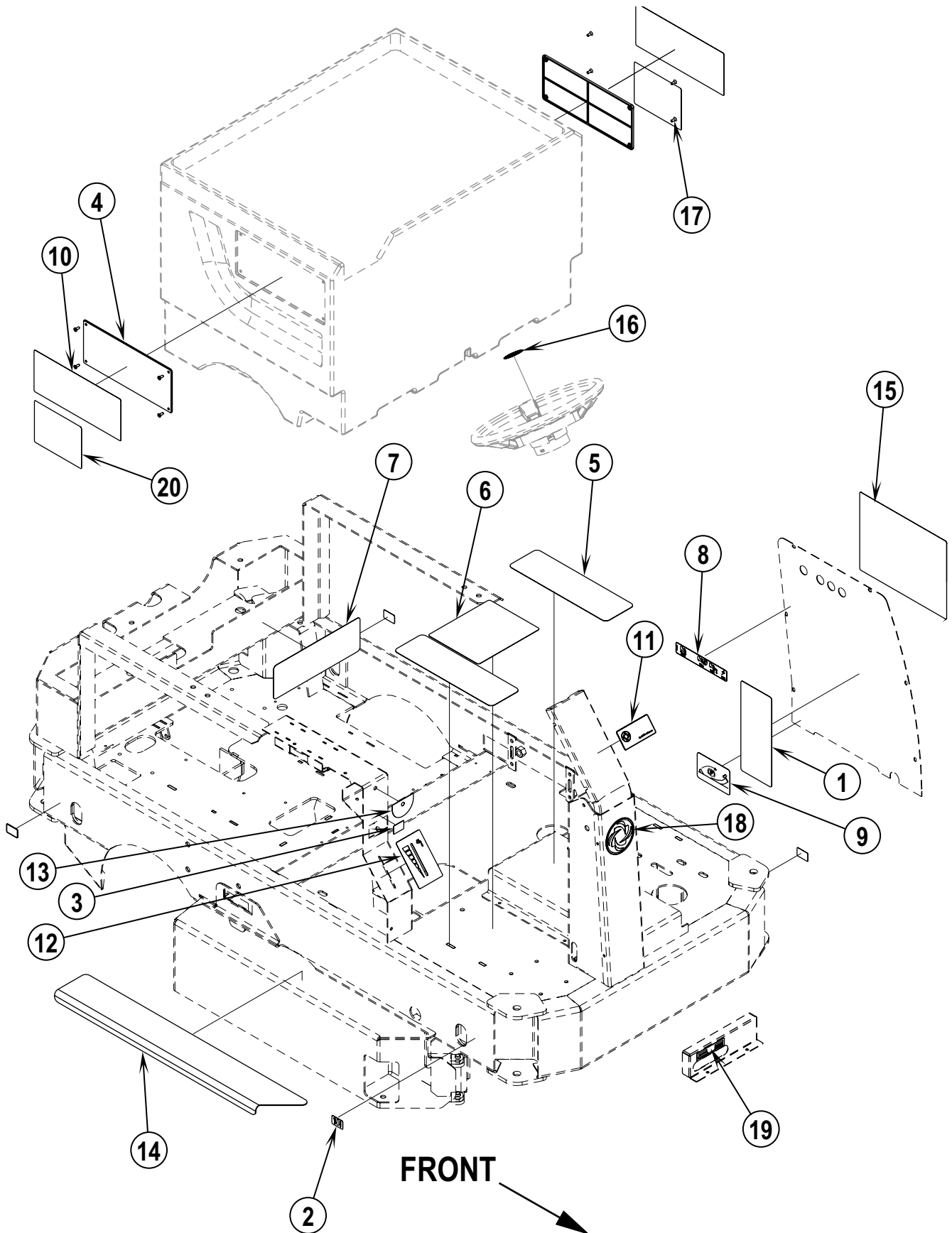
NOTE: All Squeegee Blade Kits include both front & rear squeegee blades.



|      |   |               |              |           |
|------|---|---------------|--------------|-----------|
| 00-7 | <b>REAR WHEEL SYSTEM</b>                                      | <b>BOOK E</b> |              |           |
| 05-6 | <b>Hydro-Retriever™ 3800, 2042 / BR 1100, 1100C, 1100C-XL</b> | <b>E</b>      | <b>8.6.1</b> | <b>29</b> |

| Item | Ref. No. | Qty | Description   |
|------|----------|-----|---|
| 1    | 56001879 | 6   | Wsh, Flt SAE 1/2  |
| 2    | 56002116 | 2   | Scr, Hex Hd 1/2-13 x 3.25                                   |
| 3    | 56002770 | 2   | Nut, Hex Nyl Loc 1/2-13                                     |
| 4    | 56002841 | 8   | Nut, Hex Nyl Loc-Thin 3/8-16                                |
| 5    | 56002886 | 8   | Scr, Hex Hd SS 3/8-16 x 1.00                                |
| 6    | 56002954 | 2   | Scr, Hex Hd Loc 1/2-13 x 1.50                               |
| 7    | 56003022 | 4   | Scr, Hex Hd Loc 1/2-13 x 1.25                               |
| 8    | 56003168 | 2   | Scr, Hex M6-1.0 x 50MM                                      |
| 9    | 56003350 | 4   | Nut Hex M6-1.0  |
| 10   | 56003405 | 2   | Nut, Hex Nyl Loc SS M8-1.25                                 |
| 11   | 56003437 | 2   | Scr, Hex Hd SS M8-1.25 x 40MM                               |
| 12   | 56003442 | 2   | Scr, Hex Nyl Loc M10-1.5 x 20MM (Qty of 4 on Haram BR 1100) |
| 13   | 56367117 | 2   | Wsh, Flt .406 x 1.5 x .1875 (Qty of 4 on Haram BR 1100)     |
| 14   | 56395530 | 2   | Spring, Extension   |
| 15   | 56409160 | 2   | Isolator <b>NOTE!</b>                                       |
| 16   | 56416089 | 1   | Clevis Assembly   |
| 17   | 56114545 | 4   | Bushing, Rubber .513  |
| 18   | 56410012 | 2   | Brake Assembly  |
| 19   | 56410013 | 2   | Wheel, Rear Composite                                       |
| 20   | 56410014 | 1   | Axle Weldment   |
| 21   | 56410034 | 1   | Brake Equalizer Weldment                                    |
| 22   | 56410035 | 1   | Brake Cable Assembly  |
| 23   | 56410096 | 2   | Spacer  |
| 24   | 56409721 | A/R | Isolator Kit (Optional / NOTE!)                             |
| 25   | 56307202 | 2   | Wheel, Rear Composite Dual (Haram BR 1100 only)             |
| 26   | 56307207 | 2   | Spindle Weld't. (Haram BR 1100 only)                        |
| 27   | 56002134 | 12  | Scr, Soc Hd 3/8-16 x 2.25 (Haram BR 1100 only)              |

**NOTE!:** If total battery weight exceeds 920lbs / 417.31 kg, order and install Isolator Kit PN 56409721.

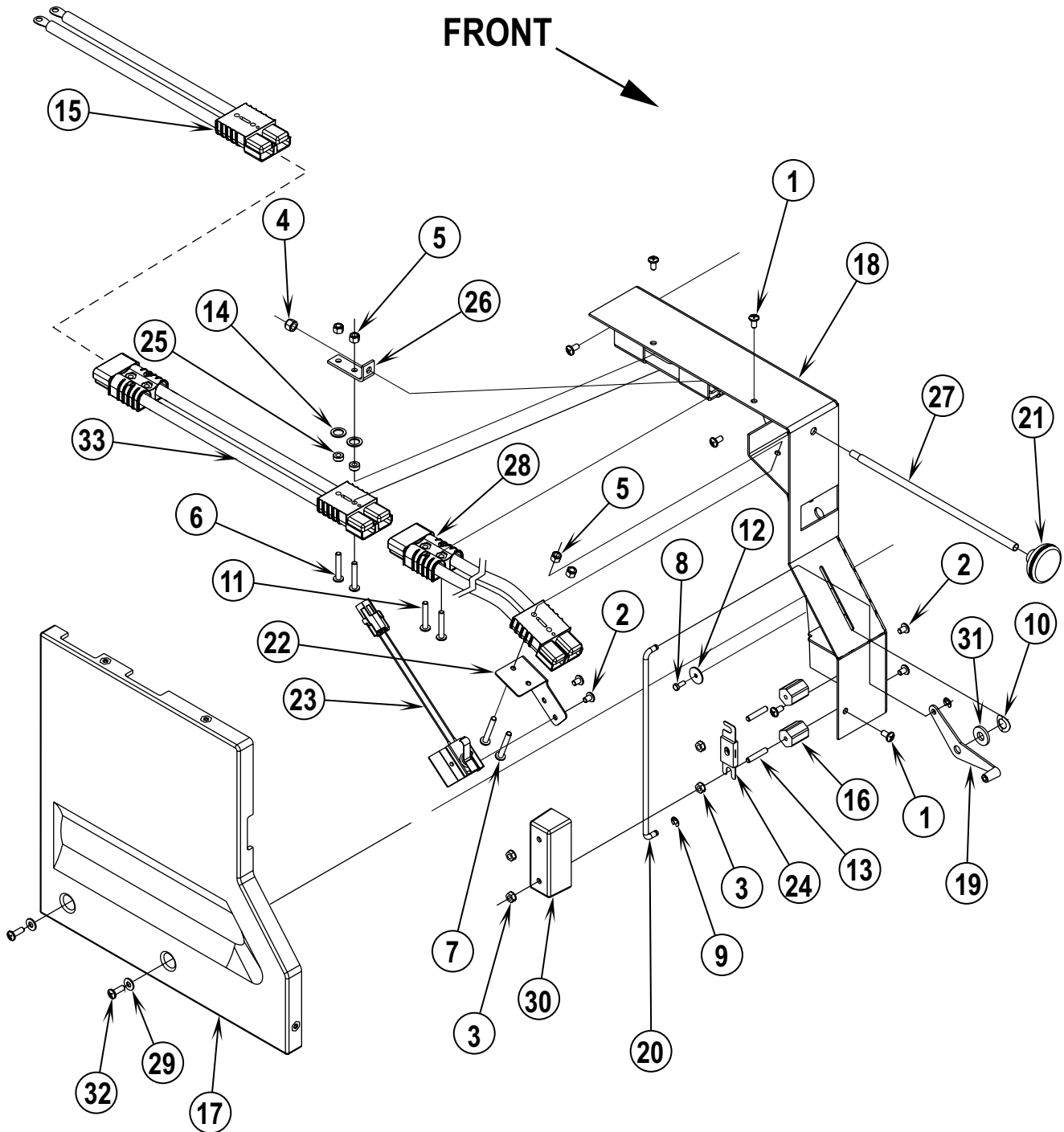




|      |   |               |              |           |
|------|---|---------------|--------------|-----------|
| 00-7 | <b>DECAL SYSTEM</b>   | <b>BOOK E</b> |              |           |
| 04-2 | <b>Hydro-Retriever™ 3800, 2042 / BR 1100, 1100C, 1100C-XL</b> | <b>E</b>      | <b>8.6.1</b> | <b>31</b> |

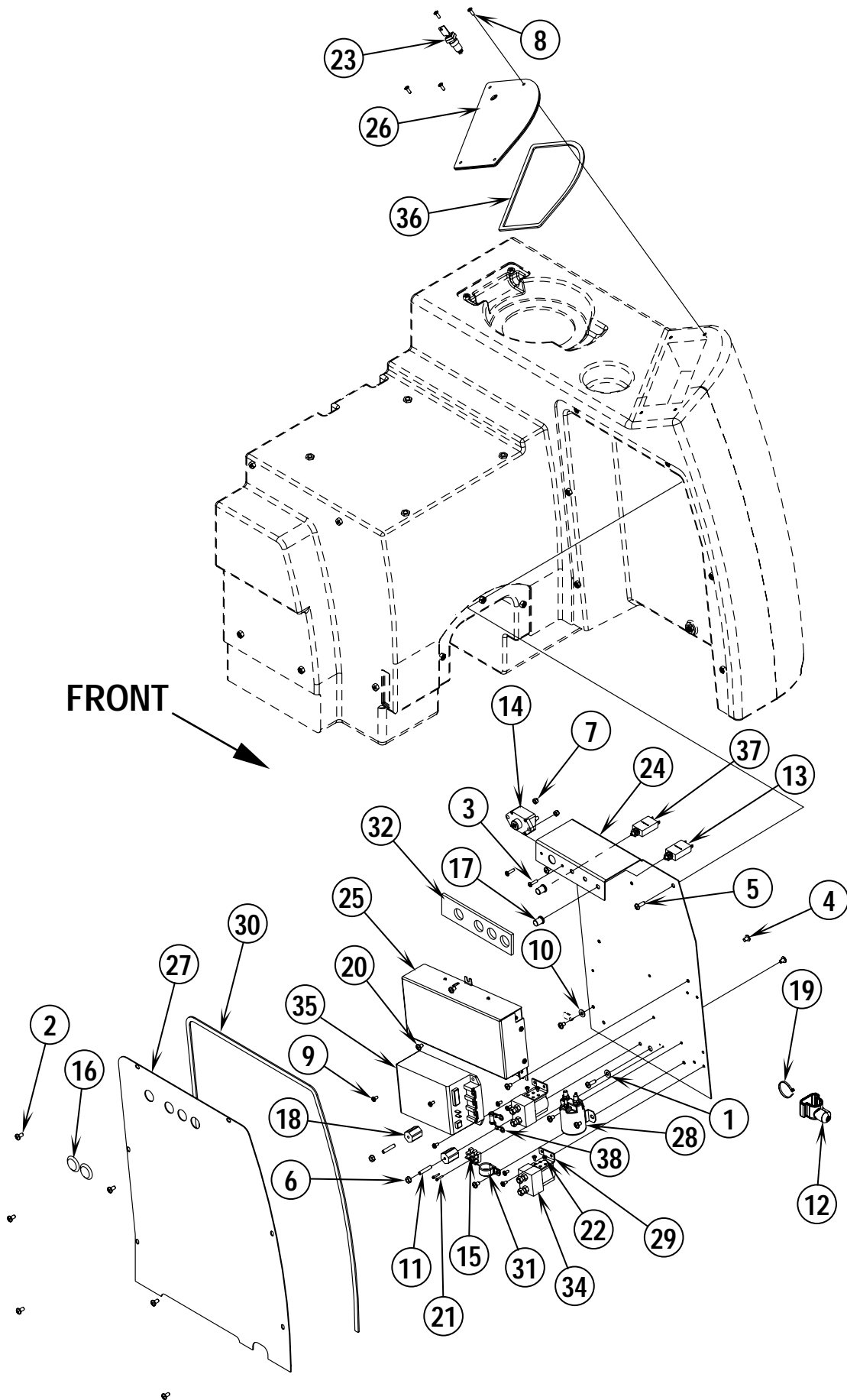
| Item | Ref. No. | Qty | Description  |
|------|----------|-----|--|
| 1    | 56014601 | 1   | Decal, Caution   |
| 2    | 56015370 | 4   | Decal, Tie Down  |
| 3    | 56016324 | 1   | Decal, Charger   |
| 4    | 56410165 | 2   | Plaque, Decal Logo (Non Battery Rollout & Nilfisk Models)        |
| 5    | 56416600 | 2   | Mat, Guard   |
| 6    | 56420057 | 1   | Grip Surface   |
| 7    | 56015596 | 1   | Decal, Battery Wiring Diagram                                    |
| 8    | 56016128 | 1   | Decal, Circuit Breaker (3800 / BR 1100)                          |
|      | 56015007 | 1   | Decal, Circuit Breaker (2042 / BR 1100C-XL)                      |
| 9    | 56016340 | 1   | Decal, Parking Brake   |
| 10   | 56016541 | 2   | Decal, BR 1100   |
|      | 56016582 | 2   | Decal, 3800  |
|      | 56015003 | 2   | Decal, 2042  |
|      | 56016574 | 2   | Decal, BR 1100C-XL   |
| 11   | 56016542 | 1   | Decal, BR 1100   |
|      | 56016588 | 1   | Decal, 3800  |
|      | 56015004 | 1   | Decal, 2042  |
|      | 56016592 | 1   | Decal, BR 1100C-XL   |
| 12   | 56016615 | 1   | Decal, Flow Control  |
| 13   | 56016617 | 1   | Decal, Disconnect  |
| 14   | 56409343 | 1   | Grip Surface (3800 / BR 1100)                                    |
|      | 56410339 | 1   | Grip Surface (2042 / BR 1100C-XL)                                |
| 15   | 56016551 | 1   | Decal, Electrical (3800 / BR 1100)                               |
|      | 56015015 | 1   | Decal, Electrical (2042 / BR 1100C-XL)                           |
| 16   | 56016421 | 1   | Decal, Logo 2 Inch   |
| 17   | 56002178 | 8   | Scr, Flt Phil 10-24 x .50 (Non Battery Rollout & Nilfisk Models) |
| 18   | 56016348 | 1   | Decal, Logo  |
| 19   | 56015005 | 1   | Decal, Worn Broom (2042 / BR 1100C-XL)                           |
| 20   | 56105186 | 2   | Decal, Warning (Battery Rollout Models)                          |

FRONT



|      |   |               |              |           |
|------|---|---------------|--------------|-----------|
| 00-7 | <b>CONTROL BOX</b>  | <b>BOOK E</b> |              |           |
| 04-2 | <b>Hydro-Retriever™ 3800, 2042 / BR 1100, 1100C, 1100C-XL</b> | <b>E</b>      | <b>8.6.1</b> | <b>33</b> |

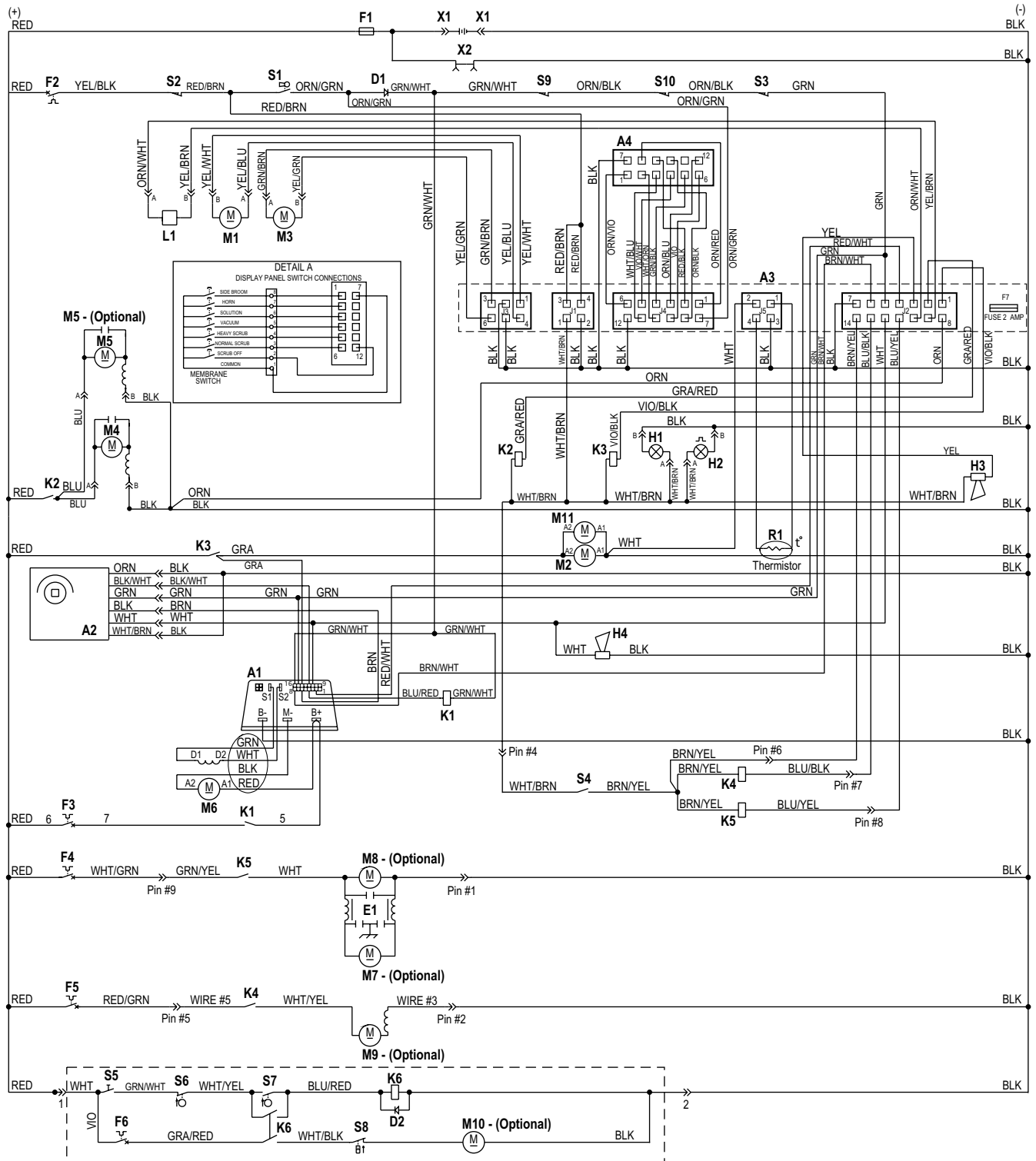
| Item | Ref. No. | Qty | Description   |
|------|----------|-----|---|
| 1    | 56002145 | 6   | Scr, Pan Phil 1/4-20 x .50                                |
| 2    | 56002462 | 4   | Scr, Pan Phil 1/4-20 x .38                                |
| 3    | 56002561 | 4   | Nut, Hex W/Shprf 1/4-20                                   |
| 4    | 56002701 | 1   | Nut, Hex Nyl Loc 5/16-18                                  |
| 5    | 56002708 | 4   | Nut, Hex Nyl Loc 1/4-20                                   |
| 6    | 56002786 | 2   | Scr, Pan Phil1/4-20 x 1.50                                |
| 7    | 56002997 | 2   | Scr, Pan Phil1/4-20 x 1.75                                |
| 8    | 56003036 | 1   | Scr, Hex Hd Loc 10-24 x .50                               |
| 9    | 56003268 | 2   | Ring, Ret Ext Type E Reinf. 0.25 Dia                      |
| 10   | 56009001 | 1   | Wsh, Bowed .516 x .906 x .008                             |
| 11   | 56009091 | 2   | Scr, Pan Phil Loc 1/4-20 x 1.50                           |
| 12   | 56009096 | 1   | Wsh, Flt .193 x .875 x .060                               |
| 13   | 56009203 | 2   | Stud, 1/4-20  |
| 14   | 56370762 | 2   | Bearing, Thrust   |
| 15   | 56409444 | 1   | Connector Assembly  |
| 16   | 56469858 | 2   | Electrical Mount  |
| 17   | 56409948 | 1   | Side Panel, Control Box                                   |
| 18   | 56409955 | 1   | Control Box Welded  |
| 19   | 56409956 | 1   | Solution Handle   |
| 20   | 56409959 | 1   | Solution Control Rod                                      |
| 21   | 56410036 | 1   | Knob, Disconnect  |
| 22   | 56410038 | 1   | Bracket, Interlock Switch                                 |
| 23   | 56410039 | 1   | Switch Assembly N.C.                                      |
| 24   | 56410044 | 1   | Fuse, 250 Amp   |
| 25   | 56410057 | 2   | Bushing, .26 ID x .50 OD                                  |
| 26   | 56410059 | 1   | Knock Off Plate   |
| 27   | 56410060 | 1   | Rod, Disconnect   |
| 28   | 56410120 | 1   | Charger Plug Assembly                                     |
| 29   | 56002098 | 5   | Wsh Flt SAE 1/4   |
| 30   | 56410142 | 1   | Fuse Cover  |
| 31   | 56410146 | 1   | Washer, Nylon   |
| 32   | 56002507 | 2   | Scr, Pan Phil 1/4-20 x .75                                |
| 33   | 56410495 | 1   | Cable Assembly, Connector <b>(Battery Rollout Models)</b> |



|      |   |               |              |           |
|------|---|---------------|--------------|-----------|
| 00-7 | <b>ELECTRICAL SYSTEM</b>                                      | <b>BOOK E</b> |              |           |
| 04-2 | <b>Hydro-Retriever™ 3800, 2042 / BR 1100, 1100C, 1100C-XL</b> | <b>E</b>      | <b>8.6.1</b> | <b>35</b> |

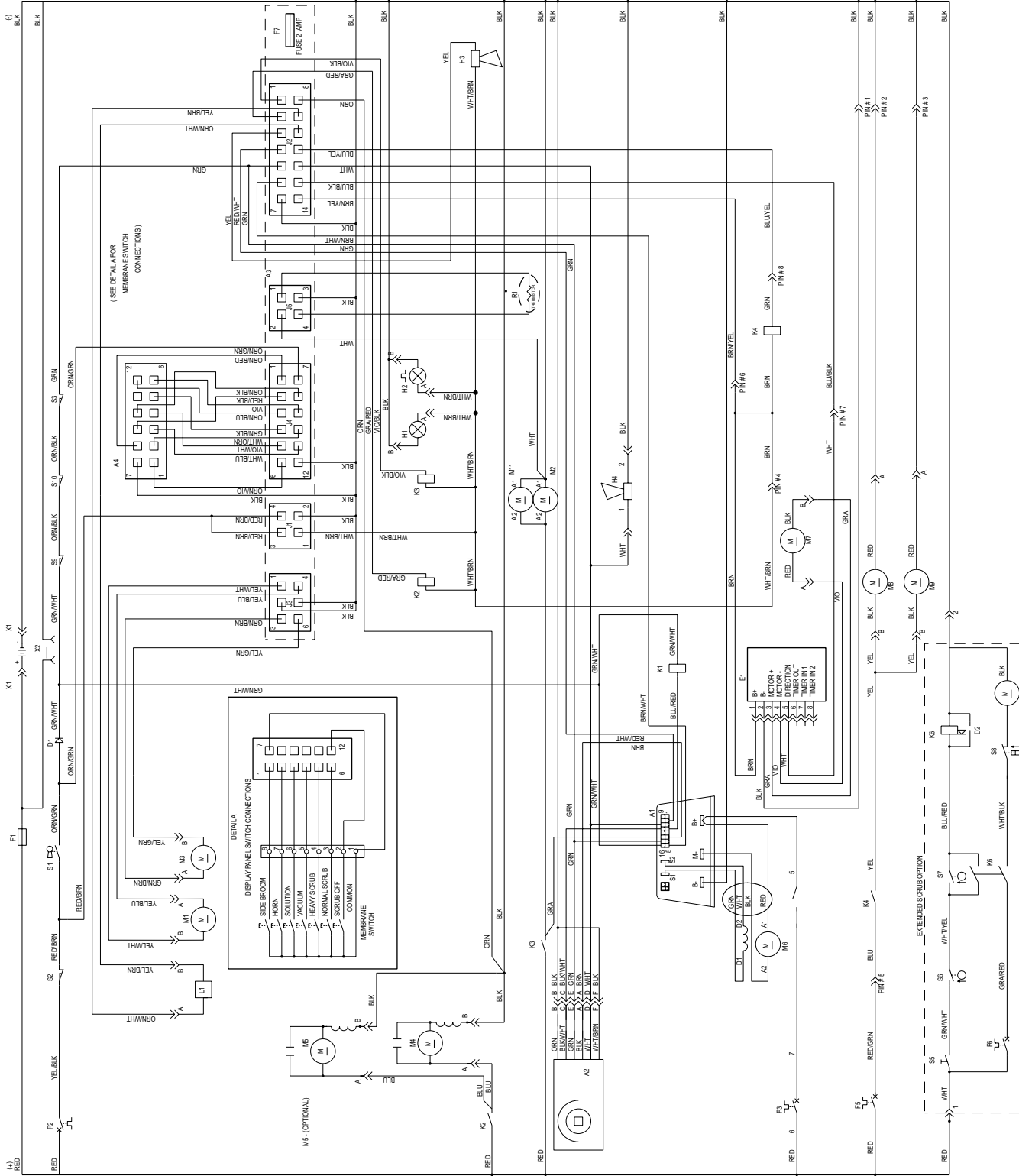
| Item | Ref. No. | Qty | Description  |
|------|----------|-----|--|
| 1    | 56002098 | 3   | Wsh, Flt SAE 1/4   |
| 2    | 56002145 | 6   | Scr, Pan Phil 1/4-20 x .50   |
| 3    | 56002192 | 2   | Scr, Pan Phil 10-24 x .75  |
| 4    | 56002462 | 2   | Scr, Pan Phil 1/4-20 x .38   |
| 5    | 56002507 | 3   | Scr, Pan Phil 1/4-20 x .75   |
| 6    | 56002561 | 2   | Nut, Hex W/Shprf 1/4-20  |
| 7    | 56002768 | 2   | Nut, Hex Nyl Loc 10-24   |
| 8    | 56002831 | 4   | Scr, Pan Phil Blk 10-24 x .50  |
| 9    | 56009030 | 7   | Scr, Pan Phil Thd Form 10-24 x .38   |
| 10   | 56009064 | 1   | Wsh, Int Shprf 1/4   |
| 11   | 56009203 | 2   | Stud, 1/4-20   |
| 12   | 56372673 | 12  | Boot, Battery Post   |
| 13   | 56387316 | 1   | Circuit Breaker, 10Amp   |
| 14   | 56409230 | 1   | Circuit Breaker, 80Amp   |
| 15   | 56409240 | 1   | Diode Assembly   |
| 16   | 56481906 | 2   | Plug, Button   |
| 17   | 56459367 | 1   | Boot, Reset Button <b>(2 on 2042 / BR 1100C-XL)</b>                                    |
| 18   | 56469858 | 2   | Electrical Mount   |
| 19   | 56478246 | 12  | Tie, Cable   |
| 20   | 56003603 | 7   | Scr, Pan Phil Thd Form 1/4-20 x .38  |
| 21   | 56009169 | 2   | Scr, Pan Phil Thd Form 4-40 x .62  |
| 22   | 56009386 | 4   | Scr, Pan Phil M4 x 6   |
| 23   | 56396188 | 1   | Switch, Key  |
| 24   | 56409968 | 1   | Panel, Electrical <b>(Advance before SN1517141 / Nilfisk before SN1517159) TSB 792</b> |
|      | 56410378 | 1   | Panel, Electrical <b>(Advance after SN1517140 / Nilfisk after SN1517158) TSB 792</b>   |
| 25   | 56410343 | 1   | Control Assembly <b>TSB 792</b>  |
| 26   | 56410079 | 1   | Display Panel Assembly <b>(3800 / BR 1100)</b>   |
|      | 56410332 | 1   | Display Panel Assembly <b>(2042 / BR 1100C-XL)</b>                                     |
| 27   | 56410085 | 1   | Panel  |
| 28   | 56395450 | 1   | Contactora, 36VDC <b>TSB 792</b>   |
| 29   | 56410088 | 2   | Bracket, Contactora  |
| 30   | 56410089 | 1   | Gasket, Elect. Cover   |
| 31   | 56410097 | 1   | Clamp, P   |
| 32   | 56410098 | 1   | Gasket   |
| 33   | 56410112 | 1   | Harness, Main  |
| 34   | 56454827 | 2   | Contactora Assembly  |
| 35   | 56410075 | 1   | Controller, 36VDC  |
| 36   | 56410156 | 1   | Gasket   |
| 37   | 56454538 | 1   | Circuit Breaker, 15 Amp <b>(2042 / BR 1100C-XL only)</b>                               |
| 38   | 56454807 | 1   | Resistor Assy  |
| *    | 56409485 | 5   | Cable, Battery   |
| *    | 56410112 | 1   | Harness, Main <b>(Advance before SN1517141 / Nilfisk before SN1517159) TSB 792</b>     |
| *    | 56410379 | 1   | Harness, Main <b>(Advance after SN1517140 / Nilfisk after SN1517158) TSB 792</b>       |
| *    | 56410113 | 1   | Cable Assembly   |
| *    | 56410114 | 1   | Cable Assembly   |
| *    | 56410115 | 1   | Cable Assembly   |
| *    | 56410116 | 1   | Cable Assembly <b>(Advance before SN1517141 / Nilfisk before SN1517159) TSB 792</b>    |
| *    | 56410377 | 1   | Cable Assembly <b>(Advance after SN1517140 / Nilfisk after SN1517158) TSB 792</b>      |
| *    | 56410117 | 1   | Cable Assembly   |
| *    | 56410118 | 1   | Cable Assembly   |
| *    | 56410119 | 1   | Cable Assembly   |
| *    | 56410122 | 1   | Cable Assembly   |
| *    | 56410123 | 1   | Cable Assembly   |
| *    | 56410222 | 1   | Cable Ground   |
| *    | 56398090 | 2   | Clamp, Battery Terminal <b>(BR 1100 only)</b>  |

\* = Not Shown



|      |   |               |              |           |
|------|---|---------------|--------------|-----------|
| 00-7 | <b>WIRING DIAGRAM (3800 / BR 1100)</b>                        | <b>BOOK E</b> |              |           |
| 04-2 | <b>Hydro-Retriever™ 3800, 2042 / BR 1100, 1100C, 1100C-XL</b> | <b>E</b>      | <b>8.6.1</b> | <b>37</b> |

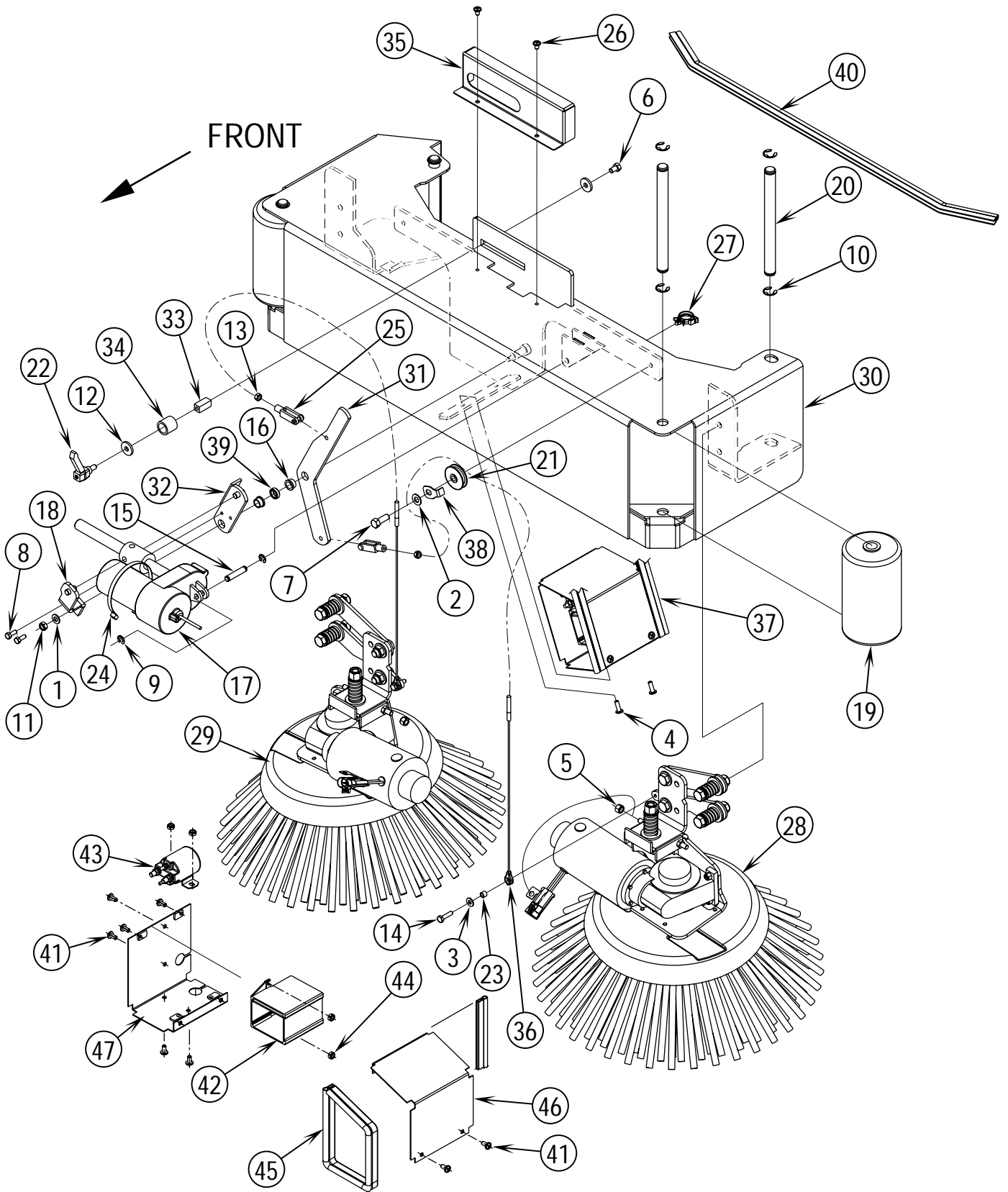
| Item | Ref. No. | Qty | Description   | Item | Ref. No. | Qty | Description             |
|------|----------|-----|---|------|----------|-----|-------------------------|
| A1   | 56410075 | 1   | Speed Controller  | X1   | 56409444 | 1   | Battery Disconnect      |
| A2   | 56416169 | 1   | Throttle Control (Electronic Throttle)                    |      |          |     | (Connector Assembly)    |
| A3   | 56410343 | 1   | Main Control (Control Assembly) <b>TSB 792</b>            | X2   | 56410120 | 1   | Charger Connector       |
| A4   | 56410079 | 1   | Display Control (Display Panel Assembly)                  |      |          |     | (Charger Plug Assembly) |
| BT   | N/A      | 1   | 36Vdc Battery   |      |          |     |                         |
| D1   | 56409228 | 1   | Diode   |      |          |     |                         |
| D2   | N/A      | 1   | Diode   |      |          |     |                         |
| E1   | 56409712 | 1   | RFI Filter  |      |          |     |                         |
| F1   | 56410044 | 1   | Fuse, 250 Amp (Main)                                      |      |          |     |                         |
| F2   | 56387316 | 1   | Circuit Breaker, 10 Amp (Control Circuit)                 |      |          |     |                         |
| F3   | 56409230 | 1   | Circuit Breaker, 80 Amp (Wheel Drive)                     |      |          |     |                         |
| F4   | 56454538 | 1   | Circuit Breaker, 15 Amp (Optional Pre-Sweep)              |      |          |     |                         |
| F5   | 56454538 | 1   | Circuit Breaker, 15 Amp (Dust Control, Optional)          |      |          |     |                         |
| F6   | 56228414 | 1   | Circuit Breaker, 3.5 Amp (Extended Scrub, Optional)       |      |          |     |                         |
| F7   | N/A      | 1   | Horn Fuse, 2 Amp (Located on A3 Circuit Board)            |      |          |     |                         |
| H1   | 56409239 | 1   | Head Light (Optional)                                     |      |          |     |                         |
| H2   | 56482463 | 1   | Strobe Light (Optional)                                   |      |          |     |                         |
| H3   | 56482365 | 1   | Horn  |      |          |     |                         |
| H4   | 56409232 | 1   | Back-Up Alarm (Optional)                                  |      |          |     |                         |
| K1   | 56454827 | 1   | Contactors, Main  |      |          |     |                         |
| K2   | 56395450 | 1   | Contactors, Vac Motor <b>TSB 792</b>                      |      |          |     |                         |
| K3   | 56454827 | 1   | Contactors, Brush Motor                                   |      |          |     |                         |
| K4   | 56395450 | 1   | Contactors, Dust Control (Optional) <b>TSB 795</b>        |      |          |     |                         |
| K5   | 56395450 | 1   | Contactors, Main And Side Broom (Optional) <b>TSB 795</b> |      |          |     |                         |
| K6   | 56261219 | 1   | Contactors, Pump (Optional)                               |      |          |     |                         |
| L1   | 56409154 | 1   | Solenoid Valve  |      |          |     |                         |
| M1   | 56393303 | 1   | Actuator Motor Brush Up/Dn                                |      |          |     |                         |
| M2   | 56409912 | 1   | Scrub Brush Motor ( <b>disc</b> )                         |      |          |     |                         |
|      | 56410359 | 1   | Scrub Brush Motor ( <b>cyl.</b> )                         |      |          |     |                         |
| M3   | 56393303 | 1   | Actuator Motor Squeegee Up/Dn                             |      |          |     |                         |
| M4   | 56410065 | 1   | Vacuum Motor  |      |          |     |                         |
| M5   | 56410065 | 1   | Vacuum Motor (Optional)                                   |      |          |     |                         |
| M6   | 56410134 | 1   | Wheel Drive Motor   |      |          |     |                         |
| M7   | 56409713 | 1   | Side Broom Motor (with RFI filter) (Optional)             |      |          |     |                         |
|      | 56469530 | 1   | Side Broom Motor (without RFI filter) (Optional)          |      |          |     |                         |
| M8   | 56261210 | 1   | Main Broom Motor (Optional)                               |      |          |     |                         |
| M9   | 56410262 | 1   | Vac. Motor Dust Control (Optional)                        |      |          |     |                         |
| M10  | 56409611 | 1   | Pump Motor (Optional)                                     |      |          |     |                         |
| M11  | 56410359 | 1   | Scrub Brush Motor ( <b>cyl.</b> )                         |      |          |     |                         |
| R1   | 56410113 | 1   | Thermistor  |      |          |     |                         |
| S1   | 56396188 | 1   | Main Switch   |      |          |     |                         |
| S2   | 56410039 | 1   | Charger Interlock Switch                                  |      |          |     |                         |
| S3   | 56409613 | 1   | Switch, Seat  |      |          |     |                         |
| S4   | N/A      | 1   | Pre-Sweep Switch (Optional)                               |      |          |     |                         |
| S5   | 56393312 | 1   | Extended Scrub Switch (Optional)                          |      |          |     |                         |
| S6   | 56388167 | 1   | Switch, Pump Stop (Optional) (Mercury Switch)             |      |          |     |                         |
| S7   | 56388167 | 1   | Switch, Pump Start (Optional) (Mercury Switch)            |      |          |     |                         |
| S8   | 56503014 | 1   | Switch, Pressure (Optional)                               |      |          |     |                         |
| S9   | 56459931 | 1   | Switch, Interlock ( <b>Battery Rollout Models</b> )       |      |          |     |                         |
| S10  | 56459931 | 1   | Switch, Interlock ( <b>Battery Rollout Models</b> )       |      |          |     |                         |





|      |   |               |              |           |
|------|---|---------------|--------------|-----------|
| 00-7 | <b>WIRING DIAGRAM (2042 / BR 1100C-XL)</b>                    | <b>BOOK E</b> |              |           |
| 04-2 | <b>Hydro-Retriever™ 3800, 2042 / BR 1100, 1100C, 1100C-XL</b> | <b>E</b>      | <b>8.6.1</b> | <b>39</b> |

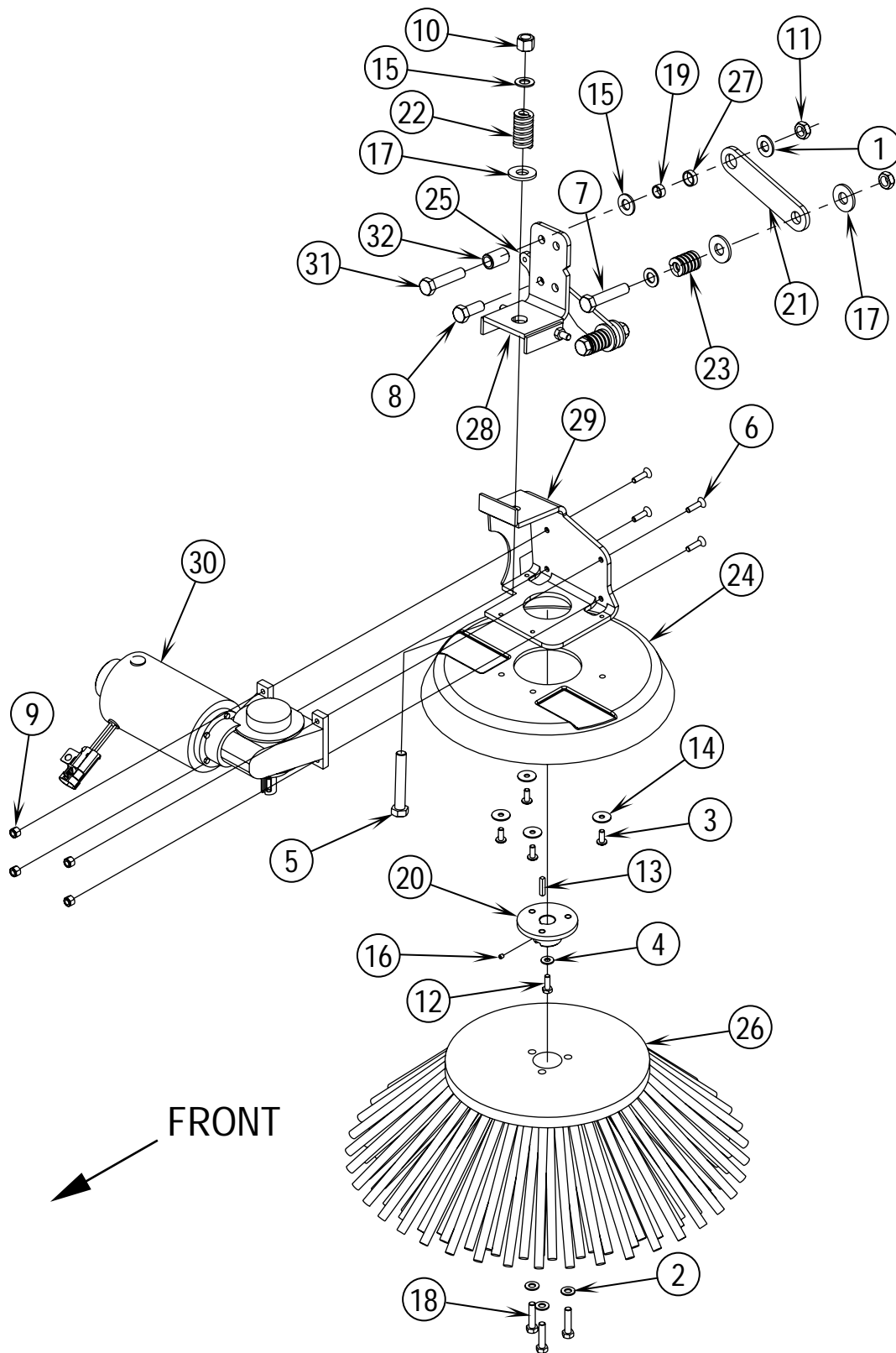
| Item | Ref. No. | Qty | Description   | Item | Ref. No. | Qty | Description                                  |
|------|----------|-----|---|------|----------|-----|--|
| A1   | 56410075 | 1   | Speed Controller                                    | X1   | 56409444 | 1   | Battery Disconnect<br>(Connector Assembly)   |
| A2   | 56416169 | 1   | Throttle Control (Electronic Throttle)              | X2   | 56410120 | 1   | Charger Connector<br>(Charger Plug Assembly) |
| A3   | 56410343 | 1   | Main Control (Control Assembly) <b>TSB 792</b>      |      |          |     |  |
| A4   | 56410332 | 1   | Display Control (Display Panel Assembly)            |      |          |     |  |
| BT   | N/A      | 1   | 36Vdc Battery                                       |      |          |     |  |
| D1   | 56409228 | 1   | Diode   |      |          |     |  |
| D2   | N/A      | 1   | Diode   |      |          |     |  |
| E1   | 56392001 | 1   | Actuator Module                                     |      |          |     |  |
| F1   | 56410044 | 1   | Fuse, 250 Amp (Main)                                |      |          |     |  |
| F2   | 56387316 | 1   | Circuit Breaker, 10 Amp (Control Circuit)           |      |          |     |  |
| F3   | 56409230 | 1   | Circuit Breaker, 80 Amp (Wheel Drive)               |      |          |     |  |
| F5   | 56454538 | 1   | Circuit Breaker, 15 Amp (Side Brooms)               |      |          |     |  |
| F6   | 56228414 | 1   | Circuit Breaker, 3.5 Amp (Extended Scrub, Optional) |      |          |     |  |
| F7   | N/A      | 1   | Horn Fuse, 2Amp (Located on A3 Circuit Board)       |      |          |     |  |
| H1   | 56409239 | 1   | Head Light (Optional)                               |      |          |     |  |
| H2   | 56482463 | 1   | Strobe Light (Optional)                             |      |          |     |  |
| H3   | 56482365 | 1   | Horn  |      |          |     |  |
| H4   | 56409232 | 1   | Back-Up Alarm (Optional)                            |      |          |     |  |
| K1   | 56454827 | 1   | Contactor, Wheel Drive                              |      |          |     |  |
| K2   | 56395450 | 1   | Contactor, Vac Motor <b>TSB 792</b>                 |      |          |     |  |
| K3   | 56454827 | 1   | Contactor, Brush Motor                              |      |          |     |  |
| K4   | 56395450 | 1   | Contactor, Side Brooms                              |      |          |     |  |
| K6   | 56261219 | 1   | Contactor, Pump (Optional)                          |      |          |     |  |
| L1   | 56409154 | 1   | Solenoid Valve                                      |      |          |     |  |
| M1   | 56393303 | 1   | Actuator Motor Brush Up/Dn                          |      |          |     |  |
| M2   | 56410359 | 1   | Scrub Brush Motor                                   |      |          |     |  |
| M3   | 56393303 | 1   | Actuator Motor Squeegee Up/Dn                       |      |          |     |  |
| M4   | 56410065 | 1   | Vacuum Motor  |      |          |     |  |
| M5   | 56410065 | 1   | Vacuum Motor (Optional)                             |      |          |     |  |
| M6   | 56410134 | 1   | Wheel Drive Motor                                   |      |          |     |  |
| M7   | 56409713 | 1   | Actuator Motor Side Brooms Up/Dn                    |      |          |     |  |
| M8   | 56410307 | 1   | Side Broom Motor, Right                             |      |          |     |  |
| M9   | 56410352 | 1   | Side Broom Motor, Left                              |      |          |     |  |
| M10  | 56409611 | 1   | Pump Motor (Optional)                               |      |          |     |  |
| M11  | 56410359 | 1   | Scrub Brush Motor                                   |      |          |     |  |
| R1   | 56410113 | 1   | Thermistor  |      |          |     |  |
| S1   | 56396188 | 1   | Main Switch   |      |          |     |  |
| S2   | 56410039 | 1   | Charger Interlock Switch                            |      |          |     |  |
| S3   | 56409613 | 1   | Switch, Seat  |      |          |     |  |
| S5   | 56393312 | 1   | Extended Scrub Switch (Optional)                    |      |          |     |  |
| S6   | 56388167 | 1   | Switch, Pump Stop (Optional) (Mercury Switch)       |      |          |     |  |
| S7   | 56388167 | 1   | Switch, Pump Start (Optional) (Mercury Switch)      |      |          |     |  |
| S8   | 56503014 | 1   | Switch, Pressure (Optional)                         |      |          |     |  |
| S9   | 56459931 | 1   | Switch, Interlock ( <b>Battery Rollout Models</b> ) |      |          |     |  |
| S10  | 56459931 | 1   | Switch, Interlock ( <b>Battery Rollout Models</b> ) |      |          |     |  |



|      |   |               |              |           |
|------|---|---------------|--------------|-----------|
| 00-7 | <b>SWEEP SYSTEM (2042 / BR 1100C-XL)</b>                      | <b>BOOK E</b> |              |           |
| 02-5 | <b>Hydro-Retriever™ 3800, 2042 / BR 1100, 1100C, 1100C-XL</b> | <b>E</b>      | <b>8.6.1</b> | <b>41</b> |

| Item | Ref. No. | Qty | Description                              |
|------|----------|-----|--|
| 1    | 56001939 | 1   | Wsh, Flt SAE 5/16                        |
| 2    | 56002063 | 2   | Wsh, Flt SAE 3/8                         |
| 3    | 56002098 | 2   | Wsh, Flt SAE 1/4                         |
| 4    | 56002507 | 2   | Scr, Pan Phil 1/4-20 x .75               |
| 5    | 56002701 | 2   | Nut, Hex Nyl Loc 5/16-18                 |
| 6    | 56002923 | 1   | Scr, Hex Hd Loc 5/16-18 x .50            |
| 7    | 56002947 | 2   | Scr, Hex Hd Loc 3/8-16 x 1.00            |
| 8    | 56003174 | 2   | Scr, Hex Thd To Hd M6-1.00 x 16mm        |
| 9    | 56003262 | 2   | Ring, Ret Ext Type E .38 Dia.            |
| 10   | 56003266 | 8   | Ring, Ret Ext Type E .38 Dia.            |
| 11   | 56003389 | 1   | Nut, Hex Nyl Loc M8-1.25                 |
| 12   | 56009057 | 2   | Wsh, Flt Harden .344 x 1.000 x .120/.135 |
| 13   | 56009142 | 2   | Nut, Hex Machine 1/4-28                  |
| 14   | 56009182 | 2   | Scr, Hex Thd Form 1/4-20 x 1.00          |
| 15   | 56388672 | 1   | Pin                                      |
| 16   | 56185264 | 2   | Bearing, Flange                          |
| 17   | 56393303 | 1   | Actuator, Motor                          |
| *    | 56470433 | 1   | Carbon Brush Kit for 56393303            |
| *    | 56393790 | 2   | Replacement Limit Switch                 |
| *    | 56388520 | 1   | Replacement Actuator Nut                 |
| 18   | 56407110 | 1   | Half Yoke Weldment                       |
| 19   | 56409335 | 2   | Bumper                                   |
| 20   | 56409336 | 4   | Pin                                      |
| 21   | 56416546 | 2   | Shielded Pulley                          |
| 22   | 56416597 | 1   | Handle, Adjustable                       |
| 23   | 56453849 | 2   | Bushing .26 x .37 x .28                  |
| 24   | 56477613 | 1   | Tie, Cable                               |
| 25   | 56482542 | 2   | Clevis Assy                              |
| 26   | 56003603 | 2   | Scr, Pan Phil Thd Form 1/4-20 x .38      |
| 27   | 56393471 | 1   | Clip, Conduit                            |
| 28   | 56410305 | 1   | Left Side Broom Assy                     |
| 29   | 56410306 | 1   | Right Side Broom Assy                    |
| 30   | 56410309 | 1   | Sweeper Frame Weld't.                    |
| 31   | 56410318 | 1   | Bar, Pivot                               |
| 32   | 56410319 | 1   | Arm Weld't. <b>TSB 814</b>               |
| 33   | 56410321 | 1   | Nut, Clamp                               |
| 34   | 56410322 | 1   | Spacer                                   |
| 35   | 56410323 | 1   | Cover                                    |
| 36   | 56410326 | 2   | Cable, Side Broom                        |
| 37   | 56410328 | 1   | Electrical Box Assy( <b>#41-47</b> )     |
| 38   | 56410342 | 2   | Guide, Cable                             |
| 39   | 56481456 | 1   | Bushing                                  |
| 40   | 56410368 | 1   | Trim Seal                                |
| 41   | 56009062 | 8   | Scr, Pan Phil 1/4-20 x .50               |
| 42   | 56392001 | 1   | Control Module Assy                      |
| 43   | 56395450 | 1   | Contactora, 36VDC                        |
| 44   | 56002840 | 2   | Nut, Hex Nyl Loc-Thin 1/4-20             |
| 45   | 56410327 | 2   | Trim Seal                                |
| 46   | 56410329 | 1   | Cover Panel                              |
| 47   | 56410333 | 1   | Panel Weld't.                            |
| *    | 56410340 | 1   | Wiring Harness                           |

\* = Not Shown



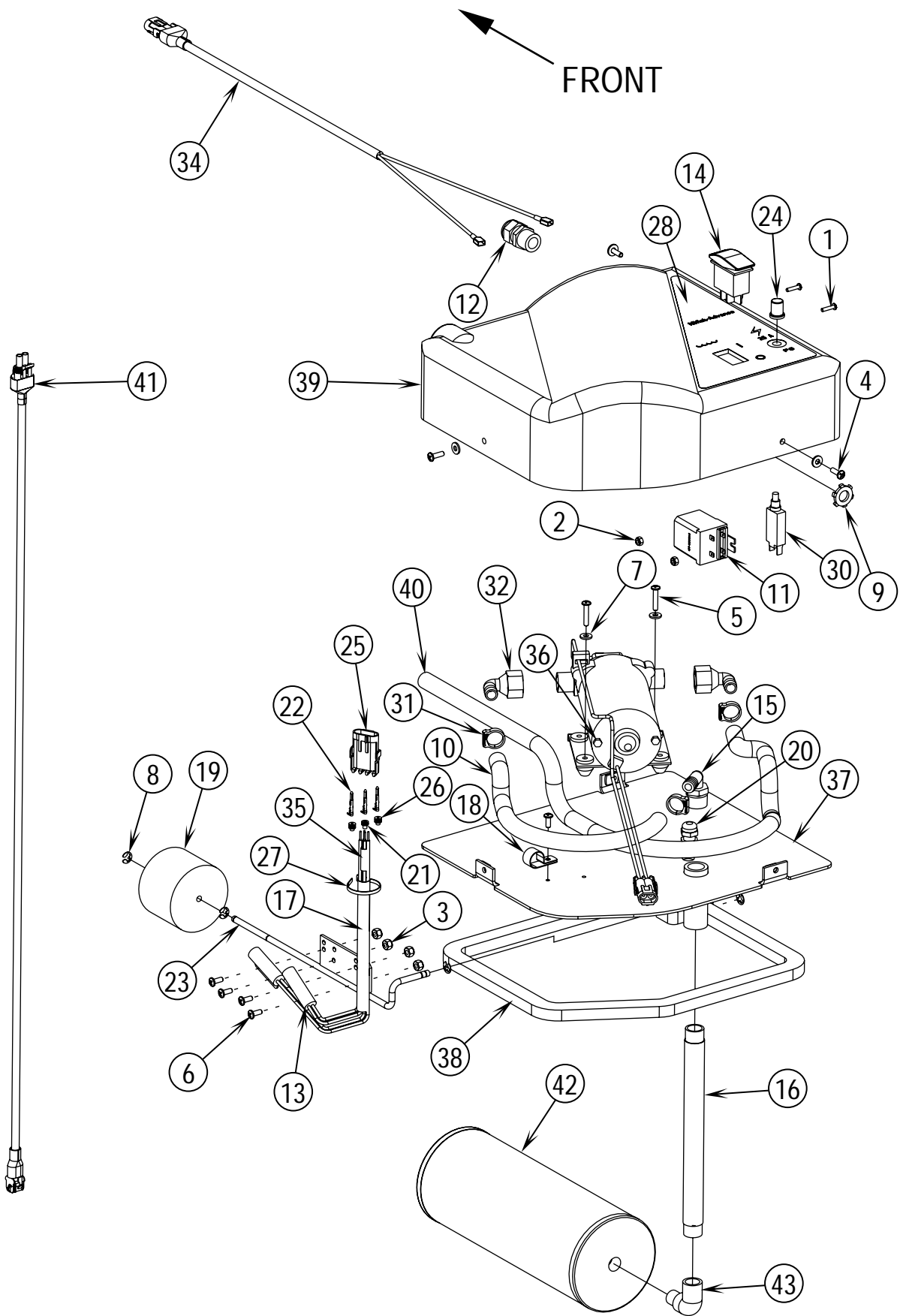
|      |   |               |              |           |
|------|---|---------------|--------------|-----------|
| 00-7 | <b>SIDE BROOM ASSEMBLIES (2042 / BR 1100C-XL)</b>             | <b>BOOK E</b> |              |           |
| 02-4 | <b>Hydro-Retriever™ 3800, 2042 / BR 1100, 1100C, 1100C-XL</b> | <b>E</b>      | <b>8.6.1</b> | <b>43</b> |

| Item | Ref. No. | Qty | Description                                 |
|------|----------|-----|---|
|      | 56410305 | 1   | Left Side Broom Assy                        |
|      | 56410306 | 1   | Right Side Broom Assy                       |
| 1    | 56001879 | 4   | Wsh, Flt SAE 1/2                            |
| 2    | 56001939 | 3   | Wsh, Flt SAE 5/16                           |
| 3    | 56002066 | 4   | Scr, Pan Phil 1/4-20 x .62                  |
| 4    | 56002098 | 1   | Wsh, Flt SAE 1/4                            |
| 5    | 56002355 | 1   | Scr, Hex Hd 1/2-13 x 3.00                   |
| 6    | 56002457 | 4   | Scr, Flt Soc 1/4-20 x 1.00                  |
| 7    | 56002533 | 2   | Scr, Hex Hd 1/2-13 x 2.50                   |
| 8    | 56002665 | 1   | Scr, Hex Thd To Hd 1/2-13 x 1.25            |
| 9    | 56002708 | 4   | Nut, Hex Nyl Loc 1/4-20                     |
| 10   | 56002770 | 1   | Nut, Hex Nyl Loc 1/2-13                     |
| 11   | 56002843 | 4   | Nut, Hex Nyl Loc-Thin 1/2-13                |
| 12   | 56002948 | 1   | Scr, Hex Hd Loc 1/4-20 x .75                |
| 13   | 56003239 | 1   | Key, Sq .19 x 1.00                          |
| 14   | 56009002 | 4   | Wsh, Flt .266 x .906 x .060                 |
| 15   | 56009017 | 3   | Wsh, Flt Harden .516 x .938 x .750          |
| 16   | 56009084 | 1   | Scr, Soc Set Loc 10-24 x .19                |
| 17   | 56009115 | 5   | Wsh, Flt Harden .594 x 1.375 x .134         |
| 18   | 56009256 | 3   | Scr, Hex Hd 5/16-18 x 1.38                  |
| 19   | 56365030 | 2   | Bushing .50 x .62 x .27                     |
| 20   | 56416023 | 1   | Hub   |
| 21   | 56416499 | 1   | Link, Side Broom                            |
| 22   | 56416507 | 1   | Spring, Die                                 |
| 23   | 56416508 | 2   | Spring, Die                                 |
| 24   | 56416538 | 1   | Broom Guard                                 |
| 25   | 56416547 | 1   | Link, Side Broom                            |
| 26   | 56462252 | 1   | Broom, Side ( <b>standard</b> )             |
| **   | 56505629 | 1   | Broom, Side, White Poly ( <b>optional</b> ) |
| 27   | 56478781 | 2   | Bearing, Sleeve                             |
| 28   | 56410291 | 1   | Bracket Weld't.                             |
| 29   | 56410299 | 1   | Left Gearmotor Mount Weld't.                |
| *    | 56410300 | 1   | Right Gearmotor Mount Weld't.               |
| 30   | 56410352 | 1   | Left Gearmotor Assy                         |
| *    | 56410307 | 1   | Right Gearmotor Assy                        |
| *    | 56416608 | A/R | Carbon Brush (2 per motor)                  |
| 31   | 56001920 | 1   | Scr, Hex Hd 1/2-13 x 2.25                   |
| 32   | 56440698 | 1   | Bushing .51 x .75 x 1.10                    |

\* = Not Shown

\*\* = Optional

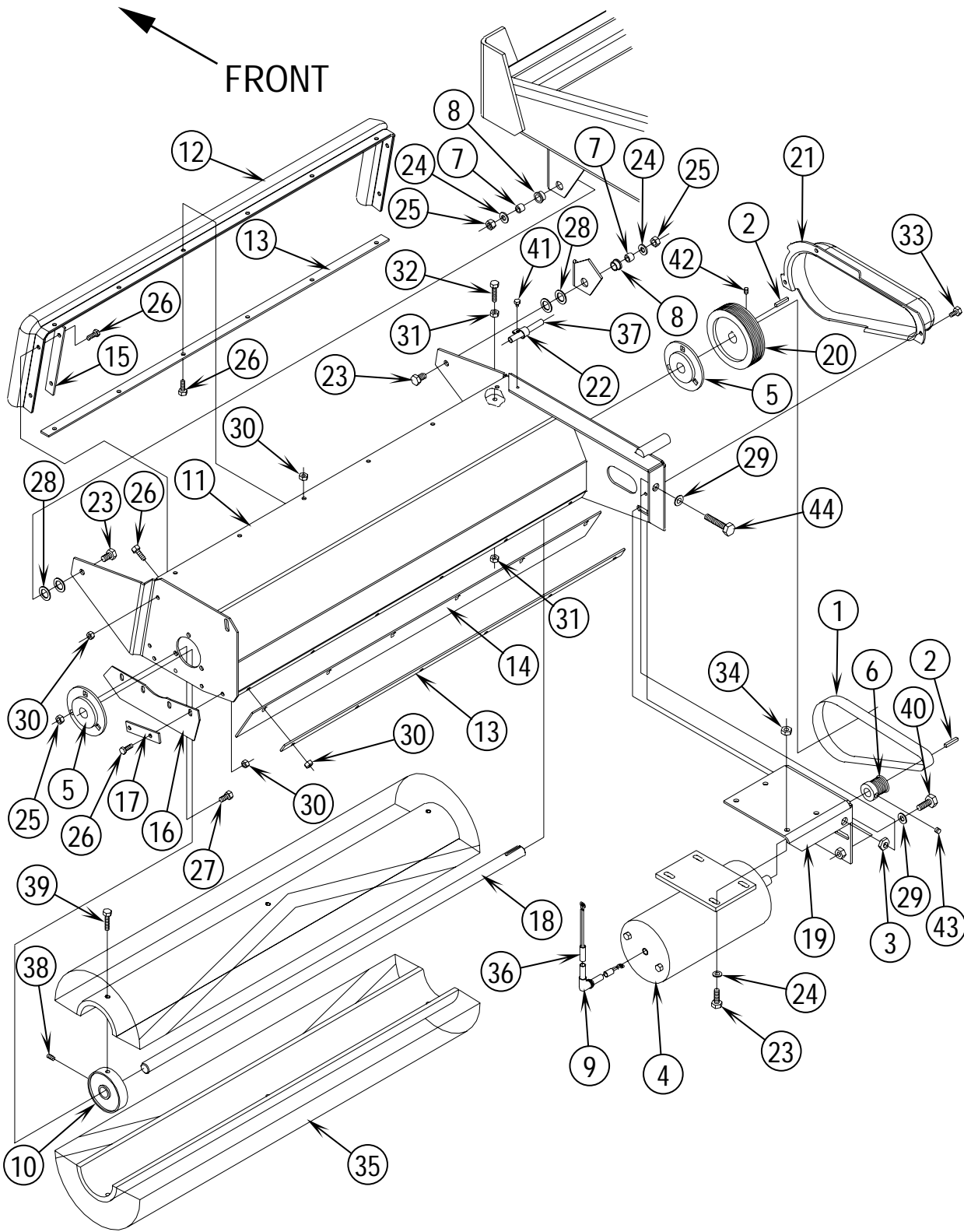
**NOTE:** All quantities are for one side broom assembly.



|      |   |               |              |           |
|------|---|---------------|--------------|-----------|
| 00-7 | <b>EXTENDED SCRUB KIT</b>                                     | <b>BOOK E</b> |              |           |
| 02-1 | <b>Hydro-Retriever™ 3800, 2042 / BR 1100, 1100C, 1100C-XL</b> | <b>E</b>      | <b>8.6.1</b> | <b>45</b> |

| Item | Ref. No. | Qty | Description                          |
|------|----------|-----|--------------------------------------|
|      | 56410196 | 1   | Extended Scrub Kit                   |
| 1    | 56002005 | 2   | Scr, Pan Phil 6-32 x .62             |
| 2    | 56002830 | 2   | Nut, Hex Nyl Loc 6-32                |
| 3    | 56002836 | 4   | Nut, Hex Nyl SS 10-24                |
| 4    | 56002896 | 3   | Scr, Pan Phil SS 10-24 x .62         |
| 5    | 56002898 | 2   | Scr, Pan Phil SS 10-24 x 1.00        |
| 6    | 56002900 | 5   | Scr, Pan Phil SS 10-24 x .50         |
| 7    | 56002916 | 5   | Wsh, Flt SAE SS #10                  |
| 8    | 56003268 | 4   | Ring, Ret Ext Type E Reinf. .25 Dia. |
| 9    | 56009095 | 1   | Nut, Conduit Lock 1/2-14             |
| 10   | 56260930 | 1   | Hose, Nylon Braid                    |
| 11   | 56261219 | 1   | Relay                                |
| 12   | 56323135 | 1   | Strain Relief                        |
| 13   | 56388167 | 2   | Switch, Encl Mercury                 |
| 14   | 56393312 | 1   | Switch, Rocker                       |
| 15   | 56409152 | 1   | Barb, 90 Elbow 1/2 x 1/2 NPT         |
| 16   | 56409226 | 1   | Nipple, 1/4-18                       |
| 17   | 56409608 | 1   | Sleeve, R.S.                         |
| 18   | 56442003 | 1   | Clamp, P                             |
| 19   | 56456023 | 1   | Float, Foam                          |
| 20   | 56456027 | 1   | Strain Relief                        |
| 21   | 56459263 | 1   | Seal, Weather Pack                   |
| 22   | 56459264 | 3   | Terminal, Weather Pack, Male         |
| 23   | 56459320 | 1   | Rod Weldment                         |
| 24   | 56459367 | 1   | Boot, Reset Button                   |
| 25   | 56462072 | 1   | Connector, Male                      |
| 26   | 56462074 | 2   | Seal, Weather Pack                   |
| 27   | 56478246 | 1   | Tie, Cable                           |
| 28   | 56016369 | 1   | Decal, Extended Scrub                |
| 29   | 56040729 | 1   | Instruction Sheet (not shown)        |
| 30   | 56228414 | 1   | Circuit Breaker, 3.5A                |
| 31   | 56254142 | 3   | Clamp, Hose                          |
| 32   | 56261246 | 2   | Elbow, Shur-Flo                      |
| 33   | 56409264 | 1   | Harness, Extended Scrub              |
| 34   | 56409434 | 1   | Cord Assembly 14/2 x 24              |
| 35   | 56409607 | 1   | Tube, Heatshrink                     |
| 36   | 56409611 | 1   | Pump Assembly                        |
| *    | 56260740 | 1   | Diaphragm Kit                        |
| *    | 56260741 | 1   | Valve Kit                            |
| *    | 56503014 | 1   | Pressure Switch                      |
| *    | 56503030 | 1   | Check Valve Repair Kit               |
| 37   | 56410232 | 1   | Base Weldment                        |
| 38   | 56410240 | 1   | Gasket, Recycler                     |
| 39   | 56410241 | 1   | Cover, Recycler                      |
| 40   | 56410242 | 1   | Hose, Nylon Braid                    |
| 41   | 56410243 | 1   | Cord, Recycle                        |
| 42   | 56456035 | 1   | Strainer                             |
| 43   | 56742125 | 1   | Elbow, 90 Street                     |

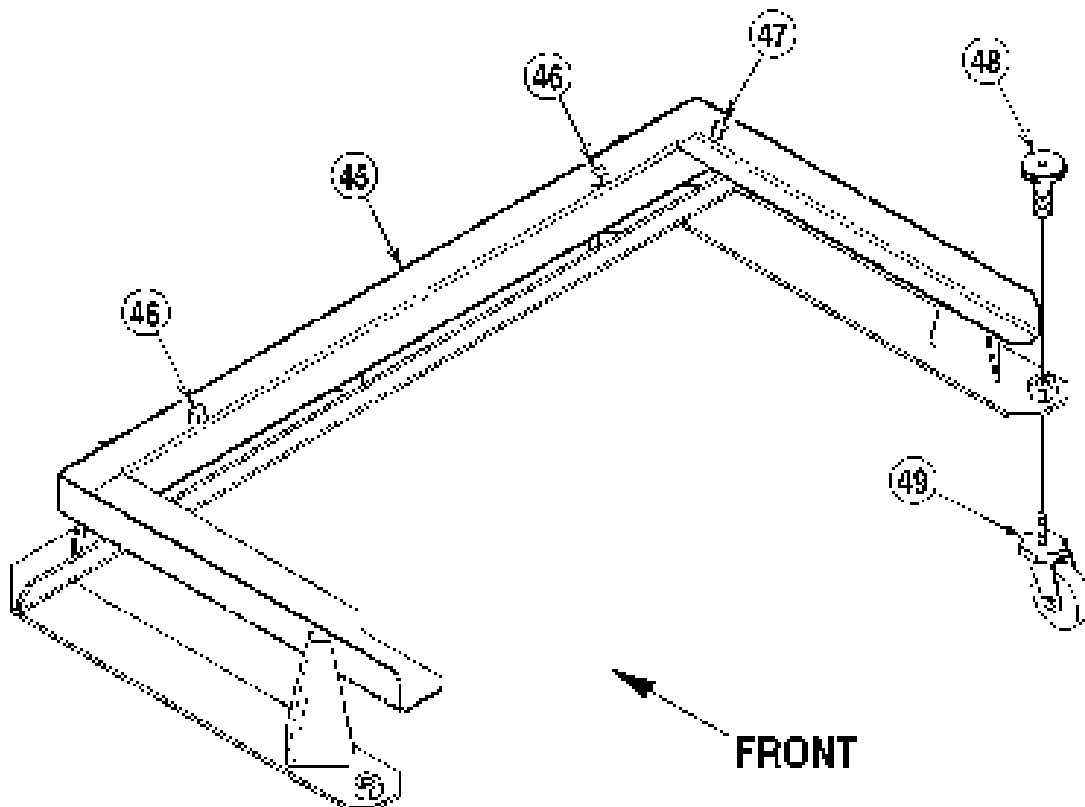
\* = Not Shown

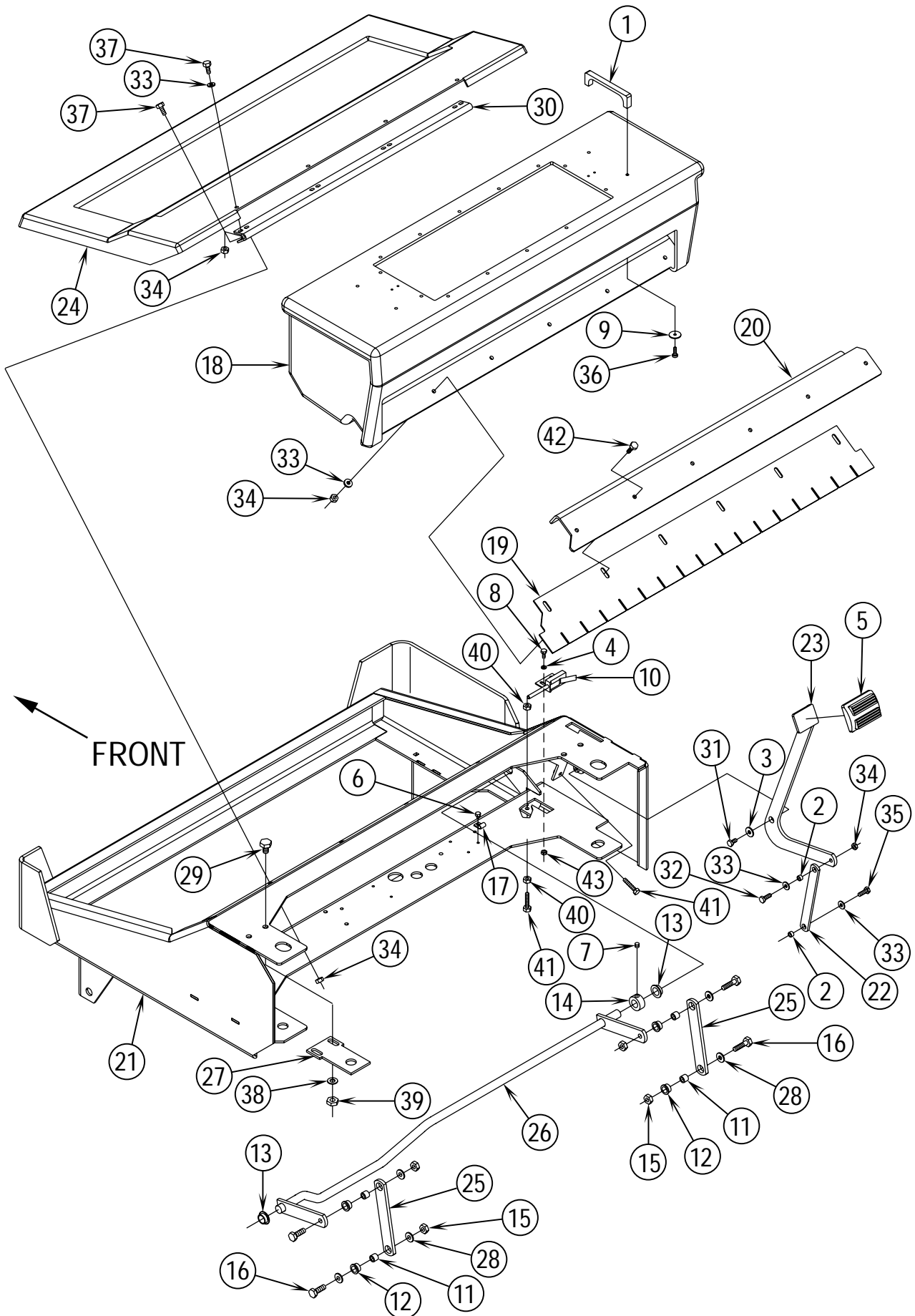




| Item | Ref. No. | Qty | Description                 | Item | Ref. No. | Qty | Description  |
|------|----------|-----|-----------------------------|------|----------|-----|--|
|      | 56410193 | 1   | Presweep Kit <b>NOTE #1</b> | 26   | 56002155 | 24  | 1/4-20 x 3/4 Screw                                 |
| *    | 56040724 | 1   | Instruction Sheet           | 27   | 56002035 | 6   | 5/16-18 x 5/8 Bolt                                 |
| 1    | 56755263 | 1   | Poly V Belt                 | 28   | 56151858 | 4   | Thrust Bearing                                     |
| 2    | 56003240 | 2   | Key                         | 29   | 56002063 | 2   | 3/8 Flat Washer                                    |
| 3    | 56009085 | 1   | 3/8-16 Jam Nut              | 30   | 56002708 | 24  | 1/4-20 Nyl Loc Nut                                 |
| 4    | 56261210 | 1   | Motor                       | 31   | 56009087 | 2   | 1/4-20 Jam Nut                                     |
| 5    | 56393601 | 2   | Flange Bearing              | 32   | 56002047 | 1   | 1/4-20 x 1-1/4 Screw                               |
| 6    | 56387542 | 1   | Sheave                      | 33   | 56009033 | 3   | 1/4-20 x 1/2 HP-5 Screw                            |
| 7    | 56244941 | 2   | Bushing                     | 34   | 56002701 | 4   | 5/16-18 Nyl Loc Nut                                |
| 8    | 56185264 | 2   | Flange Bearing              | 35   | 56505626 | 1   | Main Broom   |
| 9    | 56754199 | 1   | Strain Relief               | 36   | 56410245 | 1   | Cord ( <b>before SN1520210</b> ) TSB 795           |
| 10   | 56475462 | 3   | Insert                      |      | 56410383 | 1   | Cord ( <b>after SN1520209</b> ) TSB 795            |
| 11   | 56409296 | 1   | Broom Housing               | 37   | 56410246 | 1   | Cord ( <b>before SN1520210</b> ) TSB 795           |
| 12   | 56409266 | 1   | Seal                        |      | 56410384 | 1   | Cord ( <b>after SN1520209</b> ) TSB 795            |
| 13   | 56409267 | 2   | Seal Strap                  | 38   | 56002119 | 3   | 1/4-20 x 1/2 Loc Set Screw                         |
| 14   | 56409268 | 1   | Rear Skirt                  | 39   | 56009088 | 6   | 1/4-20 x 1-1/4 HP-5 Screw                          |
| 15   | 56409278 | 2   | Side Front Strap            | 40   | 56002947 | 1   | 3/8-16 x 1 Loc Bolt                                |
| 16   | 56409279 | 2   | Side Skirt                  | 41   | 56009012 | 1   | #10-24 x 3/8 HP-5 Screw                            |
| 17   | 56409280 | 4   | Side Skirt Strap            | 42   | 56002930 | 2   | 1/4-20 x 3/8 Loc Set Screw                         |
| 18   | 56409282 | 1   | Shaft                       | 43   | 56002086 | 2   | 5/16-18 x 1/4 Loc Set Screw                        |
| 19   | 56409283 | 1   | Motor Bracket               | 44   | 56002470 | 1   | 3/8-16 x 2 Bolt                                    |
| 20   | 56409284 | 1   | Sheave                      |      | 56409547 | 1   | Presweep Cart Assembly<br>(#45-49) <b>Note #2:</b> |
| 21   | 56409286 | 1   | Belt Guard                  | 45   | 56409548 | 1   | Frame  |
| 22   | 56300152 | 1   | Cable Clamp                 | 46   | 56382566 | 2   | Bumper   |
| 23   | 56002221 | 6   | 5/16-18 x 1 Bolt            | 47   | 56402940 | 2   | Bumper   |
| 24   | 56001939 | 6   | 5/16 Flat Washer            | 48   | 56409555 | 3   | Adjusting Knob                                     |
| 25   | 56002826 | 8   | 5/16-18 Thin Nyl Loc Nut    | 49   | 56458838 | 3   | Caster Wheel                                       |

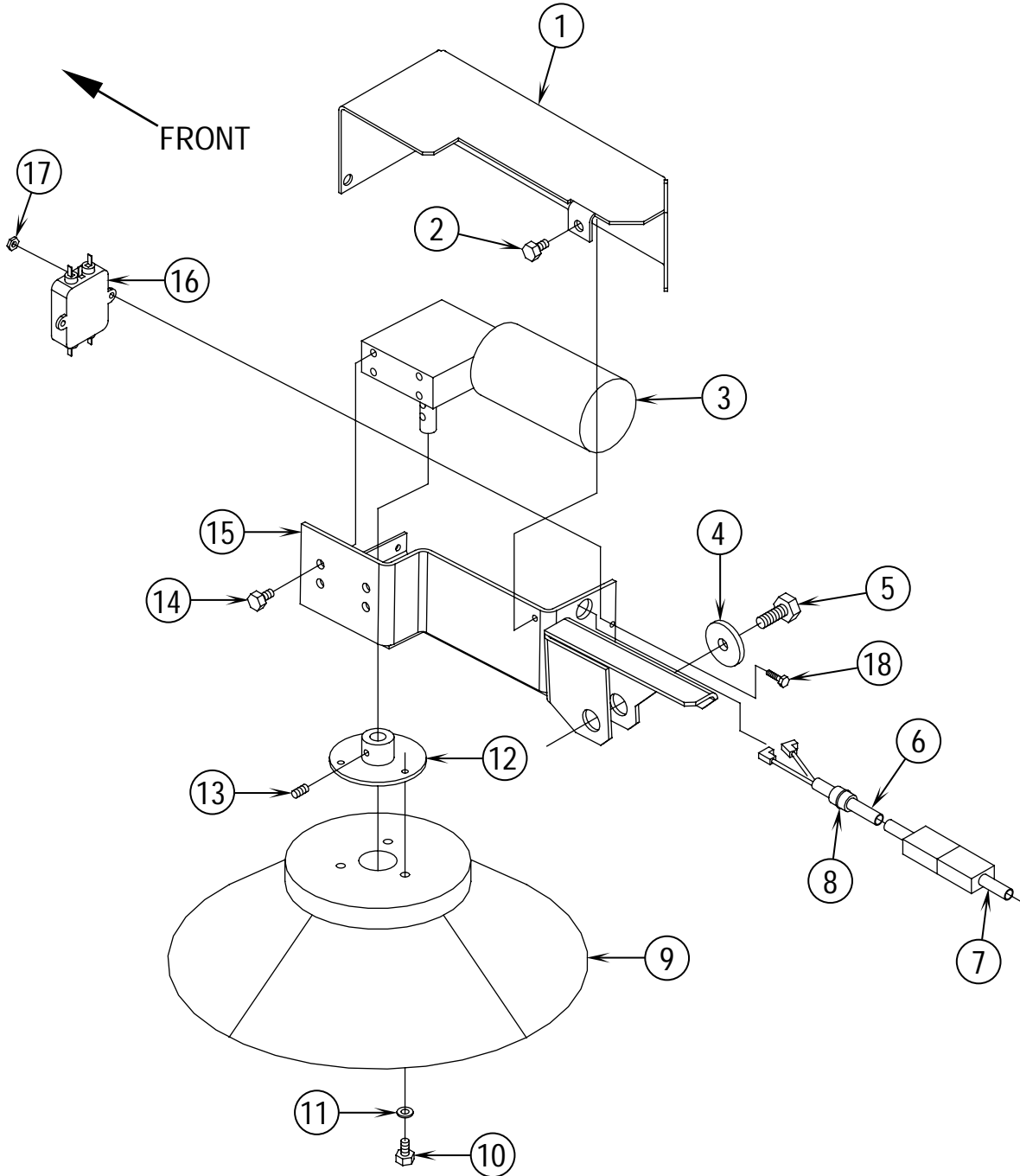
\* = Not Shown

**Note #1:** The Presweep Kit PN56410193 does not include the Presweep Cart Assembly PN56409547.**Note #2:** The Presweep Cart Assembly is used to sit the Presweep Assembly on for storage and moving to and from the machine.



|      |   |               |              |           |
|------|---|---------------|--------------|-----------|
| 00-7 | <b>PRESWEEP KIT(FRAME &amp; HOPPER)</b>                       | <b>BOOK E</b> |              |           |
| 02-1 | <b>Hydro-Retriever™ 3800, 2042 / BR 1100, 1100C, 1100C-XL</b> | <b>E</b>      | <b>8.6.1</b> | <b>49</b> |

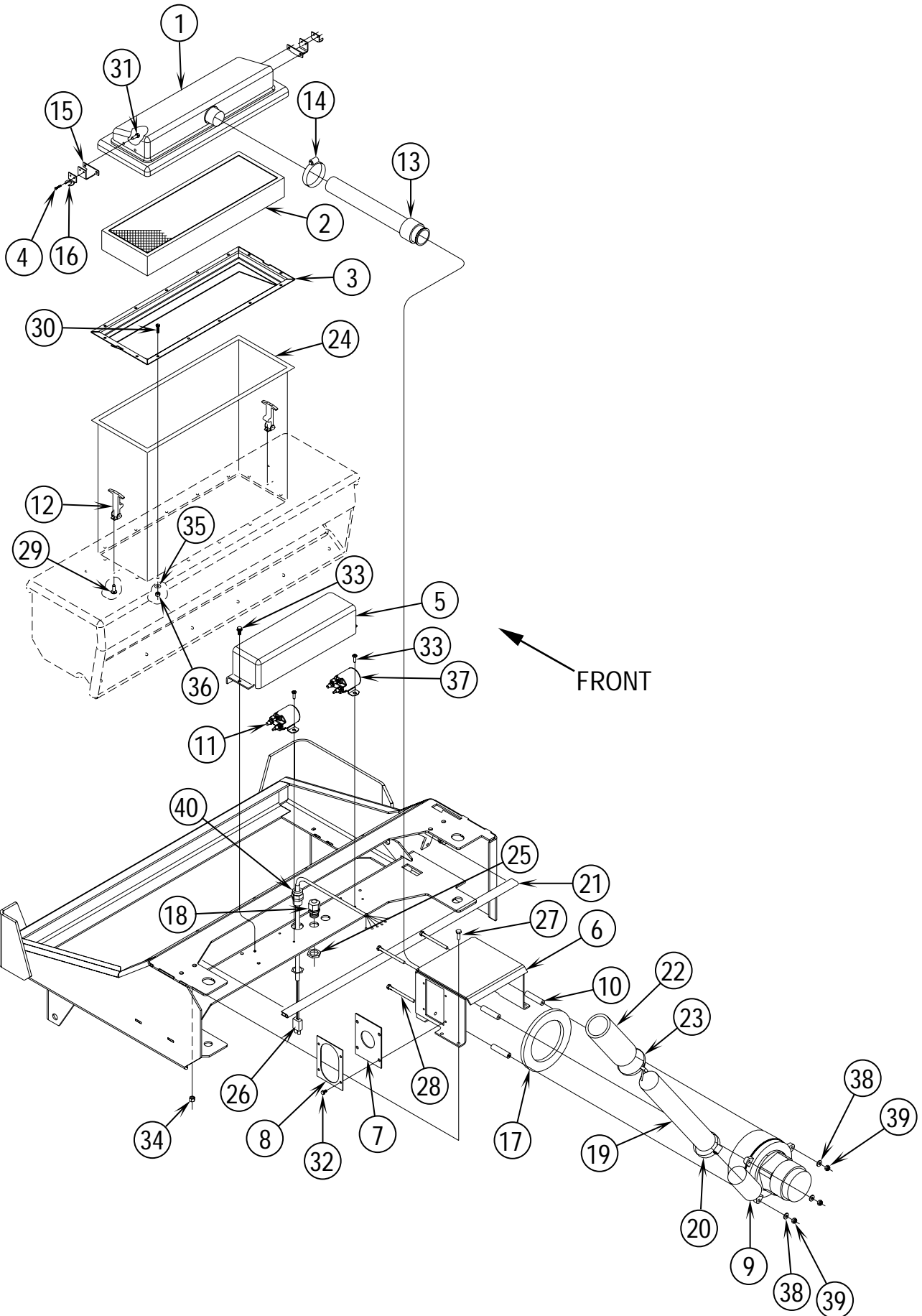
| Item | Ref. No. | Qty | Description                              |
|------|----------|-----|--|
| 1    | 56300101 | 2   | Handle                                   |
| 2    | 56379298 | 2   | Bushing                                  |
| 3    | 56009002 | 1   | Washer                                   |
| 4    | 56001954 | 2   | #10 Flat Washer                          |
| 5    | 56365002 | 1   | Rubber Pad                               |
| 6    | 56009012 | 1   | #10-24 x 3/8 HP-5 Screw                  |
| 7    | 56002086 | 1   | 5/16-18 x 1/4 Loc Set Screw              |
| 8    | 56002503 | 2   | #10-24 x 1/2 Screw                       |
| 9    | 56009096 | 4   | Washer                                   |
| 10   | 56410249 | 1   | Switch <b>(before SN1520210) TSB 795</b> |
|      | 56410385 | 1   | Switch <b>(after SN1520209) TSB 795</b>  |
| 11   | 56244941 | 4   | Bushing                                  |
| 12   | 56185264 | 4   | Flange Bearing                           |
| 13   | 56470173 | 2   | Flange Bearing                           |
| 14   | 56367354 | 1   | Collar                                   |
| 15   | 56002701 | 4   | 5/16-18 Nyl Loc Nut                      |
| 16   | 56001834 | 4   | 5/16-18 x 1-1/4 Bolt                     |
| 17   | 56481890 | 1   | P Clamp                                  |
| 18   | 56409803 | 1   | Hopper                                   |
| 19   | 56409270 | 1   | Front Skirt                              |
| 20   | 56409271 | 1   | Front Flap Strap                         |
| 21   | 56410204 | 1   | Frame                                    |
| 22   | 56409293 | 1   | Strap                                    |
| 23   | 56409298 | 1   | Lift Lever                               |
| 24   | 56409657 | 1   | Cover                                    |
| 25   | 56409395 | 2   | Strap                                    |
| 26   | 56409767 | 1   | Rod                                      |
| 27   | 56409481 | 2   | Plate                                    |
| 28   | 56001939 | 5   | 5/16 Flat Washer                         |
| 29   | 56002127 | 4   | 3/8-16 x 3/4 Bolt                        |
| 30   | 56459192 | 1   | Hinge                                    |
| 31   | 56003039 | 1   | 1/4-20 x 1/2 Loc Screw                   |
| 32   | 56002155 | 1   | 1/4-20 x 3/4 Screw                       |
| 33   | 56002098 | 15  | 1/4 Flat Washer                          |
| 34   | 56002840 | 14  | 1/4-20 Thin Nyl Loc Nut                  |
| 35   | 56002948 | 1   | 1/4-20 x 3/4 Loc Screw                   |
| 36   | 56002124 | 4   | #10-24 x 5/8 Screw                       |
| 37   | 56001836 | 8   | 1/4-20 x 5/8 Screw                       |
| 38   | 56002063 | 4   | 3/8 Flat Washer                          |
| 39   | 56002841 | 4   | 3/8-16 Thin Nyl Loc Nut                  |
| 40   | 56009087 | 2   | 1/4-20 Jam Nut                           |
| 41   | 56002047 | 2   | 1/4-20 x 1-1/4 Screw                     |
| 42   | 56001821 | 6   | 1/4-20 x 7/8 Screw                       |
| 43   | 56002768 | 2   | #10-24 Nyl Loc Nut                       |



|      |   |               |              |           |
|------|---|---------------|--------------|-----------|
| 00-7 | <b>PRESWEEP KIT(SIDE BROOM)</b>                               | <b>BOOK E</b> |              |           |
| 02-1 | <b>Hydro-Retriever™ 3800, 2042 / BR 1100, 1100C, 1100C-XL</b> | <b>E</b>      | <b>8.6.1</b> | <b>51</b> |

| Item | Ref. No. | Qty | Description                                     |
|------|----------|-----|---|
| 1    | 56409715 | 1   | Cover Plate                                     |
| 2    | 56009033 | 9   | 1/4-20 x 1/2 HP-5 Screw                         |
| 3    | 56409713 | 1   | Motor   |
| *    | 56471129 | 1   | Carbon Brush Kit <b>(for 56409713)</b>          |
| *    | 56471167 | 1   | Gear Assembly Replacement <b>(for 56409713)</b> |
| 4    | 56367117 | 1   | Washer  |
| 5    | 56002947 | 1   | 3/8-16 x 1 Loc Bolt                             |
| 6    | 56409714 | 1   | Cord  |
| 7    | 56410246 | 1   | Cord <b>(before SN1520210) TSB 795</b>          |
|      | 56410384 | 1   | Cord <b>(after SN1520209) TSB 795</b>           |
| 8    | 56163015 | 1   | Strain Relief                                   |
| 9    | 56475179 | 1   | Side Broom                                      |
| 10   | 56001854 | 3   | 1/4-20 x 1/2 Screw                              |
| 11   | 56002098 | 15  | 1/4 Flat Washer                                 |
| 12   | 56467522 | 1   | Brush Holder                                    |
| 13   | 56002119 | 4   | 1/4-20 x 1/2 Loc Set Screw                      |
| 14   | 56002933 | 4   | 1/4-20 x 3/8 Loc Screw                          |
| 15   | 56409716 | 1   | Side Broom Mount                                |
| 16   | 56409712 | 1   | RFI Filter                                      |
| 17   | 56002802 | 2   | Nut, Hex Nyl Loc 8-32                           |
| 18   | 56003007 | 2   | Scr, Hex Hd 8-32 x .50                          |

\* = Item Not Shown

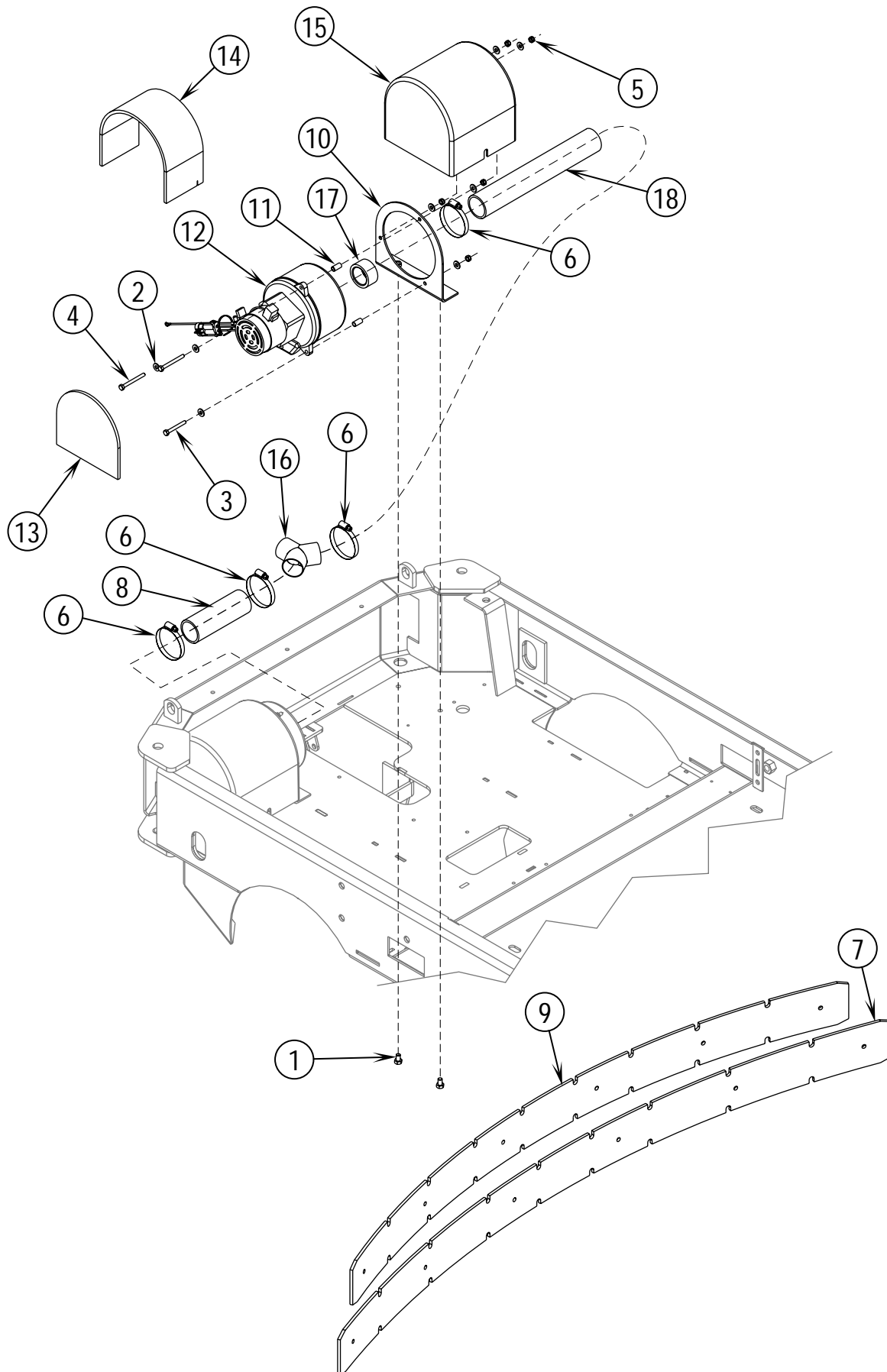


|      |   |               |              |           |
|------|---|---------------|--------------|-----------|
| 00-7 | <b>PRESWEEP KIT(DUST CONTROL)</b>                             | <b>BOOK E</b> |              |           |
| 02-1 | <b>Hydro-Retriever™ 3800, 2042 / BR 1100, 1100C, 1100C-XL</b> | <b>E</b>      | <b>8.6.1</b> | <b>53</b> |

| Item | Ref. No. | Qty | Description  |
|------|----------|-----|--|
| 1    | 56409758 | 1   | Filter Cover   |
| 2    | 56409760 | 1   | Filter Assy  |
| 3    | 56409757 | 1   | Filter Retainer  |
| 4    | 56003419 | 4   | Rivet, Blind   |
| 5    | 56409768 | 1   | Cover  |
| 6    | 56409762 | 1   | Vac Motor Mount  |
| 7    | 56409765 | 1   | Boot   |
| 8    | 56409764 | 1   | Plate, Cover   |
| 9    | 56409785 | 1   | Vac Motor  |
| *    | 56503003 | 1   | Carbon Brush Set for 56409785                              |
| 10   | 56409763 | 3   | Stand-Off  |
| 11   | 56395450 | 1   | Solenoid ( <b>Vac Motor</b> ) <b>TSB 795</b>               |
| 12   | 56393560 | 2   | Latch  |
| 13   | 56409761 | 1   | Hose   |
| 14   | 56329145 | 1   | Hose Clamp   |
| 15   | 56409759 | 2   | Keeper, Mount  |
| 16   | 56393559 | 2   | Keeper   |
| 17   | 56385437 | 1   | Gasket   |
| 18   | 56323135 | 2   | Strain Relief  |
| 19   | 56323295 | 1   | Hose   |
| 20   | 56440213 | 1   | Hose Clamp   |
| 21   | 56409779 | 1   | Gasket   |
| 22   | 56391807 | 1   | Foam, Acoustical   |
| 23   | 56477613 | 1   | Tie, Cable   |
| 24   | 56209434 | 48" | Gasket (122 cm)  |
| 25   | 56009095 | 2   | Nut, Conduit Lock 1/2-14                                   |
| 26   | 56410244 | 1   | Wiring Harness ( <b>before SN1520210</b> ) <b>TSB 795</b>  |
|      | 56410386 | 1   | Wiring Harness ( <b>after SN1520209</b> ) <b>TSB 795</b>   |
| 27   | 56002155 | 8   | Scr, Hex Hd 1/4-20 x .75                                   |
| 28   | 56001817 | 3   | Scr, Hex 1/4-20 x 3.25                                     |
| 29   | 56002438 | 4   | Scr, Pan Phil Thd Form 8-32 x .50                          |
| 30   | 56002504 | 14  | Scr, Hex Hd #10-24 x .75                                   |
| 31   | 56002530 | 4   | Scr, Hex Thd Form 1/4-20 x .38                             |
| 32   | 56009012 | 4   | Scr, Hex Thd Form #10-24 x .38                             |
| 33   | 56009033 | 6   | Scr, Hex Thd Form 1/4-20 x .50                             |
| 34   | 56002840 | 4   | Nut, Hex Nyl Loc-Thin 1/4-20                               |
| 35   | 56001954 | 4   | Wsh, Flt SAE #10   |
| 36   | 56002768 | 4   | Nut, Hex Nyl Loc #10-24                                    |
| 37   | 56395450 | 1   | Solenoid ( <b>Main Broom / Side Broom</b> ) <b>TSB 795</b> |
| 38   | 56002098 | 3   | Wsh, Flt SAE 1/4   |
| 39   | 56002708 | 3   | Nut Hex Nyl Loc 1/4-20                                     |
| 40   | 56416406 | 1   | Strain Relief  |
| *    | 56454538 | 2   | Circuit Breaker, 15Amp <b>NOTE</b>                         |
| *    | 56459367 | 2   | Boot, Reset <b>NOTE</b>                                    |

\* = Item Not Shown

**NOTE:** These 2 items are installed on the rider scrubber itself during installation.





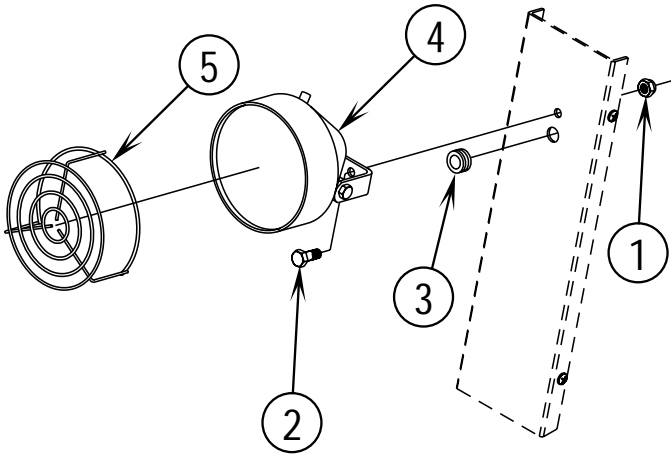
|      |   |               |              |           |
|------|---|---------------|--------------|-----------|
| 00-7 | <b>DUAL VACUUM MOTOR KIT</b>                                  | <b>BOOK E</b> |              |           |
| 03-1 | <b>Hydro-Retriever™ 3800, 2042 / BR 1100, 1100C, 1100C-XL</b> | <b>E</b>      | <b>8.6.1</b> | <b>55</b> |

| Item | Ref. No. | Qty | Description   |
|------|----------|-----|---|
|      | 56410455 | 1   | Dual Vacuum Motor Kit <b>TSBUS2003-827</b>              |
| *    | 56040779 | 1   | Instruction Sheet                                       |
| 1    | 56001862 | 2   | Scr, Hex Hd 5/16-18 x .50                               |
| 2    | 56002098 | 8   | Wsh, Flt SAE 1/4  |
| 3    | 56003168 | 1   | Scr, Hex M6-1.00 x 50mm                                 |
| 4    | 56003169 | 2   | Scr, Hex M6-1.00 x 60mm                                 |
| 5    | 56003403 | 5   | Nut, Hex Nyl Loc M6-1.00                                |
| 6    | 56456797 | 4   | Clamp, Hose SAE #36                                     |
| 7    | 56410460 | 1   | Blade, Front Dual Vac ( <b>2042 / BR 1100C-XL</b> )     |
| 8    | 56385599 | 1   | Hose, Cut   |
| 9    | 56407585 | 1   | Blade, Front ( <b>3800, 3800C / BR 1100, BR 1100C</b> ) |
| 10   | 56410063 | 1   | Vacuum Support  |
| 11   | 56410064 | 3   | Stand-Off   |
| 12   | 56410065 | 1   | Vac Motor Assy  |
| *    | 56397098 | 1   | Carbon Brush Set  |
| 13   | 56410067 | 1   | Foam, Vac Motor   |
| 14   | 56410068 | 1   | Foam, Vac Motor   |
| 15   | 56410086 | 1   | Dual Vacuum Shroud                                      |
| 16   | 56410440 | 1   | Wye Assembly  |
| 17   | 56410446 | 1   | Adapter   |
| 18   | 56410454 | 1   | Hose, Cut   |

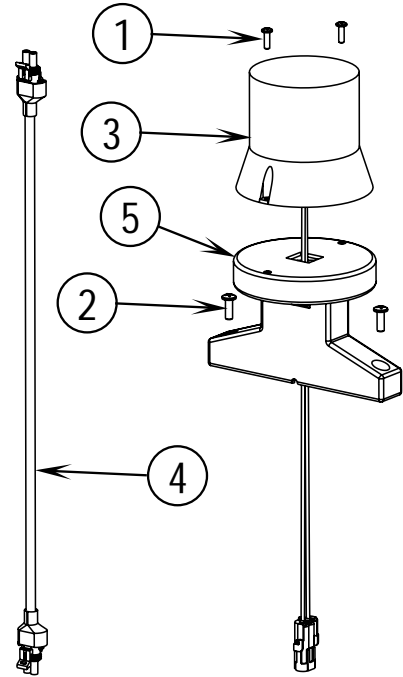
\* = Not Shown

**NOTE:** Previous Dual Vacuum Motor Kit PN56410195 is obsolete and replaced by PN56410455 shown here. This new kit will work "as is" on all machines built after February 3, 2003. Machines built prior to that date will also require **Vacuum Update kit, 1 Vac Motor PN56410457** to be installed prior to installing the new **Dual Vacuum Motor Kit PN56410455**.

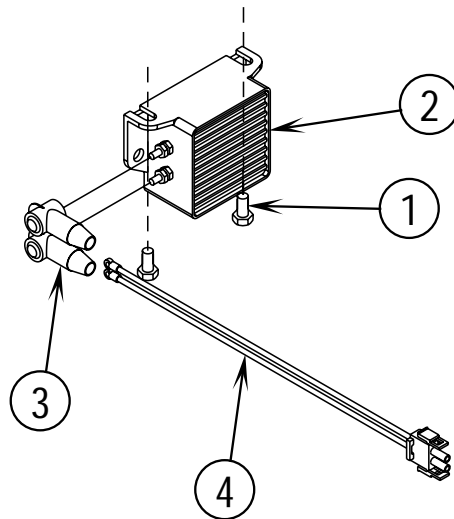
56407236-Headlight Kit



56410194-Beacon Kit



56410174-Back-Up Alarm Kit



|      |   |               |              |           |
|------|---|---------------|--------------|-----------|
| 00-7 | <b>HEADLIGHT / BEACON / BACKUP ALARM KITS</b>                 | <b>BOOK E</b> |              |           |
| 02-1 | <b>Hydro-Retriever™ 3800, 2042 / BR 1100, 1100C, 1100C-XL</b> | <b>E</b>      | <b>8.6.1</b> | <b>57</b> |

| Item | Ref. No. | Qty | Description                       |
|------|----------|-----|-----------------------------------|
|      | 56407236 | 1   | Headlight Kit                     |
| *    | 56040637 | 1   | Instruction Sheet                 |
| 1    | 56003389 | 1   | Nut, Hex Nyl Loc M8-1.25          |
| 2    | 56003179 | 1   | Scr, Hex Thd To Hd M8-1.25 x 20mm |
| 3    | 56321540 | 1   | Grommet                           |
| 4    | 56409239 | 1   | Headlight                         |
| 5    | 56409557 | 1   | Headlight Guard                   |
| *    | 56172230 | 2   | Terminal Tab .25 Ins.             |

\* = Not Shown

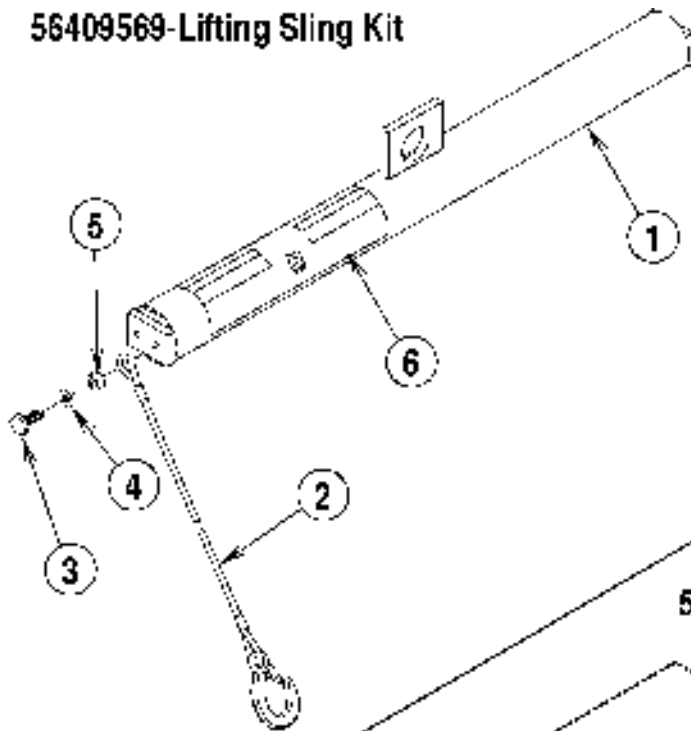
| Item | Ref. No. | Qty | Description                |
|------|----------|-----|----------------------------|
|      | 56410194 | 1   | Warning Beacon Kit         |
| *    | 56040730 | 1   | Instruction Sheet          |
| 1    | 56002124 | 2   | Scr, Pan Phil 10-24 x .62  |
| 2    | 56002507 | 2   | Scr, Pan Phil 1/4-20 x .75 |
| 3    | 56416433 | 1   | Strobe                     |
| 4    | 56410170 | 1   | Cord Assembly 18/2         |
| 5    | 56410218 | 1   | Beacon Pedestal, Routed    |

\* = Not Shown

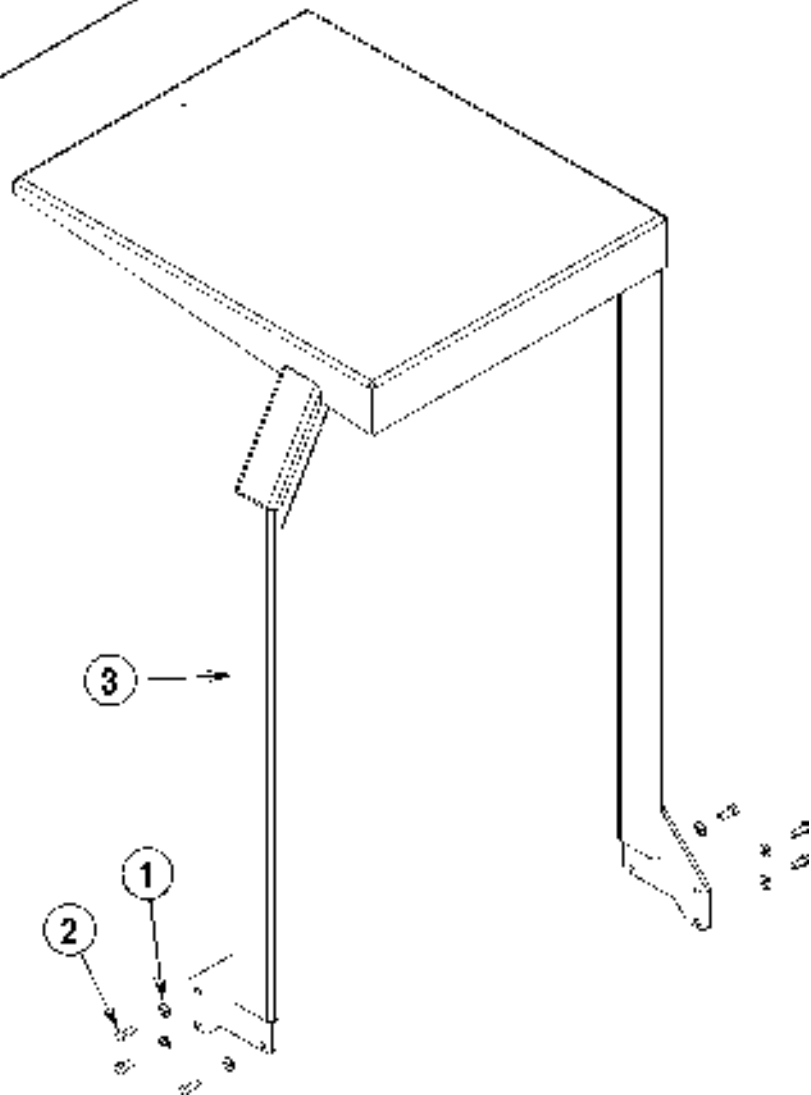
| Item | Ref. No. | Qty | Description                    |
|------|----------|-----|--------------------------------|
|      | 56410174 | 1   | Back-Up Alarm Kit              |
| *    | 56040723 | 1   | Instruction Sheet              |
| 1    | 56009033 | 2   | Scr, Hex Thd Form 1/4-20 x .50 |
| 2    | 56409232 | 1   | Back-Up Alarm                  |
| 3    | 56409538 | 2   | Insulator, Terminal            |
| 4    | 56410171 | 1   | Wire Assembly, Pigtail         |

\* = Not Shown

56409569-Lifting Sling Kit



56410192-Overhead Guard Kit



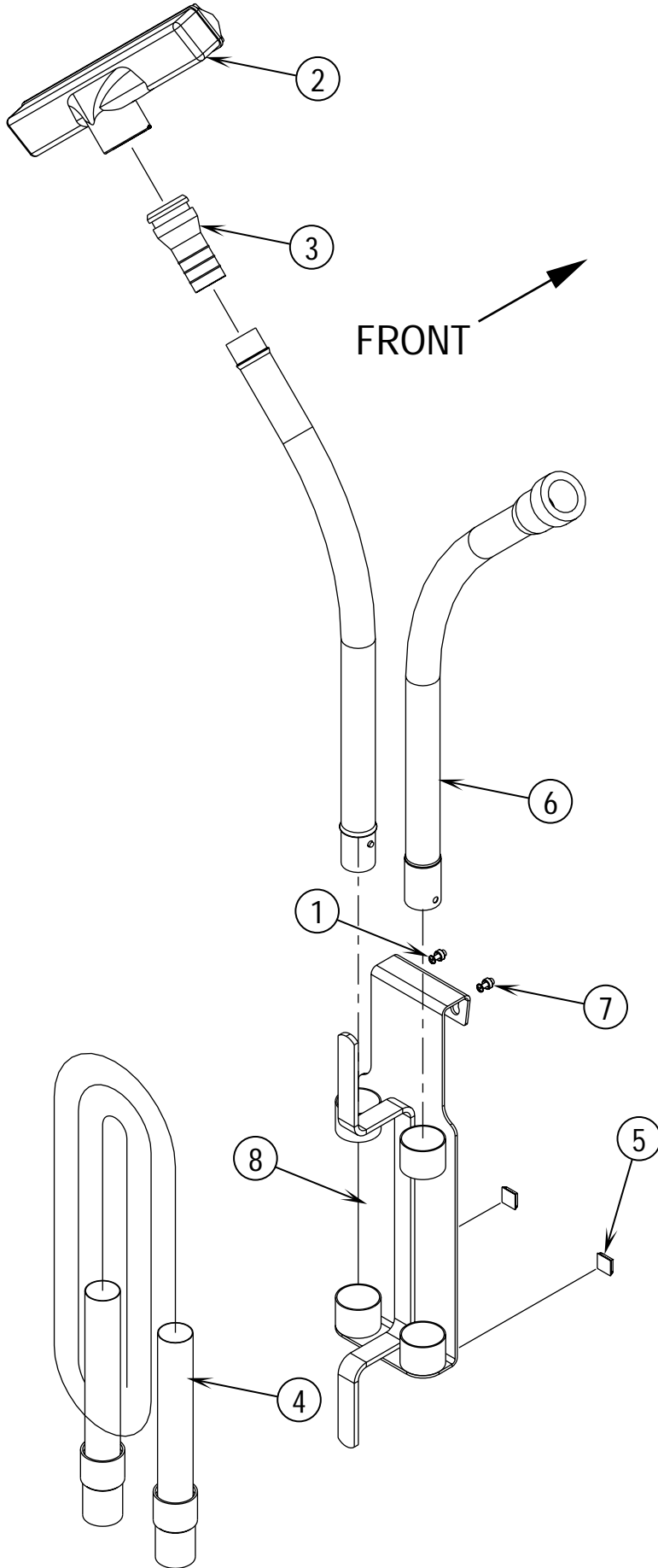
|      |   |               |              |           |
|------|---|---------------|--------------|-----------|
| 00-7 | <b>LIFTING SLING / OVERHEAD GUARD KITS</b>                    | <b>BOOK E</b> |              |           |
| 02-1 | <b>Hydro-Retriever™ 3800, 2042 / BR 1100, 1100C, 1100C-XL</b> | <b>E</b>      | <b>8.6.1</b> | <b>59</b> |

| Item | Ref. No. | Qty | Description                   |
|------|----------|-----|-------------------------------|
|      | 56409569 | 1   | Lifting Sling Kit             |
| *    | 56040521 | 1   | Instruction Sheet             |
| 1    | 56409571 | 1   | Lift Bar Weldment             |
| 2    | 56409570 | 4   | Cable, Sling                  |
| 3    | 56003022 | 4   | Scr, Hex Hd Loc 1/2-13 x 1.25 |
| 4    | 56002168 | 4   | Wsh, Flt Std 1/2              |
| 5    | 56491726 | 4   | Bushing                       |
| 6    | 56015656 | 1   | Decal, Warning Lifting        |

\* = Not Shown

| Item | Ref. No. | Qty | Description                   |
|------|----------|-----|-------------------------------|
|      | 56410192 | 1   | Overhead Guard Kit            |
| *    | 56040726 | 1   | Instruction Sheet             |
| 1    | 56001879 | 6   | Wsh, Flt SAE 1/2              |
| 2    | 56003022 | 6   | Scr, Hex Hd Loc 1/2-13 x 1.25 |
| 3    | 56410200 | 1   | Overhead Guard Weldment       |

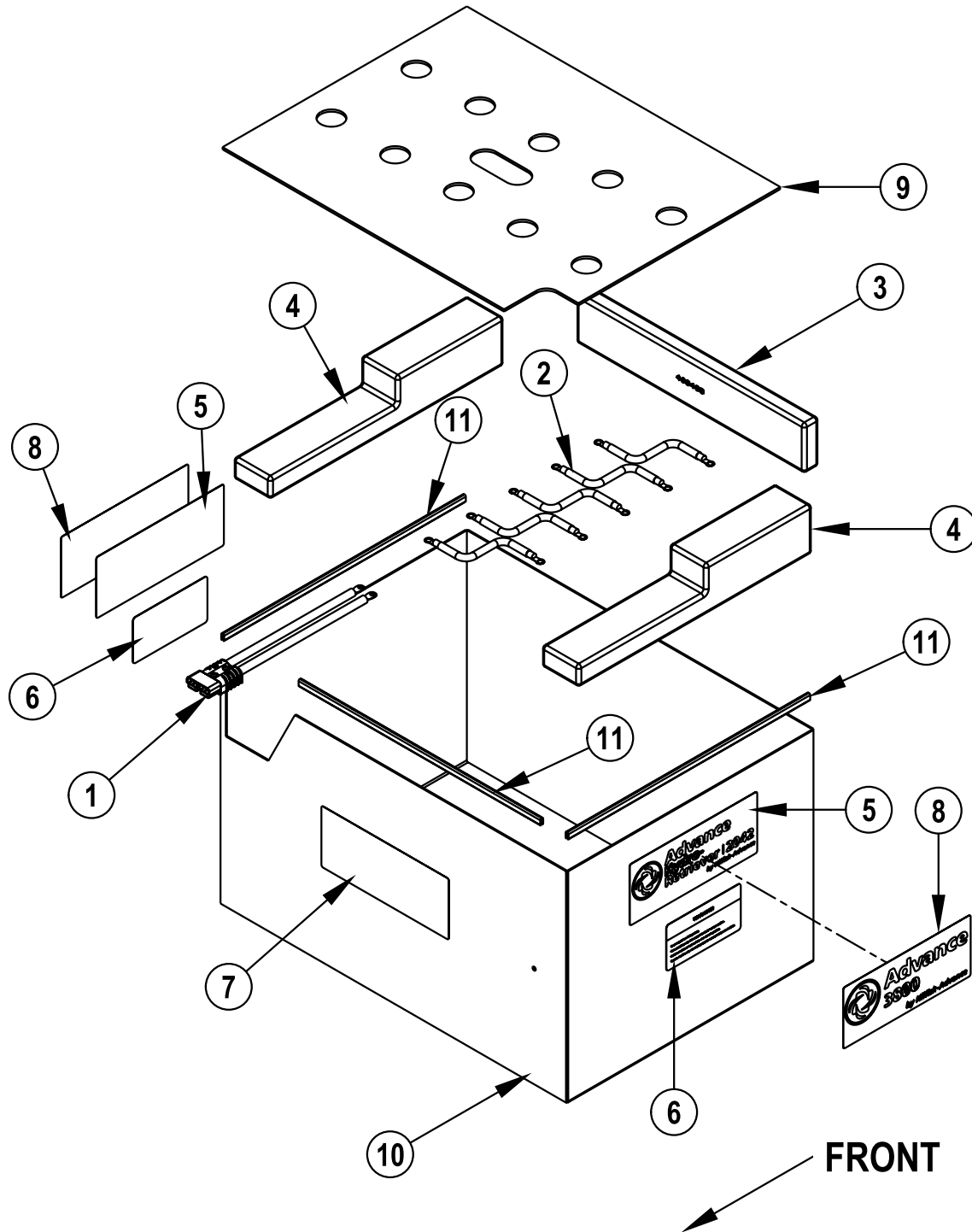
\* = Not Shown



|      |   |               |              |           |
|------|---|---------------|--------------|-----------|
| 00-7 | <b>VACUUM WAND CADDY KIT</b>                                  | <b>BOOK E</b> |              |           |
| 02-1 | <b>Hydro-Retriever™ 3800, 2042 / BR 1100, 1100C, 1100C-XL</b> | <b>E</b>      | <b>8.6.1</b> | <b>61</b> |

| Item | Ref. No. | Qty | Description               |
|------|----------|-----|---------------------------|
|      | 56410197 | 1   | Vacuum Wand Caddy Kit     |
| *    | 56040727 | 1   | Instruction Sheet         |
| 1    | 56002124 | 2   | Scr, Pan Phil 10-24 x .62 |
| 2    | 56205114 | 1   | Squeegee Tool, 14 Inch    |
| 3    | 56301339 | 1   | Coupler                   |
| 4    | 56329062 | 1   | Vac Hose                  |
| 5    | 56402940 | 2   | Bumper                    |
| 6    | 56409563 | 1   | Wand, 2 Piece             |
| 7    | 56412310 | 2   | Spacer, Stepped           |
| 8    | 56410202 | 1   | Caddy Weldment            |

\* = Not Shown





|      |   |               |              |           |
|------|---|---------------|--------------|-----------|
| 00-7 | <b>ROLLOUT BATTERY BOX KIT (ADVANCE MODELS ONLY)</b>          | <b>BOOK E</b> |              |           |
| 04-5 | <b>Hydro-Retriever™ 3800, 2042 / BR 1100, 1100C, 1100C-XL</b> | <b>E</b>      | <b>8.6.1</b> | <b>63</b> |

| Item | Ref. No. | Qty | Description                   |
|------|----------|-----|-------------------------------|
|      | 56410498 | 1   | Rollout Battery Box Kit Kit   |
| *    | 56040820 | 1   | Instruction Sheet             |
| 1    | 56409444 | 1   | Connector Assy                |
| 2    | 56409485 | 5   | Cable, Battery                |
| 3    | 56409498 | 1   | Spacer, Battery               |
| 4    | 56409499 | 2   | Spacer, Battery               |
| 5    | 56015003 | 2   | Decal, HR 2042                |
| 6    | 56015186 | 2   | Decal, Warning                |
| 7    | 56015596 | 1   | Decal, Battery Wiring Diagram |
| 8    | 56016582 | 2   | Decal, 3800                   |
| 9    | 56409345 | 1   | Cover, Battery                |
| 10   | 56410478 | 1   | Battery Box Weldt.            |
| 11   | 56410506 | 3   | Trim, Edge                    |

|        |       |                               |  |      |
|--------|-------|-------------------------------|--|------|
| BOOK E |       | OPTIONAL KITS AND ACCESSORIES |  | 00-7 |
| E      | 8.6.1 | 64                            | Hydro-Retriever™ 3800, 2042 / BR 1100, 1100C, 1100C-XL | 05-6 |

| Ref. No.    | Description  |
|-------------|--|
|             | Optional Kits  |
| ** 56410197 | 1 Vacuum Wand Caddy Kit  |
| ** 56410194 | 1 Warning Beacon Kit   |
| ** 56407236 | 1 Headlight Kit  |
| ** 56410174 | 1 Back-Up Alarm Kit  |
| ** 56410196 | 1 Extended Scrub Kit   |
| ** 56410455 | 1 Dual Vacuum Motor Kit TSBUS2003-827  |
| ** 56410192 | 1 Overhead Guard Kit   |
| ** 56409569 | 1 Lifting Sling Kit  |
| ** 56409721 | 1 Isolator Kit   |
| ** 56410193 | 1 Presweep Kit (Hydro-Retriever 3800 / BR 1100 only)   |
| ** 56410252 | 1 Battery Box Kit  |
| ** 56410498 | 1 Rollout Battery Box Kit<br>(Hydro-Retriever 3800 / 2042 models 56410500, 56410501 & 56410502 only) |
| ** 56419369 | 1 Seat Belt Kit  |
| ** 56409067 | 2 Battery Lift Strap (BR 1100 only)  |
| ** 56410367 | 1 Cleanout Cap Kit   |
| ** 56204221 | A/R 14" Scrub And Vac Kit  |
| ** 56204222 | A/R 20" Scrub And Vac Kit  |
| ** 56409441 | A/R Programmer, 1311 User  |
| ** 56409823 | A/R Programmer Cable   |
|             | Hydro-Retriever 3800 / BR 1100 Squeegee Blade Kits (NOTE #1)   |
| ** 56407589 | 1 Standard Squeegee Blade Kit (3800 / BR 1100)   |
| ** 56407588 | 1 Dual Vac Standard Squeegee Blade Kit (3800 / BR 1100)  |
| ** 56407602 | 1 Neoprene Squeegee Blade Kit (3800 / BR 1100)   |
| ** 56407596 | 1 Dual Vac Neoprene Squeegee Blade Kit (3800 / BR 1100)  |
| ** 56407601 | 1 Linatex Squeegee Blade Kit (3800 / BR 1100)  |
| ** 56407597 | 1 Dual Vac Linatex Squeegee Blade Kit (3800 / BR 1100)   |
| ** 56407505 | 1 Blade, Front W/O Notches (3800 / BR 1100-for tile floors)  |
|             | Hydro-Retriever 2042 / BR 1100C-XL / Haram BR 1100 Squeegee Blade Kits (NOTE #1)                     |
| ** 56410464 | 1 Linatex Squeegee Blade Kit (2042 / BR 1100C-XL / Haram BR 1100)                                    |
| ** 56410465 | 1 Dual Vac Linatex Squeegee Blade Kit (2042 / BR 1100C-XL / Haram BR 1100)                           |
| ** 56410469 | 1 Neoprene Squeegee Blade Kit (2042 / BR 1100C-XL / Haram BR 1100)                                   |
| ** 56410466 | 1 Dual Vac Neoprene Squeegee Blade Kit (2042 / BR 1100C-XL / Haram BR 1100)                          |
| ** 56410371 | 1 Gum Rubber Squeegee Blade Kit (2042 / BR 1100C-XL / Haram BR 1100)                                 |
| ** 56410341 | 1 Blade, Front W/O Notches (2042 / BR 1100C-XL / Haram BR 1100-for tile floors)                      |
|             | Hydro-Retriever 3800 / BR 1100 Disk Deck Blade Kits (NOTE #2)  |
| ** 56410187 | A/R Standard Disk Deck Blade Kit (before SN150032)   |
| ** 56410188 | A/R Oil Resistant Disk Deck Blade Kit (before SN150032)  |
| ** 56410235 | A/R Linatex Disk Deck Blade Kit (before SN150032)  |
| ** 56410430 | A/R Standard Disk Deck Blade Kit (after SN150031)  |
| ** 56410431 | A/R Linatex Disk Deck Blade Kit (after SN150031)   |
|             | Hydro-Retriever 3800, 2042 / BR 1100, 1100C-XL Cylindrical Deck Blade Kits (NOTE #2)                 |
| ** 56410373 | 1 Gum Rubber Deck Blade Kit  |
| ** 56410374 | 1 Linatex Deck Blade Kit   |
| ** 56410375 | 1 Neoprene Deck Blade Kit  |
|             | Optional Batteries   |
| ** 56388582 | 6 Battery, 6V 395 A/H (20HR)   |
| ** 56409392 | 3 Battery, 12V 450 A/H (20HR)  |
| ** 56409691 | 1 Battery, 36V 450 A/H (20HR)  |
|             | Battery Accessories  |
| ** 56410428 | 1 Cart, Roller Transfer  |
| ** 56410429 | 1 Charging Station, 2 Pos Roller   |
|             | Optional Battery Chargers  |
| ** 56388120 | A/R Battery Charger, 36VDC, 36A, 120VAC  |
| ** 56409788 | A/R Battery Charger, 36VDC, 38A, 221-250VAC  |
| ** 56388119 | A/R Battery Charger, 36VDC, 36A, 250VAC / 50HZ   |

\*\* = Optional

NOTE #1: All Squeegee Blade Kits include both front & rear squeegee blades.

NOTE #2: All Deck Blade Kits include both deck and skirt assembly blades.

FORM NO. 56042410

|      |   |               |              |           |
|------|---|---------------|--------------|-----------|
| 00-7 | <b>BRUSH SELECTOR GUIDE (DISC)</b>                            | <b>BOOK E</b> |              |           |
| 04-5 | <b>Hydro-Retriever™ 3800, 2042 / BR 1100, 1100C, 1100C-XL</b> | <b>E</b>      | <b>8.6.1</b> | <b>65</b> |

We provide brushes and pad holders that will give you the best possible performance between machine and floor. Following are descriptions of the materials and their applications when used on the Hydro-Retriever™ 3800, 2042 / BR 1100, 1100C-XL cylindrical models.

**Union Mix:** Medium grade natural fibers for polishing finished floors with standard-speed equipment. Recommended for use in place of white pads.

**ProLite:** Bristles are made from light-duty polypropylene for general scrubbing when you do not want to scratch or remove finish from the floor. Recommended for use in place of red pads.

**Prolene:** Polypropylene material for medium-duty scrubbing on concrete, terrazzo and vinyl floor tile. Recommended for use in place of green or blue pads.

**Magna Grit:** For extreme heavy-duty scrubbing or stripping of floors. This brush has extra large diameter silicon carbide grit impregnated synthetic bristles. Recommended for use in place of black pads.

**Dyna Grit:** For aggressive, heavy-duty scrubbing or stripping of floors. Recommended for use in place of brown pads.

**MidLite Grit:** For general purpose scrubbing of sealed or unsealed concrete, stone, terrazzo, quarry tile and other resilient hard floor surfaces. Recommended for use in place of green or blue pads.

**MidGrit:** For general purpose scrubbing when you need a lighter action for sealed or unsealed concrete, stone, terrazzo, quarry tile and other resilient hard floor surfaces. Recommended for use in place of green or blue pads.

**AgLite Grit:** For light scrubbing when used wet; buffing or polishing when used dry on urethane coated, sealed concrete or other resilient hard surface floors. Recommended for use in place of red or white pads.

**Short Trim**

**Pad Holder:** Made with a structural foam block and center ring for correct pad centering. It has a "shower feed" design for getting solution to the floor.

- Ref. No.:**
- 56505796 - Union Mix**
  - 56505795 - ProLite**
  - 56505794 - Prolene**
  - 56505791 - Magna Grit 46**
  - 56505792 - Dyna Grit 80**
  - 56505797 - MidGrit 240**
  - 56505798 - MidLite Grit 180**
  - 56505793 - AgLite Grit 500**
  - 56400758 - Butcher Wire**
  - 56505790 - Short Trim Pad Holder**

**DISC BRUSH APPLICATION GUIDE (SUGGESTION ONLY)**

| Application               | 46<br>Grit | 80<br>Grit | 180<br>Grit | 240<br>Grit | 500<br>Grit | Prolene | ProLite | Union<br>Mix |
|---------------------------|------------|------------|-------------|-------------|-------------|---------|---------|--------------|
| <b>Stripping:</b>         |            |            |             |             |             |         |         |              |
| Concrete                  | X          | X          |             |             |             |         |         |              |
| Terrazzo                  | X          | X          |             |             |             |         |         |              |
| Ceramic/Quarry tile       |            | X          |             |             |             |         |         |              |
| Vinyl tile                |            | X          |             |             |             |         |         |              |
| <b>General Scrubbing:</b> |            |            |             |             |             |         |         |              |
| Concrete                  | X          | X          | X           | X           |             | X       |         |              |
| Terrazzo                  |            |            | X           | X           | X           | X       |         |              |
| Ceramic/Quarry tile       |            |            | X           | X           | X           | X       |         |              |
| Marble                    |            |            |             |             | X           |         | X       |              |
| Vinyl tile                |            |            | X           |             | X           | X       |         |              |
| Raised-rubber tile        |            |            |             |             | X           |         | X       |              |
| <b>Polishing:</b>         |            |            |             |             |             |         |         |              |
| Raised Disc Tile          |            |            |             |             |             |         |         | X            |
| Marble                    |            |            |             |             |             |         |         | X            |
| Vinyl tile                |            |            |             |             |             |         |         | X            |

|               |              |           |   |      |
|---------------|--------------|-----------|---|------|
| <b>BOOK E</b> |              |           | <b>BRUSH SELECTOR GUIDE (CYLINDRICAL)</b>                     | 00-7 |
| <b>E</b>      | <b>8.6.1</b> | <b>66</b> | <b>Hydro-Retriever™ 3800, 2042 / BR 1100, 1100C, 1100C-XL</b> | 04-5 |

We provide brushes and pad holders that will give you the best possible performance between machine and floor. Following are descriptions of the materials and their applications when used on the Hydro-Retriever™ 3800, 2042 / BR 1100, 1100C-XL cylindrical models.

- 46 Grit Brush:** Most aggressive grit brush. Used primarily to clean heavy buildup on concrete floors in factories, or for heavy stripping of finish.
- 80 Grit Brush:** Medium aggressive grit brush. Good all-around brush for medium to heavy buildup removal. Can also be used for general stripping operations.
- 180 Grit Brush:** Least aggressive grit brush. Used for daily cleaning of hard-finished floors.
- Polypropylene Brush:** Standard equipment brush. Low cost, yet effective in cleaning many common floor surfaces.
- Stiff Nylon Brush:** Cleaning action similar to polypropylene. More durable and wear-resistant than polypropylene.
- Soft Nylon Brush:** Least aggressive brush available. Used on soft-finish floors where a more aggressive brush would leave scratch marks, or in applications requiring very light cleaning.

|                  |  |                  |  |
|------------------|--|------------------|--|
|                  | <b>Hydro-Retriever™ 3800 / BR 1100</b> |                  | <b>Hydro-Retriever™ 2042 / BR 1100C-XL</b> |
| <b>Ref. No.:</b> | <b>56410294 - Soft Nylon</b>           | <b>Ref. No.:</b> | <b>56409940 - Soft Nylon</b>               |
|                  | <b>56410295 - Hard Nylon</b>           |                  | <b>56409941 - Hard Nylon</b>               |
|                  | <b>56410293 - Polypropylene</b>        |                  | <b>56409924 - Polypropylene</b>            |
|                  | <b>56410296 - 180 Grit</b>             |                  | <b>56409942 - 180 Grit</b>                 |
|                  | <b>56410297 - 80 Grit</b>              |                  | <b>56409943 - 80 Grit</b>                  |
|                  | <b>56410298 - 46 Grit</b>              |                  | <b>56409944 - 46 Grit</b>                  |

### CYLINDRICAL BRUSH APPLICATION GUIDE (SUGGESTION ONLY)

| <b>Application</b>        | <b>46 Grit</b> | <b>80 Grit</b> | <b>180 Grit</b> | <b>Polypropylene</b> | <b>Stiff Nylon</b> | <b>Soft Nylon</b> |
|---------------------------|----------------|----------------|-----------------|----------------------|--------------------|-------------------|
| <b>Stripping:</b>         |                |                |                 |                      |                    |                   |
| Concrete                  | X              | X              |                 |                      |                    |                   |
| Terrazzo                  | X              | X              |                 |                      |                    |                   |
| Ceramic/Quarry tile       |                | X              |                 |                      |                    |                   |
| Vinyl tile                |                | X              |                 |                      |                    |                   |
| <b>General Scrubbing:</b> |                |                |                 |                      |                    |                   |
| Concrete                  | X              | X              | X               | X                    | X                  |                   |
| Terrazzo                  |                |                | X               | X                    | X                  | X                 |
| Ceramic/Quarry tile       |                |                | X               | X                    | X                  | X                 |
| Marble                    |                |                | X               |                      | X                  | X                 |
| Vinyl tile                |                |                | X               | X                    | X                  | X                 |
| Raised-rubber tile        |                |                | X               |                      |                    | X                 |



---

**Austria (Sales Sub)**  
Nilfisk-Advance GmbH Phone: +43  
Voralberger Allee 46 1616 58 30 22  
A-1230 Wien Fax: +43  
[info@nilfisk-advance.at](mailto:info@nilfisk-advance.at) 1616 58 30 40  
[www.nilfisk-advance.at](http://www.nilfisk-advance.at)

---

**Belgium (Sales Sub)**  
Nilfisk-Advance NV/SA Phone: +32  
Doornveld Sphere Business Park (0)2467 60 50  
Industrie Asse 3, No. 11 Fax: +32  
B-1731 Zellik-Asse (0)2463 44 16  
[www.nilfisk-advance.be](http://www.nilfisk-advance.be)

---

**Czech Republic (Sales Sub)**  
Nilfisk-Advance s.r.o. Phone: +420  
Lysinská 44/1863 2 44 09 09 12  
143 00 Praha - Modrany +420  
Czech Republic 2 44 09 09 21 4  
Fax: +420  
2 44 40 23 93

---

**Denmark**  
Nilfisk-Advance A/S Phone: +45  
Sognevej 25 43 23 81 00  
DK-2605 Brøndby Fax: +45  
[mail@nilfisk-advance.dk](mailto:mail@nilfisk-advance.dk) 43 43 77 00  
[www.nilfisk-advance.com](http://www.nilfisk-advance.com)

---

**Denmark (Prod. Sub)**  
Gerni A/S Phone: +45  
Myntevej 2 89 12 22 00  
DK-8900 Randers Fax: +45  
[www.gerni.com](http://www.gerni.com) 86 43 14 81

---

**Denmark (Sales Sub)**  
Nilfisk-Advance Nordic A/S Phone: +45  
Sognevej 25A 43 23 40 50  
Postbox 344 Fax: +45  
DK-2605 Brøndby 43 23 40 60  
[kundeservice@nilfisk-advance.dk](mailto:kundeservice@nilfisk-advance.dk)  
[www.nilfisk-advance.dk](http://www.nilfisk-advance.dk)

---

**France (Sales Sub)**  
Nilfisk-Advance S.A. Phone: +33  
27 avenue de la Baltique 1695 98 700  
Villebon sur Yvette Fax: +33  
P.B. 246 1695 98 701  
F-91944 Courtaboeuf Cedex  
[info@nilfisk-advance.fr](mailto:info@nilfisk-advance.fr)  
[www.nilfisk-advance.fr](http://www.nilfisk-advance.fr)

---

**Germany (Sales Sub)**  
Nilfisk-Advance AG Phone: +49  
Siemensstrasse 25-27 4101 3990  
Postfach 1361 Fax: +49  
D-25462 Rellingen 4101 39 91 91  
[info@nilfisk-advance.de](mailto:info@nilfisk-advance.de)  
[www.nilfisk-advance.de](http://www.nilfisk-advance.de)

---

**Greece (Sales Sub)**  
Nilfisk-Advance A.E. Tel.: +30  
8, Thoukididou Str. 210 963 3443  
Argiroupoli Fax: +30  
Gr - 164 52 Athens 210 965 0975  
Greece

---

---

**Holland (Sales Sub)**  
Nilfisk-Advance B.V. Phone: +31  
Camerastraat 9 (2e verdieping) 36 546 07 00  
1322 BB Almere Fax: +31  
Postbus 60112 36 523 51 48  
1320 AC Almere  
[www.nilfisk-advance.nl](http://www.nilfisk-advance.nl)

---

**Ireland (Sales Sub)**  
Nilfisk-Advance Limited Phone: +35  
28 Sandyford Office Park 3 12 94 38 38  
Sandyford, Dublin 18 Fax: +35  
Ireland 3 12 94 38 45

---

**Italy (Prod & Sales Sub)**  
CFM SpA Phone: +39  
Nilfisk-Advance Div. Guardamiglio 0377 /414021  
Localita Novella III /45 1124  
I-26862 Guardamiglio (Mi) Fax: +39  
0377 51 443

---

**Italy (Prod & Sales Sub)**  
CFM S.p.A. Phone: +39  
Via Porrettana 1991 059 973 0000  
I-41059 Zocca (Modena) Fax: +39  
[cfm@cfm.it](mailto:cfm@cfm.it) 059 973 0099

---

**Norway (Sales Sub)**  
Nilfisk-Advance AS Phone: +47  
Ulvenveien 89C 23 06 75 00  
N-0581 Oslo Fax: +47  
23 06 75 01

---

**Poland (Sales Sub)**  
Nilfisk-Advance Sp.Z.O.O. Phone: +48  
05-800 Pruszków 22 738 37 50  
ul. 3-go MAJA 8 Fax: +48  
Poland 22 738 37 51

---

**Portugal (Sales Sub)**  
Nilfisk-Advance, Lda. Phone: +35  
Sintra Business Park 121 911 2670  
Zona Industrial Da Abrunheira Fax: +35  
Edificio 1, 1o A 121 911 2679  
P-2710-089 Sintra

---

**Russia (Sales Sub)**  
Nilfisk-Advance LLC Phone: 7  
Vyatskaya str. 27, bld. 7 095 783 9602  
127015 Moscow Fax: +7  
Russia 095 783 9603

---

**Spain (Sales Sub)**  
Nilfisk-Advance S.A. Phone: +34  
Torre D'Ara 93 741 2400  
Passeig del Rengle, 5 Pl.10 Fax: +34  
E-08302 Mataró (Barcelona) 93 757 8020  
[nilfisk@nilfisk-advance.es](mailto:nilfisk@nilfisk-advance.es)

---

**Sweden (Sales Sub)**  
Nilfisk -Advance A/S Phone: +46  
Sjöbjörnsvägen 5 8555 94400  
Box 44045 Fax: +46  
S-100 73 Stockholm 8555 94430  
[info@nilfisk-advance.se](mailto:info@nilfisk-advance.se)  
[www.nilfisk-advance.se](http://www.nilfisk-advance.se)

---

---

**Sweden (Prod.)**

|                     |            |
|---------------------|------------|
| Nilfisk-Advance A/S | Phone: +46 |
| Åmål Branch         | 5321 7500  |
| Strömsbergsgatan    | Fax: +46   |
| Box 127             | 5321 7595  |
| S-662 23 Åmål       |            |

---

**Switzerland (Sales Sub)**

|                            |              |
|----------------------------|--------------|
| Nilfisk-Advance AG         | Phone: +41   |
| Ringsstrasse 19            | 71 92 38 444 |
| Kirchberg/Industrie Stelzl | Fax: +41     |
| CH-9500 Wil                | 71 92 35 283 |

[www.nilfisk-advance.ch](http://www.nilfisk-advance.ch)

---

**UK (Sales Sub)**

|                         |              |
|-------------------------|--------------|
| Nilfisk-Advance Limited | Phone: +44   |
| Newmarket Road          | 1284 763163  |
| Bury St. Edmunds        | Fax: +44     |
| UK-Suffolk IP33 3SR     | 1284 750 562 |

---

**USA (Prod.)**

|  |               |
|--|---------------|
| Nilfisk-Advance Inc.   | Phone: +1 763 |
| 14600 21.st Avenue North   | 745 3500      |
| Plymouth, MN 55447-3408  | Fax: +1 763   |
| <a href="http://www.mn.nilfisk-advance.com">www.mn.nilfisk-advance.com</a> | 745 3718      |

---

**USA (Sales Sub)**

|  |               |
|--|---------------|
| Nilfisk-Advance America Inc.   | Phone: +1 610 |
| 300 Technology Drive   | 647 6420      |
| Malvern, PA 19355  | Fax: +1 610   |
| <a href="http://www.pa.nilfisk-advance.com">www.pa.nilfisk-advance.com</a> | 647 6427      |

---

**Canada (Sales Sub)**

|                              |                |
|------------------------------|----------------|
| Nilfisk-Advance Canada Comp. | Phone: + 1 905 |
| 396 Watline Avenue           | 712 3260       |
| Mississauga, Ontario L4Z 1X2 | Fax: +1 905    |
|                              | 712 3255       |

---

**Australia (Sales Sub)**

|  |                |
|--|----------------|
| Nilfisk-Advance Pty. Ltd.  | Phone: +61(0)2 |
| 48 Egerton Street  | 9648 2700      |
| Silverwater, NSW 2128  | Fax: +61(0)2   |
| Postal addresse:   | 9648 2711      |
| PO Box 6046  |                |
| Silverwater. NSW 1811  |                |
| <a href="mailto:info@nilfisk-advance.com.au">info@nilfisk-advance.com.au</a> |                |
| <a href="http://www.nilfisk-advance.com.au">www.nilfisk-advance.com.au</a>   |                |

---

**China (Shenzhen)**

|                                     |                |
|-------------------------------------|----------------|
| Nilfisk-Advance (Shenzhen) Ltd      | Phone: +86 755 |
| Blok 3, Unit 130, 1001 Honghua Road | 8359 7937 el.  |
| Int. Commercial & Trade Center      | 8359 7939-42   |
| Fuitian Free Trade Zone             | Fax: +86 755   |
| 518038 <b>Shenzhen</b>              | 8359 1063      |
| P.R. China                          |                |

---

**China (Suzhou)**

|                                      |                |
|--------------------------------------|----------------|
| Nilfisk-Advance Professional         | Phone: +86 512 |
| Cleaning Equipment (Suzhou) Co. Ltd. | 8918 5656      |
| 306 Su Hong Zhong Road, Build. 2     | Fax: +86 512   |
| Suzhou Industrial Park               | 8918 5666      |
| 215021 <b>Suzhou</b>                 |                |
| P.R. China                           |                |

---

---

**Hong Kong (Sales Sub)**

|                                    |             |
|------------------------------------|-------------|
| Nilfisk-Advance Ltd.               | Phone: +852 |
| 2001 HK Worsted Mills Ind'l Bldg., | 2427 5951   |
| 31-39 Wo Tong Tsui St.             | Fax: +852   |
| Kwai Chung, Hong Kong              | 2487 5828   |

---

**Japan (Sales Sub)**

|                               |              |
|-------------------------------|--------------|
| Nilfisk-Advance Inc.          | Phone: +8145 |
| 3-17-40-101 Chigasaki Higashi | 942 7741     |
| Tsuzuki-ku, Yokohama 224-0033 | Fax: +8145   |
| Japan                         | 942 6545     |

---

**Malaysia (Sales Sub)**

|                         |              |
|-------------------------|--------------|
| Nilfisk-Advance Sdn Bhd | Phone: +60 3 |
| No. 21, Jalan SS 25/41  | 7956 8188    |
| Mayang Industrial Park  | Fax: +60 3   |
| 47301 Petaling Jaya     | 7966 6828    |
| Selangor, Malaysia      |              |

---

**New Zealand (Sales Sub)**

|                         |                |
|-------------------------|----------------|
| Nilfisk-Advance Limited | Phone: +64(0)9 |
| Danish House            | 525 0092       |
| 6 Rockridge Avenue      | Fax: +64(0)9   |
| Penrose 92-829          | 525 6440       |
| Auckland 1135           |                |
| Postal addresse:        |                |
| Private Bag 92 825      |                |
| Auckland                |                |
| New Zealand             |                |

---

**Singapore (Sales Sub)**

|  |             |
|--|-------------|
| Nilfisk-Advance Pte. Ltd.  | Phone: + 65 |
| 22, Woodlands Industrial Park E1   | 6 7599100   |
| Singapore 757740   | Fax: +65    |
| <a href="mailto:sales@nilfisk-advance.com.sg">sales@nilfisk-advance.com.sg</a> | 7599133     |

---

**Taiwan, ROC (Sales Sub)**

|                       |             |
|-----------------------|-------------|
| Nilfisk-Advance Ltd.  | Phone: +886 |
| Taiwan Branch (H.K.)  | 2 2239 8812 |
| 1F, No. 193, Sec.2    | Fax: +886   |
| Xing Long Rd., Taipei | 2 2239 8832 |
| Taiwan, R.O.C.        |             |

---

**Thailand (Sales Sub)**

|                                 |              |
|---------------------------------|--------------|
| Nilfisk-Advance Co. Ltd.        | Phone: +66 2 |
| 89 Soi Chokechai-Ruammitr       | 275-5630     |
| Viphavadee-Rangsit Road         | Fax: +66 2   |
| Ladyao, Jatuchak, Bangkok 10900 | 691-4079     |
| Thailand                        |              |



[www.nilfisk-advance.com](http://www.nilfisk-advance.com)

© 2005 Printed in USA