

BA 430

Model:
BA 430



Part List US-English

01-10-2008

Table of Contents

BA 430

Material composition	3
Chassis system	5
Handle system	7
Solution system	9
Recovery system	11
Squeegee system	13
Brush drive system	15
Electrical system	18
Brush / disc selector	20

Material composition

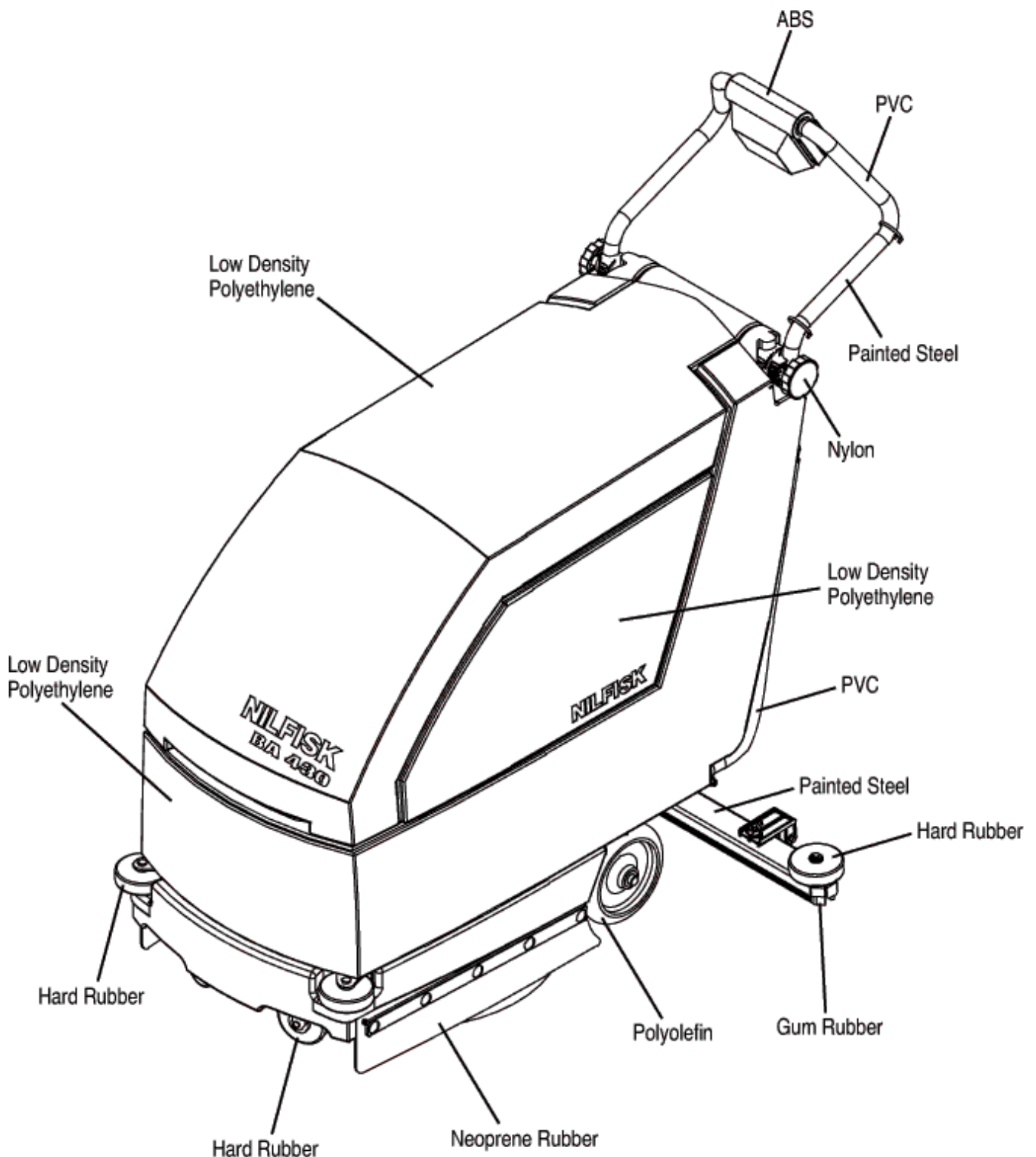
BA 430

01-10-2008

Part List ID
BA430MATERIAL

3

Material composition of the Nilfisk BA 430



Material composition

BA 430

01-10-2008

Part List ID
BA430MATERIAL

4

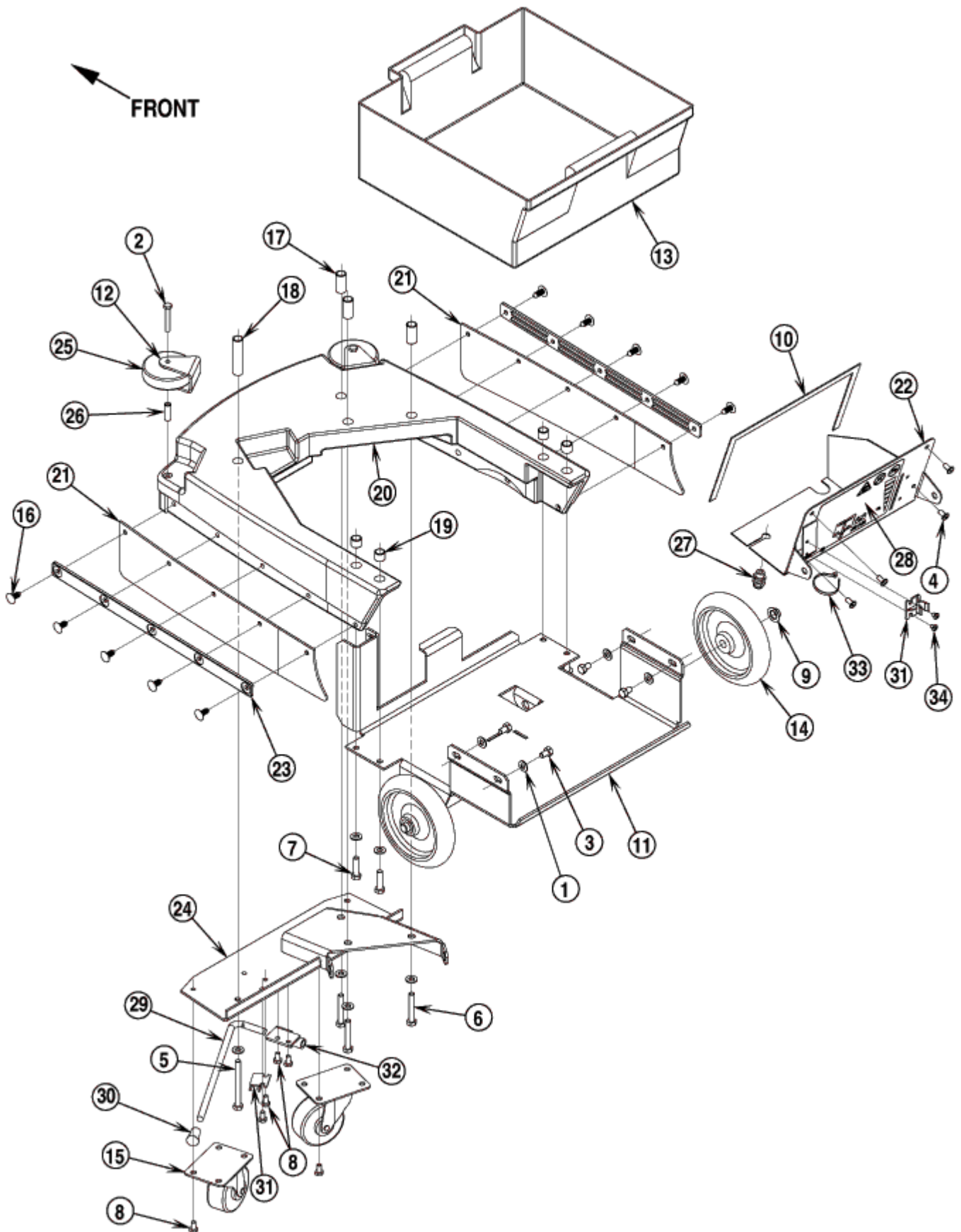
Chassis system

BA 430

01-10-2008

Part List ID
E2613

5



Chassis system

BA 430

01-10-2008

Part List ID
E2613

6

Pos	Part no.	Qty	Description	EAN
1	56001939	12	WSH FLT SAE 5/16	
2	56001967	2	SCR HEX 1/4-20 X 1.75	
3	56001862	4	SCR HEX 5/16-18 X .50	
4	56003119	4	SCR PAN PHIL SS 1/4-20 X .50	
5	56003370	1	SCR HEX LOC SS 5/16-18X 3.25	
6	56003371	3	SCR HEX LOC SS 5/16-18X 2.0	
7	56003372	4	SCR HEX LOC SS 5/16-X18X 1.25	
8	56009033	8	SCR HEX THD FORM 1/4-20X.50	
9	56009097	2	NUT PUSH CAP 1/2	
10	56330682	2	GASKET 1/16X1/2X120HC525F	
11	56302116	1	BATTERY BOX WLDMT	
12	56302132	2	WHEEL BRACKET	
13	56302143	1	BATTERY TRAY	
14	56302151	2	WHEEL	
15	56302319	2	CASTER	
16	56497860	10	RETAINER PANEL	
17	56302191	3	SPACER	
18	56302192	1	SPACER	
19	56302193	4	SPACER	
20	56302201	1	SKIRT	
21	56302205	2	BLADE DECK FABRIC	
22	56302208	1	CONTROL PANEL WLDMT	
23	56302211	2	STRAP BLADE	
24	56302213	1	MOUNT WELDMENT	
25	56324499	2	WHEEL 3.00X.781 HC315	
26	56360139	2	BUSHING SPACER CT12J	
27	56456027	1	STRAIN RELIEF E00220	
28	56015939	1	DECAL CONTROL PANEL	
29	56302247	1	ROD	
30	56302244	1	TIP RUBBER	
31	56302248	2	CLIP	
32	56302249	1	KICKSTAND WELDMENT	
33	56478246	1	CABLE TIE E00549 RE438BA	
34	56002950	2	NUT HEX NYL LOC 5/16-24	

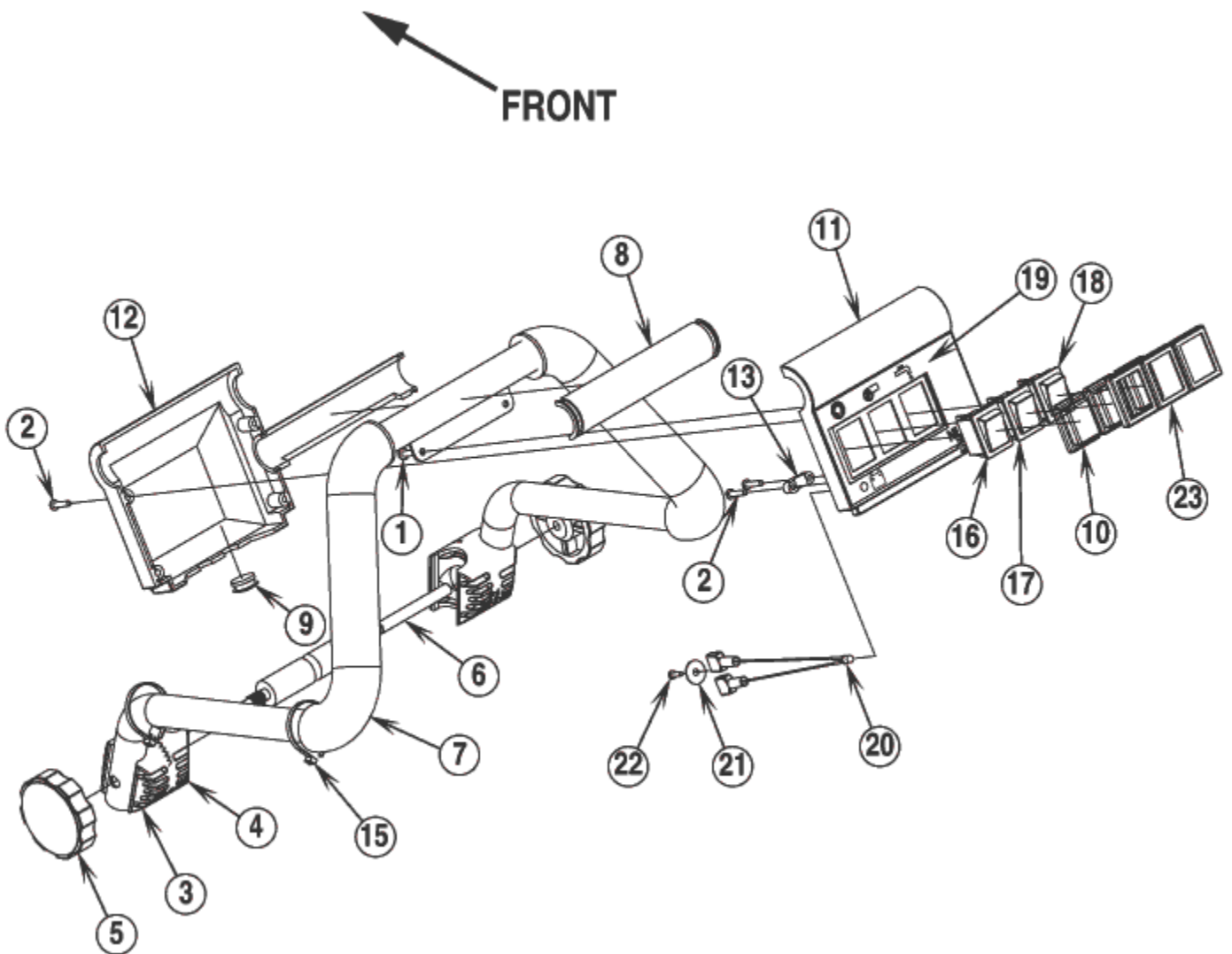
Handle system

BA 430

01-10-2008

Part List ID
E2615

7



Handle system

BA 430

01-10-2008

Part List ID

E2615

8

Pos	Part no.	Qty	Description	EAN
1	56003354	2	SCR PAN PHIL M3.9 X 12.0	
2	56003356	6	SCR PAN PHIL M3.5 X 16.0	
3	56264118	2	RATCHET HANDLE ADJ.	
4	56264123	2	RATCHET HANDLE ADJ.	
5	56302167	2	KNOB	
6	56302227	2	SCREW PIVOT	
7	56302228	1	HANDLE WELDMENT	
8	56302230	2	SPACER MOLDED	
9	56302232	1	PLUG MOLDED	
10	L08603193	3	COVER CPL,SWITCH	
11	146 1794 000	1	SWITCH HOUSING,FRONT	
12	L08603148	1	SWITCH HOUSING REAR	
13	L08600168	1	BLOCK, CABLE FIXING	
15	56478246	2	CABLE TIE E00549 RE438BA	
16	909 5667 000	1	SWITCH COMPLETE	
17	909 5667 000	1	SWITCH COMPLETE	
18	909 5667 000	1	SWITCH COMPLETE	
19	56015960	1	DECAL CONTROL PANEL	
20	56302240	1	LED INDICATOR ASSY	Low battery
21	56200190	1	WSH FLT FIBRE .170HP2J	
22	56003194	1	SCR PAN PHIL PLASTITE 4-24X.38	
23	L08603193	3	COVER CPL,SWITCH	

Solution system

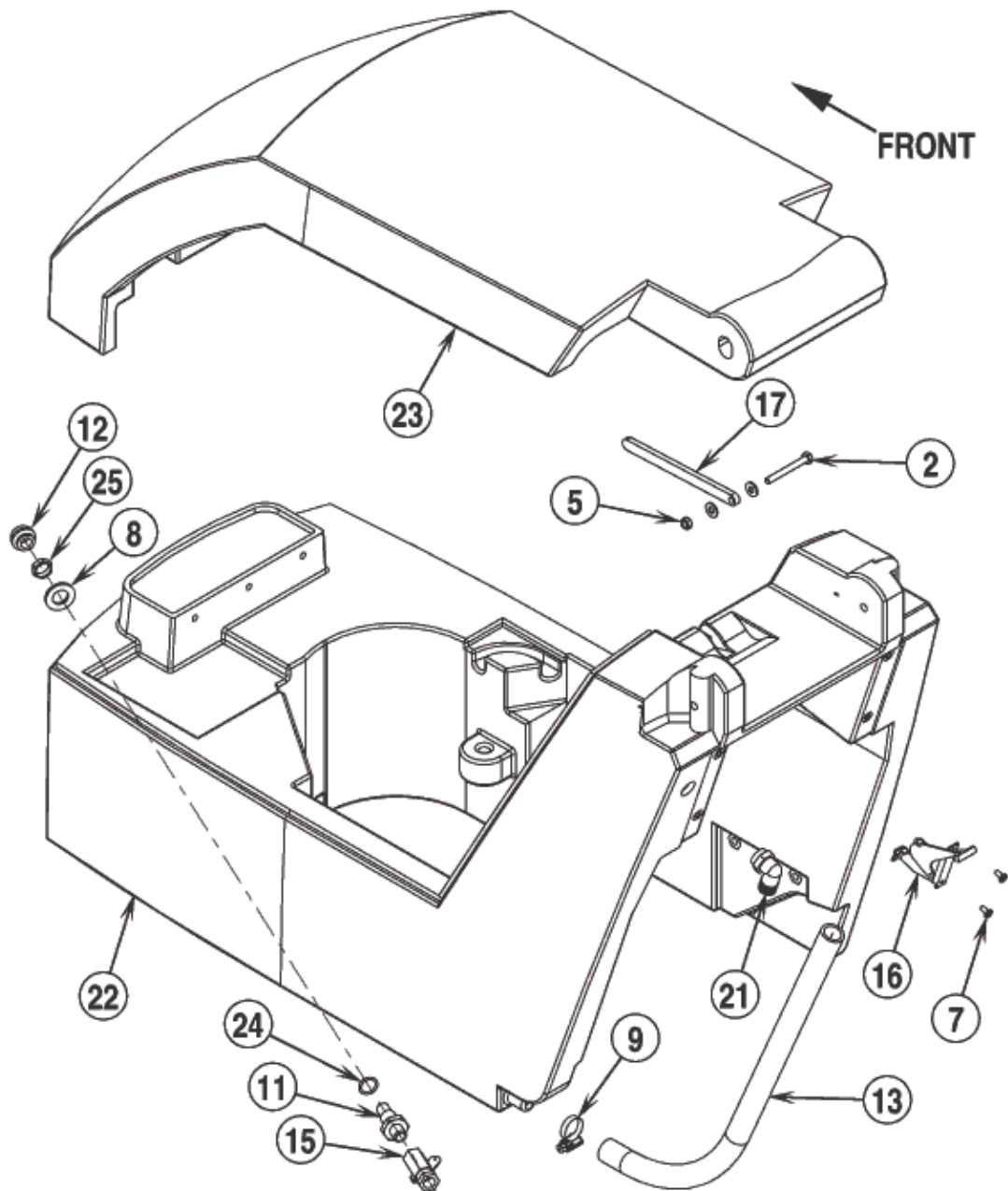
BA 430

01-10-2008

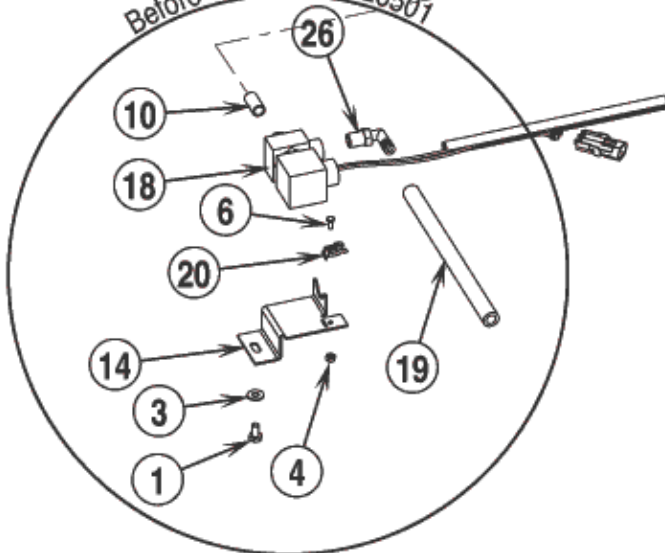
Part List ID

E2617

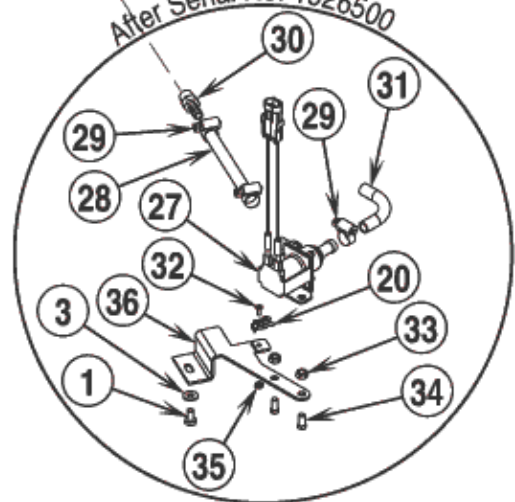
9



Before Serial No. 1526501



After Serial No. 1526500



Solution system

BA 430

01-10-2008

Part List ID E2617

10

Pos	Part no.	Qty	Description	EAN
1	56001854	1	SCR HEX 1/4-20 X .50	
2	56001856	1	SCR HEX 1/4-20 X 2.25	
3	56002098	3	WSH FLT SAE 1/4	
4	56002830	1	NUT HEX NYL LOC 6-32	
5	56002840	1	NUT HEX NYL LOC-THIN 1/4-20	
6	56003068	1	SCR HEX 6-32 X .38	
7	56009030	2	SCR PAN PHIL THD FOM 10-24X.38	
8	56009218	1	WSH FLT .688 X 1.250 X .125	
9	56112771	1	CLAMP HOSE SAE 10 E00047	
10	56150223	1	NIPPLE 1/4 CLOSE BRG14E E00057	
11	56172075	1	NIPPLE1/4NPTX5/8-18	
12	56172096	1	STRAINER	
13	56261262	1	HOSE E00521	
14	56302133	1	SOLUTION CABLE BRKT	
15	56302158	1	VALVE 1 WAY	
16	56302159	1	CONTROL CABLE	
17	56302206	1	BAR SUPPORT	
18	56302226	1	SOLUTION VALVE ASSY.	TSBUS2001-785
18	56324506	1	VITON SEAL KIT	
18	56324507	1	EPDM SEAL KIT	
19	56249682	1	TUBE E00603	
20	56344265	1	CLAMP CABLE AS510A	
21	56456802	1	ELBOW 3/4 X 3/4 E00037	
22	56302203	1	SOLUTION TANK	
23	56302204	1	SOLUTION TANK COVER	
24	56742552	1	O-RING -114 NBR 70 2052-5	
25	56745860	1	NUT JAM .625-18 BR AC510D	
26	56900036	1	ELBOW BARB E00037	
27	56302013	1	SOLUTION VALVE ASSY.	TSBUS2001-785
28	56302017	1	HOSE PVC 5.0" E00169	
29	56219932	1	CLAMP HOSE SAE 6 E00047	
30	56900034	1	ADAPTER BARB E00039	
31	56302015	1	HOSE PVC 4.0" E00603	
32	56002909	1	SCR PAN PHIL SS 6-32 X .38	
33	56002491	1	NUT HEX NYL LOC SS 1/4-20	
34	56003047	1	SCR HEX SS 1/4-20 X .62	
35	56002964	1	NUT HEX NYL LOC THIN SS 6-32	
36	56302009	1	BRACKET CABLE	

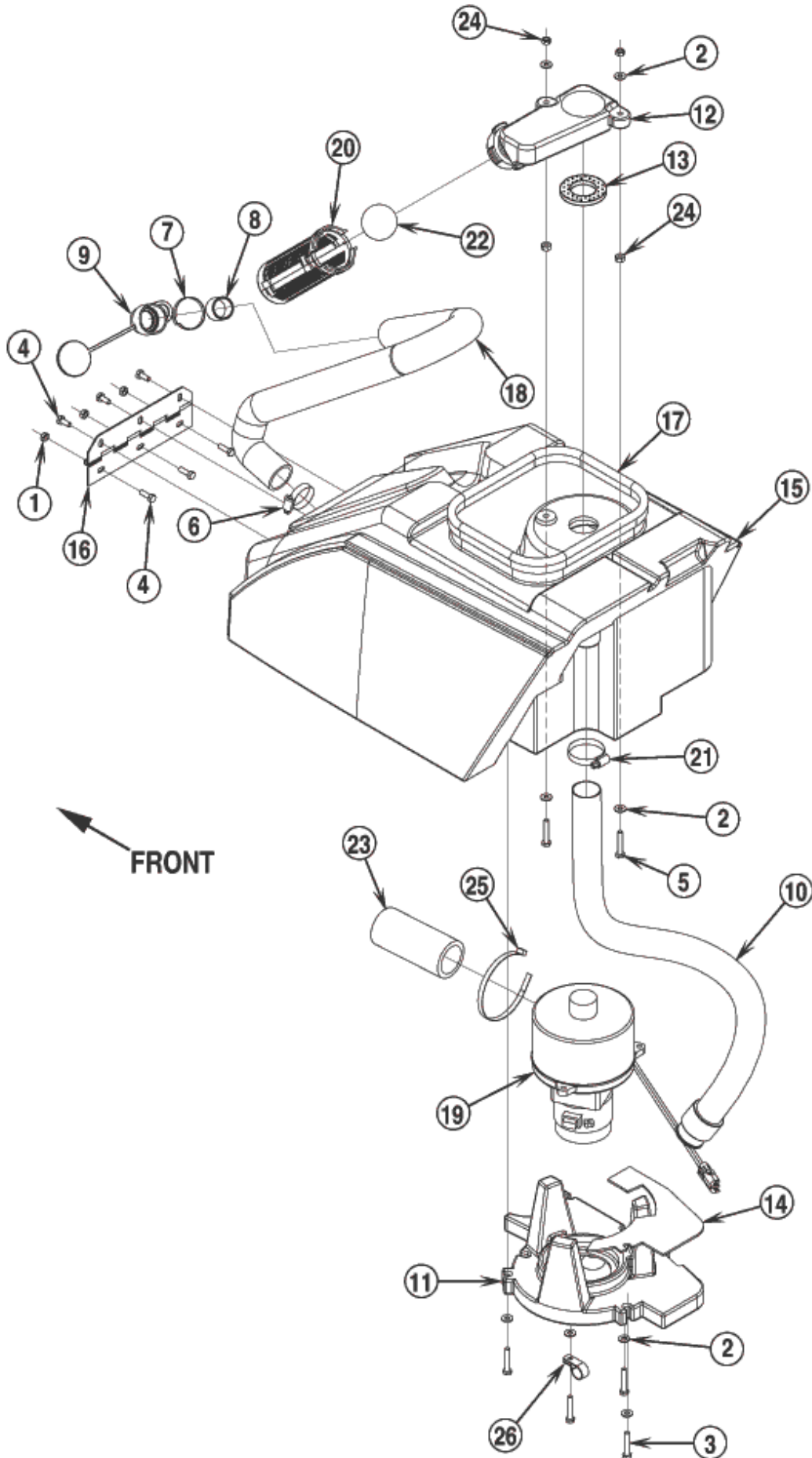
Recovery system

BA 430

01-10-2008

Part List ID E2619

11



Recovery system

BA 430

01-10-2008

Part List ID E2619

12

Pos	Part no.	Qty	Description	EAN
1	56002491	3	NUT HEX NYL LOC SS 1/4-20	
2	56002859	8	WSH FLT SAE SS 1/4	
3	56002901	4	SCR HEX SS 1/4-20 X 1.50	
4	56003047	6	SCR HEX SS 1/4-20 X .62	
5	56003125	2	SCR HEX THD/HD SS 1/4-20X1.50	
6	56131601	1	CLAMP HOSE SAE 16 E00047	
7	56209547	1	CLAMP E00599	
8	56261266	1	TUBE	
9	56209506	1	PLUG DRAIN	
10	56262574	1	VAC HOSE 1.50" ASSY.	
11	56302141	1	VACUUM MOTOR DUCT	
12	56302142	1	FLOAT DUCT	
13	56302165	1	GASKET	
14	56302182	1	GASKET	
15	56302202	1	RECOVERY TANK	
16	56302214	1	HINGE	
17	56302553	4	GASKET	
18	56302233	1	HOSE ASSY	
19	56302241	1	FILTER CAPACITOR ASSY	
19	56302242	1	VAC MOTOR ASSY	
19	56324491	1	MOTOR VAC 24V	
19	56409688	2	SPLICE PARALLEL	
19	56459263	2	SEAL WEATHERPACK	for 56462360
19	56459264	2	TERM.W.P.MALE	for 56462360
19	56462360	1	CONN WR PK MALE 2 W	
19	56503003	1	CARBON BRUSH (2 BRUSHES)	
19	56900904	4	TUBING HEATSHRINK 3/8CM)	10.16 cm
20	56324497	2	FLOAT CAGE	
21	56329145	1	CLAMP HOSE SAE 24 E00047	
22	56391690	1	BALL FLOAT	
23	56391807	1	FOAM ACCOUSTICAL	
24	56003145	4	NUT HEX JAM SS 1/4-20	
25	56477613	1	CABLE TIE E00549 RE409S	
26	56486112	1	CLAMP P	

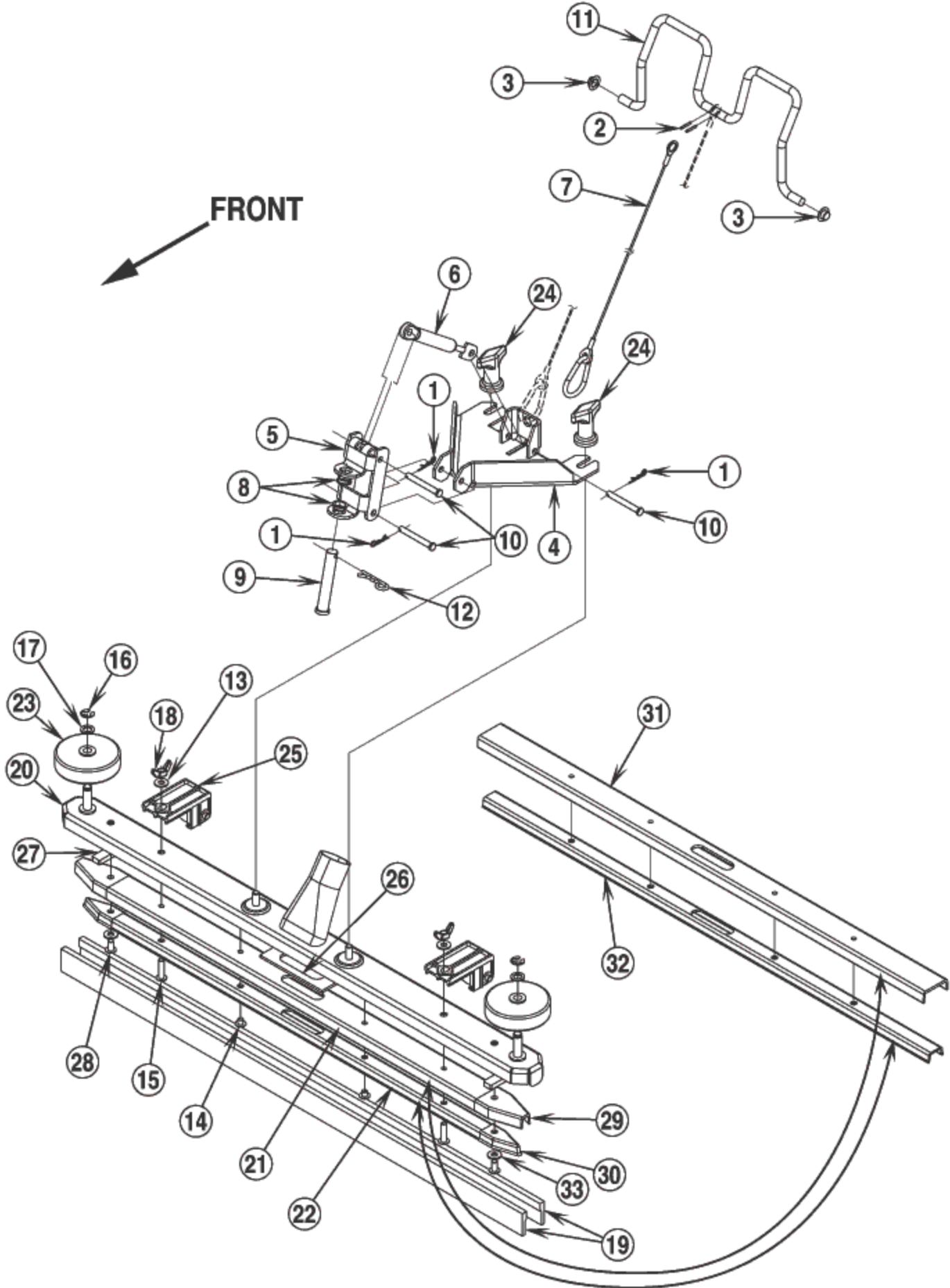
Squeegee system

BA 430

01-10-2008

Part List ID E26111

13



Squeegee system

BA 430

01-10-2008

Part List ID
E26111

14

Pos	Part no.	Qty	Description	EAN
0	56302197	1	SQUEEGEE CARTRIDGE ASSY	For machines built before February 2000
0	56302326	1	SQUEEGEE CARTRIDGE ASSY	For machines built after January 2000
1	56003332	3	PIN COT HAIR .042X.188	
2	56003343	2	PIN SPR .09 X .625	
3	56009123	2	NUT PUSH CAP 3/8	
4	56302127	1	SQUEEGEE MOUNT	
5	56302131	1	PIVOT BRACKET	
6	56302153	1	GAS SPRING	Cylinder
7	56302162	1	CABLE	Squeegee lift
8	56302164	2	NYLON BEARING	
9	56003191	1	PIN CLEVIS .50 X 3.00	
10	56003192	3	PIN CLEVIS .250 X 2.00	
11	56302190	1	HANDLE	Squeegee lift
12	56003222	1	PIN COT HAIR .125 X DIA.50/.75	
12	56003222	1	PIN COT HAIR .125 X DIA.50/.75	
12	56302145	1	SQUEEGEE ASSEMBLY	Pos. 13-30
13	56002098	2	WSH FLT SAE 1/4	
14	56003037	2	SCR PAN PHIL SS 1/4-20 X .25	
15	56003067	2	SCR. PAN PHIL. SS 1/4-20-1.00	
16	56003269	2	RING RET EXT TYPE E REINF	
17	56009047	4	WSH FLT .391X.625X.060	
18	56009048	2	NUT WING LOC 1/4-20	
19	56105569	2	BLADE SQUEEGEE PU	
20	56302146	1	CHANNEL WELDMENT	
21	56302323	1	CHANNEL	
22	56302324	1	RETAINER	
23	56324499	2	WHEEL 3.00X.781 HC315	
24	56370711	2	NUT THUMB	
25	56387376	2	ROLLER ASSEMBLY	
26	56400613	1	GASKET .12X1.50X4.0	
27	56400614	2	GASKET .25X.50X1.50	
28	56003119	2	SCR PAN PHIL SS 1/4-20 X .50	
29	56302316	2	SQUEEGEE HOUSING	
30	56302315	2	SQUEEGEE CARTRIDGE END CAP	
31	56302180	1	CHANNEL	before February 2000
32	56302181	1	RETAINER	before February 2000

Brush drive system

BA 430

01-10-2008

Part List ID
E26113

16

Pos	Part no.	Qty	Description	EAN
0	909 5175 000	1	SPLASH GUARD KIT 430/450BA/CA 430/450	
1	56002037	2	SCR HEX 5/16-18 X .88	
2	56002063	1	WSH FLT SAE 3/8	
3	56002701	2	NUT HEX NYL LOC 5/16-18	
4	56002956	4	SCR HEX LOC 5/16-18 X .75	
5	56003335	1	SCR HEX LOC SS 5/16-18 X .88	
6	56003338	4	SCR. HEX LOC SS 3/8-16X.75	
7	56009122	1	WSH FLT .344X.938X.125	
8	56302108	1	LINKAGE WELDMENT	
9	56302112	1	MOTOR MOUNT WLDMT	
10	56302321	1	PEDAL ASSEMBLY	Obsolete ordre item 22 to replace
11	56302086	1	LUG & PLATE KIT	TSBUS2001-682
12	56302144	1	MOTOR BRUSH DRIVE	
13	56302155	1	GASKET	
14	56302160	1	SPRING EXTENSION	Spring hooks into second notch from bottom a both
15	56302164	6	NYLON BEARING	
16	56302172	1	ROD WELDMENT	
17	56320595	6	640BUSHING .31X.50X.28HC18M	
18	56452141	1	SPRING COMPRESSION E00453	
19	56302173	1	GRIP SURFACE	
20	56506006	1	NP92 CLUTCH PLATE	Plastic / NP-92
21	56505270	1	PAD HOLDER-17 NP92 LEV SET	
21	56505910	1	PAD HOLDER-17 NP92 CLUTCH	Optional
21	56505913	1	DISC BRUSH-17 AGLITE 3 LUG	
21	56505914	1	DISC BRUSH-17 PROLENE 3 LUG	
21	56505915	1	DISC BRUSH-17 PROLITE	
21	56505916	1	DISC BRUSH-17 UNION MIX 3 LUG	
21	56505917	1	DISC BRUSH-17 MIDGRIT 3 LUG	
21	56505918	1	DISC BRUSH-17 MDLITE 3 LUG	
22	56302321	1	PEDAL ASSEMBLY	after January 2000
23	56302325	1	LOWER PEDAL WELDMENT	
24	56003620	1	PIN CLEVIS .500 X 2.25	
25	56302314	1	UPPER PEDAL WELDMENT	
26	56721255	1	PAD FOOT PEDAL	
27	56302313	1	BRUSH HOLDER, MACHINED	
28	56009030	1	SCR PAN PHIL THD FOM 10-24X.38	
29	56009096	1	WSH FLT .193X.875X.060	
30	56397081	1	SPRING RETAINER	
30	56505780	1	PAD HOLDER-17 3 LUG	
30	56505781	1	DISC BRUSH-17 MAGNAGRIT 3 LUG	
30	56505782	1	DISC BRUSH-17 DYNAGRIT 3 LUG	
30	56505783	1	DISC BRUSH-17 AGLITE 3 LUG	
30	56505784	1	DISC BRUSH-17 PROLENE 3 LUG	

Brush drive system

BA 430

01-10-2008

Part List ID E26113

17

Pos	Part no.	Qty	Description	EAN
30	56505785	1	DISC BRUSH-17 PROLITE 3 LUG	
30	56505786	1	DISC BRUSH-17 UNION MIX 3 LUG	
30	56505787	1	DISC BRUSH-17 MIDGRIT 3 LUG	
30	56505788	1	DISC BRUSH-17 MIDLITE 3 LUG	

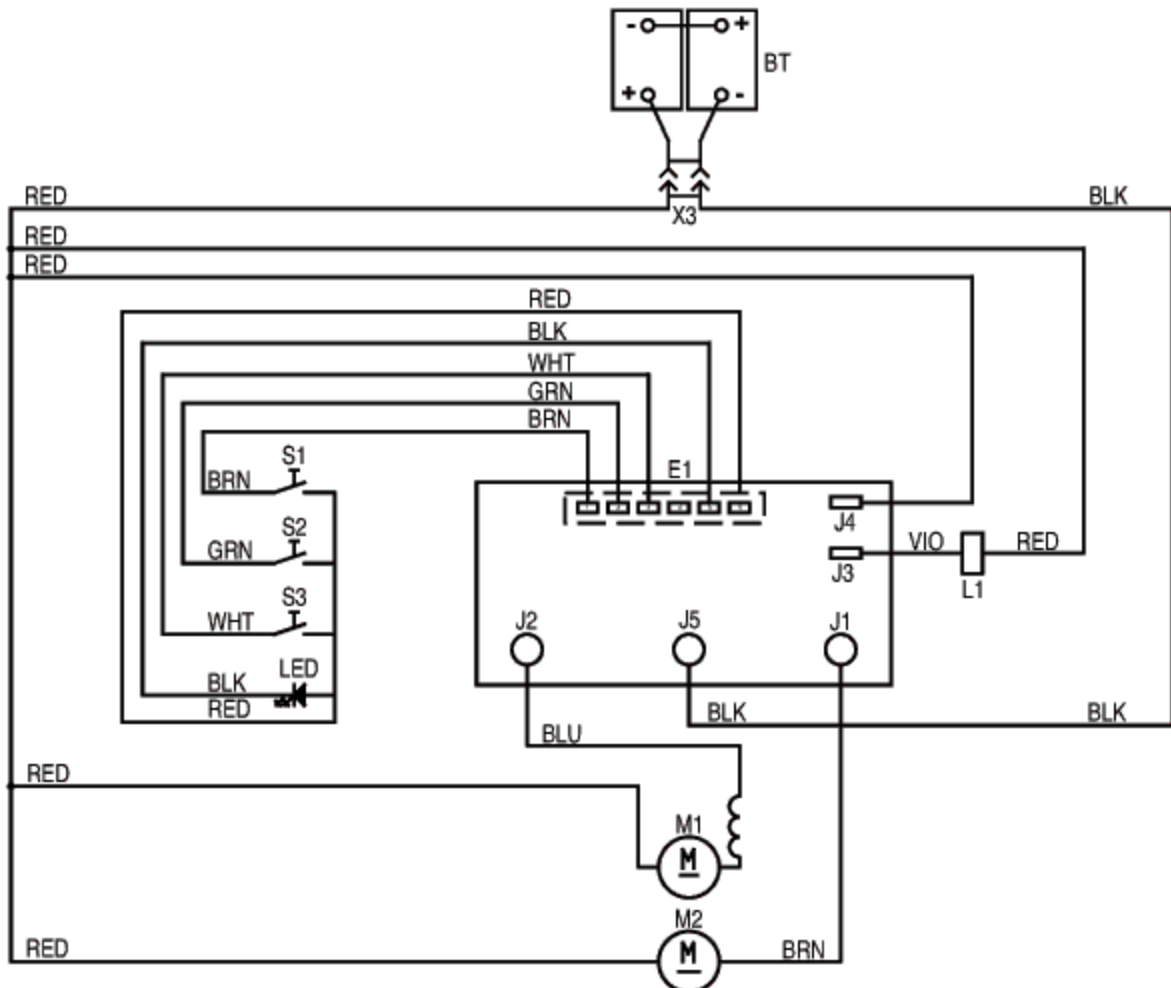
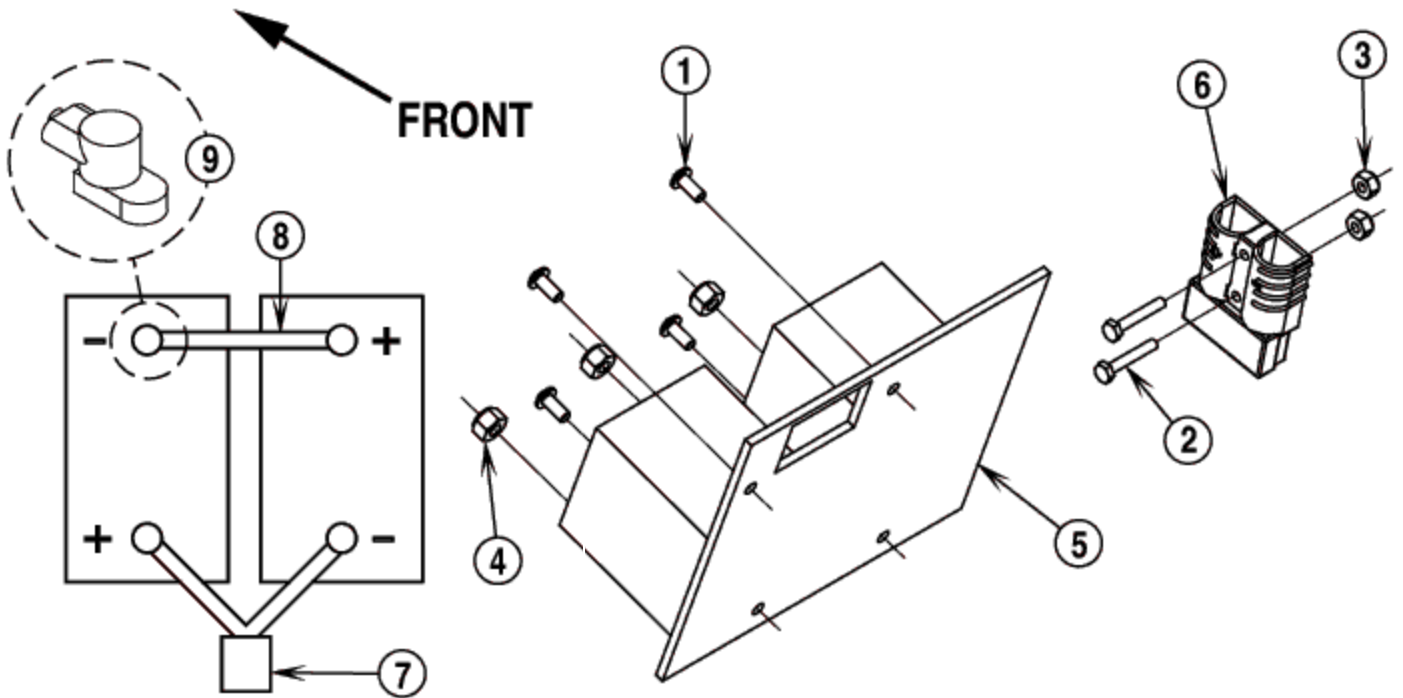
Electrical system

BA 430

01-10-2008

Part List ID
E26115

18



Electrical system

BA 430

01-10-2008

Part List ID
E26115

19

Pos	Part no.	Qty	Description	EAN
1	56009144	4	SCR PAN NYLON SLT 8-32 X.38	
2	56002582	2	SCR HEX 6-32 X .88	
3	56002830	2	NUT HEX NYL LOC 6-32	
4	56002873	3	NUT HEX NYL LOC 10-32	
5	56302089	1	CONTROLLER KIT	TSBUS2001-785
6	56302179	2	CONTACT	
6	56324305	1	CONNECTOR (RED 24V-50)	Part of Wiring Harness 56302237
7	56302166	2	CONTACT	
7	56302174	1	PLUG ASSEMBLY	w/cables
8	56302225	1	CABLE ASSY.	
9	56302194	4	BATTERY INSULATOR CAP	
9	56302196	1	OPTIONAL BATTERY CART	
9	56302198	1	HOUR METER KIT	
9	56302237	1	WIRING HARNESS	
E1	56302089	1	CONTROLLER KIT	TSBUS2001-785
L1	56302013	1	SOLUTION VALVE ASSY.	after SN1526500 - TSBUS2001-785
L1	56302226	1	SOLUTION VALVE ASSY.	before SN1526501 - TSBUS2001-785
M1	56324489	1	VAC MOTOR ASSEMBLY	
M2	56302144	1	MOTOR BRUSH DRIVE	
X3	56302179	2	CONTACT	
X3	56324305	1	CONNECTOR (RED 24V-50)	Part of Wiring Harness 56302237
LED	56302240	1	LED INDICATOR ASSY	Low battery

Brush / disc selector

BA 430

01-10-2008

Part List ID
E26116

20



Brush / disc selector

BA 430

01-10-2008

Part List ID
E26116

21

Pos	Part no.	Qty	Description	EAN
0	56105569	1	BLADE SQUEEGEE PU	
0	56302205	1	BLADE DECK FABRIC	
0	56302257	1	BA430 WEAR PACK	
0	56505270	1	PAD HOLDER-17 NP92 LEV SET	
0	56505910	1	PAD HOLDER-17 NP92 CLUTCH	
0	56505911	1	DISC BRUSH-17 MAGNAGRIT 3 LUG	
0	56505912	1	DISC BRUSH-17 DYNAGRIT CLUTCH	
0	56505913	1	DISC BRUSH-17 AGLITE 3 LUG	
0	56505914	1	DISC BRUSH-17 PROLENE 3 LUG	
0	56505915	1	DISC BRUSH-17 PROLITE	
0	56505916	1	DISC BRUSH-17 UNION MIX 3 LUG	
0	56505917	1	DISC BRUSH-17 MIDGRIT 3 LUG	
0	56505918	1	DISC BRUSH-17 MIDLITE 3 LUG	