

# BA 340

---

Model:  
BA 340



Part List US-English

27-03-2015

# Table of Contents

BA 340

<b>Chassis system</b>	<b>3</b>
<b>Battery housing</b>	<b>5</b>
<b>Two-tank version</b>	<b>7</b>
<b>Solution system</b>	<b>9</b>
<b>Brush drive system</b>	<b>11</b>
<b>Squeegee assembly</b>	<b>13</b>
<b>Vacuum system</b>	<b>15</b>
<b>Frame system</b>	<b>17</b>
<b>Handle bar</b>	<b>19</b>
<b>Wiring system 1</b>	<b>21</b>
<b>Wiring system 2</b>	<b>23</b>

# Chassis system

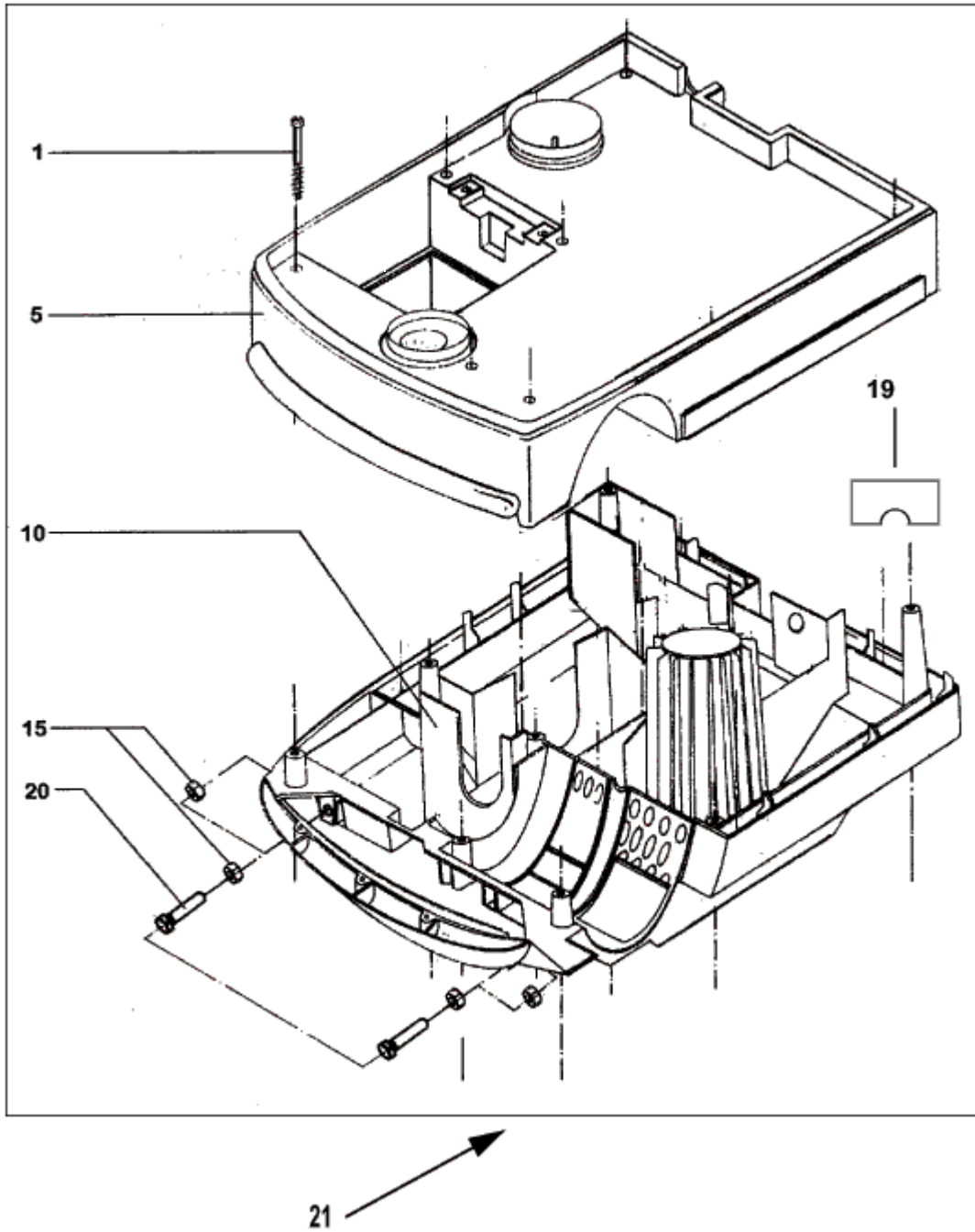
BA 340

27-03-2015

Part List ID

E1912

3



# Chassis system

BA 340

27-03-2015

Part List ID

E1912

4

Pos	Part no.	Qty	Description
1	909 5893 000	8	SCREW 6X60 PAN PHIL W/O BIT F PLASTIC
5	L08603367	1	FRAME.UPPER
10	L08603368	1	FRAME.LOWER RAL7016
15	L08603206	4	NUT HEX M8 UNI5588 SS
20	L08603219	2	SCREW M8X30 HEX HD F/THD SS ISO4017
21	L08603741	1	CHASSIS KIT

# Battery housing

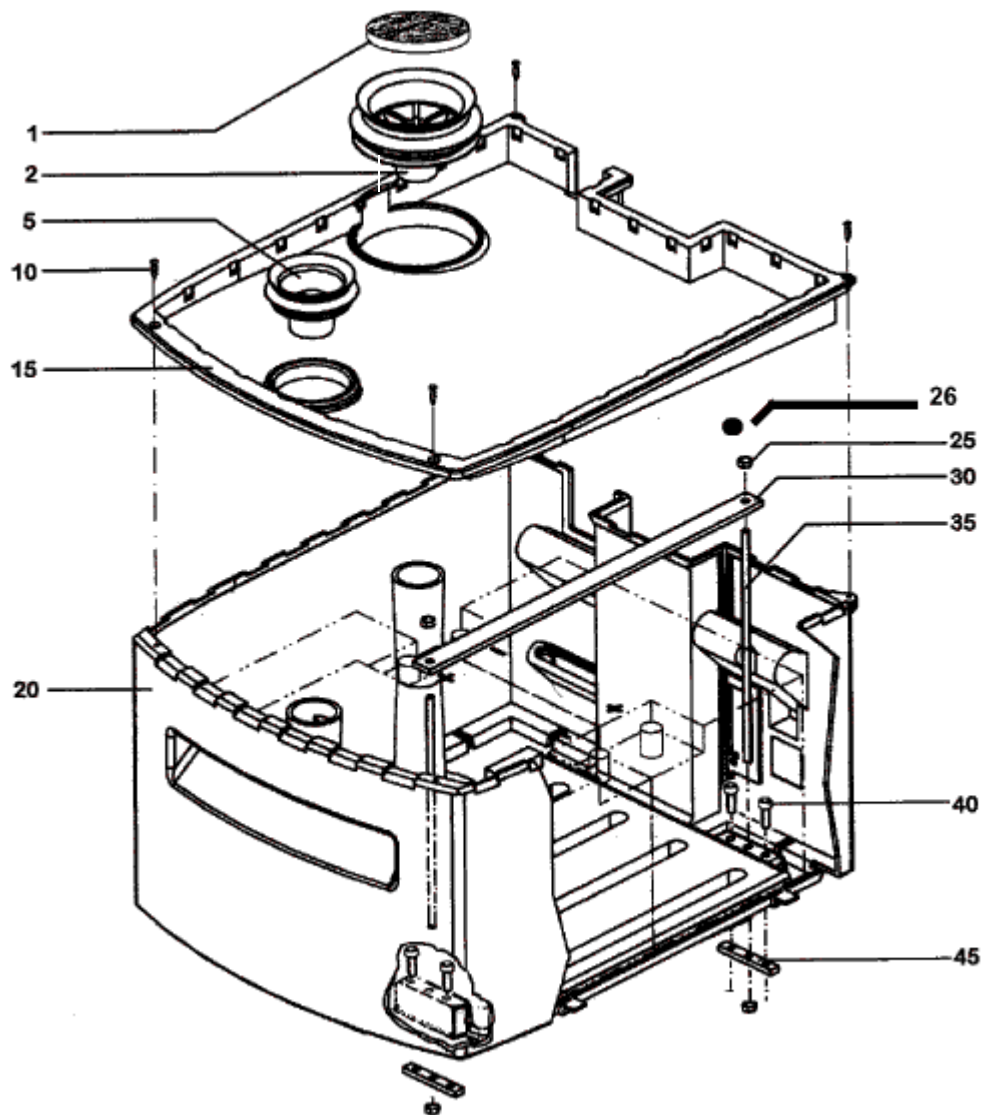
BA 340

27-03-2015

Part List ID

E1914

5



# Battery housing

BA 340

27-03-2015

Part List ID

E1914

6

Pos	Part no.	Qty	Description
0	L08812103	1	CONTAINER BATTERY WITH CHARGER KIT
1	L08603096	1	PRE FILTER VACUUM MOTOR D 80 T 20
2	L08812043	1	SEAL
5	L08812044	1	SEAL
10	145 5874 000	4	SCREW 4.8X16 SELF PAN HD PHIL ISO7049
15	L08603395	1	BATTERY HOUSING UP
20	L08603396	1	BATTERY HOUSING DOWN
25	33005502	2	NUT HEX M6 UNI5588
26	33005604	2	NUT SELF L. M6 UNI7474
30	L08812047	1	STRIP
35	L08812045	2	ROD THREADED F BATTERY FIXING
40	L08603706	4	SCREW M6X12 PAN HD PHIL ISO7045
45	L08812046	2	STRIP

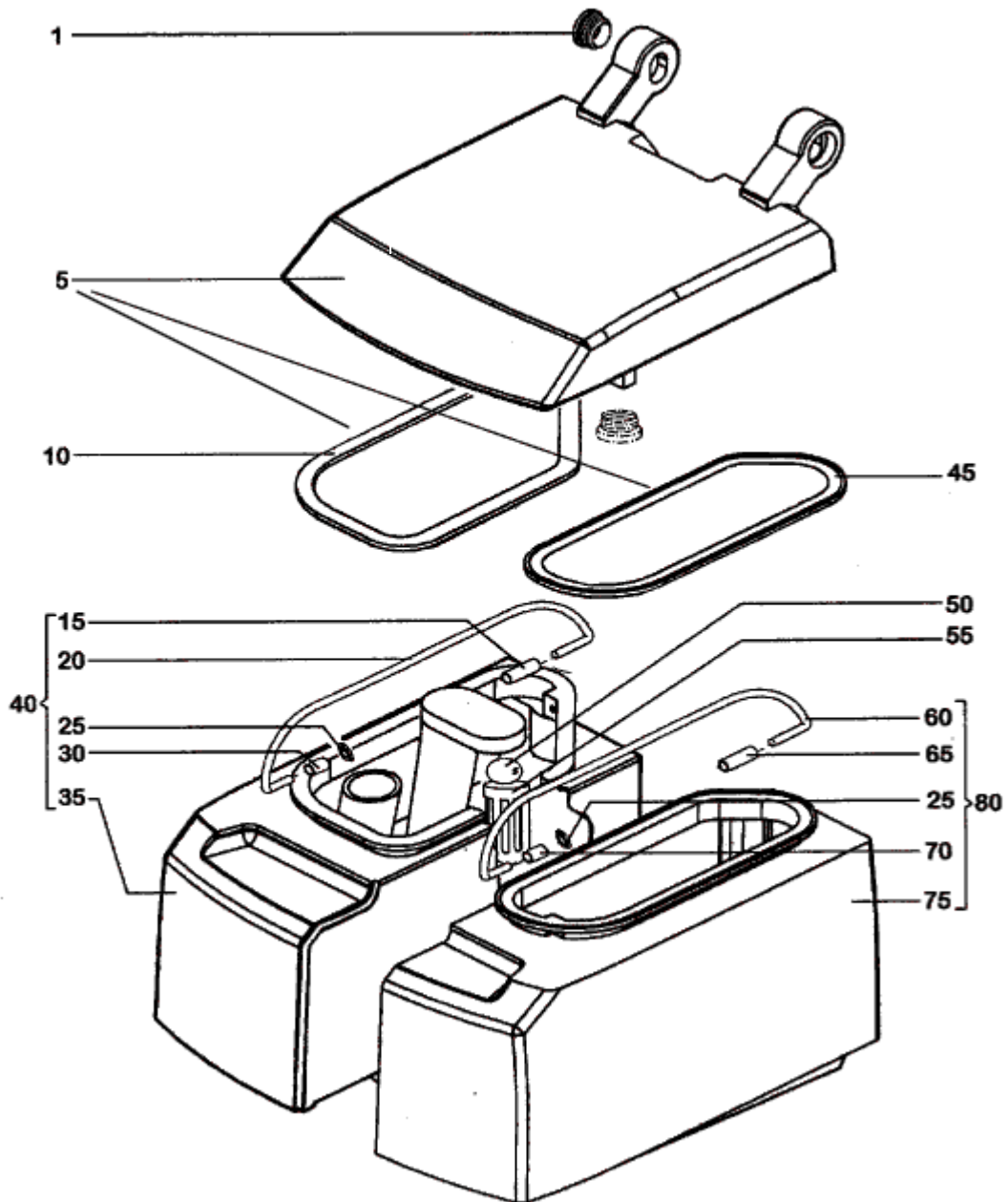
# Two-tank version

BA 340

27-03-2015

Part List ID E1916

7



# Two-tank version

BA 340

27-03-2015

Part List ID E1916

8

Pos	Part no.	Qty	Description
0	9097735000	1	DECAL NILFISK BA 340
0	L08603365	1	TANKS TWO WATER KIT
1	1466138000	1	CAP BLACK PPL DE 42X11.5 PKD
5	L08603084	1	COVER TANK W/GASKET
10	L08603230	1	GASKET BULB RUBBER L.860MM
15	L08603239	1	SPACER 7X10X32
20	9099506000	1	GRIP RECOVERY TANK KIT
25	L08603255	4	COVER PIN
30	L08603240	1	SPACER 7X10X14
35	L08603119	1	TANK RECOVERY 11 LT
40	L08603235	1	TANK RECOVERY KIT
45	L08603229	1	GASKET BULB RUBBER L.780MM
50	L08092600	1	BALL FLOATING
55	L08603088	1	CAGE FLOAT
60	9099505000	1	GRIP SOLUTION TANK KIT
65	L08603117	1	SPACER 7X10X19
70	L08603240	1	SPACER 7X10X14
75	L08603118	1	TANK SOLUTION 11 LT
80	L08603234	1	TANK SOLUTION KIT



# Solution system

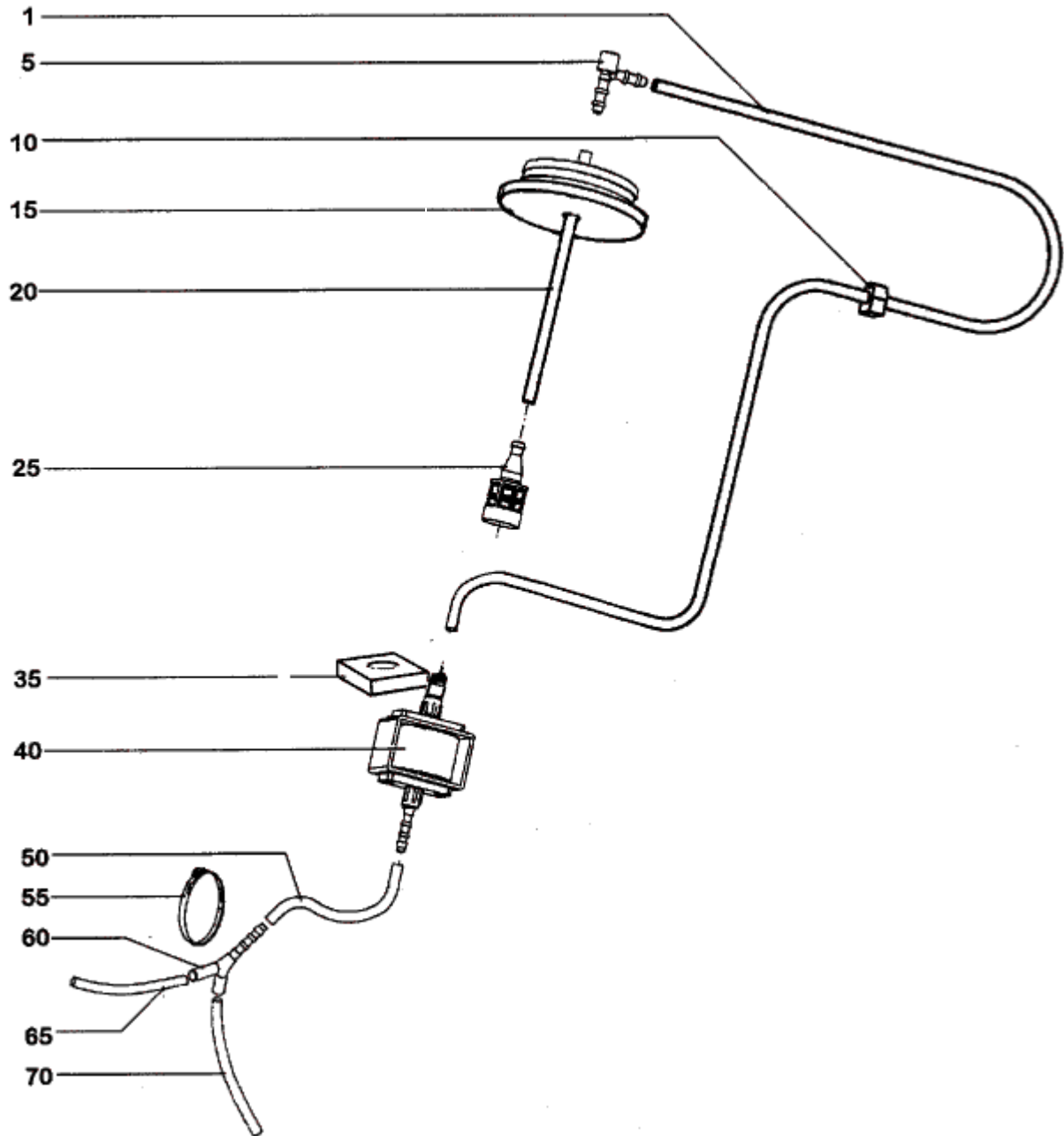
BA 340

27-03-2015

Part List ID

E1918

9



# Solution system

BA 340

27-03-2015

Part List ID

E1918

10

Pos	Part no.	Qty	Description
1	L08603754	1	HOSE CRYSTAL CLEAR D.6X10 L.1200MM
5	L08603189	1	HOLDER RUBBER 90. D.6
10	L08603129	2	GROMMET D.13 BLACK
15	9100000733	1	CAP PLASTIC D.42 WHITE WITH HOLE PKD
20	L08603225	1	HOSE D.6 L.270
25	L08603126	1	FILTER SOLUTION
35	L08603271	1	INSULATION PLATE T 15MM
40	L08812066	1	PUMP 24V
50	L08603752	1	HOSE TRANSPARENT D6.L 250
55	L08145700	1	TIE CABLE 2.4X91 WHITE
60	L08603133	1	HOLDER RUBBER T D.6
65	L08603223	1	HOSE TRANSPARENT D.6 L.165
70	L08603224	1	HOSE TRANSPARENT D.6 L.95

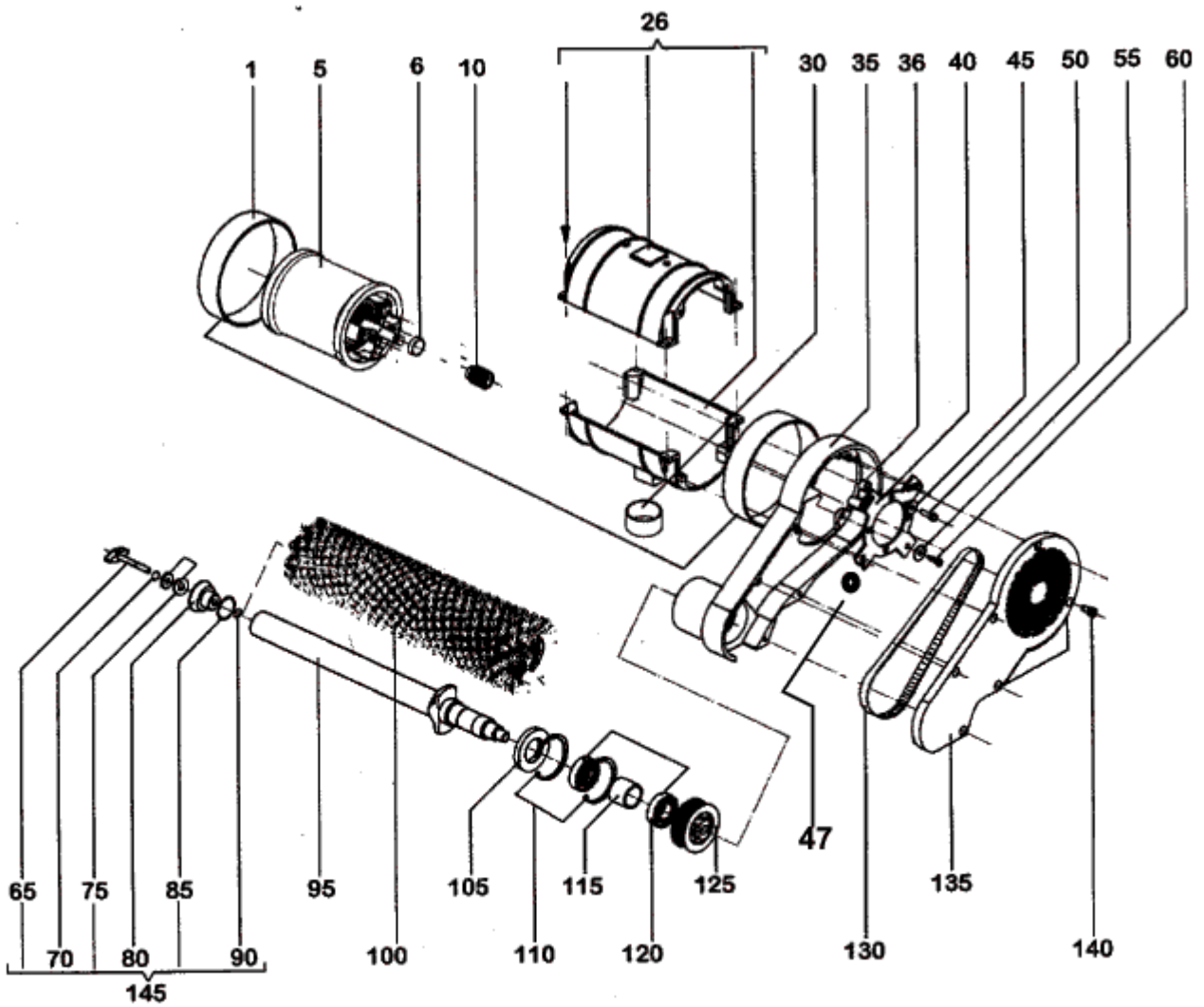
# Brush drive system

BA 340

27-03-2015

Part List ID  
E19110

11



# Brush drive system

BA 340

27-03-2015

Part List ID  
E19110

12

Pos	Part no.	Qty	Description
0	9099521000	1	WEAR PACK KIT
0	9099522000	1	WEAR PACK SICA BRUSH KIT
0	L08425200	1	BRUSH CYL.NYLON 100X330 BLUE PACKED
0	L08425300	1	BRUSH AGLITE GRIT 500 PACKED
0	L08603042	1	BLADE FRONT EXT.34 MM H
0	L08603044	1	BLADE FRONT INTERNAL 32MM WHITE
0	L08603096	1	PRE FILTER VACUUM MOTOR D 80 T 20
0	L08603110	1	FILTER VACUUM MOTOR
1	L08603022	2	RING RUBBER
5	L08603747	1	MOTOR ELECTRIC 260W 24V
6	L08603258	1	SPACER 11X16 UNI6592
10	L08603750	1	PULLEY TOOTHED W/WASHER CPL
26	L08603253	1	SHELL SCREWED FOR EL.MOT.
30	L08603023	1	RING RUBBER
35	L08603010	1	HOUSING MOTOR
36	L08603018	4	SPACER 7.5X12X8
40	L08603016	1	FLANGE BRUSH MOTOR
45	L08603017	4	SPACER
47	L08241500	4	WASHER M5 UNI6592 SS
50	L08812104	4	SCREW M5X18 CAP HD HEX SOCK ISO4762
55	33005915	4	WASHER M8 UNI6592
60	33004346	4	SCREW M6X20 CAP HD HEX SOCK ISO4762
65	L08603241	1	SCREW WING KIT
70	L08228600	1	WASHER PLAIN 6X18 ISO7093
75	L08812686	2	SPACER 7X18X3 BLACK
80	L08603004	1	BUSH BRUSH FIXING
85	L08095000	1	O-RING 3.53X26.58 -4106- NBR 70SH
90	L08601534	1	RING RADIAL D 5 UNI7434
95	L08603003	1	SHAFT
100	L08425200	1	BRUSH CYL.NYLON 100X330 BLUE PACKED
105	L08603005	1	OIL SEAL TYPE N004/14
110	33006181	2	RING D 52 UNI7437
115	L08603008	1	SPACER 25.2X30X24.5
120	L08041900	2	BEARING BALL 6205 DDU
125	L08603009	1	PULLEY BRUSH SHAFT
130	L08603177	1	BELT DRIVE
135	L08603001	1	COVER BRUSH MOTOR
140	145 1964 000	6	SCREW M6X12 CAP HD HEX SOCK SS ISO4762
145	9099514000	1	HARDWARE BRUSH FIXING KIT

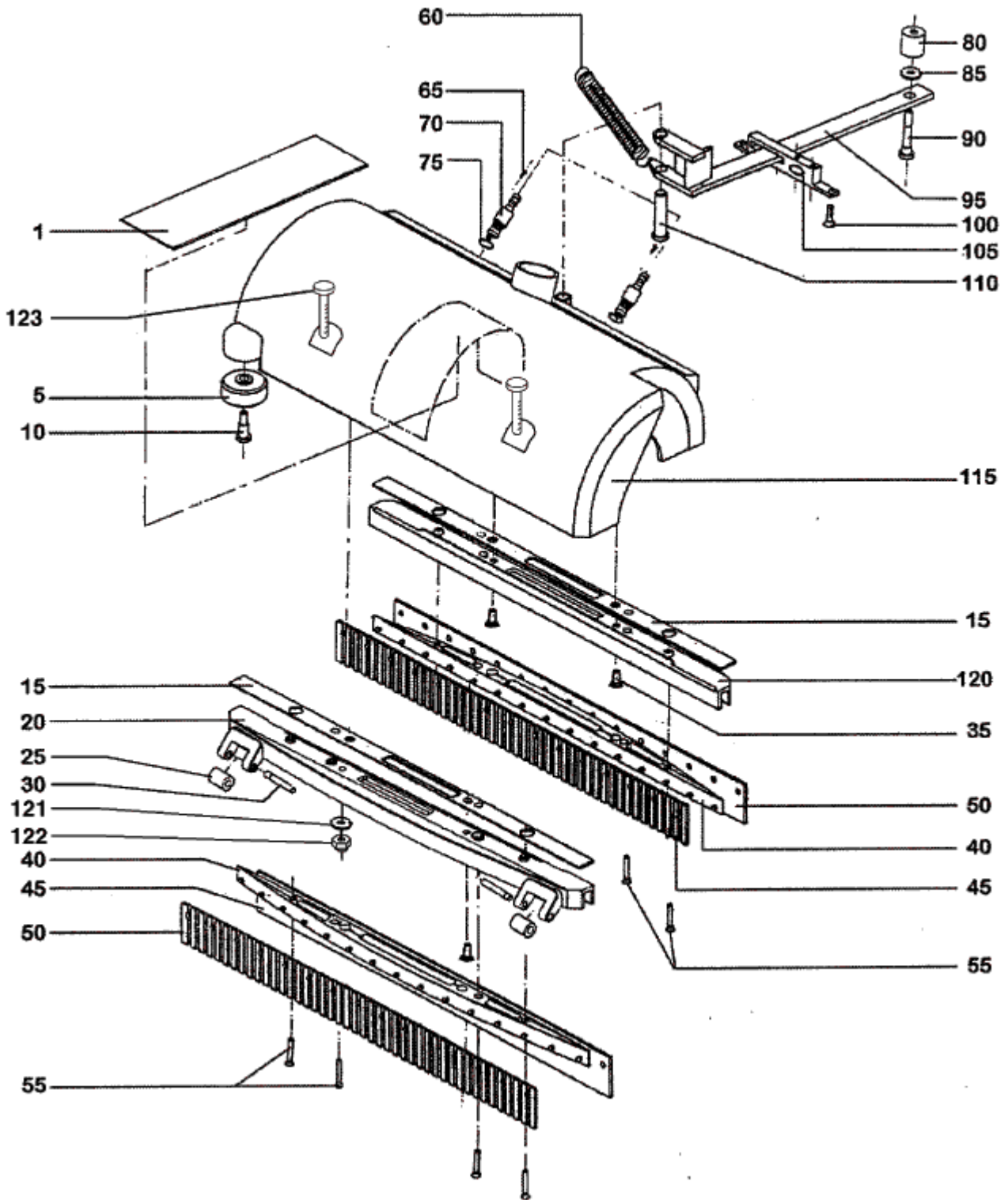
# Squeegee assembly

BA 340

27-03-2015

Part List ID  
E19112

13



# Squeegee assembly

BA 340

27-03-2015

Part List ID

E19112

14

Pos	Part no.	Qty	Description	
0	9097353000	1	BLADES PU KIT 440MM/17	includes pos.45-50
0	9099515000	1	COVER BRUSH COMPLETE KIT	includes pos.1-5-10-15-20-25-30-35-40-45-50-55-65-
0	9099516000	1	COVER BRUSH KIT	includes pos.65-70-75-115-121-122-123
0	9099517000	1	BLADE FRONT KIT	includes pos.15-20-25-30-40-45-50-55-123
0	9099518000	1	BLADE REAR KIT	includes pos.15-35-40-45-50-55-120
1	L08603026	1	PANEL FOR BRUSH COVER	
5	L08603027	2	ROLLER BUMPER	
10	L08220100	2	SCREW SHOULDER 8X16 M6 DIN923	
15	L08603039	2	SEAL BLADE HOLDER	
20	L08603397	1	HOLDER FRONT BLADE	
25	L08603402	2	ROLLER	
30	L08812122	2	PIN 6.3X40 UNI6873	
35	L08603744	2	SCREW M5X16 PAN HD PHIL SS ISO7045	
40	L08603040	2	RETAINING STRIP	
45	L08603044	2	BLADE FRONT INTERNAL 32MM WHITE	
50	L08603042	2	BLADE FRONT EXT.34 MM H	
55	L08603203	8	SCREW M5X25 C/SUNK RISED PHIL SS ISO7047	
60	L08603037	1	SPRING	
65	L08603359	2	SCREW 3.5X9.5 PAN PHIL W/O BIT F PLASTIC	
70	L08603357	2	HOLDER RUBBER	
75	L08603358	2	O-RING 1.78X6.65 -106- NBR 70SH	
80	L08603030	1	SPACER 6.5X20X19.3	
85	L08603736	1	SPACER 6.5X18X3.5	
90	L08603035	1	SCREW M6X41 CAP HD HEX SOCK SPECIAL	
95	L08603031	1	LEVER BRUSH CONTROLLING	
100	L08603378	2	SCREW 4X20 PAN PHIL W/O BIT 10.9 F PLAST	
105	L08812009	1	GUIDE	
110	L08603036	1	PIN FOR BRUSH CONTROL LEVER	
115	L08603728	1	COVER CYL.BRUSH RAL7016	
120	L08603038	1	HOLDER REAR BLADE	
121	L08200800	2	WASHER M4 UNI6592 SS	
122	L08603685	2	NUT SELF L. M4 UNI7474 SS	
123	L08603733	2	SCREW M4X40 PAN HD PHIL SS ISO7045	

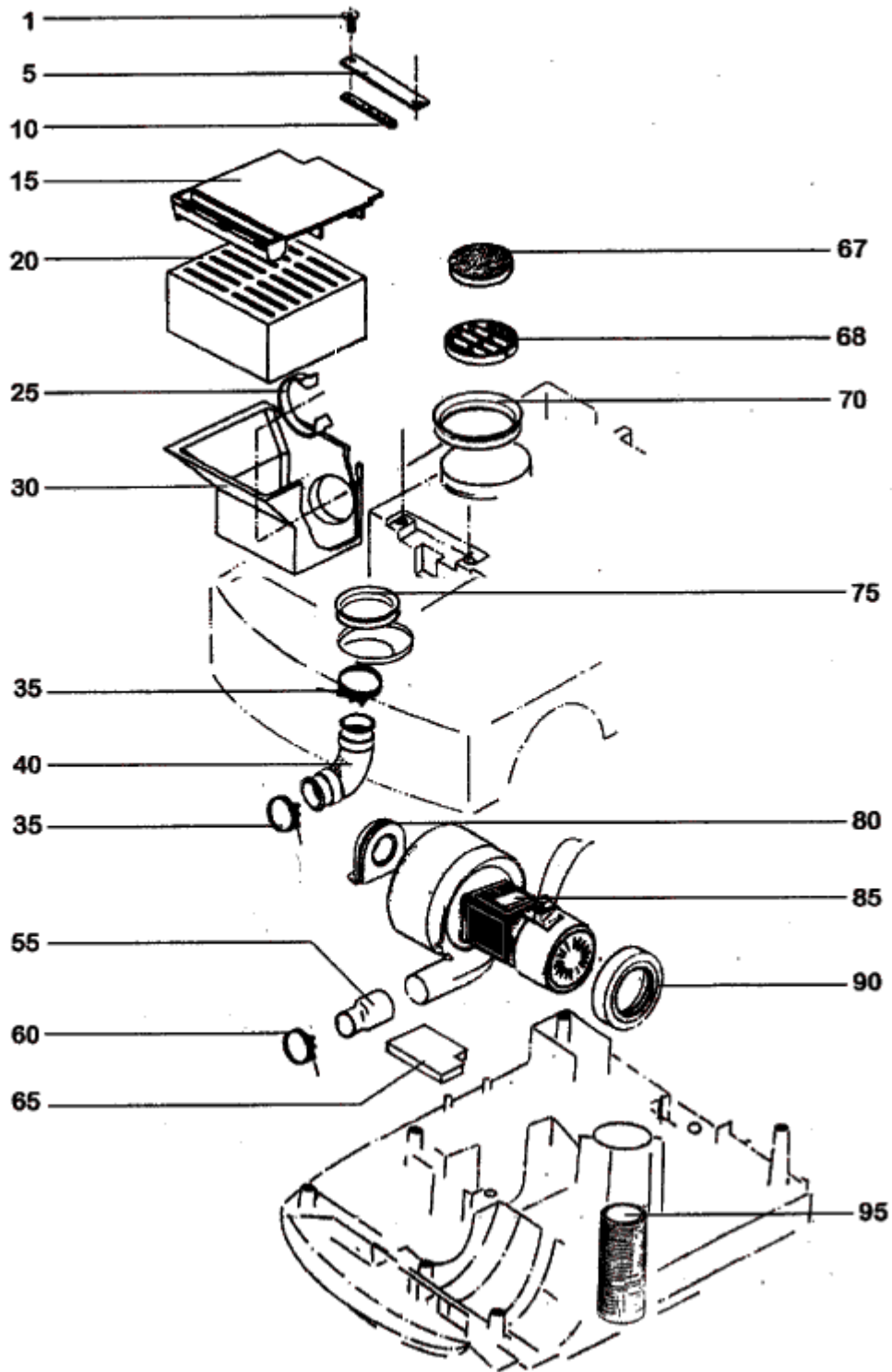
# Vacuum system

BA 340

27-03-2015

Part List ID  
E19114

15



# Vacuum system

BA 340

27-03-2015

Part List ID E19114

16

Pos	Part no.	Qty	Description
1	L08601157	2	SCREW 4.9X20 C/SUNK PHIL W/O BIT F PLAST
5	L08603187	1	PLATE GASKET
10	L08603188	1	GASKET PANEL
15	L08603108	1	COVER
20	L08603104	1	TOP SOUND INSULATION
25	L08603174	1	CLAP FOR INSULATION
30	L08603103	1	BOTTOM SOUND INSULATION
35	L08600269	2	CLAMP 9/25-40
40	L08603092	1	HOSE SUCTION
55	L08603101	1	SLEEVE VACUUM MOTOR
60	L08601663	1	CLAMP 12/32 - 50
65	L08603102	1	PANEL DAMPER
67	L08603096	1	PRE FILTER VACUUM MOTOR D 80 T 20
68	L08603097	1	GRATE FILTER PROTECTION
70	L08603095	1	SEAL SUCTION HOSE
75	L08603094	1	SEAL
80	L08603098	3	VIBRATION-DAMPING
85	909 5041 000	1	MOTOR VACUUM 24V
90	L08812016	1	SEAL
95	L08603110	1	FILTER VACUUM MOTOR



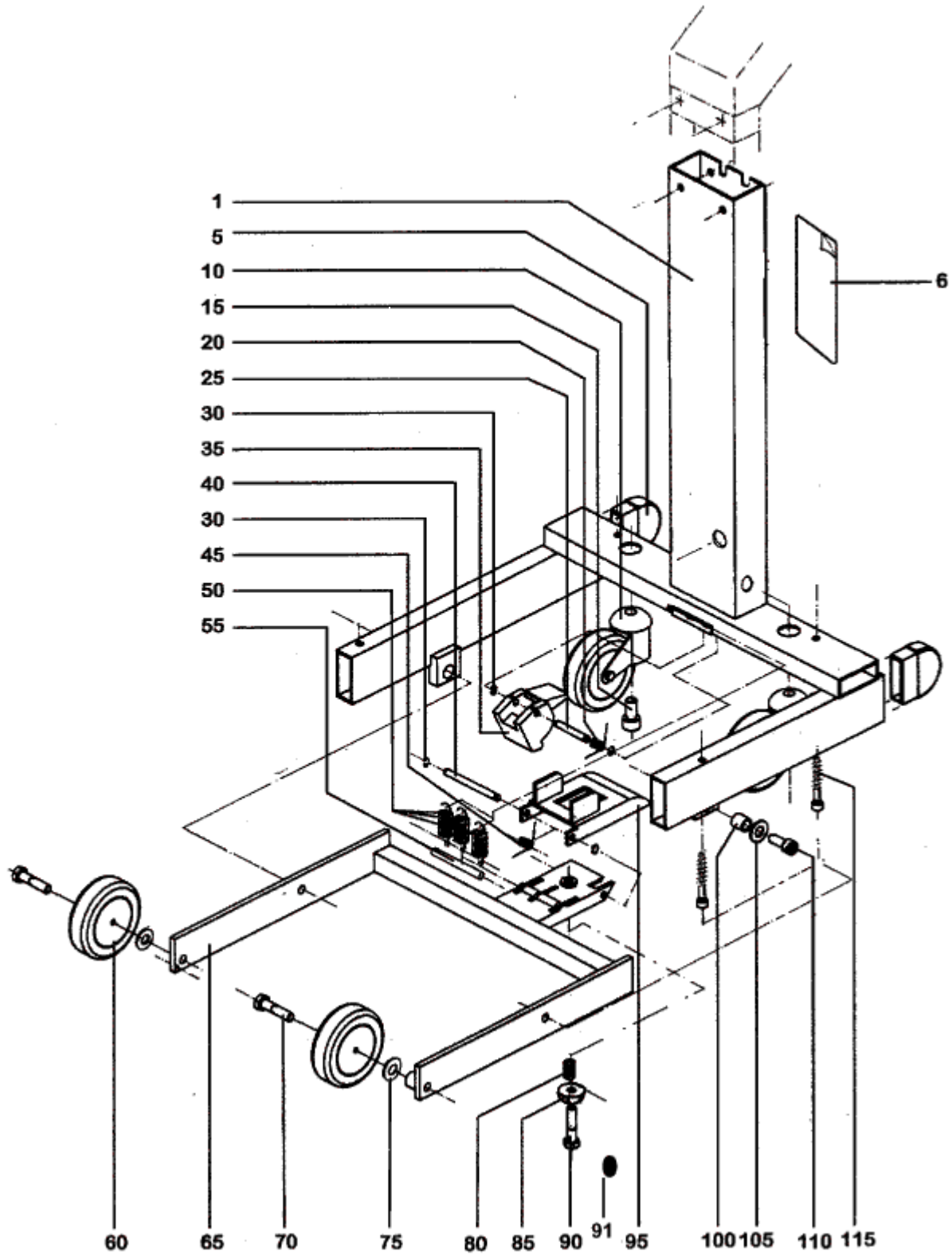
# Frame system

BA 340

27-03-2015

Part List ID  
E19116

17



# Frame system

BA 340

27-03-2015

Part List ID  
E19116

18

Pos	Part no.	Qty	Description
0	9099520000	1	PEDAL BRUSH LIFTING KIT
1	L08812042	1	GESTELL RAL 9005
5	L08603068	2	PLUG
6	L08603465	1	DECAL INSTRUCTIONS
10	L08603076	2	WHEEL CASTOR
15	145 5742 000	2	SCREW M10X20 CAP HD HEX SOCK ISO4762
20	L08603071	1	SPRING
25	L08603069	1	PIN
30	L08603183	2	RING RADIAL D 4 UNI7434
35	L08603354	1	BLOCK BRUSH PEDAL
40	L08603356	1	PIN BRUSH PEDAL
45	L08603075	1	SPRING BRUSH PEDAL
50	L08603061	3	SPRING BRUSH LIFT.FRAME
55	L08603062	1	PIN BRUSH LIFT.FRAME
60	9100000701	2	WHEEL D.75X28 GREY KIT
65	L08603057	1	FRAME BRUSH LIFTING
80	L08603064	1	SPRING BRUSH PEDAL
85	L08603065	1	KNOB
90	L08603063	1	SCREW M8X35 HEX HD F/THD SS ISO4017
91	L08603746	1	CAP SCREW M8 SS
95	L08603355	1	PEDAL BRUSH CONTROL
100	L08603055	2	BUSH
105	L08603207	2	WASHER M8 UNI6592 SS
110	L08812803	2	SCREW M8X20 CAP HD HEX SS ISO4762 SCOTCH
115	L08603377	4	SCREW 6X25 PAN PHIL W/O BIT F PLASTIC

Included Pos. 70-75

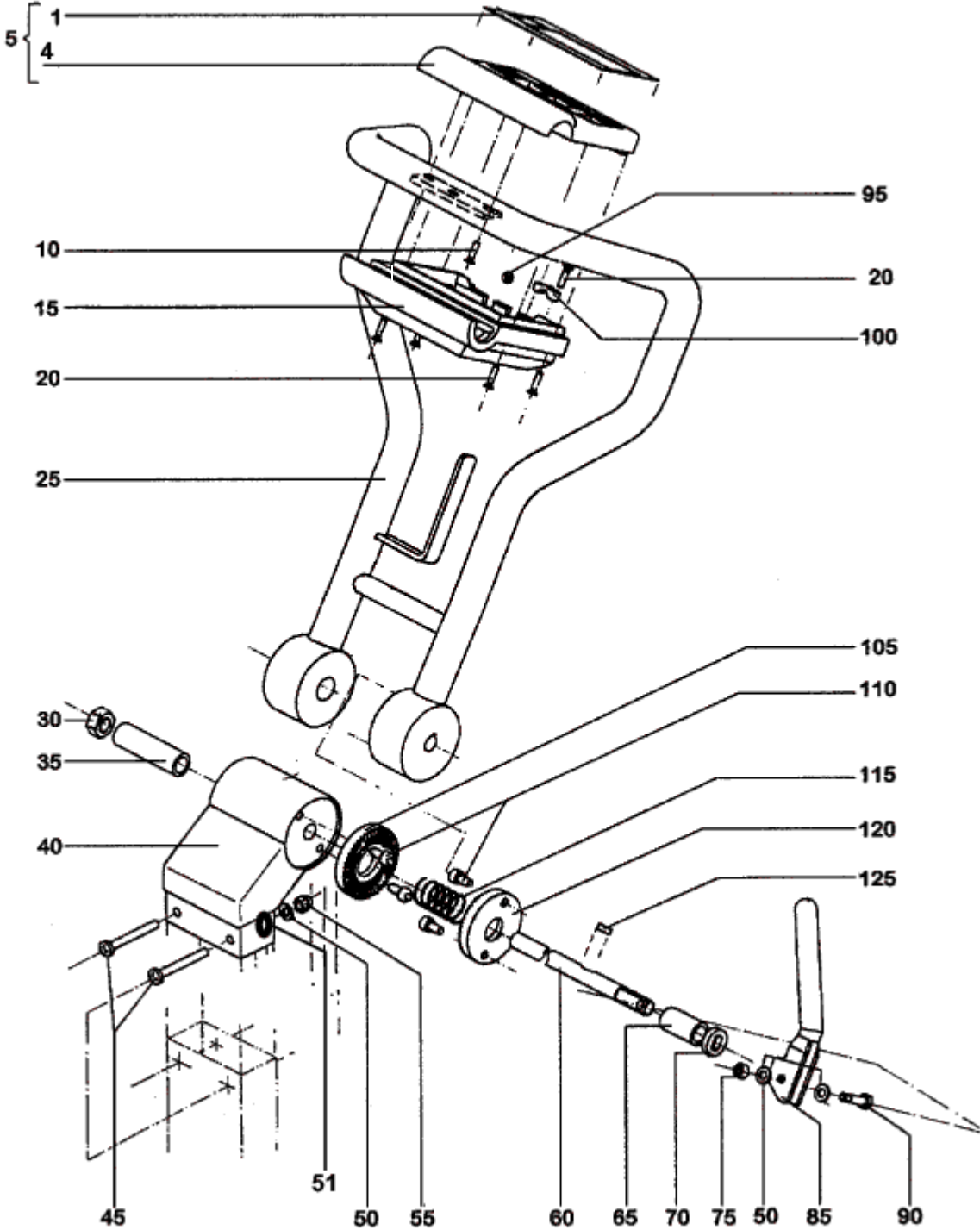
# Handle bar

BA 340

27-03-2015

Part List ID E19118

19



# Handle bar

BA 340

27-03-2015

Part List ID  
E19118

20

Pos	Part no.	Qty	Description
1	L08603436	1	DECAL CONTROL PANEL
4	909 5846 000	1	HOUSING SWITCH FRONT
5	L08603438	1	HOUSING SWITCHES KIT W/DECAL
10	L08603244	2	SCREW 3.9X13 SELF PAN HD PHIL ISO7049
15	909 5847 000	1	HOUSING SWITCH REAR
20	L08603192	6	SCREW 3.6X16 PAN PHIL W/O BIT F PLASTIC
25	L08812015	1	HANDLE BAR
30	L08601000	1	NUT SELF L. M12 UNI7473
35	L08603142	1	SPACER 13X18X62
40	L08603136	1	SUPPORT HANDLE BAR
45	L08603190	2	SCREW M6X50 PAN HD PHIL ISO7045 SCOTCH-
50	33005915	2	WASHER M8 UNI6592
51	33005851	2	WASHER M6 UNI1751B
55	L08050200	2	NUT HEX M6 UNI5721
60	L08603140	1	SHAFT HANDLE ADJUST.LEVER
65	L08603191	1	SPACER 13X18X32
70	L08603143	1	SPACER HANDLE ADJ.LEVER
75	33005604	1	NUT SELF L. M6 UNI7474
85	L08603146	1	LEVER HANDLE ADJUSTING
90	L08603175	1	SCREW M6X25 HEX HD P/THD 4.8 ISO4014
95	L08812080	1	CAP D.18
100	L08600168	1	BLOCK CABLE FIXING
105	L08603137	1	RATCHET DISC HANDLE ADJ. SUPPORT
110	L08600149	4	SCREW M6X12 CAP HD HEX ISO4762 SCOTCH-GR
115	L08603144	1	SPRING
120	L08603138	1	RATCHET DISC HANDLE BAR
125	L08603141	1	KEY 4X4X12 UNI6604A

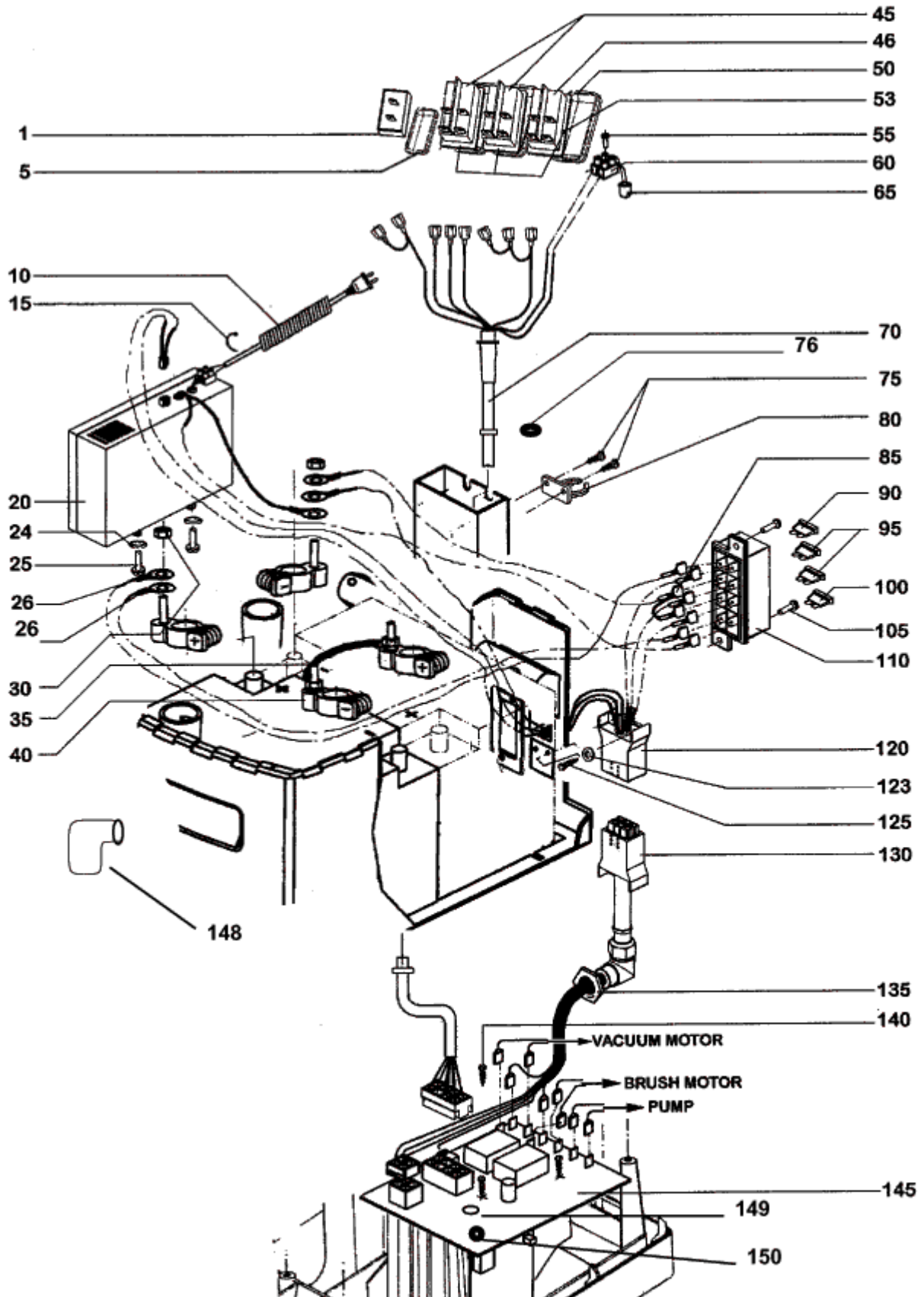
# Wiring system 1

BA 340

27-03-2015

Part List ID  
E19120

21



# Wiring system 1

BA 340

27-03-2015

Part List ID  
E19120

22

Pos	Part no.	Qty	Description
0	909 5667 000	1	SWITCH COMPLETE
1	L08603153	1	SWITCH PUMP
5	L08603154	1	HJGH
10	L08812071	1	CABLE POWER SUPPLY B.CHAR
15	L08145700	1	TIE CABLE 2.4X91 WHITE
20	L08812075	1	CHARGER BATT. ON BOARD 24V 5A 220V
24	L08228600	6	WASHER PLAIN 6X18 ISO7093
25	L08603706	2	SCREW M6X12 PAN HD PHIL ISO7045
26	L08812056	2	STRAND WIRE
30	L08812063	2	CLAMP BATTERY PLUS
35	L08812060	1	CABLE.BATTERY BRIDGE
40	L08812064	2	CLAMP BATTERY MINUS
45	909 5667 000	2	SWITCH COMPLETE
46	909 5668 000	1	SWITCH COMPLETE
53	L08603193	3	COVER SWITCH
55	L08603192	1	SCREW 3.6X16 PAN PHIL W/O BIT F PLASTIC
60	L08812062	2	BOARD TERMINAL 2 ELEMENT
65	L08812061	1	LED RED D.5 1.6-2V 10-20mA
70	L08812058	1	INTERNAL CABLE
75	L08346400	2	SCREW M4X12 PAN HD PHIL ISO7045
76	L08603129	1	GROMMET D.13 BLACK
80	L08812082	1	GUIDE CABLE
85	L08812059	1	STRAND WIRE SET
90	145 0227 000	1	FUSE BLADE 40A
95	145 8513 000	2	FUSE BLADE 30A UL
100	145 9788 000	1	FUSE BLADE 7.5A
105	L08603192	2	SCREW 3.6X16 PAN PHIL W/O BIT F PLASTIC
110	L08812065	1	BOX FUSES 4 POSITIONS
120	L08812054	1	WIRE AND PLUG CPL.
123	L08812097	2	WASHER 3X9 UNI6592 SS
125	L08600267	2	SCREW 3.2X25 PAN PHIL W/O BIT F PLASTIC
130	L08812055	1	STRAND WIRE
135	L08231800	1	NUT RING M20
140	L08093800	3	SCREW 2.9X16 SELF PAN HD PHIL ISO7049
145	L08812076	1	CARD ELECTRONIC
146	L08812097	3	WASHER 3X9 UNI6592 SS
147	L08812098	3	SPACER 3X9X4
148	L08812093	1	BOOT.BATTERY CLAMPS BLACK
149	L08812097	3	WASHER 3X9 UNI6592 SS
150	L08812098	3	SPACER 3X9X4

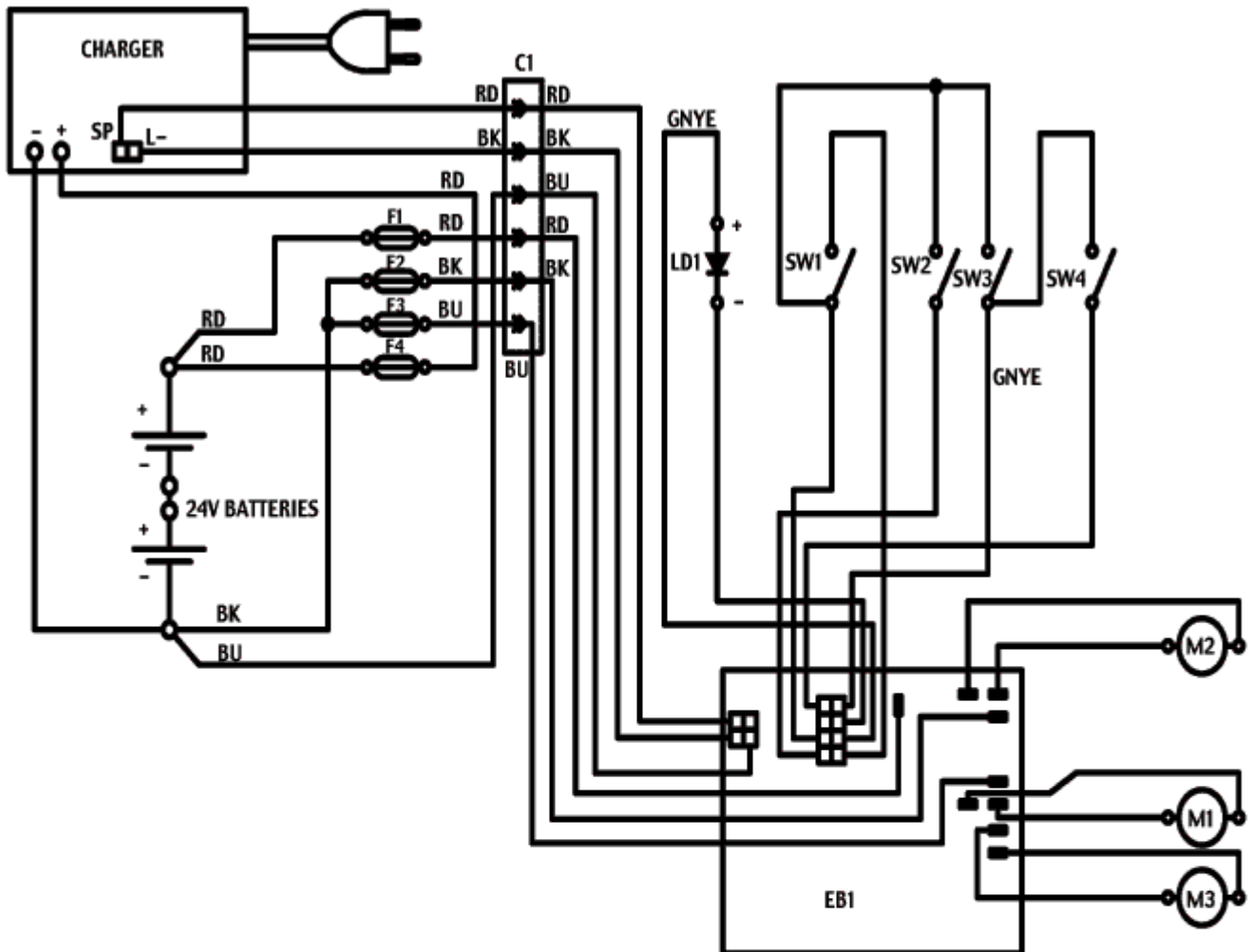
# Wiring system 2

BA 340

27-03-2015

Part List ID  
E19122

23



LEGENDA	
C1	6 POLES CONNECTOR
EB1	ELECTRONIC BOARD
F1	MAIN FUSE (40A)
F2	VACUUM MOTOR FUSE (30A)
F3	BRUSH MOTOR FUSE (30A)
F4	CHARGER FUSE (7,5A)
LD1	BATTERY STATUS LED
M1	BRUSH MOTOR
M2	VACUUM MOTOR
M3	WATER PUMP
SW1	MAIN SWITCH
SW2	VACUUM MOTOR SWITCH
SW3	PUMP SWITCH
SW4	SOLUTION DOSING SWITCH

COLORS CODE	
BK	BLACK nero
BU	BLUE azzurro
BN	BROWN marrone
GN	GREEN verde
GY	GREY grigio
OG	ORANGE arancio
PK	PINK rosa
RD	RED rosso
VT	VIOLET viola
WH	WHITE bianco
YE	YELLOW giallo

# Wiring system 2

BA 340

27-03-2015

Part List ID  
E19122

24