

B9

Models:
B9 STAINLESS
B9 STANDARD



Part List

US-English

04-03-2008

Nilfisk
ALTO
Why Compromise

Table of Contents

B9

| | |
|--|----------|
| Summary | 3 |
| Default accessories | 6 |
| Sole plate and transport handle from 2007 | 8 |

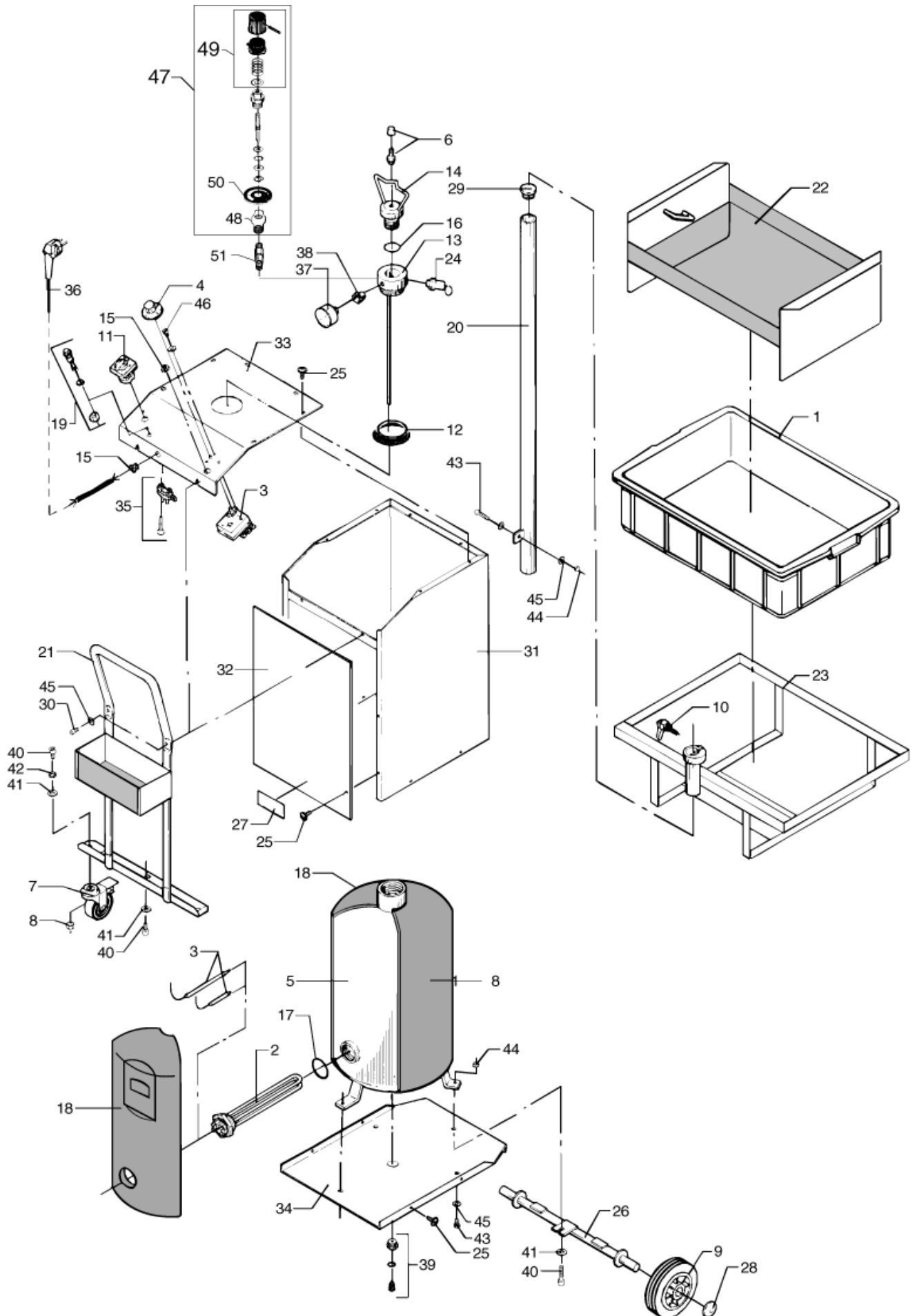
Summary

04-03-2008

Part List ID B902

B9

3



Summary

B9

04-03-2008

Part List ID

B902

4

| Pos | Part no. | Qty | Description | EAN |
|-----|----------|-----|---|------------|
| 1 | 7101401 | 1 | WASH TRAY | 5701715108 |
| 2 | 7101402 | 1 | HEATING ELEMENT, B9 | 5701715108 |
| 3 | 7101403 | 1 | THERMOSTAT, COMPL., B9 | 5701715108 |
| 4 | 7101404 | 1 | ADJUSTING KNOB, B9 | 5701715108 |
| 5 | 7101405 | 1 | PRESSURE TANK B9 | 5701715108 |
| 5 | 7101455 | 1 | PRESSURE TANK , SS | 5701715108 |
| 6 | 7101406 | 1 | COMPRESSED-AIR-VALVE B9 | 5701715108 |
| 7 | 7101407 | 2 | CASTOR WHEEL W. BRAKE | 5701715108 |
| 8 | 1800465 | 2 | NUT M10 | 5701715026 |
| 9 | 7101409 | 2 | WHEEL, COMPL. B9 | 5701715108 |
| 10 | 7101410 | 1 | ADJUSTING HANDLE | 5701715108 |
| 11 | 7101411 | 1 | START/STOP SWITCH B9 | 5701715108 |
| 12 | 7101412 | 1 | RUBBER SEALING RING | 5701715108 |
| 13 | 7101413 | 1 | FILLER NECK | 5701715108 |
| 14 | 7101414 | 1 | PLUG FOR FILTER NECK | 5701715108 |
| 15 | 7101415 | 1 | RUBBER CAP (RESET) | 5701715108 |
| 16 | 7101416 | 1 | O-RING | 5701715108 |
| 17 | 7101417 | 1 | O-RING | 5701715108 |
| 18 | 7101418 | 1 | INSULATION COMPL. | 5701715108 |
| 19 | 7101419 | 1 | INDICATOR LAMP, COMPL. | 5701715108 |
| 20 | 7101420 | 1 | TUBE | 5701715108 |
| 21 | 7101421 | 1 | TRANSPORT HANDLE W. BASKE Up to 2007 | 5701715108 |
| 22 | 7101422 | 1 | WASH BASKET | 5701715108 |
| 23 | 7101423 | 1 | SUPPORT FOR WASH TRAY | 5701715108 |
| 24 | 7101424 | 1 | SAFETY VALVE B5 AND B9 | 5701715108 |
| 25 | 7101425 | 14 | SCREW 3,5X12 | 5701715108 |
| 26 | 7101426 | 1 | SHAFT | 5701715108 |
| 28 | 7101428 | 2 | HUB CAP | 5701715108 |
| 29 | 7101429 | 1 | PLUG, BIG | 5701715108 |
| 30 | 1813864 | 2 | SCREW M8X35 | 5701715031 |
| 31 | 7101431 | 1 | CABINET, B9 | 5701715108 |
| 32 | 7101432 | 1 | FRONT PLATE | 5701715108 |
| 33 | 7101433 | 1 | CONTROL PANEL | 5701715108 |
| 34 | 7101434 | 1 | SOLE PLATE | 5701715108 |
| 35 | 7101435 | 1 | CABLE LEAD-IN | 5701715108 |
| 36 | 6122211 | 1 | EL. CABLE WITH PLUG D,A,F,N,S,B,NL,P,E,GR,IL,SF,CSSR,DK | 5701715068 |
| 36 | 6526037 | 1 | CABLE WITH PLUG | 5701715124 |
| 37 | 7101437 | 1 | PRESSURE GAUGE | 5701715108 |
| 38 | 7101438 | 1 | THREADED CONNECTION PRES. | 5701715108 |
| 39 | 7101439 | 1 | DRAIN PLUG, COMPL. | 5701715108 |
| 40 | 1803360 | 4 | SCREW | 5701715028 |
| 41 | 1800317 | 4 | WASHER M10 | 5701715026 |
| 42 | 1801968 | 2 | WASHER M10 | 5701715008 |

Summary

B9

04-03-2008

Part List ID

B902

5

| Pos | Part no. | Qty | Description | EAN |
|-----|----------|-----|----------------------------|------------|
| 43 | 2753 | 3 | SCREW M8X20 | 4005337027 |
| 44 | 1803725 | 3 | HEXAGON NUT M8 | 5701715028 |
| 45 | 1800796 | 5 | WASHER M8 | 5701715027 |
| 46 | 1800391 | 2 | SCREW M4X6 GALV. DIN 7985 | 5701715026 |
| 47 | 1117633 | 1 | DOSING VALVE W. DIAL PLATE | 5701715115 |
| 48 | 1111913 | 1 | DOSING VALVE COMP. | 5701715018 |
| 49 | 6008041 | 1 | VALVE HANDLE COMP. | 5701715062 |
| 50 | 6150692 | 1 | DIAL PLATE | 5701715074 |
| 51 | 2404341 | 1 | TUBE F. NOZZLE | 5701715035 |

Default accessories

B9

04-03-2008

Part List ID B903

6

No Drawing For Part List

Default accessories

04-03-2008

B9

Part List ID B903

7

| Pos | Part no. | Qty | Description | EAN |
|-----|----------|-----|------------------------------|------------|
| 1 | 1117624 | 1 | SPRAY HANDLE, COMPL. B5 | 5701715018 |
| 1 | 1404508 | 1 | HOSE F. SPRAY HANDLE, COMPL. | 5701715023 |

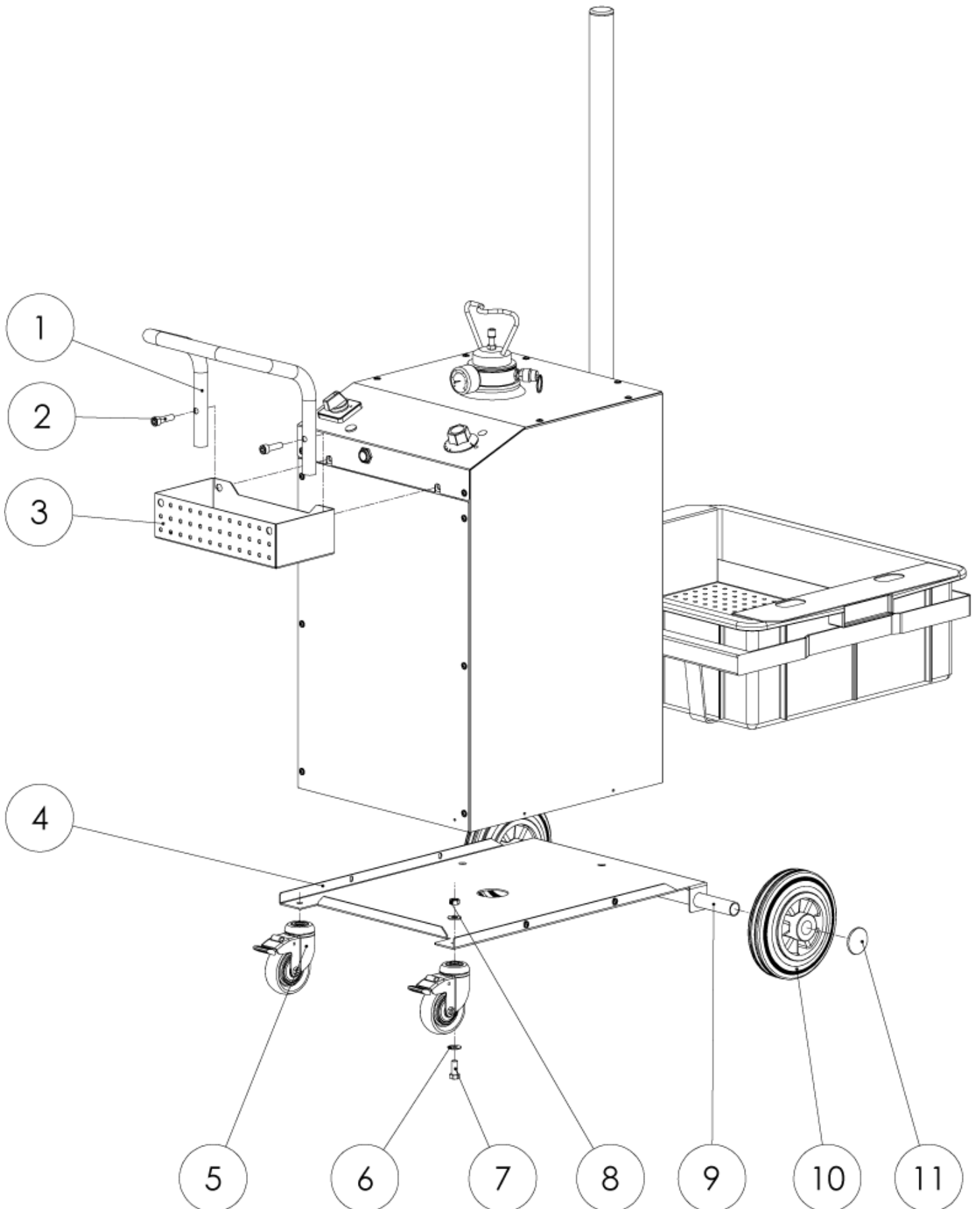
Sole plate and transport handle from 2007

04-03-2008

Part List ID B904

B9

8



Sole plate and transport handle from 2007

04-03-2008

Part List ID

B904

B9

9

| Pos | Part no. | Qty | Description | EAN |
|-----|----------|-----|-----------------------|------------|
| 1 | 7101440 | 1 | TRANSPORT HANDLE | 5701715457 |
| 2 | 1813864 | 2 | SCREW M8X35 | 5701715031 |
| 3 | 7101441 | 1 | BASKET | 5701715457 |
| 4 | 7101442 | 1 | SOLE PLATE | 5701715457 |
| 5 | 7101407 | 2 | CASTOR WHEEL W. BRAKE | 5701715108 |
| 6 | 1800317 | 2 | WASHER M10 | 5701715026 |
| 7 | 1803360 | 2 | SCREW | 5701715028 |
| 8 | 1800465 | 2 | NUT M10 | 5701715026 |
| 9 | 7101443 | 1 | SHAFT | 5701715457 |
| 10 | 7101409 | 2 | WHEEL, COMPL. B9 | 5701715108 |
| 11 | 7101428 | 2 | HUB CAP | 5701715108 |