

# ATTIX 7

Model:

ATTIX 751-01

ATTIX 751-11

ATTIX 751-21

ATTIX 751-61

ATTIX 751-71

ATTIX 761-21 XC

ATTIX 791-21 EC



Part List English

06-03-2012

**Nilfisk**  
**ALTO**  
works for you

[www.nilfisk-alto.com](http://www.nilfisk-alto.com)

# Table of Contents

ATTIX 7

<b>Cabinet 751-01</b>	<b>3</b>
<b>Cabinet 751-11, -21, 19 GALLON</b>	<b>5</b>
<b>Cabinet 751-61, -71, 19 GALLON AE</b>	<b>7</b>
<b>Cabinet 761-21 XC</b>	<b>9</b>
<b>Cabinet 19 GALLON AS/PE</b>	<b>11</b>
<b>Cabinet 791-21</b>	<b>13</b>
<b>Base, motor, filter 751-01, -11, -21, 19 GALLON</b>	<b>15</b>
<b>Base, motor, filter 751-61, -71, 19 GALLON AE</b>	<b>17</b>
<b>Base, motor 761-21 XC, 19 GALLON AS/PE</b>	<b>19</b>
<b>Filter, cleaning system 761-21 XC, 19 GALLON AS/PE</b>	<b>21</b>
<b>Base, motor, filter 791-21</b>	<b>23</b>
<b>Buzzer, flow sensor 791-21</b>	<b>25</b>
<b>Container 751-01, -11, -21, 19 GALLON</b>	<b>27</b>
<b>Container 751-61, -71, 19 GALLON AE</b>	<b>29</b>
<b>Container 761-21, 19 GALLON AS/PE</b>	<b>31</b>
<b>Container 791-21</b>	<b>33</b>
<b>Frame 751-01, -11, -21, -61, 19 GALLON, 19 GALLON</b>	<b>35</b>
<b>Frame 751-71</b>	<b>37</b>
<b>Frame 761-21, 19 GALLON AS/PE</b>	<b>39</b>
<b>Frame 791-21</b>	<b>41</b>
<b>Accessories 550, 751</b>	<b>43</b>
<b>Accessories 560, 761, 763</b>	<b>45</b>
<b>Accessories 590, 791</b>	<b>47</b>
<b>RECOMMENDED SPARE PARTS</b>	<b>49</b>

# Cabinet 751-01

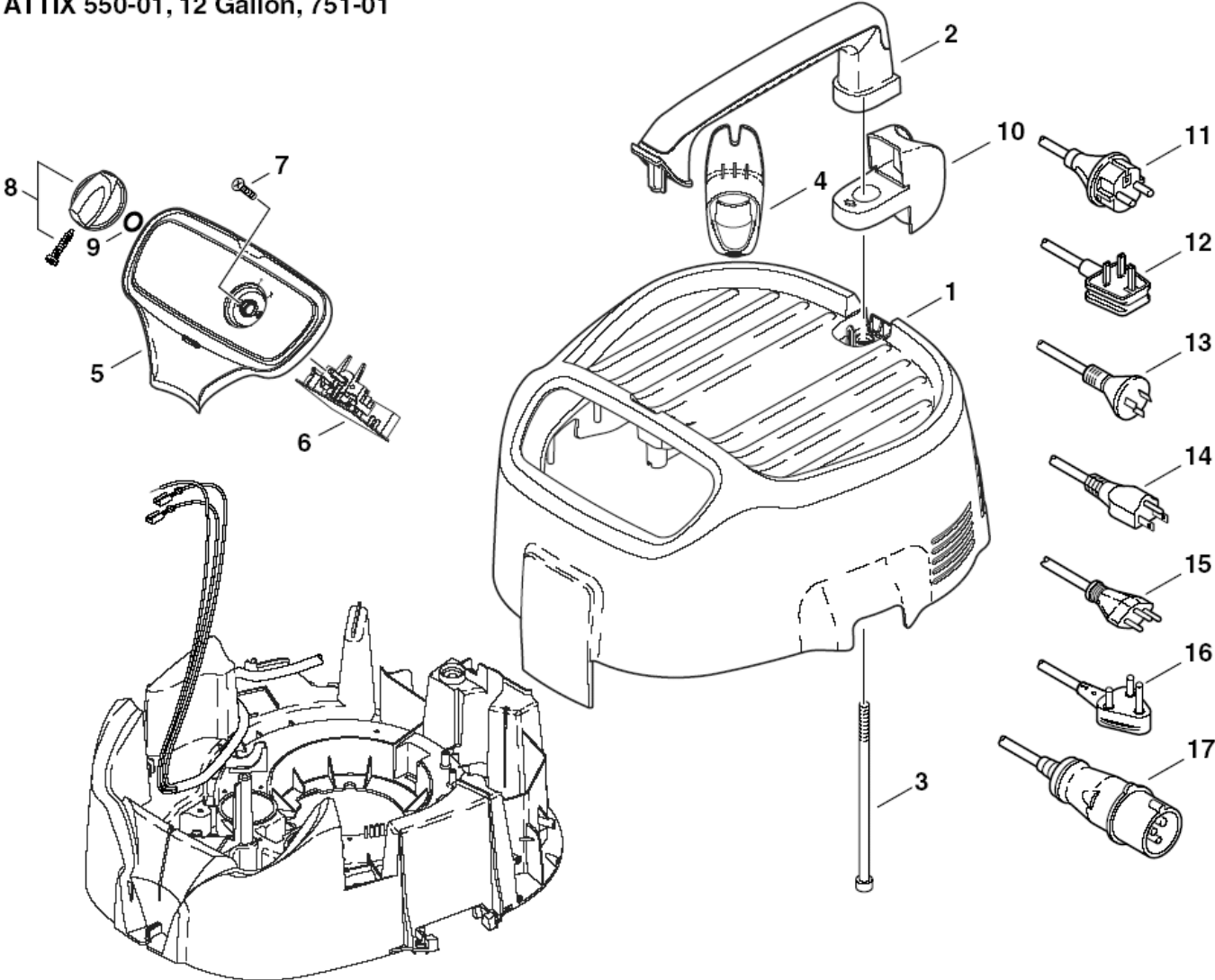
ATTIX 7

06-03-2012

Part List ID  
ATTIX75002

3

ATTIX 550-01, 12 Gallon, 751-01



# Cabinet 751-01

ATTIX 7

06-03-2012

Part List ID  
ATTIX75002

4

Pos	Part no.	Qty	Description		EAN
0	302000517	1	CARDBOARD BOX 570X487X710	not shown	4005337683
0	302002015	1	FOLDING BOX ATTIX 7 2.40 BC	not shown	4005337085
1	107402652	1	GOOD W.SOUNDPROOFING		7319519682
2	107402650	1	HANDLE KIT		7319519682
3	909100084	2	SCREW M6X140		4005337679
4	302000380	1	CABLE HOOK		4005337674
5	302000756	1	SWITCH BOX	550-1, 12 GALLON, 751-01	4005337020
6	302000825	1	ELECTRONICS	100-120V	4005337026
6	302000826	1	ELECTRONIC SOFTSTART	220-240V	4005337026
7	18274	2	COUNTERSUNK SCREW		4005337182
8	909100204	1	ROTARY KNOB		4005337689
9	9868	1	O RING		4005337098
10		1	TUBE FASTENER	550-01, 12 GALLON	4005337674
11	302000430	1	POWER CORD	*EU*	4005337680
11	302000433	1	POWER CORD H05RR-F 3G0.75X8.2 DK	*DK*	4005337680
12	302000752	1	POWER CORD	*GB,230V*	4005337021
13	302000434	1	POWER CORD H05RR-F 3G0.7	*AU*	4005337681
14	302000435	1	POWER CORD SJTW-A AWG18/3X8.2M NEMA -US	JS*	4005337681
15	302000432	1	POWER CORD H05RR-F 3G0.75X8.2M SNV -CH	*CH*	4005337680
16	302000685	1	POWER CORD H05RR-F3G0.75X8.4 S	*ZA*	4005337690
17	107400574	1	CORD H05BQ-F 3G1.0 CEE GB 110	*GB*	7319519672

# Cabinet 751-11, -21, 19 GALLON

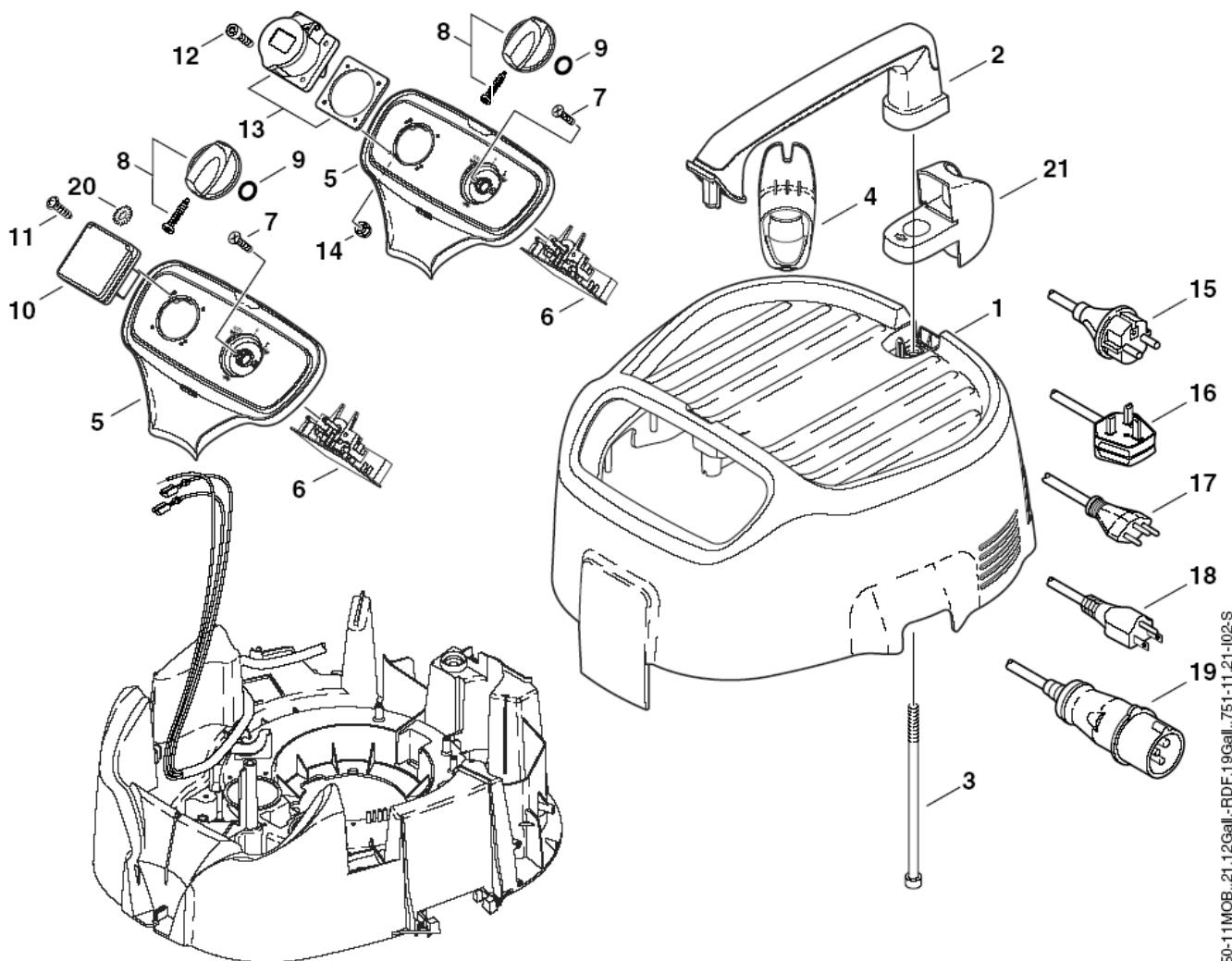
06-03-2012

Part List ID  
ATTIX75004

ATTIX 7

5

ATTIX 550-11 MOBIL, 550-21, 12 Gallon RDF, 751-11, 751-21, 19 Gallon



550-11 MOB., 21, 12 Gall., RDF, 19 Gall., 751-11, 21-102-S

# Cabinet 751-11, -21, 19 GALLON

ATTIX 7

06-03-2012

Part List ID  
ATTIX75004

6

Pos	Part no.	Qty	Description	EAN
1	107402652	1	6OOD W.SOUNDPROOFING	7319519682
2	107402650	1	HANDLE KIT	7319519682
3	909100084	2	SCREW M6X140	4005337679
4	302000380	1	CABLE HOOK	4005337674
5	302000757	1	SWITCH BOX	550-21, 751-21, 12GALL.RDF 4005337020
5	302001287	1	ATTIX 5 SWITCH CASE	550-11 MOBIL,751-11, 19GALL. 4005337043
6	302000627	1	110V ELECTRONIC WITH SPEE D	100-120V, 12GALL.RDF 4005337687
6	302000628	1	ELECTRONIC W SPEED	220-240V, 550-21, 751-21 4005337687
6	302000825	1	ELECTRONICS	100-120V, 751-11*GB,110/50*, 19GALL. 4005337026
6	302000826	1	ELECTRONIC SOFTSTART	220-240V 4005337026
7	18274	2	COUNTERSUNK SCREW	4005337182
8	909100204	1	ROTARY KNOB	4005337689
9	9868	1	O RING	4005337098
10	302000683	1	SOCKET 10A/250V DK	*DK* 4005337690
10	302004034	1	SOCKET 16A/250V EU	*EU* 4005337147
10	302004336	1	SOCKET 13A/250V	*GB,230V* 7319519675
10	302004337	1	SOCKET 10A/250V CH	*CH* 7319519675
10	302004338	1	SOCKET 15A/125V US/CSA	*US* 7319519675
11	11256	2	STEEL SCREW 35 X 18	4005337112
12	50598	4	SCREW M5X20	*GB,110V* 4005337505
13	107402842	1	OUTLET 2P AND PE 16A 110V	*GB,110V* 7319519683
14	7417	4	HEXAGON NUT	*GB,110V* 4005337074
15	107402641	1	POWER CORD H05RR-F 3G1.5X8X2	*EU* 7319519682
15	302000440	1	POWER CORD H05RR-F 3G1.0X8.4M	*DK* 4005337681
16	302000752	1	POWER CORD	*GB,230V* 4005337021
17	107400267	1	CORD H05RR-F 3G1.0 CH	*CH* 4005337153
18	302004332	1	POWER CORD US	*US* 7319519675
19	107400271	1	CORD H07BQ-F 3G2.5 GB	*GB,110V* 4005337153
20	4021	2	SERRATED LOCK WASHER	*US* 4005337040
21		1	TUBE FASTENER	550-11 MOBIL 4005337674

# Cabinet 751-61, -71, 19 GALLON AE

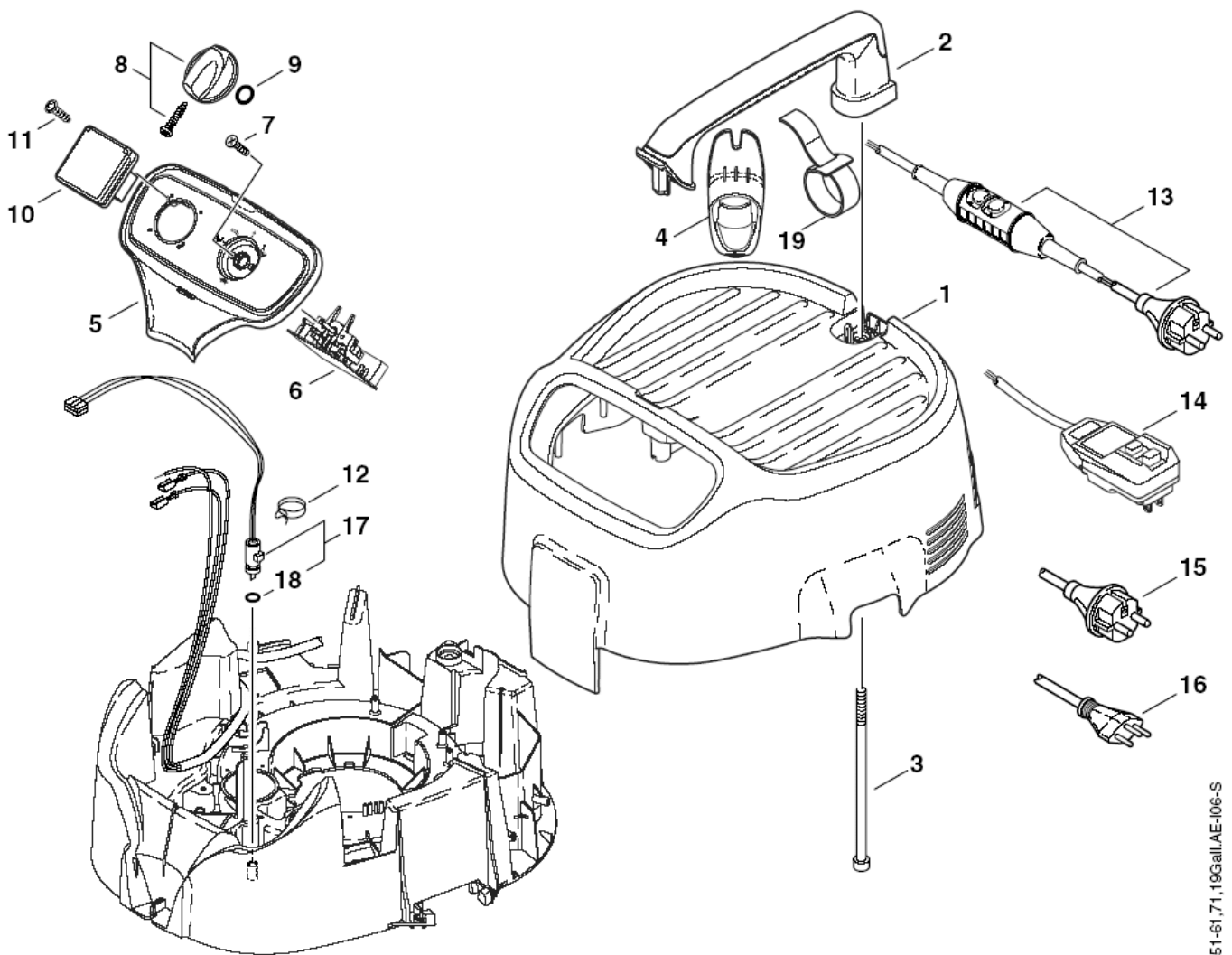
ATTIX 7

06-03-2012

Part List ID  
ATTIX75006

7

## ATTIX 751-61, 751-71, 19 Gallon AE



751-61,71,19Gall,AE-106-S

# Cabinet 751-61, -71, 19 GALLON AE

## ATTIX 7

06-03-2012

Part List ID  
ATTIX75006

8

Pos	Part no.	Qty	Description	EAN
1	107402652	1	6OOD W.SOUNDPROOFING	7319519682
2	107402650	1	HANDLE KIT	7319519682
3	909100084	2	SCREW M6X140	4005337679
4	302000380	1	CABLE HOOK	751-61, 19 Gallon AE 4005337674
5	302001589	1	Sw itch Box "ATTIX 7-61,71	4005337067
6	302001711	1	ELECTRONIC 100-120V SET1	100-120V 4005337072
6	302001712	1	ELECTRONIC 220-240V SET1	220-240V 4005337072
7	18274	2	COUNTERSUNK SCREW	4005337182
8	909100204	1	ROTARY KNOB	4005337689
9	9868	1	O RING	4005337098
10	302004034	1	SOCKET 16A/250V EU	4005337147
11	11256	2	STEEL SCREW 35 X 18	4005337112
12	107400578	1	HOSE CLAMP D10	7319519672
13	302001580	1	POWER CORD H07RN-F 3G1.5X10.7	751-71 4005337067
14	302001708	1	POWER CORD SJTW-A AWG	19GALLON AE 4005337072
15	107402641	1	POWER CORD H05RR-F 3G1.5X8X2	751-61*EU* 7319519682
15	302000440	1	POWER CORD H05RR-F 3G1.0X8.4M	751-61*DK* 4005337681
16	107400267	1	CORD H05RR-F 3G1.0 CH	751-61*CH* 4005337153
17	107402655	1	TEMPERATURE SENSOR KIT	7319519682
18	55416	1	O-RING	4005337554
19	302001611	1	CLAMPING TAPE ATTIX 7	751-71 4005337068



# Cabinet 761-21 XC

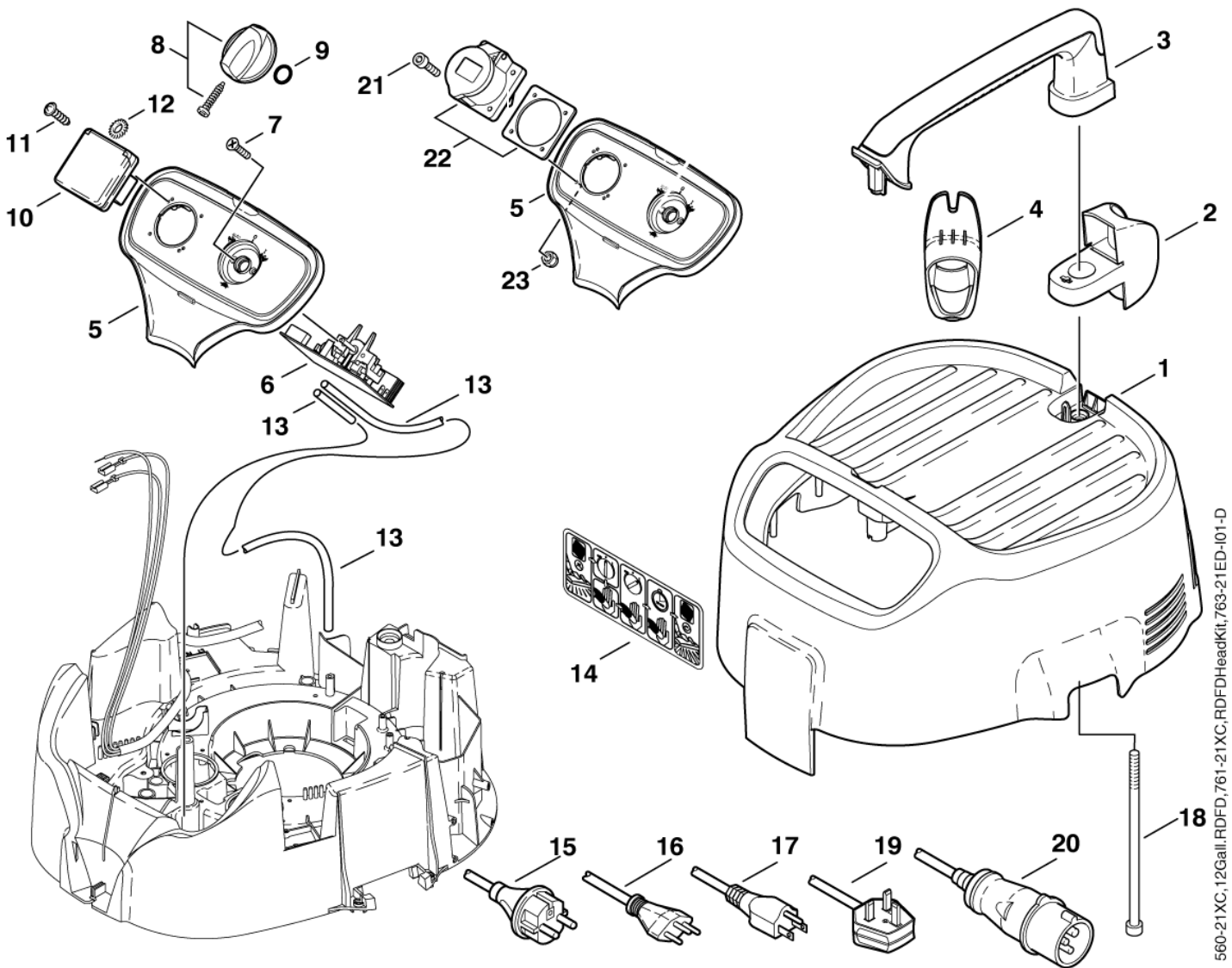
ATTIX 7

06-03-2012

Part List ID  
ATTIX76002

9

ATTIX 560-21 XC, 12 Gallon RDFD, RDFD Head Kit, 761-21 XC, 763-21 ED



560-21XC, 12Gall. RDFD, 761-21XC, RDFD HeadKit, 763-21ED-I01-D

# Cabinet 761-21 XC

ATTIX 7

06-03-2012

Part List ID  
ATTIX76002

10

Pos	Part no.	Qty	Description	EAN
1	107402652	1	GOOD W.SOUNDPROOFING	7319519682
2		1	TUBE FASTENER	4005337674
			560-21XC, 12GALL.RDFD	
3	107402650	1	HANDLE KIT	7319519682
4	302000380	1	CABLE HOOK	4005337674
5	302000757	1	SWITCH BOX	4005337020
6	302000852	1	ELECTRONICS SET 120V	4005337028
			100-120V	
6	302000853	1	ELECTRONICS 230V SET	4005337028
			220-240V	
7	18274	2	COUNTERSUNK SCREW	4005337182
8	909100204	1	ROTARY KNOB	4005337689
9	9868	1	O RING	4005337098
10	302000683	1	SOCKET 10A/250V DK	4005337690
			*DK*	
10	302004034	1	SOCKET 16A/250V EU	4005337147
			*EU*	
10	302004336	1	SOCKET 13A/250V	7319519675
			*GB,230V*	
10	302004337	1	SOCKET 10A/250V CH	7319519675
			*CH*	
10	302004338	1	SOCKET 15A/125V US/CSA	7319519675
			*US*	
11	11256	2	STEEL SCREW 35 X 18	4005337112
12	4021	2	SERRATED LOCK WASHER	4005337040
			*US*	
13	11379	1	HOSE DN 3 X 1.5	4005337113
			* SEE NOTE	
14	302000824	1	LABEL "TOTAL CLEAN" 160X6	4005337025
15	107402641	1	POWER CORD H05RR-F 3G1.5X8X2	7319519682
			*EU*	
15	302000440	1	POWER CORD H05RR-F 3G1.0X8.4M	4005337681
			*DK*	
16	107400267	1	CORD H05RR-F 3G1.0 CH	4005337153
			*CH*	
17	302004332	1	POWER CORD US	7319519675
			*US*	
18	909100084	2	SCREW M6X140	4005337679
19	302000752	1	POWER CORD	4005337021
			*GB,230V*	
20	107400271	1	CORD H07BQ-F 3G2.5 GB	4005337153
			*GB,110V*	
21	50598	4	SCREW M5X20	4005337505
			*GB,110V*	
22	107402842	1	OUTLET 2P AND PE 16A 110V	7319519683
			*GB,110V*	
23	7417	4	HEXAGON NUT	4005337074
			*GB,110V*	

\* NOTE: PLEASE INDICATE LENGTHS IN METRES WHEN ORDERING

# Cabinet 19 GALLON AS/PE

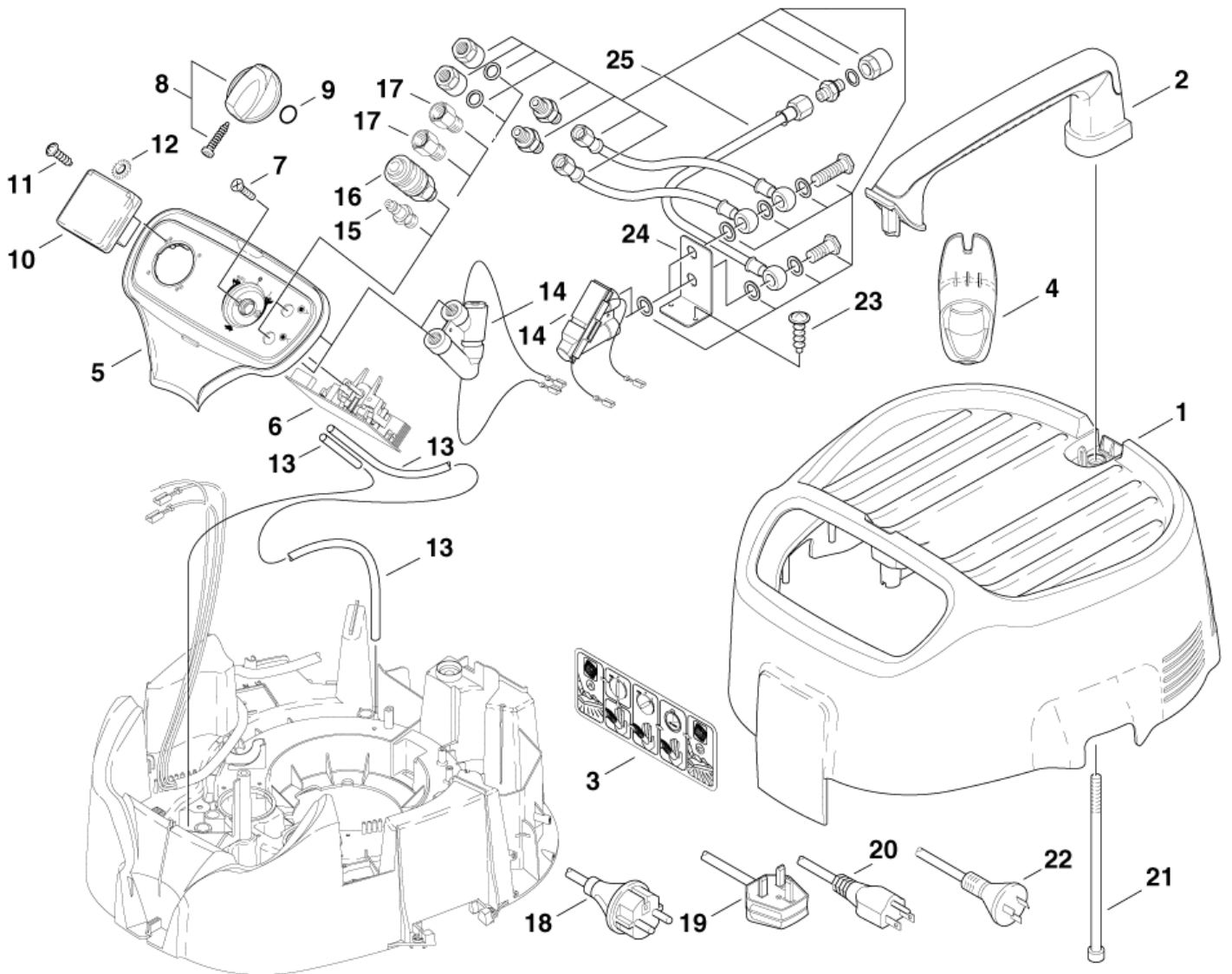
ATTIX 7

06-03-2012

Part List ID  
ATTIX76004

11

ATTIX 560-31 XC, 12 Gallon AS/PE, 19 Gallon AS/PE 2



# Cabinet 19 GALLON AS/PE

ATTIX 7

06-03-2012

Part List ID  
ATTIX76004

12

Pos	Part no.	Qty	Description	EAN
2	107402650	1	HANDLE KIT	7319519682
3	302000824	1	LABEL "TOTAL CLEAN" 160X6	4005337025
4	302000380	1	CABLE HOOK	4005337674
5		1	SWITCH BOX 31 ATTIX 5	560-31XC, 12GALLON AS/PE 4005337020
5	302001590	1	SWITCH BOX ATTIX	19GALLON AS/PE2 4005337067
6	302000852	1	ELECTRONICS SET 120V	100-120V 4005337028
6	302000853	1	ELECTRONICS 230V SET	220-240V 4005337028
7	18274	2	COUNTERSUNK SCREW	4005337182
8	909100204	1	ROTARY KNOB	4005337689
9	9868	1	O RING	4005337098
10	302001185	1	SOCKET 10A/250V AU	*AU* 4005337041
10	302004034	1	SOCKET 16A/250V EU	*EU* 4005337147
10	302004336	1	SOCKET 13A/250V	*GB,230V* 7319519675
10	302004338	1	SOCKET 15A/125V US/CSA	*US* 7319519675
11	11256	2	STEEL SCREW 35 X 18	4005337112
12	4021	2	SERRATED LOCK WASHER	*US* 4005337040
13	11379	1	HOSE DN 3 X 1.5	4005337113
14	60392	1	FLOW SENSOR	4005337603
15		1	AIR SOCKET-MALE	560-31XC 4005337148
16		1	AIR SOCKET-FEMALE	560-31XC 4005337148
17		2	NIPPLE G1/4-R1/4	12GALLON AS/PE 4005337254
18	107402641	1	POWER CORD H05RR-F 3G1.5X8X2	*EU* 7319519682
19	302000752	1	POWER CORD	*GB,230V* 4005337021
20	302004332	1	POWER CORD US	*US* 7319519675
21	909100084	2	SCREW M6X140	4005337679
22	302004333	1	POWER CORD AU	*AU* 7319519675
23	24738	2	SCREW	19GALLON AS/PE2 4005337247
24	302001681	1	ANGLE 1.5 100X70X40X32.5 ST	19GALLON AS/PE2 4005337070
25	302001678	1	AIR MANIFOLD ASSY. SET	19GALLON AS/PE2 4005337070

# Cabinet 791-21

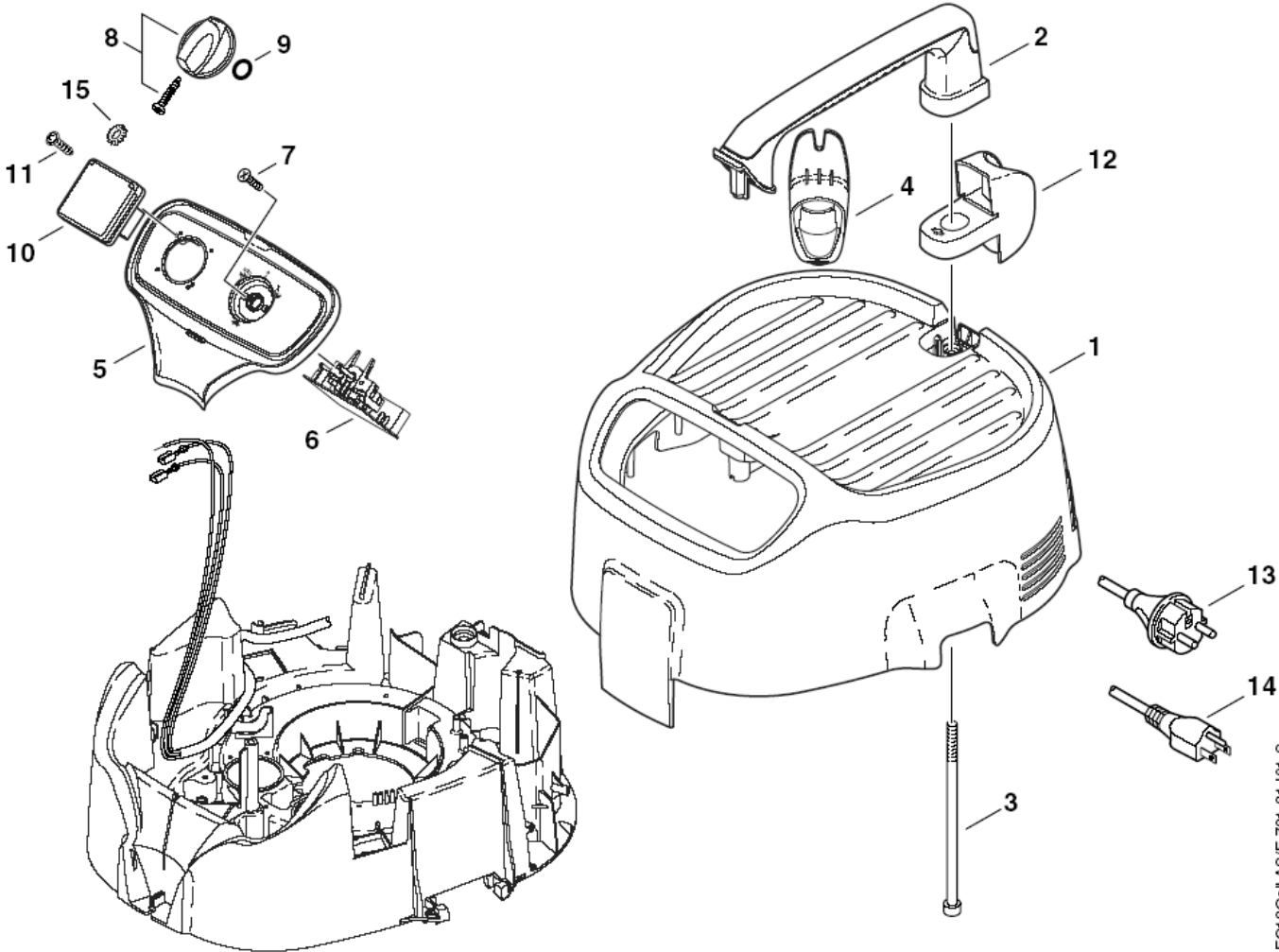
ATTIX 7

06-03-2012

Part List ID  
ATTIX79002

13

ATTIX 590-21, EC 12 Gallon AS/E, 791-21



590-21, EC12Gall, AS/E, 791-21-101-S

# Cabinet 791-21

ATTIX 7

06-03-2012

Part List ID  
ATTIX79002

14

Pos	Part no.	Qty	Description	EAN
1	107402652	1	600D W.SOUNDPROOFING	7319519682
2	107402650	1	HANDLE KIT	7319519682
3	909100084	2	SCREW M6X140	4005337679
4	302000380	1	CABLE HOOK	4005337674
5	302000757	1	SWITCH BOX	4005337020
6		1	CIRCUIT BOARD EC 100-120V	EC 12GALLON AS/E 4005337055
6	302001425	1	ELECTRONIC EA.W.SPEED EC	590-21, 791-21 4005337054
7	18274	2	COUNTERSUNK SCREW	4005337182
8	909100204	1	ROTARY KNOB	4005337689
9	9868	1	O RING	4005337098
10	302004034	1	SOCKET 16A/250V EU	*EU* -590-21, 791-21 4005337147
10		1	SOCKET 15A/125V US/CSA	*US*-EC 12GALLON AS/E 7319519675
11	11256	2	STEEL SCREW 35 X 18	4005337112
12		1	TUBE FASTENER	590-21, EC 12GALLON AS/E 4005337674
13	107402641	1	POWER CORD H05RR-F 3G1.5X8X2	*EU* -590-21, 791-21 7319519682
14		1	POWER CORD US	*US* -EC 12GALLON AS/E 7319519675
15	4021	1	SERRATED LOCK WASHER	4005337040

# Base, motor, filter 751-01, -11, -21, 19 GALLON

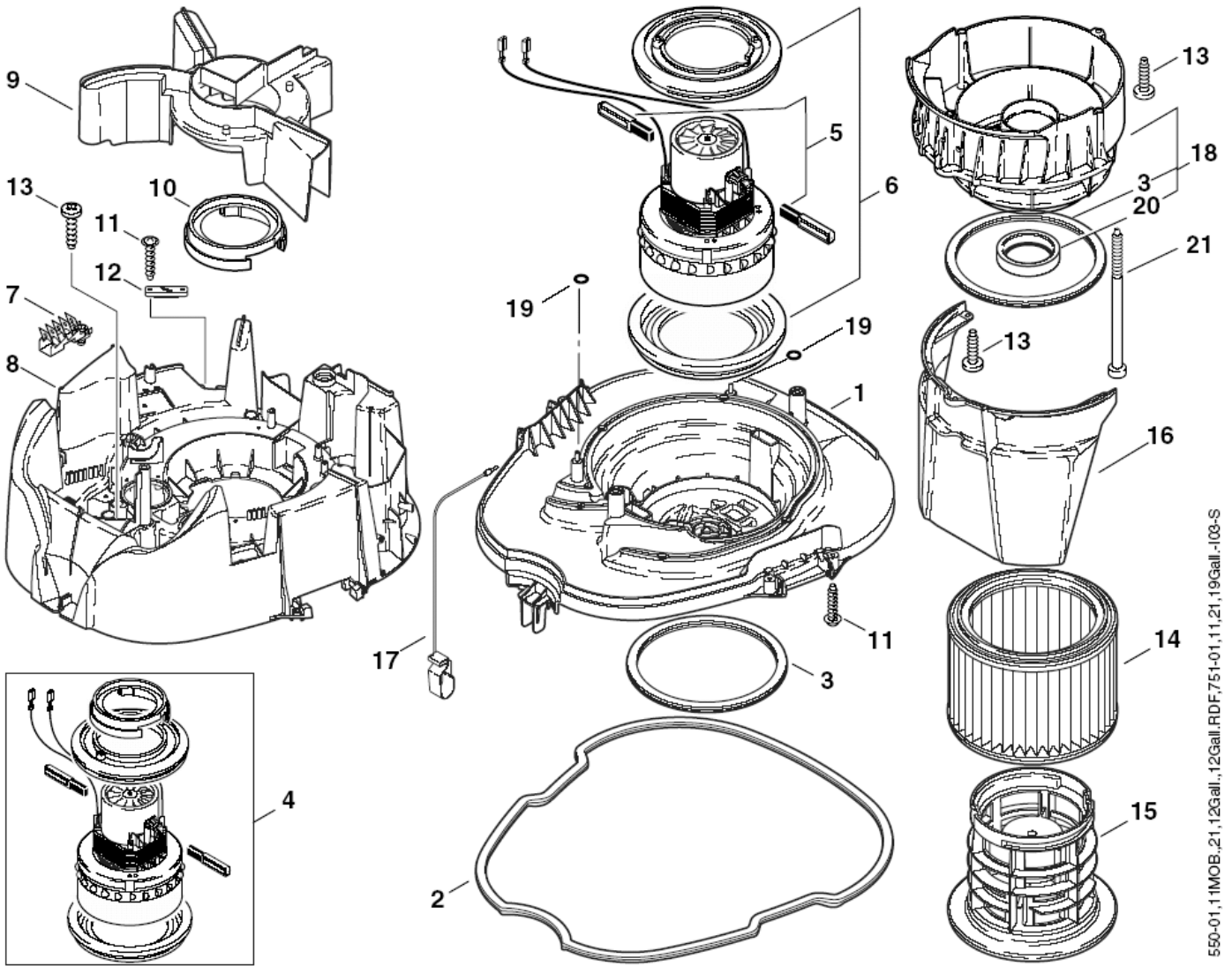
ATTIX 7

06-03-2012

Part List ID  
ATTIX75008

15

ATTIX 550-01, 550-11 MOBIL, 550-21, 12 Gallon, 12 Gallon RDF, 751-01, 751-11, 751-21, 19 Gallon



550-01,11MOB.,21,12Gall.,12Gall.RDF,751-01,11,21,19Gall.-103-S

# Base, motor, filter 751-01, -11, -21, 19 GALL(

## ATTIX 7

06-03-2012

Part List ID  
ATTIX75008

16

Pos	Part no.	Qty	Description		EAN
1	302000372	1	SUPPORTING PLATE ATTIX 5		4005337674
2	302000637	1	GASKET FOR CONTAINER		4005337687
3	302000460	1	GASKET FOR FILTER		4005337136
4	26783	1	MOTOR 100V 1200W	100V/1200W	4005337267
4	26784	1	ELECTRIC MOTOR 110 -120	110-120V/1200W	4005337267
4	26785	1	MOTOR -110V - TURBO VACUUM-WAS	120V/1000W	4005337267
4	49594	1	MOTOR 220V WAS 30756(SQ 4 50.55	220-240V/1200W	7319519675
5	26774	1	CARBON BRUSHES ( PAIR OF )	FOR IDENTIF.LETTER "M"	4005337267
5	26775	1	CARBON BRUSHES	FOR IDENTIF.LETTER "L"	4005337267
5	49625	1	CARBON BRUSHES-PAIR	FOR IDENTIF. LETTER "C"	4005337496
6	28875	1	RING	FOR IDENTIF.LETTER "L"+"M"	4005337288
6	29205	1	SEAL	FOR IDENTIF. LETTER "L"+"M"	4005337292
6	42538	1	MOTOR BEARING RING SET	FOR IDENTIF. LETTER "C"	4005337425
6	61167	1	MOTOR BEARING RING SET	FOR IDENTIF. LETTER "C"	4005337611
7	302000755	1	TERMINAL STRIP		4005337021
8	107402638	1	PLATE CHUCK ATTIX 550 PP KIT		7319519682
9	302000373	1	AIR DUCT ATTIX 5		4005337674
10		1	COLLAR 55 SHORE A EPDM	12GALL., 12GALL. RDF, 19GALL.	4005337470
10	47036	1	SEALS WAS 11225		4005337470
11	11256	6	STEEL SCREW 35 X 18		4005337112
12	5697	1	COVER PLATE		4005337056
13	909100138	10	SCREW 5X20		4005337023
14	11753	1	FILTER ELEMENT XL/SQ550/A ERO	*ZA*	4005337117
14	302000490	1	FILTER ELEMENT		4005337682
15	107402646	1	FILTER SUPPORT CAGE ATTIX PP		7319519682
16	302000379	1	DEFLECTOR		4005337674
17	302000823	1	CONTACT SPRING	*GB,230V*	4005337025
17	61174	1	EARTHING CABLE		4005337611
18	302001641	1	ADAPTER BASE PLATE/FILTER	751-01, 751-11, 751-21, 19GALL.	4005337069
19	62359	2	GASKET 9X4X1		4005337623
20	302001546	1	GASKET	751-01, 751-11, 751-21, 19GALL.	4005337068
21	909100196	3	SCREW 5X90	751-01, 751-11, 751-21, 19GALL.	4005337056



# Base, motor, filter 751-61, -71, 19 GALLON /

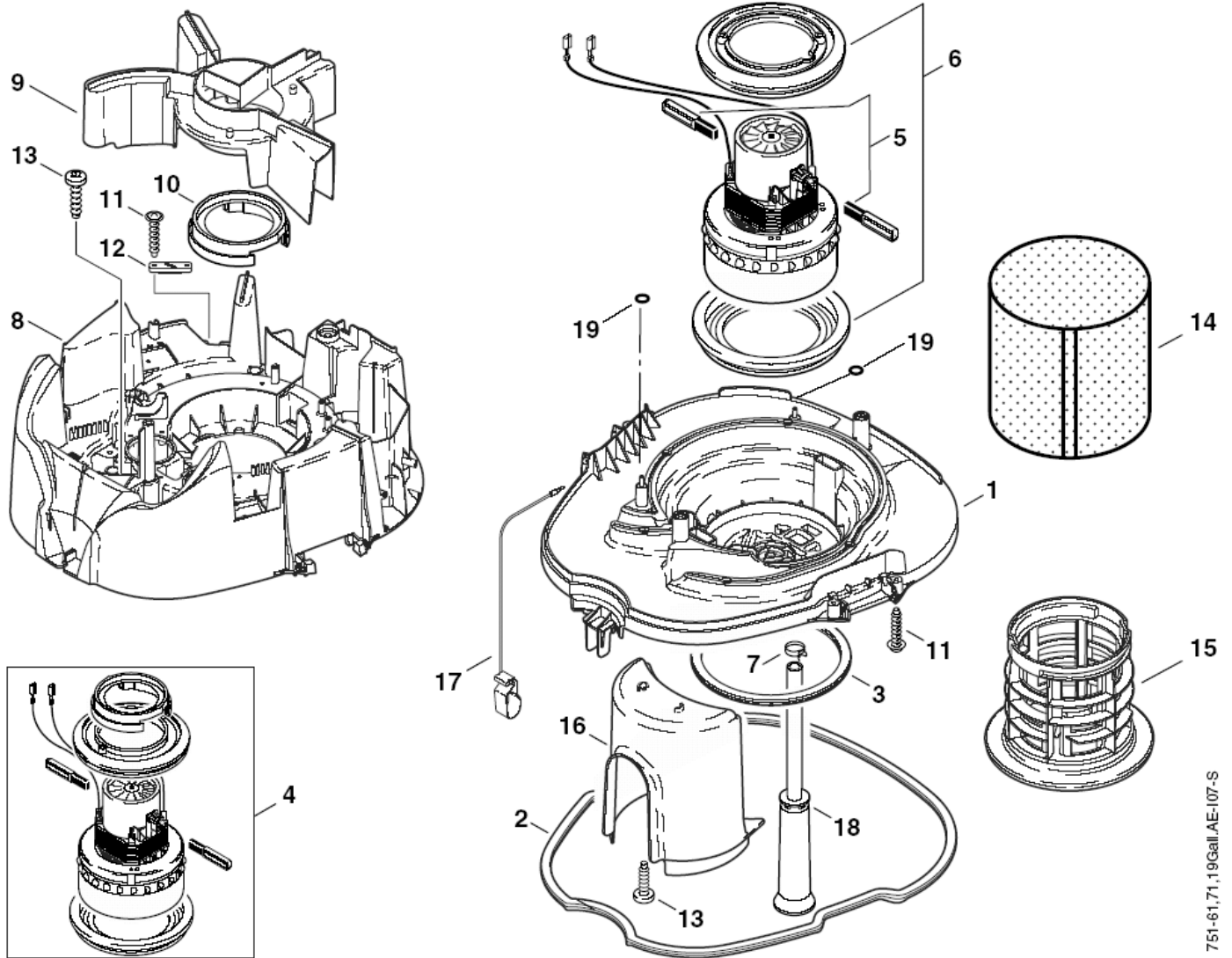
ATTIX 7

06-03-2012

Part List ID  
ATTIX75010

17

## ATTIX 751-61, 19 Gallon AE, 751-71



751-61, 71, 19Gall AE-107-S

# Base, motor, filter 751-61, -71, 19 GALLON / ATTIX 7

06-03-2012

Part List ID  
ATTIX75010

18

Pos	Part no.	Qty	Description		EAN
1	302000372	1	SUPPORTING PLATE ATTIX 5		4005337674
2	302000637	1	GASKET FOR CONTAINER		4005337687
3	302000460	1	GASKET FOR FILTER		4005337136
4	26783	1	MOTOR 100V 1200W	100V/1200W	4005337267
4	26784	1	ELECTRIC MOTOR 110 -120	110-120V/1200W	4005337267
4	26785	1	MOTOR -110V - TURBO VACUUM-WAS	120V/1000W	4005337267
4	49594	1	MOTOR 220V WAS 30756(SQ 4 50.55	220-240V/1200W	7319519675
5	26774	1	CARBON BRUSHES ( PAIR OF )	FOR IDENTIF. LETTER "M"	4005337267
5	26775	1	CARBON BRUSHES	FOR IDENTIF. LETTER "L"	4005337267
5	49625	1	CARBON BRUSHES-PAIR	FOR IDENTIF. LETTER "C"	4005337496
6	28875	1	RING	FOR IDENTIF. LETTER "L"+"M"	4005337288
6	29205	1	SEAL	FOR IDENTIF. LETTER "L"+"M"	4005337292
6	42538	1	MOTOR BEARING RING SET	FOR IDENTIF. LETTER "C"	4005337425
6	61167	1	MOTOR BEARING RING SET	FOR IDENTIF. LETTER "C"	4005337611
7	909100137	1	BAND CLAMP FITTING 19		4005337021
8	107402638	1	PLATE CHUCK ATTIX 550 PP KIT		7319519682
9	302000373	1	AIR DUCT ATTIX 5		4005337674
10	47035	1	COLLAR 55 SHORE A EPDM	19GALLAE	4005337470
10	47036	1	SEALS WAS 11225		4005337470
11	11256	6	STEEL SCREW 35 X 18		4005337112
12	5697	1	COVER PLATE		4005337056
13	909100138	9	SCREW 5X20		4005337023
14	15475	1	FILTER STRAINER WATER ONLY		4005337154
15	302000345	1	FILTER SUPPORT CAGE		4005337674
16	302001436	1	DEFLECTOR ATTIX 7		4005337056
17	61174	1	EARTHING CABLE		4005337611
18	302001473	1	HOSE D40x396		4005337059
19	62359	2	GASKET 9X4X1		4005337623

# Base, motor 761-21 XC, 19 GALLON AS/PE

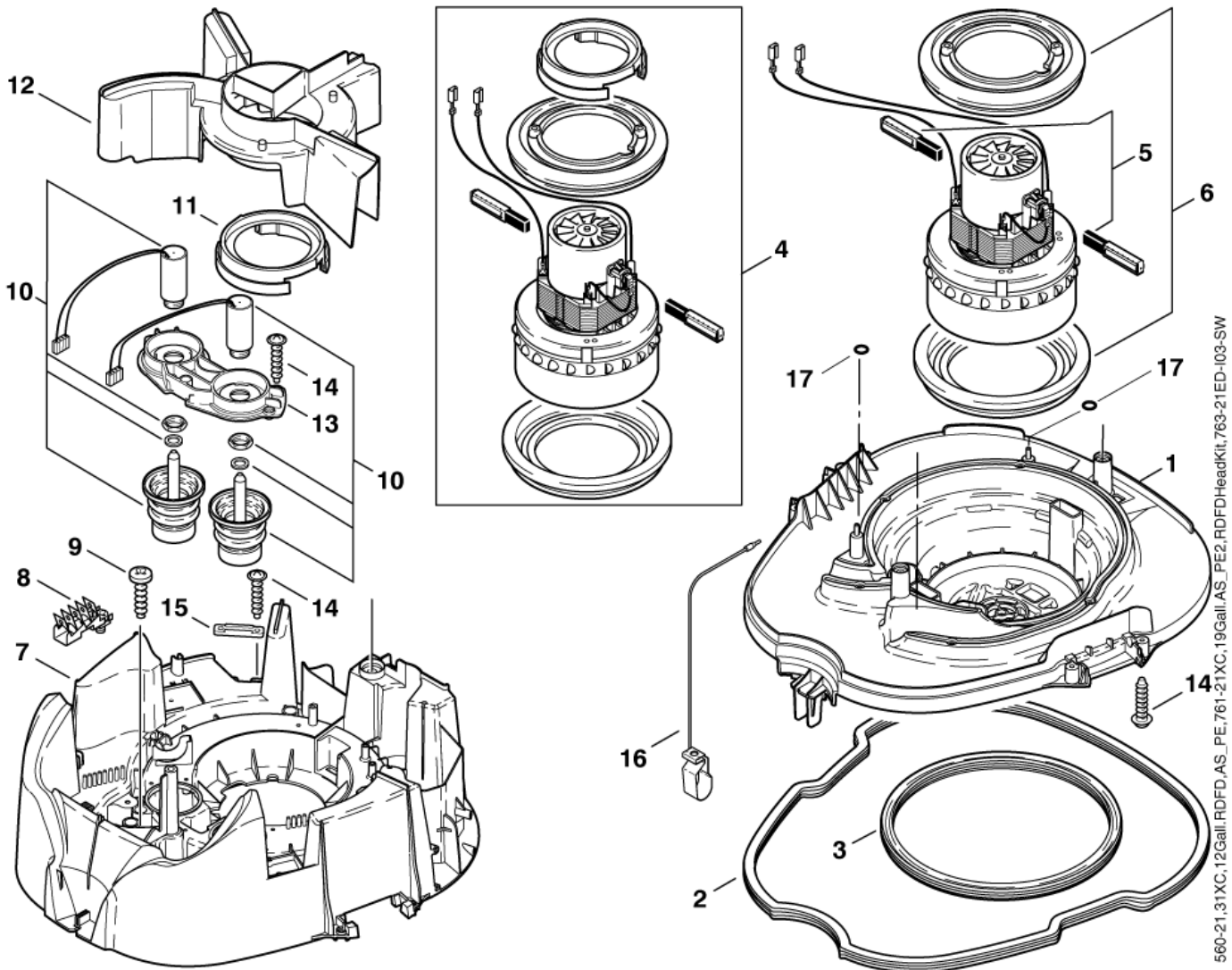
06-03-2012

Part List ID  
ATTIX76006

ATTIX 7

19

ATTIX 560-21 XC, 560-31 XC, 12Gallon RDFD, 12Gallon AS/PE, RDFD Head Kit, 761-21 XC, 19Gallon AS/PE2, 763-21 ED



560-21,31XC,12Gall.RDFD,AS\_PE,761-21XC,19Gall,AS\_PE2,RDFD-HeadKit,763-21ED-103-SW

# Base, motor 761-21 XC, 19 GALLON AS/PE

ATTIX 7

06-03-2012

Part List ID  
ATTIX76006

20

Pos	Part no.	Qty	Description		EAN
1	302000511	1	BASE		4005337021
2	302000637	1	GASKET FOR CONTAINER		4005337687
3	302000697	1	GASKET FILTER		4005337690
4	26784	1	ELECTRIC MOTOR 110 -120	110-120V/1200W	4005337267
4	49594	1	MOTOR 220V WAS 30756(SQ 4 50.55	220-240V/1200W	7319519675
4		1	motor motor	763-21 ED	4005337620
5	26774	1	CARBON BRUSHES ( PAIR OF )	FOR IDENTIF.LETTER "M"	4005337267
5	26775	1	CARBON BRUSHES	FOR IDENTIF.LETTER "L"	4005337267
5	49625	1	CARBON BRUSHES-PAIR	FOR IDENTIF.LETTER "C"	4005337496
6	28875	1	RING	FOR IDENTIF.LETTER "L"+"M"	4005337288
6	29205	1	SEAL	FOR IDENTIF.LETTER "L"+"M"	4005337292
6	42538	1	MOTOR BEARING RING SET	FOR IDENTIF. LETTER "C"	4005337425
6	61167	1	MOTOR BEARING RING SET	FOR IDENTIF. LETTER "C"	4005337611
7	107402639	1	PLATE CHUCK ATTIX 560 PP KIT		7319519682
8	302000755	1	TERMINAL STRIP		4005337021
9	909100138	6	SCREW 5X20		4005337023
10	107402635	2	ELECTROMAGNET 24 V KIT	FOR 220-240V	7319519682
10	302000217	2	Electromagnet 12V	FOR 100-120V	4005337673
11	47036	1	SEALS WAS 11225		4005337470
12	302000373	1	AIR DUCT ATTIX 5		4005337674
13	302000388	1	FRAME 190X90X18 PP		4005337020
14	11256	11	STEEL SCREW 35 X 18		4005337112
15	5697	1	COVER PLATE		4005337056
16	302000823	1	CONTACT SPRING	*GB,230V*	4005337025
16	61174	1	EARTHING CABLE		4005337611
17	62359	2	GASKET 9X4X1		4005337623

# Filter, cleaning system 761-21 XC, 19 GALLON

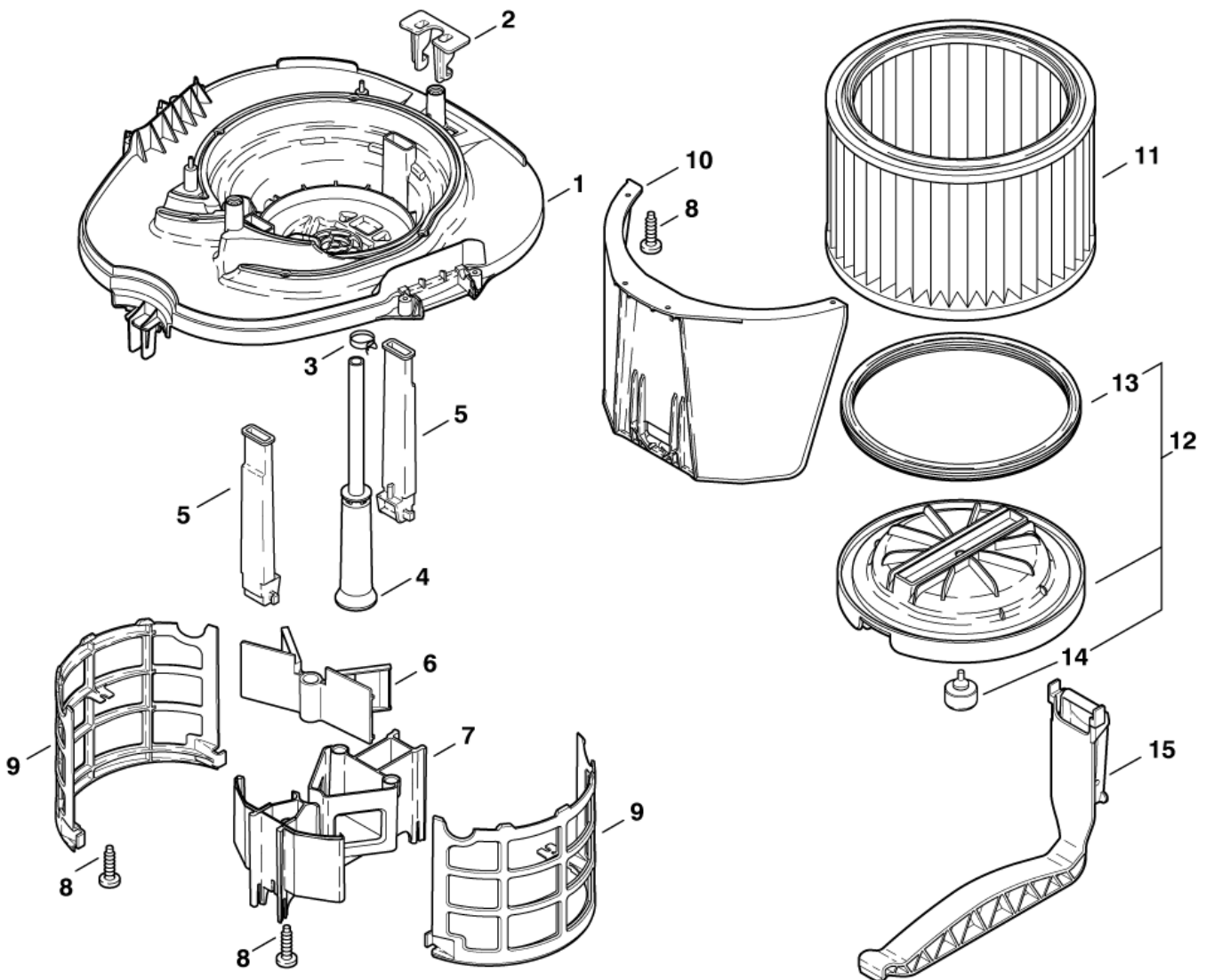
ATTIX 7

06-03-2012

Part List ID  
ATTIX76008

21

ATTIX 560-21 XC, 560-31 XC, 12Gallon RFD, 12Gallon AS/PE, RFD Head Kit, 761-21 XC, 19Gallon AS/PE2, 763-21 ED



560-21,31XC,12Gall.RFD,AS\_PE,761-21XC,19Gall.AS\_PE2,RFDHeadKit,763-21ED-104-S

# Filter, cleaning system 761-21 XC, 19 GALLON

ATTIX 7

06-03-2012

Part List ID  
ATTIX76008

22

Pos	Part no.	Qty	Description	EAN
1	302000511	1	BASE	4005337021
2	302000512	1	FIXATION 72X32X52	4005337020
3	909100137	1	BAND CLAMP FITTING 19	4005337021
4	302001473	1	HOSE D40x396	* SEE NOTE 4005337059
4	303000516	1	HOSE	** SEE NOTE 4005337023
5	302000514	2	GASKET	4005337023
6	302000387	1	FLAP 158x64x68	4005337020
7	302000386	1	COVER 211x151x118	4005337021
8	909100138	9	SCREW 5X20	4005337023
9	302000385	2	FILTER SUPPORT CAGE 216X 93x177	4005337020
10	107402640	1	Deflector	7319519682
11	107400562	1	FILTER ELEMENT D275x187 PET NANO & META	5715492044
11	302000751	1	FILTER ELEMENT 275X182 Kit	4005337020
12	107402653	1	FILTER SURFACE PLATE	7319519682
13	302000697	1	GASKET FILTER	4005337690
14	302000515	1	PLUG Ø 33X37	4005337023
15	107402651	1	TENSION JACK	7319519682

\* NOTE: 761-21XC, 19Gall.AS/PE2, RDFD Head Kit, not 763-21 ED

\*\*NOTE: 560-21XC, 560-31XC, 12Gall.RDFD, 12Gall.AS/PE, not 763-21 ED

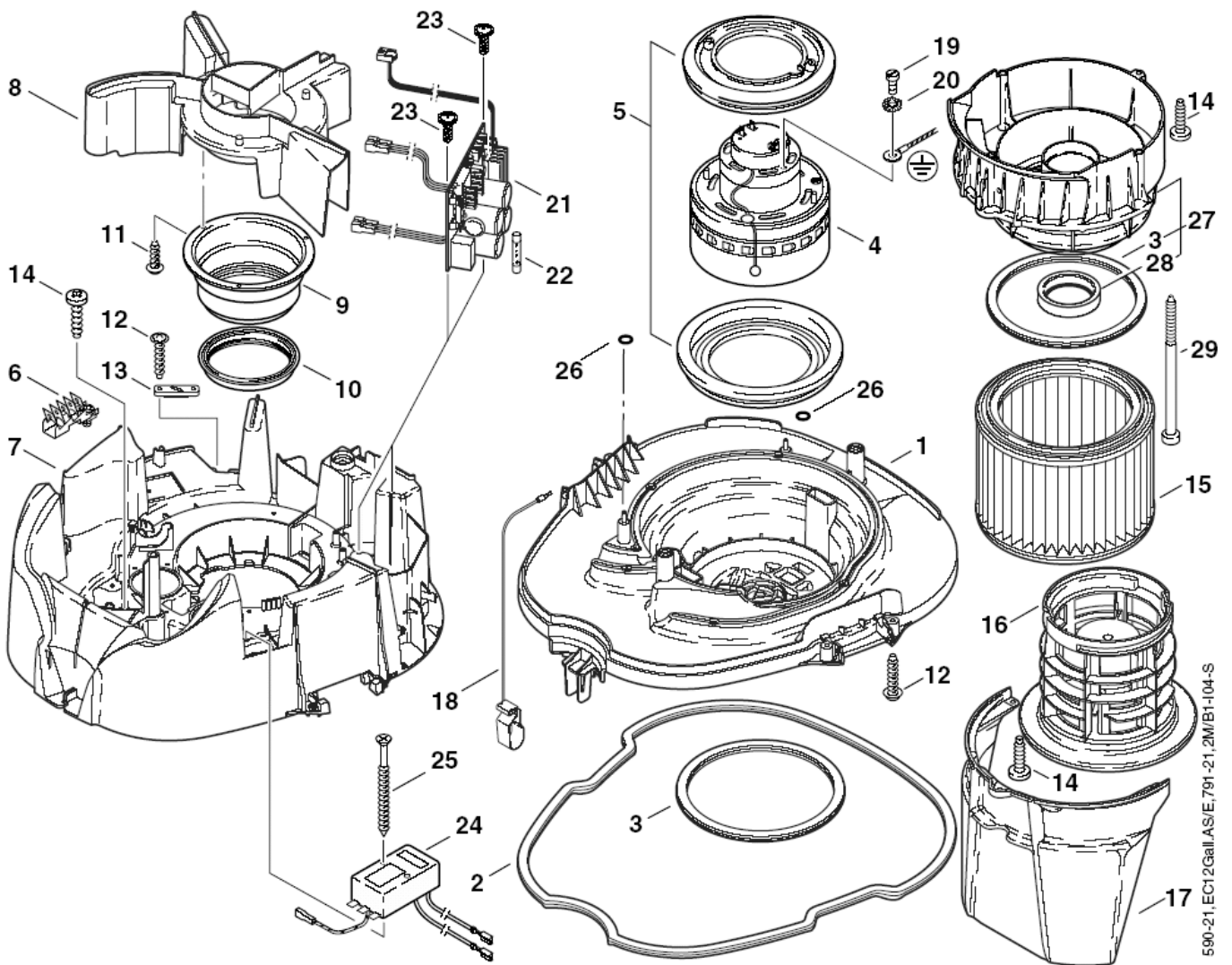
# Base, motor, filter 791-21

ATTIX 7

06-03-2012

Part List ID  
ATTIX79008

23



590-21, EC12Gall AS/E, 791-21, 2M/B1-104-S

# Base, motor, filter 791-21

ATTIX 7

06-03-2012

Part List ID  
ATTIX79008

24

Pos	Part no.	Qty	Description		EAN
1	302000372	1	SUPPORTING PLATE ATTIX 5		4005337674
2	302000637	1	GASKET FOR CONTAINER		4005337687
3	302000460	1	GASKET FOR FILTER		4005337136
4	107402629	1	MOTOR TURBINE 1000W 100/120V	EC 12GALLON AS/E, 791-2M/B1*GB,110V*	7319519682
4	60561	1	SUCTION MOTOR EC	590-21, 791-21,, 791-2M/B1*EU*GB,230V*	4005337605
5	61167	1	MOTOR BEARING RING SET		4005337611
6	302000755	1	TERMINAL STRIP		4005337021
7	107402638	1	PLATE CHUCK ATTIX 550 PP KIT	590-21, EC 12GALLON AS/E, 791-21	7319519682
7		1	SUPPORTING PLATE ATTIX 550 FLOW SENSOR	791-2M/B1	4005337043
8	302000373	1	AIR DUCT ATTIX 5		4005337674
9	60877	1	BRACKET		4005337608
10	47364	1	PACKING RING		4005337473
11	11254	3	STEEL SCREW 35 X 10		4005337112
12	11256	6	STEEL SCREW 35 X 18		4005337112
13	5697	1	COVER PLATE		4005337056
14	909100138	9	SCREW 5X20		4005337023
15	302000490	1	FILTER ELEMENT		4005337682
16	107402646	1	FILTER SUPPORT CAGE ATTIX PP		7319519682
17	302000379	1	DEFLECTOR		4005337674
18	61174	1	EARTHING CABLE		4005337611
19	6163	1	CYLINDER SCREW M4X12 ISO 1207 ZN		4005337061
20	4021	1	SERRATED LOCK WASHER		4005337040
21	302000833	1	ELECTRONIC EC 230V SET-1	590-21, 791-21, 791-2M/B1*EU*GB,230V*	4005337035
21		1	ELECTRONIC EC 110V SET-1	EC 12GALLON AS/E, 791-2M/B1*GB,110V*	4005337055
22	48333	1	FUSE 10A	590-21, 791-21, 791-2M/B1*EU*GB,230V*	4005337483
22		1	FINE-WIRE FUSE	EC 12GALLON AS/E, 791-2M/B1*GB,110V*	4005337650
23	10028	2	STEEL SCREW FOR SYNTH MAT		4005337100
24	107402619	1	SCREENING FILTER KIT	590-21, 791-21, 791-2M/B1*EU*GB,230V*	7319519682
24		1	INTERF. SUPPRESSION FILTE	EC 12GALLON AS/E, 791-2M/B1*GB,110V*	4005337649
25	11255	2	STEEL SCREW		4005337112
26	62359	2	GASKET 9X4X1		4005337623
27	302001641	1	ADAPTER BASE PLATE/FILTER	791-21, 791-2M/B1	4005337069
28	302001546	1	GASKET	791-21, 791-2M/B1	4005337068
29	909100196	3	SCREW 5X90	791-21, 791-2M/B1	4005337056



# Buzzer, flow sensor 791-21

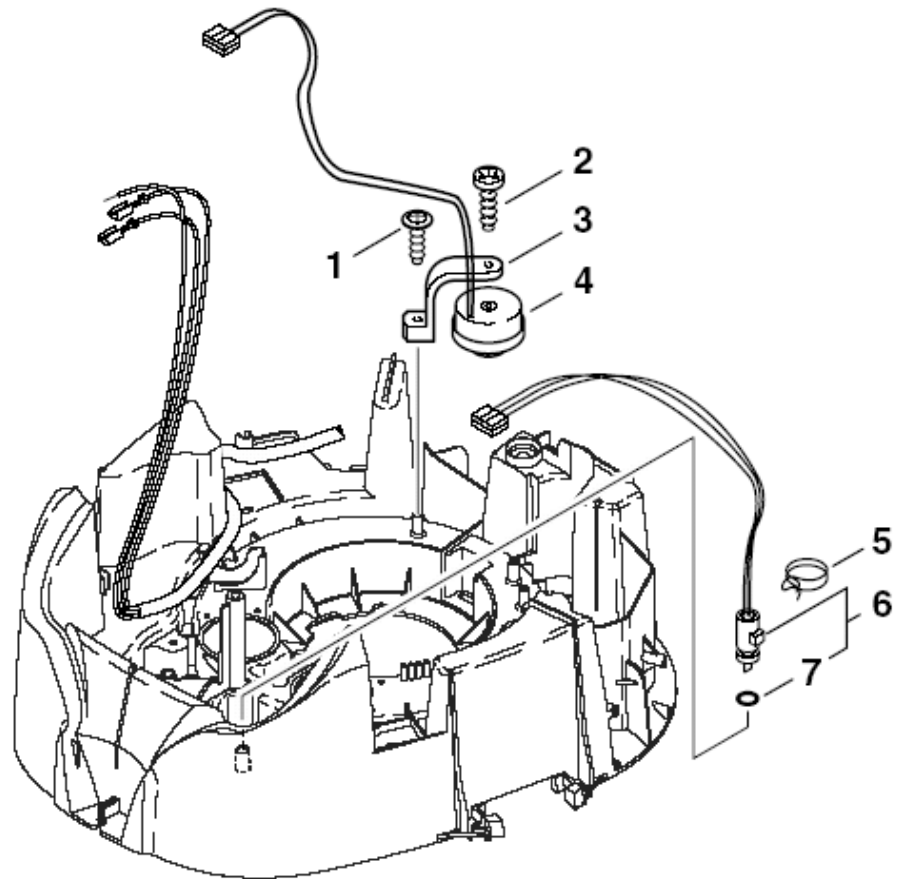
ATTIX 7

06-03-2012

Part List ID  
ATTIX79006

25

ATTIX 791-2M/B1



# Buzzer, flow sensor 791-21

ATTIX 7

06-03-2012

Part List ID  
ATTIX79006

26

Pos	Part no.	Qty	Description	EAN
1	11254	1	STEEL SCREW 35 X 10	4005337112
2	14418	1	SCREW	4005337144
3	25871	1	BRACKET	4005337258
4	107400579	1	PIEZO BUZZER	7319519672
5	107400578	1	HOSE CLAMP D10	7319519672
6	302000428	1	FLOW SENSOR	4005337680
7	55416	1	O-RING	4005337554

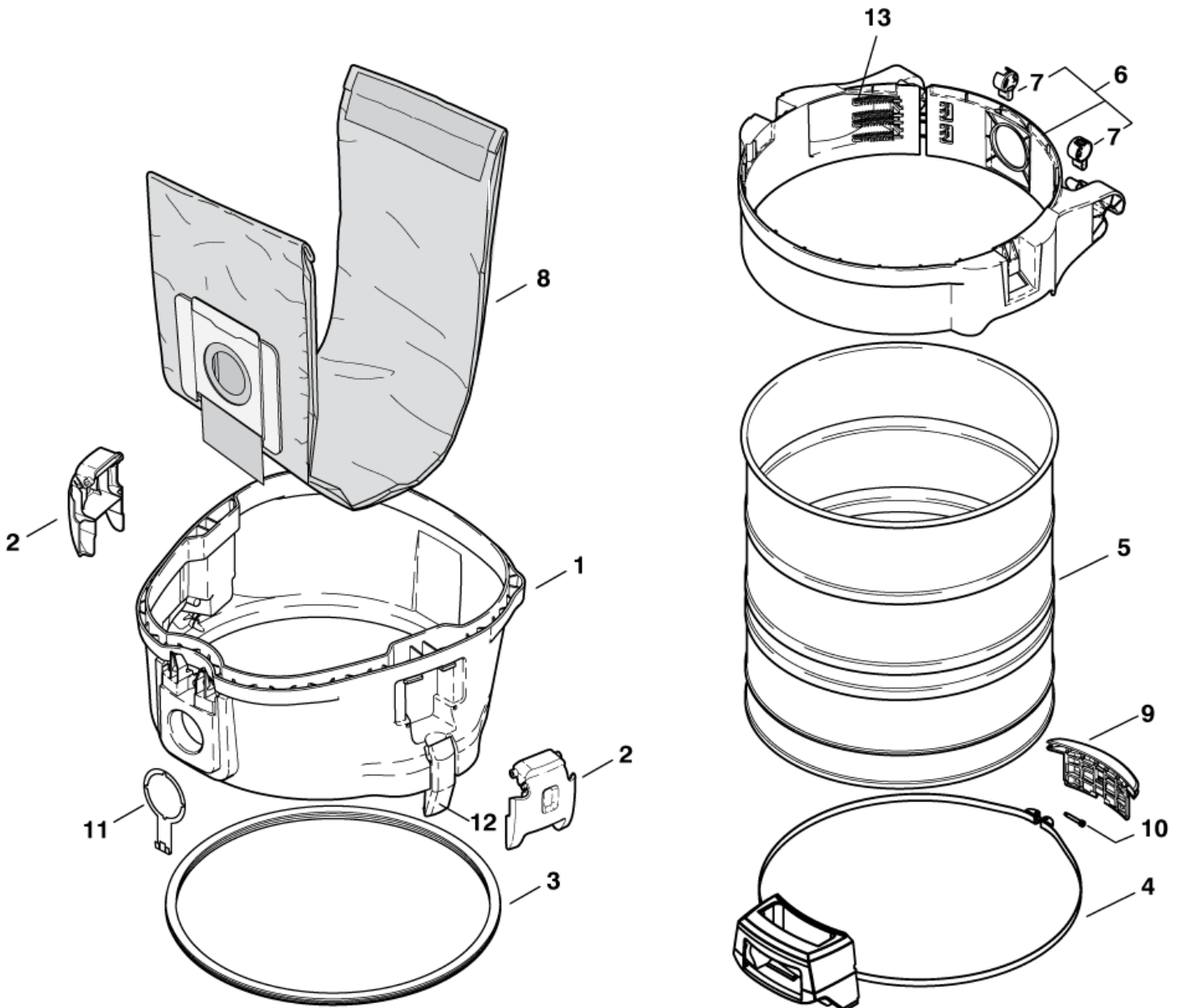
# Container 751-01, - 11, -21, 19 GALLON

ATTIX 7

06-03-2012

Part List ID  
ATTIX75016

27



# Container 751-01, - 11, -21, 19 GALLON

ATTIX 7

06-03-2012

Part List ID  
ATTIX75016

28

Pos	Part no.	Qty	Description	EAN
1	107400257	1	ADAPTERRING ATTIX 7 KIT	4005337152
2	302000349	2	LOCKING CLAMP	4005337674
3	302001432	1	GASKET CONTAINER	4005337067
4	302001605	1	HANDLE W/ TAPE	4005337068
5	107402657	1	Container	7319519682
6	302001704	1	BELT CONTAINER Ø480 SET	4005337072
7	302001441	2	INTERLOCK CONTAINER ATTIX	4005337059
8	302001484	1	FBAG ATTIX 7 5pcs	4005337061
9	302001363	1	HOLDER 155X55X35	4005337045
10	302001613	1	SWITCH	4005337068
11	107400145	1	Ground connector-attix 7	4005337151
12	19880	1	FIXING CLAMP WAS 11370\19 881	4005337198
13	909100383	1	SPRING 1.40X7.5X113	4005337077

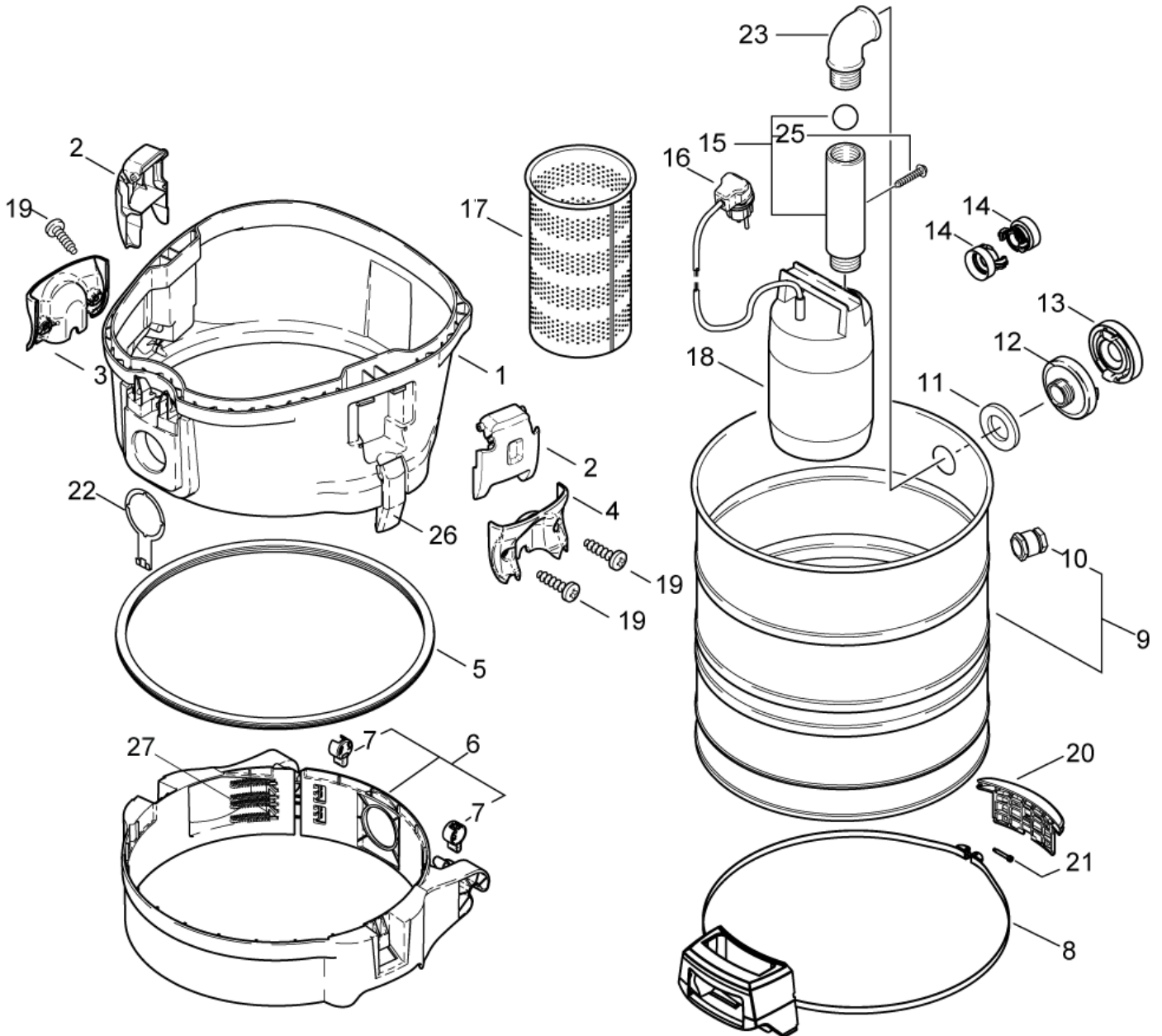
# Container 751-61, -71, 19 GALLON AE

ATTIX 7

06-03-2012

Part List ID  
ATTIX75018

29



# Container 751-61, -71, 19 GALLON AE

ATTIX 7

06-03-2012

Part List ID  
ATTIX75018

30

Pos	Part no.	Qty	Description	EAN
1	107400257	1	ADAPTERRING ATTIX 7 KIT	4005337152
2	302000349	2	LOCKING CLAMP	4005337674
3	302001553	1	SEAL CLAMP	4005337063
4	302001552	1	SEAL CLAMP	4005337063
5	302001432	1	GASKET CONTAINER	4005337067
6	302001704	1	BELT CONTAINER Ø480 SET	4005337072
7	302001441	2	INTERLOCK CONTAINER ATTIX	4005337059
8	302001605	1	HANDLE W/ TAPE	4005337068
9	302001361	1	CONTAINER ATTIX 7 FIRE	4005337045
10	64901	1	SCREWED CABLE GLAND M16X1.5	4005337649
11	107402254	1	GASKET KIT D42X58X6	7319519680
11	60901	2	Gasket ?42x58x3	4005337609
12	302001482	1	COUPLING	4005337061
13	107402618	1	PIPE COUPLING KIT	7319519682
14	7729	2	GEKA COUPLING 1in	4005337077
15	302001133	1	BACKFLOW GATE	4005337036
16	11832	1	SOCKET	4005337118
17	302001434	1	CHIP BASKET CHIP BASKET	4005337056
18	302000297	1	PUMP 230/50	230V/50HZ 4005337674
18	302000307	1	PUMP SUBM. 115/60 650WC G5/4/	115V/60HZ 4005337674
19	909100138	4	SCREW 5X20	4005337023
20	302001363	1	HOLDER 155X55X35	4005337045
21	302001613	1	SWITCH	4005337068
22	107400145	1	Ground connector-attix 7	4005337151
23	21678	1	1.1/4" ANGLE	4005337216
24		1	RUBBER BALL D 35	4005337343
25	43341	1	SCREW	4005337433
26	19880	1	FIXING CLAMP WAS 11370\19 881	4005337198
27	909100383	1	SPRING 1.40X7.5X113	4005337077

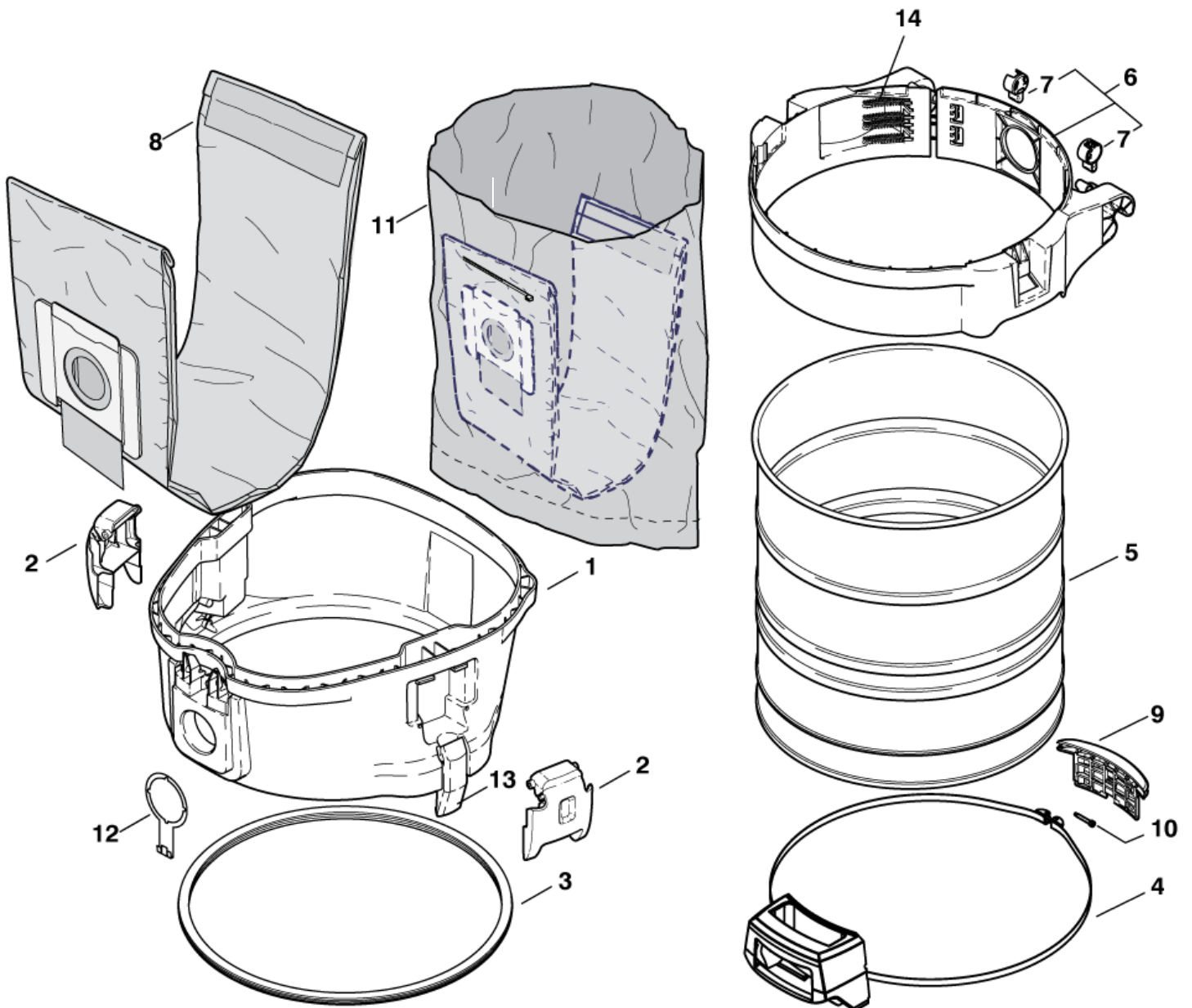
# Container 761-21, 19 GALLON AS/PE

ATTIX 7

06-03-2012

Part List ID  
ATTIX76012

31



# Container 761-21, 19 GALLON AS/PE

ATTIX 7

06-03-2012

Part List ID  
ATTIX76012

32

Pos	Part no.	Qty	Description	EAN
1	107400257	1	ADAPTERRING ATTIX 7 KIT	4005337152
2	302000349	2	LOCKING CLAMP	4005337674
3	302001432	1	GASKET CONTAINER	4005337067
4	302001605	1	HANDLE W/ TAPE	4005337068
5	107402657	1	Container	7319519682
6	302001704	1	BELT CONTAINER Ø480 SET	4005337072
7	302001441	2	INTERLOCK CONTAINER ATTIX	4005337059
8	302001484	1	FBAG ATTIX 7 5pcs	4005337061
9	302001363	1	HOLDER 155X55X35	4005337045
10	302001613	1	SWITCH	4005337068
11	302001480	1	DISP BAG ATTIX 7 5pcs	4005337061
12	107400145	1	Ground connector-attix 7	4005337151
13	19880	1	FIXING CLAMP WAS 11370\19 881	4005337198
14	909100383	1	SPRING 1.40X7.5X113	4005337077



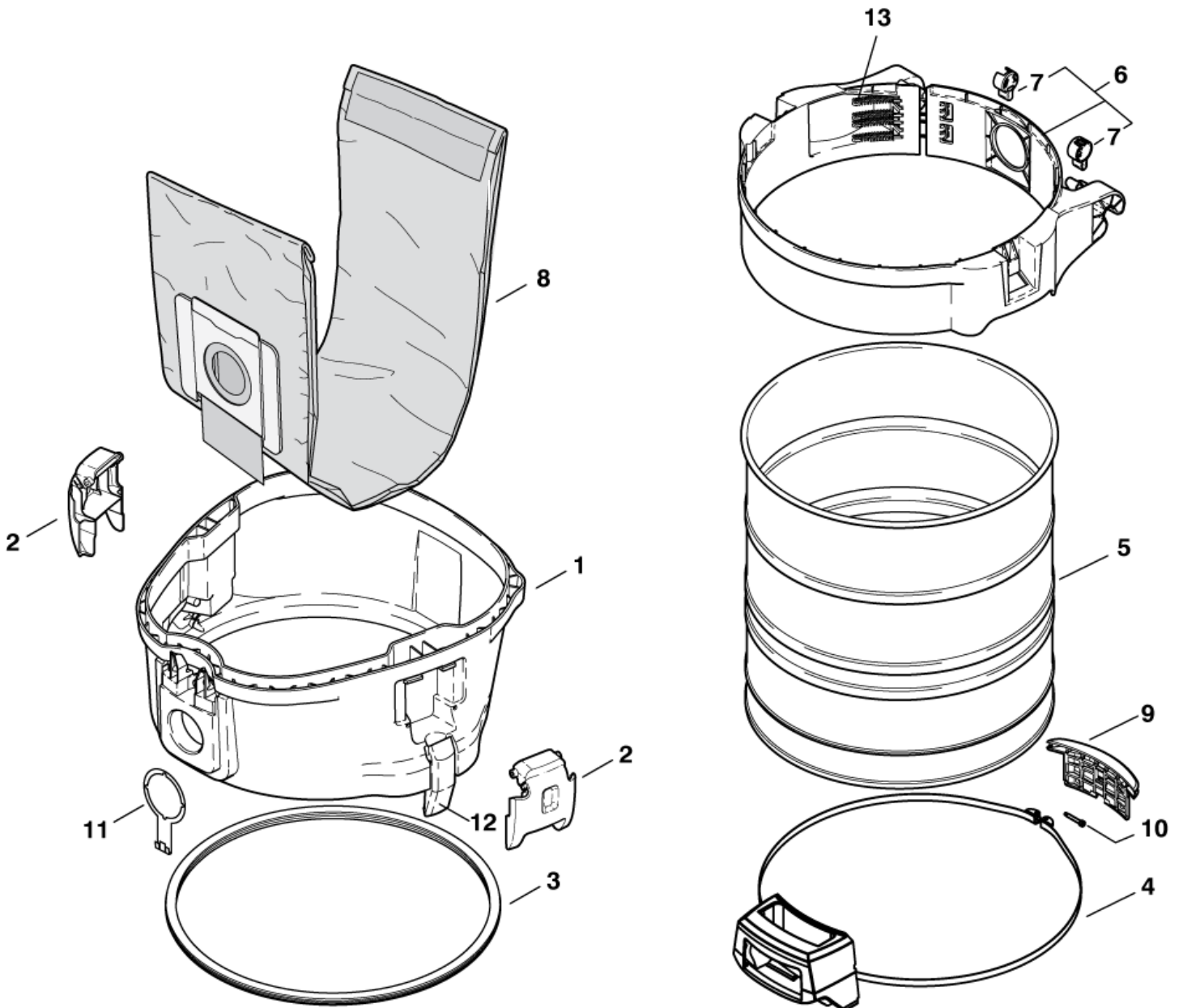
# Container 791-21

ATTIX 7

06-03-2012

Part List ID  
ATTIX59012

33



# Container 791-21

ATTIX 7

06-03-2012

Part List ID  
ATTIX59012

34

Pos	Part no.	Qty	Description	EAN
1	107400257	1	ADAPTERRING ATTIX 7 KIT	4005337152
2	302000349	2	LOCKING CLAMP	4005337674
3	302001432	1	GASKET CONTAINER	4005337067
4	302001605	1	HANDLE W/ TAPE	4005337068
5	107402657	1	Container	7319519682
6	302001704	1	BELT CONTAINER Ø480 SET	4005337072
7	302001441	2	INTERLOCK CONTAINER ATTIX	4005337059
8	302001484	1	FBAG ATTIX 7 5pcs	4005337061
9	302001363	1	HOLDER 155X55X35	4005337045
10	302001613	1	SWITCH	4005337068
11	107400145	1	Ground connector-attix 7	4005337151
12	19880	1	FIXING CLAMP WAS 11370\19 881	4005337198
13	909100383	1	SPRING 1.40X7.5X113	4005337077

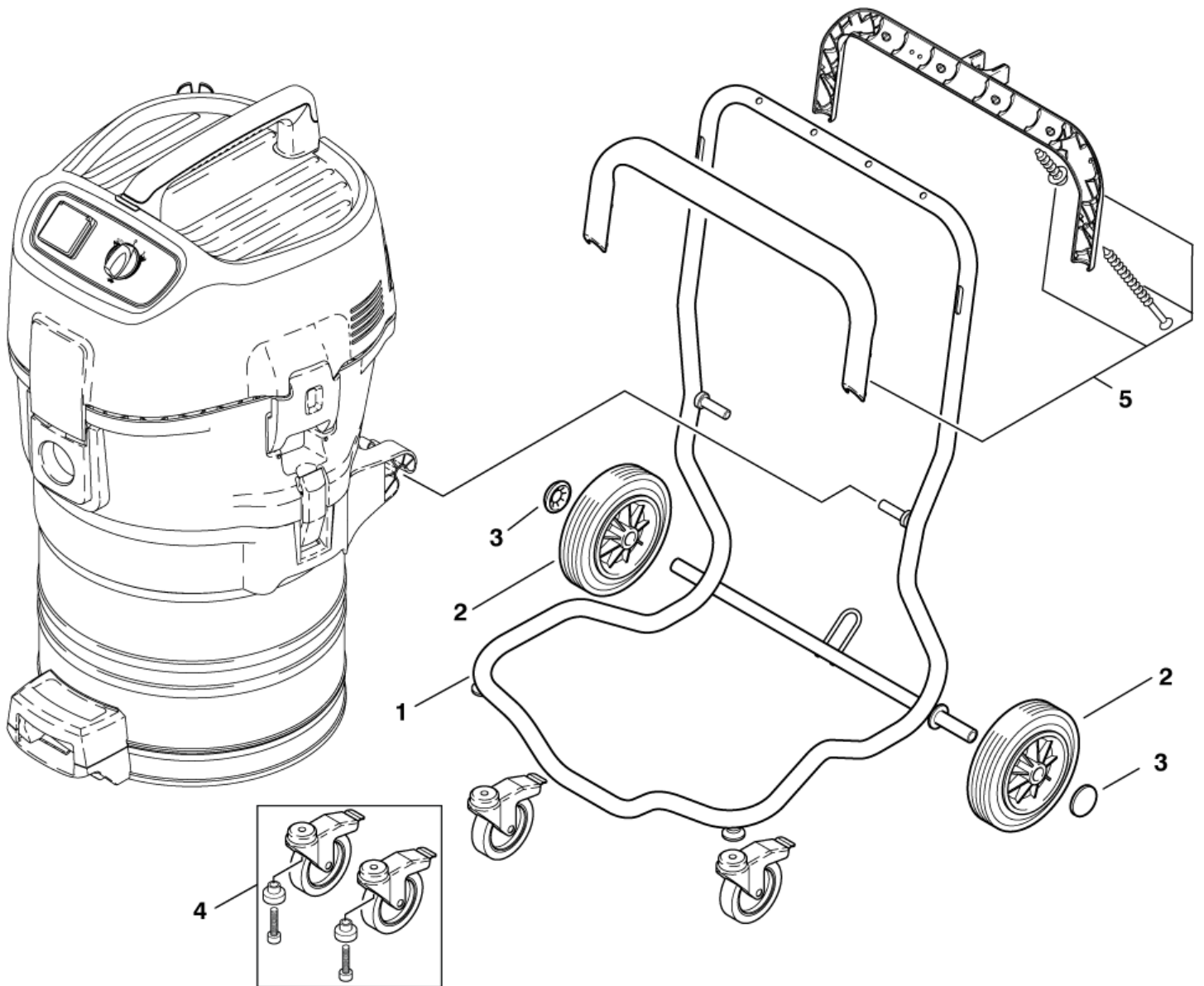
# Frame 751-01, -11, -21, -61, 19 GALLON, 19 GAL

ATTIX 7

06-03-2012

Part List ID  
ATTIX55020

35



# Frame 751-01, -11, -21, -61, 19 GALLON, 19 GAL

ATTIX 7

06-03-2012

Part List ID  
ATTIX55020

36

Pos	Part no.	Qty	Description	EAN
1	302001437	1	FRAME BLACK	4005337056
2	107401077	2	WHEEL	7319519676
3	3750	2	WHEEL CAP	4005337037
4	107401054	2	CASTOR TURNABLE WITH BRAKE KIT	7319519676
5	302001706	1	Handle set-1, upper and l	4005337072

# Frame 751-71

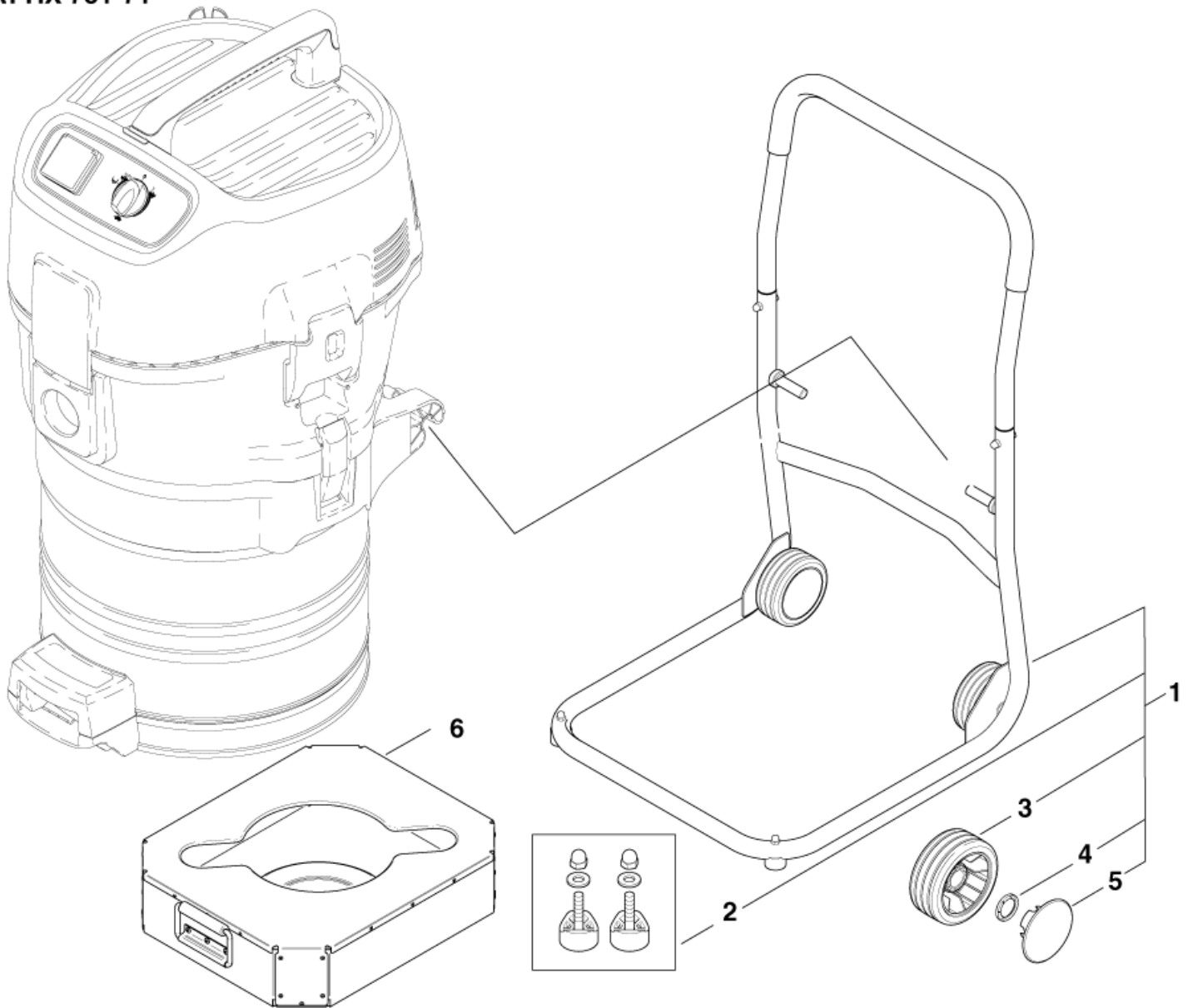
ATTIX 7

06-03-2012

Part List ID  
ATTIX55022

37

## ATTIX 751-71



# Frame 751-71

ATTIX 7

06-03-2012

Part List ID  
ATTIX55022

38

Pos	Part no.	Qty	Description	EAN
1	302001472	1	BASE FRAME ATTIX 7	4005337059
2	302001705	1	SUSTAINER Ø 26X17 SET2	4005337072
3	302000465	2	WHEEL	4005337682
4	47302	2	RING	4005337473
5	25710	2	HUB CAP 075 L JET	4005337257
6	302001554	1	BOX FOR SUCTION HOSE ATTIX 7	4005337068

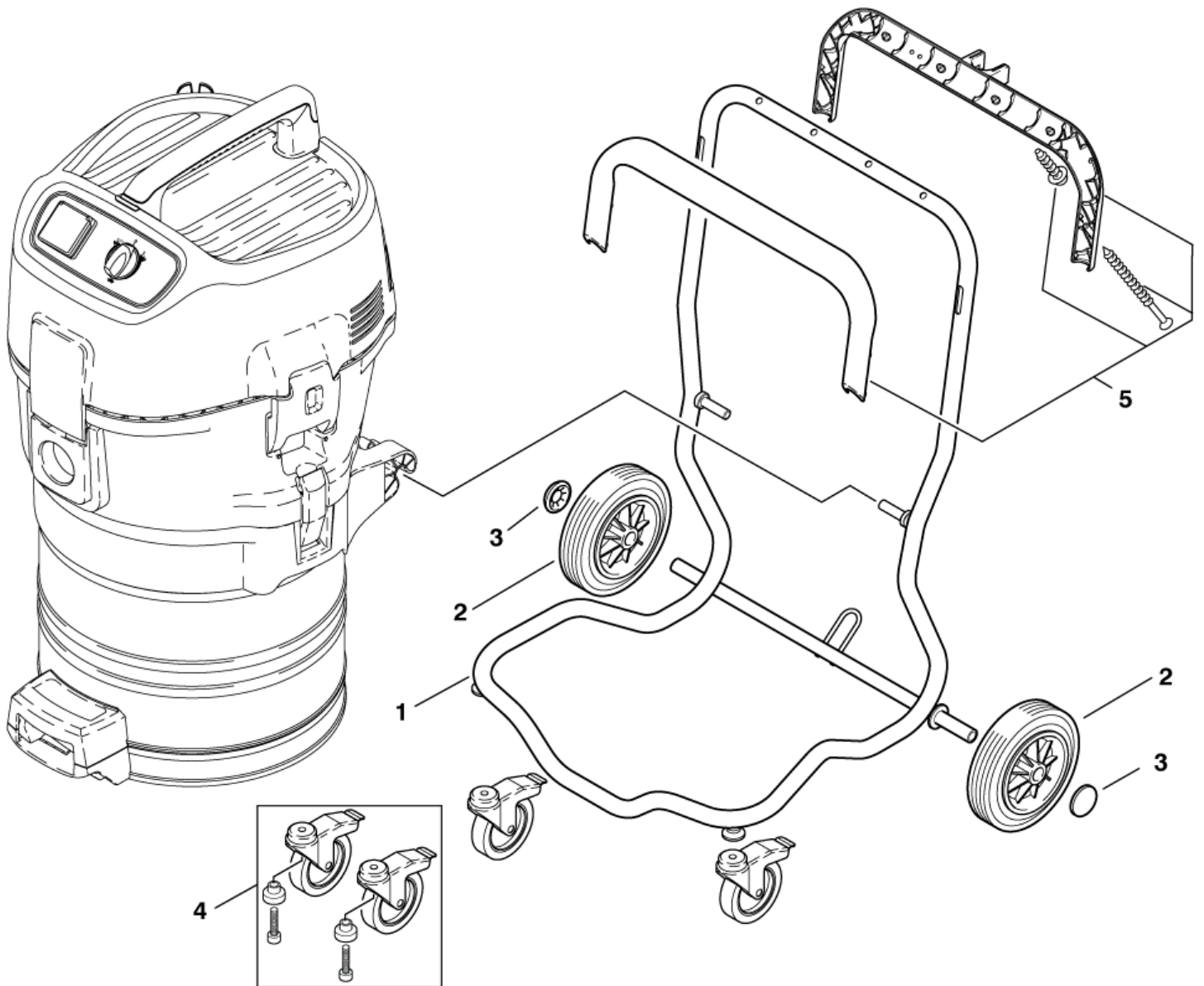
# Frame 761-21, 19 GALLON AS/PE

ATTIX 7

06-03-2012

Part List ID  
ATTIX56014

39



# Frame 761-21, 19 GALLON AS/PE

ATTIX 7

06-03-2012

Part List ID  
ATTIX56014

40

Pos	Part no.	Qty	Description	EAN
1	302001437	1	FRAME BLACK	4005337056
2	107401077	2	WHEEL	7319519676
3	3750	2	WHEEL CAP	4005337037
4	107401054	2	CASTOR TURNABLE WITH BRAKE KIT	7319519676
5	302001706	1	Handle set-1, upper and l	4005337072



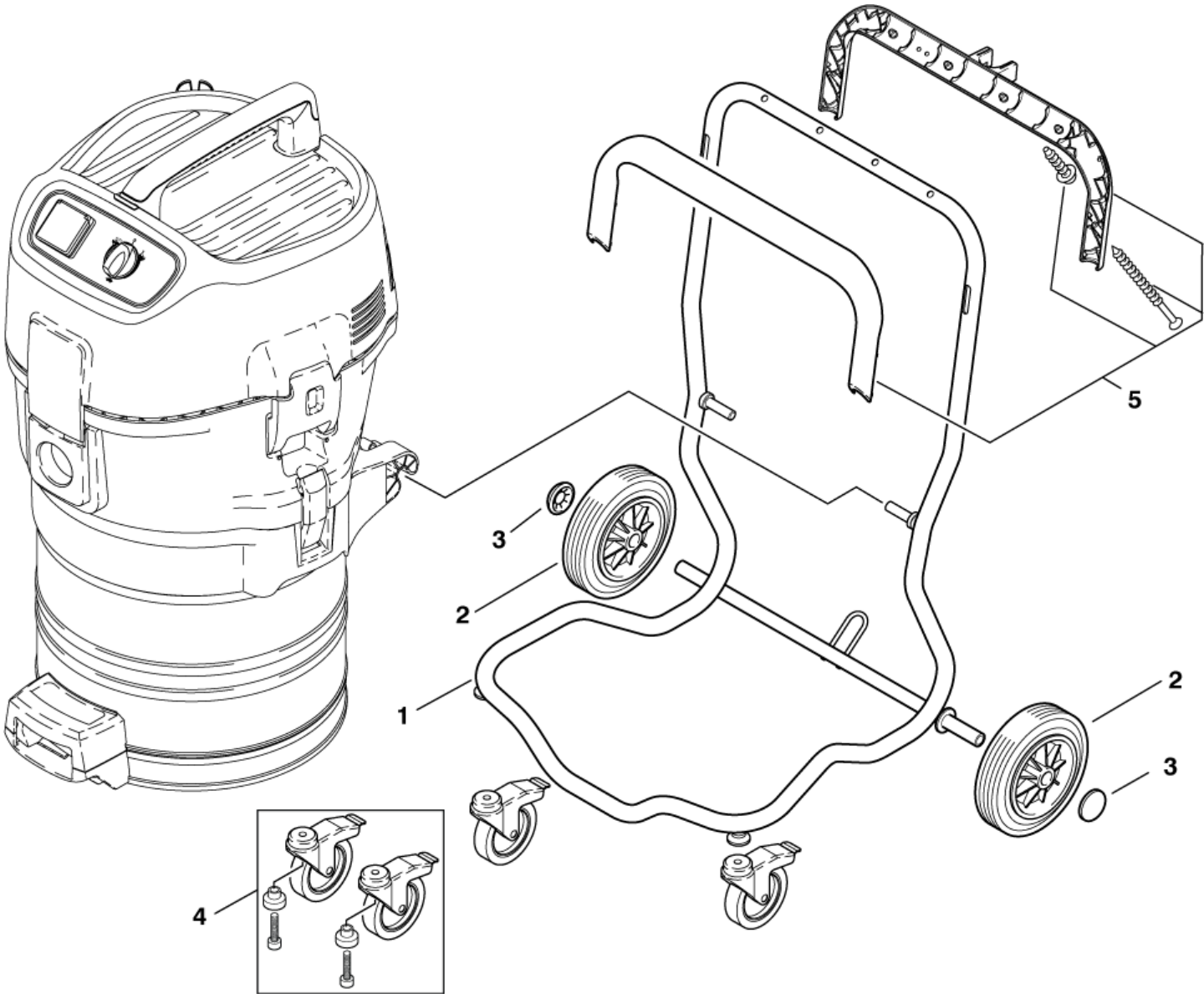
# Frame 791-21

ATTIX 7

06-03-2012

Part List ID  
ATTIX59016

41



# Frame 791-21

ATTIX 7

06-03-2012

Part List ID  
ATTIX59016

42

Pos	Part no.	Qty	Description	EAN
1	302001437	1	FRAME BLACK	4005337056
2	107401077	2	WHEEL	7319519676
3	3750	2	WHEEL CAP	4005337037
4	107401054	2	CASTOR TURNABLE WITH BRAKE KIT	7319519676
5	302001706	1	Handle set-1, upper and l	4005337072

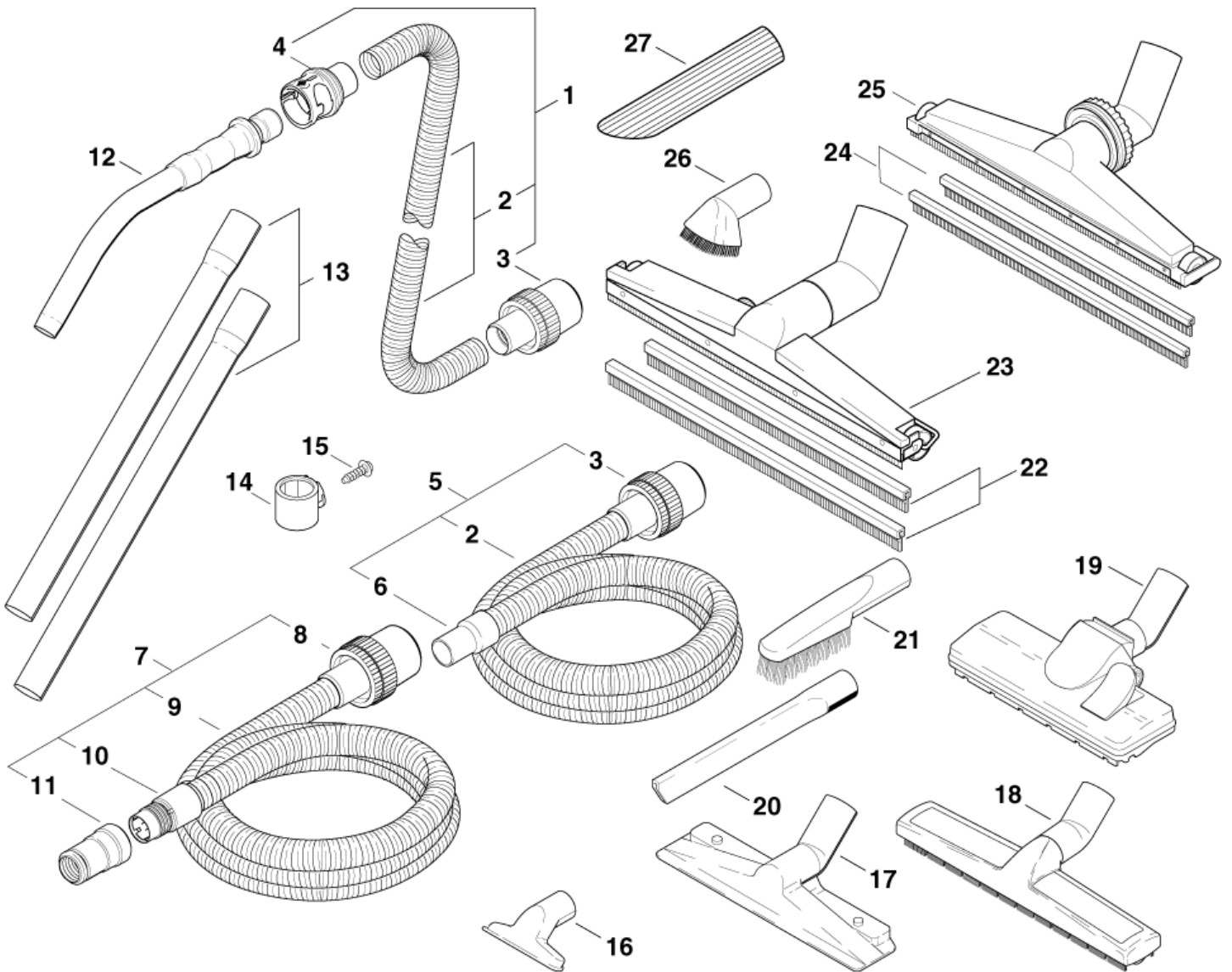
# Accessories 550, 751

ATTIX 7

06-03-2012

Part List ID  
ATTIX55024

43



# Accessories 550, 751

ATTIX 7

06-03-2012

Part List ID  
ATTIX55024

44

Pos	Part no.	Qty	Description	EAN
1	25537	1	SUCTION HOSE. DIAM. 36 MM -4m-	4005337255
1	302001677	1	HOSE ?36X3500 HEAT/OIL-	751-71 4005337070
1	46948	1	SUCTION HOSE DN 36MM LT 3 M UNIVERSAL	4005337469
2	11985	1	SUCTION HOSE PER METRE 36 MM HO	4005337119
2	6429	1	EXT. PER M DN 36MM	751-71 4005337064
3	15102	1	HOSE SLEEVE - FITS HOSE 3 6MM	4005337151
4	302001345	1	COUPLING CONNECTOR 36MM	4005337045
5	15805	1	SUCTION HOSE DN 36MM LT.3 M	4005337158
6	11597	1	HOSE SLEEVE VACUUM SIDE	4005337115
7	15325	1	SUCTION HOSE DN 27MM LT 3 .5M ANSTISTATIC W/TOOL	4005337153
8	15369	1	ROTARY COUPLINGS	4005337153
9	15326	1	ANTI STATIC 27MM HOSE PER METR	4005337153
10	63509	1	HOSE SLEEVE	4005337635
11	107404520	1	TOOL ADPATER D27/36-24 AS	7319519685
12	302000528	1	CHROME CURVED HAND TUBE D N 36	4005337683
12	46691	1	CURVED HAND TUBE S/S	4005337466
13	15546	1	EXT TUBE 2X500MM STNLESS 36	4005337155
13	302000529	1	EXTN TUBE ?36 2X500MM CR	4005337021
14	26821	1	ACCESSORY HOLDER	4005337268
14	28546	1	STRAP FOR NOZZLE	12GALL.RDF 4005337285
15	12400	1	SCREW 3.5X13	4005337124
16	14295	1	UNIVERSAL NOZZLE PLASTIC	4005337142
17	5147	1	GROUND NOZZLE.ALUMINIUM 3 30MM	4005337051
18	302000521	1	FLOOR NOZZLE	4005337683
18	60356	1	PROF.FLOOR NOZZLE. PLASTIC. 360 MM WET AND DRY	4005337603
19	302000477	1	COMBINATION FLOOR NOZZLE PLASTIC 260MM	4005337682
20	6084	1	CREVICE TOOL PLASTIC 290MM	4005337060
21	6086	1	BRUSH NOZZLE PVC	4005337060
22	15352	1	SPARE RUBBER LIPS (PAIR)	751-71 4005337153
23	15349	1	GROUND NOZZLE LARGE AREAS	751-71 4005337153
24	6114	1	RUBBER LIPS FOR 5149 FLOOR TOOL	4005337061
25	5149	1	SPECIAL GROUND NOZZLE. PLASTIC	4005337051
26	5146	1	SUCTION BRUSH PLASTIC -NY LON	4005337051
27	5067	1	DIAGONAL TUBE NOZZLE RUBBER	4005337050

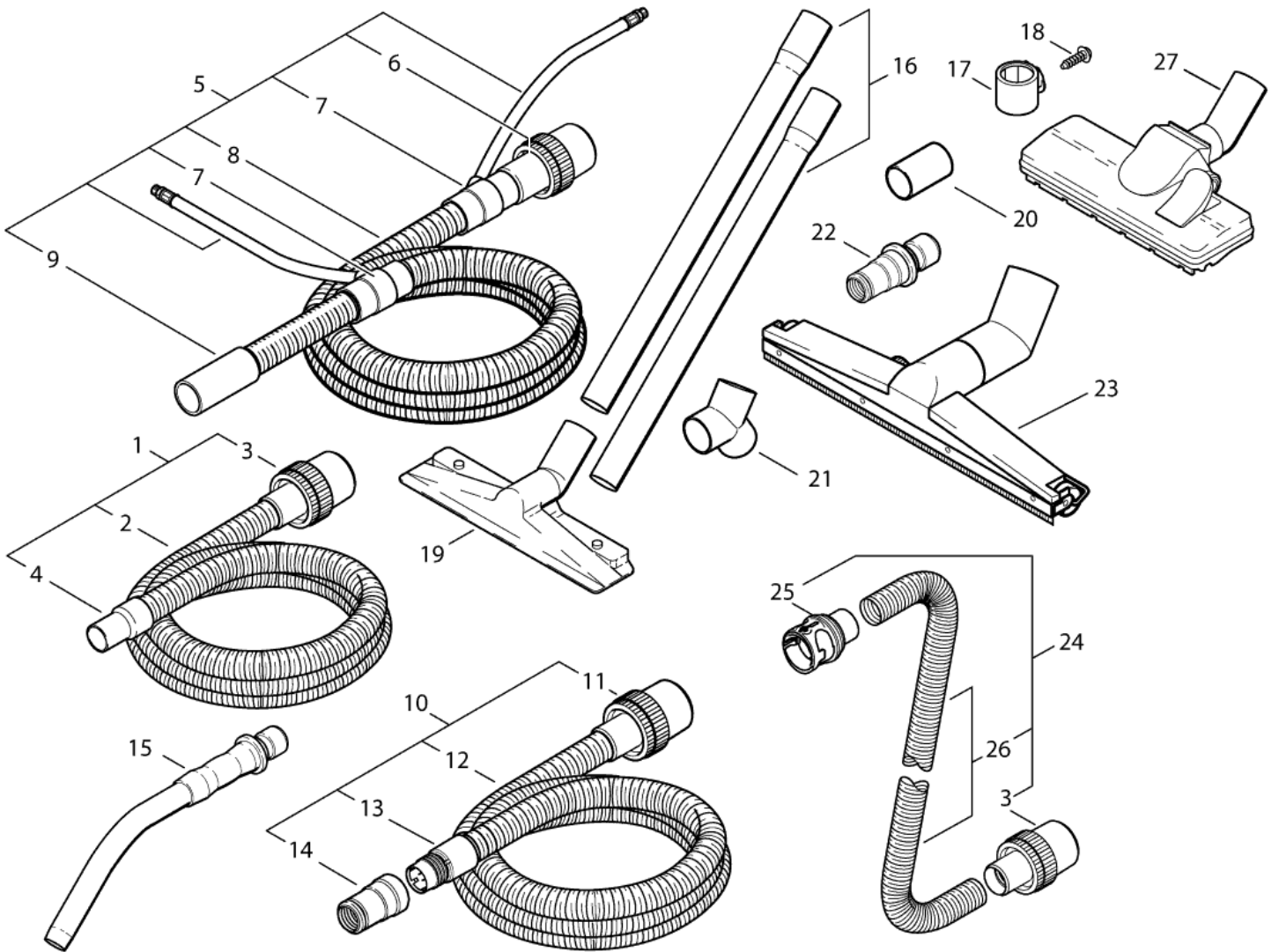
# Accessories 560, 761, 763

ATTIX 7

06-03-2012

Part List ID  
ATTIX56016

45



# Accessories 560, 761, 763

ATTIX 7

06-03-2012

Part List ID  
ATTIX56016

46

Pos	Part no.	Qty	Description	EAN
0	302000477	1	COMBINATION FLOOR NOZZLE PLASTIC 260MM	4005337682
1	15805	1	SUCTION HOSE DN 36MM LT.3 M	4005337158
2	11985	1	SUCTION HOSE PER METRE 36 MM HO * SEE NOTE	4005337119
3	15102	1	HOSE SLEEVE - FITS HOSE 3 6MM	4005337151
4	11597	1	HOSE SLEEVE VACUUM SIDE	4005337115
5	26601	1	COAXIAL SUCTION HOSE	4005337266
6	30928	1	FOR SUCTION HOSE. DIA. 32 MM	4005337309
7	26309	1	HOSE SLEEVE DN32	4005337263
8	43502	1	HOSDE PER METRE 32MM * SEE NOTE	4005337435
9	60033	1	HOSE SLEVE 5304-1 DN32	4005337600
10	15325	1	SUCTION HOSE DN 27MM LT 3 .5M ANSTISTATIC W/TOOL	4005337153
11	15369	1	ROTARY COUPLINGS	4005337153
12	15326	1	ANTI STATIC 27MM HOSE PER METR * SEE NOTE	4005337153
13	63509	1	HOSE SLEEVE	4005337635
14	107404520	1	TOOL ADPATER D27/36-24 AS	7319519685
15	302000528	1	CHROME CURVED HAND TUBE D N 36	4005337683
15	46691	1	CURVED HAND TUBE S/S	4005337466
16	15546	1	EXT TUBE 2X500MM STNLESS 36	4005337155
16	302000529	1	EXTN TUBE ?36 2X500MM CR	4005337021
17	28546	1	STRAP FOR NOZZLE	4005337285
18	12400	1	SCREW 3.5X13	4005337124
19	5147	1	GROUND NOZZLE.ALUMINIUM 3 30MM	4005337051
20	15953	1	DIRECT ATTACHM.PIECE ANTI STATC	4005337159
21	15331	1	STAR DISTRIB.PLASTIC ANTI STATC	4005337153
22	302000535	1	TOOL SOCKET Ø27	4005337683
23	15348	1	GROUND NOZZLE FOR LARGE A REAS	4005337153
24	302001682	1	HOSE AS36MMX5M W/TOOL ADAPTER	4005337070
25	302001345	1	COUPLING CONNECTOR 36MM	4005337045
26	15312	1	EXTENSION HOSE - PER METR E * SEE NOTE	4005337153
27	302000477	1	COMBINATION FLOOR NOZZLE PLASTIC 260MM	4005337682

\* NOTE: PLEASE INDICATE LENGTHS IN METRES WHEN ORDERING

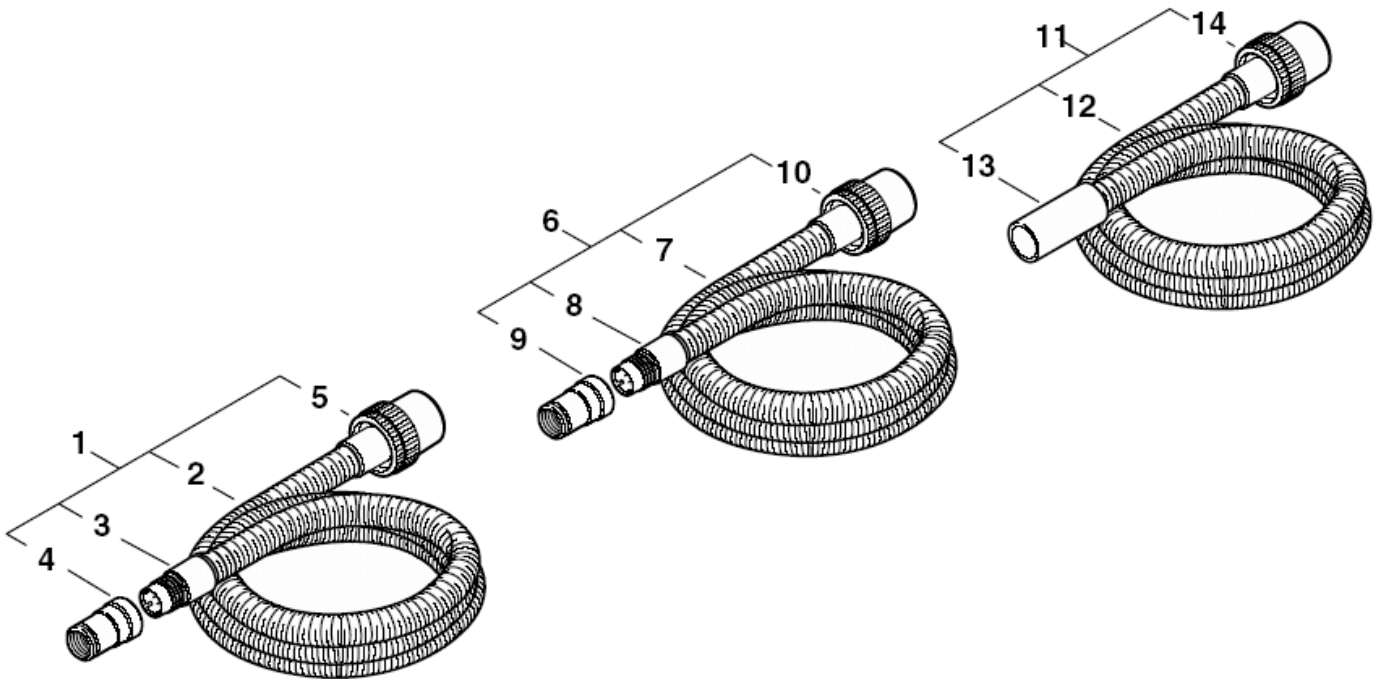
# Accessories 590, 791

ATTIX 7

06-03-2012

Part List ID  
ATTIX59020

47



# Accessories 590, 791

ATTIX 7

06-03-2012

Part List ID  
ATTIX59020

48

Pos	Part no.	Qty	Description		EAN
1	15325	1	SUCTION HOSE DN 27MM LT 3 .5M ANSTISTATIC W/TOOL		4005337153
2	15326	1	ANTI STATIC 27MM HOSE PER METR	590-21, 791-21	4005337153
3	63509	1	HOSE SLEEVE	590-21, 791-21	4005337635
4	107404520	1	TOOL ADPATER D27/36-24 AS	590-21, 791-21	7319519685
5	15369	1	ROTARY COUPLINGS	590-21, 791-21	4005337153
6	48132	1	SUCTION HOSE ANTISTATIC 27mm x 3.5m TYPE 22	M/B1	4005337481
7	15326	1	ANTI STATIC 27MM HOSE PER METR	791-2M/B1	4005337153
8	63509	1	HOSE SLEEVE	791-2M/B1	4005337635
9	107404521	1	TOOL ADAPTER D27/36-24 TYPE 22	791-2M/B1	7319519685
10	48068	1	SLEEVE	791-2M/B1	4005337480
11	302000693	1	SUCTION HOSE 36MM	EC 12 GALLON AS/E	4005337690
12	43502	1	HOSDE PER METRE 32MM	EC 12 GALLON AS/E	4005337435
13	14682	1	CONNECTING SLEEVE WAS 616 2	EC 12 GALLON AS/E	4005337146
14	30928	1	FOR SUCTION HOSE. DIA. 32 MM	EC 12 GALLON AS/E	4005337309



# RECOMMENDED SPARE PARTS

ATTIX 7

06-03-2012

Part List ID

ATTIX7002

49

No Drawing For Part List

# RECOMMENDED SPARE PARTS

ATTIX 7

06-03-2012

Part List ID  
ATTIX7002

50

Pos	Part no.	Qty	Description		EAN
1	107400145	1	Ground connector-attix 7		4005337151
1	107400257	1	ADAPTERRING ATTIX 7 KIT		4005337152
1	107400267	1	CORD H05RR-F 3G1.0 CH	CH 751-61	4005337153
1	107400271	1	CORD H07BQ-F 3G2.5 GB	GB,110V 751-11/21, 761-21	4005337153
1	107400574	1	CORD H05BQ-F 3G1.0 CEE GB 110	GB 751-01	7319519672
1	107400579	1	PIEZO BUZZER		7319519672
1	107401054	1	CASTOR TURNABLE WITH BRAKE KIT		7319519676
1	107401077	1	WHEEL		7319519676
1	107402618	1	PIPE COUPLING KIT		7319519682
1	107402619	1	SCREENING FILTER KIT	590-21, 791-21, 791-2M/B1EUGB,230V	7319519682
1	107402635	1	ELECTROMAGNET 24 V KIT	FOR 220-240V	7319519682
1	107402638	1	PLATE CHUCK ATTIX 550 PP KIT	590-21, EC 12GALLON AS/E, 791-21	7319519682
1	107402639	1	PLATE CHUCK ATTIX 560 PP KIT		7319519682
1	107402641	1	POWER CORD H05RR-F 3G1.5X8X2	EU 751-61, 791-21	7319519682
1	107402646	1	FILTER SUPPORT CAGE ATTIX PP		7319519682
1	107402651	1	TENSION JACK		7319519682
1	107402653	1	FILTER SURFACE PLATE		7319519682
1	107402655	1	TEMPERATURE SENSOR KIT	751-71	7319519682
1	107402842	1	OUTLET 2P AND PE 16A 110V	GB,110V 751-11/21	7319519683
1	11379	1	HOSE DN 3 X 1.5	SEE NOTE*	4005337113
1	11753	1	FILTER ELEMENT XL/SQ550/A ERO	ZA	4005337117
1	11832	1	SOCKET		4005337118
1	11985	1	SUCTION HOSE PER METRE 36 MM HO		4005337119
1	14808	1	AIR SOCKET-FEMALE	560-31XC	4005337148
1	14809	1	AIR SOCKET-MALE	560-31XC	4005337148
1	15325	1	SUCTION HOSE DN 27MM LT 3 .5M ANSTISTATIC W/TOOL		4005337153
1	15348	1	GROUND NOZZLE FOR LARGE AREAS		4005337153
1	15349	1	GROUND NOZZLE LARGE AREAS	751-71	4005337153
1	15352	1	SPARE RUBBER LIPS (PAIR)	751-71	4005337153
1	15475	1	FILTER STRAINER WATER ONLY		4005337154
1	15546	1	EXT TUBE 2X500MM STNLESS 36		4005337155
1	15805	1	SUCTION HOSE DN 36MM LT.3 M		4005337158
1	19880	1	FIXING CLAMP WAS 11370\19 881		4005337198
1	26601	1	COAXIAL SUCTION HOSE		4005337266
1	26774	1	CARBON BRUSHES ( PAIR OF )	FOR IDENTIF. LETTER M	4005337267
1	26775	1	CARBON BRUSHES	FOR IDENTIF. LETTER L	4005337267
1	26783	1	MOTOR 100V 1200W	100V/1200W 751-71	4005337267
1	26784	1	ELECTRIC MOTOR 110 -120	110-120V/1200W 751-71	4005337267
1	26785	1	MOTOR -110V - TURBO VACUUM-WAS	120V/1000W 751-71	4005337267
1	28875	1	RING	FOR IDENTIF.LETTERL+M	4005337288
1	29205	1	SEAL	FOR IDENTIF. LETTER L+M	4005337292
1	302000217	1	Electromagnet 12V	FOR 100-120V	4005337673

\* NOTE: PLEASE INDICATE LENGTHS IN METRES WHEN ORDERING

# RECOMMENDED SPARE PARTS

ATTIX 7

06-03-2012

Part List ID  
ATTIX7002

51

Pos	Part no.	Qty	Description		EAN
1	302000297	1	PUMP 230/50	230V/50HZ	4005337674
1	302000307	1	PUMP SUBM. 115/60 650WC G5/4/	115V/60HZ	4005337674
1	302000345	1	FILTER SUPPORT CAGE		4005337674
1	302000349	1	LOCKING CLAMP		4005337674
1	302000372	1	SUPPORTING PLATE ATTIX 5	751-71	4005337674
1	302000373	1	AIR DUCT ATTIX 5		4005337674
1	302000385	1	FILTER SUPPORT CAGE 216X 93x177		4005337020
1	302000386	1	COVER 211x151x118		4005337021
1	302000387	1	FLAP 158x64x68		4005337020
1	302000428	1	FLOW SENSOR		4005337680
1	302000430	1	POWER CORD	EU 751-01	4005337680
1	302000432	1	POWER CORD H05RR-F 3G0.75X8.2M SNV -CH	CH 751-01	4005337680
1	302000433	1	POWER CORD H05RR-F 3G0.75X8.2 DK	DK 751-01	4005337680
1	302000434	1	POWER CORD H05RR-F 3G0.7	AU 751-01	4005337681
1	302000435	1	POWER CORD SJTW-A AWG18/3X8.2M NEMA -US	S 751-01	4005337681
1	302000440	1	POWER CORD H05RR-F 3G1.0X8.4M	DK 751-61	4005337681
1	302000460	1	GASKET FOR FILTER	751-71	4005337136
1	302000465	1	WHEEL		4005337682
1	302000477	1	COMBINATION FLOOR NOZZLE PLASTIC 260MM		4005337682
1	302000490	1	FILTER ELEMENT		4005337682
1	302000511	1	BASE		4005337021
1	302000512	1	FIXATION 72X32X52		4005337020
1	302000514	1	GASKET		4005337023
1	302000528	1	CHROME CURVED HAND TUBE D N 36		4005337683
1	302000529	1	EXTN TUBE ?36 2X500MM CR		4005337021
1	302000627	1	110V ELECTRONIC WITH SPEED	100-120V, 12GALL.RDF 751-11 -21	4005337687
1	302000628	1	ELECTRONIC W SPEED	220-240V, 550-21, 751-21, 751-11	4005337687
1	302000637	1	GASKET FOR CONTAINER	751-71	4005337687
1	302000683	1	SOCKET 10A/250V DK	DK 751-11/21, 761-21	4005337690
1	302000685	1	POWER CORD H05RR-F3G0.75X8.4 S	ZA 751-01	4005337690
1	302000693	1	SUCTION HOSE 36MM	EC 12 GALLON AS/E	4005337690
1	302000697	1	GASKET FILTER		4005337690
1	302000751	1	FILTER ELEMENT 1275X182 K it		4005337020
1	302000752	1	POWER CORD	GB,230V 751-01/11/21, 761-21	4005337021
1	302000756	1	SWITCH BOX	550-1, 12 GALLON, 751-01	4005337020
1	302000823	1	CONTACT SPRING	GB,230V	4005337025
1	302000825	1	ELECTRONICS	100-120V, 751-11GB,110/50, 19GALL.	4005337026
1	302000826	1	ELECTRONIC SOFTSTART	220-240V, 751-11 -21 19 GALL.	4005337026
1	302000833	1	ELECTRONIC EC 230V SET-1	590-21, 791-21, 791-2M/B1EUGB,230V	4005337035
1	302000852	1	ELECTRONICS SET 120V	100-120V 761-21	4005337028
1	302000853	1	ELECTRONICS 230V SET	220-240V 761-21	4005337028
1	302001185	1	SOCKET 10A/250V AU	AU	4005337041

\* NOTE: PLEASE INDICATE LENGTHS IN METRES WHEN ORDERING

# RECOMMENDED SPARE PARTS

ATTIX 7

06-03-2012

Part List ID  
ATTIX7002

52

Pos	Part no.	Qty	Description		EAN
1	302001363	1	HOLDER 155X55X35		4005337045
1	302001425	1	ELECTRONIC EA.W.SPEED EC	590-21, 791-21	4005337054
1	302001430	1	ELECTRONIC EC 110V SET-1	EC 12GALLON AS/E, 791-2M/B1GB,110V	4005337055
1	302001432	1	GASKET CONTAINER		4005337067
1	302001434	1	CHIP BASKET CHIP BASKET		4005337056
1	302001441	1	INTERLOCK CONTAINER ATTIX		4005337059
1	302001482	1	COUPLING		4005337061
1	302001546	1	GASKET	791-21, 791-2M/B1	4005337068
1	302001552	1	SEAL CLAMP		4005337063
1	302001553	1	SEAL CLAMP		4005337063
1	302001580	1	POWER CORD H07RN-F 3G1.5X10.7	751-71	4005337067
1	302001605	1	HANDLE W/ TAPE		4005337068
1	302001641	1	ADAPTER BASE PLATE/FILTER	751-01, 751-11, 751-21, 19GALL., 791-21, 791-2M/B1	4005337069
1	302001678	1	AIR MANIFOLD ASSY. SET	19GALLON AS/PE2	4005337070
1	302001682	1	HOSE AS36MMX5M W/TOOL ADAPTER		4005337070
1	302001704	1	BELT CONTAINER Ø480 SET		4005337072
1	302001708	1	POWER CORD SJTW-A AWG	751-71 19GALLON AE	4005337072
1	302001711	1	ELECTRONIC 100-120V SET1	100-120V 751-61-71	4005337072
1	302001712	1	ELECTRONIC 220-240V SET1	220-240V 751-61-71	4005337072
1	302004034	1	SOCKET 16A/250V EU	EU -590-21, 751-11/21, 761-71, 791-21	4005337147
1	302004332	1	POWER CORD US	US 751-11/21	7319519675
1	302004333	1	POWER CORD AU	AU	7319519675
1	302004336	1	SOCKET 13A/250V	GB,230V 751-11/21, 761-21	7319519675
1	302004337	1	SOCKET 10A/250V CH	CH 751-11/21 761-21	7319519675
1	302004338	1	SOCKET 15A/125V US/CSA	US 751-11/21 761-21	7319519675
1	3750	1	WHEEL CAP		4005337037
1	42538	1	MOTOR BEARING RING SET	FOR IDENTIF. LETTER C	4005337425
1	47035	1	COLLAR 55 SHORE A EPDM	19GALL.AE	4005337470
1	47036	1	SEALS WAS 11225		4005337470
1	47302	1	RING		4005337473
1	47364	1	PACKING RING		4005337473
1	48132	1	SUCTION HOSE ANTISTATIC 27mm x 3.5m TYPE 22	M/B1	4005337481
1	48333	1	FUSE 10A	590-21, 791-21, 791-2M/B1EUGB,230V	4005337483
1	49594	1	MOTOR 220V WAS 30756(SQ 4 50.55	220-240V/1200W 751-71	7319519675
1	49625	1	CARBON BRUSHES-PAIR	FOR IDENTIF. LETTER C	4005337496
1	5149	1	SPECIAL GROUND NOZZLE.PLA STIC		4005337051
1	60561	1	SUCTION MOTOR EC	590-21, 791-21,, 791-2M/B1EUGB,230V	4005337605
1	60877	1	BRACKET		4005337608
1	60901	1	Gasket ?42x58x3		4005337609
1	6114	1	RUBBER LIPS FOR 5149 FLOOR TOOL		4005337061
1	61167	1	MOTOR BEARING RING SET	FOR IDENTIF. LETTER C	4005337611
1	61174	1	EARTHING CABLE		4005337611

\* NOTE: PLEASE INDICATE LENGTHS IN METRES WHEN ORDERING

# RECOMMENDED SPARE PARTS

ATTIX 7

06-03-2012

Part List ID  
ATTIX7002

53

Pos	Part no.	Qty	Description	EAN
1	62359	1	GASKET 9X4X1	4005337623
1	6429	1	EXT. PER M DN 36MM	751-71 4005337064
1	64937	1	INTERF. SUPPRESSION FILTE	EC 12GALLON AS/E, 791-2M/B1GB,110V 4005337649
1	65058	1	FINE-WIRE FUSE	EC 12GALLON AS/E, 791-2M/B1GB,110V 4005337650
1	7729	1	GEKA COUPLING 1in	4005337077
1	909100204	1	ROTARY KNOB	751-61-71 4005337689

\* NOTE: PLEASE INDICATE LENGTHS IN METRES WHEN ORDERING