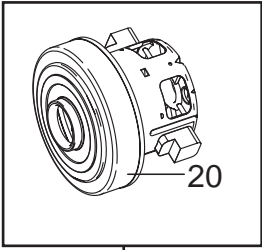
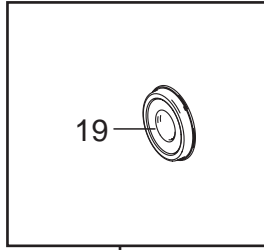
**DESCRIPTION****PLAN**

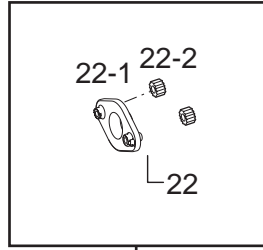
Motors, internal PCB and cord	A - 5.9.3 - 2
Container upper parts	A - 5.9.3 - 4
Container parts	A - 5.9.3 - 6
Nozzles, tubes, hoses and dust bag	A - 5.9.3 - 8



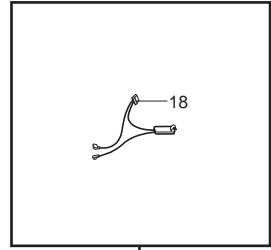
1



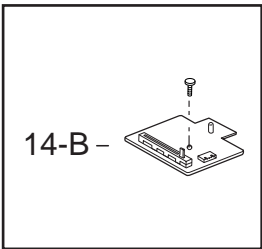
2



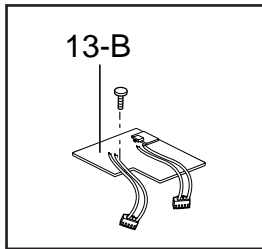
3



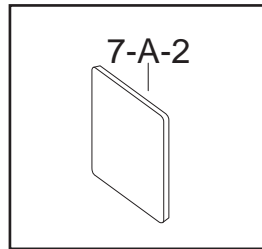
4



5

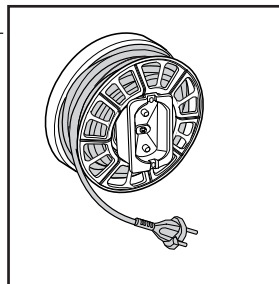



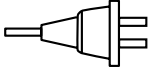
6



7

10



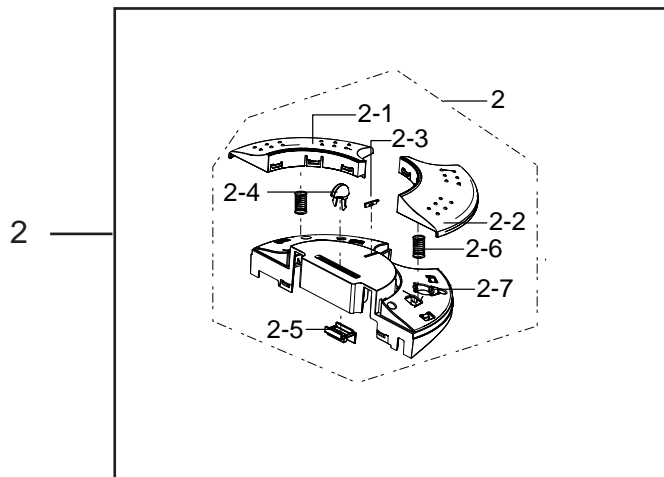
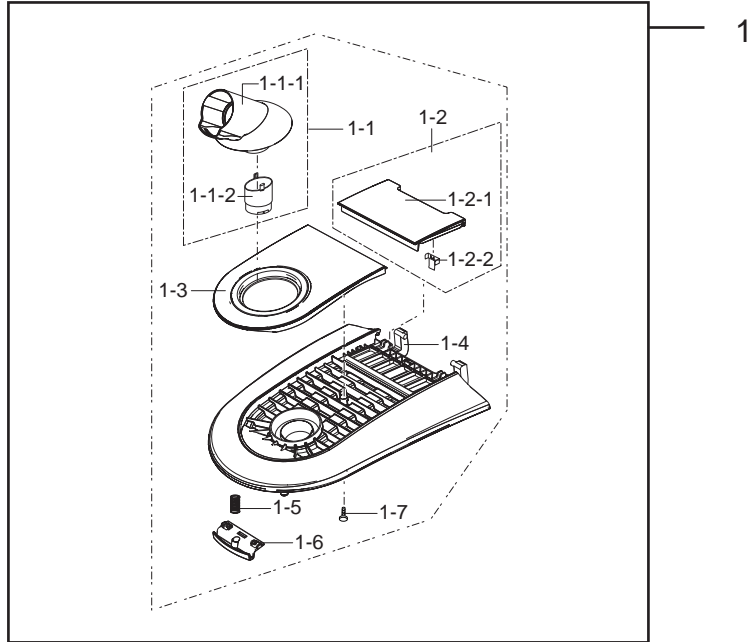
Voltage		Plug type	
AUS/NZ	250		

04-02	GM 160 ASTRAL SHUTTLE / GM 170 ASTRAL COMET	BOOK A		
04-05	MOTOR AND CORD TYPES	A	5.9.3	3

Item	Ref. No.	Qty.	Description	Note	EAN code 5715492+
1	80535105	1	MOTOR 240V/50HZ,GM160/170		+029976
2	80536800	1	HEPA 12 FILTER - ASTRAL		+030170
3	80537000	1	MOUNTING PLATE MOTOR CPL.		+030194
4	80537100	1	INTERNAL WIRES - ASTRAL		+030200
5	80536100	1	PCB DISPLAY - ASTRAL		+030095
6	80536000	1	PCB - MAIN ASTRAL		+030088
7	80537200	1	MOTOR PROTECTION FILTER		+030217
10	80535205	1	CORD REEL AUS/NZ - 7M		+029983

Note

>> means: New or changed ref. nos.

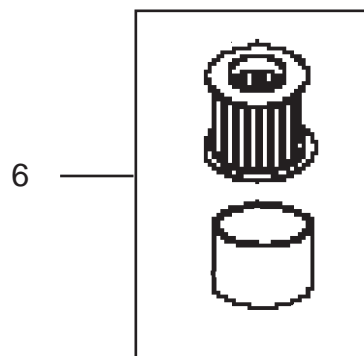
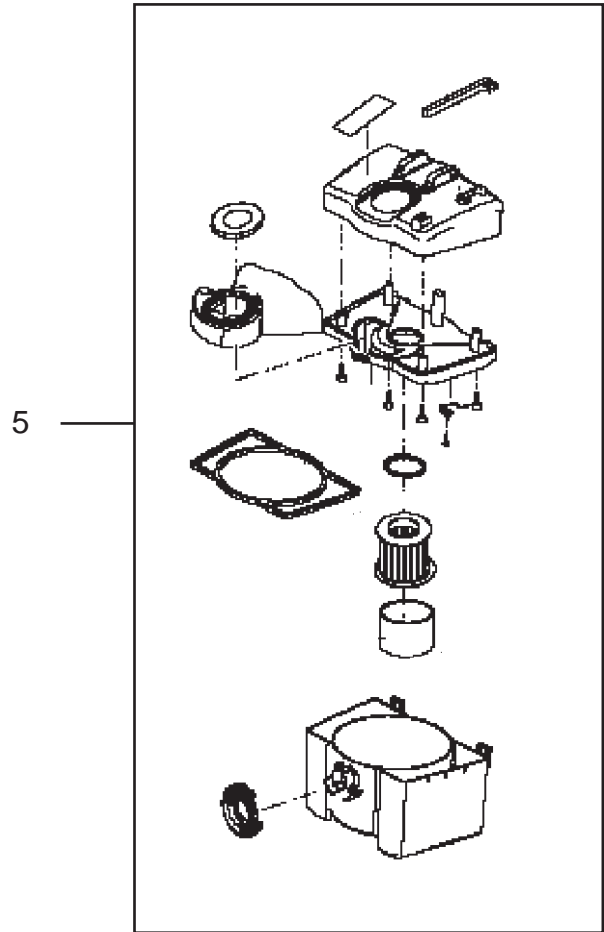
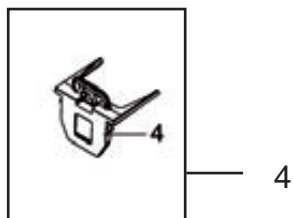
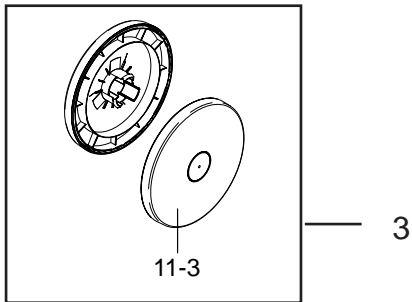
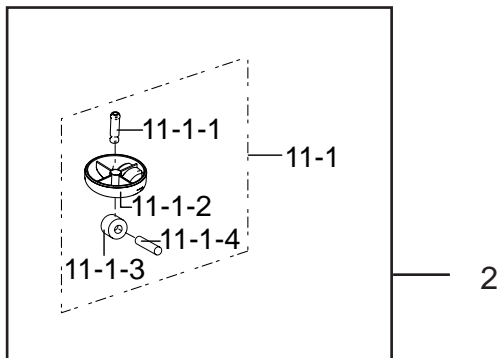
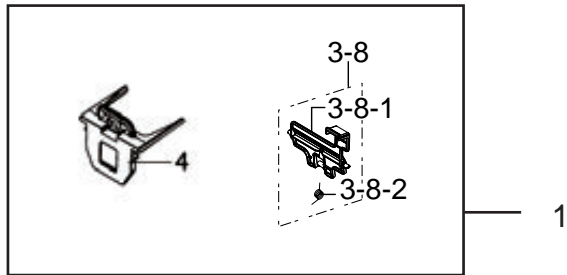


04-02	GM 160 ASTRAL SHUTTLE / GM 170 ASTRAL COMET	BOOK A		
04-05	CONTAINER UPPER PARTS	A	5.9.3	5

Item Ref. No.	Qty.	Description	Note	EAN
				005715492+
1	80535300	1	DUST COMP.CPL.RED-ASTRAL	+030002
1	80535301	1	DUST COMP.CPL.BLUE ASTRAL	+029990
2	80535400	1	PANEL PART- RED- ASTRAL	+030026
2	80535401	1	PANEL PART- BLUE- ASTRAL	+030019

Note

>> means: New or changed ref. nos.

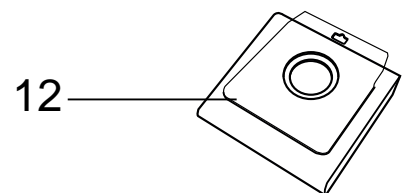
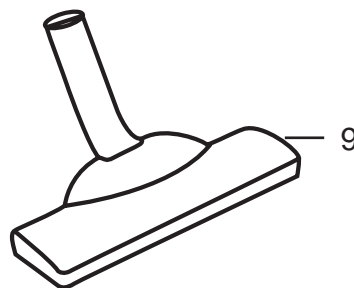
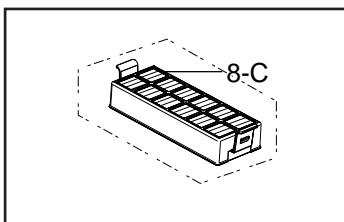
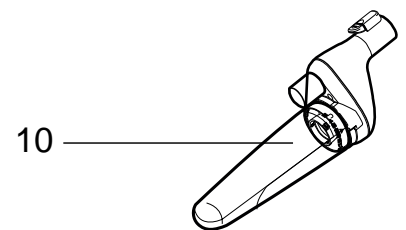
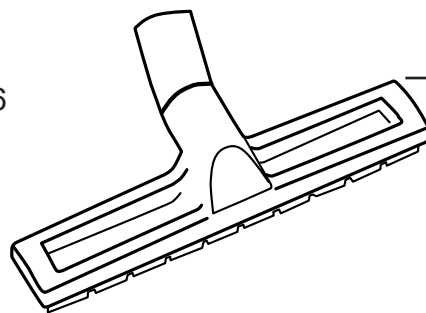
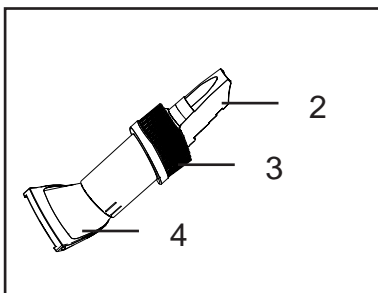
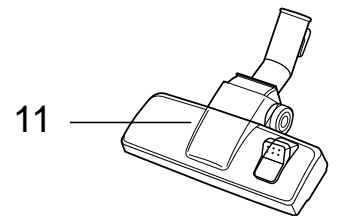
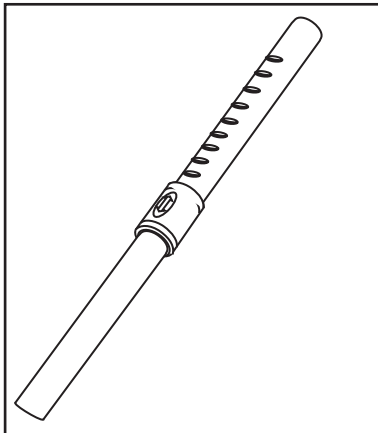
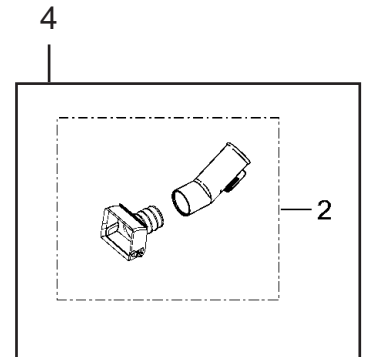
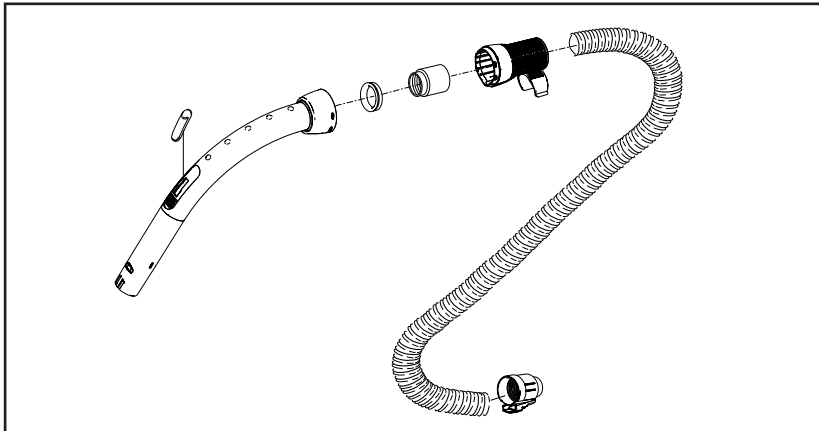


04-05	GM 160 ASTRAL SHUTTLE / GM 170 ASTRAL COMET	BOOK A		
06-08	CONTAINER PARTS	A	5.9.3	7

Item	Ref. No.	Qty.	Description	Note	EAN code 5715492+
1	80536600	1	BAG HOLDER - ASTRAL		+030156
2	80536400	1	FRONT WHEEL - ASTRAL		+030125
3	80536500	1	BACK WHEEL 2PCS BLACK AST		+030149
4	80536700	1	NO BAG-PROTECTOR - ASTRAL		+030163
>> 5	12422700	1	Bagless unit - Astral		+032709
>> 6	12422701	1	Filter for Bagless unit		+035748

Note

>> means: New or changed ref. nos.



04-06	GM 160 ASTRAL SHUTTLE / GM 170 ASTRAL COMET	BOOK A		
06-10	NOZZLES, TUBES, HOSES AND DUST BAGS	A	5.9.3	9

Item	Ref. No.	Qty.	Description	Note	EAN code 5715492+
1	80535500	1	HOSE CPL.D35MM L2M PLASTI		+030033
4	80535900	1	NECK COMBI NOZZLE D35MM		+030071
5A	80535600	1	TELESCP.TUBE D35MM L850MM		+030040
5B	80535601	1	TELESCOPIC TUBE W CLICK		+035755
6	80536200	1	ALL IN ONE ASS.D35MM ASTR		+030118
7	80536800	1	HEPA 12 FILTER - ASTRAL		+030170
8	80535800	1	HARD FLOOR NOZZLE D35MM		+030064
9	82423700	1	PET BRUSH, GM 100 PLUS		+024988
10	80536300	1	CYCLONE UNIT D35MM ASTRAL		+030101
11	80535700	1	COMBI NOZZLE D35MM W280MM		+030057
12	82327800	1	DUST BAG 5 PCS	ASTRAL/SPRINT	+010349

Note

>> means: New or changed ref. nos.