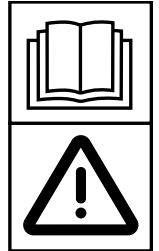
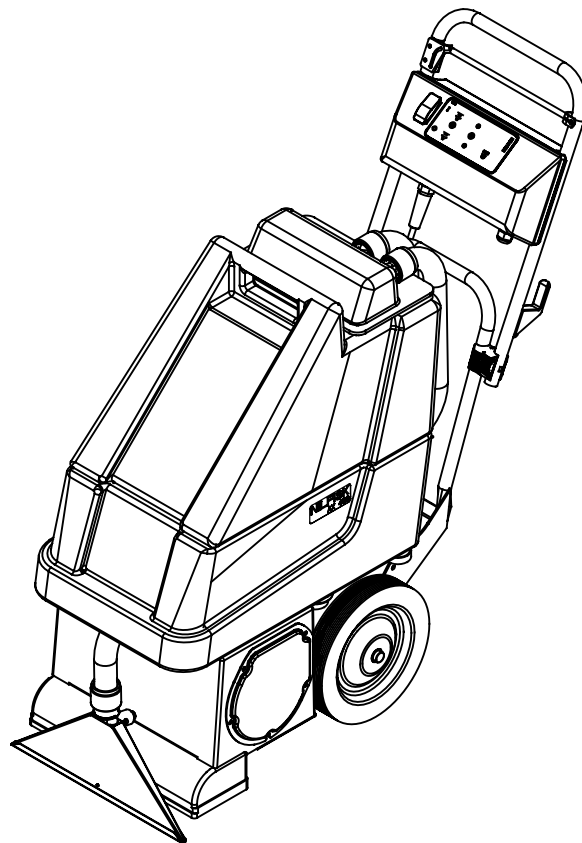


AX 300 / AX 400



Instructions For Use

Nilfisk MODELS 56264400, 56262170, 56262171
56264401, 56262175, 56262174 56262054
56262055, 56262213, 56262214, 56264466

Table of Contents

	Page
Introduction	2
Parts and Service	2
Nameplate	2
Unpacking the Machine	2
Important Safety Instructions	3
Importantes mesures de sécurité	4
Preparing the Machine for Use	5-8
Installing the Brush	5
For Use on Carpeted Floors	6
For Use on Hard Floors	7
Filling the Solution Tank	8
Operation	9-10
After Use	11
Maintenance	12-13
Maintenance Schedule	12
Storing the Machine	12
Brush Maintenance	12
Pick-Up Tool Maintenance	12
Power Cord Maintenance	12
Spray Nozzle Maintenance	12
Lubrication	13
Vacuum Motor Maintenance	13
Optional Accessories	14
Hard Floor Kits	14
Brush Options	14
Optional Accessory Tools	14
Technical specifications	14

INTRODUCTION

This manual will help you get the most from your **Nilfisk AX 300/400**. Read it thoroughly before operating the machine.

This product is intended for commercial use only.

PARTS AND SERVICE

Repairs, when required, should be performed by Nilfisk service personnel using Nilfisk original replacement parts and accessories.

Call Nilfisk for repair parts or service. Please specify the Model and Serial Number when discussing your machine.

NAME PLATE

The Model and Serial Number of your machine are shown on the Nameplate on the back panel of the machine. This information is needed when ordering repair parts for the machine. Use the space below to note the Model and Serial Number of your machine for future reference.

MODEL _____

SERIAL NUMBER _____

UNPACKING THE MACHINE

When the machine is delivered, carefully inspect the shipping carton and the machine for damage. If damage is evident, save the shipping carton so that it can be inspected by the carrier that delivered it. Contact the carrier **immediately** to file a freight damage claim.

For UK and Ireland only:

IMPORTANT!

THE PLUG IS NOT WATERPROOF - KEEP DRY

The cord is already fitted with a molded plug incorporating a fuse, the value of which is indicated on the pin face of the plug. Should the fuse need to be replaced, an ASTA approved BS 1362 fuse must be used of the same rating marked thus "10A". If the fuse cover is detachable, never use the plug with the cover omitted. If a replacement fuse cover is required, ensure it is of the same color as that visible on the pin face of the plug (i.e. red or orange). Fuse covers are available from the Parts Department indicated on the last page. If the plug supplied is not suitable for your socket outlet, it should be cut off and destroyed. The end of the flexible cord should be suitably prepared and the correct plug fitted. The wires in the main lead are colored in accordance with the following code: Blue - Neutral, Brown - Live. As these colors may not correspond with the colored markings identifying the terminals in your plug, proceed as follows: The wire which is colored Blue must be connected to the terminal in the plug which is marked with the letter N or colored Blue or Black. The wire which is colored Brown must be connected to the terminal which is marked with the letter L, or colored Brown or Red.

WARNING: DO NOT CONNECT EITHER WIRE TO THE EARTH TERMINAL WHICH IS MARKED WITH THE LETTER E, BY THE EARTH SYMBOL \perp OR COLORED GREEN OR GREEN/YELLOW.

***WARNING: A PLUG WITH BARED FLEXIBLE CORDS IS HAZARDOUS IF ENGAGED IN A LIVE SOCKET OUTLET.**

IMPORTANT SAFETY INSTRUCTIONS

This machine is only suitable for commercial use, for example in hotels, schools, hospitals, factories, shops and offices other than normal residential housekeeping purposes.

When using an electrical appliance, basic precautions should always be followed, including the following:



Read all instructions before using this appliance.

WARNING!

To reduce the risk of fire, electric shock, or injury:

- Do not leave the appliance when it is plugged in. Unplug the unit from the outlet when not in use and before servicing.
- To avoid electric shock, do not expose to rain. Store indoors.
- Do not allow to be used as a toy. Close attention is necessary when used near children.
- Use only as described in this manual. Use only the manufacturer's recommended attachments.
- Do not use with damaged cord or plug. If the appliance is not working as it should be, has been dropped, damaged, left outdoors or dropped into water, return it to a service center.
- Do not pull or carry by the cord, use the cord as a handle, close a door on the cord, or pull the cord around sharp edges or corners. Do not run the appliance over the cord. Keep the cord away from heated surfaces.
- Do not unplug by pulling on the cord. To unplug, grasp the plug, not the cord.
- Do not handle the plug, cord or appliance with wet hands.
- Do not put any object into openings. Do not use with any opening blocked; keep free of dust, lint, hair, and anything that may reduce air flow.
- Keep loose clothing, hair, fingers, and all parts of body away from openings and moving parts.
- Do not pick up anything that is burning or smoking, such as cigarettes, matches, or hot ashes, or any health endangering dusts.
- Turn off all controls before unplugging.
- Use extra care when cleaning on stairs.
- Do not use to pick up flammable or combustible liquids such as petrol or use in areas where they may be present.
- If foam or liquid comes out with the vacuum exhaust, switch power off immediately. Verify that there are no foreign objects obstructing the float ball from moving freely. Contact Nilfisk if the problem persists.
- Liquid ejected at the spray nozzle could be dangerous as a result of its temperature, pressure or chemical content.
- Only use the brushes provided with the appliance or those specified in the instruction manual. The use of other brushes may impair safety.

SAVE THESE INSTRUCTIONS

IMPORTANTES MESURES DE SÉCURITÉ

Cette machine ne convient qu'à un usage industriel, par exemple dans des hôtels, écoles, hôpitaux, usines, boutiques et bureaux et autres à l'exclusion de tout usage de maintenance résidentielle normale.

L'utilisation d'un appareil électrique demande certaines précautions:



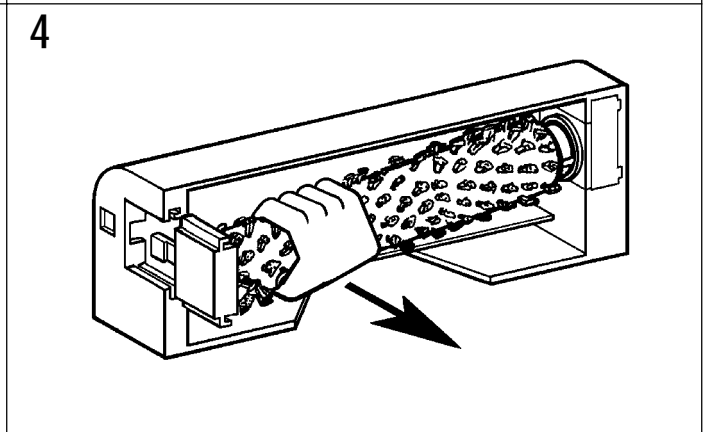
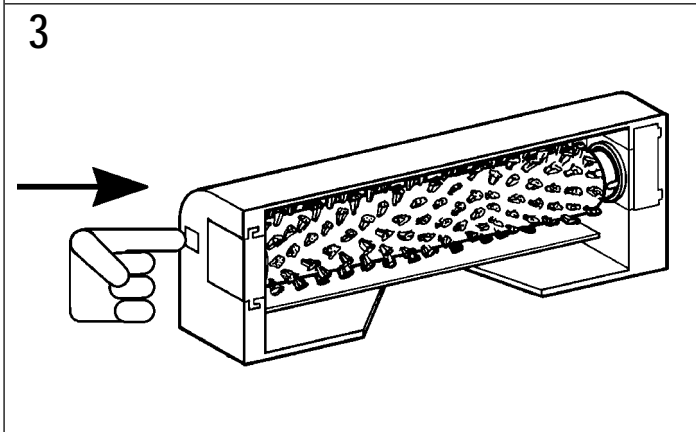
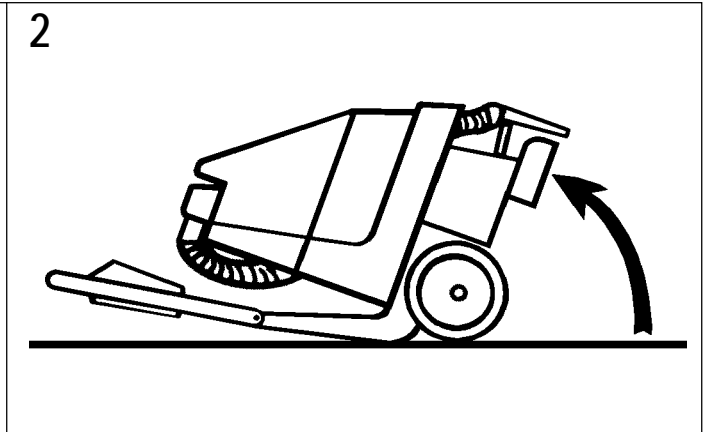
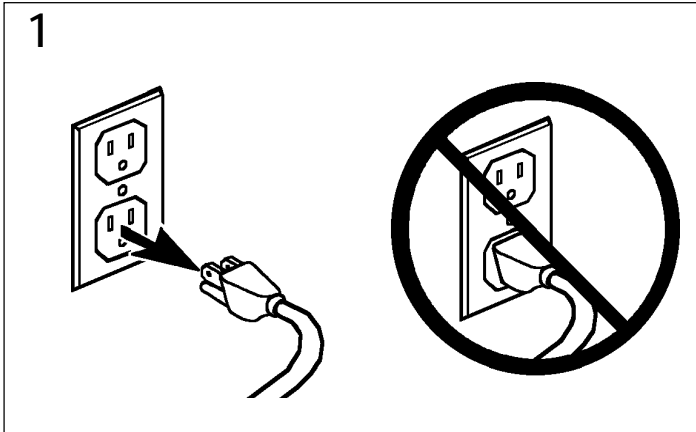
LIRE TOUTES LES INSTRUCTIONS AVANT DE FAIRE FONCTIONNER CET APPAREIL

AVERTISSEMENT!

Pour réduire les risques d'incendie, de choc électrique ou de blessure:

- Ne pas laisser l'appareil sans surveillance lorsqu'il est branché. Débrancher lorsque l'appareil n'est pas utilisé et avant l'entretien.
- Pour réduire les risques de choc électrique, utiliser à l'intérieur seulement.
- Ne pas permettre aux enfants de jouer avec l'appareil. Une attention particulière est nécessaire lorsque l'appareil est utilisé par des enfants ou à proximité de ces derniers.
- N'utiliser que conformément à cette notice avec les accessoires recommandés par le fabricant.
- Ne pas utiliser si le câble ou la fiche est endommagé. Retourner l'appareil à un atelier de réparation s'il ne fonctionne pas bien, s'il est tombé ou s'il a été endommagé, oublié à l'extérieur ou immergé.
- Ne pas tirer soulever ou traîner l'appareil par le câble. Ne pas utiliser le câble comme une poignée, le coincer dans l'embrasure d'une porte ou l'appuyer contre des arêtes vives ou des coins. Ne pas faire rouler l'appareil sur le câble. Garder le câble à l'écart des surfaces chaudes.
- Ne pas débrancher en tirant sur le câble. Tirer plutôt la fiche.
- Ne pas toucher la fiche ou l'appareil avec des mains humides.
- N'insérer aucun objet dans les ouvertures. Ne pas utiliser l'appareil lorsqu'une ouverture est bloquée. S'assurer que de la poussière, de la peluche, des cheveux ou d'autres matières ne réduisent pas le débit d'air.
- Maintenir les cheveux, les vêtements amples, les doigts et toutes les parties du corps à l'écart des ouvertures et des pièces mobiles.
- Ne pas aspirer de matières en combustion ou qui dégagent de la fumée, comme des cigarettes, des allumettes ou des cendres chaudes.
- Mettre toutes les commandes à la position ARRÊT avant de débrancher l'appareil.
- User de prudence lors du nettoyage des escaliers.
- Ne pas aspirer des liquides inflammables ou combustibles, comme de l'essence, et ne pas faire fonctionner dans des endroits où peuvent se trouver de tels liquides.
- Si de la mousse ou un liquide s'échappe avec l'air évacué, mettez immédiatement l'aspirateur hors tension. Assurez-vous qu'aucun corps étranger n'empêche le flotteur de se déplacer librement. Si le problème persiste, contactez Nilfisk.
- Le liquide qui sort de l'embout de vaporisation peut s'avérer dangereux en raison de sa température, de sa pression ou du produit chimique qu'il contient.
- Utilisez uniquement les brosses fournies avec l'appareil ou celles spécifiées dans le manuel d'instructions. L'utilisation d'autres brosses peut mettre la sécurité en péril.

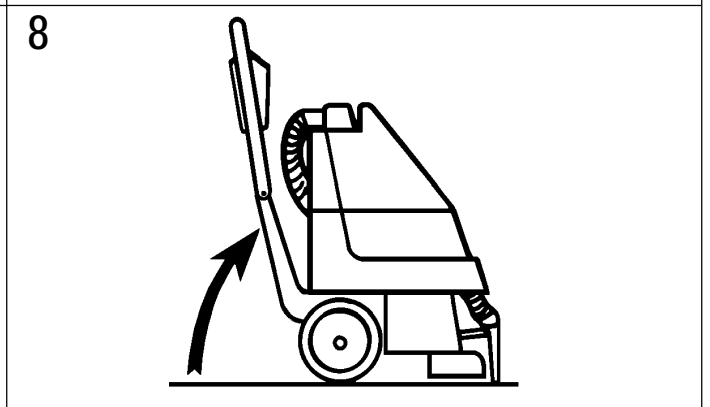
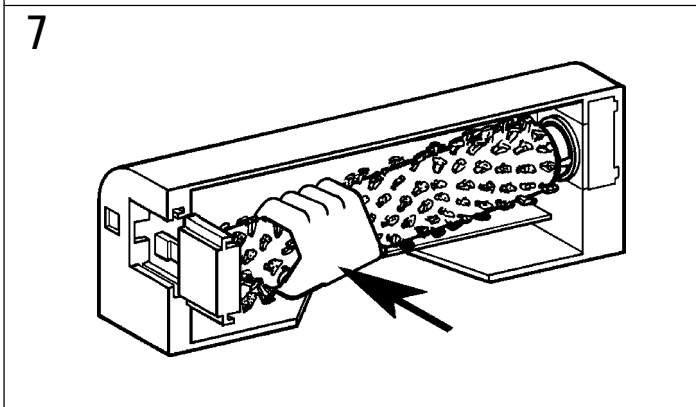
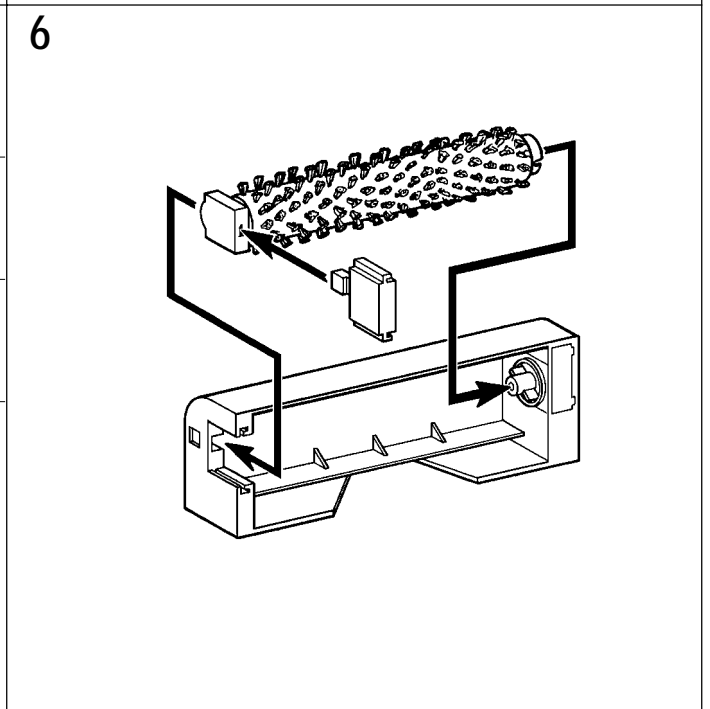
CONSERVER CES INSTRUCTIONS

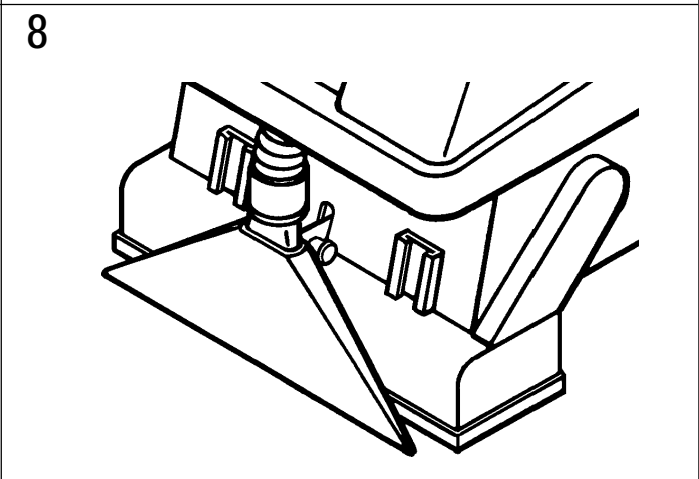
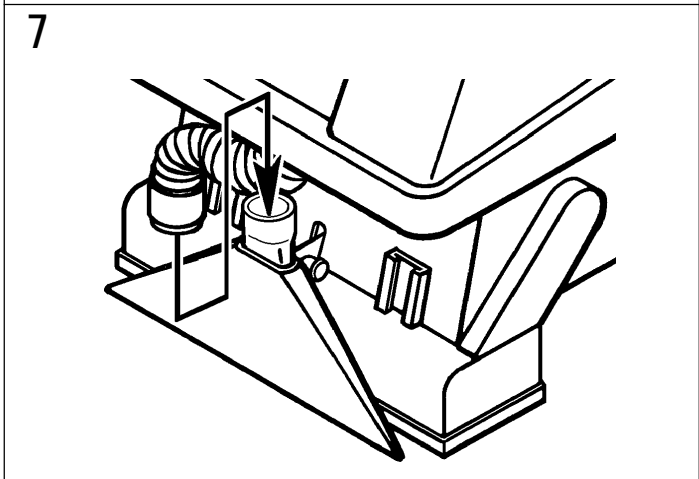
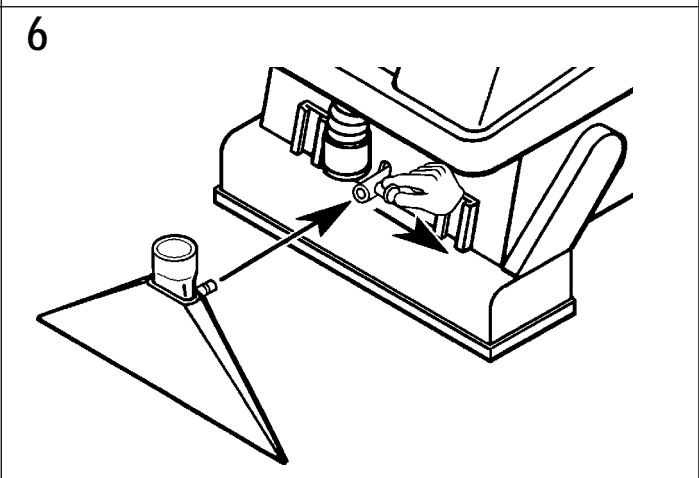
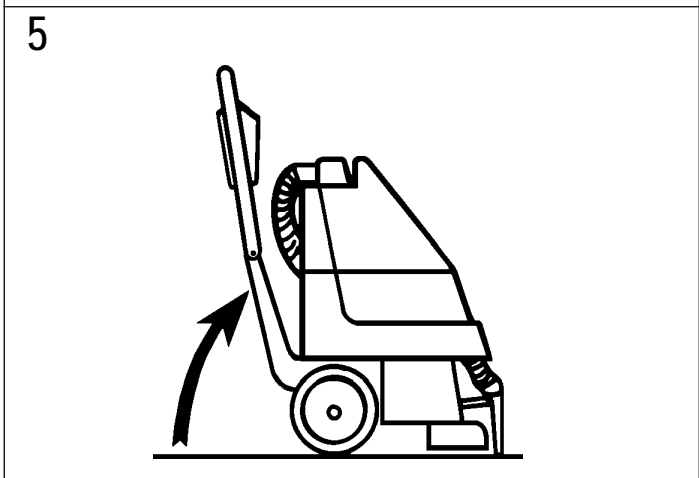
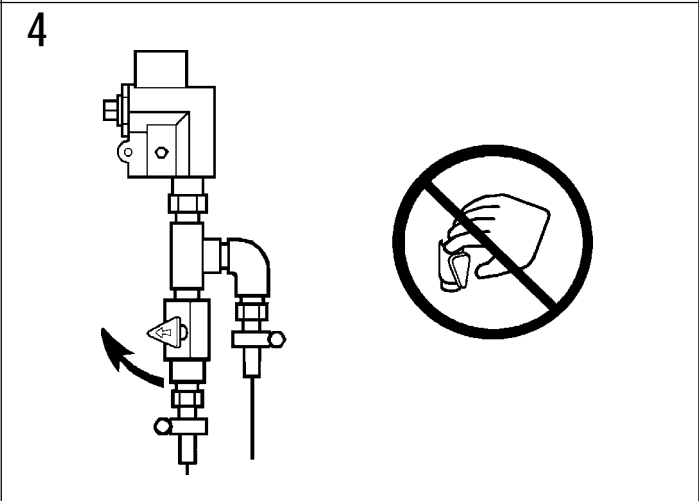
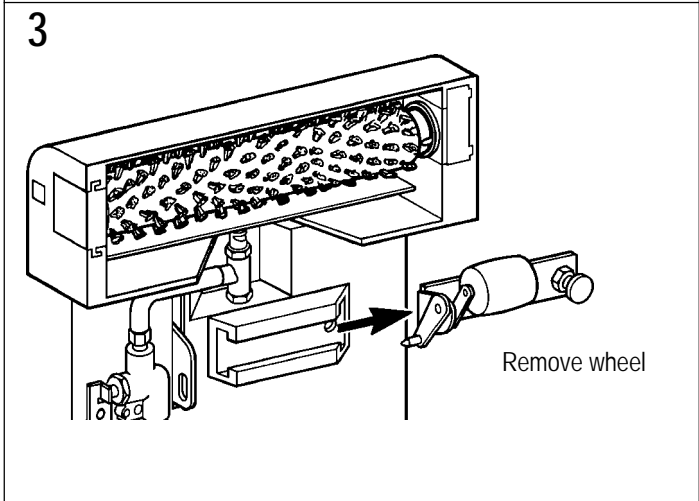
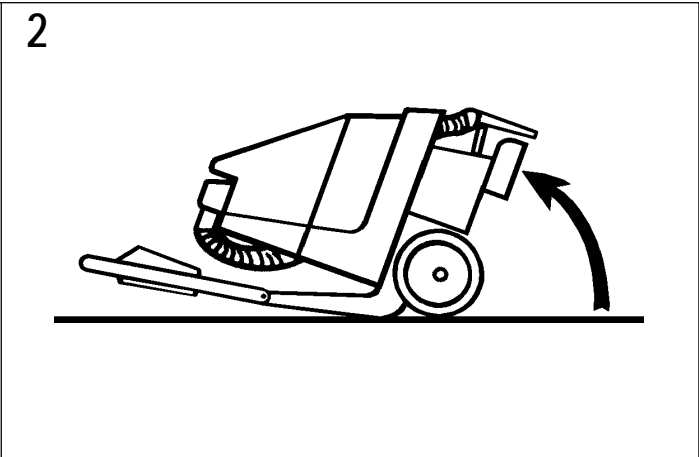
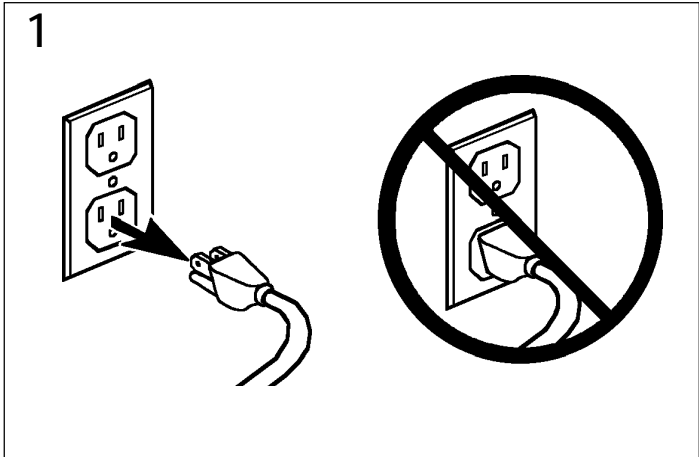


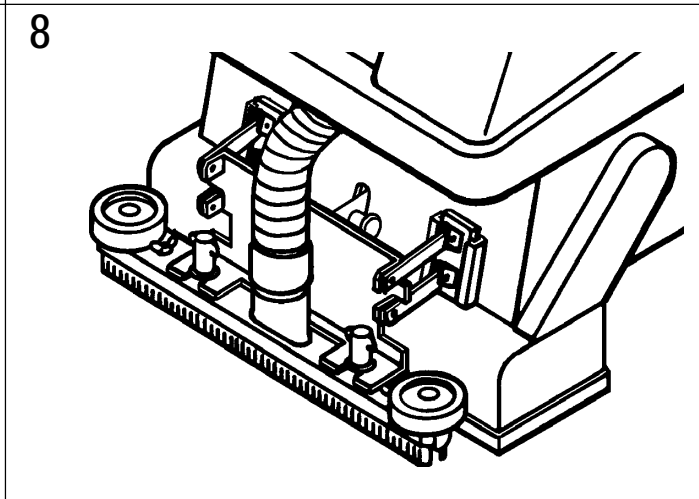
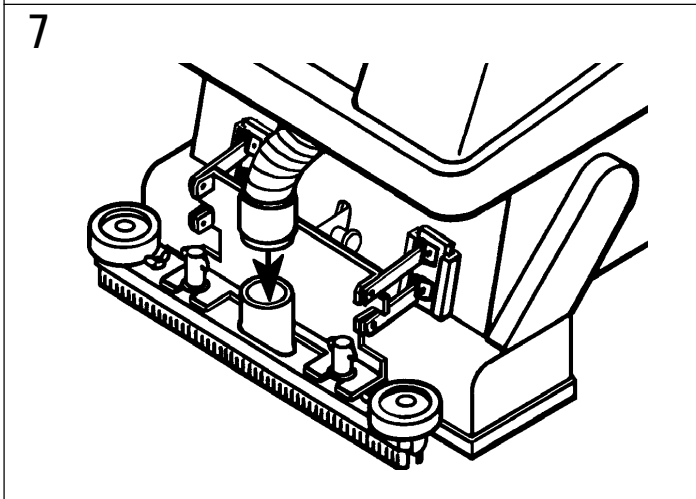
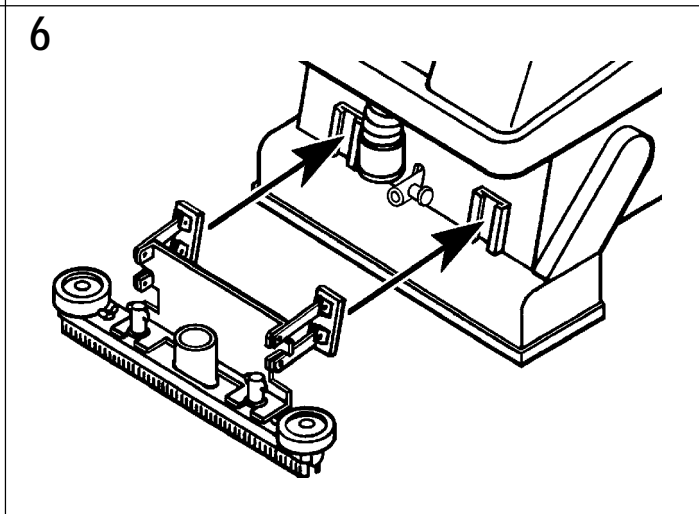
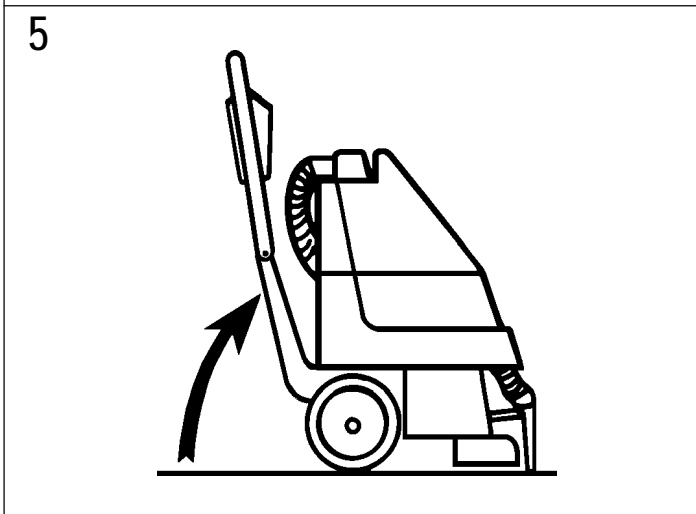
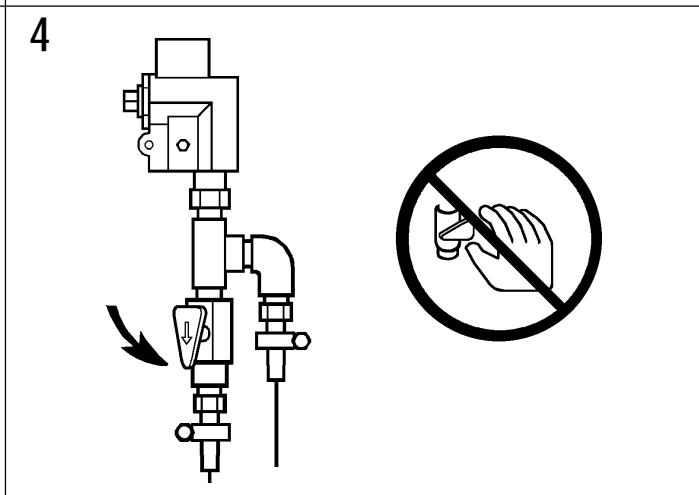
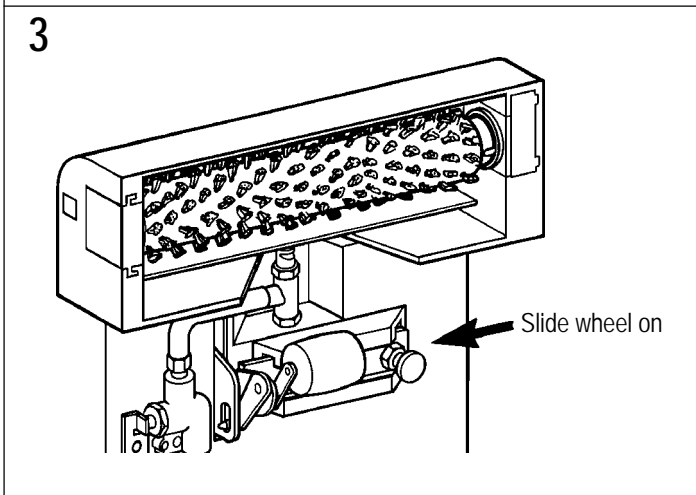
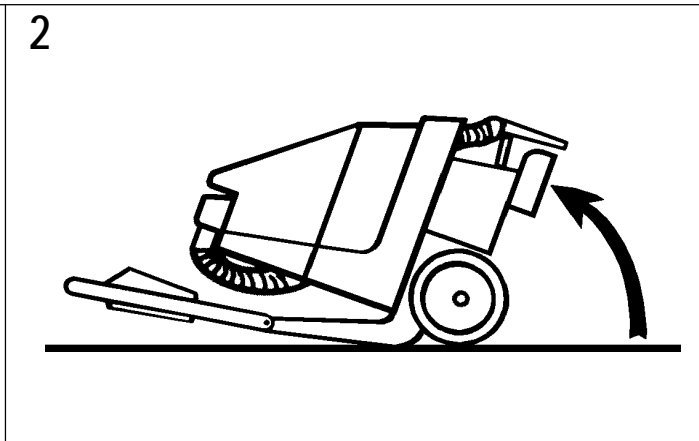
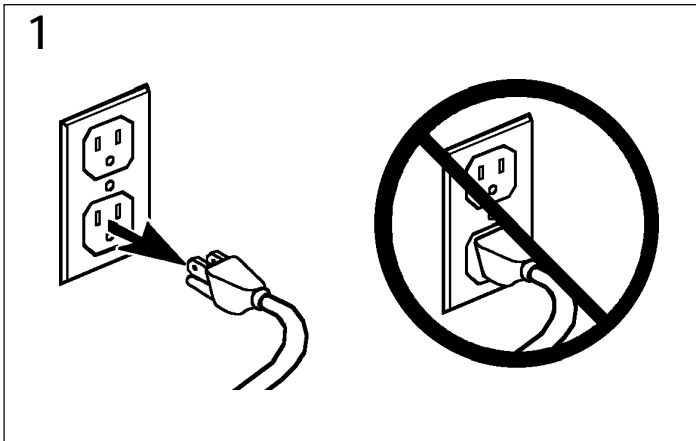
5

standard black		carpet
(optional) blue		smooth surface
(optional) gray 500		light grit
(optional) gray 240		grout grit

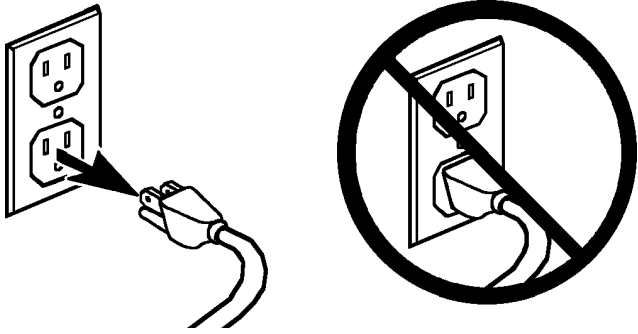
Select the correct brush for your cleaning application.



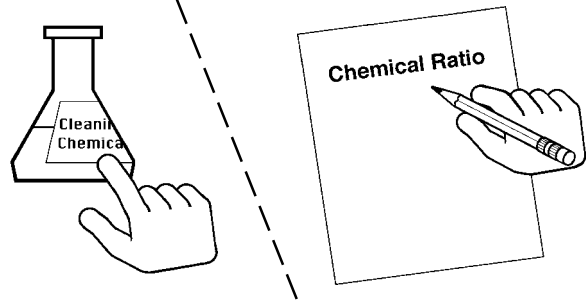




1

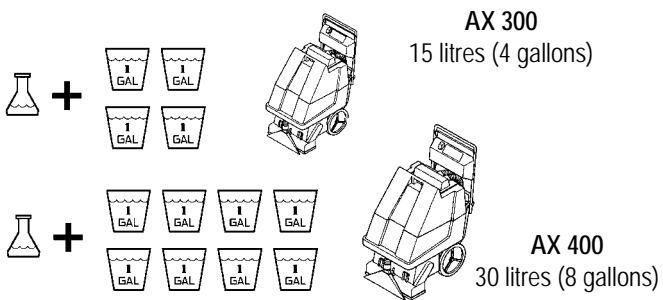


2

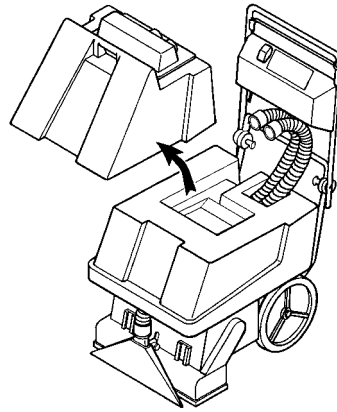


Read the cleaning chemical label and figure the proper amount of chemical for your machine.

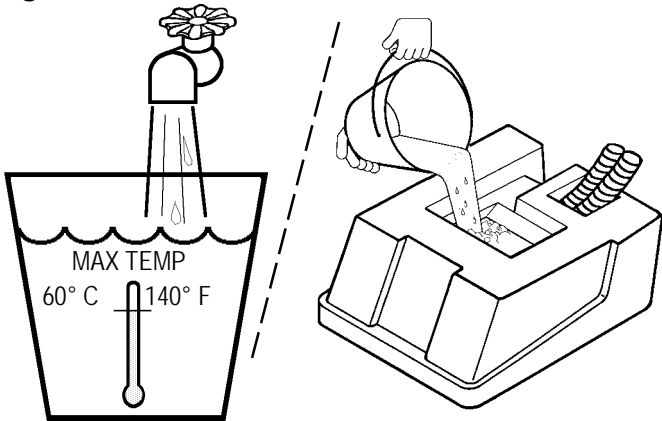
3



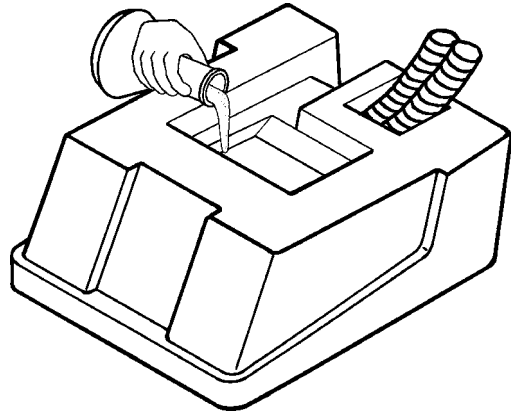
4



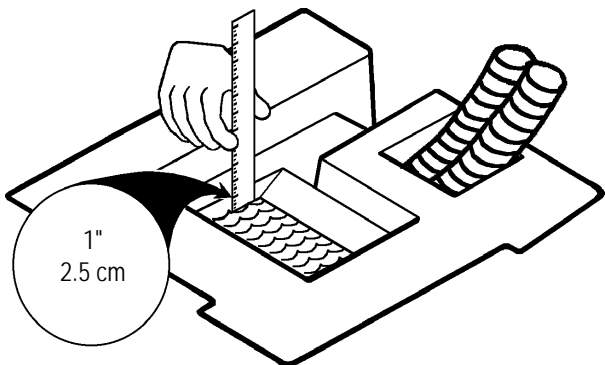
5



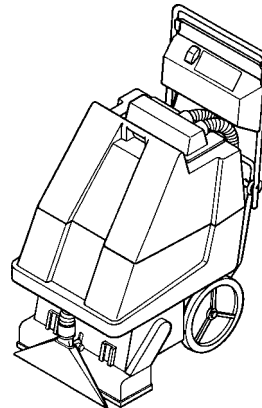
6

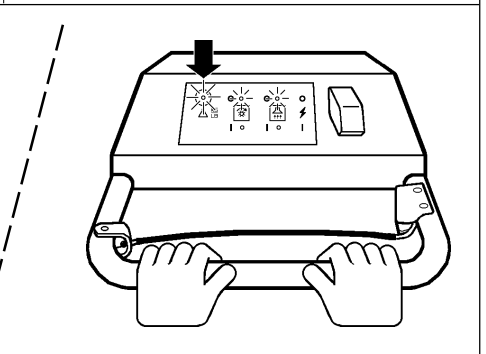
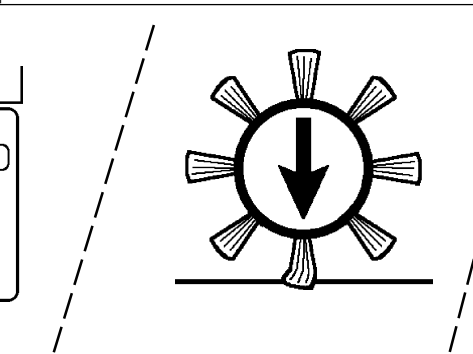
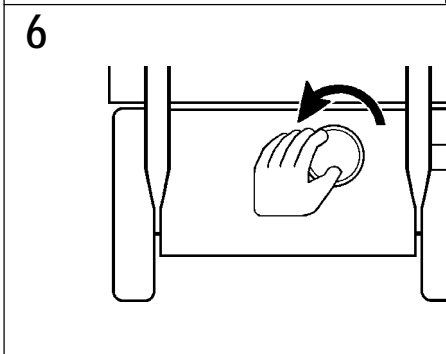
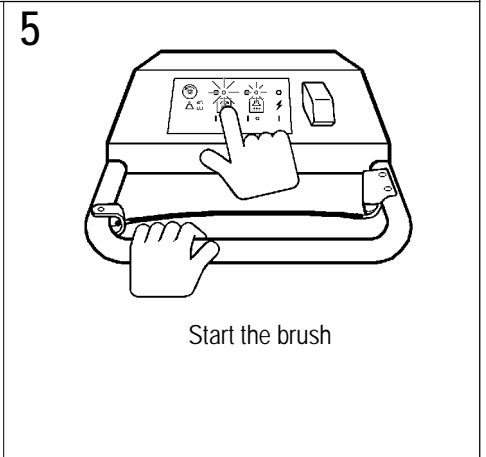
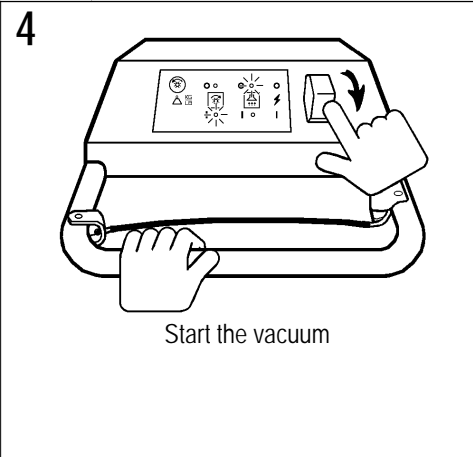
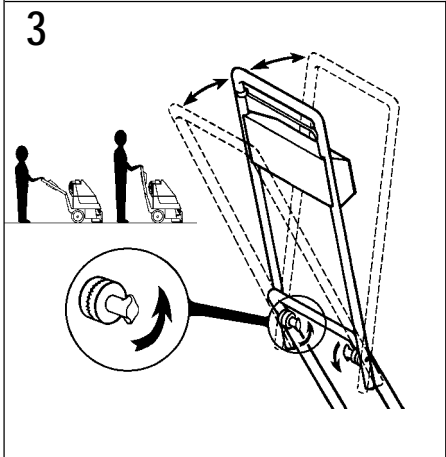
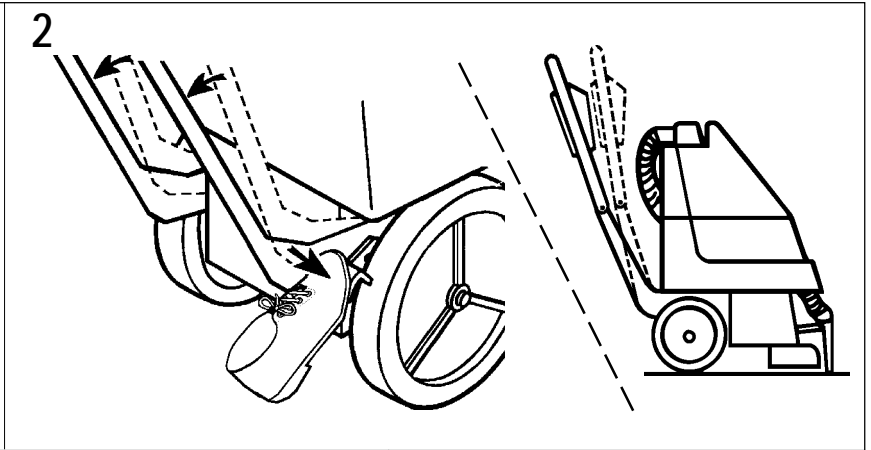
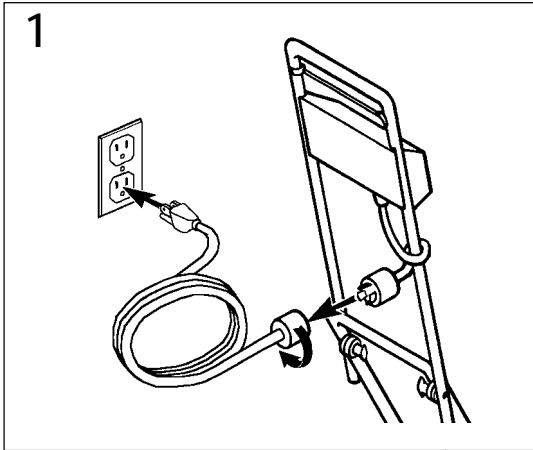


7

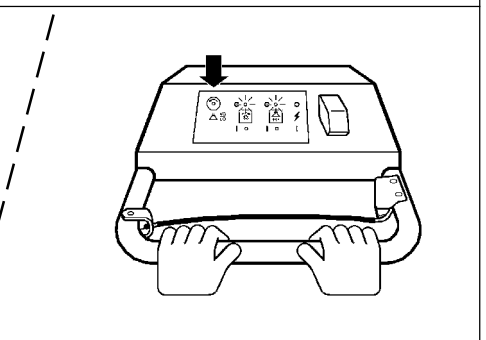
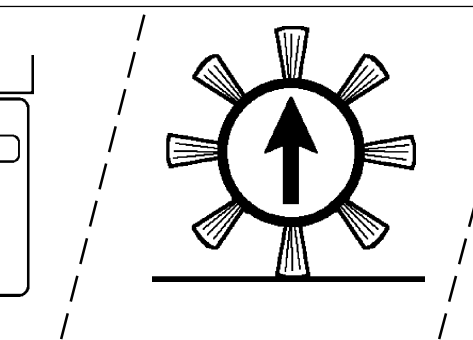
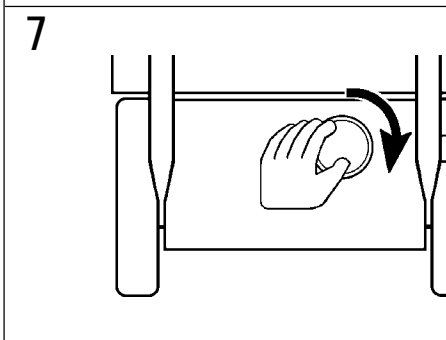


8



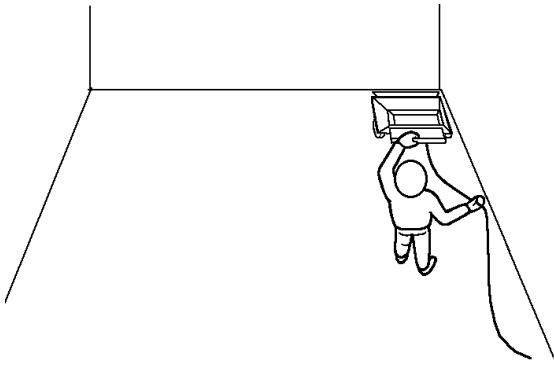


To adjust the brush on carpet, first turn the knob to the **LEFT** to **LOWER** the brush until the light comes on.

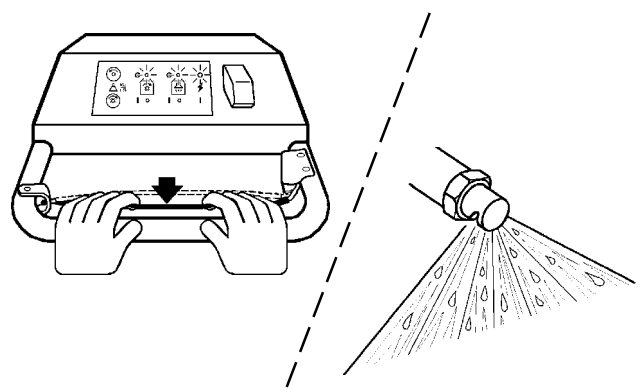


Then turn the knob to the **RIGHT** to **RAISE** the brush until the light just turns off. The machine will help propel itself (on carpet) when the brush is properly adjusted.

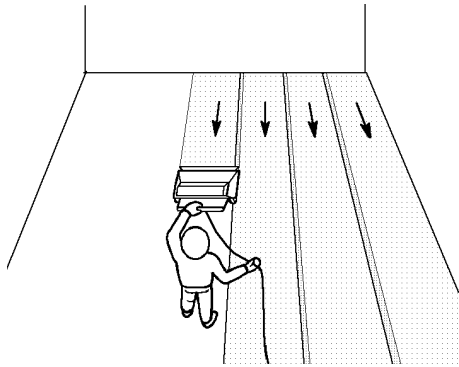
8



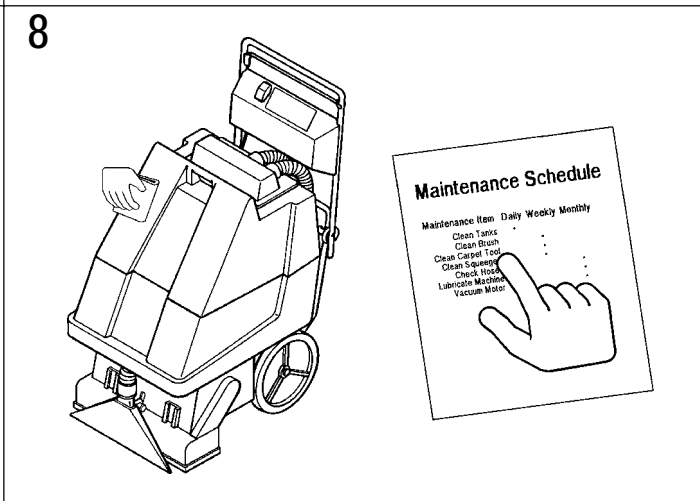
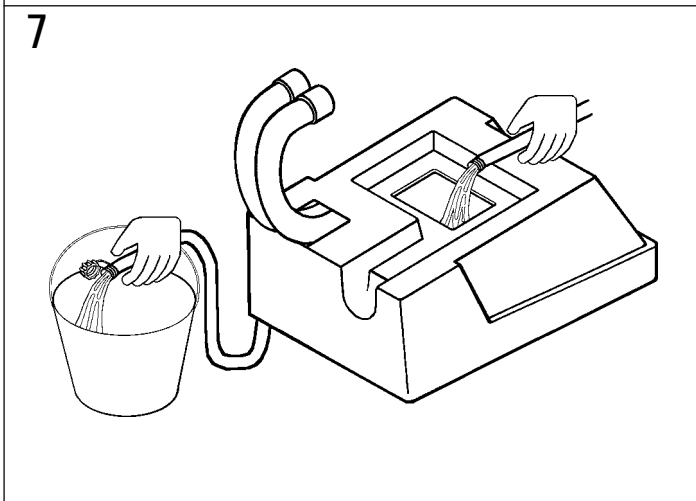
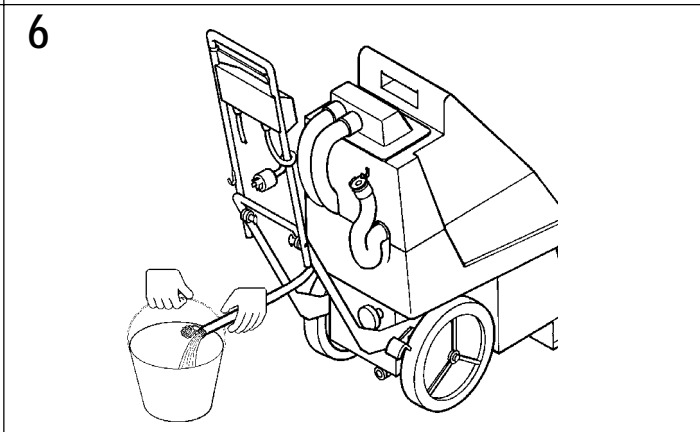
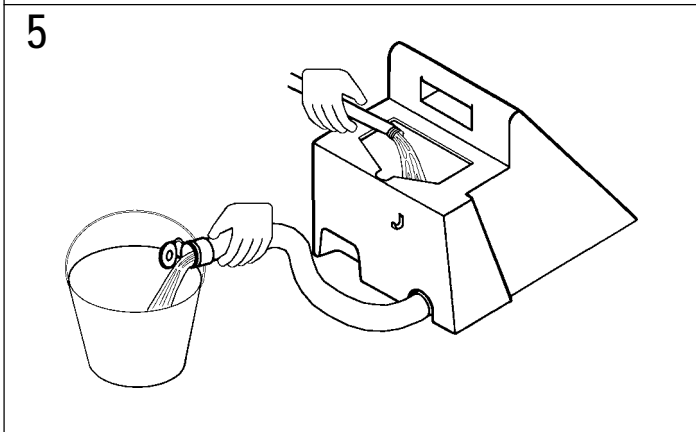
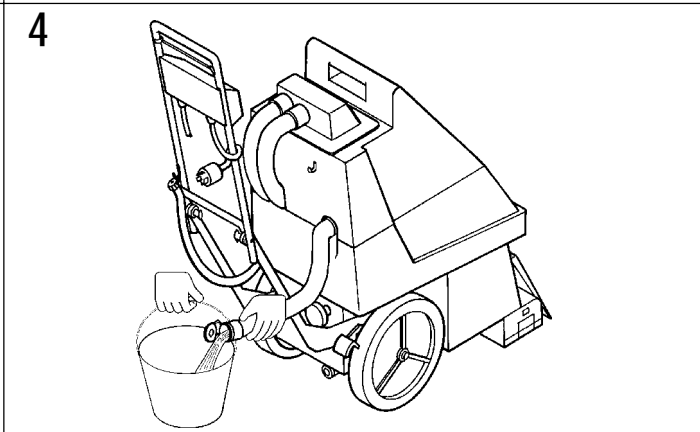
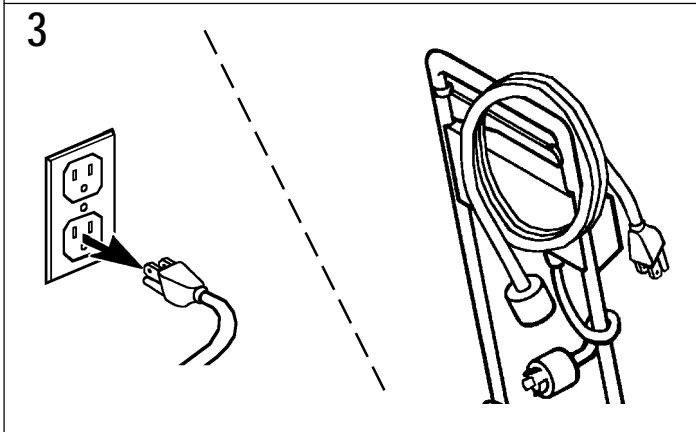
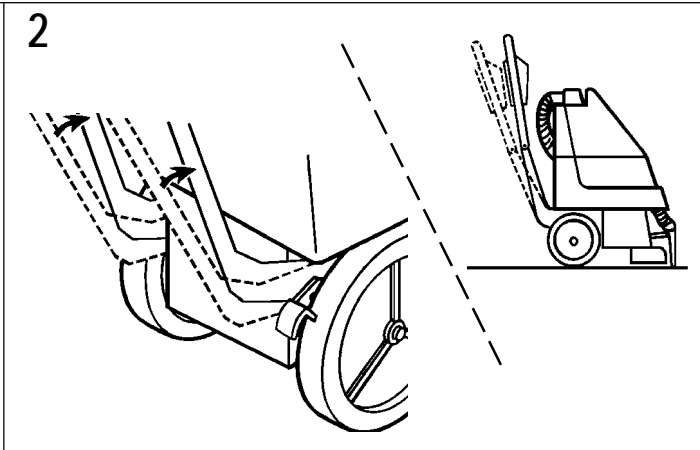
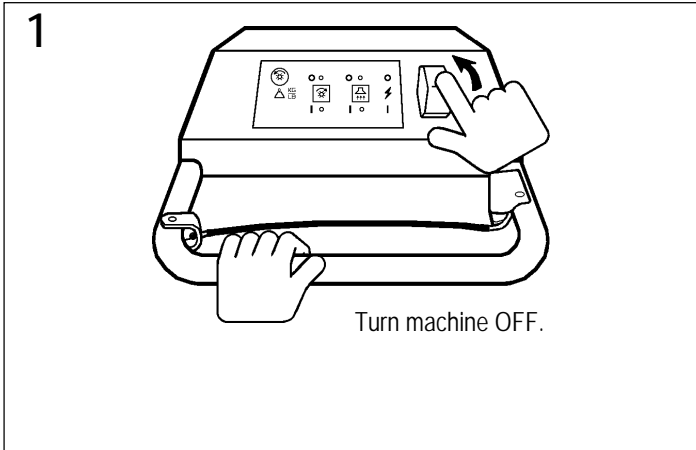
9



10



Overlap 2" (5 cm) on each pass.



MAINTENANCE SCHEDULE

MAINTENANCE ITEM	WEEKLY	MONTHLY	YEARLY
Clean the Brush	X		
Clean the Pick-Up Tool	X		
Check the Power Cord	X		
Clean the Spray Nozzle		X	
Lubricate the Machine		X	
Check the Vacuum Motor Airways		X	
*Check the Vacuum Motor Brushes			X

*Have Nilfisk check the carbon motor brushes once a year or after 500 operating hours.

STORING THE MACHINE

Store the machine indoors in a clean, dry place. Keep from freezing. Leave the tanks open to air them out..

WARNING!

To reduce the risk electric shock or injury, unplug the power cord before servicing.

BRUSH MAINTENANCE

Once a week (or more often if necessary), remove debris from the brush.

PICK-UP TOOL MAINTENANCE

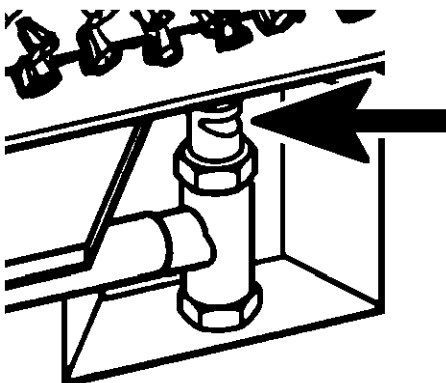
Once a week (or more often if necessary), remove debris from the pick-up tool.

POWER CORD MAINTENANCE

Once a week (or more often if necessary), check the power cord for cracked or damaged insulation, exposed wires in the cord or plug, and damaged or missing ground pin. Repair or replace damaged cord or plug **immediately**.

SPRAY NOZZLE MAINTENANCE

Once a month (or more often if necessary), remove the spray nozzle from the machine and soak it overnight in a vinegar and water rinse to remove chemical deposits.



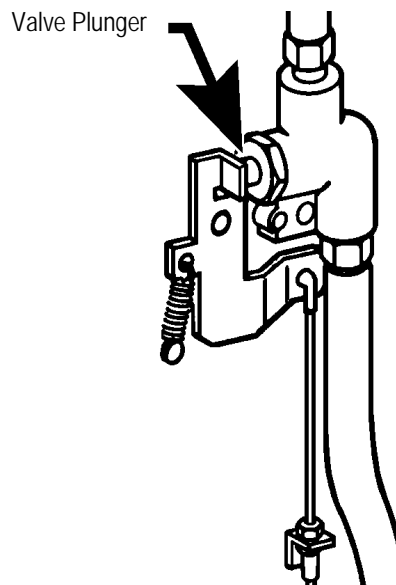
The spray nozzle is located just behind the brush, on the bottom of the machine.
Die Spritzdüse ist knapp hinter der Bürste, unten an der Maschine, angeordnet.

LUBRICATION

Once a month, wipe the solution valve with a clean cloth. Then use a spray silicone lubricant on all pivot points associated with the valve assembly, especially the valve plunger.

Once a month, lubricate the pivot points of the handle and the wheel axles. Wipe off any excess to avoid staining floor surfaces.

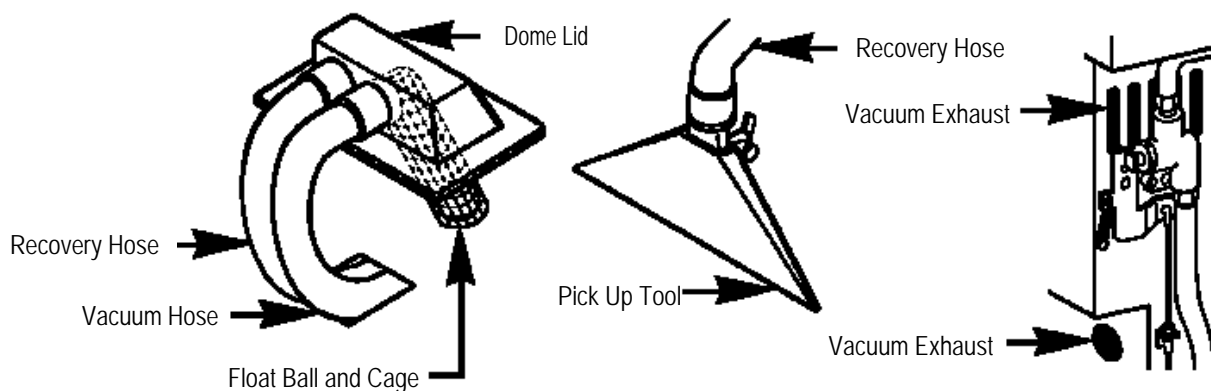
The Solution Valve Assembly is located on the bottom of the machine.



VACUUM MOTOR MAINTENANCE

Once a month, check the vacuum motor to make sure the airways are not blocked. Clean the dome lid on the recovery tank thoroughly. Clear hoses of debris and keep the vacuum motor exhaust area clean.

VACUUM MOTOR AIRWAYS



Have Nilfisk check the carbon motor brushes once a year or after 500 operating hours. Replace the carbon brushes if they are worn to 9.5 mm or less.



IMPORTANT!

Motor damage from failure to service the carbon brushes is not covered under warranty.

OPTIONAL HARD FLOOR KITS

The AX 300 and 400 come standard with a carpet tool. Optional hard floor kits include a squeegee, squeegee mount, support wheel and solution adjustment valve. Brushes for hard floor use are not included in these kits and must be ordered separately.

DESCRIPTION	AX 300	AX 400
Hard Floor Kit**	56264369	56262164

** Kits **do not** include brushes.

OPTIONAL HARD FLOOR BRUSHES

The AX 300 and 400 come standard with a carpet brush. Optional brushes for use on hard floors must be ordered separately. If you plan to clean hard floors, you should also order the Hard Floor Kit (see above) for your machine.

DESCRIPTION	AX 300	AX 400
Standard Carpet Brush (Black Bristles)	56264357	56264358
Optional Smooth Hard Floor (Blue Bristles)	56264360	56264363
Optional Light Grit Hard Floor (Gray 500)	56264361	56264364
Optional Grout Grit Hard Floor (Gray 240)	56264362	56264365

OPTIONAL ACCESSORY TOOLS

The AX 300 and 400 can be fitted with optional attachments which must be ordered separately. To use these accessory tools, attach the accessory vacuum hose to the left tube on the recovery tank cover. Attach the accessory solution hose to the fitting on the right rear side of the machine. Connect the other end of the vacuum and solution hoses to the accessory tool. When using accessory tools, turn the brush motor switch OFF.

CARPET TOOLS	REF. NUMBER
4' Stainless Steel Drag Tool	56204223
Stainless Steel Hand Tool	56204224
Plastic Hand Tool	56800385
Plastic & Stainless Drag Tool	56800390
15' Scrub and Vac Hose	56249318

HARD FLOOR TOOLS	REF. NUMBER
4' Scrub and Vac Wand	56204197
15' Scrub and Vac Hose	56249318

TECHNICAL SPECIFICATIONS (as installed and tested on the unit)

Model		AX 300	AX 400	AX 400
Voltage/frequency	V/Hz	230 / 50	230 / 50	100 / 50/60
Rated Power	W	1500	1500	1220
Protection Class (electrical)		<input type="checkbox"/>	<input type="checkbox"/>	<input type="checkbox"/>
Protection grade (mec, moist, dust)		IP34	IP34	N/A
Sound Pressure Level (at 1.5m)	dB(A)/20µPa	72.8	72.8	72.8
Total Weight	kg	60	78	78

Austria (Sales Sub)

Nilfisk-Advance GmbH	Phone: +43
Voralberger Allee 46	1616 58 30 22
A-1230 Wien	Fax: +43
info@nilfisk-advance.at	1616 58 30 40
www.nilfisk-advance.at	

Belgium (Sales Sub)

Nilfisk-Advance NV/SA	Phone: +32
Doornveld Sphere Business Park	(0)2467 60 50
Industrie Asse 3, No. 11	Fax: +32
B-1731 Zellik-Asse	(0)2463 44 16
www.nilfisk-advance.be	

Czech Republic (Sales Sub)

Nilfisk-Advance s.r.o.	Phone: +420
Lysinská 44/1863	2 44 09 09 12
143 00 Praha - Modrany	+420
Czech Republic	2 44 09 09 21 4
	Fax: +420
	2 44 40 23 93

Denmark

Nilfisk-Advance A/S	Phone: +45
Sognevej 25	43 23 81 00
DK-2605 Brøndby	Fax: +45
mail@nilfisk-advance.dk	43 43 77 00
www.nilfisk-advance.com	

Denmark (Prod. Sub)

Gerni A/S	Phone: +45
Myntevej 2	89 12 22 00
DK-8900 Randers	Fax: +45
www.gerni.com	86 43 14 81

Denmark (Sales Sub)

Nilfisk-Advance Nordic A/S	Phone: +45
Sognevej 25A	43 23 40 50
Postbox 344	Fax: +45
DK-2605 Brøndby	43 23 40 60
kundeservice@nilfisk-advance.dk	
www.nilfisk-advance.dk	

France (Sales Sub)

Nilfisk-Advance S.A.	Phone: +33
27 avenue de la Baltique	1695 98 700
Villebon sur Yvette	Fax: +33
P.B. 246	1695 98 701
F-91944 Courtaboeuf Cedex	
info@nilfisk-advance.fr	
www.nilfisk-advance.fr	

Germany (Sales Sub)

Nilfisk-Advance AG	Phone: +49
Siemensstrasse 25-27	4101 3990
Postfach 1361	Fax: +49
D-25462 Rellingen	4101 39 91 91
info@nilfisk-advance.de	
www.nilfisk-advance.de	

Greece (Sales Sub)

Nilfisk-Advance A.E.	Tel.: +30
8, Thoukididou Str.	210 963 3443
Argioupoli	Fax: +30
Gr - 164 52 Athens	210 965 0975
Greece	

Holland (Sales Sub)

Nilfisk-Advance B.V.	Phone: +31
Camerastraat 9 (2e verdieping)	36 546 07 00
1322 BB Almere	Fax: +31
Postbus 60112	36 523 51 48
1320 AC Almere	
www.nilfisk-advance.nl	

Ireland (Sales Sub)

Nilfisk-Advance Limited	Phone: +35
28 Sandyford Office Park	3 12 94 38 38
Sandyford, Dublin 18	Fax: +35
Ireland	3 12 94 38 45

Italy (Prod & Sales Sub)

CFM SpA	Phone: +39
Nilfisk-Advance Div. Guardamiglio	0377 /414021
Localita Novella III	/45 1124
I-26862 Guardamiglio (Mi)	Fax: +39
	0377 51 443

Italy (Prod & Sales Sub)

CFM S.p.A.	Phone: +39
Via Porrettana 1991	059 973 0000
I-41059 Zocca (Modena)	Fax: +39
cfm@cfm.it	059 973 0099

Norway (Sales Sub)

Nilfisk-Advance AS	Phone: +47
Ulvenveien 89C	23 06 75 00
N-0581 Oslo	Fax: +47
	23 06 75 01

Poland (Sales Sub)

Nilfisk-Advance Sp.Z.O.O.	Phone: +48
05-800 Pruszków	22 738 37 50
ul. 3-go MAJA 8	Fax: +48
Poland	22 738 37 51

Portugal (Sales Sub)

Nilfisk-Advance, Lda.	Phone: +35
Sintra Business Park	121 911 2670
Zona Industrial Da Abrunheira	Fax: +35
Edificio 1, 1o A	121 911 2679
P-2710-089 Sintra	

Russia (Sales Sub)

Nilfisk-Advance LLC	Phone: 7
Vyatskaya str. 27, bld. 7	095 783 9602
127015 Moscow	Fax: +7
Russia	095 783 9603

Spain (Sales Sub)

Nilfisk-Advance S.A.	Phone: +34
Torre D'Ara	93 741 2400
Passeig del Rengle, 5 Pl.10	Fax: +34
E-08302 Mataró (Barcelona)	93 757 8020
nilfisk@nilfisk-advance.es	

Sweden (Sales Sub)

Nilfisk -Advance A/S	Phone: +46
Sjöbjörnsvägen 5	8555 94400
Box 44045	Fax: +46
S-100 73 Stockholm	8555 94430
info@nilfisk-advance.se	
www.nilfisk-advance.se	

Sweden (Prod.)

Nilfisk-Advance A/S	Phone: +46
Åmål Branch	5321 7500
Strömsbergsgatan	Fax: +46
Box 127	5321 7595
S-662 23 Åmål	

Switzerland (Sales Sub)

Nilfisk-Advance AG	Phone: +41
Ringsstrasse 19	71 92 38 444
Kirchberg/Industrie Stelzl	Fax: +41
CH-9500 Wil	71 92 35 283
www.nilfisk-advance.ch	

UK (Sales Sub)

Nilfisk-Advance Limited	Phone: +44
Newmarket Road	1284 763163
Bury St. Edmunds	Fax: +44
UK-Suffolk IP33 3SR	1284 750 562

USA (Prod.)

Nilfisk-Advance Inc.	Phone: +1 763
14600 21.st Avenue North	745 3500
Plymouth, MN 55447-3408	Fax: +1 763
www.mn.nilfisk-advance.com	745 3718

USA (Sales Sub)

Nilfisk-Advance America Inc.	Phone: +1 610
300 Technology Drive	647 6420
Malvern, PA 19355	Fax: +1 610
www.pa.nilfisk-advance.com	647 6427

Canada (Sales Sub)

Nilfisk-Advance Canada Comp.	Phone: +1 905
396 Watline Avenue	712 3260
Mississauga, Ontario L4Z 1X2	Fax: +1 905
	712 3255

Australia (Sales Sub)

Nilfisk-Advance Pty. Ltd.	Phone: +61(0)2
48 Egerton Street	9648 2700
Silverwater, NSW 2128	Fax: +61(0)2
Postal addresse:	9648 2711
PO Box 6046	
Silverwater. NSW 1811	
info@nilfisk-advance.com.au	
www.nilfisk-advance.com.au	

China (Shenzhen)

Nilfisk-Advance (Shenzhen) Ltd	Phone: +86 755
Blok 3, Unit 130, 1001 Honghua Road	8359 7937 el.
Int. Commercial & Trade Center	8359 7939-42
Fuitian Free Trade Zone	Fax: +86 755
518038 Shenzhen	8359 1063
P.R. China	

China (Suzhou)

Nilfisk-Advance Professional	Phone: +86 512
Cleaning Equipment (Suzhou) Co. Ltd.	8918 5656
306 Su Hong Zhong Road, Build. 2	Fax: +86 512
Suzhou Industrial Park	8918 5666
215021 Suzhou	
P.R. China	

Hong Kong (Sales Sub)

Nilfisk-Advance Ltd.	Phone: +852
2001 HK Worsted Mills Ind'l Bldg.,	2427 5951
31-39 Wo Tong Tsui St.	Fax: +852
Kwai Chung, Hong Kong	2487 5828

Japan (Sales Sub)

Nilfisk-Advance Inc.	Phone: +8145
3-17-40-101 Chigasaki Higashi	942 7741
Tsuzuki-ku, Yokohama 224-0033	Fax: +8145
Japan	942 6545

Malaysia (Sales Sub)

Nilfisk-Advance Sdn Bhd	Phone: +60 3
No. 21, Jalan SS 25/41	7956 8188
Mayang Industrial Park	Fax: +60 3
47301 Petaling Jaya	7966 6828
Selangor, Malaysia	

New Zealand (Sales Sub)

Nilfisk-Advance Limited	Phone: +64(0)9
Danish House	525 0092
6 Rockridge Avenue	Fax: +64(0)9
Penrose 92-829	525 6440
Auckland1135	
Postal addresse:	
Private Bag 92 825	
Auckland	
New Zealand	

Singapore (Sales Sub)

Nilfisk-Advance Pte. Ltd.	Phone: + 65
22,Woodlands Industrial Park E1	6 7599100
Singapore 757740	Fax: +65
sales@nilfisk-advance.com.sg	7599133

Taiwan, ROC (Sales Sub)

Nilfisk-Advance Ltd.	Phone: +886
Taiwan Branch (H.K.)	2 2239 8812
1F, No. 193, Sec.2	Fax: +886
Xing Long Rd., Taipei	2 2239 8832
Taiwan, R.O.C.	

Thailand (Sales Sub)

Nilfisk-Advance Co. Ltd.	Phone: +66 2
89 Soi Chokechai-Ruammitr	275-5630
Viphavadee-Rangsit Road	Fax: +66 2
Ladyao, Jatuchak, Bangkok 10900	691-4079
Thailand	

TYPE: AX300, AX400

<p>EU Overensstemmelseserklæring DK</p> <p>Tæpperenssemaskine Maskinen er fremstillet i overensstemmelse med følgende direktiver: Maskindirektiv: 98/37/EØF EMC-direktiv: 89/336/EØF 92/31/EØF 93/68/EØF 98/13/EOF</p> <p>Lavspændingsdirektiv: 73/23/EØF 93/68/EØF Harmoniserede standarder: EN 60 335-2-67</p>	<p>Déclaration CE de conformité B, F</p> <p>Injecteur- extracteur Cette machine a été fabriquée conformément aux directives suivantes: Réglementation machine: 98/37/CEE Réglementation CEM: 89/336/CEE,92/31/CEE,93/68/CEE,98/13/CEE Règlement basse tension: 73/23/CEE 93/68/CEE Normes harmonisées: EN 60 335-2-67</p>
<p>EU Överensstämmelseförsäkran S, FIN</p> <p>Golvvårdsmaskin Maskinen är tillverkad i överensstämmelse med följande direktiver: Maskindirektiv: 98/37/EEG EMC-direktiv: 89/336/EEG 92/31/EEG 93/68/EEG 98/13/EEG Lågspänningsdirektiv: 73/23/EEG 93/68/EEG Harmoniserade standarder: EN 60 335-2-67</p>	<p>EG-conformiteitsverklaring NL, B</p> <p>Sproei-extractie machine Deze machine is vervaardigd overeenkomstig de volgende richtlijnen: Machine richtlijn: 98/37/EEC EMC-richtlijn: 89/336/EEC 92/31/EEC 93/68/EEC 98/13/EEC Laagspanning richtlijn: 73/23/EEC 93/68/EEC Geharmoniseerde normen: EN 60 335-2-67</p>
<p>EU Declaration of Conformity GB, IRL</p> <p>Spray extraction machine This machine was manufactured in conformity with the following directives and standards: Machine Directive: 98/37/EEC EMC-directive: 89/336/EEC 92/31/EEC 93/68/EEC 98/13/EEC Low voltage directive: 73/23/EEC 93/68/EEC Harmonized standards: EN 60 335-2-67</p>	<p>Declaración de conformidad de la CEE E</p> <p>Máquina inyección/extracción Esta máquina ha sido fabricada en conformidad a las siguientes normativas: Normativa de la máquina: 98/37/CEE Normativa EMC: 89/336/CEE 92/31/CEE 93/68/CEE 98/13/CEE Normativa sobre baja tensión: 73/23/CEE 93/68/CEE Normas armonizadas: EN 60 335-2-67</p>
<p>Dichiarazione di conformità - CEE I</p> <p>Macchina ad estrazione È prodotto in conformità alle disposizioni contenute nelle Direttive del Consiglio dei Ministri: M-direttiva: 98/37/EEC EMC-direttiva: 89/336/EEC 92/31/EEC 93/68/EEC 98/13/EEC LV-direttiva: 73/23/EEC 93/68/EEC Norme armonizzate: EN 60 335-2-67</p>	<p>EU Declaração de conformidade da CE P</p> <p>Máquina de injeção/extracção Esta máquina foi fabricada em conformidade com as seguintes directrizes: Directriz de maquinaria: 98/37/CEE Directriz EMC: 89/336/CEE 92/31/EEC 93/68/CEE 98/13/CEE Directriz de baixa voltagem: 73/23/CEE 93/68/CEE Normas harmonizadas: EN 60 335-2-67</p>
<p>EG – Konformitätserklärung D, A</p> <p>Sprühextraktionsmaschine Diese Maschine wurde gemäß den folgenden Richtlinien hergestellt: Maschinerichtlinie: 98/37/EWG EMV-Richtlinie: 89/336/EWG 92/31/EWG 93/68/EWG 98/13/EWG Niederspannungsrichtlinie: 73/23/EWG 93/68/EWG Harmonisierte normen: EN 60 335-2-67</p>	<p>EU:n yhdenmukaisuudesta direktiiveihin FIN</p> <p>Painehuuhtelukone On valmistettu noudattaen yhteisön määrittämiä direktiivejä: M-direktiivi: 98/37/CEE EMC-direktiivi: 89/336/CEE 92/31/CEE 93/68/CEE 98/13/CEE LV-direktiivi: 73/23/CEE 93/68/CEE Yhdenmukaistetut standardit: EN 60 335-2-67</p>
<p>Δηλώση προσαρμογής/συμόρφωσης EU GR</p> <p>Μηχανήμα καθαρισμού χαλιών ψεκασμού-αναρρόφησης Το μηχανήμα έχει κατασκευαστεί ομόμοια με τις παρακάτω προς ιαγραφές: Προσαρμογή μηχανήματος: 98/37/EEC Προσαρμογή-EMC: 89/336/EEC,92/31/EEC,93/68/EEC,98/13/EEC Προσαρμογή χαμηλής τάσεως: 73/23/EEC 93/68/EEC Εναρμονισμένα προτυπα: EN 60 335-2-67</p>	<p>EL vastavusdeklaratsioon ET</p> <p>Pihustusmasin Käesolev masin on valmistatud kooskõlas järgmiste direktiivide ja standarditega: Masinadirektiiv: 98/37/EEC Elektromagnetilise sobivuse direktiiv: 89/336/EEC 92/31/EEC 93/68/EEC 98/13/EEC Madalpinge direktiiv: 73/23/EEC 93/68/EEC Ühtlustatud standardid: EN 60 335-2-67</p>

<p>ES atbilstības deklarācija LV Šļakatu ekstrakcijas mašīna Šī mašīna izgatavota atbilstoši šādām direktīvām un standartiem: Mašīnu direktīva: 98/37/EEC Elektromagnētiskās savietojamības (EMC) direktīva: 89/336/EEC 92/31/EEC 93/68/EEC 98/13/EEC Zemsprieguma direktīva: 73/23/EEC 93/68/EEC Saskaņotie standarti: EN 60 335-2-67</p>	<p>Pareškimas apie atitikimą ES direktyvoms LT Skysčio surinkimo mašina Šis įrenginys pagamintas laikantis tokių direktyvų bei standartų: Įrengimų direktyva: 98/37/EEC EMC direktyva: 89/336/EEC 92/31/EEC 93/68/EEC 98/13/EEC Žemos įtampos įrengimų direktyva: 73/23/EEC 93/68/EEC Harmonizuoti standartai: EN 60 335-2-67</p>
<p>Deklaracija EU o skladnosti SL Stroj za razprševanje čistila Ta stroj je izdelan v skladu z naslednjimi smernicami in standardi: Smernica o strojih: 98/37/EEC Smernica o elektromagnetni združljivosti (EMC): 89/336/EEC 92/31/EEC 93/68/EEC 98/13/EEC Smernica o nizki napetosti: 73/23/EEC 93/68/EEC Harmonizirani standardi: EN 60 335-2-67</p>	<p>Prehlásenie o súlade EÚ SK Zariadenie na odsávanie povrchového postreku Toto zariadenie bolo vyrobené v súlade s nasledujúcimi direktívami a normami: Direktíva o zariadeniach: 98/37/EEC Direktíva EMC: 89/336/EEC 92/31/EEC 93/68/EEC 98/13/EEC Direktíva o nízkom napätí: 73/23/EEC 93/68/EEC Súvisiace normy: EN 60 335-2-67</p>
<p>EU Prohlášení o shodě CS Odsávací stroj Tento stroj byl vyroben ve shodě s následujícími směrnici a normami: Směrnice o strojním zařízení: 98/37/EEC Směrnice o elektromagnetické kompatibilitě: 89/336/EEC 92/31/EEC 93/68/EEC 98/13/EEC Směrnice o nízkém napětí: 73/23/EEC 93/68/EEC Harmonizované normy: EN 60 335-2-67</p>	<p>Deklaracja zgodności z normami UE PL Urządzenie do wysokociśnieniowego prania dywanów Niniejsze urządzenie zostało wyprodukowane w zgodzie z następującymi dyrektywami i normami UE: Dyrektywa dotycząca maszyn: 98/37/EEC Dyrektywa: kompatybilność elektromagnetyczna 89/336/EEC 92/31/EEC 93/68/EEC 98/13/EEC Dyrektywa: urządzenia elektromagnetyczne niskonapięciowe 73/23/EEC 93/68/EEC Zharmonizowane normy: EN 60 335-2-67</p>
<p>EU megfeleléségi nyilatkozat HU Permetfelszívógép Ez a gép az alábbi irányelvekkel és szabványokkal összhangban készült: Gépészeti irányelvek 98/37/EEC EMC-irányelvek 89/336/EEC 92/31/EEC 93/68/EEC 98/13/EEC Kifeszültségű irányelvek: 73/23/EEC 93/68/EEC Harmonizált szabványok: EN 60 335-2-67</p>	<p>Декларация изготовителя о соответствии директивам ЕС Распылительный пылесос Данная машина разработана в соответствии со следующими инструкциями и стандартами: Инструкция по разработке машин: 98/37/EEC Инструкция EMC: 89/336/EEC 92/31/EEC 93/68/EEC 98/13/EEC Инструкция по использованию низких напряжений: 73/23/EEC 93/68/EEC Сogласованные стандарты: EN 60 335-2-67</p>



4.4.2004.

Larry Doerr, Vice President Operations

Nilfisk-Advance, Inc.
 14600 21st Avenue North
 Plymouth, MN 55447 USA

Nilfisk-Advance A/S
 Sognevej 25
 DK-2605 Brøndby, Denmark



www.nilfisk-advance.com

© 2004 Printed in USA