

SPEED



Part List

US-English

31-10-2007

Nilfisk ALTO

Why Compromise

Table of Contents

SPEED

Spray handle compl.	3
Cabinet	5
Motor	7

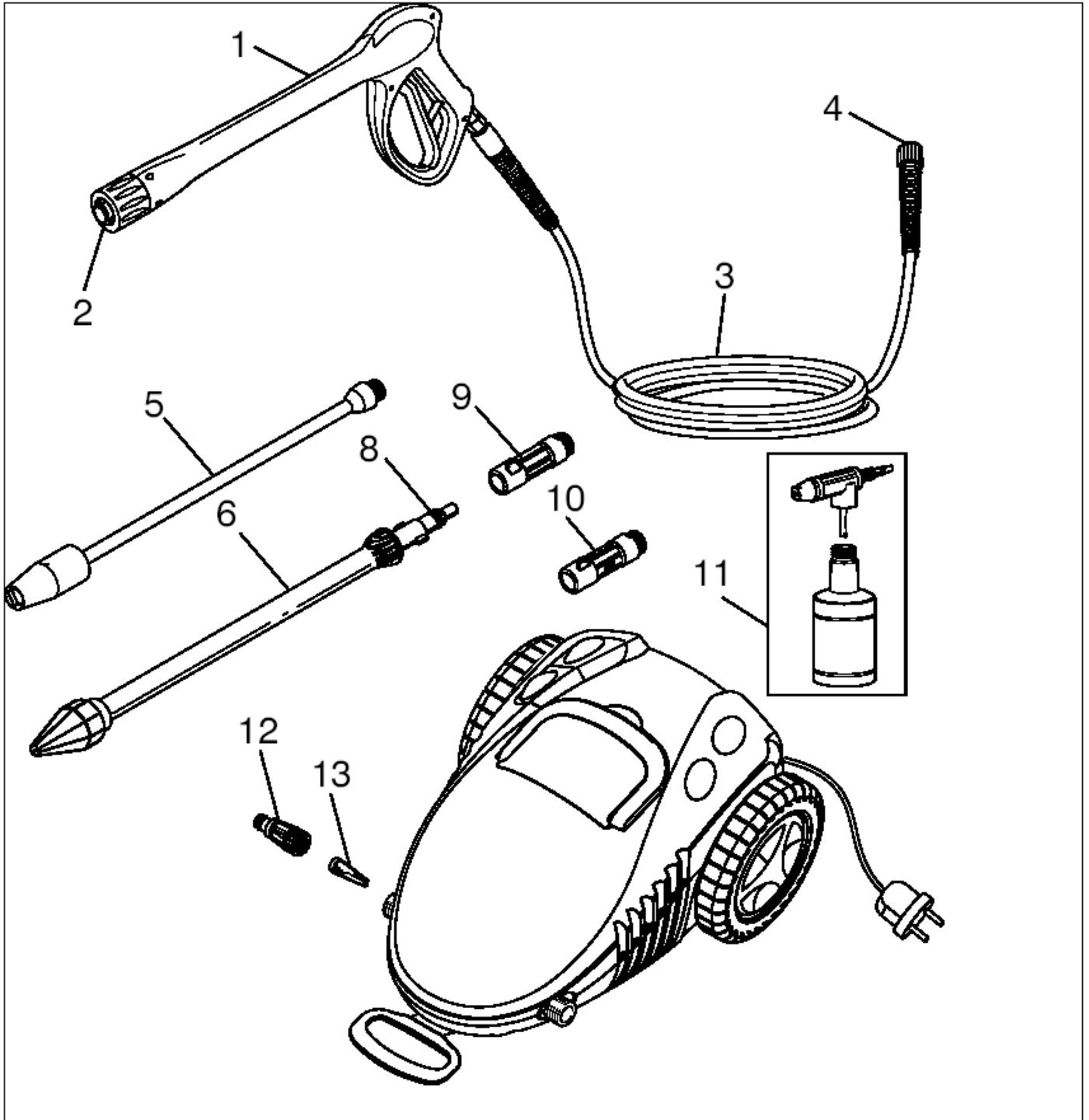
Spray handle compl.

SPEED

31-10-2007

Part List ID
SPEED02

3



Spray handle compl.

SPEED

31-10-2007

Part List ID

SPEED02

4

Pos	Part no.	Qty	Description	EAN
1	106481321	1	SPRAY HANDLE, COMPL.	5701715319
2	106481300	1	O-RING	5701715319
3	106481301	1	HOSE, COMPL.	5701715321
4	106481302	1	O-RING	5701715319
5	106481303	1	ADJUSTABLE NOZZLE	5701715321
6	126486841	1	POWERSPEED NOZZLE	5701715422
8	106481322	1	O-RING	5701715319
9	106481306	1	SCREW IN NOZZLE ADAPTOR	5701715319
10	106481307	1	SCREW IN NOZZLE ADPATOR ALTO	5701715319
11	126486828	1	FOAM SPRAYER + BOTTLE	5701715418
12	106481308	1	WATER INLET CONNECTOR	5701715321
13	6481094	1	STRAINER	5701715268

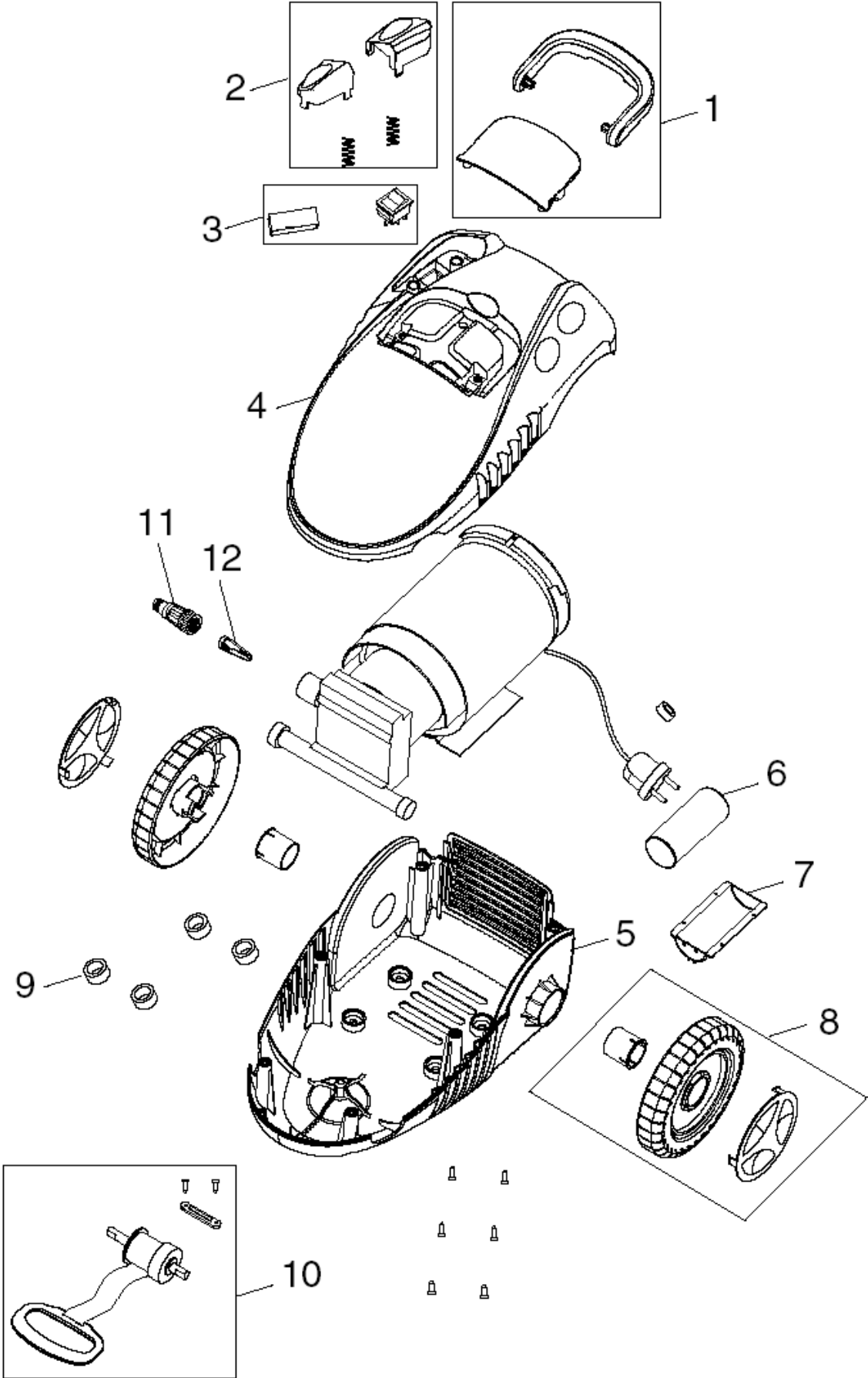
Cabinet

SPEED

31-10-2007

Part List ID
SPEED04

5



Cabinet SPEED

31-10-2007

Part List ID
SPEED04

6

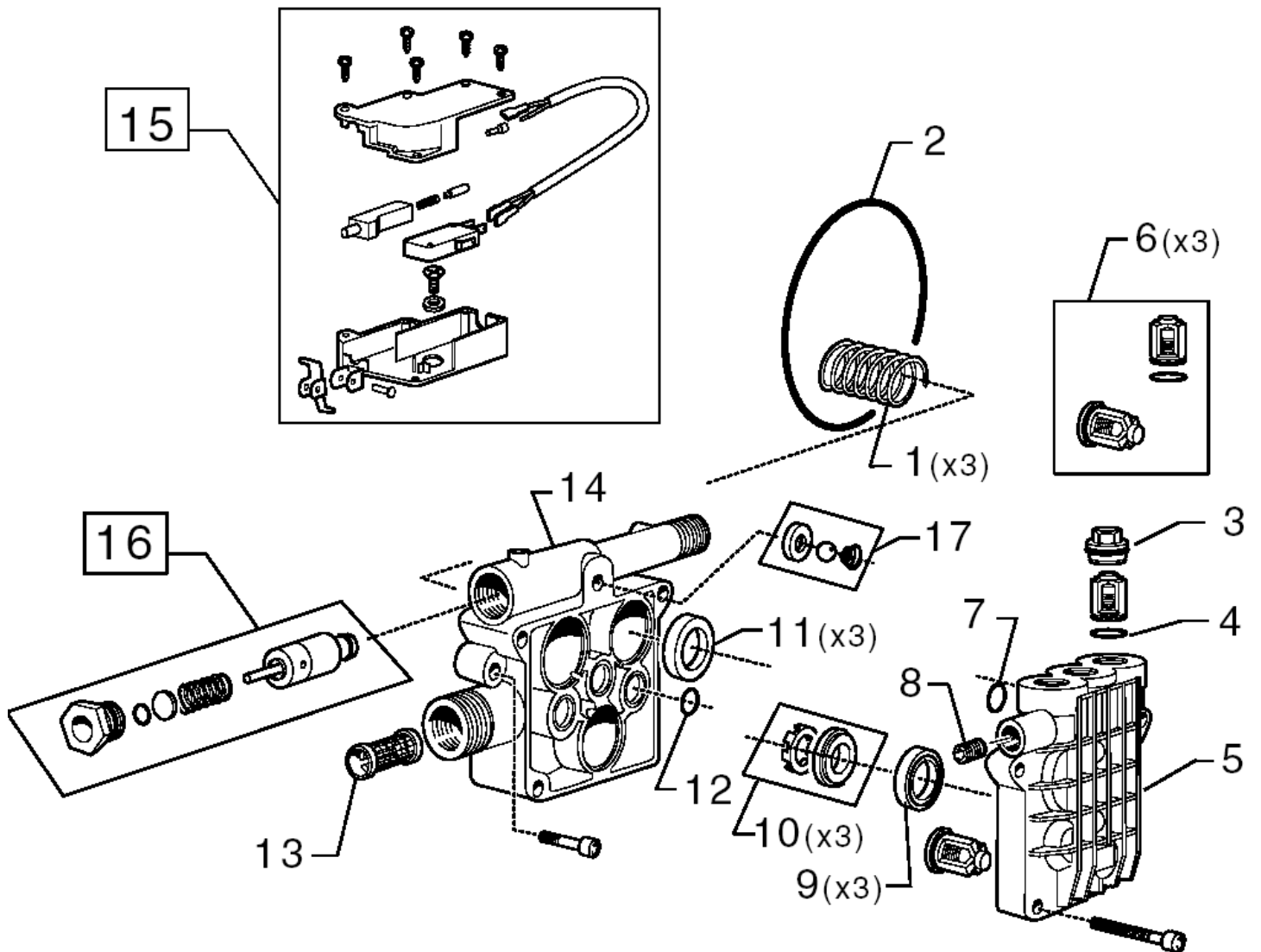
Pos	Part no.	Qty	Description	EAN
1	106481311	1	CARRYING HANDLE	5701715321
2	106481310	1	BUTTONS, COMPL.	5701715321
3	106481309	1	SWITCH COMPL.	5701715319
4	106481312	1	CABINET TOP	5701715323
5	106481313	1	CABINET BOTTOM COMPL.	5701715319
6	106481314	1	CAPACITOR 25 μ F	5701715321
7	106481315	1	SUPPORT FOR CAPACITOR	5701715321
8	106481323	1	WHEEL KIT	5701715321
9	106481316	1	RUBBER RING	5701715321
10	106481324	1	PULLING HANDLE	5701715321
11	106481308	1	WATER INLET CONNECTOR	5701715321
12	6481094	1	STRAINER	5701715268
13	1813419	6	PT-SCREW	5701715008

Motor SPEED

31-10-2007

Part List ID
SPEED06

7



Motor SPEED

31-10-2007

Part List ID
SPEED06

8

Pos	Part no.	Qty	Description	EAN
1	106481875	1	SPRING FOR PISTON (X3)	5701715323
2	106481873	1	O-RING	5701715323
3	106481878	3	SCREWED SEALING PLUG	5701715323
4	3002029	3	O-RING 12.42X1.78 NITRIL 70 SH	5701715038
5	106481318	1	CYLINDER HEAD	5701715321
6	6481088	1	REP. KIT VALVES	5701715268
7	3001799	1	O-RING 10,3 X 2,4 SMS	5701715038
8	1602333	1	PLUG G1/8	5701715024
9	6481090	1	REP. KIT WATER SEALS	5701715268
10	106481319	1	REP.KIT, SEALS	5701715321
11	6481089	1	REP. KIT OIL SEALS	5701715268
12	3003688	3	O-RING 11,11X1,78 NITRIL	5701715038
13	6481094	1	STRAINER	5701715268
14	106481317	1	CYLINDER BLOCK	5701715321
15	106481325	1	MICRO SWITCH S/S, COMPL.	S/S 5701715324
16	106481326	1	KIT, AUTOMATIC S/S VALVE	5701715325
17	106481328	1	KIT, NON-RETURN VALVE	5701715348