

SCORPION 1220H



Part List

US-English

07-12-2007

Nilfisk
ALTO

Why Compromise

Table of Contents

SCORPION 1220H

Cabinet	3
Motor Compl.	6
Pump from feb. 1995	8
Pump up to feb. 1995	10
Electrical Component	12
Boiler	14
Water inlet/outlet	17
Fuel Tank	19

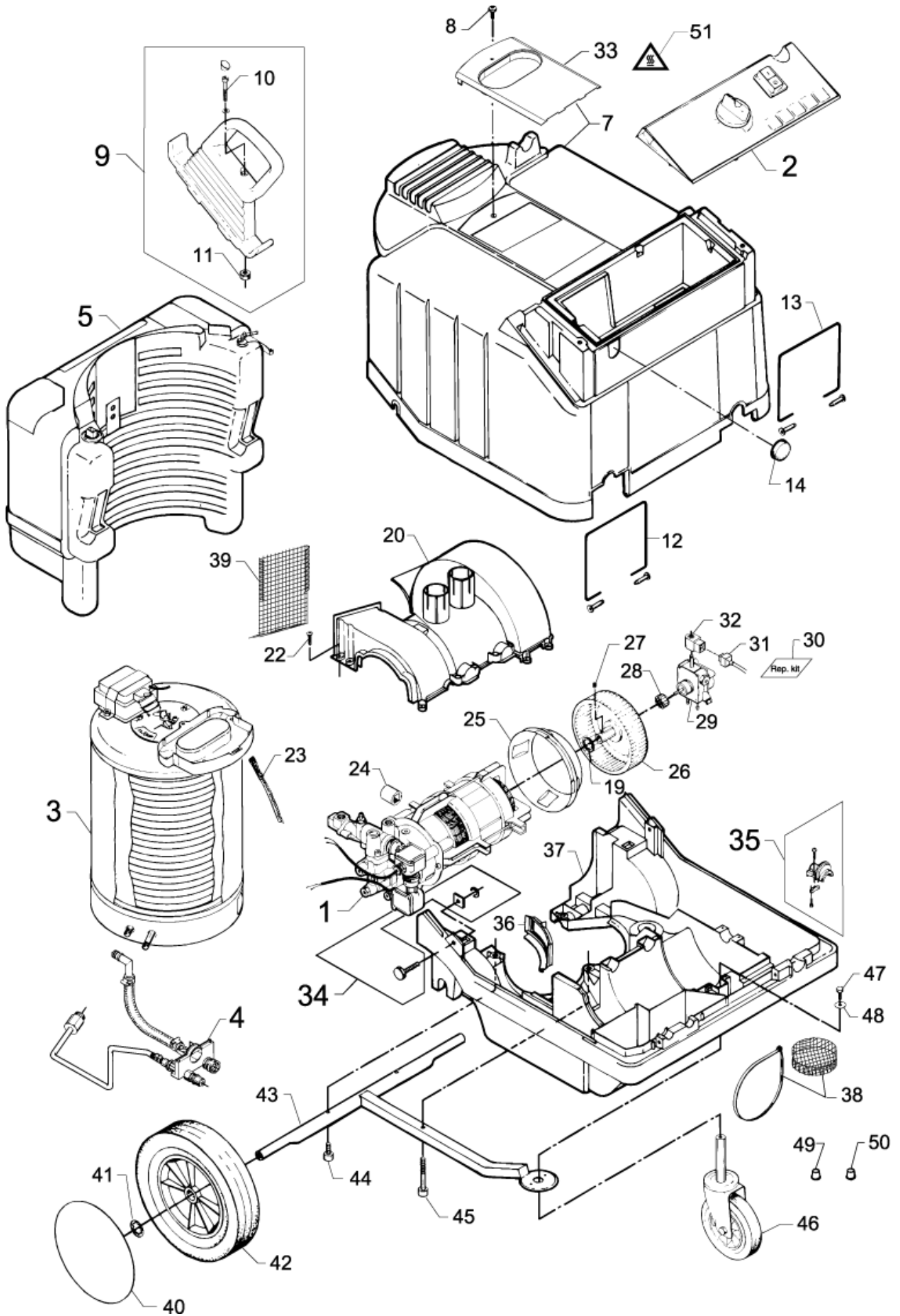
Cabinet

SCORPION 1220H

07-12-2007

Part List ID
SCO122002

3



Cabinet

SCORPION 1220H

07-12-2007

Part List ID
SCO122002

4

Pos	Part no.	Qty	Description	EAN
1		1	USE LINK Motor pump unit	
2		1	USE LINK Electrical components	
3		1	USE LINK Boiler	
4		1	USE LINK Water inlet /outlet	
5		1	USE LINK Fuel tank	
7	6185942	1	HOUSING WITH BOILER SCREE	5701715236
8	6184116	1	SCREW M6X14	5701715078
9	1119211	1	REP.KIT STEERING HANDLE	5701715019
10	1813385	2	SCREW, 8X60 DIN 912 8.8 GALV	5701715030
11	6184920	2	NUT	5701715008
12	6184938	1	HINGE	5701715079
13	6184937	1	HINGE	5701715079
14	6184094	1	START/STOP BUTTON.	5701715015
19	6184408	1	SPACER	5701715078
20	6184056	1	HOUSING FOR FAN	5701715078
22	1813989	20	SCREW EJOT- KB35X16 WN	5701715008
23	6184736	1	BELT	5701715078
24	6184676	4	VIBRATION DAMPER	5701715078
25	6184404	1	AIR-FUNNEL	5701715078
26	6184405	1	BLOWER WHEEL	5701715015
27	1800325	1	CRA TER-POINT SCREW M8X10	5701715026
28	6184279	1	COUPLING	5701715078
29	3821321	1	FUEL PUMP, DANFOSS 220V (DANFOSS)	5701715044
30	1119214	1	REP.KIT FOR SUNTEC FUEL PUMP (SUNTEC)	5701715019
30	1119217	1	REPAIR KIT (DANFOSS)	5701715019
31	6241838	1	CABLE F. OIL-PUMP, COMPL.	5701715121
32	3819919	1	COIL FOR SUNTEC OILPUMP 2	5701715044
33	6184329	1	BOILER SHIELD FROM 15.02.99	5701715236
34	1119218	1	REPAIR KIT FOR HOUSING	5701715019
35	1119219	1	REPAIR KIT	5701715019
36	6184403	1	FAN GASKET	5701715078
37	6184058	1	CHASSIS	5701715013
40	6184136	1	HUP CAP ALTO BLUE	5701715236
41	1813799	2	SPRING PLATE WASHER	5701715031
42	6184074	1	WHEEL Ø300	5701715078
43	6184200	1	WHEEL BRACKET	5701715078
44	1802636	2	SCREW M6X12	5701715028
45	1814573	1	SCREW M6X35	5701715117
46	6241052	1	GUIDE ROLLER	5701715114
47	2753	1	SCREW M8X20	4005337027
48	1813377	1	WASHER 8.4X25X2	5701715030
49	4601027	3	PLUG NO. 20, BLACK	5701715046
50	4601035	2	PLUG NO..27, BLACK	5701715046

<h1>Cabinet</h1> <p>SCORPION 1220H</p>	07-12-2007
	Part List ID SCO122002
	5

Pos	Part no.	Qty	Description	EAN
51	4210066	1	WARNING LABEL HEAT TRANS	5701715271

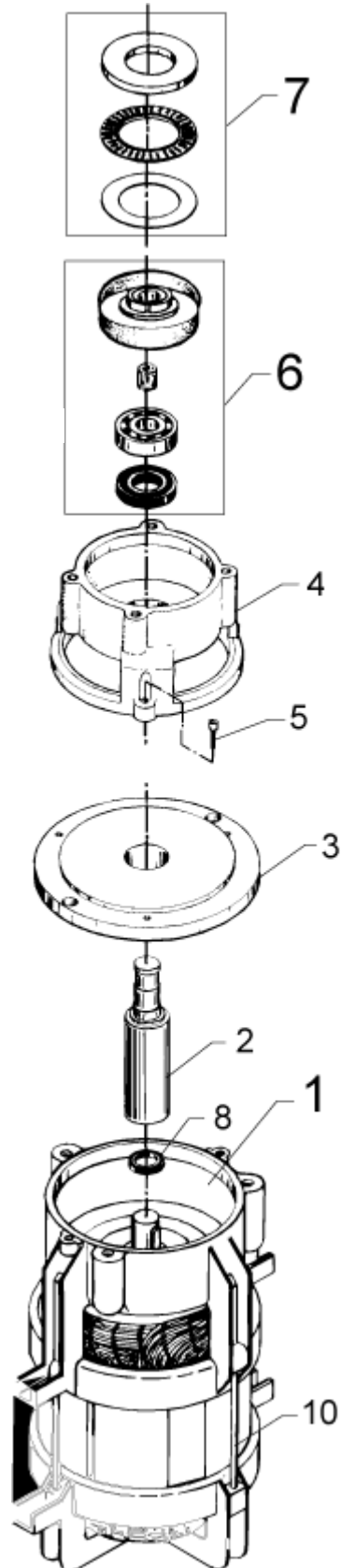
Motor Compl.

SCORPION 1220H

07-12-2007

Part List ID
SCO122004

6



Motor Compl.

SCORPION 1220H

07-12-2007

Part List ID
SCO122004

7

Pos	Part no.	Qty	Description		EAN
1	6183377	1	MOTOR 2.3KW 50HZ 1X240V	1X240 V/ 1X230 V, 50HZ	5701715013
1	6183379	1	MOTOR 2.3KW 50HZ 1X220V	1X220 V, 50HZ	5701715078
2	6122611	1	ADAPTOR FOR SHAFT		5701715068
3	6241650	1	FLANGE		5701715088
4	6122459	1	FRONT BEARING COVER, COMPL.		5701715013
5	1814144	3	SCREW M4X16, DECROMAT		5701715031
6	6124323	1	WOBBLE DISC. 12A REP.KIT		5701715070
7	6122653	1	BEARING REP. KIT		5701715068
8	1119671	1	SEALING RING F. SHAFT REP.KIT		5701715021
10	6180939	4	STUD		5701715311

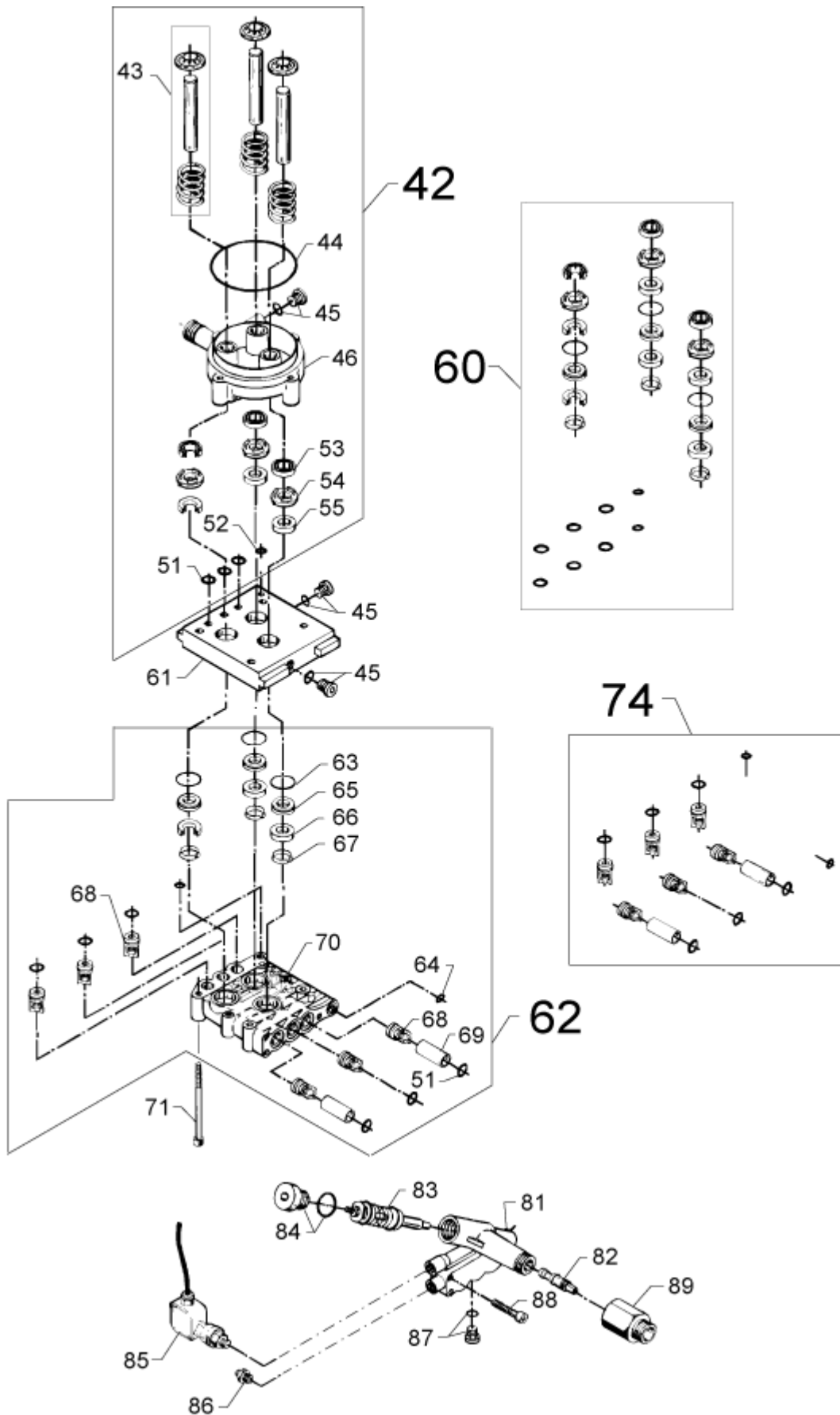
Pump from feb. 1995

SCORPION 1220H

07-12-2007

Part List ID
SCO122008

8



Pump from feb. 1995

SCORPION 1220H

07-12-2007

Part List ID
SCO122008

9

Pos	Part no.	Qty	Description	EAN
42	6125545	1	CYLINDER BLOCK, COMP. SCORPION	5701715071
43	6124336	3	PISTON REP. KIT	5701715071
44	3003654	1	O-RING 80X2 NITRIL	5701715038
45	6122313	3	PLUG WITH O-RING	5701715003
46	7181005	1	CYLINDER BLOCK	5701715138
51	3004222	12	O-RING 15.1 X 1.6 NITRIL SH 90	5701715014
52	3001823	2	O-RING 6.1X1.6 NITRIL 70 SH	5701715038
53	3003696	3	OIL SLEEVE	5701715038
54	6122486	3	THRUST COLLAR	5701715068
55	3004231	3	GASKET 22X14X5,5	5701715039
60	6124335	1	SEALINGSYSTEM REP.KIT	5701715071
61	6124195	1	INTERMEDIATE PLATE	5701715070
62	6125547	1	CYLINDER HEAD COMP. SCORPION	5701715071
63	3004230	3	O-RING 22,22X2,62	5701715039
64	3003688	1	O-RING 11,11X1,78 NITRIL	5701715038
65	6124141	3	CENTERING RING	5701715070
66	3004227	3	U-SLEEVE	5701715039
67	3004228	3	WS-RING	5701715039
68	7180906	6	VALVE COMPL.	5701715117
69	6122475	2	SPACER FOR VALVE	5701715068
70	6124243	1	CYLINDER HEAD	5701715121
71	1813872	4	SCREW M6X85	5701715031
74	1119707	1	VALVE SYSTEM REP.KIT	5701715116
			FROM 30.09.96	
74	6124342	1	REP.KIT VALVE SYSTEM	5701715015
			UP TO 30.09.96	
81	6124239	1	VALVE HOUSING, SCORPION	5701715070
82	6124310	1	STEERING NOZZLE, COMPL.	5701715070
83	6124303	1	VALVE F. BY-PASS VALVE	5701715070
84	6124334	1	PLUG W. O-RING	5701715071
85	6241828	1	PRESSURE SWITCH, COMPL.	5701715088
86	1603422	1	THREADED CONNECTION	5701715024
87	6180913	1	HOLE PLUG W. O-RING	5701715077
88	1814573	3	SCREW M6X35	5701715117
89	1601020	1	CONNECTING PIECE	5701715023

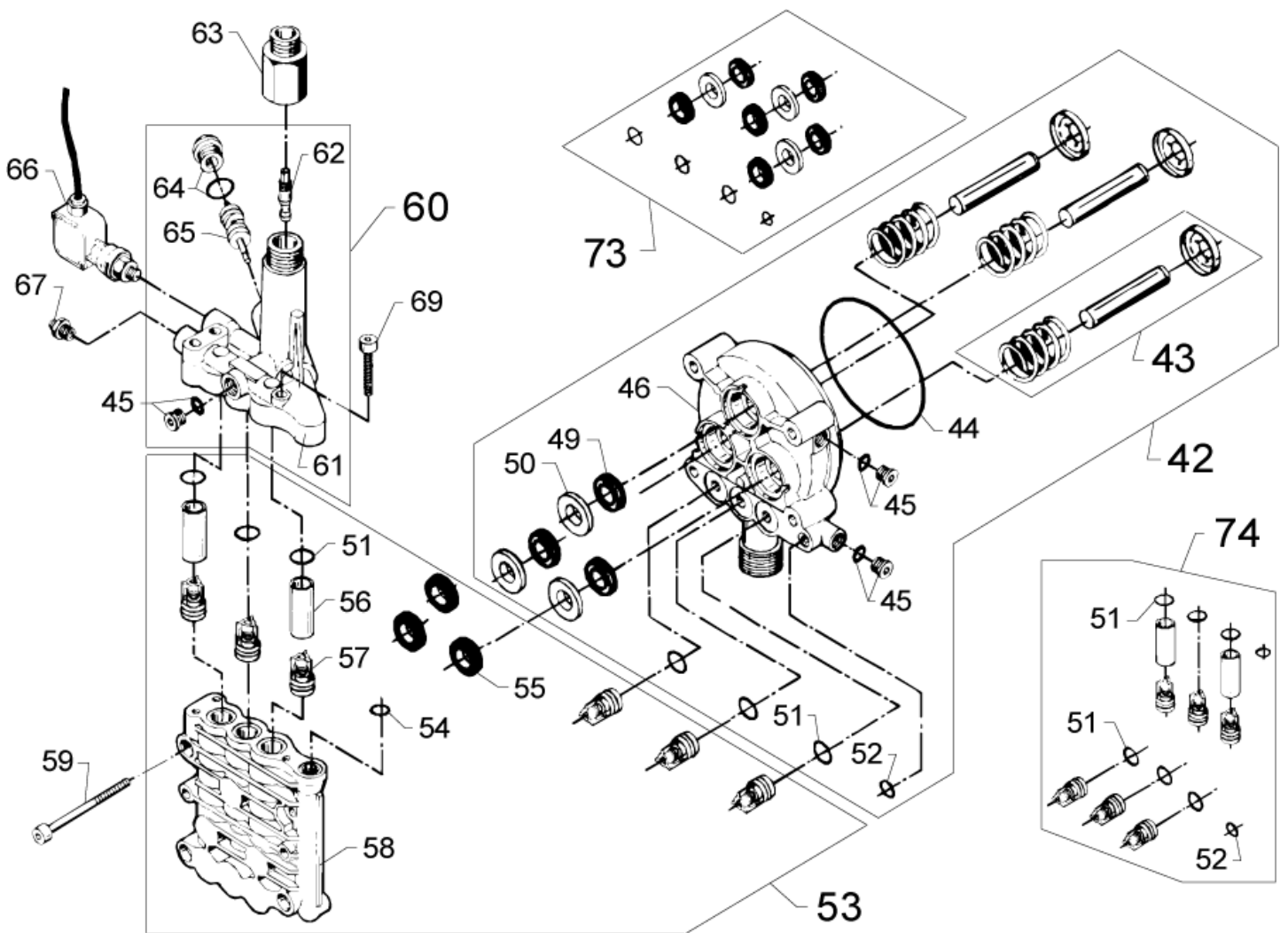
Pump up to feb. 1995

SCORPION 1220H

07-12-2007

Part List ID
SCO122010

10



Pump up to feb. 1995

SCORPION 1220H

07-12-2007

Part List ID
SCO122010

11

Pos	Part no.	Qty	Description	EAN
42	6128285	1	CYLINDER BLOCK, COMPL.	5701715073
43	6123721	3	PISTON REP.KIT	5701715070
44	3003654	1	O-RING 80X2 NITRIL	5701715038
45	6122313	3	PLUG WITH O-RING	5701715003
46	7181005	1	CYLINDER BLOCK	5701715138
49	3003696	3	OIL SLEEVE	5701715038
50	6122486	3	THRUST COLLAR	5701715068
51	3004222	6	O-RING 15.1 X 1.6 NITRIL SH 90	5701715014
52	3001823	1	O-RING 6.1X1.6 NITRIL 70 SH	5701715038
53	6122319	1	CYLINDER HEAD, COMPL.	5701715068
54	3003688	1	O-RING 11,11X1,78 NITRIL	5701715038
55	3001914	3	U-SLEEVE	5701715038
56	6122475	2	SPACER FOR VALVE	5701715068
57	6122318	6	VALVE, COMPL.	5701715068
58	6124243	1	CYLINDER HEAD	5701715121
59	1809862	4	SCREW M6X65	5701715030
60	6128284	1	BY-PASS VALVE, COMPL.	5701715073
61	6122536	1	VALVE HOUSING	5701715008
62	6122365	1	STEERING NOZZLE GREEN	5701715068
63	1601020	1	CONNECTING PIECE	5701715023
64	6122312	1	PLUG WITH O-RING	5701715003
65	6124303	1	VALVE F. BY-PASS VALVE	5701715070
66	6241828	1	PRESSURE SWITCH, COMPL.	5701715088
67	1603422	1	THREADED CONNECTION	5701715024
69	1814573	3	SCREW M6X35	5701715117
73	6123720	1	SEALING SYSTEM REP.KIT	5701715070
74	6122655	1	VALVE SYSTEM REP.KIT	5701715068

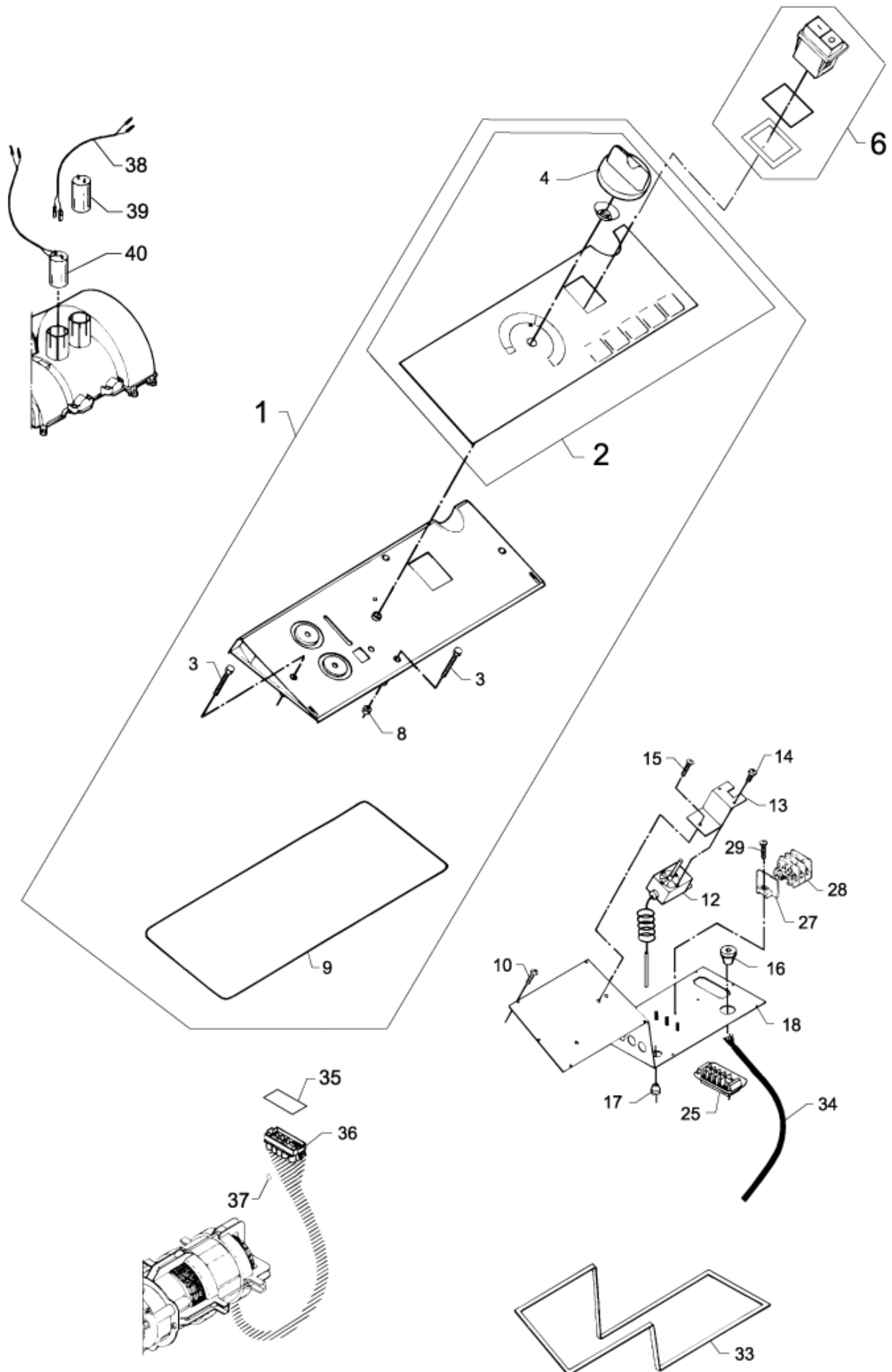
Electrical Component

SCORPION 1220H

07-12-2007

Part List ID
SCO122012

12



Electrical Component

SCORPION 1220H

07-12-2007

Part List ID
SCO122012

13

Pos	Part no.	Qty	Description	EAN
1	1119444	1	REP.KIT CONTROL PANEL 1220H	5701715240
1	1119445	1	REP.KIT CONTROL PANEL SCORPION	5701715240
2	1119446	1	REP.KIT SWITCHES/LABEL SCORP.	5701715240
2	1119447	1	REP.KIT SWITCHES/LABEL 1220H	5701715240
3	1813666	4	SCREW M5X45	5701715031
4	6180920	1	TEMPERATURE BUTTON	5701715114
6	1119669	1	REP KIT SCORPION SWITCH	5701715021
8	1813195	4	NUT M5 DIN	5701715030
9	6184110	1	GASKET	5701715078
10	1813989	12	SCREW EJOT- KB35X16 WN	5701715008
12	3821226	1	THERMOSTAT W. SWITCH	5701715044
13	6241733	1	FITTING	5701715088
14	1800391	2	SCREW M4X6 GALV. DIN 7985	5701715026
15	1800945	2	SCREW B6X13	5701715027
16	3803780	1	GROMMET 10-14C	5701715007
17	3803798	1	RUBBER SEAL 14-20C	5701715007
18	6241827	1	MOUNTING PLATE	5701715088
25	3820206	1	MOTOR PLUG, DELTA CONNECT	5701715044
27	3821355	3	TERMINAL CLIP PA80V/F	5701715044
28	3821356	1	END STOP PA81	5701715044
29	1805852	2	SHEET METAL SCREW	5701715030
33	6184733	1	GASKET	5701715078
34	3805793	1	PLUG	EUR 5701715041
34	6180261	1	EL. CABLE H07RN-F 3G 1.5	5701715077
35	3821456	1	GASKET FOR MOTOR PLUG SOC	5701715044
36	3820230	1	MOTOR SOCKET (FEMALE)	5701715044
37	3820909	3	PLUG	5701715044
38	6180273	1	CABLE F. CAPACITOR L450	5701715077
39	3821139	1	CAPACITOR (START) 200-250	200-250 μ F 5701715044
40	3821427	1	CAPACITOR OPERATION 40 μ F	40 μ F 5701715044

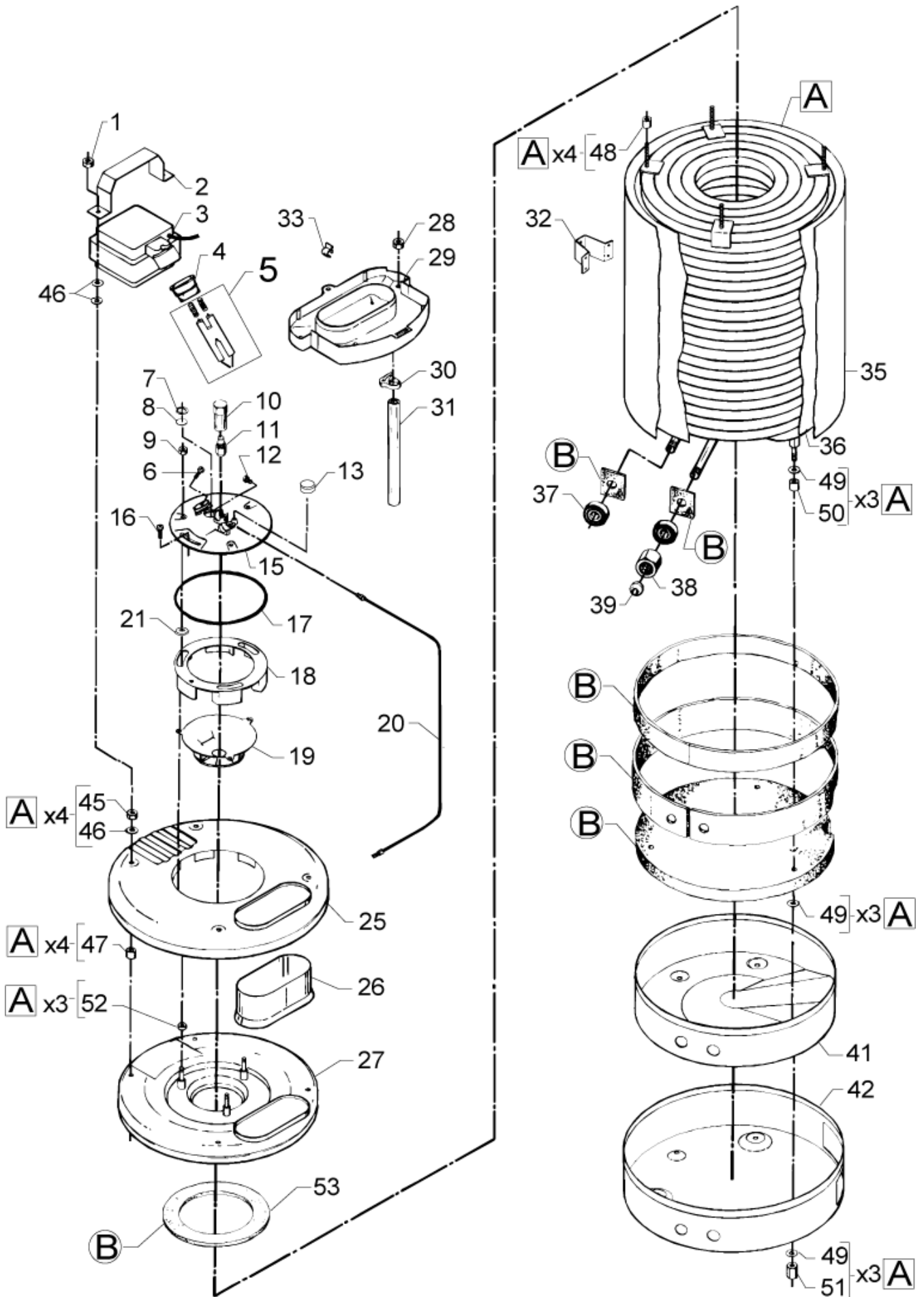
Boiler

SCORPION 1220H

07-12-2007

Part List ID
SCO122014

14



Boiler

SCORPION 1220H

07-12-2007

Part List ID
SCO122014

15

Pos	Part no.	Qty	Description	EAN
1	1803725	2	HEXAGON NUT M8	5701715028
2	6184290	1	FITTINGS	5701715078
2	6184842	1	IGNITION TRANSFORMER 220V 220V, 50-60HZ	5701715078
2	6184843	1	IGNITION TRANSFORMER 240V 240V, 50HZ	5701715008
4	6184729	1	CAP	5701715078
5	6184359	1	BRACKET ASSEMBLY FOR ELEC.	5701715078
6	1805464	1	SCREW	5701715029
7	1814611	1	CLIP.	5701715125
8	6184295	1	INSPECTION GLASS	5701715078
9	2760	3	HEXAGON NUT M5	4005337027
A	6184931	1	COIL	5701715078
B	1119236	1	REPAIR KIT FOR INSULATION	5701715008
10	6184400	1	NOZZLE SEAT	5701715078
11	2802647	1	OIL NOZZLE 1,1 GAL/H 4,2	5701715036
12	1803717	1	SCREW FOR NOZZLE	5701715028
13	6241900	1	PLUG	5701715088
15	6184272	1	BOILER COVER	5701715078
16	1813575	1	SCREW M5X12	5701715031
17	6184296	1	GASKET	5701715078
18	6184255	1	AIR THROTTLE	5701715078
19	6184350	1	AIR DISTRIBUTOR	5701715078
20	6184450	1	OIL PIPE, COMPLETE	5701715078
21	1807999	3	WASHER M5 5.3X10X1	5701715030
25	6184281	1	BOILER TOP, OUTER SECTION	5701715078
26	6184259	1	SMOKESTACK	5701715078
27	6184360	1	BOILER TOP, INNER SECTION	5701715078
28	1803725	2	HEXAGON NUT M8	5701715028
29	6184303	1	WATER SHIELD	5701715078
30	1813658	1	BAND CLAMP FITTING	5701715031
31	5206330	1	HOSE	5701715312
32	6184286	1	FITTING	5701715078
33	3821105	1	CABLE CLIP	5701715007
35	6184262	1	EXTERNAL JACKET FOR BOILE	5701715078
36	6185927	1	BOILER JACKET, INNER	5701715007
37	6184282	2	RUBBER SEAL	5701715078
38	6184288	1	UNION NUT	5701715078
39	6184287	1	NIPPLE	5701715078
40	6184250	1	BOILER BOTTOM, INNER	5701715078
41	6184254	1	BOILER BOTTOM, OUTER	5701715078
45	1803725	4	HEXAGON NUT M8	5701715028
46	1800796	4	WASHER M8	5701715027
47	6184275	4	SLEEVE	5701715078
48	6184293	4	SLEEVE	5701715078

Boiler

SCORPION 1220H

07-12-2007

Part List ID
SCO122014

16

Pos	Part no.	Qty	Description	EAN
49	1813567	9	WASHER	5701715031
50	6184275	3	SLEEVE	5701715078
51	6184276	3	NUT	5701715078
52	6184294	3	SLEEVE	5701715078
53	1119700	1	COIL GASKET	5701715114

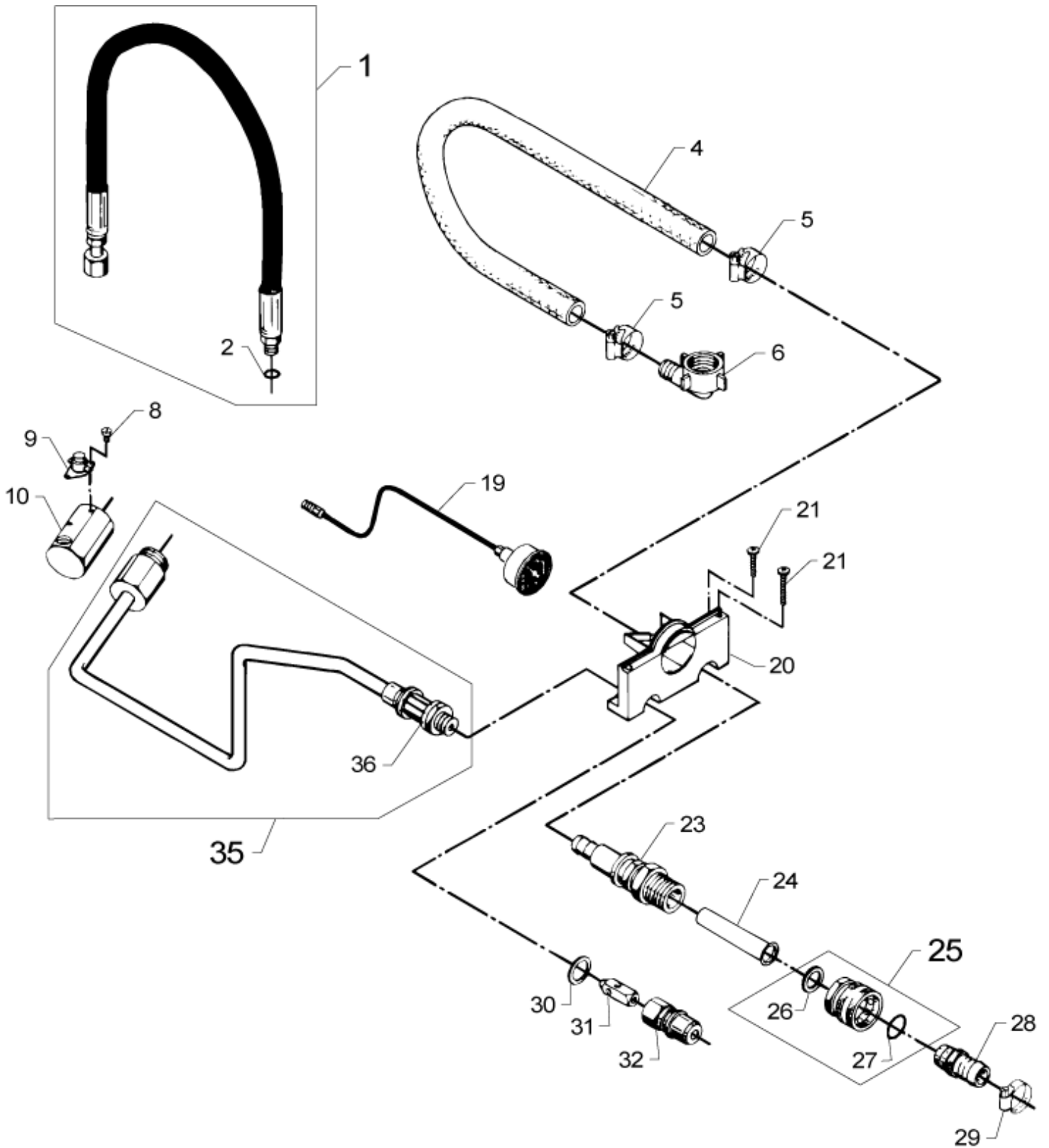
Water inlet/outlet

SCORPION 1220H

07-12-2007

Part List ID
SCO122016

17



Water inlet/outlet

SCORPION 1220H

07-12-2007

Part List ID
SCO122016

18

Pos	Part no.	Qty	Description	EAN
1	1450001	1	INTERNAL HIGH PRESSURE HOSE	5701715023
2	3000072	1	O-RING 10.1X1.6 NITRIL 70SH	5701715037
4	2406360	1	5/8" HOSE	5701715035
5	8298	2	HOSE CLIP 16-27	4005337082
6	1603036	1	SOCKET 1/2" X 3/4"	5701715024
8	1803139	2	SCREW M3X6	5701715028
9	3821228	1	THERMOSTAT W. SWITCH 60C	5701715044
10	6241250	1	SOCKET F. BOILER INLET	5701715088
19	6241556	1	PRESSURE GAUGE W. TUBE	5701715113
20	6184086	1	PRESSURE GAUGE BRACKET	5701715078
21	1813633	6	SCREW EYOT- KB35X25 WN	5701715031
23	6100937	1	FILTER HOUSING	5701715063
24	6100941	1	FILTER	5701715000
25	106402075	1	ERGO COUPLING FEMALE 3/8"	5701715294
26	3001237	1	GASKET Ø24,5XØ16X3	5701715037
27	3000320	1	O-RING 20X3 NITRIL	5701715037
28	1600659	1	NITO COUPLING HOSE END 3/4"	5701715023
29	8298	1	HOSE CLIP 16-27	4005337082
30	1801075	1	PACKING RING Å?23,8XÅ?17,2	5701715027
31	6101038	1	PISTON	5701715063
32	1600493	1	ERGO COUPLING MALE 3/8	5701715023
32	1603101	1	ERGO COUPLING MALE S.S3/8"	SS 5701715024
35	1119272	1	REPAIR KIT	5701715020
36	6184477	1	RUBBER BUSHING	5701715078

Fuel Tank

SCORPION 1220H

07-12-2007

Part List ID
SCO122018

20

Pos	Part no.	Qty	Description	EAN
1	6184097	1	COVER FOR FILTER	5701715078
2	1119237	1	COVER KIT FOR FUEL TANK	5701715020
3	1119238	1	REPAIR KIT FOR FILTER HOUSING	5701715020
4	1119239	1	REPAIR KIT	5701715113
7	6184101	1	HOSE CLIP	5701715078
8	5226220	1	HOSE D6X2,5 LENGTH IN METERS	5701715208
9	2450006	1	FUEL HOSE 1200MM	5701715035
D	6184932	1	FUEL TANK ASSEMBLY	5701715078
10	6184100	1	FUEL FILTER	5701715078
11	3003944	2	O-RING 57,0 X 4,0 DIN	5701715038
12	6184094	1	START/STOP BUTTON.	5701715015
21	1604222	1	STRAINER	5701715025
22	2601565	2	SPRING LOCK	5701715035
24	1810084	1	HOSE CLIP Ø10,8/12,3	5701715007
25	6184117	1	SPONGE RUBBER	5701715078