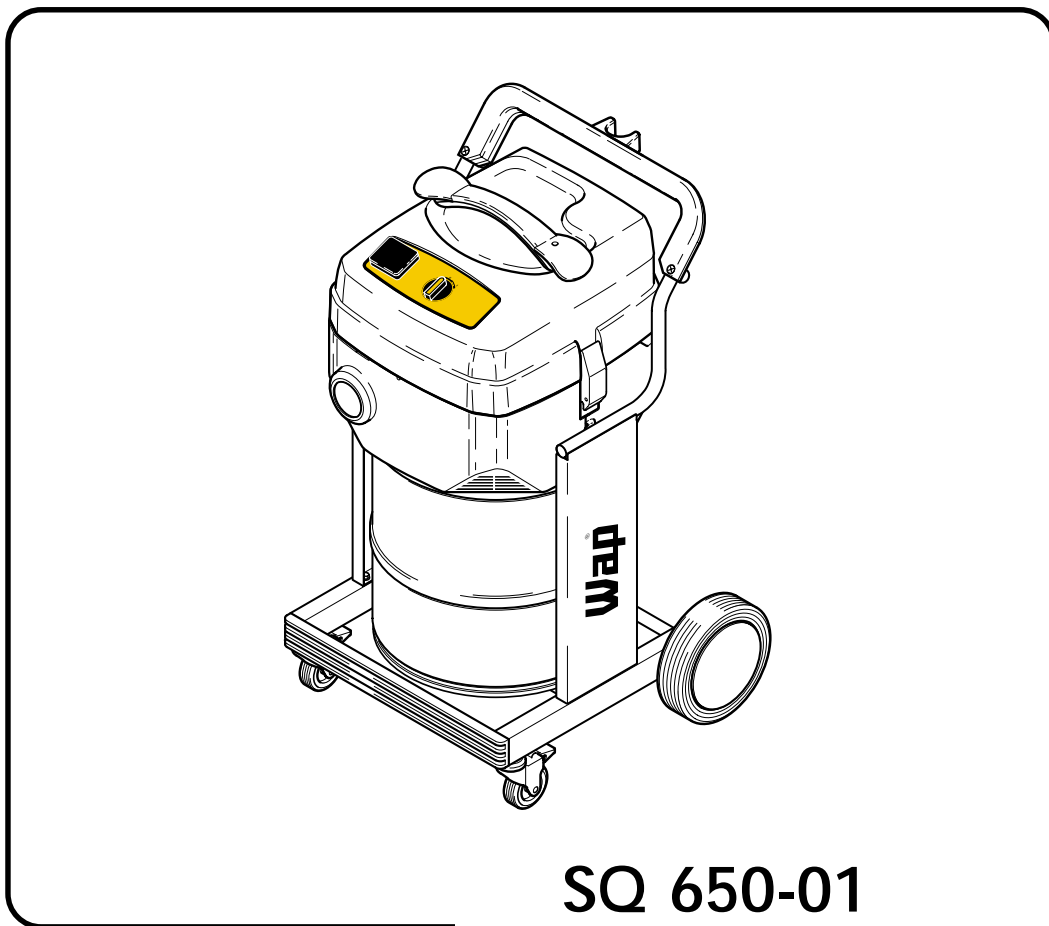




**Ersatzteilliste**  
**Spare Parts List**  
**Pièces détachées**



**SQ 650-01**

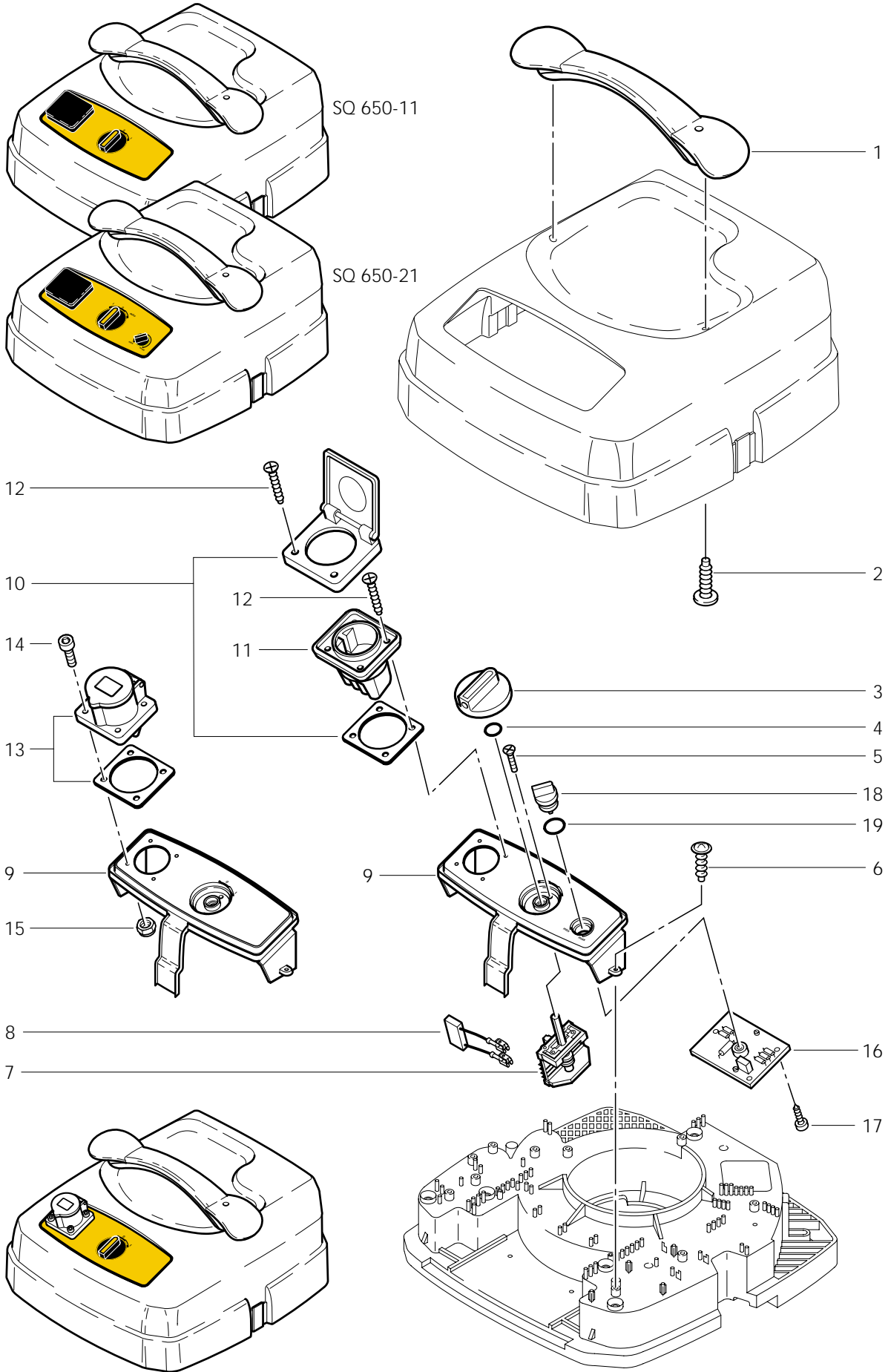
**SQ 650-11**

**SQ 650-21**

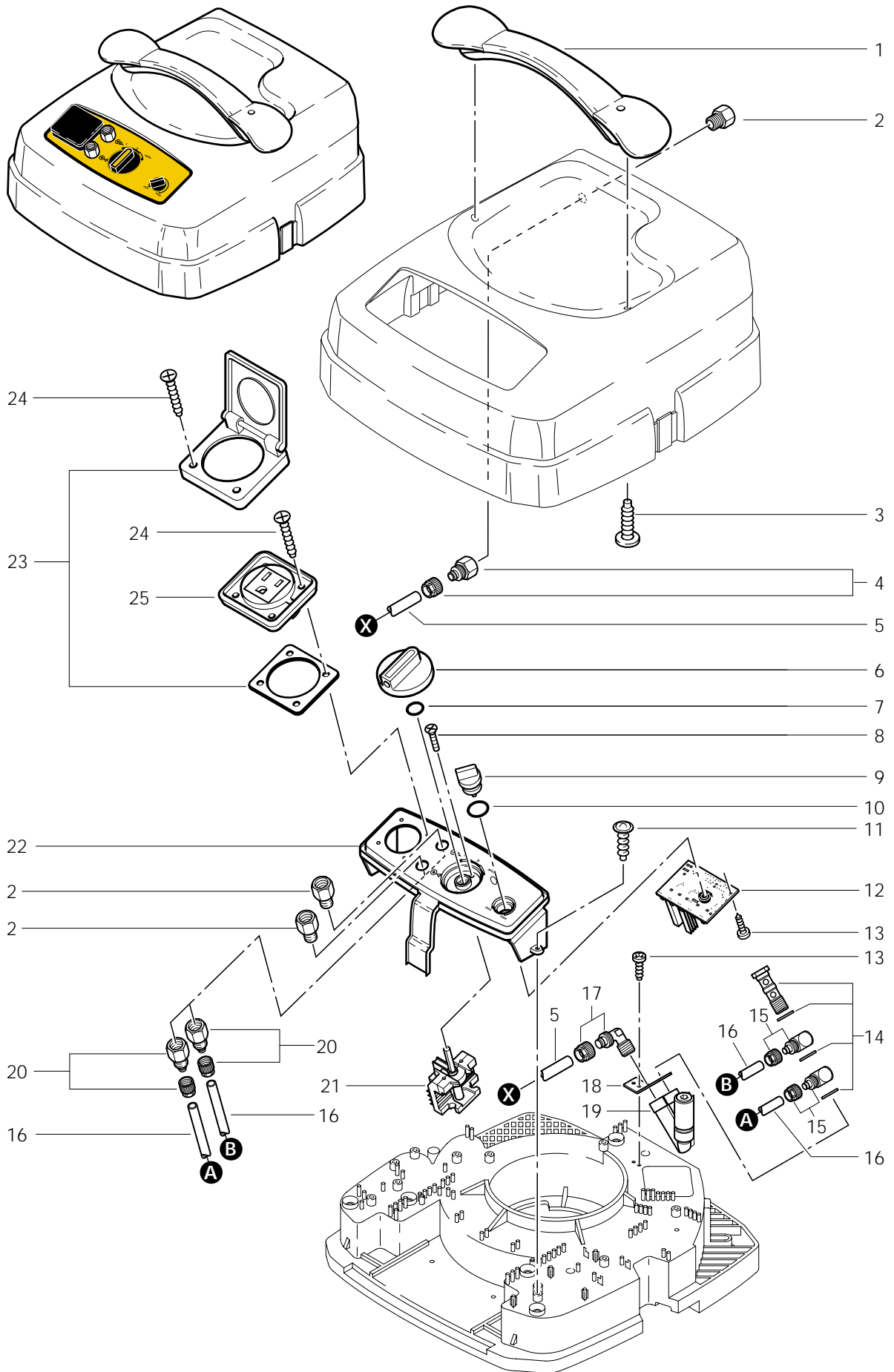
**SQ 651-11**

**SQ 17 Gallon AS/PE2**

SQ650-01  
SQ650-11  
SQ650-21  
SQ651-11



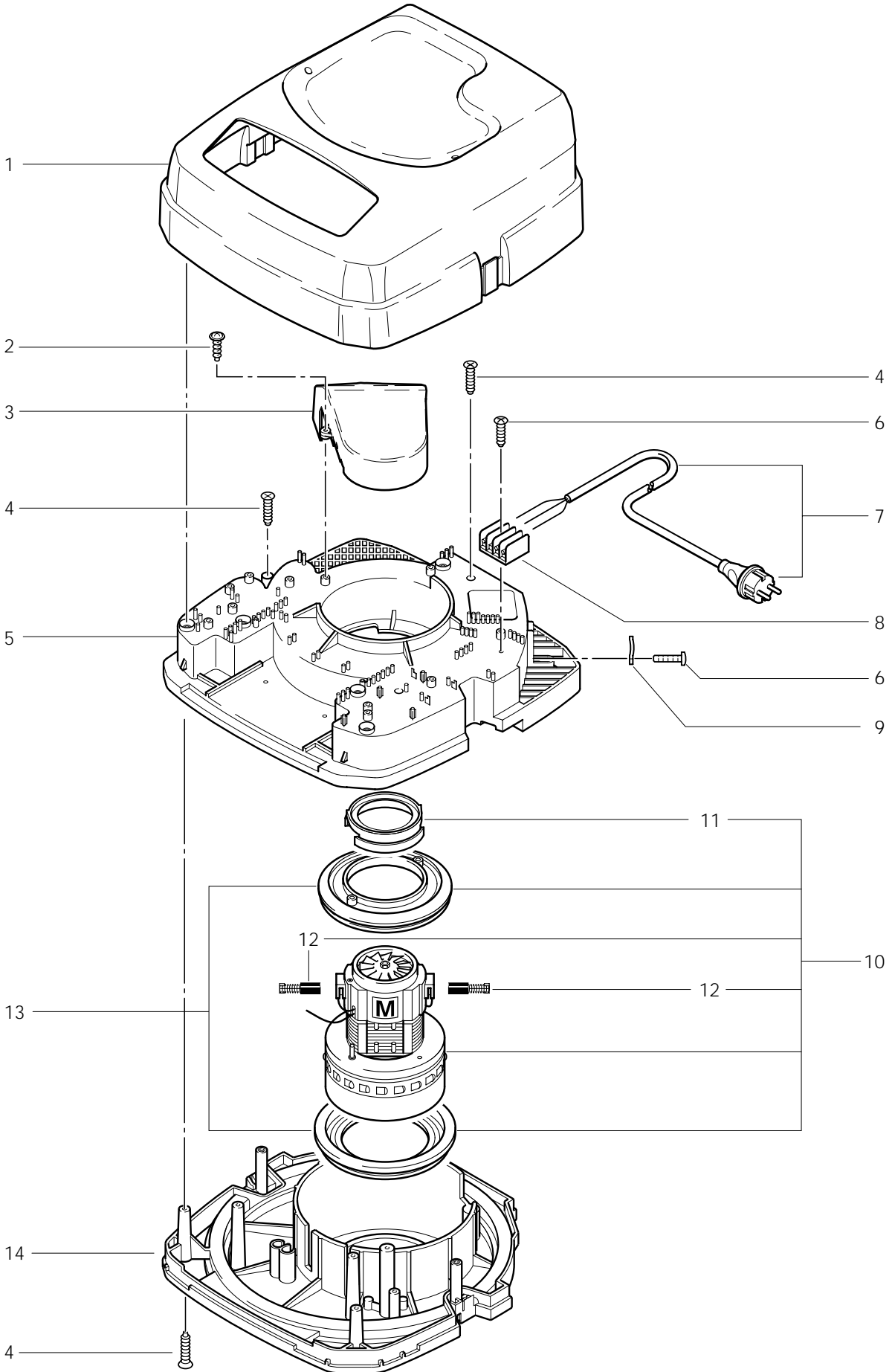
| POS. | NO.    | BEZEICHNUNG                                       | DESCRIPTION                | DESIGNATION                       |
|------|--------|---|----------------------------|-----------------------------------|
| 1    | 26801  | Griff   | Handle                     | Poignée                           |
| 2    | 10029  | Schraube KA50x25                                  | STEEL SCREW F.SYNTH,MAT.   |                                   |
| 3    | 243606 | Drehknopf   | Turning knob               | Bouton                            |
| 4    | 9868   | O-Ring 10x2,5                                     | O-Ring 10x2,5              | Joint torique 10x2,5              |
| 5    | 18274  | Schraube Senk- M 4x 12                            | Countersunk screw M4x12    | Vis à tête fraisée M4x12 DIN 9134 |
| 6    | 11254  | Schraube KA3,5x10                                 | Screw PT 3,5x10            | Vis autotaraudeuse PT 3,5x10      |
| 7    | 29989  | Schalter<br>SQ 650-01, SQ 650-11, SQ 651-11       | Switch                     | Interrupteur                      |
|      | 48728  | Schalter<br>SQ 650-21                             | Switch                     | Interrupteur                      |
| 8    | 48338  | Entstörfilter<br>SQ 650-01, SQ 650-11, SQ 651-11  | Screening filter           | Filtre antiparasite               |
| 9    | 28626  | Schaltkasten<br>SQ 650-01                         |                            |                                   |
|      | 29755  | Schaltkasten<br>SQ 650-11, SQ 651-11              | Control panel              | Console de commande               |
|      | 29756  | Schaltkasten<br>SQ 650-21                         | Control panel              | Console de commande               |
| 10   | 46297  | Klappdeckelrahmen                                 | Hinged cover frame         | Cadre de couvercle rabattant      |
| 11   | 46296  | Steckdose *D*<br>*EU*                             | Plug socket *D*            | Prise électrique *D*              |
|      | 48278  | Steckdose *GB*<br>*GB,230V*                       | Plug socket *GB*           | Prise électrique *GB*             |
|      | 48287  | Steckdose *CH*                                    | Plug socket *CH*           | Prise électrique *CH*             |
| 12   | 46248  | Schraube KA35x18                                  | Screw PT 3,5x18            | Vis autotaraudeuse PT 3,5x18      |
| 13   | 43238  | Steckdose Cee 2p+Pe1 10/16<br>SQ 650-11 *GB,110V* |                            |                                   |
| 14   |        | Zyl. Schraube M 5x 20 A2<br>SQ 650-11 *GB,110V*   |                            |                                   |
| 15   |        | Mutter M 5<br>SQ 650-11 *GB,110V*                 | Hexagon nut M5 DIN 985     | Ecrou 6 pans M5 DIN 985           |
| 16   | 28816  | Einschaltautomatik<br>SQ 650-21                   | Autom.switch on/off system | Disp. autom. mise en marche       |
| 17   | 4036   | Schraube Bl- 2,9x 9,5<br>SQ 650-21                | Sheet metal screw 2,9x9,5  | Vis autotaraudeuse 2,9x9,5        |
| 18   | 43694  | Drehknopf<br>SQ 650-21                            | Turning knob               | Bouton                            |
| 19   | 32257  | O-Ring 21,0 x1,5<br>SQ 650-21                     | O-Ring 21,0x1,5            | Joint torique 21,0x1,5            |



| POS. | NO.   | BEZEICHNUNG                 | DESCRIPTION               | DESIGNATION                   |
|------|---|-----------------------------|---------------------------|-------------------------------|
| 1    | 26801   | Griff                       | Handle                    | Poignée                       |
| 2    | 25437   | Nippel Red.-                |                           |                               |
| 3    | 10029   | Schraube KA50x25            | STEEL SCREW F.SYNTH,MAT.  |                               |
| 4    | 25434   | Verschraubung               |                           |                               |
| ◇    | 5   | Schlauch DN 8               |                           |                               |
| 6    | 243606  | Drehknopf                   | Turning knob              | Bouton                        |
| 7    | 9868  | O-Ring 10x2,5               | O-Ring 10x2,5             | Joint torique 10x2,5          |
| 8    | 18274   | Schraube Senk- M 4x 12      | Countersunk screw M4x12   | Vis à tête fraisée M4x12 DIN  |
| 9    | 43694   | Drehknopf                   | Turning knob              | Bouton                        |
| 10   | 32257   | O-Ring 21,0 x1,5            | O-Ring 21,0x1,5           | Joint torique 21,0x1,5        |
| 11   | 11254   | Schraube KA3,5x10           | Screw PT 3,5x10           | Vis autotaraudeuse PT 3,5x10  |
| 12   | 25999   | Einschaltautomatik 100-120V |                           |                               |
| 13   | 4036  | Schraube Bl- 2,9x 9,5       | Sheet metal screw 2,9x9,5 | DI Vis autotaraudeuse 2,9x9,5 |
| 14   | 25441   | Schraube Hohl- G¼           |                           |                               |
| 15   | 25440   | Verschraubung               |                           |                               |
| ◇    | 16  | Schlauch DN 6 x1 MEWA       |                           |                               |
| 17   | 25436   | Verschraubung               |                           |                               |
| 18   | 61272   | Halter                      |                           |                               |
| 19   | 60392   | Strömungswächter            |                           |                               |
| 20   | 25438   | Verschraubung               |                           |                               |
| 21   | 48728   | Schalter                    | Switch                    | Interrupteur                  |
| 22   | 60449   | Schaltkasten                |                           |                               |
| 23   | 46297   | Klappdeckelrahmen           | Hinged cover frame        | Cadre de couvercle rabattant  |
| 24   | 46248   | Schraube KA35x18            | Screw PT 3,5x18           | Vis autotaraudeuse PT 3,5x18  |
| 25   | 49267   | Steckdose                   | Plug socket               | Prise électrique              |
| ◇    | ACHTUNG! - Meterware - Bitte bei Bestellung gewünschte Länge angeben!           |                             |                           |                               |
| ◇    | ATTENTION! - Lengths in metres - Please indicate required length when ordering! |                             |                           |                               |
| ◇    | ATTENTION! - Longueurs par mètre - Préciser la longueur à la commande!          |                             |                           |                               |

SQ650-01  
SQ650-11  
SQ650-21  
SQ651-11

SQ17 Gallon  
ASPE2



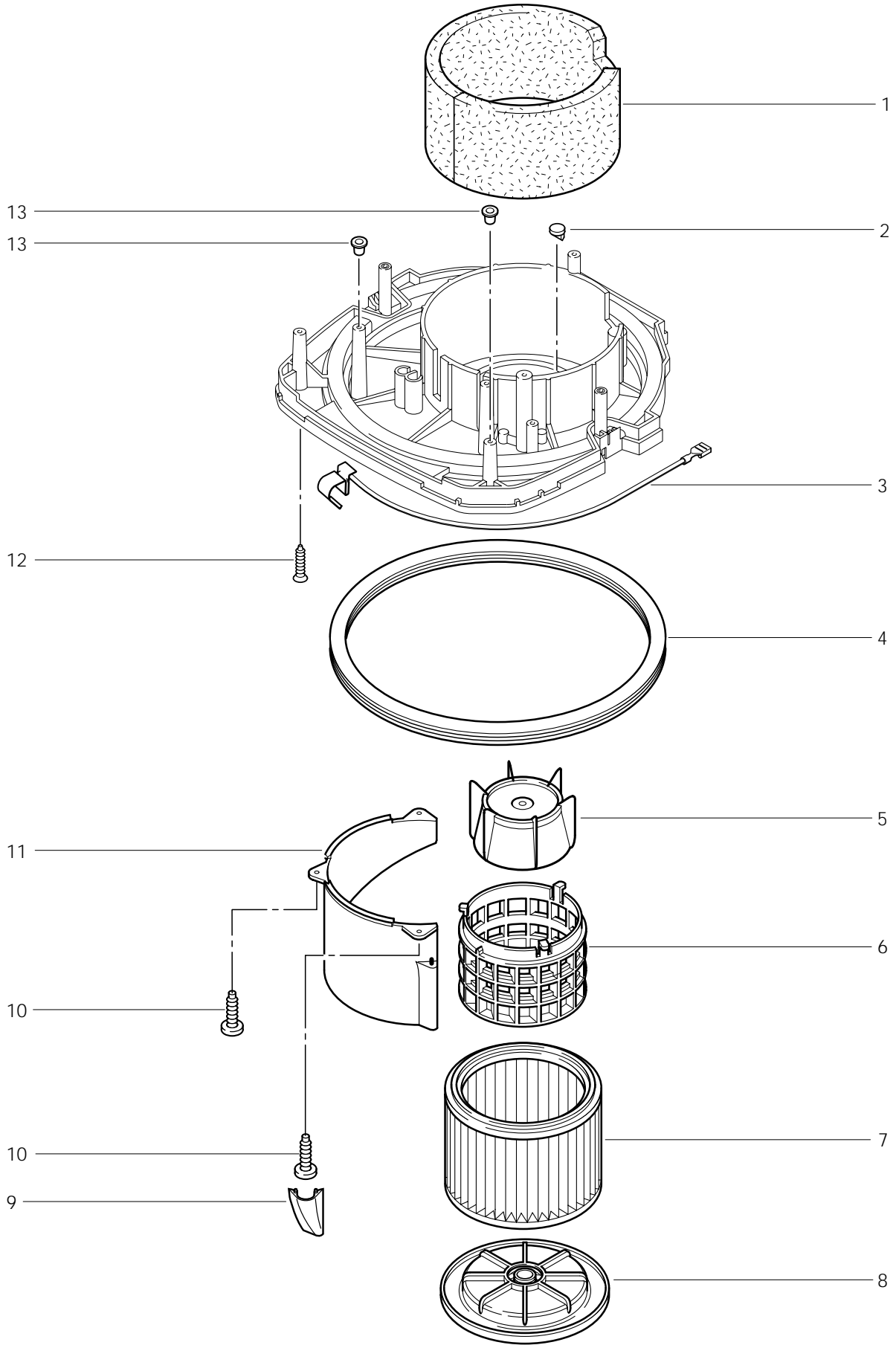
| POS. | NO.   | BEZEICHNUNG                                     | DESCRIPTION               | DESIGNATION                     |
|------|-------|---|---------------------------|---------------------------------|
| 1    | 26803 | Haube   | Cover                     | Capot                           |
| 2    | 24738 | Schraube PT 3,5x8                               | Screw PT 3,5x8            | Vis autotaraudeuse PT 3,5x8     |
| 3    | 25700 | Luftkanal                                       | Air diverter              | Bavette complète                |
| 4    | 11253 | Schraube KA50x20                                | Screw PT 5x20             | Vis autotaraudeuse PT 5x20      |
| 5    | 44240 | Spannplatte                                     | Clamping plate            | Plaque de serrage               |
| 6    | 11256 | Schraube KA35x18                                | Screw PT 3,5x18           | Vis autotaraudeuse PT 3,5x18    |
| 7    | 14885 | Anschlußleitung<br>*EU*                         | Power cable *EURO*        | Câble électrique *EURO*         |
|      | 15274 | Anschlußleitung<br>*GB,230 V*                   | Power cable               | Câble électrique                |
|      | 60285 | Anschlußleitung *US*<br>SQ 17 Gallon AS/PE2*US* | Connecting lead *US*      | Câble de connexion *US*         |
|      | 60442 | Anschlußleitung *CH*                            |                           |                                 |
|      | 62016 | Anschlußleitung *GB*<br>SQ 650-11 *GB,110V*     |                           |                                 |
|      | 62502 | Anschlußleitung<br>*JP*                         |                           |                                 |
| 8    | 48421 | Verteilerleiste                                 | Terminal strip            | Bornier                         |
| 9    | 5697  | Lasche  | Strap 3x8x33              | Eclisse 3x8x33                  |
| 10   | 26783 | E-Motor Turbo 100V 1200W<br>100 V, 1200 W       |                           |                                 |
|      | 26785 | E-Motor Turbo 120V 1000W<br>120 V, 1000W        | Electric motor 120V 1000W | Moteur électrique 120V 1000     |
|      | 49594 | E-Motor Turbo 230V 1200W<br>220-240 V, 1200 W   | Suction motor 230V / 1200 | Moteur d'aspiration 230V / 1200 |
| 11   | 47035 | Manschette<br>SQ 17 Gallon AS/PE2               | Sleeve                    | Manchette                       |
|      | 47036 | Manschette                                      | Rubber ring               | Anneau en caoutchouc            |
| 12   | 26774 | Kohlebürsten-Set 'M'<br>bei Kennbuchstabe " M " | Carbon brushes 'M'        | Jeu de balai de charbons 'M'    |
|      | 26775 | Kohlebürsten-Set 'L'<br>bei Kennbuchstabe " L " | Carbon brushes 'L'        | Jeu de balai de charbons 'L'    |
|      | 49625 | Kohlebürsten-Set 'C'<br>bei Kennbuchstabe " C " | Carbon brushes 'C'        | Jeu de balai de charbons 'C'    |
| 13   | 28875 | Motorlagerring Set<br>bei Kennbuchstabe " L,M " | Motor bearing             | Anneau de centrage              |
|      | 42538 | Motorlagerring Set<br>bei Kennbuchstabe " C "   | Motor bearing             | Anneau de centrage              |
| 14   | 44239 | Trägerplatte                                    | Carrier plate             | Plaque de support               |

SQ650-01  
SQ650-11  
SQ650-21  
SQ651-11

SQ 17 Gallon  
AS/PE2

SQ650-01  
SQ650-11  
SQ650-21  
SQ651-11

SQ17 Gallon  
ASPE2





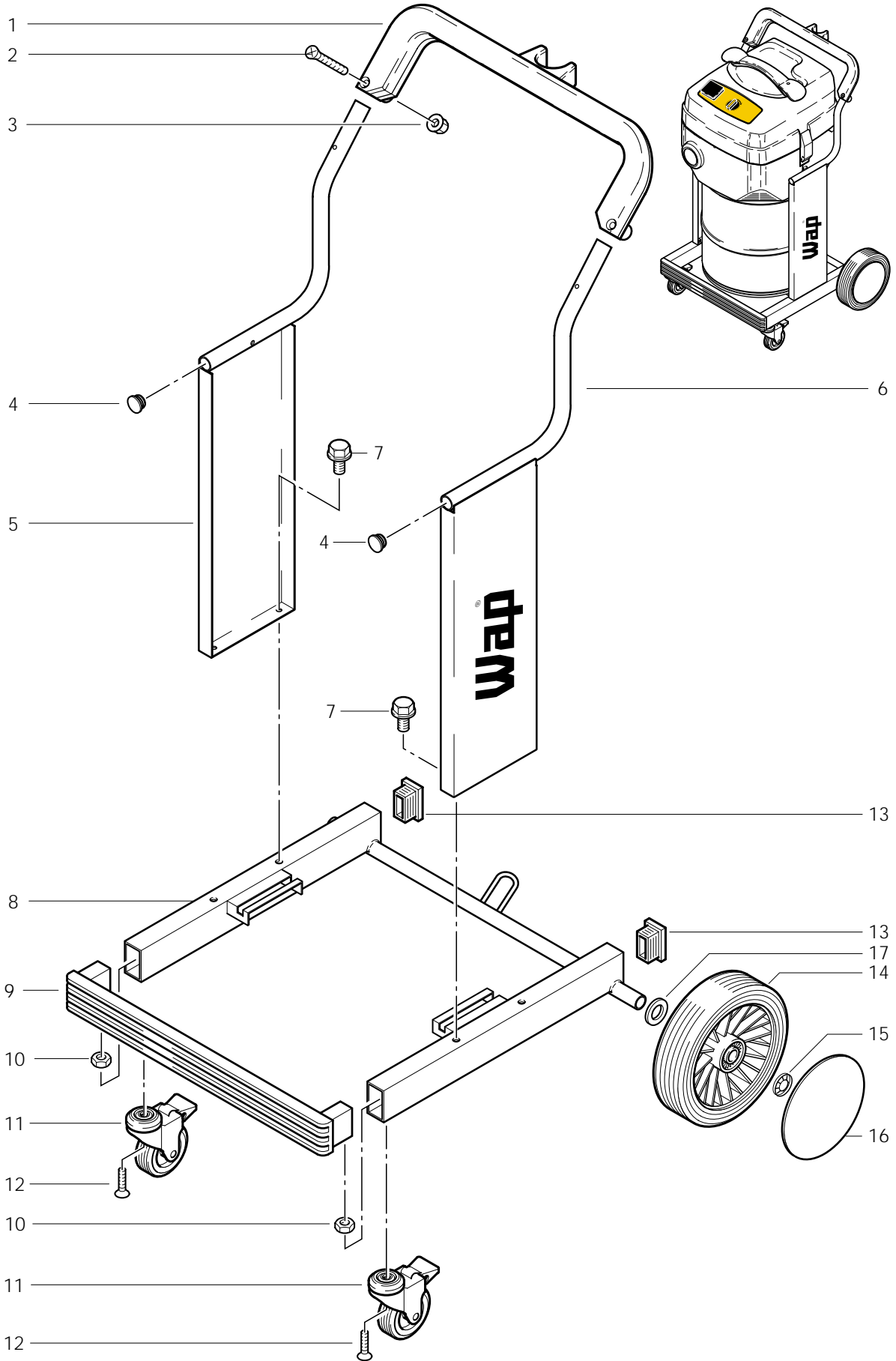
| POS. | NO.   | BEZEICHNUNG  | DESCRIPTION         | DESIGNATION                |
|------|-------|--|---------------------|----------------------------|
| 1    | 47014 | Dämmplatte   | Soundproofing liner | Absorbeur                  |
| 2    | 46640 | Scheibe 16,1x2                                       | Washer 16,1x2       | Rondelle 16,1x2            |
| 3    | 26792 | Kontaktfeder   | Contact spring      | Ressort de contact         |
| 4    | 11222 | Dichtring  | Packing ring        | Anneau d'isolation         |
| 5    | 11835 | Schwimmer  | Float               | Flotteur                   |
| 6    | 46418 | Filterstützkorb                                      | Filter frame        | Panier support filtre      |
| 7    | 11753 | Filterelement  | Filter element      | Cartouche filtrante        |
|      | 29747 | Filterelement<br>SQ 650-01, SQ 17 Gallon AS/PE2      | Filter element      | Cartouche filtrante        |
| 8    | 11762 | Filterspannscheibe                                   | Filter cover        | Couvercle de filtre        |
|      | 29753 | Filterspannscheibe<br>SQ 650-01, SQ 17 Gallon AS/PE2 | Filter cover        | Couvercle de filtre        |
| 9    | 47025 | Abdeckung  | Covering            | Couvercle                  |
| 10   | 11565 | Schraube KA50x18                                     | Screw PT 5x18       | Vis autotaraudeuse PT 5x18 |
| 11   | 45692 | Abweiser   | Deflector           | Plaque protection          |
| 12   | 11253 | Schraube KA50x20                                     | Screw PT 5x20       | Vis autotaraudeuse PT 5x20 |
| 13   | 48414 | Stopfen  | Plug                | Bouchon                    |

SQ650-01  
SQ650-11  
SQ650-21  
SQ651-11

SQ 17 Gallon  
AS/PE2

SQ650-01  
SQ650-11  
SQ650-21

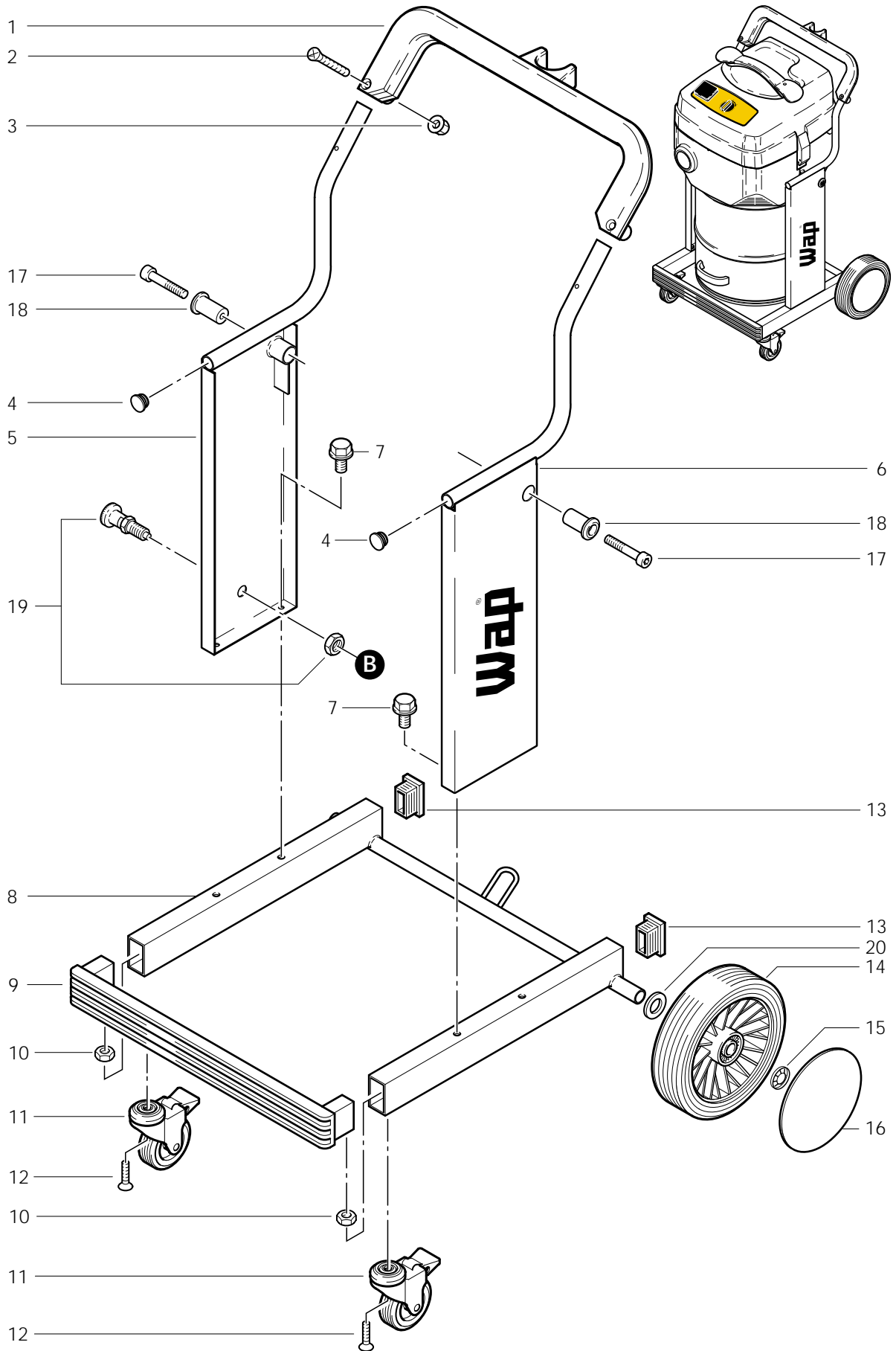
SQ17 Gallon  
ASPE2



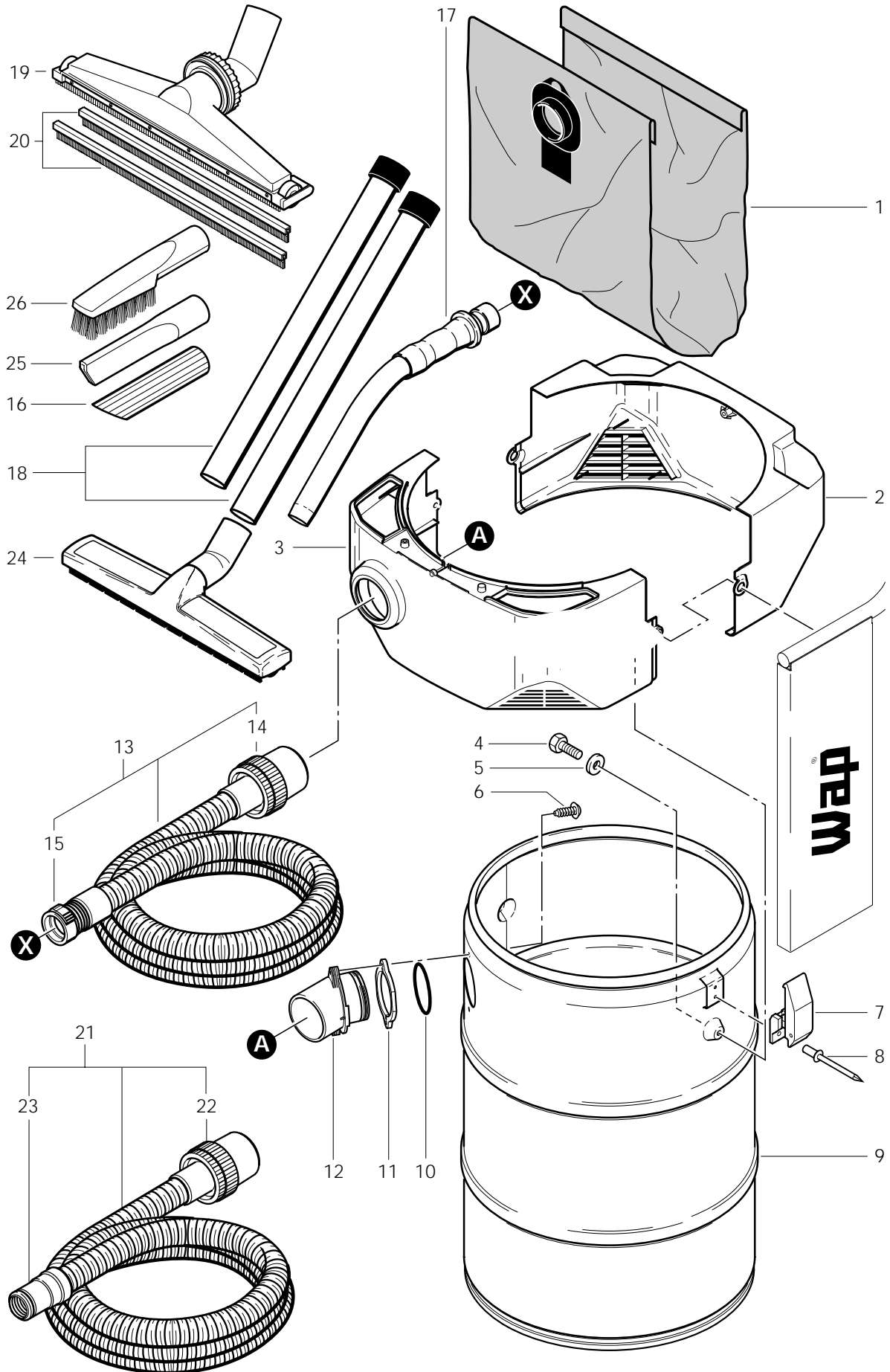
| POS. | NO.   | BEZEICHNUNG            | DESCRIPTION  | DESIGNATION             |
|------|-------|------------------------|--|-------------------------|
| 1    | 46134 | Schubbügel             | Handlebar  | Guidon                  |
| 2    | 17737 | Schraube Senk- M 6x 40 | Countersunk screw M6x40 [ Vis à tête fraisée M6x40 DIN 9 |                         |
| 3    | 12496 | Sicherungsmutter M6    | Nut M6   | Ecrou M6                |
| 4    | 60767 | Lamellenstopfen        |  |                         |
| 5    | 60746 | Blende                 |  |                         |
| 6    | 60744 | Blende                 |  |                         |
| 7    | 60771 | Skt. Schraube M 6X 12  |  |                         |
| 8    | 60741 | Grundrahmen            |  |                         |
| 9    | 46301 | Blende                 | Sheating   | Coffrage                |
| 10   |       | Mutter M8 DIN 934      | Hexagon nut M8 DIN 934                                   | Ecrou 6 pans M8 DIN 934 |
| 11   | 11474 | Lenkrolle              | Caster D75   | Roulette de guidage D75 |
| 12   | 30738 | Schraube Senk- M 8x 30 |  |                         |
| 13   | 7895  | Kappe                  | Cap  | Capuchon                |
| 14   | 48647 | Rad D200               | Wheel D200   | Roue D200               |
| 15   | 47302 | Klemmring              | Clamping ring  | Rondelle frein          |
| 16   | 46490 | Radkappe               | Cap  | Capuchon                |
| 17   |       | Scheibe 21 x3          | Washer 21x3,0 DIN 125                                    | Rondelle 21x3,0 DIN 125 |

SQ650-01  
SQ650-11  
SQ650-21

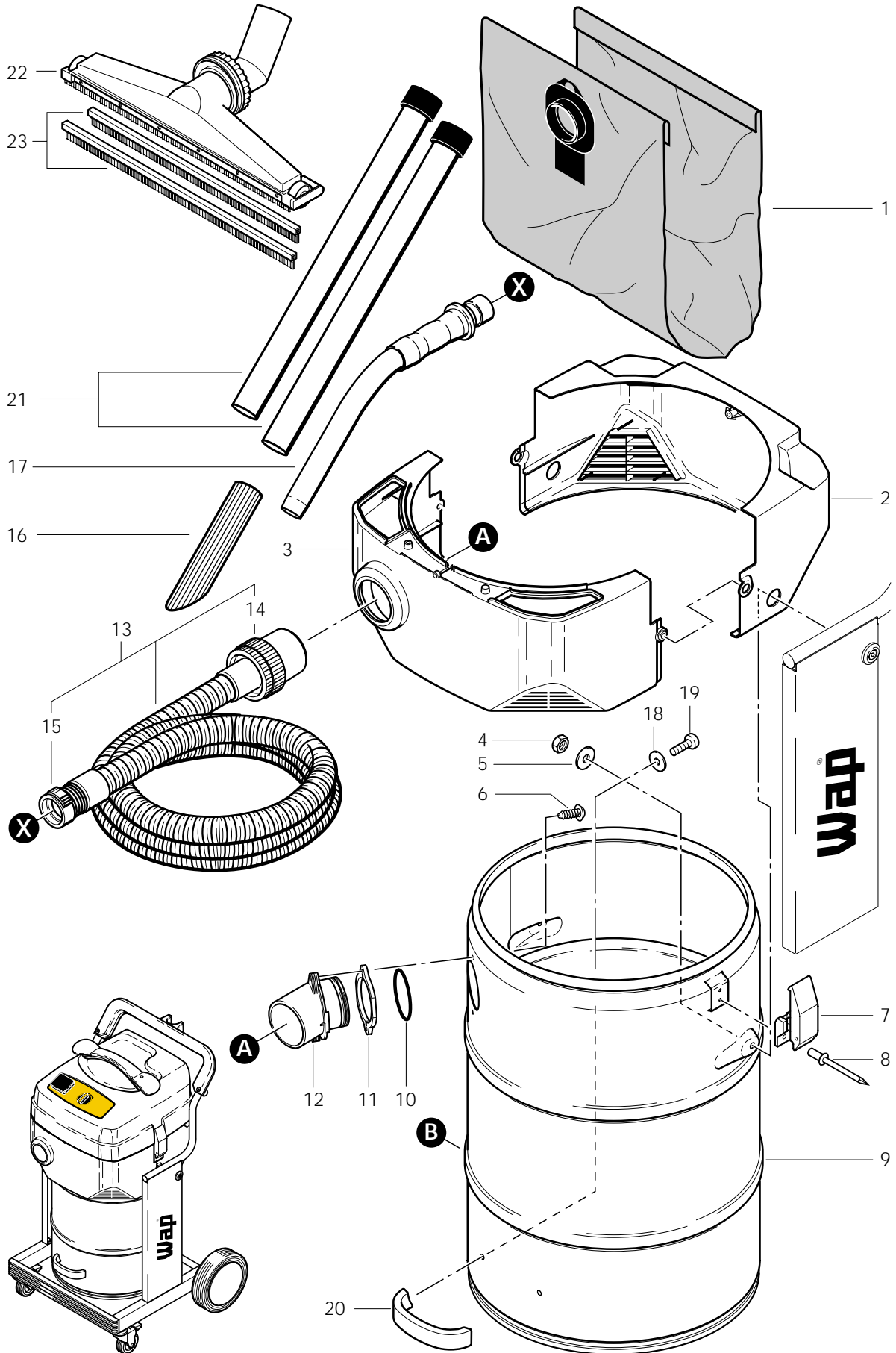
SQ17 Gallon  
ASPE2



| POS. | NO.   | BEZEICHNUNG                     | DESCRIPTION  | DESIGNATION             |
|------|-------|---------------------------------|--|-------------------------|
| 1    | 46134 | Schubbügel                      | Handlebar  | Guidon                  |
| 2    | 17737 | Schraube Senk- M 6x 40          | Countersunk screw M6x40 [ Vis à tête fraisée M6x40 DIN 9 |                         |
| 3    | 12496 | Sicherungsmutter M6             | Nut M6   | Ecrou M6                |
| 4    | 60767 | Lamellenstopfen                 |  |                         |
| 5    | 60750 | Blende                          |  |                         |
| 6    | 60748 | Blende                          |  |                         |
| 7    | 60771 | Skt. Schraube M 6X 12           |  |                         |
| 8    | 60742 | Grundrahmen                     |  |                         |
| 9    | 46301 | Blende                          | Sheating   | Coffrage                |
| 10   |       | Mutter M8 DIN 934               | Hexagon nut M8 DIN 934                                   | Ecrou 6 pans M8 DIN 934 |
| 11   | 11474 | Lenkrolle                       | Caster D75   | Roulette de guidage D75 |
| 12   | 30738 | Schraube Senk- M 8x 30          |  |                         |
| 13   | 7895  | Kappe                           | Cap  | Capuchon                |
| 14   | 48647 | Rad D200                        | Wheel D200   | Roue D200               |
| 15   | 47302 | Klemmring                       | Clamping ring  | Rondelle frein          |
| 16   | 46490 | Radkappe                        | Cap  | Capuchon                |
| 17   |       | Zylinderschraube M8x 45 DIN 912 |  |                         |
| 18   | 60766 | Lagerbuchse                     |  |                         |
| 19   | 60836 | Rastbolzen                      |  |                         |
| 20   |       | Scheibe 21 x3                   | Washer 21x3,0 DIN 125                                    | Rondelle 21x3,0 DIN 125 |

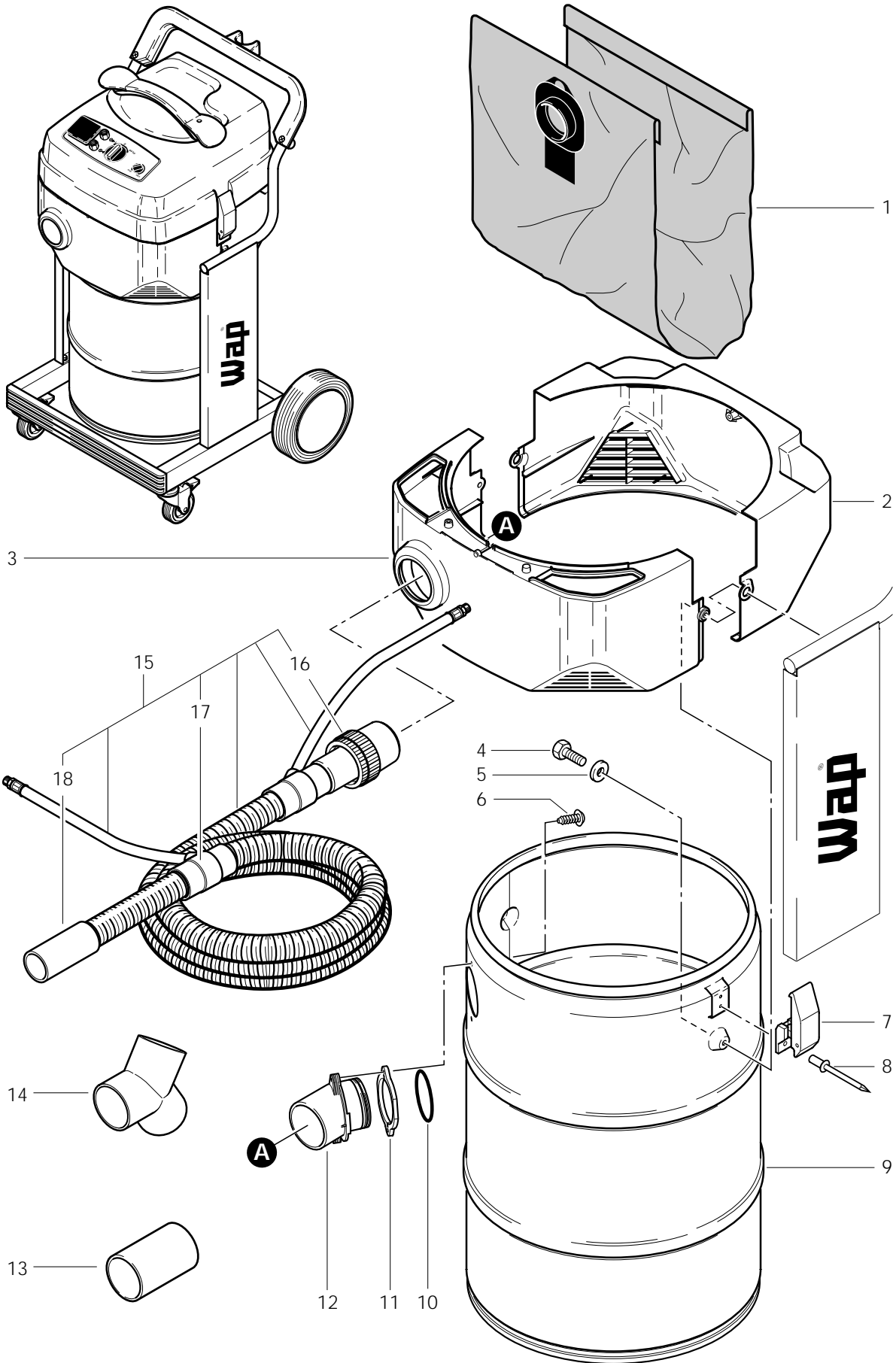


| POS. | NO.   | BEZEICHNUNG                                | DESCRIPTION             | DESIGNATION                 |
|------|-------|--|-------------------------|-----------------------------|
| 1    | 47429 | Filtersack VPE 5 St                        | Filter bag (5 pcs.)     | Sac filtrant (5 pcs.)       |
| 2    | 60737 | Gürtel                                     |                         |                             |
| 3    | 60738 | Gürtel                                     |                         |                             |
| 4    |       | Skt. Schraube M6x20 DIN 933 A2             | Hexagon cap screw M6x20 | Vis 6 pans M6x20 DIN 933 A2 |
| 5    |       | Scheibe B 6,4 A2                           | Washer B6,4 DIN 125 A2  | Rondelle B6,4 DIN 125 A2    |
| 6    | 11565 | Schraube KA50x18                           | Screw PT 5x18           | Vis autotaraudeuse PT 5x18  |
| 7    | 19880 | Verschußklammer                            | Spring catch            | Crochet de verrouillage     |
| 8    | 11691 | Blindniet 4,0x10x8                         | Rivet 4,0x10x8 DIN 7337 | Rivet 4,0x10x8 DIN 7337     |
| 9    | 60739 | Schmutzbehälter                            |                         |                             |
| 10   | 29191 | Dichtring                                  | Packing ring            | Anneau d' isolation         |
| 11   | 46223 | Ring                                       | Ring                    | Entretoise                  |
| 12   | 46073 | Einlaßfitting                              | Intake fitting          | Douille de raccordement     |
| 13   | 25537 | Saugschlauch 36x 4000<br>SQ 650-11         | Suction hose D36x4000mm | Tuyau d'aspiration D36x4000 |
|      | 46948 | Saugschlauch 36x 3000<br>SQ 650-01         | Suction hose D36x3000mm | Tuyau d'aspiration D36x3000 |
| 14   | 15102 | Schlauchmuffe D 36<br>SQ 650-01, SQ 650-11 | Hose socket             | Manchon                     |
| 15   | 46690 | Schlauchmuffe D 36<br>SQ 650-01, SQ 650-11 | Hose socket DN 36       | Manchon DN 36               |
| 16   | 5067  | Schrägrohrdüse                             | Rubber nozzle           | Embout en caoutchouc        |
| 17   | 46691 | Handrohr gebogen, VA                       |                         |                             |
| 18   | 15546 | Verlängerungsrohr 2-teilig VA              | Extension tube          | Tuyau de rallonge           |
| 19   | 5149  | Spezialbodendüse D36                       | SPECIAL GROUND NOZZLE   | EMBOUT PLAST.CANNEL.+RO     |
| 20   | 6114  | Gummilippen (SET)                          | SPARE RUBBER LIPS       | BANDE CANNELEE RECHANG      |
| 21   | 15325 | Saugschlauch 27x 3500 As<br>SQ 650-21      | Suction hose            | Tuyau d'aspiration          |
| 22   | 15369 | Schlauchmuffe D 27<br>SQ 650-21            | Hose socket DN 27       | Manchon DN 27               |
| 23   | 18195 | Schlauchmuffe D 27<br>SQ 650-21            | Hose socket DN 27       | Manchon DN 27               |
| 24   | 60356 | Profi-Bodendüse DN36                       |                         |                             |
| 25   | 6084  | Fugendüse DN 36                            | Crevice tool DN 36      | Embout pour jointures DN 36 |
| 26   | 6086  | Bürstendüse                                | Brush nozzle            | Embout à brosse             |





| POS. | NO.   | BEZEICHNUNG                   | DESCRIPTION                 | DESIGNATION                  |
|------|-------|-------------------------------|-----------------------------|------------------------------|
| 1    | 47429 | Filtersack VPE 5 St           | Filter bag (5 pcs.)         | Sac filtrant (5 pcs.)        |
| 2    | 60737 | Gürtel                        |                             |                              |
| 3    | 60738 | Gürtel                        |                             |                              |
| 4    |       | Mutter M8 DIN 934 A2          | Hexagon nut M8 DIN 934      | Ecrou 6 pans M8 DIN 934      |
| 5    |       | Scheibe A 8,4 A2              | Washer A8,4 DIN 9021 A2     | Rondelle A8,4 DIN 9021 A2    |
| 6    | 11565 | Schraube KA50x18              | Screw PT 5x18               | Vis autotaraudeuse PT 5x18   |
| 7    | 19880 | Verschlußklammer              | Spring catch                | Crochet de verrouillage      |
| 8    | 11691 | Blindniet 4,0x10x8            | Rivet 4,0x10x8 DIN 7337     | Rivet 4,0x10x8 DIN 7337      |
| 9    | 60740 | Schmutzbehälter               |                             |                              |
| 10   | 29191 | Dichtring                     | Packing ring                | Anneau d" isolation          |
| 11   | 46223 | Ring                          | Ring                        | Entretoise                   |
| 12   | 46073 | Einlaßfitting                 | Intake fitting              | Douille de raccordement      |
| 13   | 25537 | Saugschlauch 36x 4000         | Suction hose D36x4000mm     | Tuyau d'aspiration D36x4000  |
| 14   | 15102 | Schlauchmuffe D 36            | Hose socket                 | Manchon                      |
| 15   | 46690 | Schlauchmuffe D 36            | Hose socket DN 36           | Manchon DN 36                |
| 16   | 5067  | Schrägrohrdüse                | Rubber nozzle               | Embout en caoutchouc         |
| 17   | 46691 | Handrohr gebogen, VA          |                             |                              |
| 18   | 14805 | Scheibe A6,4 DIN 9021 A2      | Washer A6,4 DIN 9021 A2     | Rondelle A6,4 DIN 9021 A2    |
| 19   | 14664 | Linsenschraube M6x12          | Lens head counters. screw M | Vis tete plate M6x12 DIN 798 |
| 20   | 14663 | Bügelgriff                    | Bracket                     | Arceau                       |
| 21   | 15546 | Verlängerungsrohr 2-teilig VA | Extension tube              | Tuyau de rallonge            |
| 22   | 5149  | Spezialbodendüse D36          | SPECIAL GROUND NOZZLE       | EMBOUT PLAST.CANNEL.+RO      |
| 23   | 6114  | Gummilippen (SET)             | SPARE RUBBER LIPS           | BANDE CANNELEE RECHANG       |



| POS. | NO.   | BEZEICHNUNG                    | DESCRIPTION   | DESIGNATION                |
|------|-------|--------------------------------|---|----------------------------|
| 1    | 47429 | Filtersack VPE 5 St            | Filter bag (5 pcs.)                                   | Sac filtrant (5 pcs.)      |
| 2    | 60737 | Gürtel                         |   |                            |
| 3    | 60738 | Gürtel                         |   |                            |
| 4    |       | Skt. Schraube M6x20 DIN 933 A2 | Hexagon cap screw M6x20 I Vis 6 pans M6x20 DIN 933 A2 |                            |
| 5    |       | Scheibe B 6,4 A2               | Washer B6,4 DIN 125 A2                                | Rondelle B6,4 DIN 125 A2   |
| 6    | 11565 | Schraube KA50x18               | Screw PT 5x18   | Vis autotaraudeuse PT 5x18 |
| 7    | 19880 | Verschußklammer                | Spring catch  | Crochet de verrouillage    |
| 8    | 11691 | Blindniet 4,0x10x8             | Rivet 4,0x10x8 DIN 7337                               | Rivet 4,0x10x8 DIN 7337    |
| 9    | 60739 | Schmutzbehälter                |   |                            |
| 10   | 29191 | Dichtring                      | Packing ring  | Anneau d" isolation        |
| 11   | 46223 | Ring                           | Ring  | Entretoise                 |
| 12   | 46073 | Einlaßfitting                  | Intake fitting  | Douille de raccordement    |
| 13   | 15953 | Direktanschluß DN 50 AS        | DIRECT CONNECTION                                     |                            |
| 14   | 15331 | Sternverteiler DN50 AS         | DISTRIBUTOR   | DISTRIBUTEUR               |
| 15   | 26601 | Schlauch-Garnitur DN32         |   |                            |
| 16   | 30928 | Muffe Schlauch- D32 AS         |   |                            |
| 17   | 26309 | Muffe DN32                     |   |                            |
| 18   | 60033 | Muffe                          |   |                            |

SQ17 Gallon  
AS/PE2