

30C, 30CA

Model:

30CA COMPACT
30CA COMPACT 1
30CA SPECIAL
30CA SPECIAL 1



Part List US-English

04-08-2008

Nilfisk
ALTO
Why Compromise

www.nilfisk-alto.com

Table of Contents

30C, 30CA

Cabinet parts	3
Electric parts	5
Motor pump unit	8
Cylinder head assembly from 99.48.>	11
Cylinder head assembly up to 99.48 I	13
By-pass valve, 30C, 30CA	15
Hose reel	17
Default accessoires	19

Cabinet parts

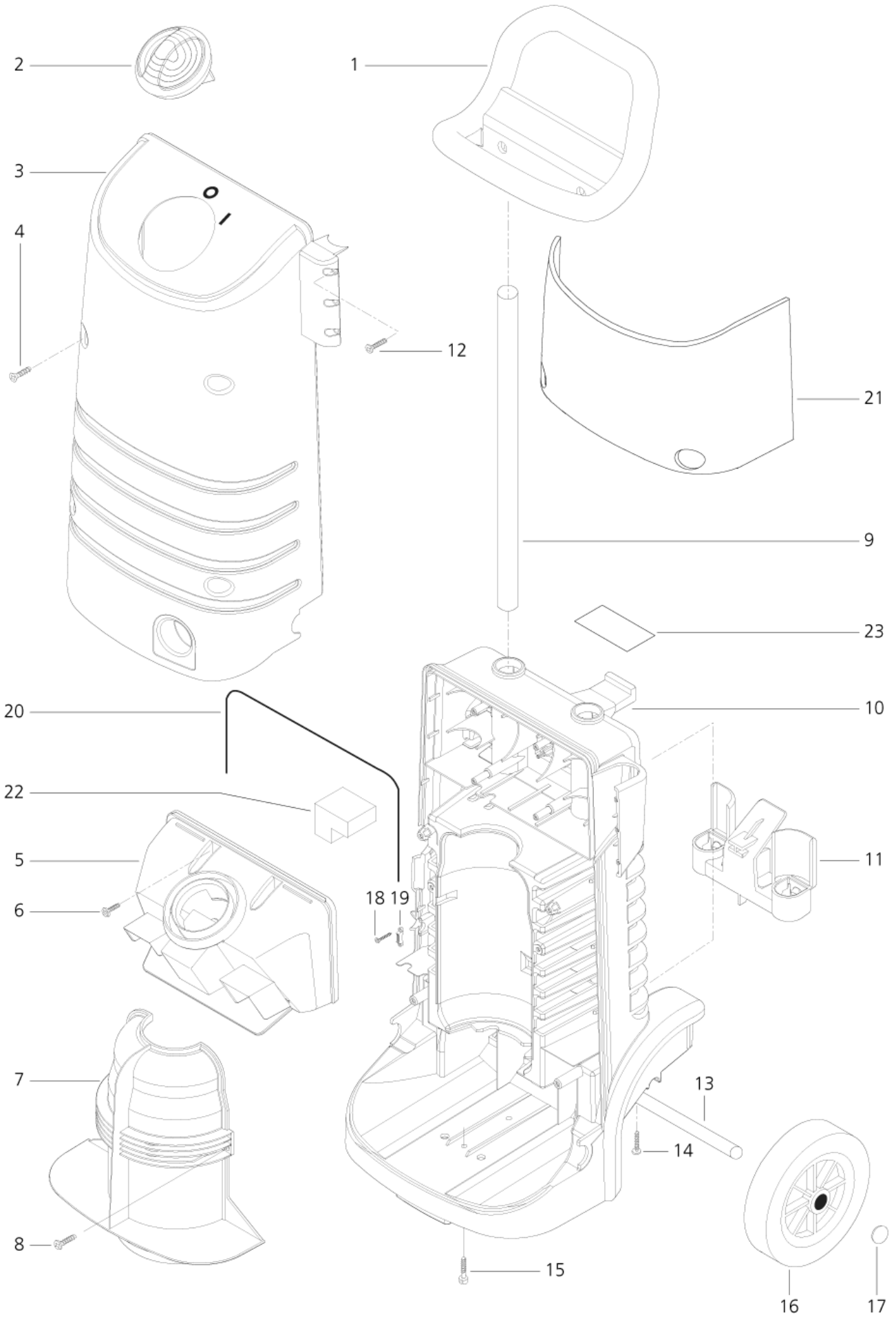
30C, 30CA

04-08-2008

Part List ID

30CA02

3



Cabinet parts

30C, 30CA

04-08-2008

Part List ID

30CA02

4

Pos	Part no.	Qty	Description	EAN
1	7180729	1	PUSHING HANDLE 30CA B	5701715117
2	7180726	1	BUTTON	5701715117
3	7180712	1	CABINET, FRONT	5701715329
4	1814587	1	SCREW EYOT- KB60X20 WN	5701715117
5	301000094	1	CASE FOR SWITCH BOX 30CA SUBASSEMBLE	4005337012
6	1814508	1	SCREW EJOT- K50X16 T25 W N 1452 SW-ZN	5701715014
7	7180723	1	ENGINE SHELL	5701715117
8	1810381	1	SCREW-EJOT KB60X20	5701715030
9	7180735	1	TUBE FOR DRIVING HANDLE	5701715117
10	7180705	1	HOUSING, REAR SIDE	5701715128
11	7180732	1	LOCKING PIECE	5701715117
12	1813641	1	SCREW EYOT- KB40X16 WN	5701715031
13	7180736	1	WHEEL HANDLEBAR	5701715117
14	1814227	1	SCREW	5701715031
15	5100	1	SCREW M6X45	4005337051
16	2013514	1	WHEEL WITH BLACK HUP CAP	5701715211
17	7180737	1	SHAFT CLAMPING CAP DIA. 1	5701715117
18	45045	1	SCREW EJOT- KA30X20 WN	4005337450
19	3806262	1	STRAIN RELIEF BRACKET 27.	5701715042
20	5218634	1	GASKET PER M OE3MM GREY	LENGTHS IN METRES - PLEASE INDICATE REQUIRED LENTH
21	7180480	1	MAT F. CABINET FRONT	5701715259
22	7180481	1	FOAM SEALING	5701715259
23	48085	1	LABEL DO NOT SPRAY ON PERsons	4005337480

Electric parts

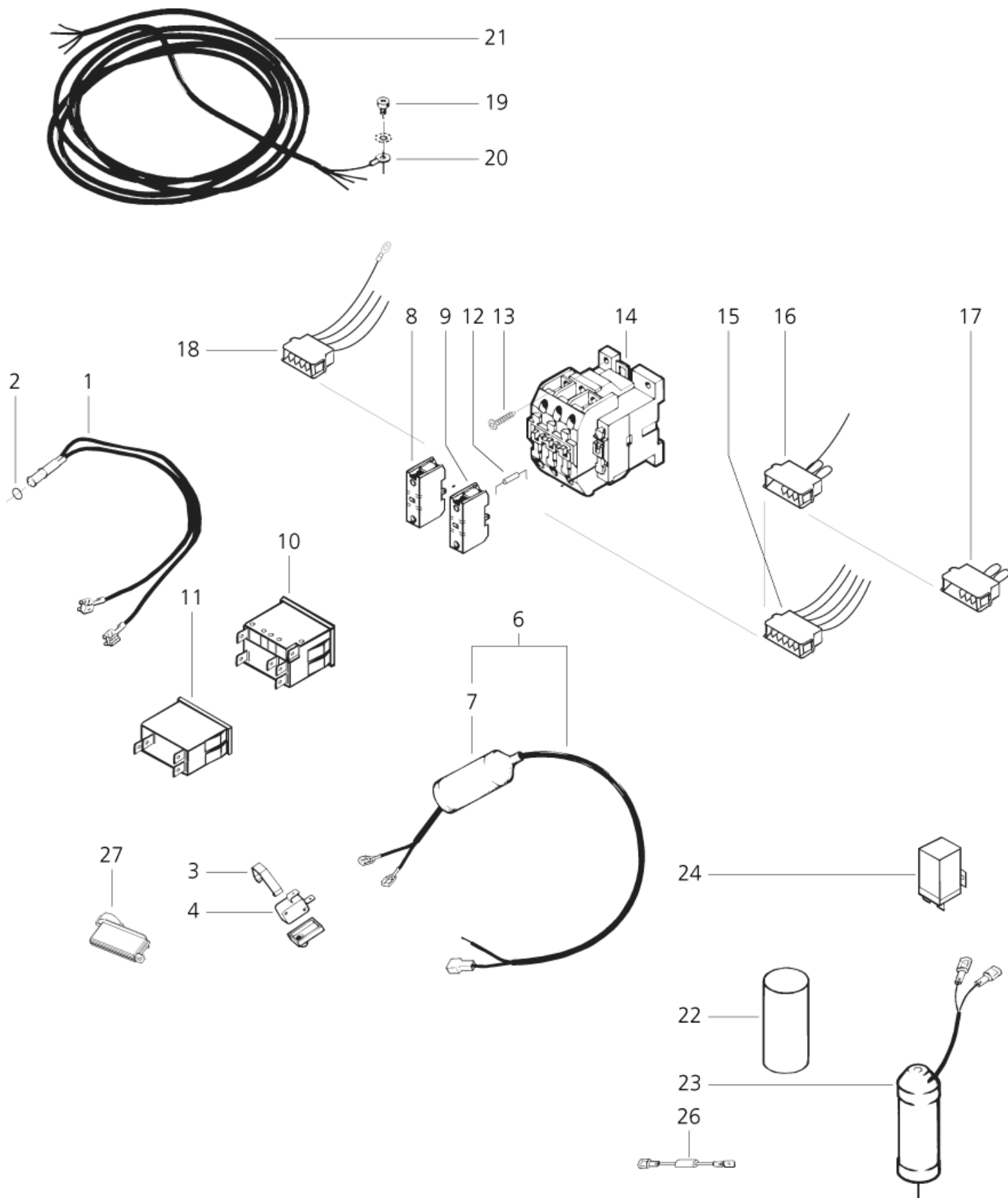
30C, 30CA

04-08-2008

Part List ID

30CA04

5



Electric parts

30C, 30CA

04-08-2008

Part List ID

30CA04

6

Pos	Part no.	Qty	Description	EAN
1	7180100	1	LIGHT INDICATOR W. CABLE.	5701715117
1	7180101	1	LIGHT INDICATOR S/S 220- 220-240V	5701715128
1	7180102	1	LIGHT INDICATOR, S/S 110-115v 100-115V	5701715128
2	3004263	1	O-RING	5701715119
3	7181448	1	MICROSWITCH BOX FROM 26.04.99	5701715252
4	3821711	1	MICRO SWITCH NOT FOR DYNAMIC	5701715253
6	3830060	1	INTERCONNECTING CABLE F. S/S	5701715117
6	3830061	1	INTERCONNECTING CABLE F. S/S	5701715128
7	7181448	1	MICROSWITCH BOX FROM 26.04.99	5701715252
8	3809464	1	AUXILIARY SWITCH, NO 50HZ, 3X440/220V,60HZ,	5701715043
9	3821496	1	AUXILIARY SWITCH, CB-NC 50HZ, 3X440/220V,60HZ,	5701715117
10	301000073	1	SWITCH 6A 400V 3-POLE	4005337008
11	3821613	1	SWITCH-WHIP 0-I 240/50 220-240V	5701715128
11	3821614	1	SWITCH 2-POL. 15A 240V 110-115V	5701715128
12	3821511	1	RESISTANCE 560 OHM 2W 3X400/230V,50HZ, 3X440/220,60HZ	5701715117
13	46269	1	LENS HEAD COUNTERS. SCREW 30CA COMPACT, 30CA SPECIAL, 30CA COMPACT I, 30CA S	4005337462
14	301000069	1	CONTACT 100V/50-60HZ 7,5KW	4005337684
14	3821438	1	CONTACT C15 16A 230-24 CL15 16A 230-240V 50HZ	5701715011
14	3821439	1	CONTACT C15 16A 400V 5 16A 400V 50HZ	5701715011
14	3821568	1	CONTACT C15 16A 220V 6 16A 220V 60HZ	5701715137
14	3821589	1	CONTACT 115/60/16A 16A 115V 60HZ	5701715128
14	3821610	1	CONTACT C15 110/50/16A 16A 110V 50HZ	5701715137
15	7180115	1	PLUG 5-POL. 30 CA 3X400/230V,50HZ, 3X440/220V,60HZ	5701715117
16	7180120	1	PLUG 5-POLAR Y 3X400/230V,50HZ, 3X440/220V,60HZ	5701715117
17	7180105	1	PLUG 5-POLAR 3PH 400V	5701715117
17	7181415	1	MOTOR CABLE	
17	7181418	1	MOTOR CABLE	5701715136
18	7180110	1	PLUG. COMPL. 3X440/230V,50HZ, 3X440/220V,60HZ	5701715117
19	46269	1	LENS HEAD COUNTERS. SCREW	4005337462
20	1810308	1	STAR WASHER M4 INTERN.TOOTHING	5701715030
21	3821142	1	POWER CORD SJTWA WG 12/3X11 US	5701715008
21	3821649	1	POWER CORD SJTW A WG14/3X11M 115V	5701715226
21	7180225	1	POWER CORD RN-F 3G1,5X6 GB, 240V	4005337132
21	7180226	1	POWER CORD RN-F 3G1,5X6M CEE7/VII EU	5701715137
21	7180227	1	POWER CORD RN-F 3G1,0X6M SNV CH	5701715413
21	7180228	1	POWER CORD RN-F 3G1,0X6M SRAF DK	5701715234
21	7180229	1	POWER CORD VCT 3X2,0X6M JP	4005337134
21	7180230	1	SUPPLY CORD H07RN-F3G1.5 AU	4005337078
21	7180231	1	SUPPLY CORD STOW-A 14/3 CA,CN,KR	4005337002
21	7180232	1	ELEC. CABLE, 110V 50HZ GB GB 110V	
21	7180920	1	ELECTRIC CABLE, COMPL.	5701715117
22	301000408	1	CAPACITOR 120µF/250V JP, 100V 50/60HZ	4005337680
22	3821343	1	CAPACITOR 50AF 220-240V	5701715044

Electric parts

30C, 30CA

04-08-2008

Part List ID

30CA04

7

Pos	Part no.	Qty	Description		EAN
22	3821626	1	CONDENSER-OPERATION 100AF	115V,110V	5701715222
23	3821063	1	CAPACITOR (START-UP) 160-	UP TO 12.2001, 220-240V,50HZ	5701715044
23	3821139	1	CAPACITOR (START) 200-250	UP TO 05.2001, 110V, 60HZ	5701715044
23	3821695	1	CAPACITOR (START-UP) 500A	UP TO 05.2001, US, 115V60HZ	5701715256
23	3821696	1	CONDENSER	60HZ, 100V,50HZ FROM 05.2001, 100V60HZ FROM 14.200	5701715256
24	3821581	1	STARTER RELAY 110V, 15V G	110-115V	5701715128
24	3821582	1	STARTER RELAY 220-240V 50	220-240V, 50HZ FROM 50.2001	5701715128
26	301000174	1	CAPACITOR 0,68MICRONF	US, KR, FROM 12.2001 50HZ	4005337686
26	301000494	1	CAPACITOR 1MICRONF	GB, 110V	4005337682
26	7180291	1	CAPACITOR 0,68AF	US, 115V, 230V	5701715276
27	7181448	1	MICROSWITCH BOX		5701715252

Motor pump unit

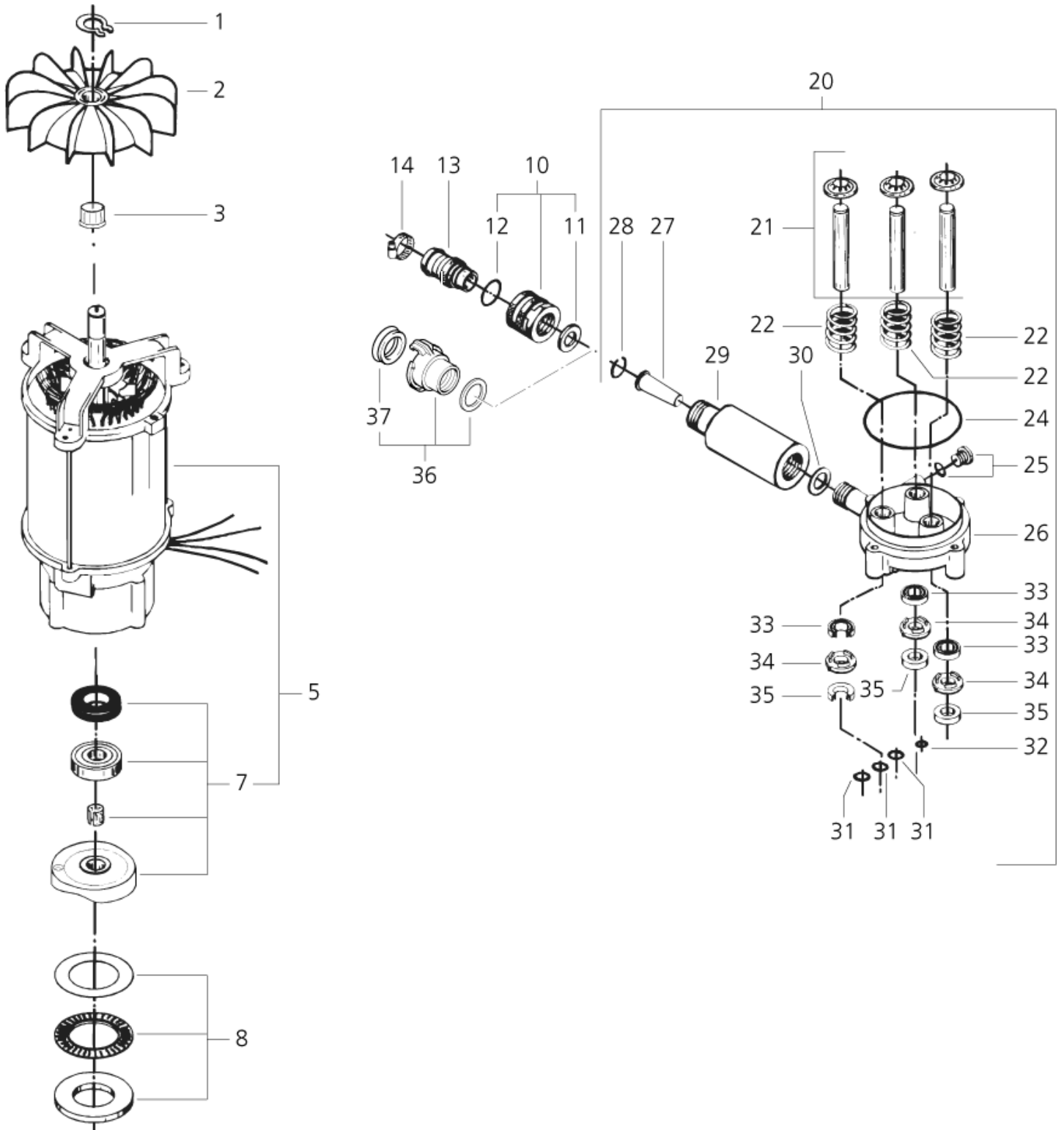
30C, 30CA

04-08-2008

Part List ID

30CA06

8



Motor pump unit

30C, 30CA

04-08-2008

Part List ID

30CA06

9

Pos	Part no.	Qty	Description		EAN
-	5218433	1	PUMP OIL 150 1X1L		5701715046
2	6122476	1	FAN		5701715068
3	7180460	1	BUSH		5701715117
5	7180910	1	MOTOR W. WOBBLE DISC 400/230V	400V,400/230V,50HZ	5701715117
5	7180911	1	MOTOR W. WOBBLE DISC, 415V50HZ	415V,50HZ 15A	5701715128
5	7180912	1	MOTOR W. WOBBLE DISC 440/220V6	440/220V,60HZ	5701715123
5	7180968	1	MOTOR W. WOBBLE DISC	110V,50HZ-15A,	5701715128
5	7180969	1	MOTOR W. WOBBLE DISC	100V/1/50HZ-15A	5701715128
5	7180970	1	MOTOR W. WOBBLE DISC	100V/1/50HZ-15A	5701715128
5	7180971	1	MOTOR W. WOBBLE DISC	220V,60HZ-12A	5701715128
5	7180973	1	MOTOR 1X230V 50HZ 12A	230V-12A	5701715317
5	7180974	1	MOTOR USE 7180973	230V,50HZ-10A	5701715317
7	1119703	1	WOBBLE DISC 50HZ REP.KIT	50HZ	5701715116
7	1119704	1	WOBBLE DISC 60HZ REP.KIT	60HZ-3PH.(1X230-240,12A)	5701715117
7	1119833	1	WOBBLE 12A 60HZ REP.KIT	US,KR,CH, 230V,60HZ,12A	5701715210
7	1119834	1	WOBBLE DISC 10/15A 50H REP.KIT	DK,CH, 230V,50HZ,10A	5701715127
7	1119836	1	WOBBLE DISC 15A 50HZ J REP.KIT	US,JP, 115V,60HZ, 100V,50HZ	5701715128
7	1119837	1	WOBBLE DISC 15A 60HZ J REP.KIT	JP, 100V,60HZ	5701715128
8	1119705	1	BEARING REPAIR KIT		5701715116
10	1602945	1	NITO COUPLING INT THREAD 3/4"		5701715024
11	3001237	1	GASKET Ø24,5XØ16X3		5701715037
12	3000320	1	O-RING 20X3 NITRIL		5701715037
13	1600659	1	NITO COUPLING HOSE END 3/4"	3/4	5701715023
13	1604669	1	NITO COUPLING HOSE END 1	1/2	5701715025
13	1605955	1	NIPPLE F. QUICK COUPLING L.P	US	5701715026
14	8298	1	HOSE CLIP 16-27		4005337082
20	7180903	1	CYLINDER BLOCK, COMPL. 30CA	UP TO 47.1999	5701715116
20	7180904	1	CYLINDER BLOCK COMPL.	FROM 48.1999	5701715276
21	1119706	1	PISTON REP.KIT	UP TO 47.1999	5701715116
21	1119791	1	PISTON REP.KIT	FROM 48.1999	5701715137
22	2601417	1	SPRING	UP TO 47.1999	5701715035
22	2602490	1	SPRING	FROM 48.1999	5701715137
24	3003654	1	O-RING 80X2 NITRIL		5701715038
25	6122313	1	PLUG WITH O-RING		5701715003
26	7181005	1	CYLINDER BLOCK		5701715138
27	6125144	1	FILTER		5701715071
28	1807833	1	CLAMPING RING		5701715014
29	7180462	1	UNION, INLET		5701715117
30	3001690	1	O-RING 19.3X2.4 NITRIL 70SH		5701715038
31	3004222	1	O-RING 15.1 X 1.6 NITRIL SH 90		5701715014
32	3001823	1	O-RING 6.1X1.6 NITRIL 70 SH		5701715038
33	3003696	1	OIL SLEEVE		5701715038
34	6122486	1	THRUST COLLAR	UP TO 47.1999	5701715068

Motor pump unit

30C, 30CA

04-08-2008

Part List ID
30CA06

10

Pos	Part no.	Qty	Description	EAN
34	7181006	1	THRUST RING FROM 48.1999	5701715138
35	3004259	1	SLEEVE Ø14X22X6	5701715117
36	1718	1	GEKA COUPLING INT THREAD 3/4"	4005337017
37	6502	1	MOULDED GASKET GEKA COUPE	4005337065

Cylinder head assembly from 99.48.>

30C, 30CA

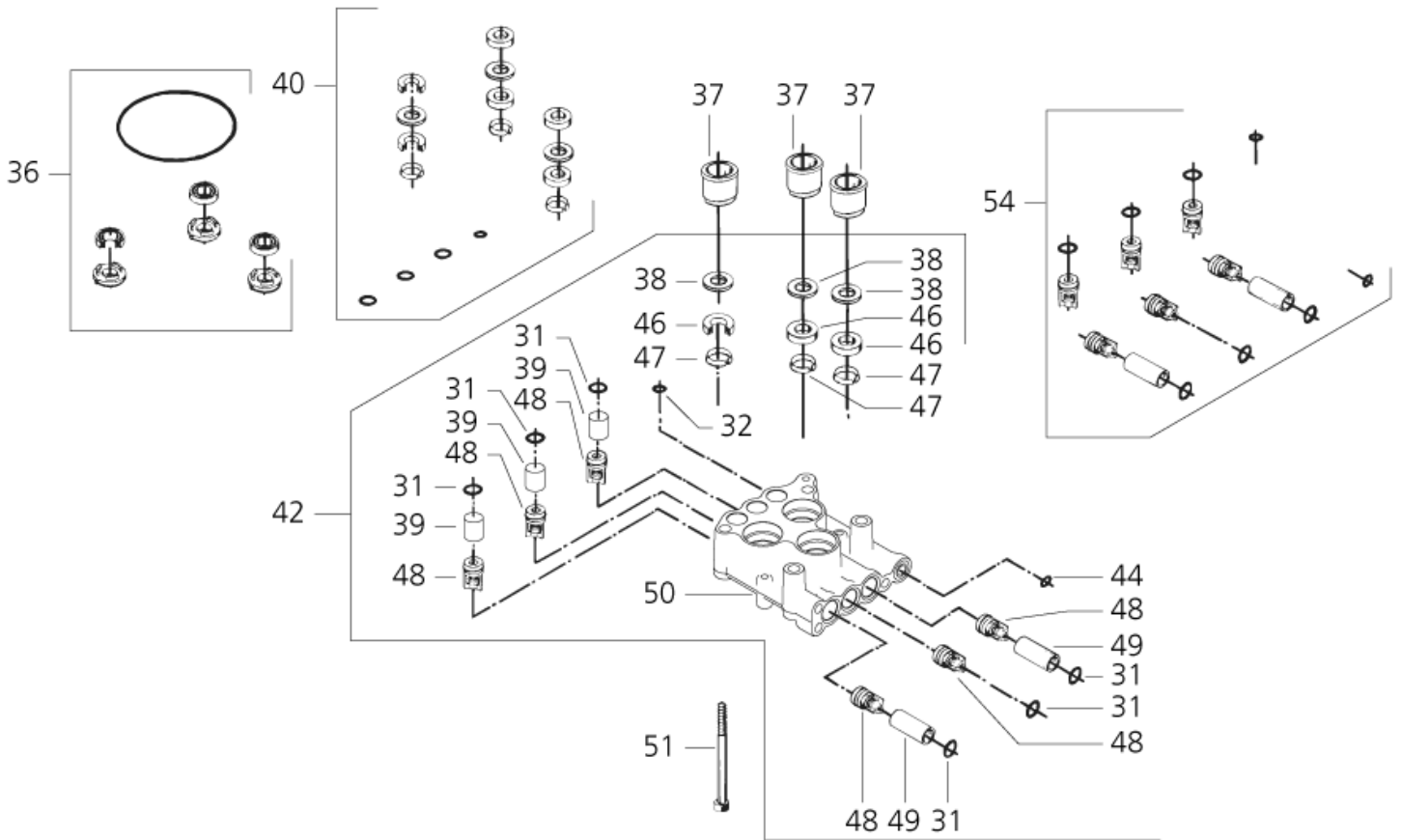
04-08-2008

Part List ID

30CA08

11

| 99.48 ⇒



Cylinder head assembly from 99.48.>

30C, 30CA

04-08-2008

Part List ID

30CA08

12

Pos	Part no.	Qty	Description		EAN
31	3004222	1	O-RING 15.1 X 1.6 NITRIL SH 90		5701715014
32	3001823	1	O-RING 6.1X1.6 NITRIL 70 SH		5701715038
36	1119800	1	OIL SEAL REP.KIT	FROM 48.1999	5701715137
37	7181020	1	THRUST COLLAR	FROM 48.1999	5701715138
38	3004277	1	BACK-UP RING 14X22X1.9	FROM 48.1999	5701715137
39	7181029	1	BUSH	FROM 48.1999	5701715215
40	1119801	1	SAELING SYSTEM REP.KIT	FROM 48.1999	5701715137
42	7181910	1	CYLINDER HEAD, COMPL.	FROM 48.1999	5701715138
44	42768	1	O-RING Ø 11,2X1,8		4005337427
46	3004227	1	U-SLEEVE		5701715039
47	3004228	1	WS-RING		5701715039
48	7180906	1	VALVE COMPL.		5701715117
49	6122475	1	SPACER FOR VALVE		5701715068
50	7181028	1	CYLINDER HEAD	FROM 48.1999	5701715215
51	2787	1	CAP SCREW M 8X 90		4005337027
54	1119707	1	VALVE SYSTEM REP.KIT		5701715116

Cylinder head assembly up to 99.48 I

30C, 30CA

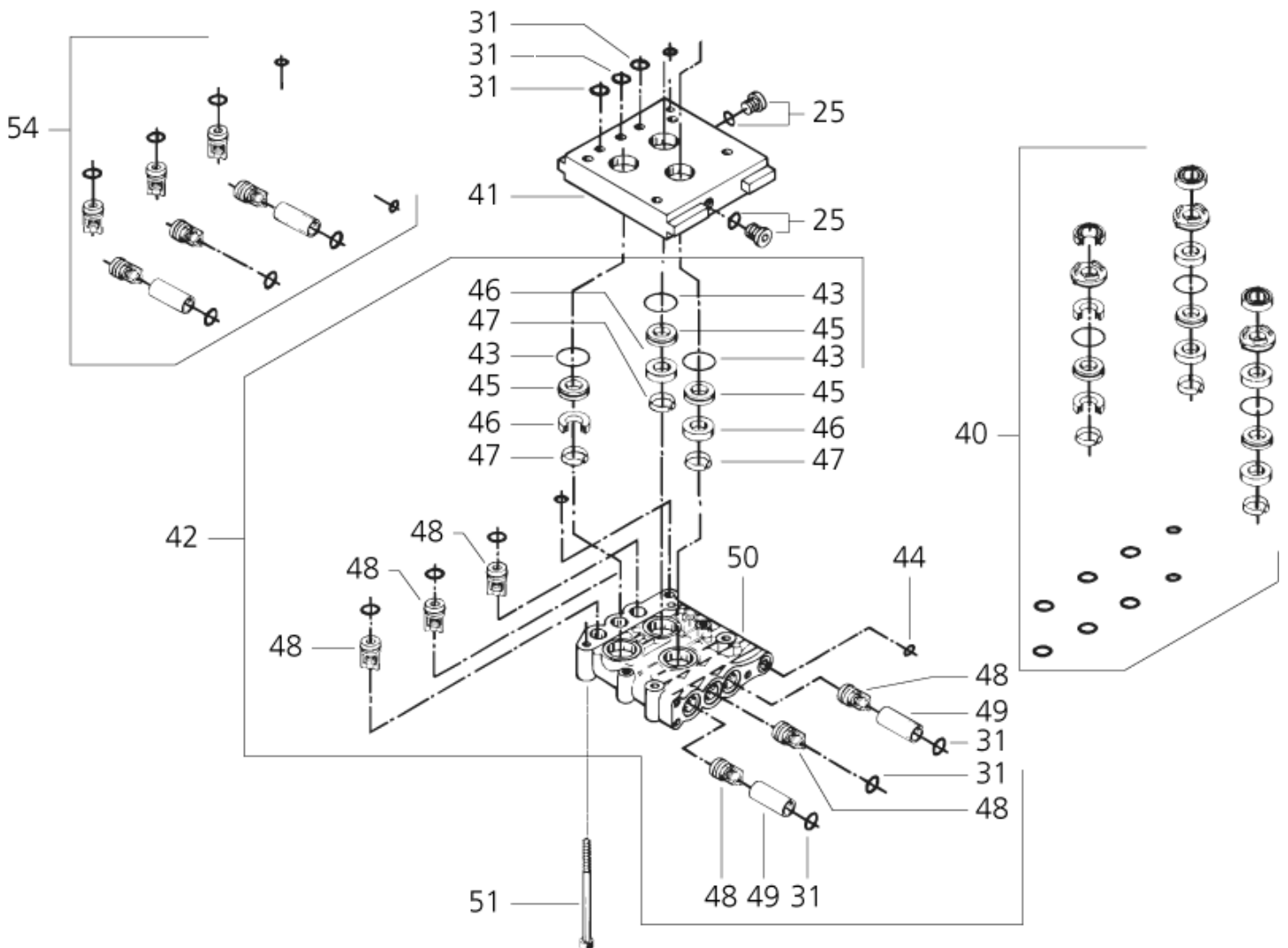
04-08-2008

Part List ID

30CA10

13

⇒ 99.47 |



Cylinder head assembly up to 99.48 I

30C, 30CA

04-08-2008

Part List ID

30CA10

14

Pos	Part no.	Qty	Description		EAN
25	6122313	1	PLUG WITH O-RING	UP TO 47.1999	5701715003
31	3004222	1	O-RING 15.1 X 1.6 NITRIL SH 90		5701715014
32	3001823	1	O-RING 6.1X1.6 NITRIL 70 SH		5701715038
40	1119713	1	SEALING SYSTEM 30CA REP.KIT	UP TO 47.1999	5701715116
41	7180457	1	INTERMEDIATE PLATE	UP TO 47.1999	5701715117
42	7180905	1	CYLINDER HEAD COMPL. 30CA	UP TO 47.1999	5701715117
43	3004230	1	O-RING 22,22X2,62	UP TO 47.1999	5701715039
44	42768	1	O-RING Ø 11,2X1,8		4005337427
45	6124141	1	CENTERING RING	UP TO 47.1999	5701715070
46	3004227	1	U-SLEEVE		5701715039
47	3004228	1	WS-RING		5701715039
48	7180906	1	VALVE COMPL.		5701715117
49	6122475	1	SPACER FOR VALVE		5701715068
50	7180475	1	CYLINDER HEAD	UP TO 47.1999	5701715117
51	2787	1	CAP SCREW M 8X 90		4005337027
54	1119707	1	VALVE SYSTEM REP.KIT		5701715116

By-pass valve, 30C, 30CA

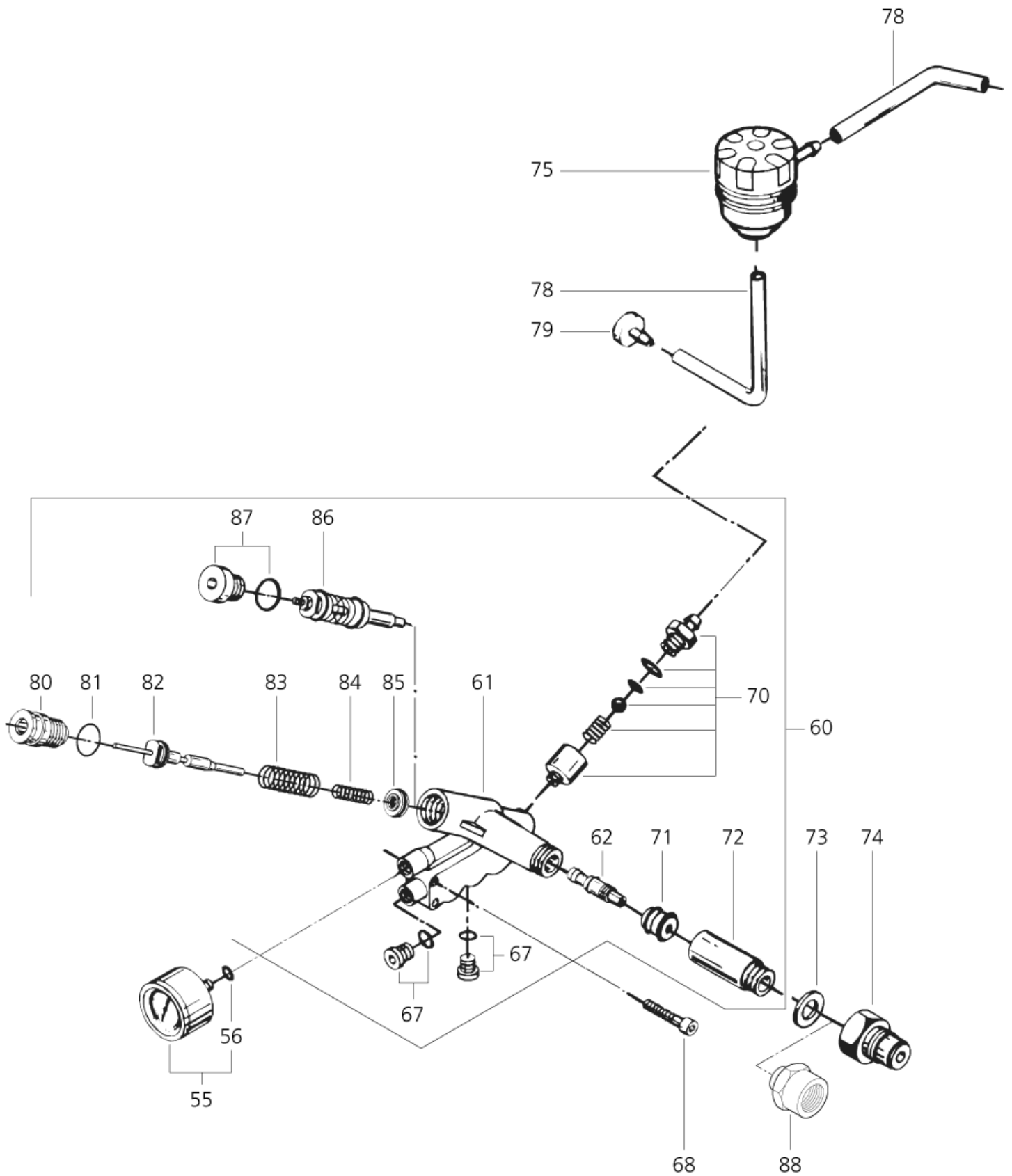
30C, 30CA

04-08-2008

Part List ID

30CA12

15



By-pass valve, 30C, 30CA

30C, 30CA

04-08-2008

Part List ID

30CA12

16

Pos	Part no.	Qty	Description		EAN
55	7180931	1	PRESSURE GAUGE WITH O-RING		5701715116
56	3003662	1	O-RING 6.0X2.0 NITRIL 70 SH		5701715038
60	7180940	1	BY-PASS VALVE, COMPL. 30CA	UP TO 99.47 I, 3 PH	5701715116
60	7180941	1	BY-PASS VALVE COMPL. BLUE	UP TO 99.47 I, 30CA BLUE 1 PH	5701715208
60	7180942	1	BY-PASS VALVE COMPL. GREEN	UP TO 99.47 I, GREEN 1PH 10A -DK, CH	5701715208
60	7180943	1	BY-PASS VALVE COMPL. 30C I	UP TO 99.47 I, 30C BLUE 1PH	5701715256
60	7180944	1	BY-PASS VALVE, COMPL. 3PH	FROM 99.48 >	5701715264
60	7180945	1	BY-PASS VALVE, COMPL. 1PH	FROM 99.48 >	5701715264
60	7180946	1	BY-PASS VALVE, COMPL. 10A	FROM 99.48 >	5701715264
60	7180947	1	BY-PASS VALVE, COMPL. 30C	FROM 99.48 >, 30C Compact I, 30C Special	5701715264
61	107180690	1	VALVE HOUSING W. BUSHING		5701715415
61	7180657	1	BY-PASS VALVE		5701715298
62	6124310	1	STEERING NOZZLE, COMPL.		5701715070
62	6124311	1	STEERING NOZZLE BLUE		5701715070
62	7180932	1	STEERING NOZZLE GREY		5701715117
67	6123655	1	PLUG W. O-RING REP.KIT		5701715069
68	1814573	1	SCREW M6X35		5701715117
68	6863	1	SCREW M8X35		4005337068
70	6124314	1	HOSE TAIL, COMPL.		5701715070
71	6124316	1	NIPPLE W. O-RING		5701715070
72	7180461	1	THREADED PIECE - BRASS		5701715117
73	1801075	1	PACKING RING Ø 23,8X Ø 17,2		5701715027
74	1600493	1	ERGO COUPLING MALE 3/8		5701715023
75	7180907	1	METERING UNIT		5701715116
78	5206636	1	HOSE Ø6/Ø10	PLEASE INDICATE LENGTHS IN METRES WHEN ORDERING	5701715046
79	6400240	1	FILTER		5701715097
80	6523000	1	STUFFING BOX, COMPL.	30CA	5701715103
81	3004245	1	O-RING Ø15.88X2.62	30CA	5701715039
82	6523003	1	PISTON F. S/S, COMPL.	30CA	5701715313
83	2602431	1	SPRING FOR AUTO S/S LARGE	30CA	5701715035
84	2602509	1	SPRING FOR AUTO S/S	30CA	5701715316
85	7180930	1	SEAT F. S/S, COMPL.	30CA	5701715116
86	107180691	1	VALVE CONE COMPLETE 130BAR	30C, UK - STEEL PISTON	5701715420
86	6124313	1	VALVE CONE, COMPL.	30C	5701715070
87	6124334	1	PLUG W. O-RING	30C COMPACT I, 30C SPECIAL I	5701715071
88	64235	1	CONVERTER, KEW/WAP	WAP	4005337642

Hose reel

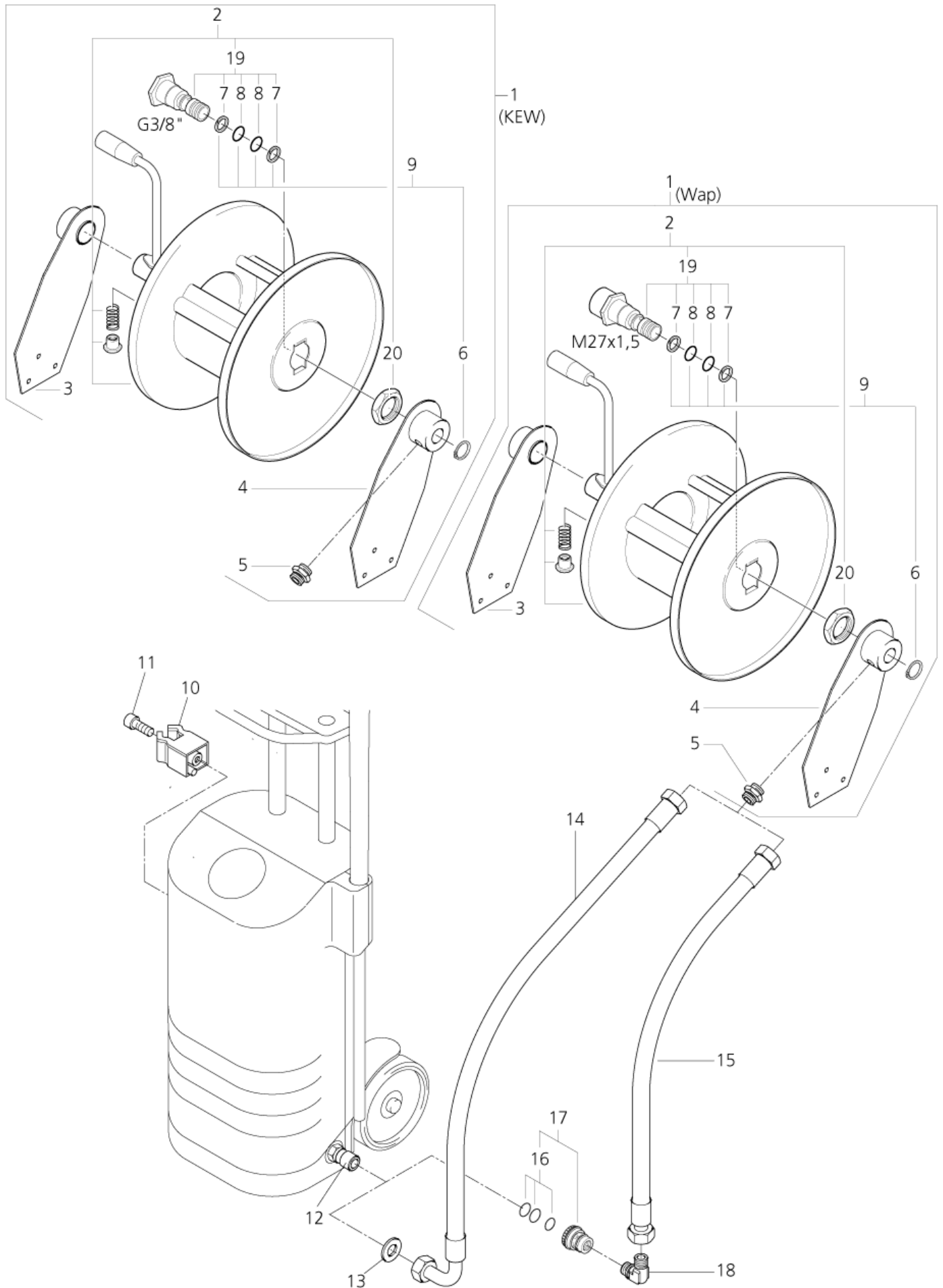
30C, 30CA

04-08-2008

Part List ID

30CA14

17



Hose reel

30C, 30CA

04-08-2008

Part List ID

30CA14

18

Pos	Part no.	Qty	Description		EAN
1	65557	1	HOSE REEL COMPLETE	KEW	4005337655
1	66023	1	SHL-TROMMEL D300 20MM27X	WAP	4005337660
2	63787	1	HOSE REEL Ø 270X170	WAP	4005337637
2	65574	1	HOSE REEL 270X170	KEW	4005337655
3	66021	1	PILLOW BLOCK 274,5X109X2		4005337660
4	66022	1	PILLOW BLOCK 274,5X109X2,		4005337660
5	54590	1	FITTING XGE12L 1/4NPT		4005337545
6	32524	1	RETAINING RING 20X1,2		4005337325
7	63792	1	SUPPORTING RING Ø16,26X2,18		4005337637
8	19620	1	O-RING Ø 15.54X2.62		4005337196
9	62317	1	GASKET SET FOR HOSE DRUM		4005337623
10	65447	1	BRACKET		4005337654
11	11253	1	SCREW 5X20		4005337112
12	1600493	1	ERGO COUPLING MALE 3/8	KEW	5701715023
12	64235	1	CONVERTER, KEW/WAP	WAP	4005337642
13	65466	1	PACKING RING 8X15X1	WAP	4005337654
14	65457	1	HD-HOSE DN 8X405 M18X	WAP	4005337654
15	65455	1	HP-HOSE D8X380 M18X1,5	KEW	4005337654
16	1118132	1	O-RINGS F. QUICK COUPLING KIT	KEW	5701715019
17	106402075	1	ERGO COUPLING FEMALE 3/8"	KEW	5701715294
18	1823	1	SCREW WE 12L/R3/8"	KEW	4005337018
19	301000312	1	HP-CONNECTOR KIT 3/8	KEW	4005337672
19	301000313	1	HIGH PRESSURE COUPLING KI	WAP	4005337672
20	909100126	1	NUT 6KT- M27X1,5 X 7 S		4005337679

Default accessoires

30C, 30CA

04-08-2008

Part List ID 30CA16

19

No Drawing For Part List

Default accessoires

30C, 30CA

04-08-2008

Part List ID

30CA16

20

Pos	Part no.	Qty	Description	EAN
1	101119735	1	NOZZLE 0340 INDICATION RING VIOLET	5701715324
1	101119736	1	NOZZLE 0350 INDICATION RING BORDEAUX	5701715324
1	101119738	1	NOZZLE 0400 INDICATION RING METAL GREY	5701715324
1	101119740	1	NOZZLE 0450 INDICATION RING LIGHT BLUE	5701715324
1	106402121	1	TORNADO 3000 LANCE 920 W/O NOZZLE	5701715324
1	106402141	1	FLEXOPOWER 3000 LANCE 920 W/O NOZZLE	5701715324
1	106402177	1	TURBOHAMMER 0350 W12 3000 LANCE 1070	5701715329
1	106402190	1	SPRAY HANDLE W. SWIVEL LOCK	5701715325
1	1405569	1	10 M 1 WIRE HOSE Ø 5/16" DN8	5701715119
1	1405640	1	HP-HOSE Ø8X15M 3/8 150°C	Special 5701715302
1	65557	1	HOSE REEL COMPLETE	4005337655