

COMPACT 1050 X-TRA

Model:
C 1050 X-TRA



Part List US-English

27-06-2008

Nilfisk
ALTO
Why Compromise

www.nilfisk-alto.com

Table of Contents

COMPACT 1050 X-TRA

Cabinet	3
Motor	5

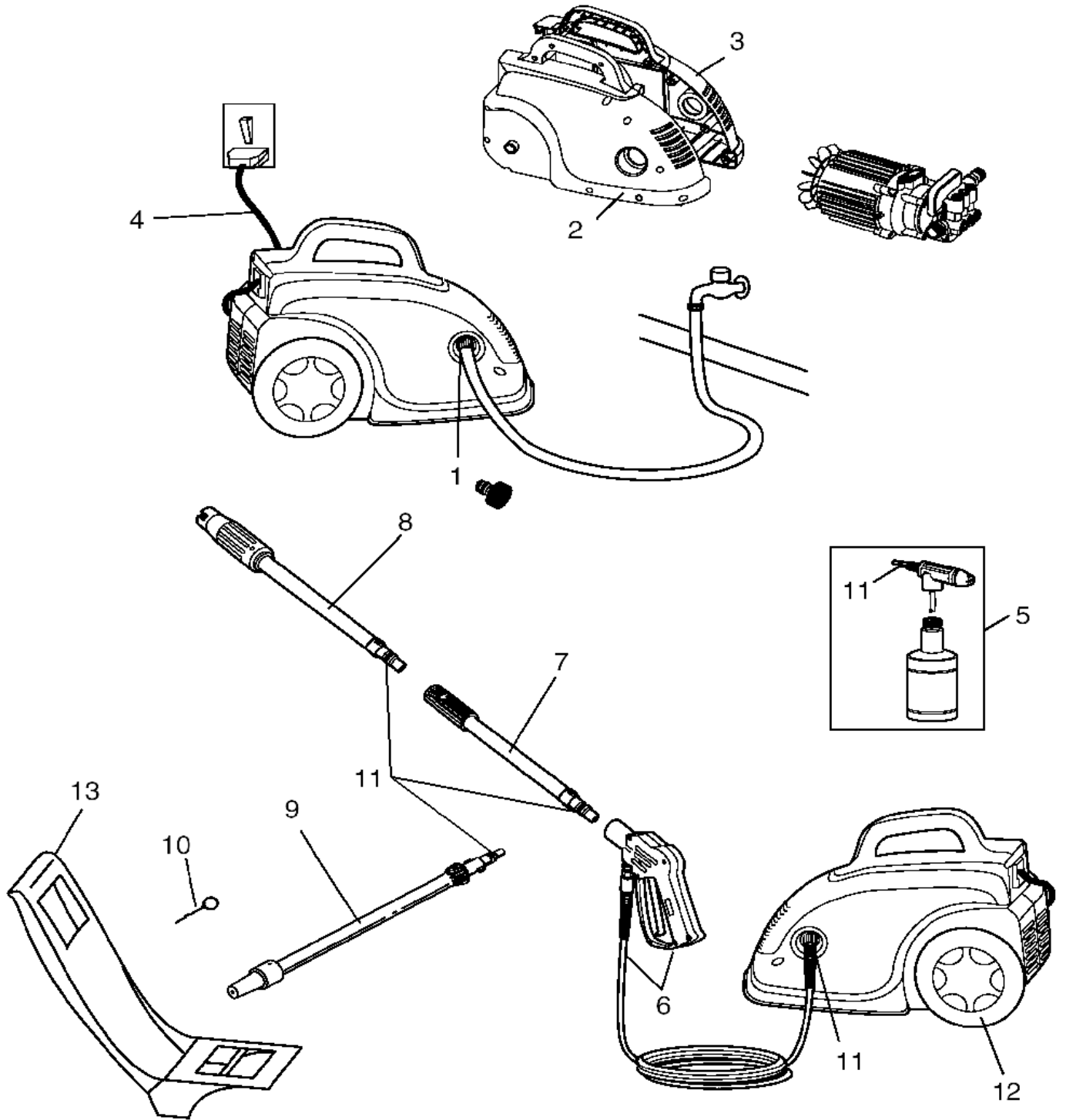
Cabinet

COMPACT 1050 X-TRA

27-06-2008

Part List ID
COMP105002

3



Cabinet

COMPACT 1050 X-TRA

27-06-2008

Part List ID
COMP105002

4

Pos	Part no.	Qty	Description	EAN
1	1402809	1	QUICK COUPLING MALE	5701715008
2	106481208	1	CABINET RIGHT	5701715319
3	106481209	1	CABINET LEFT	5701715319
4	106481206	1	ELECTIC CABLE 5M	5701715323
5	106481223	1	FOAM SPRAYER W. BOTTLE	5701715319
6	106481200	1	SPRAY HANDLE WITH HOSE 5	5701715319
7	106481204	1	EXTENTION TUBE	5701715319
8	106481202	1	STANDARD LANCE	5701715319
9	106481201	1	POWERSPEED LANCE	5701715319
10	6401654	1	NOZZLE CLEANING PIN	5701715003
11	106481203	1	O-RING KIT (3 PCS)	5701715317
12	106481210	1	WHEEL, COMPL.	5701715319
13	106481225	1	DRIVING HANDLE	5701715334

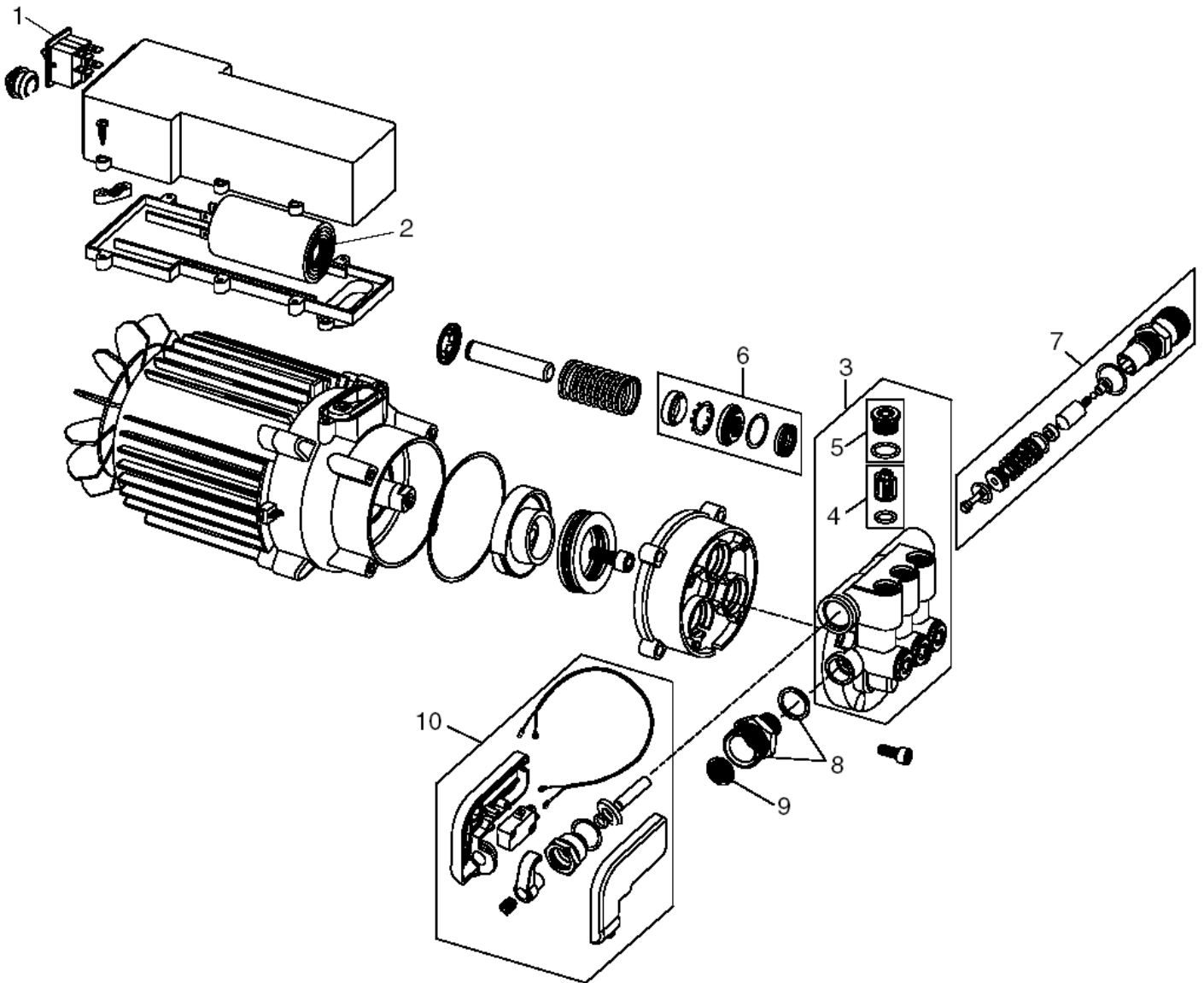
Motor

COMPACT 1050 X-TRA

27-06-2008

Part List ID
COMP105004

5



Motor

COMPACT 1050 X-TRA

27-06-2008

Part List ID
COMP105004

6

Pos	Part no.	Qty	Description	EAN
1	106481207	1	PUSH BUTTON SWITCH	5701715319
2	106481215	1	CAPASITOR	5701715319
3	106481219	1	CYLINDER BLOCK COMPL.	5701715319
4	106481217	1	VALVE SEAT W. O-RING	5701715323
5	106481218	1	PLUG WITH O-RING	5701715319
6	106481222	1	SEAL KIT	5701715317
7	106481211	1	VALVE COMPL.	5701715319
8	106481221	1	REDUCTION W. O-RING	5701715319
9	106481220	1	FILTER	5701715319
10	106481224	1	MICRO SWITCH BOX + CABLE,	5701715319