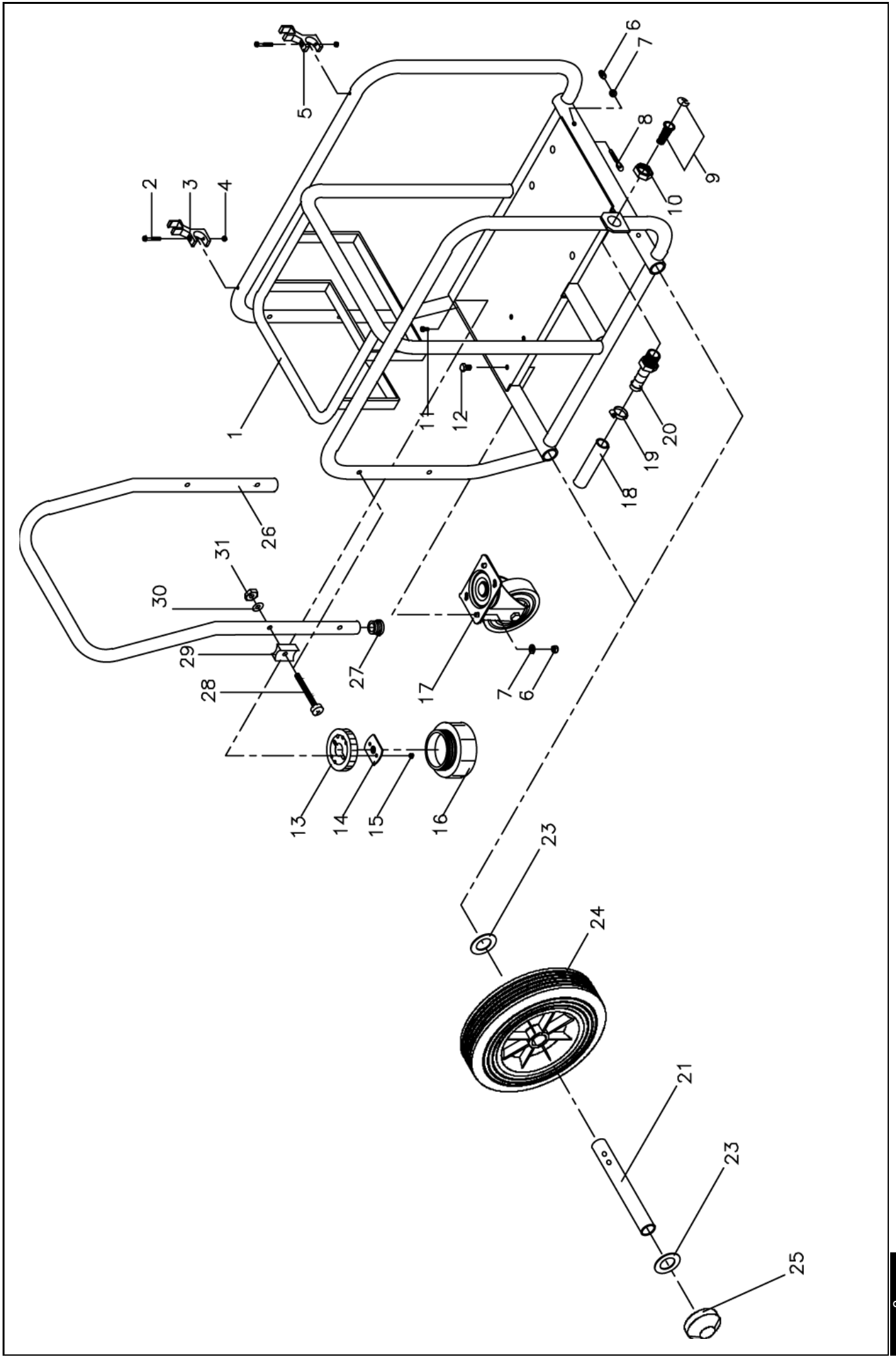

600P / 600PX

Reservedelsliste
Spare parts list
Ersatzteilliste
Liste de pièces détachées

Ramme 600P / Frame 600P / Rahmen 600P / Cadre 600P	2
Pistol 98 / Pistol 98 / Pistole 98 / Pistolet 98	5
Ramme 600PX / Frame 600PX / Rahmen 600PX / Cadre 600PX	7
Motor / Motor / Motor / Moteur	11
Pumpe / Pump / Pumpe / Pomp	14
Pistol / Pistol / Pistole / Pistolet	17
Spulerør / Lances / Lanzen / Lance	19
Pistol / Pistol / Pistole / Pistolet	23

Ramme 600P / Frame 600P / Rahmen 600P / Cadre 600P

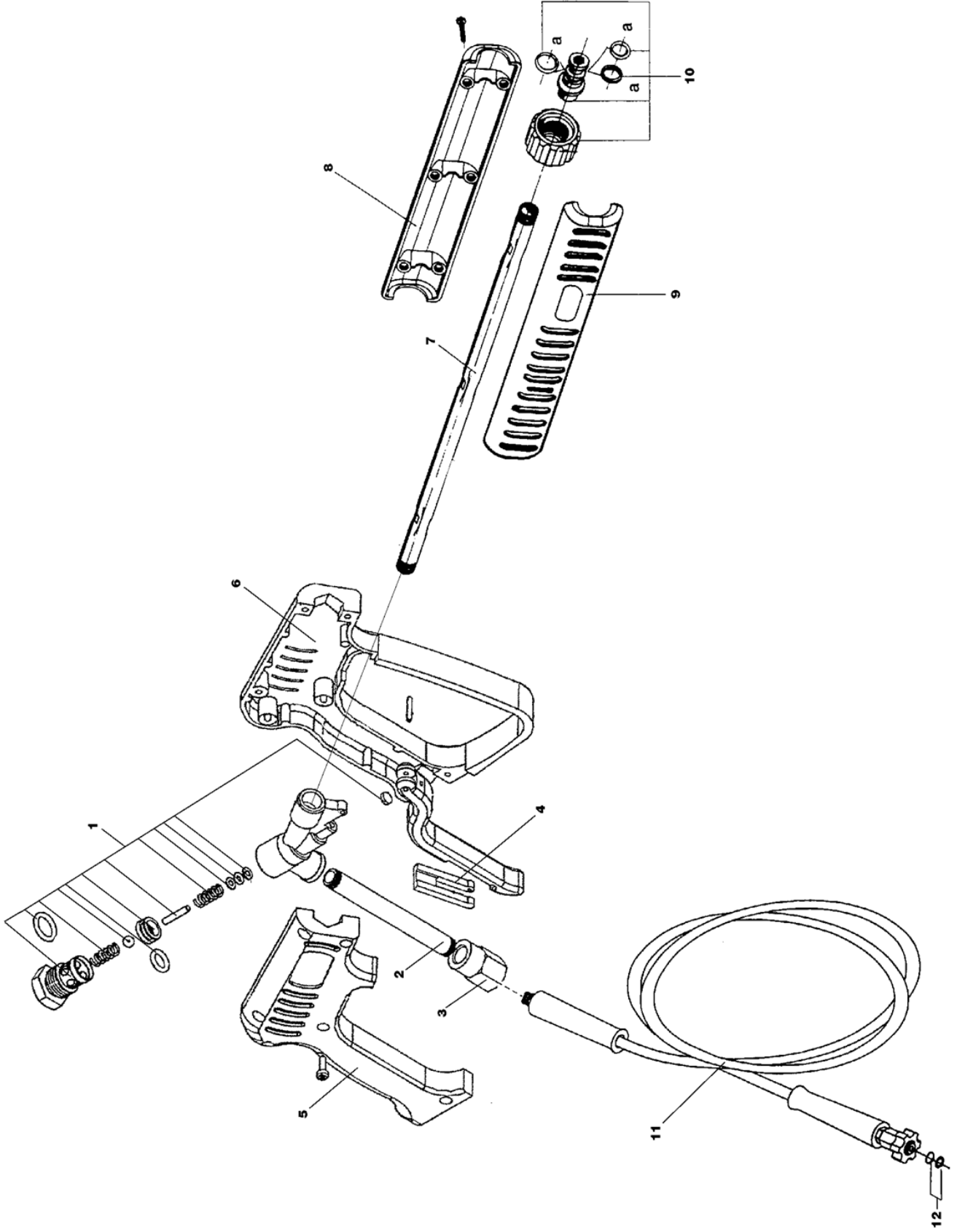


Ramme 600P / Frame 600P / Rahmen 600P / Cadre 600P

Pos.	Ref. no.	Betegnelse Description	Bezeichnung Description	600 PX	600 P
0	06300710	TRANSFER "OMLØB" TRANSFER "BY PASS"	KLEBSTREIFEN AUTOCOLLANT, BY-PASS 15 MIN. AU MAXIMUM	1	1
0	06301619	TRANSFER "ADVARSEL" TRANSFERS "WARNING"	TRANSFERS WAHRNUNG G-880 AUTOCOL."AVERTISSEMENT"	1	1
0	06301663	TRANSFER "CE" TRANSFERS "CE"	TRANSFERS CE MARKE AUTOCOLLANT	1	1
0	06301900	TRANSFERS, 600P TRANSFERS, 600P	AUTOCOLLANT, 600P	1	1
0	06301922	TRANSFERS GERNI TRANSFERS GERNI	KLEBSTREIFEN GERNI AUTOCOLLANT GERNI	1	1
02	06070345	SKRUE, 5X35 SCREW, 5X35	SCHRAUBE, P/K, GALV. VIS T/L GALV.	2	2
03	06200442	HOLDER FOR PISTOL , R.D.:150598 HOLDER FOR PISTOL , R.D.:150598	SUPPORT POUR PISTOLET	1	1
04	06080084	MØTRIK, M5 NUT, M5	MUTTER, GALV. ECROU GALVANISE	2	2
05	06200052	SPULERØRSHOLDER LANCE HOLDER	LANZENHALTER PLASTIK SUPPORT LANCE 600P	1	1
06	06080038	MØTRIK, M8 NUT, M8	SELBSTSCHLIESSENDE MUTTER, GALV. ECROU	6	6
07	06080004	SPÆNDESKIVE, 8,4X17X1,6 TENSION DISC. : 8,4X17X1,6	FEDERSCHHEIBE, GALV. RONDELLE	6	6
08	06070401	UNBRACO SKRUE, M8X40 ALLEN SCREW, M8X40	IMBUSSBOLZEN, GALV. BOULON A TETE CYLINDRIQUE GALV.	2	2
09	06260825	VANDFILTERKIT, G-100 WATER FILTER KIT, G-100	WASSERFILTERKIT FILTRE EAU G 100	1	1
10	06180384	KONTRAMØTRIK, 3/4" COUNTER NUT, 3/4"	GEGENMUTTER CONTRE ECROU NV 32 X 8	1	1
11	06070343	SKRUE, 5X10 SCREW, 5X10	SCHRAUBE, P/K, GALV. VIS	2	2
12	06070085	SÆTSKRUE, M8X16 SET SCREW, M8X16	SETZSCHRAUBE, GALV. VIS D'ARRRET, GALVANISEE	4	4
13	06150008	SKRUELAG FOR SLAMGLAS, 13X30 SCREW COVER, 13X30	SCHRAUBDECKEL F. SCHLAMMGLAS COUVERCLE A VISSER POUR VE DEJECT	1	1
14	06060952	MONTAGE PLADE, 42X64X2 MOUNTING PLATE, 42X64X2	MONTAGEPLATTE F. SCHLAMMGLAS G200 SUPPORT FIXATION HUILE G6. D"HUILE	1	1
15	06080084	MØTRIK, M5 NUT, M5	MUTTER, GALV. ECROU GALVANISE	2	2
16	06150112	SLAMGLAS OIL WASTE GLASS	SCHLAMMGLAS KLEINER TYP BOCAL DE RECUPERATION D"HELEVE	1	1
17	06130118	DREJHJUL, 125X88 TURNING WHEEL, 125X88	DREH RAD F.FOX V. 2-1-7 ROUE CONDUCTRICE POUR FOX	1	1
18	06110467	TILGANGSSLANGE, 3/4" X 520 MM INLET HOSE, 3/4" X 520 MM	EINLASS-SCHLAUCH TUYAU ENTREE 4001	1	1

Ramme 600P / Frame 600P / Rahmen 600P / Cadre 600P

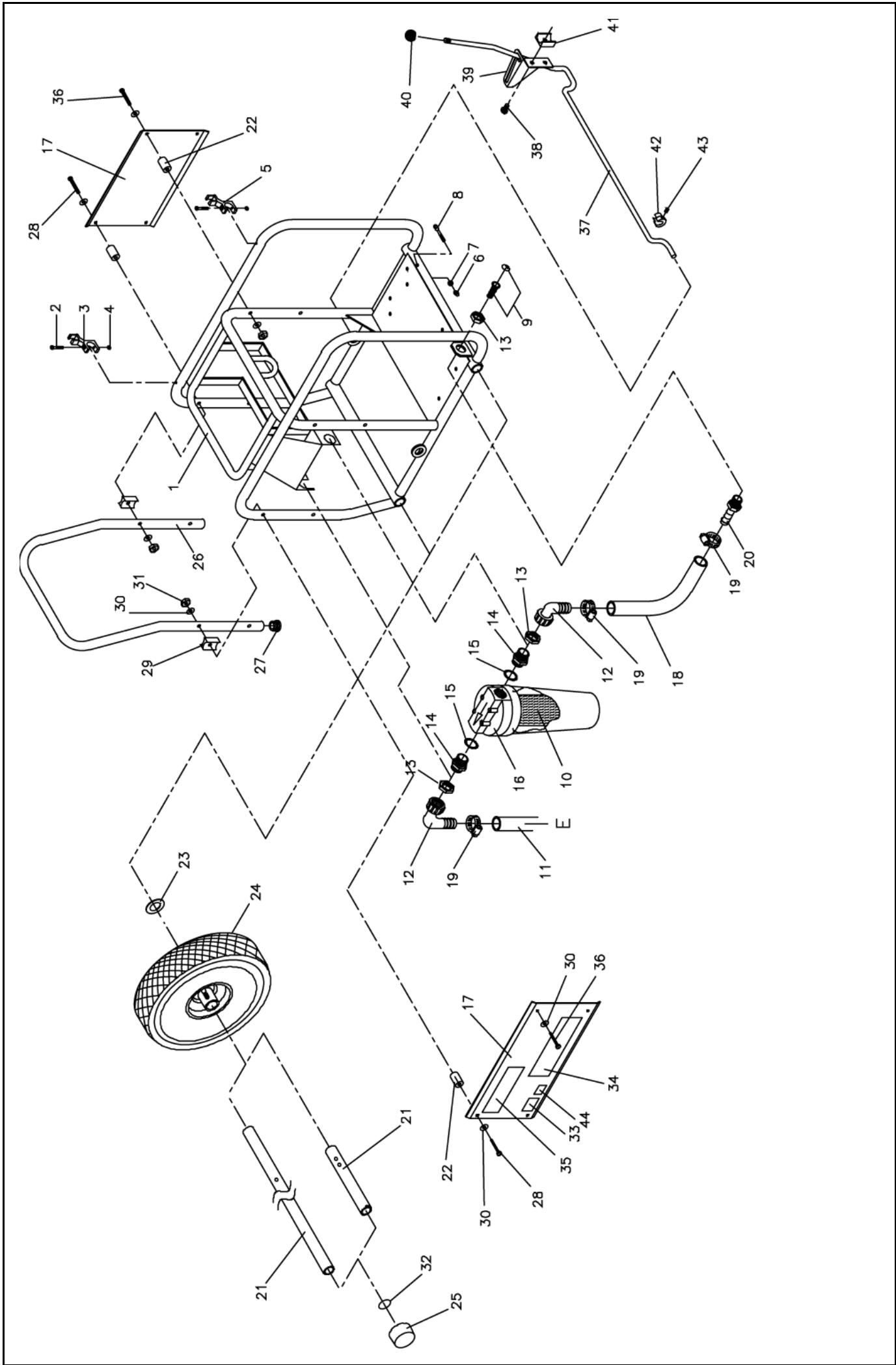
Pos.	Ref. no.	Betegnelse Description	Bezeichnung Description	600 PX	600 P
20	06180835	TILGANGSNIPPEL, 29X58 INLET NIPPLE, 29X58	EINLASSNIPPEL RACCORD D'ENTREE D'EAU G5 G500/G600	1	
21	06051037	HJULAKSEL, Ø25X2X197 WHEEL AXLE, Ø25X2X197	ARBRE DE ROUE	2	
23	06080075	SPÆNDESKIVE, 45X25.5X1.5 TENSION DISC, 45X25.5X1.5	FEDERSCHEIBE F. RAD, GALV. RONDELLE DE SERRAGE POURUUE	4	
24	06130222	HJUL, 25/65-275/70 WHEEL, 25/65-275/70	ROUE PLEINE DURE	2	
25	06280200	LÅSESKIVE, Ø25 LOCK WASHER, Ø25	ENJOLIVEUR ROUE	2	



Pistol 98 / Pistol 98 / Pistole 98 / Pistolet 98

Pos.	Ref. no.	Betegnelse Description	Bezeichnung Description	600 PX	600 P
0	06290028	PISTOL ASTRA 320 3/8 PISTOL, 98	PISTOLE ASTRA 320 PISTOLET MRM320=290113	1	
01	06261543	SERVICEKIT F. PISTOL MTM SERVICE KIT FOR PISTOL , MTM	KIT F. PISTOLE MTM KIT DE SERVICE P.PISTOLET	1	
02	06050981	TILGANGSRØR INLET PIPE	EINLASSROHR F. PISTOL TUBE D'ENTREE PISTOLET	1	
03	06261950	DREJELED, KPL. SWIVEL, CPL.	DREHGELENK JOINT TOURNANT, CPL.	1	
04	06200384	SIKKERHEDSPAL SAFETY LOCK	SPERVORRICHTUNG ARRET DE SURETE MTM	1	
05	06200420	PISTOLKROP PISTOL HOUSING	PISTOLKÖRPER RECHTS CORPS DE PISTOLET	1	
06	06200421	PISTOLKROP PISTOL HOUSING	PISTOLKÖRPER LINKS CORPS DE PISTOLET	1	
07	06050980	FORRØR FOR PISTOL FRONT PIPE FOR PISTOL	VORDERROHR F. PISTOLE TUBE	1	
08	06200423	KAPPE VENSTRE CAP LEFT	KAPPE FÜR FOHRROHR LINKS CARTER DE PISTOLETUCHE UCHE	1	
09	06200422	KAPPE, HØJRE CAP, RIGHT	KAPPE FÜR VORROHR RECHTS CARTER DE PISTOLETOITE OITE	1	
10	06261568	SKRUEKOBLING FOR PISTOL SCREW COUPLING FOR PISTOL	SCHRAUBENKUPPLUNG F. PISTOLE RACCORD D'ACCOUPLLEMENT P.OLETS	1	
10A	06261547	PAKNINGSKIT F. SKRUEKOBL. GASKET KIT FOR SCREW COUPLING	SCHRAUBKUPPLUNG KIT P. JOINTS TORIQUES RACC.A.VIS	1	
11	06110200	HØJTRYKSSLANG DN10X10M HIGH PRESSURE HOSE, 3/8"X3/8" NIPPLE, Ø10 MM 10 M	HOCHDRUCKSCHLAUCH FLEXIB.HP 10M/DIAMETRE 10	1	
12	06260936	PAKNINGSKIT F. SKRUEKOB. GASKET KIT FOR SCREW COUPLING	DICHTUNGSKIT F. SCHRAUBENKUPPLUNG KIT JOINT RACCORD VIS VIS	1	

Ramme 600PX / Frame 600PX / Rahmen 600PX / Cadre 600PX



Ramme 600PX / Frame 600PX / Rahmen 600PX / Cadre 600PX

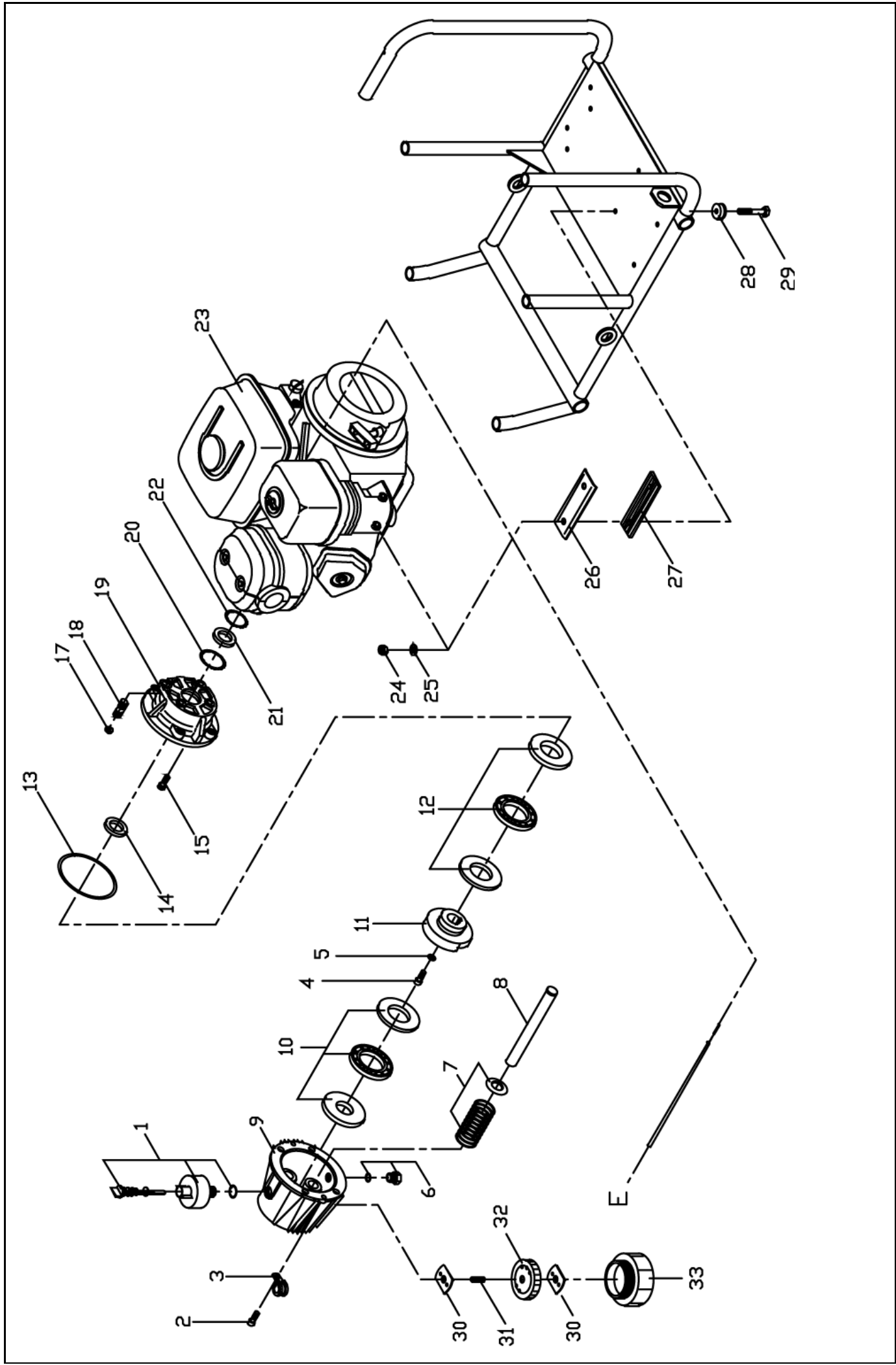
Pos.	Ref. no.	Betegnelse Description	Bezeichnung Description	600 PX	600 P
01	06282363	STEL N/G600P/PX/D/DE600P FRAME FOR 600P/PX/D/DE	RAHME N/G600P/PX/D/DE CHASSIS N/G600P/PX/D/DEG	1	
02	06070345	SKRUE, 5X35 SCREW, 5X35	SCHRAUBE, P/K, GALV. VIS T/L GALV.	2	
03	06200442	HOLDER FOR PISTOL, R.D.:150598 HOLDER FOR PISTOL, R.D.:150598	SUPPORT POUR PISTOLET	1	
04	06080084	MØTRIK, M5 NUT, M5	MUTTER, GALV. ECROU GALVANISE	2	
05	06200052	SPULERØRSHOLDER LANCE HOLDER	LANZENHALTER PLASTIK SUPPORT LANCE 600P	1	
06	06080038	MØTRIK, M8 NUT, M8	SELBSTSCHLIESSENDE MUTTER, GALV. ECROU	6	
07	06080004	SPÆNDESKIVE, 8,4X17X1,6 TENSION DISC, 8,4X17X1,6	FEDERSCHEIBE, GALV. RONDELLE	2	
08	06070401	UNBRACO SKRUE, M8X40 ALLEN SCREW, M8X40	IMBUSSBOLZEN, GALV. BOULON A TETE CYLINDRIQUE GALV.	4	
09	06260825	VANDFILTERKIT, G-100 WATER FILTER KIT, G-100	WASSERFILTERKIT FILTRE EAU G 100	1	
10	06180384	KONTRAMØTRIK, 3/4" COUNTER NUT, 3/4"	GEGENMUTTER CONTRE ECROU NV 32 X 8	1	
11	06110463	SLANGE, 3/4" X 275 HOSE, 3/4" X 275	DRUCKLUFTSCHLAUCH TUYAU D'ENTREE D'EAU G-66	1	
12	06030681	VINKELSTUDS, 3/4" ANGLE SOCKET, 3/4"	WINKELSTUTZEN PLASTIK RACCORD EQUERRE PLASTIQUE	2	
13	06181129	MØTRIK, 36X8 NUT, 36X8	GEGENMUTTER ECROU G-3000	2	
14	06181517	NIPPEL, 3/4"-3/4" NIPPLE, 3/4"-3/4"	RACCORD, 3/4"-3/4"	2	
15	06120051	O-RING, 25.3X2.4 O-RING, 25.3X2.4	O-RING JOINT TORIQUE	2	
16	06100328	VANDFILTER, 3/4 WATER FILTER, 3/4	FILTER - SEHEN SIE 261648 FILTRE A EAU 600PX	1	
17	06061473	SIDEPLADE GRØN, G600D/P SIDE PALTE GREEN, G600D/P	PLAQUE DE COTE VERT, G600D/P	2	
17	06061474	SIDEPLADE GRÅ, N600D/PX SIDE PALTE GREY, N600D/PX	PLAQUE DE COTE GRIS, N600D/PX	2	
18	06110666	TILGANGSSLANGE, 550 MM INLET HOSE, 550 MM	TUYAU D'ENTREE, 550 MM	1	
19	06110471	SPÆNDEBAND, 14-32 RETAINING RING, 14-32	SCHLAUCHSCHELLE HS12 FRETTE	4	
20	06180835	TILGANGSNIPPEL, 29X58 INLET NIPPLE, 29X58	EINLASSNIPPEL G500/600 RACCORD D'ENTREE D'EAU G5 G500/G600	1	
21	06051037	HJULAKSEL, Ø25X2197 WHEEL AXLE, Ø25X2197	ARBRE DE ROUE	4	

Ramme 600PX / Frame 600PX / Rahmen 600PX / Cadre 600PX

Pos.	Ref. no.	Betegnelse Description	Bezeichnung Description	600 PX	600 P
21	06051051	HJULAKSEL, Ø25X2X686 WHEEL AXLE, Ø25X2X686	RADWELLE Ø25X2X686 ARBRE DE ROUE, Ø25X2X686	2	
21	06051052	HJULAKSEL, Ø25X2X634 WHEEL AXLE, Ø25X2X634	ARBRE DE ROUE, Ø25X2X634	2	
22	06200480	AFSTANDSSTYKKE DISTANCE PIECE	SWISCHENSTÜCK PIECE INTERMEDIAIRE	8	
23	06080075	SPÆNDESKIVE, 45X25.5X1.5 TENSION DISC, 45X25.5X1.5	FEDERSCHEIBE F. RAD, GALV. RONDELLE DE SERRAGE POURUUE	4	
24	06130094	LUFTGUMMIHJUL, 12"X4" AIR RUBBER WHEEL, 12"X4"	LUFTGUMMIRAD ROUE CAOUTC.AIR 600P-PX	4	
24	06130222	HJUL, 25/65-275/70 WHEEL, 25/65-275/70	ROUE PLEINE DURE	4	
25	06280200	LÅSESKIVE, Ø25 LOCK WASHER, Ø25	ENJOLIVEUR ROUE	4	
26	06050971	KØREHANDTAG, Ø25X2X1290 OPERATION HANDLE, Ø25X2X1290	FAHRHANDGRIFF POIGNEE G600P	1	
27	06200064	DUPSKO, 25 CAP, 25	KAPPE BOUT	2	
28	06070891	SÆTSKRUE, M6X90 SET SCREW, M6X90	VIS D'ARRET, M6X90	4	
29	06200142	AFSTANDSSTYKKE, Ø25 DISTANCE PIECE, Ø25	DISTANZSCHEIBE ENTRETOISE TYPE D TYPE D	4	
30	06080016	SPÆNDESKIVE, 6 MM TENSION DISC, 6 MM	FEDERSCHEIBE, GALV. RONDELLE DE SERRAGE	16	
31	06080062	MØTRIK, M6 NUT, M6	SELBSTSCHLIESSENDE MUTTER, GALV. ECROU INDESSERRABLE LAITON	8	
32	06120572	O-RING, 23.4X3.5 O-RING, 23.4X3.5	JOINT 23.4 X 3.5	4	
33	06301619	TRANSFER "ADVARSEL" TRANSFERS "WARNING"	TRANSFERS WAHRNUNG G-880 AUTOCOL."AVERTISSEMENT"	1	
34	06301969	TRANSFERS, 600PX TRANSFERS, 600PX	AUTOCOLLANT, 600PX	2	
35	06301923	TRANSFERS GERNI TRANSFERS GERNI	KLEBSTREIFEN GERNI AUTOCOLLANT GERNI	2	
35	06301970	TRANSFERS, N/600PX TRANSFERS, N/600PX	AUTOCOLLANT, N/600PX	2	
36	06070756	SÆTSKRUE, M6X60 SET SCREW, M6X60	SETZBOLZEN, GALV. VIS	4	
37	06040201	BREMSESTANG, Ø10X1000 G830 BRAKE LEVER, Ø10X1000 G830	LEVIER DE FREIN, Ø10X1000 G830	2	
38	06070435	SKRUE, M6X16 SCREW, M6X16	TAP TITE P/K, GALV. VIS M6X16 2300/2500/2700	1	
39	06061447	LÅSEBSLAG FOR BREMSER LOCK FITTINGS FOR BRAKE	GARNITURE DE SERRURE P. FREINS	1	

Ramme 600PX / Frame 600PX / Rahmen 600PX / Cadre 600PX

Pos.	Ref. no.	Betegnelse Description	Bezeichnung Description	600 PX	600 P
40	06200288	KUGLE, M10 Ø32 BALL, M10 Ø32	KUGEL, SCHWARZ BOULETTE(NTE) NTE)	1	
41	06200103	AFSTANDSSTYKKE DISTANCE PIECE	ZWISCHENSTUECK ENTRETOISE	2	
42	06181005	BØSNING, Ø25X22 SLEEVE, Ø25X22	BUCHSE F. BREMSE G-6000 MANCHON POUR FREINS G-6000	1	
43	06070478	PINOLSKRUE, M6X8 POINTED SCREW, M6X8	REITSTOCKSCHRAUBE, ROSTFREI VIS	1	
44	06300710	TRANSFER "OMLØB" TRANSFER "BY PASS"	KLEBESTREIFEN AUTOCOLLANT, BY-PASS 15 MIN. AU MAXIMUM	1	



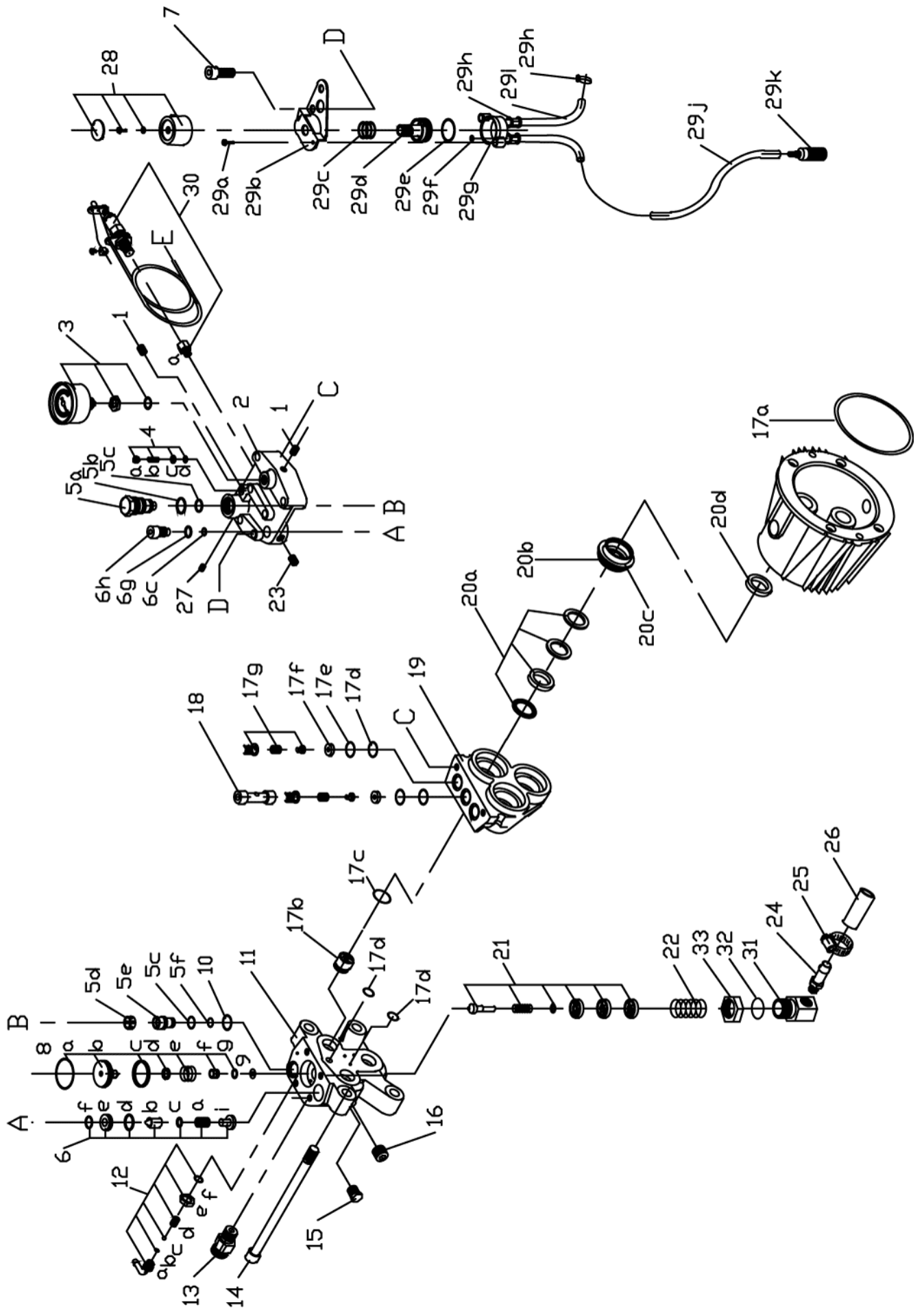
Motor / Motor / Moteur

Pos.	Ref. no.	Bezeichnung Description	600 PX	600 P
0	06261284	KIT FOR PUMPE, 617/6000 KIT FOR PUMP, 617/6000	1	1
0	06261445	O-RINGSKIT FOR PUMPE, 600/660/5/6000 O-RING KIT FOR PUMP, 600/660/5/6000	1	1
0	06360176	PUMPE KPL., G600P PUMP CPL., G600P	1	1
01	06261132	OLIEGLASKIT, JET/G135/G600 OIL GLASS KIT, JET/G135/G600	1	1
02	06070455	UNBRACO SKRUE, M8X25 ALLEN SCREW, M8X25	1	2
03	06080200	KABELHOLDER, 1/4" CABLE HOLDER, 1/4"	1	1
04	06070836	UNBRACO SKRUE, M8X20 ALLEN SCREW, M8X20	1	1
05	06080008	SPÆNDESKIVE, 10X19X1,5 TENSION DISC, 10X19X1,5	5	5
06	06260959	OLIEAFTAPNINGSPROP KPL., G100/G2000 DRAIN PLUG CPL., G100/G2000	1	1
07	06261037	FJEDERKIT SPRING KIT	1	1
08	06261430	STEMPELKIT, KERAMIK 1 STK. PISTON KIT, CERAMIC 1 PCS.	1	1
09	06180757	STEMPELSTYR, 600 PISTON GUIDE, 600	1	1
10	06260897	TRYKLEJEKIT PRESSURE BEARING KIT, G600	1	1
11	06180933	SKRÅSKIVE, 7,11 CAM DISC, 7,11	1	1
12	06260898	SKRÅKIVELEJEKIT CAM DISC BEARING KIT	1	1
13	06120310	O-RING, 117X3 O-RING, 117X3	1	1
14	06120376	SIMMERRING SEALING RING	1	1
14 -	06261593	MOTORFLANGE, KPL. MOTOR FLANGE, CPL.	1	1
15	06070821	SKRUE, 8X25 SCREW, 8X25	2	2
17	06080199	FLANGEMØTRIK, M8 FLANGED NUT, M8	2	2
18	06070748	UNBRACO PINOLSKRUE, M 8X40 ALLEN POINTED SCREW, M 8X40	2	2
19	06180920	MOTORFLANGE MOTOR FLANGE	1	1

Motor / Motor / Motor / Moteur

Pos.	Ref. no.	Betegnelse Description	Bezeichnung Description	600 PX	600 P
20	06120027	O-RING, 46.04X3.53 O-RING, 46.04X3.53	O-RING OELGLAS JOINT TORIQUE VERRE D'HUILE	1	1
21	06180923	AFSTANDSRING DISTANCE RING	DISTANZRING ANNEAU INTERMEDIAIRE	1	1
22	06120051	O-RING, 25.3X2,4 O-RING, 25.3X2,4	O-RING JOINT TORIQUE	1	1
23	06351020	HONDA BENZINMOTOR, 200/218/600P HONDA PETROL MOTOR, 200/218/600P	HONDA BENZINMOTOR MOTEUR HONDA 6 X 340		1
23	06351023	HONDA BENZINMOTOR, 13 HK GX 390LX HONDA PETROL MOTOR, 13 HK GX 390LX	HONDA MOTEUR ESSENCE, 13 HK GX 390LX	1	
24	06080043	MØTRIK, M 10 NUT, M 10	SELBSTSCHLIESSENDE MUTTER, GALV. ECROU INDESSERRABLE		4
25	06080008	SPÆNDESKIVE, 10X19X1,5 TENSION DISC, 10X19X1,5	FEDERSCHEIBE, GALV. RONDELLE DE SERRAGE GALVA		4
26	06060568	MOTORBESLAG, 103 MM. MOTOR FITTINGS, 103 MM.	MOTORBESCHLAG ARMATURE DE MOTEUR G-218P G-218P		2
26	06061463	MOTORBESLAG, 2X50X150 MOTOR FITTINGS, 2X50X150	ARMATURE DE MOTEUR , 2X50X150	2	
27	06120199	VIBRATIONSPLADE, 103 MM. VIBRATION PLATE , 103 MM.	VIBRATIONSPLATTE JOINT ANTI-VIBRATION POUR G-218P		2
28	06080117	SVINGNINGSDÆMPER, 218P VIBRATION DAMPER, 218P	SCHWENKUNGSDÄMPFER, BEARBEITET AMORTISSEUR DE VIBRATION 08-0041	4	4
29	06070389	SÆTSKRUE, M10X60 SET SCREW, M10X60	SETZBOLZEN, GALV. BOULON D'ARRET GALV.	4	4
30	06060952	MONTAGE PLADE , 42X64X2 MOUNTING PLATE , 42X64X2	MONTAGEPLATTE F. SCHLAMMGLAS SUPPORT FIXATION HUILE G6. D'HUILE	2	2
31	06180815	NIPPEL, Ø13X30 NIPPLE; Ø13X30	GEWINDENIPPEL RACCORD DE FILET G500/G60 G500/G600	1	1
32	06150008	SKRUELAG FOR SLAMGLAS, 13X30 SCREW COVER, 13X30	SCHRAUBDECKEL F. SCHLAMMGLAS COUVERCLE A VISSER POUR VE DEJECT	1	1
33	06150112	SLAMGLAS OIL WASTE GLASS	SCHLAMMGLAS KLEINER TYP BOCAL DE RECUPERATION D'HÉLEVE	1	1

Pumpe / Pump / Pumpe / Pomp

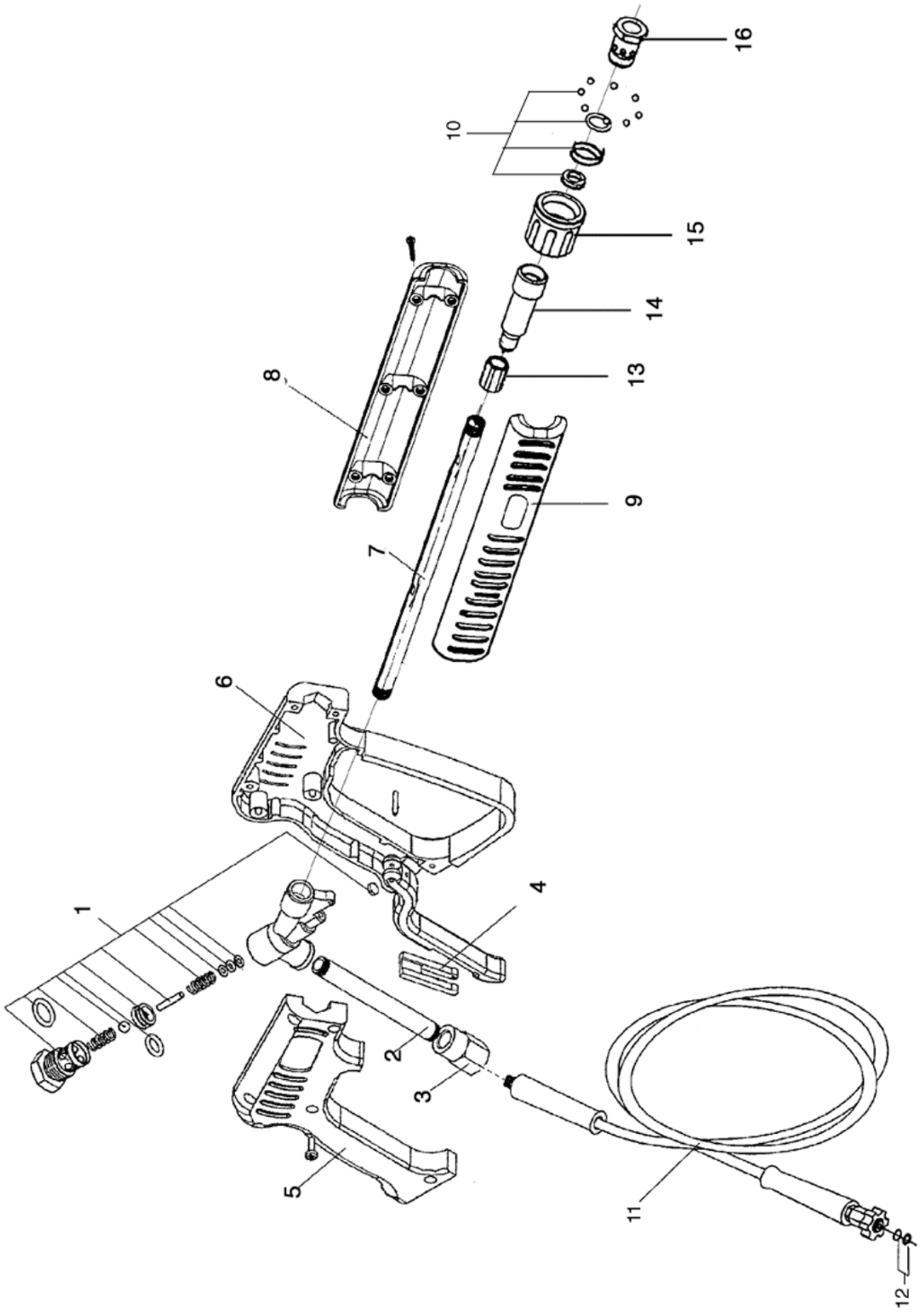


Pumpe / Pump / Pumpe / Pompe

Pos.	Ref. no.	Beegnelse Description	Bezeichnung Description	600 PX	600 P
01	06030554	RØRPROP, 1/8" PLUG FOR PIPE, 1/8"	ROHRSTOPFEN RACCORD	2	3
02	06180755	TRYKMANIFOLD, 600 PRESSURE MANIFOLD, 600	DRUCKMANIFOLD COLLECTEUR PRESSION G 600	1	1
03	06220042	MANOMETER, 250 BAR PRESSURE GAUGE, 250/3600 BAR/PSI/E/TP	TURBO MANOMETER MANOMETRE	1	1
04	06261131	JUSTERSKRUE ADJUSTING SCREW	JUSTIERSCHRAUBE F. MANOMETERDRUCK VIS REGLAGE PRESS.OUVERT.N D"OUVERTURE	1	1
05	06261154	SERVICEKIT INJEKTORDYSE, G6000 SERVICE KIT INJECTOR NOZZLE, G6000	SERVICEKIT INJEKTORDYSE KIT INJECTEUR DETERGENT D D"INJECTEUR	1	1
06	06260899	SIKKERHEDSVENTILKIT SAFETY VALVE KIT, G 600	SICHERHEITSVENTILKIT KIT VANNE BY PASS G-600-6-600	1	1
07	06070510	UNBRACO SKRUE, M10X40 ALLEN SCREW, M10X40	IMBUSSBOLZEN, GALV. BOULON G 600	6	6
08	06260900	OMLØBSVENTILKIT BY-PASS VALVE KIT	UMLAUFVENTILKIT KIT VANNE BY-PASS G600	1	1
09	06080188	FORMINDSKERSKIVE, 12X5X0,5 REDUCER DISC, 12X5X0,5	REDUZIERSCHEIBE, ROSTFREI RONDELLE	1	1
11	06180749	PUMPEHOVED, G600 PUMP HEAD, G600	PUMPENKOPF CULASSE G 600	1	1
12	06260902	KUGLEKONTRAVENTILKIT NON-RETURN BALL VALVE KIT	KUGELRUECKSCHLAGVENTIL KIT VANNE ANTI-RETOUR G 6 BILLE	1	1
13	06180441	SKRUEKOBLING HAN, 22X35 SCREW COUPLING MALE, 22X35	SCHRAUBENKUPPLUNG MAENNLICH RACCORD SORTIE HP	1	1
14	06070492	UNBRACO SKRUE, M12X200 ALLEN SCREW, M12X200	IMBUSSBOLZEN BOULON 12X200 G 600	4	4
15	06030642	RØRPROP, 3/8" PLUG FOR PIPE, 3/8"	ROHRPFROPFEN BOUCHON DE TUBE	1	1
16	06030472	PROP MESSING, 1/4" BRASS PLUG, 1/4"	PFROPFEN MESSING BOUCHON	1	1
17	06260894	VENTILKIT VALVE KIT	VENTILKIT KIT POMPE A EAU CLAPET G-WER	1	1
18	06180753	AFSTANDSSTYKKE, Ø16X55 DISTANCE PIECE, Ø16X55	ZWISCHENSTUECK ENTRETOISE G 600	1	1
19	06180750	CYLINDERSTYKKE CYLINDER PIECE	ZYLINDERSTUECK CULASSE G 600	1	1
20	06261444	MANCHET KIT FOR KERAMIKSTEMPEL CUP KIT FOR CERAMIC PISTON	KIT F. MANSCHETTE G-660/5000 KIT POMPE A EAU COUPELLES000	1	1
21	06261005	KONTRAVENTILKIT, G-600 NON-RETURN VALVE KIT, G-600	RUECKSCHLAGVENTILKIT KIT VANNE ANTI RETOURG-60G-600	1	1
22	06280115	FJEDER, 2X23.75X40X4 SPRING, 2X23.75X40X4	FEDER RESSORT	1	1
23	06180998	RØRPROP, 1/8" PLUG FOR PIPE, 1/8"	ROHRPFROPFEN BOUCHON DE TUBENE EXTERIENE EXTERIEUR	1	1

Pumpe / Pump / Pumpe / Pompe

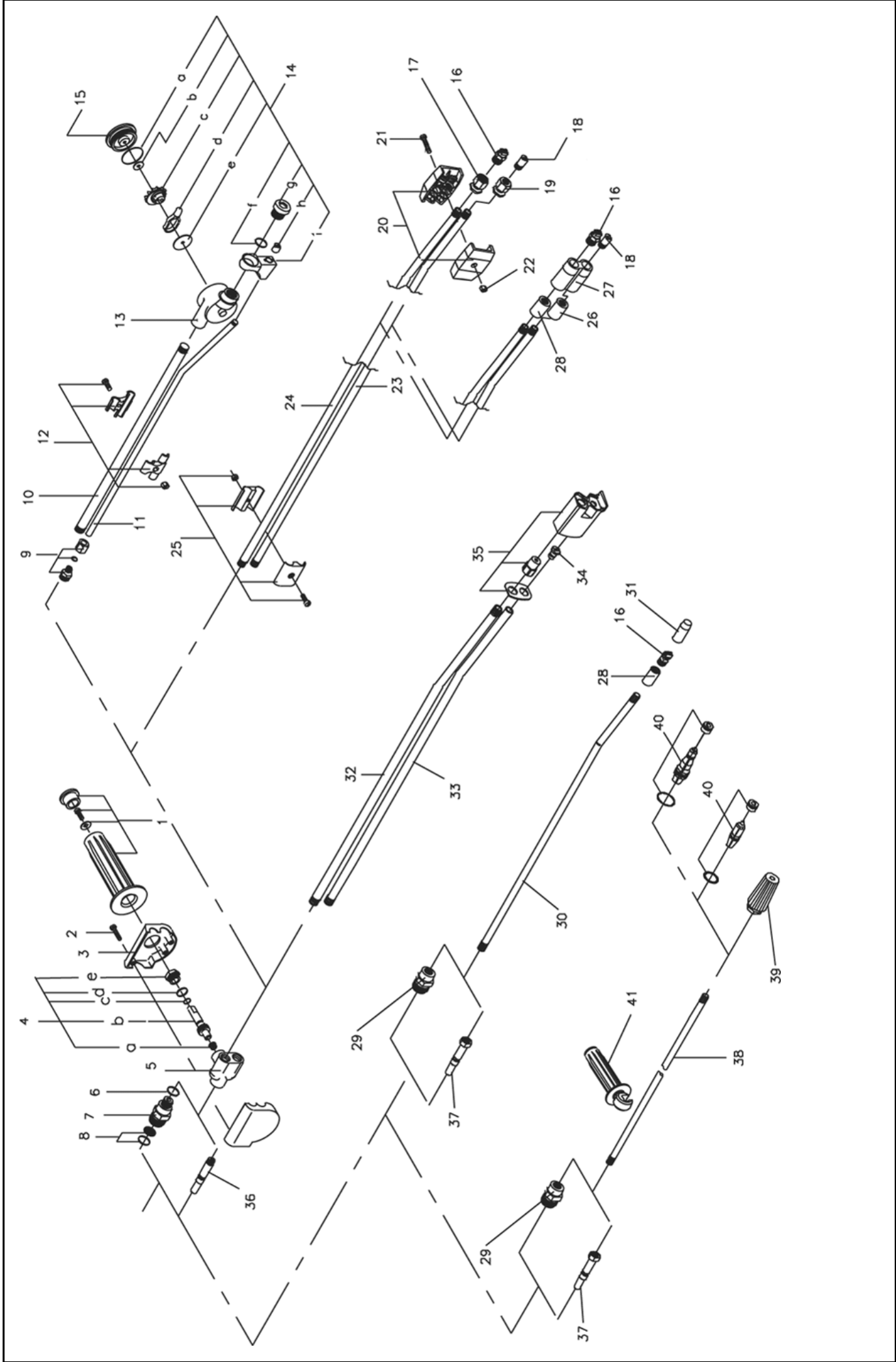
Pos.	Ref. no.	Bezeichnung Description	600 PX	600 P
24	06180943	SLANGENIPPEL, 22X35 HOSE NIPPLE, 22X35	1	1
26	06110462	TRYKLUFTSLANGE, 3/4"X150 PRESSURE AIR HOSE, 3/4"X150	1	1
27	06070456	UNBRACO PINOLSKRUE, M6X6 ALLEN POINTED SCREW, M6X6	1	1
28	06260724	PLASTKNAPKIT BUTTON KIT, PLASTIC	1	1
29	06261183	KEMIKIT, G600P DETERGENT KIT, G600P	1	1
29A	06070752	SELYSKÆRENDE SKRUE, 3.5X13 SELF-TAPPING SCREW, 3.5X13	2	2
29E	06120051	O-RING, 25.3X2,4 O-RING, 25.3X2,4	1	1
29F	06120023	O-RING, 5X1,5 O-RING, 5X1,5	1	1
29H	06110487	SPÆNDEBÅND, Ø12,0 - Ø14,0 RETAINING RING, Ø12,0 - Ø14,0	3	3
29I	06110449	KEMISLANGE, 1/4"X250 DETERGENT HOSE, 1/4"X250	1	1
29J	06110490	KEMISLANGE, 1/4"X2000 MM DETERGENT HOSE, 1/4"X2000 MM	1	1
29K	06100316	FILTER FOR KEMI DETERGENT FILTER	1	1
30	06211608	TOMGANGSREGULERING, 600P IDEL RUNNING REGULATION, 600P	1	
30A	06030767	REDUKTIONSNIPPEL, 1/4"-1/8" REDUCING NIPPLE, 1/4"-1/8"	1	
31	06181128	FORDELERKLODS, 32X52 DISTRIBUTOR BLOC, 32X52	1	1
32	06120442	O-RING, 25.0X3,0 O-RING, 25.0X3,0	1	1
33	06181129	MØTRIK, 36X8 NUT, 36X8	1	1



Pistol / Pistol / Pistole / Pistolet

Pos.	Ref. no.	Beegnelse Description	Bezeichnung Description	600 PX	600 P
0	06290080	PISTOL LANG M. QUICK PISTOL WITH QUICK COUPLING	PISTOLET 3/8 EME	1	1
01	06261543	SERVICEKIT F. PISTOL MTM SERVICE KIT FOR PISTOL , MTM	KIT F. PISTOLE MTM KIT DE SERVICE P.PISTOLET	1	1
02	06050981	TILGANGSRØR INLET PIPE	EINLASSROHR F. PISTOL TUBE D'ENTREE PISTOLET	1	1
03	06261950	DREJELED, KPL. SWIVEL, CPL.	DREHGELENK JOINT TOURNANT, CPL.	1	1
04	06200384	SIKKERHEDSPAL SAFETY LOCK	SPERRVORRICHTUNG ARRÊT DE SURETE MTM	1	1
05	06200420	PISTOLKROP PISTOL HOUSING	PISTOLKÖRPER RECHTS CORPS DE PISTOLET	1	1
06	06200421	PISTOLKROP PISTOL HOUSING	PISTOLKÖRPER LINKS CORPS DE PISTOLET	1	1
07	06051045	FORRØR FOR PISTOL FRONT PIPE FOR PISTOL	TUBE AVANT PISTOLET290080	1	1
08	06200525	KAPPE CAP	CACHE TUBE PISTOLET290080	1	1
09	06200524	KAPPE CAP	CACHE TUBE PISTOLET290080	1	1
10	06262246	KIT FOR LYNKOBLING KIT FOR QUICK COUPLING	KIT JOINTS RACCORD RAPIDE	1	1
11	06110200	HØJTRYKSSLANGE DN10X10M HIGH PRESSURE HOSE, 3/8"X3/8" NIPPLE, Ø10 MM 10 M	HOCHDRUCKSCHLAUCH FLEXIB.HP 10M-DIAMETRE 10	1	1
12	06260936	PAKNINGSKIT F. SKRUEKOB. GASKET KIT FOR SCREW COUPLING	DICHTUNGSKIT F. SCHRAUBENKUPPLUNG KIT JOINT RACCORD VIS VIS	1	1
13	06262287	MUFFE, 1/4"-1/4" SOCKET, 1/4"-1/4"	MANCHON P/PISTOLET 290080	1	1
14	06262286	KOBLING COUPLING	RACCORD VIS P/PISTOLET	1	1
15	06262284	OMLØBER COUPLING NUT	ECROU D/RACCORD P/PISTOLE	1	1
16	06262285	KOBLING COUPLING	RACCORD P/PISTOLET 290080	1	1

Spulerør / Lances / Lanzen / Lance



Spulerør / Lances / Lanzen / Lance

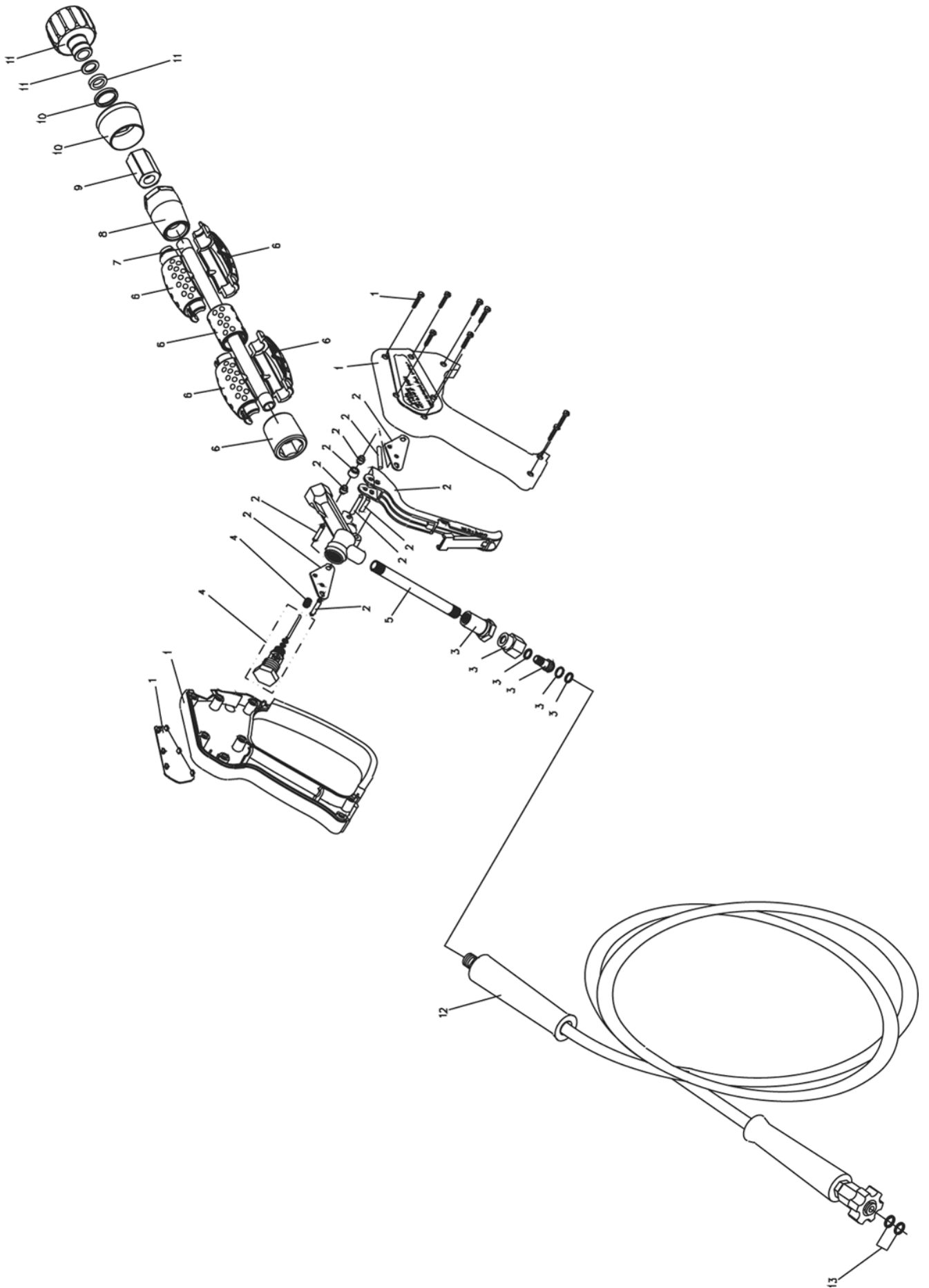
Pos.	Ref. no.	Betegnelse Description	Bezeichnung Description	600 PX	600 P
0-A	06261108	TURBO-LASER 600 MM TURBO LASER W. PRES. REG. - SCREW - 600 MM, 6.5	TURBO LASER TURBO-LASER 600MM 600S/21	1	
0-A	06262066	TURBO-LASER 600MM QUICK TURBO LASER W. PRES. REG. - QUICK - 600 MM, 6.5	TURBO-LASER 600MM RAPIDE	1	
0-A	06262305	TURBO LASER M/ TRYKREG. - LYN - 600 MM, 6.0 TURBO LASER W. PRES. REG. - QUICK - 600 MM, 6.0	TURBO LASER 600MM R.RAPID	1	
0-B	06260758	DOBBELT SPULERØR 600MM EXCL.TRYKYDYSE DOUBLE LANCE - PRES. REG.- SCREW -600 MM,	DOPPELLANZE DOUBLE LANCE 600MM	1	
0-B	06262063	DOBB.SPULERØR 600MM QUICK DOUBLE LANCE - PRES. REG.- QUICK -600 MM,	LANCE DOUBLE RAPIDE, 600M	1	
0-C	06260382	ENKELT SPULERØR 600 MM SINGLE LANCE - SCREW - 600 MM, EXCL.NOZ	EINZELLANZE LANCE SIMPLE 600 MM	1	
0-C	06262059	ENK.SPULERØR 600MM QUICK SINGLE LANCE - QUICK - 600 MM, EXCL.NOZ	LANCE SIMPLE RAPIDE, 600M	1	
0-D	06261957	SPECTRUM 600MM U/TRYKYDYSE SPECTRUM W. PRES. REG. - SCREW - 600 MM,	SPECTRUM OHNE DÜSE - 600 MM SPECTRUM SANS GICLÉUR - 600 MM	1	
0-D	06261991	SPECTRUM M/ TRYKREG. - SKRUE - 600 MM, 165 SPECTRUM W. PRES. REG. - SCREW - 660 MM, 165	SPECTRUM DÜSE LANCE SPECTRUM 660-600P	1	
0-D	06262094	SPECTRUM M/ TRYKREG. - LYN - 600 MM, 165 SPECTRUM W. PRES. REG. - QUICK - 600 MM, 165	LANCE SPECTRUM 600/46.5 R	1	
0-D	06262253	SPECTRUM 600 U.DYSE QUICK SPECTRUM W. PRES. REG. - QUICK - 600 MM,	LANCE SPECTRUM R. R-S/GICL	1	
0-E	06262117	ROTO JET LANSE 070 ROTO JET - SCREW - 600 MM, 7.0	LANCE ROTO JET 070	1	
0-E	06262128	ROTO JET M/ LYN - 600 MM, 7.0 ROTO JET - QUICK - 600 MM, 7.0	LANCE ROTO JET RAPIDE 070	1	
01	06260232	HANDTAGSKIT F.SPULERØR HANDLE KIT	HANDGRIFKIT F. DOPPELLANZE KIT SERVICE AVEC POIGNEENNE DOUBLE	1	
02	06070479	SKRUE, 4X20 SCREW, 4X20	SCHNEIDSCHRAUBE, SCHWARZZINK VIS	3	
03	06200097	PYNTEDÆKSEL F.VENTILHUS COVER F. VALVE HOUSING	STAUBKAPPE F. VENTILGEHAE COUVERCLEOR. D. VAN OR. D. VAN	1	
04	06260660	VENTILSPINDEL KIT VALVE SPINDLE KIT	VENTILSPINDELKIT F. DRUCKREGELUNG KIT REGLAGE PRESSION DOUBLEGL. PRES.	1	
04C	06120006	O-RING, 6.75X1,78 O-RING, 6.75X1,78	O-RING JOINT TORIQUE MAT 4470	1	
04D	06120010	O-RING, 13.1X1,6 O-RING, 13.1X1,6	O-RING JOINT TORIQUE MAT 4470	1	
04E	06190245	MØTRIK NUT	MUTTER F. VENTIL ECROU POUR VANNE DOUB.LAN	1	
05	06211078	VENTILHUS VALVE HOUSING	VENTILGEHAEUSE, KPL. CULASSE LANCE DOUBLE ET	1	
06	06120188	O-RING, 10X2 O-RING, 10X2	O-RING JOINT TORIQUE	1	

Spulerør / Lances / Lanzen / Lance

Pos.	Ref. no.	Betegnelse Description	Bezeichnung Description	600 PX	600 P
07	06030484	SKRUEKOBLING 1/4 UDV. SCREW COUPLING ROTATABLE, 1/4"	SCHR.KUPPLUNG DREHBAR F.DOPPELLANZE ACCOUPL. VIS TOURNANT DBL LANCE DOUBLE	1	
08	06100332	FILTER FOR TURBO LASER FILTER FOR TURBO LASER	FILTER F. TURBO LASER M. O-RING FILTRE TURBO LASER	1	
08A	06120139	O-RING, 10X1 O-RING, 10X1	O-RING JOINT SPY JET	1	
09	06030527	BRYSTNIPPEL, 8X1/4" BREAST NIPPLE, 8X1/4"	GEWINDESTUECK RACCORD	1	
10	06050841	SPULERØR LIGE, Ø13X1,5X586 LANCE STRAIGHT, Ø13X1,5X586	LANZE GERADE TURBO LASER LANCE DROITE TURBO LASER	1	
11	06050842	KEMIRØR 15 GR. BUK, Ø8X1X622 DETERGENT PIPE 15 DEG., Ø8X1X622	REI.MITTLEROHR 15 GR. VERB. F. T. L. TUYAU POUR LANCESER, 15 DSER, 15 DEGRES	1	
12	06261130	BESLAG FOR TURBO LASER FITTINGS FOR TURBO LASER	BESCHLAG F. TURBO LASER ROHR ARMATURE POUR TURBO LASER TUYAU	1	
13	06261288	TURBO LASER HUS, Ø3,6 MIN 720 L TURBO LASER HOUSING, Ø3.6 MIN 720 L	GEHAEUSE F. TURBO LASER CORPS P.TURBO LASER 3E GE COMPLET	1	
14	06261151	TURBO LASER KIT, 6.5 TURBO LASER KIT, 6.5	SERVICEKIT F. TURBO LASER KIT REPARATION TURBO LASEASER	1	
14A	06120544	O-RING, 36.0X1,78 O-RING, 36.0X1,78	JOINT TORIQUE	1	
14F	06120282	O-RING, 14X1,78 O-RING, 14X1,78	O-RING JOINT TORIQUE 14 X 1,78	1	
14H	06180533	DYSE, Ø10X12 NOZZLE, Ø10X12	DUESE GICLEUR DIA. 10X12	1	
15	06180936	LÅG FOR TURBO LASER COVER FOR TURBO LASER	DECKEL F. TURBO LASER, BEARBEITET COUVER.P.TURBO LASER FACOR, FACONNE	1	
16	06090211	DYSE HÆRDET 1/4-1506.5 FLAT JET NOZZLE 15°, 6.5	FLACHSTRAHLDUJSE 15° GICLEUR DURCI 1/4MEG15065	1	
17	06180780	DYSEHOLDER, 17X20 NOZZLE HOLDER, 17X20	DUESENHALTER F/HOCHDRUCKDUJSE SUPPORT DE GICLEUR H.P.EUEUR H.P.	1	
18	06180779	KEMIDYSE, Ø10X22 DETERGENT NOZZLE, Ø10X22	REINIGUNGSMITTELDUESE GICLEUR DETERGENT	1	
19	06180781	DYSEHOLDER FOR KEMI, 17X20 NOZZLE HOLDER FOR DETERGENTS, 17X20	DUESENHALTER F/REINIGUNGSMITTEL SUPPORT DE GICLEUR DETERGENT	1	
20	06200226	DYSEBESKYTTER NOZZLE PROTECTION, PLASTIC	DUESENSCHUTZ KUNSTSTOFF PROTECTION GICLEUR PLASTI PLASTIQUE	2	
21	06070497	SKRUE, 5X22 SCREW, 5X22	SCHRAUBE, ROSTFREI, Z/K VIS C/H INOX	1	
22	06080123	MØTRIK, M5 NUT, M5	MUTTER, ROSTFREI RONDELLE	1	
23	06050941	KEMI-RØR, RUSTFRI, Ø13X1,5X591 DETERGENT PIPE, STAINLESS, Ø13X1,5X591	DOPPELLANZE TUBE DE LANCE BP	1	
24	06050940	SPULERØR, RUSTFRI, Ø13X1,5X596 LANCE, STAINLESS, Ø13X1,5X596	DOPPELLANZE TUBE DE LANCE HP	1	

Spulerør / Lances / Lanzen / Lance

Pos.	Ref. no.	Betegnelse Description	Bezeichnung Description	600 PX	600 P
25	06260537	BESLAG F. DOBB. SPULERØR FITTINGS FOR DOUBLE LANCE	BESCHLAG F/DOPPELLANZE TURBO ENTRETOISE LANCE TURBO TE TURBO	1	1
26	06181232	DYSEHOLDER FOR KEMI, Ø18X26 NOZZLE HOLDER FOR DETERGENTS, Ø18X26	DUESEHALTER F. REINIGUNGSMITTELDUESE SUPPORT GICLEUR POUR DETER DE DETERGENT	1	1
27	06200374	DYSEBESKYTTER DOBBELT NOZZLE PROTECTION, PLASTIC, DOBBLE	DUESCHUTZ - DOBBELT PROTECT.PLAST.GICLEUR LAN	1	1
28	06030643	MUFFE FOR SPULERØR, Ø10 SOCKET FOR LANCE, Ø10	MUFFE F. LANZE MANCHON POUR LANCE INOX	1	1
28	06181233	DYSEHOLDER , Ø18X26 NOZZLE HOLDER , Ø18X26	DUESEHALTER F. HOCHDRUCKDUESE SUPPORT GICLEUR HAUTE PRR HAUTE PRESSION	1	1
29	06030485	SKRUEKOBLING, 1/4" INDV. SCREW COUPLING, 1/4"	SCHRAUBENKUPPLUNG, NICHT DREHBAR ACCOUPL. VIS 1/4 INT.NT. NT	1	1
30	06050116	SPULERØR, RUSTFRI, Ø13X586 LANCE, STAINLESS, Ø13X586	LANZE, ROSTFREI LANCE INOX DIAM. 13X586	1	1
31	06200375	DYSEBESKYTTER ENKELT NOZZLE PROTECTION, PLASTIC, SINGLE	DUESCHUTZ PROTECT.PLAST.GICLEUR LAN	1	1
35	06261968	SPECTRUM KIT, 150 SPECTRUM KIT, 150	SPECTRUM KIT KIT SPECTRUM 690/6900	1	1
36	06030649	LYNKOBLING 1/4 UDV. QUICK COUPLING, 1/4"	SCHNELLKUPPLUNG RACCORD RAPIDE	1	1
37	06030827	NIPPEL QUICK-1/4" INDV. NIPPLE, 1/4"	RACCORD RAPIDE 1/4" INTER	1	1
38	06050841	SPULERØR LIGE, Ø13X1,5X586 LANCE STRAIGHT, Ø13X1,5X586	LANZE GERADE TURBO LASER LANCE DROITE TURBO LASER	1	1
39	06262139	ROTO JET DYSE KPL., 7.0 ROTO JET NOZZLE CPL., 7.0	GICLEUR ROTO CPL. 7.0	1	1
40	06262226	ROTO DYSE KIT 070 ROTO JET NOZZLE KIT, 7.0	KIT POUR GICLEUR ROTO 070	1	1
41	06260365	HANDGREB TIL ROT. BØRSTER OG ENKELT LANSEØR, HANDLE FOR ROTATING BRUSHES AND SINGLE	HANDGRIFF POIGNEE DE MAINTIEN LANCE	1	1



Pistol / Pistole / Pistole / Pistolet

Pos.	Ref. no.	Betegnelse Description	Bezeichnung Description	600 PX	600 P
0	06290111	PISTOL - EGT 2600 - LANG MED SWIVEL, LYNKOBLING PISTOL - EGT 2600 - LONG W. SWIVEL, QUICK COUP.	PISTOLET EGT2600 RAC.RAPI	1	1
0	06290121	O-RINGSKIT FOR PISTOL O-RING KIT FOR PISTOL	JOINT A LEVRE .P/290111	1	1
01	06290119	PISTOLKROP KPL. PISTOL HOUSING CPL.	CORPS PISTOLET 290111	1	1
02	06290120	AFTRÆKKER KIT PULLER KIT	KIT DETENTE P/PIST.290111	1	1
03	06290122	DREJELED, KPL. SWIVEL, CPL.	JOINT TOURN.P/PIST.290111	1	1
04	06290123	VENTIL KPL. VALVE CPL.	VANNE P/PISTOLET 290111	1	1
05	06290124	TILGANGSRØR INLET PIPE	TUYAU D'ENTREE P/290111	1	1
06	06290125	KAPPEKIT CAP KIT	PROTECTION P/290111	1	1
07	06290126	FORRØR FOR PISTOL FRONT PIPE FOR PISTOL	TUBE AVANT P/PISTOL.290111	1	1
08	06290127	AFSTANDSSTYKKE DISTANCE PIECE	ENTRETOISE P/PISTOL290111	1	1
09	06290128	MUFFE SOCKET	MANCHON P/PISTOL 290111	1	1
10	06290129	AFSTANDSSTYKKE DISTANCE PIECE	ENTRETOISE P/PISTOL290111	1	1
11	06290130	LYNKOBLING KPL. QUICK COUPLING CPL.	RACCORD RAPID.PIST.290111	1	1
12	06110200	HØJTRYKSSLANG DN10X10M HIGH PRESSURE HOSE, 3/8"X3/8" NIPPLE, Ø10 MM 10 M	HOCHDRUCKSCHLAUCH FLEXIB.HP 10M-DIAMETRE 10	1	1
12	06110475	HØJTRYKSSLANG DN8X10M HIGH PRESSURE HOSE, 3/8"X3/8" NIPPLE, Ø8 MM 10 M	HOCHDRUCKSCHLAUCH M. SCHRAUBENKUPPLUNGEN TUYAU H.P.SCHIF.AV.RAC.AEER A/RAC. A VIS	1	1
13	06260936	PAKINGSKIT F. SKRUEKOB. GASKET KIT FOR SCREW COUPLING	DICHTUNGSKIT F. SCHRAUBENKUPPLUNG KIT JOINT RACCORD VIS VIS	1	1