

---

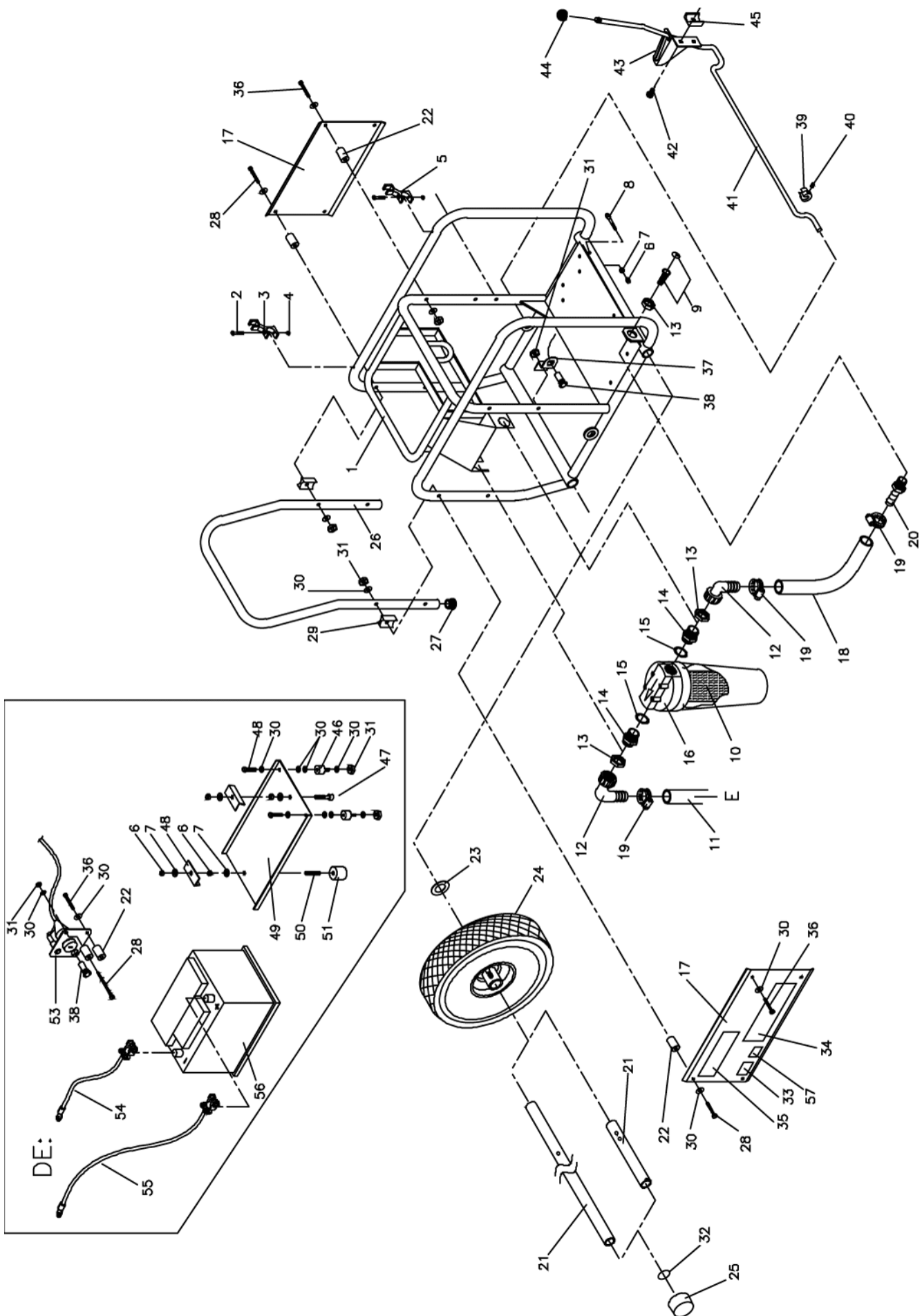
# 600DM/DE

---

**Reservedelsliste**  
**Spare parts list**  
**Ersatzteilliste**  
**Liste de pièces détachées**

Ramme / Frame / Rahmen / Cadre . . . . .	2
Motor / Motor / Motor / Moteur . . . . .	6
Pumpe / Pump / Pumpe / Pomp . . . . .	9
Pistol / Pistol / Pistole / Pistolet . . . . .	12
Pistol / Pistol / Pistole / Pistolet . . . . .	14
Spulerør / Lances / Lanzen / Lance . . . . .	16

Ramme / Frame / Rahmen / Cadre



## Ramme / Frame / Rahmen / Cadre

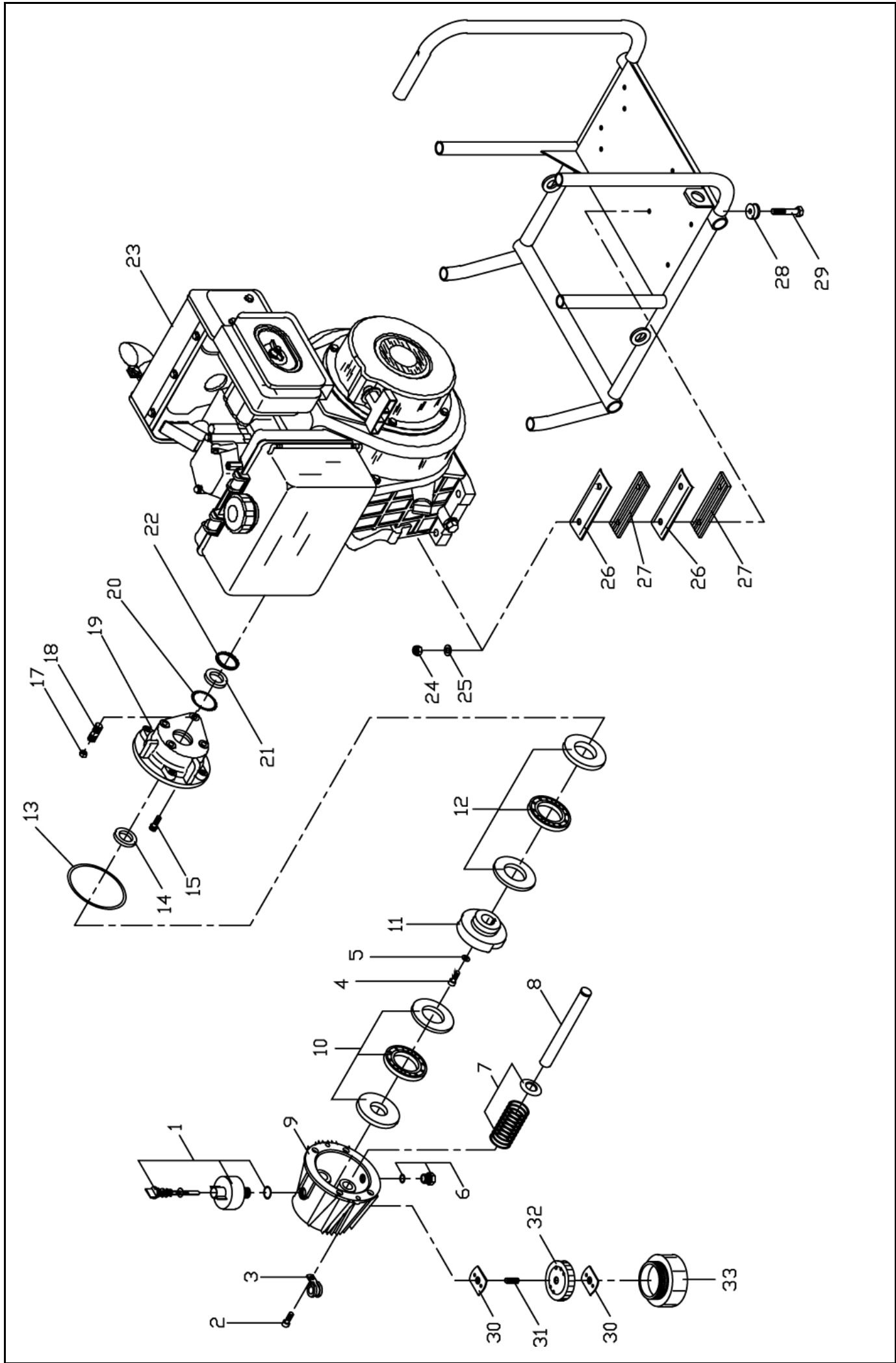
Pos.	Ref. no.	Betegnelse Description	Bezeichnung Description	600 DE	600 D
01	06282363	STEL N/G600P/PXDM/DE600P FRAME FOR HONDA CPL., 600P	RAHME N/G600P/PXDM/DE CHASSIS N/G600P/PXDM/DEG	1	1
02	06070345	SKRUE, 5X35 SCREW, 5X35	SCHRAUBE, P/K, GALV. VIS T/L GALV.	2	2
03	06200442	HOLDER FOR PISTOL, R.D.:150598 HOLDER FOR PISTOL, R.D.:150598	SUPPORT POUR PISTOLET	1	1
04	06080084	MØTRIK, M5 NUT, M5	MUTTER, GALV. ECROU GALVANISE	2	2
05	06200052	SPULERØRSHOLDER LANCE HOLDER	LANZENHALTER PLASTIK SUPPORT LANCE 600P	1	1
06	06080038	MØTRIK, M8 NUT, M8	SELBSTSCHLIESSENDE MUTTER, GALV. ECROU	6	6
07	06080004	SPÆNDESKIVE, 8,4X17X1,6 TENSION DISC, 8,4X17X1,6	FEDERSCHEIBE, GALV. RONDELLE	2	2
08	06070401	UNBRACO SKRUE, M8X40 ALLEN SCREW, M8X40	IMBUSSBOLZEN, GALV. BOULON A TETE CYLINDRIQUE GALV.	4	4
09	06260825	VANDFILTERKIT, G-100 WATER FILTER KIT, G-100	WASSERFILTERKIT FILTRE EAU G 100	1	1
10	06100406	FILTERINDSATS 100 MICRON N/A	PATRON DE FILTRE 100 MICR	1	1
11	06110463	SLANGE, 3/4" X 275 HOSE, 3/4" X 275	DRUCKLUFTSCHLAUCH TUYAU D'ENTREE D'EAU G-66	1	1
12	06030681	VINKELSTUDS, 3/4" ANGLE SOCKET, 3/4"	WINKELSTUTZEN PLASTIK RACCORD EQUERRE PLASTIQUE	2	2
13	06180384	KONTRAMØTRIK, 3/4" COUNTER NUT, 3/4"	GEGENMUTTER CONTRE ECROU NV 32 X 8	1	1
14	06181517	NIPPEL, 3/4"-3/4" NIPPLE, 3/4"-3/4"	RACCORD, 3/4"-3/4"	1	1
15	06120442	O-RING, 25.0X3,0 O-RING, 25.0X3,0	O-RING JOINT TORIQUE	2	2
16	06100405	VANDFILTER KPL., 3/4" WATER FILTER CPL., 3/4"	BOCAL FILTRE D'EAU	1	1
17	06061473	SIDEPLADE GRØN, G600D/P SIDE PALTE GREEN, G600D/P	PLAQUE DE COTE VERT, G600D/P	2	2
17	06061474	SIDEPLADE GRÅ, N600D/PX SIDE PALTE GREY, N600D/PX	PLAQUE DE COTE GRIS, N600D/PX	2	2
18	06110666	TILGANGSSLANGE, 550 MM INLET HOSE, 550 MM	TUYAU D'ENTREE, 550 MM	1	1
19	06110471	SPÆNDEBAND, 14-32 RETAINING RING, 14-32	SCHLAUCHSCHELLE HS12 FRETTE	4	4
20	06180835	TILGANGSNIPPEL, 29X58 INLET NIPPLE, 29X58	EINLASSNIPPEL G500/600 RACCORD D'ENTREE D'EAU G5 G500/G600	1	1
21	06051037	HJULAKSEL, Ø25X2197 WHEEL AXLE, Ø25X2197	ARBRE DE ROUE	4	4

## Ramme / Frame / Rahmen / Cadre

Pos.	Ref. no.	Betegnelse Description	Bezeichnung Description	600 DE	600 D
21	06051051	HJULAKSEL, Ø25X2686 600P/PX/D WHEEL AXLE, Ø25X2686 600P/PX/D	ARBRE DE ROUE, □25X2686 600P/PX/D	4	4
22	06200430	AFSTANDSSTYKKE DISTANCE PIECE	ENTRETOISE	8	8
23	06080075	SPÆNDESKIVE, 45X25.5X1.5 TENSION DISC, 45X25.5X1.5	FEDERSKIBE F. RAD, GALV. RONDELLE DE SERRAGE POUR UUE	4	4
24	06130094	LUFTGUMMIHJUL, 12"X4" AIR RUBBER WHEEL, 12"X4"	LUFTGUMMIRAD ROUE CAOUTC.AIR 600P-PX	4	4
25	06280200	LÅSESKIVE, Ø25 LOCK WASHER, Ø25	ENJOLIVEUR ROUE	4	4
26	06050971	KØREHANDTAG, Ø25X21290 OPERATION HANDLE, Ø25X21290	FAHRHANDGRIFF POIGNEE G600P	1	1
27	06200064	DUPSKO, 25 CAP, 25	KAPPE BOUT	2	2
28	06070891	SÆTSKRUE, M6X90 SET SCREW, M6X90	VIS D'ARRET, M6X90	4	4
29	06200142	AFSTANDSSTYKKE, Ø25 DISTANCE PIECE, Ø25	DISTANZSCHEIBE ENTRETOISE TYPE D TYPE D	4	4
30	06080016	SPÆNDESKIVE, 6 MM TENSION DISC, 6 MM	FEDERSKIBE, GALV. RONDELLE DE SERRAGE	16	16
31	06080062	MØTRIK, M6 NUT, M6	SELBSTSCHLIESSENDE MUTTER, GALV. ECROU INDESERRABLE LAITON	8	8
32	06120572	O-RING, 23.4X3.5 O-RING, 23.4X3.5	JOINT 23.4 X 3.5	2	2
33	06301619	TRANSFER "ADVARSEL" TRANSFERS "WARNING"	TRANSFERS WAHRNUNG G-880 AUTOCOL."AVERTISSEMENT"	2	2
34	06301965	TRANSFERS, G600 DM TRANSFERS, G600 DM	AUTOCOLLANT, G600 DM	2	2
34	06301966	TRANSFERS, G600 DE TRANSFERS, G600 DE	AUTOCOLLANT, G600 DE	2	2
35	06301902	TRANSFER GERNI 2 TRANSFER GERNI 2	AUTOCOLLANT GERNI	2	2
35	06301967	TRANSFERS, N/600 DM TRANSFERS, N/600 DM	AUTOCOLLANT, N/600 DM	2	2
35	06301968	TRANSFERS, N/600 DE TRANSFERS, N/600 DE	AUTOCOLLANT, N/600 DE	2	2
36	06070503	SÆTSKRUE, M6X60 SET SCREW, M6X60	VIS 6X35 HFC	1	1
37	06061483	BESLAG FITTINGS	ARMATURE	2	2
38	06351026	KONTROLLAMPE, YANMAR CONTROL LAMP, YANMAR	LAMPE DE CONTROLE, YANMAR	1	1
39	06181005	BØSNING, Ø25X22 SLEEVE, Ø25X22	BUCHSE F. BREMSE G-6000 MANCHON POUR FREINS G-6000	1	1

## Ramme / Frame / Rahmen / Cadre

Pos.	Ref. no.	Betegnelse Description	Bezeichnung Description	600 DE	600 D
40	06070478	PINOLSKRUE, M6X8 POINTED SCREW, M6X8	REITSTOCKSCHRAUBE, ROSTFREI VIS	1	1
41	06040201	BREMSESTANG, Ø10X1000 G830 BRAKE LEVER, Ø10X1000 G830	LEVIER DE FREIN, □10X1000 G830	1	1
42	06070435	SKRUE, M6X16 SCREW, M6X16	TAP TITE P/K, GALV. VIS M6X16 2300/2500/2700	1	1
43	06061447	LÅSEBESLAG FOR BREMSER LOCK FITTINGS FOR BRAKE	GARNITURE DE SERRURE P. FREINS	1	1
44	06200288	KUGLE, M10 Ø32 BALL, M10 Ø32	KUGEL, SCHWARZ BOULETTE(N) NTE)	1	1
45	06200103	AFSTANDSSTYKKE DISTANCE PIECE	ZWISCHENSTUECK ENTRETOISE	2	2
46	06080235	SVINGNINGSDÆMPER, Ø20X15/M6X18/M6 VIBRATION DAMPER, Ø20X15/M6X18/M6	AMORTISSEUR DE VIBRATION, □20X15/M6X18/M6	2	
47	06070746	UNBRACO SKRUE, M8X35 ALLEN SCREW, M8X35	IMBUSSBOLZEN, GALV. BOULON A TETE CYLINDRIQUE	1	
48	06061489	BESLAG FITTINGS	ARMATURE	2	
49	06061488	BATTERIKONSOL BATTERY BRACKET	CONSOLE SOUFFLANTE P. BATTERIE	1	
50	06070748	UNBRACO PINOLSKRUE, M 8X40 ALLEN POINTED SCREW, M 8X40	IMBUSSREITSTOCKSCHRAUBE VIS PIVOT A TETE CYLINDRIQUE	1	
51	06080268	SVINGNINGSDÆMPER, Ø30X20 M8 VIBRATION DAMPER, Ø30X20 M8	AMORTISSEUR DE VIBRATION, □30X20 M8	1	
53	06351025	START/STOP KONTAKT, YANMAR START/STOP SWITCH, YANMAR	CONTACTEUR MISE EN MARCHÉ, YANMAR	1	
54	06161075	KABEL /-, 180 MM CABLE /-, 180 MM	CABLE /-, 180 MM	1	
55	06161076	KABEL +/, 480 MM CABLE +/, 480 MM	CABLE +/, 480 MM	1	
56	06161074	BATTERI, 12V 55AH BATTERY, 12V 55AH	BATTERIE, 12V 55AH	1	
57	06300710	TRANSFER "OMLØB" TRANSFER "BY PASS"	KLEBSTREIFEN AUTOCOLLANT, BY-PASS 15 MIN. AU MAXIMUM	1	1



## Motor / Motor / Motor / Moteur

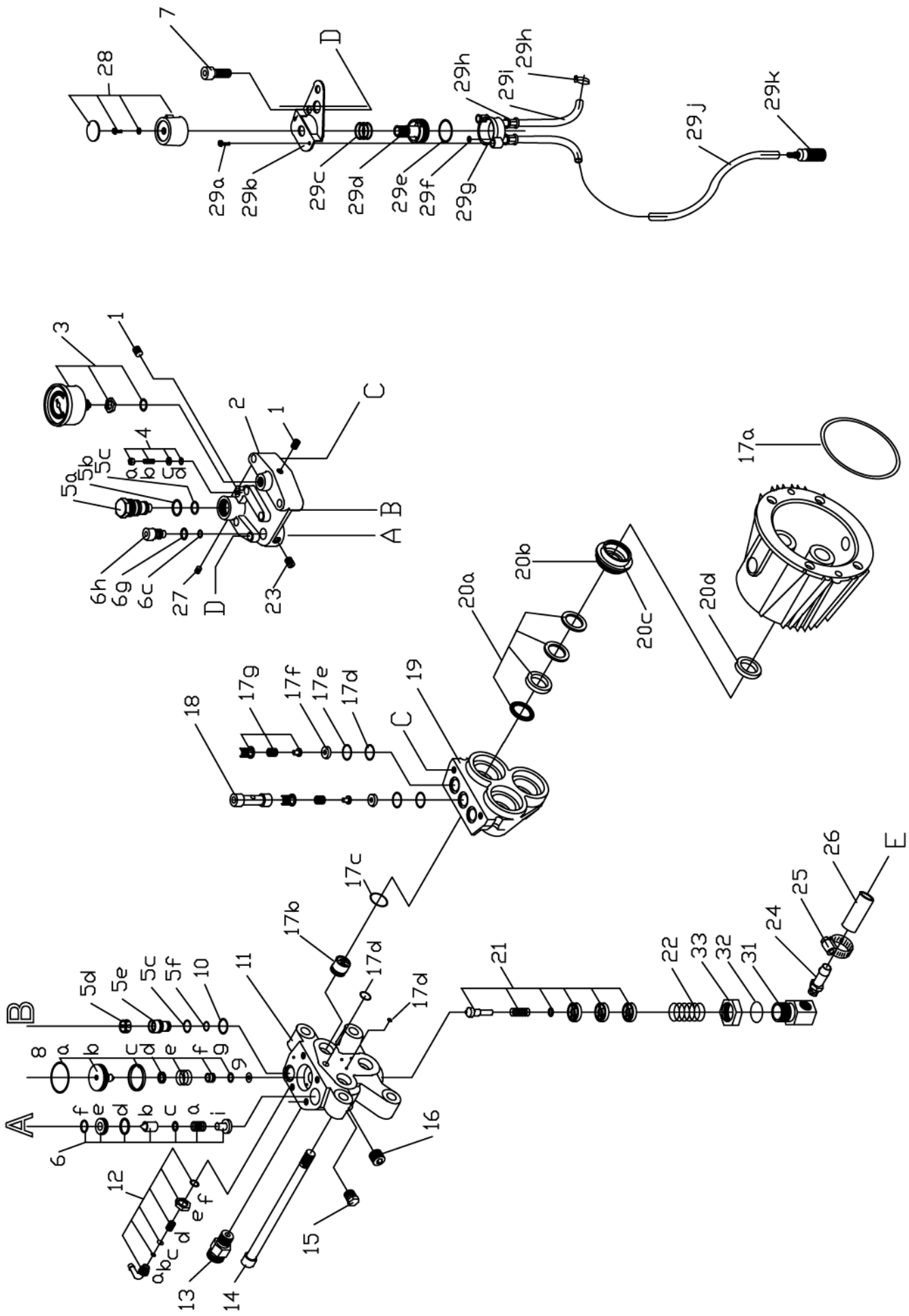
Pos.	Ref. no.	Betegnelse Description	Bezeichnung Description	600 DE	600 D
01	06261132	OLIEGLASKIT, JET/G135/G600 OIL GLASS KIT, JET/G135/G600	OELGLASKIT JET/G-135/G-600 VERRE D'HUILE JET/135/600-600	1	1
02	06070455	UNBRACO SKRUE, M8X25 ALLEN SCREW, M8X25	IMBUSSBOLZEN, GALV. BOULON GALV.	1	1
03	06080200	KABELHOLDER, 1/4" CABLE HOLDER, 1/4"	KABELHALTER - SIEHE 080182 SUPPORT DE CABLE - VOIR 080182	1	1
04	06070836	UNBRACO SKRUE, M8X20 ALLEN SCREW, M8X20	IMBUSS VIS A TETE CYLINDRIQUE	1	1
05	06080008	SPÆNDESKIVE, 10X19X1,5 TENSION DISC, 10X19X1,5	FEDERSCHEIBE, GALV. RONDELLE DE SERRAGE GALVA	1	1
06	06260959	OLIEFTAPNINGSPROP KPL., G100/G2000 DRAIN PLUG CPL., G100/G2000	OELABZAPF-STOPFEN, KPL. BOUCHON	1	1
07	06261037	FJEDERKIT SPRING KIT	FEDERKIT KIT RESSORT G600(3 PIECES)	1	1
08	06261430	STEMPELKIT, KERAMIK 1 STK. PISTON KIT, CERAMIC 1 PCS.	KIT F. KOLBEN KPL. G-660/5000 KIT PISTONS (NOUVEAU) G-60/5000	1	1
09	06180757	STEMPELSTYR, 600 PISTON GUIDE, 600	KOLBENFUHRUNG GUIDE PISTON G 600	1	1
10	06260897	TRYKLEJEKIT PRESSURE BEARING KIT, G600	DRUCKLAGERKIT KIT ROULEMENT G 600-600/A-600/AL-POWER	1	1
11	06181518	SKRASKIVE, 7,11 CAM DISC, 7,11	DISQUE INCLINE , 7,11	1	1
12	06260898	SKRÅKIVELEJEKIT CAM DISC BEARING KIT	BOGENSCHEIBELAGERKIT KIT ROULEMENT DISQUE G 60C. G600/ALPOWER	1	1
13	06120310	O-RING, 117X3 O-RING, 117X3	O-RING JOINT TORIQUE G 600	1	1
14	06120376	SIMMERRING SEALING RING	OELDICHUNGSRING ANNEAU SIMMER	1	1
14 -	06261593	MOTORFLANGE, KPL. MOTOR FLANGE, CPL.	KIT F. MOTORFLANSCH BRIDE DE MOTEUR COMPLET60600P	1	1
15	06070452	UNBRACO SKRUE, M8X20 ALLEN SCREW, M8X20	IMBUSSBOLZEN, GALV. INTRAVIS 8X20 GALV.	2	2
17	06080199	FLANGEMØTRIK, M8 FLANGED NUT, M8	FLANSCHENMUTTER, HONDA ECROU A BRIDE	2	2
18	06070748	UNBRACO PINOLSKRUE, M 8X40 ALLEN POINTED SCREW, M 8X40	IMBUSSREITSTOCKSCHRAUBE VIS PIVOT A TETE CYLINDRIQUE	2	2
19	06181502	MOTORFLANGE MOTOR FLANGE	BRIDE DE MOTEUR	1	1
20	06120570	O-RING, Ø53.64X2.62 O-RING, Ø53.64X2.62	JOINT TORIQUE, □53.64X2.62	1	1
21	06181519	AFSTANDSRING, Ø40X16,1 DISTANCE RING, Ø40X16,1	BAGUE D'ECARTEMENT, □40X16,1	1	1
22	06120569	O-RING, Ø28,17X3,5 O-RING, Ø28,17X3,5	JOINT TORIQUE, □28,17X3,5	1	1

**Motor / Motor / Motor / Moteur**

Pos.	Ref. no.	Betegnelse Description	Bezeichnung Description	600 DE	600 D
23	06351021	DIESEL MOTOR M, YANMAR DIESEL ENGINE M, YANMAR	MOTEUR DIESEL M, YANMAR	1	1
24	06080043	MØTRIK, M 10 NUT, M 10	SELBSTSCHLIESSENDE MUTTER, GALV. ECROU INDESSERRABLE	4	4
25	06080008	SPÆNDESKIVE, 10X19X1,5 TENSION DISC, 10X19X1,5	FEDERSCHEIBE, GALV. RONDELLE DE SERRAGE GALVA	4	4
26	06061463	MOTORBESLAG, 2X50X150 MOTOR FITTINGS, 2X50X150	ARMATURE DE MOTEUR , 2X50X150	4	4
28	06080117	SVINGNINGSDÆMPER, 218P VIBRATION DAMPER, 218P	SCHWINGUNGSDÄMPFER, BEARBEITET AMORTISSEUR DE VIBRATION 08-0041	4	4
29	06070389	SÆTSKRUE, M10X60 SET SCREW, M10X60	SETZBOLZEN, GALV. BOULON D'ARRET GALV.	4	4
30	06060952	MONTAGE PLADE , 42X64X2 MOUNTING PLATE , 42X64X2	MONTAGEPLATTE F. SCHLAMMGLAS G200 SUPPORT FIXATION HUILE G6. D"HUILE	2	2
31	06180815	NIPPEL, Ø13X30 NIPPLE; Ø13X30	GEWINDENIPPEL G500/600 RACCORD DE FILET G500/G60 G500/G600	1	1
32	06150008	SKRUELAG FOR SLAMGLAS, 13X30 SCREW COVER, 13X30	SCHRAUBDECKEL F. SCHLAMMGLAS COUVERCLE A VISSER POUR VE DEJECT	1	1
33	06150112	SLAMGLAS OIL WASTE GLASS	SCHLAMMGLAS KLEINER TYP BOCAL DE RECUPERATION D"HELEVE	1	1



Pumpe / Pump / Pompe / Pomp

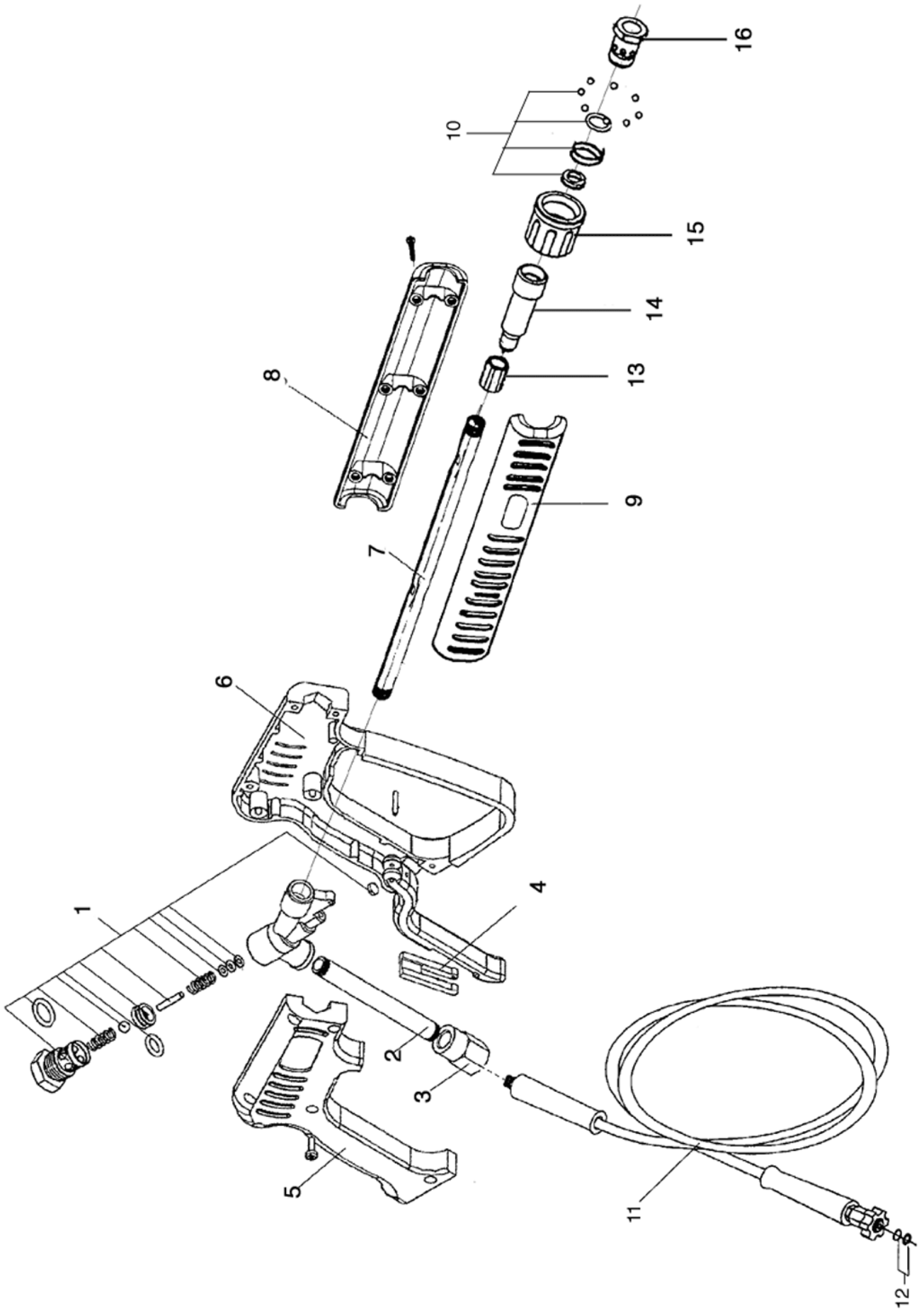


## Pumpe / Pump / Pumpe / Pomp

Pos.	Ref. no.	Betegnelse Description	Bezeichnung Description	600 DE	600 D
0	06261284	KIT FOR PUMPE, 617/6000 KIT FOR PUMP, 617/6000	KIT F. PUMPE G-617+P+ST/G-6000 KIT POMPE A EAU G600/6000T G-6000	1	1
0	06261445	O-RINGSKIT FOR PUMPE, 600/660/5/6000 O-RING KIT FOR PUMP, 600/660/5/6000	KIT O-RINGE F. PUMPE KIT JOINT TORIQUE P.POMPEPOMPE	1	1
0	06301199	TRANSFERS FOR KEMIVENTIL, G600P/660 TRANSFERS FOR DETERGENT VALVE, G600P/660	KLEBSTREIFEN F. REINIGUNGSMITTELVENTIL AUTOCOLLANT POUR VANNE DE DETERGENT	1	1
01	06030554	RØRPROP, 1/8" PLUG FOR PIPE, 1/8"	ROHRSTOPFEN RACCORD	2	2
02	06180755	TRYKMANIFOLD, 600 PRESSURE MANIFOLD, 600	DRUCKMANIFOLD COLLECTEUR PRESSION G 600	1	1
03	06220042	MANOMETER, 250 BAR PRESSURE GAUGE, 250/3600 BAR/PSI/ETP	TURBO MANOMETER MANOMETRE	1	1
04	06261131	JUSTERSKRUE ADJUSTING SCREW	JUSTIERSCHRAUBE F. MANOMETERDRUCK VIS REGLAGE PRESS.OUVERT.N D"OUVERTURE	1	1
05	06261154	SERVICEKIT INJECTORDYSE, G6000 SERVICE KIT INJECTOR NOZZLE, G6000	SERVICEKIT INJEKTORDYSE KIT INJECTEUR DETERGENT D D"INJECTEUR	1	1
06	06260899	SIKKERHEDSVENTILKIT SAFETY VALVE KIT, G 600	SICHERHEITSVENTILKIT KIT VANNE BY PASS G-600-6-600	1	1
07	06070510	UNBRACO SKRUE, M10X40 ALLEN SCREW, M10X40	IMBUSSBOLZEN, GALV. BOULON G 600	6	6
08	06260900	OMLØBSVENTILKIT BY-PASS VALVE KIT	UMLAUFVENTILKIT KIT VANNE BY-PASS G600	1	1
09	06080188	FORMINDSKERSKIVE, 12X5X0,5 REDUCER DISC, 12X5X0,5	REDUZIERSCHEIBE, ROSTFREI RONDELLE	1	1
11	06180749	PUMPEHOVED, G600 PUMP HEAD, G600	PUMPENKOPF CULASSE G 600	1	1
12	06260902	KUGLEKONTRAVENTILKIT NON-RETURN BALL VALVE KIT	KUGELRUECKSCHLAGVENTIL KIT VANNE ANTI-RETOUR G 6 BILLE	1	1
13	06180441	SKRUEKOBLING HAN, 22X35 SCREW COUPLING MALE, 22X35	SCHRAUBENKUPPLUNG MAENNLICH RACCORD SORTIE HP	1	1
14	06070492	UNBRACO SKRUE, M12X200 ALLEN SCREW, M12X200	IMBUSSBOLZEN BOULON 12X200 G 600	4	4
15	06030642	RØRPROP, 3/8" PLUG FOR PIPE, 3/8"	ROHRPFROPFEN BOUCHON DE TUBE	1	1
16	06030472	PROP MESSING, 1/4" BRASS PLUG, 1/4"	PFROPFEN MESSING BOUCHON	1	1
17	06260894	VENTILKIT VALVE KIT	VENTILKIT KIT POMPE A EAU CLAPET G-WER	1	1
18	06180753	AFSTANDSSTYKKE, Ø16X55 DISTANCE PIECE, Ø16X55	ZWISCHENSTUECK ENTRETOISE G 600	1	1
19	06180750	ZYLINDERSTYKKE CYLINDER PIECE	ZYLINDERSTUECK CULASSE G 600	1	1
20	06261444	MANCHET KIT FOR KERAMIKSTEMPEL CUP KIT FOR CERAMIC PISTON	KIT F. MANSCHETTE G-660/5000 KIT POMPE A EAU COUPELLES000	1	1

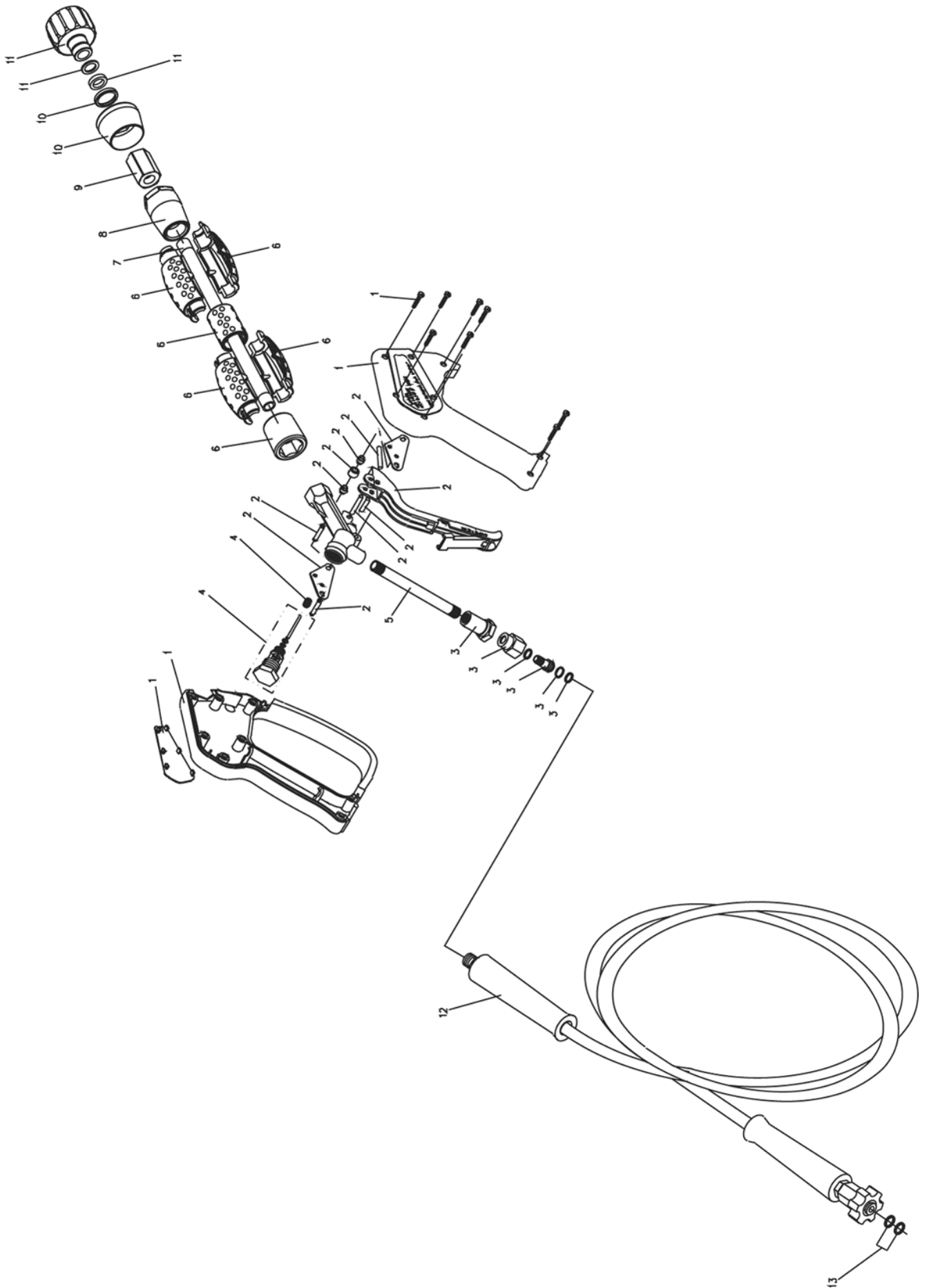
## Pumpe / Pump / Pumpe / Pompe

Pos.	Ref. no.	Betegnels Description	Bezeichnung Description	600 DE	600 D
21	06261005	KONTRAVENTILKIT, G-600 NON-RETURN VALVE KIT, G-600	RUECKSCHLAGVENTILKIT KIT VANNE ANTI RETOURG-60G-600	1	1
22	06280115	FJEDER, 2X23.75X40X4 SPRING, 2X23.75X40X4	FEDER RESSORT	1	1
23	06180998	RØRPROP, 1/8" PLUG FOR PIPE, 1/8"	ROHRPFROPFEN BOUCHON DE TUBENE EXTERIENE EXTERIEUR	1	1
24	06180943	SLANGENIPPEL, 22X35 HOSE NIPPLE, 22X35	SCHLAUCHNIPPEL RACCORD DE TUYAU	1	1
26	06110462	TRYKLUFTSLANGE, 3/4"X150 PRESSURE AIR HOSE, 3/4"X150	DRUCKLUFTSCHLAUCH TUYAU A AIR COMPRI ME	1	1
27	06070456	UNBRACO PINOLSKRUE, M6X6 ALLEN POINTED SCREW, M6X6	IMBUSS-REITSTOCKSCHRAUBE ROSTFREI VIS INOX INOX	1	1
28	06260724	PLASTKNAPKIT BUTTON KIT, PLASTIC	KNOPFKIT, PLASTIK KIT BOUCHON PLASTIC (R.06	1	1
29	06261183	KEMIKIT, G600P DETERGENT KIT, G600P	REINIGUNGSMITTELKIT KIT DETERGENT G-600P	1	1
29A	06070752	SELVSKÆRENDE SKRUE, 3.5X13 SELF-TAPPING SCREW, 3.5X13	SCHNEIDSCHRAUBE, SCHWARZZINK VIS DE COUPE	2	2
29E	06120051	O-RING, 25.3X2,4 O-RING, 25.3X2,4	O-RING JOINT TORIQUE	1	1
29F	06120023	O-RING, 5X1,5 O-RING, 5X1,5	O-RING JOINT TORIQ.MAT 4470 5X1,	1	1
29H	06110487	SPÆNDEBÅND, Ø12,0 - Ø14,0 RETAINING RING, Ø12,0 - Ø14,0	SCHLAUCHSCHELLE ANNEAU	3	3
29I	06110449	KEMISLANGE, 1/4"X250 DETERGENT HOSE, 1/4"X250	REINIGUNGSMITTELSCHLAUCH TUYAU DE DETERGENT	1	1
29J	06110490	KEMISLANGE, 1/4"X2000 MM DETERGENT HOSE, 1/4"X2000 MM	REINIGUNGSMITTELSCHLAUCH TUYAU DE DETERGENT	1	1
29K	06100316	FILTER FOR KEMI DETERGENT FILTER	REINIGUNGSMITTELFILTER ASPIRATION DETERGENT	1	1
31	06181128	FORDELERKLODS, 32X52 DISTRIBUTOR BLOC, 32X52	VERTEILERKLOTZ BLOC DE DISTRIBUTION	1	1
32	06120442	O-RING, 25.0X3,0 O-RING, 25.0X3,0	O-RING JOINT TORIQUE	1	1
33	06181129	MØTRIK, 36X8 NUT, 36X8	GEGENMUTTER ECROU G-3000	1	1



**Pistol / Pistol / Pistole / Pistolet**

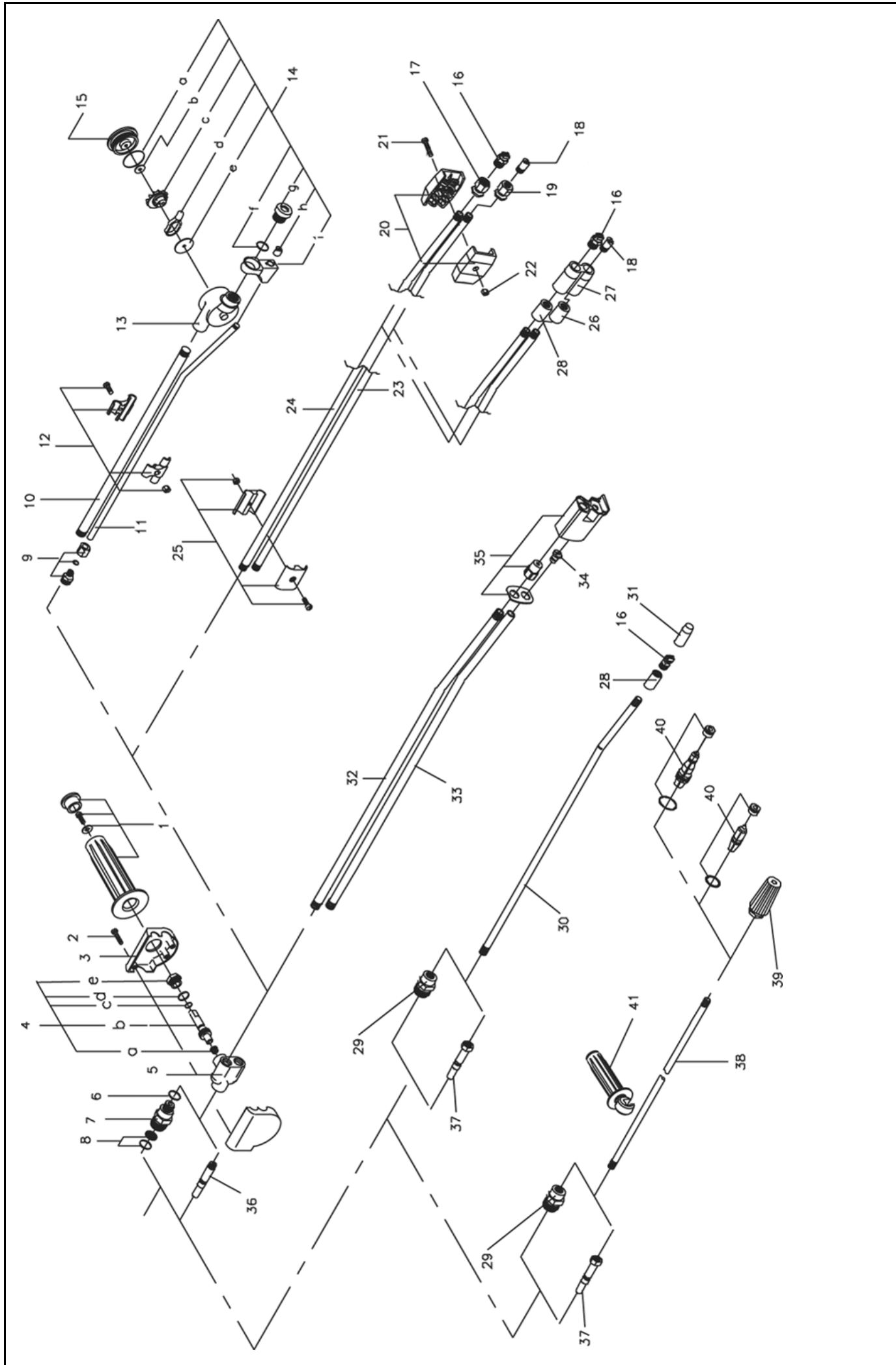
Pos.	Ref. no.	Bezeichnung Description	600 DE	600 D
0	06290080	PISTOL LANG M. QUICK PISTOL WITH QUICK COUPLING	1	1
01	06261543	SERVICEKIT F. PISTOL MTM SERVICE KIT FOR PISTOL , MTM	1	1
02	06050981	TILGANGSRØR INLET PIPE	1	1
03	06261950	DREJELED, KPL. SWIVEL, CPL.	1	1
04	06200384	SIKKERHEDSPAL SAFETY LOCK	1	1
05	06200420	PISTOLKROP PISTOL HOUSING	1	1
06	06200421	PISTOLKROP PISTOL HOUSING	1	1
07	06051045	FORRØR FOR PISTOL FRONT PIPE FOR PISTOL	1	1
08	06200525	KAPPE CAP	1	1
09	06200524	KAPPE CAP	1	1
10	06262246	KIT FOR LYNKOBLING KIT FOR QUICK COUPLING	1	1
11	06110200	HØJTRYKSSLANGE DN10X10M HIGH PRESSURE HOSE, 3/8"X3/8" NIPPLE, Ø10 MM 10 M	1	1
12	06260936	PAKNINGSKIT F. SKRUEKOB. GASKET KIT FOR SCREW COUPLING	1	1
13	06262287	MUFFE, 1/4"-1/4" SOCKET, 1/4"-1/4"	1	1
14	06262286	KOBLING COUPLING	1	1
15	06262284	OMLØBER COUPLING NUT	1	1
16	06262285	KOBLING COUPLING	1	1



## Pistol / Pistol / Pistole / Pistolet

Pos.	Ref. no.	Betegnelse Description	Bezeichnung Description	600 DE	600 D
0	06290111	PISTOL - EGT 2600 - LANG MED SWIVEL, LYNKOBLING PISTOL - EGT 2600 - LONG W. SWIVEL, QUICK COUP.	PISTOLET EGT2600 RAC.RAPI	1	1
0	06290121	O-RINGSKIT FOR PISTOL O-RING KIT FOR PISTOL	JOINT A LEVRE .P/290111	1	1
01	06290119	PISTOLKROP KPL. PISTOL HOUSING CPL.	CORPS PISTOLET 290111	1	1
02	06290120	AFTRÆKKER KIT PULLER KIT	KIT DETENTE P/PIST.290111	1	1
03	06290122	DREJELED, KPL. SWIVEL, CPL.	JOINT TOURN.P/PIST.290111	1	1
04	06290123	VENTIL KPL. VALVE CPL.	VANNE P/PISTOLET 290111	1	1
05	06290124	TILGANGSRØR INLET PIPE	TUYAU D'ENTREE P/290111	1	1
06	06290125	KAPPEKIT CAP KIT	PROTECTION P/290111	1	1
07	06290126	FORRØR FOR PISTOL FRONT PIPE FOR PISTOL	TUBE AVANT P/PISTOL.290111	1	1
08	06290127	AFSTANDSSTYKKE DISTANCE PIECE	ENTRETOISE P/PISTOL290111	1	1
09	06290128	MUFFE SOCKET	MANCHON P/PISTOL 290111	1	1
10	06290129	AFSTANDSSTYKKE DISTANCE PIECE	ENTRETOISE P/PISTOL290111	1	1
11	06290130	LYNKOBLING KPL. QUICK COUPLING CPL.	RACCORD RAPID.PIST.290111	1	1
12	06110200	HØJTRYKSSLANG DN10X10M HIGH PRESSURE HOSE, 3/8"X3/8" NIPPLE, Ø10 MM 10 M	HOCHDRUCKSCHLAUCH FLEXIB.HP 10M-DIAMETRE 10	1	1
12	06110475	HØJTRYKSSLANG DN8X10M HIGH PRESSURE HOSE, 3/8"X3/8" NIPPLE, Ø8 MM 10 M	HOCHDRUCKSCHLAUCH M. SCHRAUBENKUPPLUNGEN TUYAU H.P.SCHIF.AV.RAC.AEER A/RAC. A VIS	1	1
13	06260936	PAKINGSKIT F. SKRUEKØB. GASKET KIT FOR SCREW COUPLING	DICHTUNGSKIT F. SCHRAUBENKUPPLUNG KIT JOINT RACCORD VIS VIS	1	1

Spulerør / Lances / Lanzen / Lance





## Spulerør / Lances / Lanzen / Lance

Pos.	Ref. no.	Betegnelse Description	Bezeichnung Description	600 DE	600 D
0-A	06262086	TURBO-LASER 600MM QUICK TURBO LASER W. PRES. REG. - QUICK - 600 MM, 6.5	TURBO-LASER 600MM RAPIDE	1	1
0-B	06262063	DOB.B.SPULERØR 600MM QUICK DOUBLE LANCE - PRES. REG.- QUICK -600 MM,	LANCE DOUBLE RAPIDE, 600M	1	1
0-C	06262059	ENK.SPULERØR 600MM QUICK SINGLE LANCE - QUICK - 600 MM, EXCL.NOZ	LANCE SIMPLE RAPIDE, 600M	1	1
0-D	06262094	SPECTRUM M/ TRYKREG. - LYN - 600 MM, 165 SPECTRUM W. PRES. REG. - QUICK - 600 MM, 165	LANCE SPECTRUM 600/#6.5 R	1	1
0-D	06262253	SPECTRUM 600 U.DYSE QUICK SPECTRUM W. PRES. REG. - QUICK - 600 MM,	LANCE SPECTRUM R.R-S/GICL	1	1
0-E	06262128	ROTO JET W/ LYN - 600 MM, 7.0 ROTO JET - QUICK - 600 MM, 7.0	LANCE ROTO JET RAPIDE 070	1	1
01	06260232	HANDTAGSKIT F.SPULERØR HANDLE KIT	HANDGRIFFKIT F. DOPPELLANZE KIT SERVICE AVEC POIGNEENNE DOUBLE	1	1
02	06070479	SKRUE, 4X20 SCREW, 4X20	SCHNEIDSCHRAUBE, SCHWARZZINK VIS	3	3
03	06200097	PYNTEDEKSEL , PISTOL 5 COVER, PISTOL 5	STAUBKAPPE F. VENTILGEHAEUSE COUVERCLEOR. D. VAN OR. D. VAN	1	1
04	06260860	VENTILSPINDEL KIT VALVE SPINDLE KIT	VENTILSPINDELKIT F. DRUCKREGELUNG KIT REGLAGE PRESSION DOUBLEGL. PRES.	1	1
04C	06120006	O-RING, 6.75X1,78 O-RING, 6.75X1,78	O-RING JOINT TORIQUE MAT 4470	1	1
04D	06120010	O-RING, 13.1X1,6 O-RING, 13.1X1,6	O-RING JOINT TORIQUE MAT 4470	1	1
04E	06190245	MØTRIK NUT	MUTTER F. VENTIL ECROU POUR VANNE DOUB.LAN	1	1
05	06211078	VENTILHUS VALVE HOUSING	VENTILGEHAEUSE, KPL CULASSE LANCE DOUBLE ET	1	1
09	06030527	BRYSTNIPPEL, 8X1/4" BREAST NIPPLE, 8X1/4"	GEWINDESTUECK RACCORD	1	1
10	06050841	SPULERØR LIGE, Ø13X1,5X586 LANCE STRAIGHT, Ø13X1,5X586	LANZE GERADE TURBO LASER LANCE DROITE TURBO LASER	1	1
11	06050842	KEMIRØR 15 GR. BUK , Ø8X1X622 DETERGENT PIPE 15 DEG., Ø8X1X622	REI.MITTLEROHR 15 GR. VERB. F. T. L. TUYAU POUR LANCESE, 15 DSER, 15 DEGRES	1	1
12	06261130	BESLAG FOR TURBO LASER FITTINGS FOR TURBO LASER	BESCHLAG F. TURBO LASER ROHR ARMATURE POUR TURBO LASER TUYAU	1	1
13	06261288	TURBO LASER HUS , Ø3,6 MIN 720 L TURBO LASER HOUSING, Ø3,6 MIN 720 L	GEHAEUSE F. TURBO LASER CORPS P.TURBO LASER 3E GE COMPLET	1	1
14	06261151	TURBO LASER KIT, 6.5 TURBO LASER KIT, 6.5	SERVICEKIT F. TURBO LASER KIT REPARATION TURBO LASEASER	1	1
14A	06120544	O-RING, 36.0X1,78 O-RING, 36.0X1,78	JOINT TORIQUE	1	1
14F	06120282	O-RING, 14X1,78 O-RING, 14X1,78	O-RING JOINT TORIQUE 14 X 1,78	1	1

## Spulerør / Lances / Lanzen / Lance

Pos.	Ref. no.	Betegnelse Description	Bezeichnung Description	600 DE	600 D
14H	06180533	DYSE, Ø10X12 NOZZLE, Ø10X12	DUESE GICLEUR DIA. 10X12	1	1
15	06180936	LAG FOR TURBO LASER COVER FOR TURBO LASER	DECKEL F. TURBO LASER, BEARBEITET COUVER.P.TURBO LASER FACOR, FACONNE	1	1
16	06090211	DYSE HÆRDET 1/4-1506.5 FLAT JET NOZZLE 15°, 6.5	FLACHSTRAHLDUESE 15° GICLEUR DURCI 1/4MEG15065	1	1
17	06180780	DYSEHOLDER, 17X20 NOZZLE HOLDER, 17X20	DUESENHALTER F/HOCHDRUCKDUESE SUPPORT DE GICLEUR H.P.EUEUR H.P.	1	1
18	06180779	KEMIDYSE, Ø10X22 DETERGENT NOZZLE, Ø10X22	REINIGUNGSMITTELDUESE GICLEUR DETERGENT	1	1
19	06180781	DYSEHOLDER FOR KEMI, 17X20 NOZZLE HOLDER FOR DETERGENTS, 17X20	DUESENHALTER F/REINIGUNGSMITTEL SUPPORT DE GICLEUR DETERGRGENT	1	1
20	06200226	DYSEBESKYTTER NOZZLE PROTECTION, PLASTIC	DUESENSCHUTZ KUNSTSTOFF PROTECTION GICLEUR PLASTI PLASTIQUE	2	2
21	06070497	SKRUE, 5X22 SCREW, 5X22	SCHRAUBE, ROSTFREI, Z/K VIS C/H INOX	1	1
22	06080123	MØTRIK, M5 NUT, M5	MUTTER, ROSTFREI RONDELLE	1	1
23	06050941	KEMI-RØR, RUSTFRI, Ø13X1,5X591 DETERGENT PIPE, STAINLESS, Ø13X1,5X591	DOPPELLANZE TUBE DE LANCE BP	1	1
24	06050940	SPULERØR, RUSTFRI, Ø13X1,5X596 LANZE, STAINLESS, Ø13X1,5X596	DOPPELLANZE TUBE DE LANCE HP	1	1
25	06260537	BESLAG F. DOBB. SPULERØR FITTINGS FOR DOUBLE LANCE	BESCHLAG F/DOPPELLANZE TURBO ENTRETOISE LANCE TURBOE TE TURBO	1	1
26	06181232	DYSEHOLDER FOR KEMI, Ø18X26 NOZZLE HOLDER FOR DETERGENTS, Ø18X26	DUESENHALTER F. REINIGUNGSMITTELDUESE SUPPORT GICLEUR POUR DETER DE DETERGENT	1	1
27	06200374	DYSEBESKYTTER DOBBELT NOZZLE PROTECTION, PLASTIC, DOBBLE	DUESESCHUTZ - DOBBELT PROTECT.PLAST.GICLEUR LAN	1	1
28	06030643	MUFFE FOR SPULERØR, Ø10 SOCKET FOR LANCE, Ø10	MUFFE F. LANZE MANCHON POUR LANCE INOX	1	1
28	06181233	DYSEHOLDER, Ø18X26 NOZZLE HOLDER, Ø18X26	DUESENHALTER F. HOCHDRUCKDUESE SUPPORT GICLEUR HAUTE PRR HAUTE PRESSION	1	1
30	06050116	SPULERØR, RUSTFRI, Ø13X586 LANZE, STAINLESS, Ø13X586	LANZE, ROSTFREI LANCE INOX DIAM. 13X596	1	1
31	06200375	DYSEBESKYTTER ENKELT NOZZLE PROTECTION, PLASTIC, SINGLE	DUESESCHUTZ PROTECT.PLAST.GICLEUR LAN	1	1
35	06261988	SPECTRUM KIT, 150 SPECTRUM KIT, 150	SPECTRUM KIT KIT SPECTRUM 690/6900	1	1
36	06030649	LYNKOBLING 1/4 UDV. QUICK COUPLING, 1/4"	SCHNELLKUPPLING RACCORD RAPIDE	1	1
37	06030827	NIPPEL QUICK-1/4" INDV. NIPPLE, 1/4"	RACCORD RAPIDE 1/4" INTER	1	1
38	06050841	SPULERØR LIGE, Ø13X1,5X586 LANCE STRAIGHT, Ø13X1,5X586	LANZE GERADE TURBO LASER LANCE DROITE TURBO LASER	1	1

**Spulerør / Lances / Lanzen / Lance**

Pos.	Ref. no.	Betegnelse Description	Bezeichnung Description	600 DE	600 D
39	06262139	ROTO JET DYSE KPL., 7.0 ROTO JET NOZZLE CPL., 7.0	GICLEUR ROTO CPL. 7.0	1	1
40	06262226	ROTO DYSE KIT 070 ROTO JET NOZZLE KIT, 7.0	KIT POUR GICLEUR ROTO 070	1	1
41	06260365	HANDGREB TIL ROT. BØRSTER OG ENKELT LANSERØR, HANDLE FOR ROTATING BRUSHES AND SINGLE	HANDGRIFF POIGNEE DE MAINTIEN LANCE	1	1