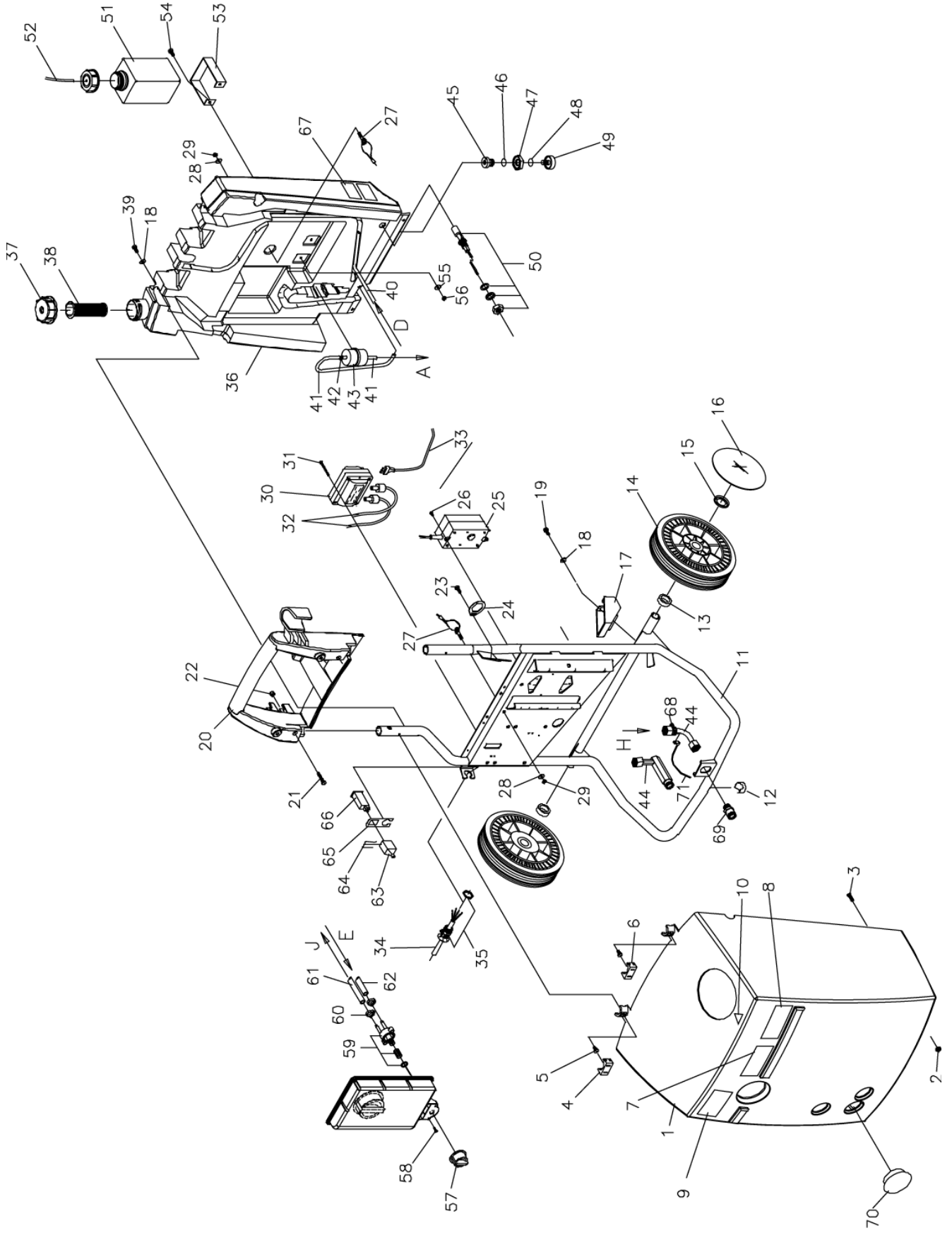

2300A-2500A-2700A-2302A-2502A-2702A

**Reservedelsliste
Spare parts list
Ersatzteilliste
Liste de pièces détachées**

Karosse / Body / Karosserie / Carrosserie	2
Motor / Motor / Motor / Moteur	8
Pumpe / Pump / Pumpe / Pomp	13
Oliepumpe / Oil pump / ÖlPumpen / Pomp d'hule	16
Kedel / Boiler / Kessel / Chaudière	18
Oliefyr / Oilburner / Ölbrenner / Brulerur	21
EI-komponenter / Electric components / Elektrische komponente / Composantes électrique	25
Pistol / Pistol / Pistole / Pistolet	28
Lanser / Lances / Lanzen / Lance	30

Karosserie / Body / Carrosserie / Carrosserie



Karosseri / Body / Carrosserie / Carrosserie

Pos.	Ref. no.	Betegnelse Description	Bezeichnung Description	2300 A	2302 A	2500 A	2502 A	2700 A	2702 A
01	06240277	KAROSSE GRØN, G2000 BODY GREEN, G2000	CARROSS. VERTE 2300/2500/	1	1	1	1	1	1
01	06240278	KAROSSE GRÅ, G2000 BODY GREY, G2000	CARROSS. GR/ISE 2300/2500- 2700	1	1	1	1	1	1
02	06080254	MØTRIK, M6 NUT, M6	ECROU, M6	2	2	2	2	2	2
03	06070833	SKRUE, 6X20 SCREW, 6X20	VIS, 6X20	2	2	2	2	2	2
04	06200501	AFDÆKNING VENSTRE COVERING FOR LEFT	CACHE VIS GRIS 2300/2500/	1	1	1	1	1	1
05	06070435	SKRUE, M6X16 SCREW, M6X16	TAP TITE P/K, GALV. VIS M6X16 2300/2500/2700	2	2	2	2	2	2
06	06200500	AFDÆKNING HØJRE COVERING FOR RIGHT	CACHE VIS GRIS 2300/2500/	1	1	1	1	1	1
07	06301923	TRANSFERS GERNI TRANSFERS GERNI	KLEBESTREIFEN GERNI AUTOCOLLANT GERNI	1	1	1	1	1	1
08	06301880	TRANSFER, GERNI 2300 TRANSFERS, GERNI 2300	AUTOCOLLANT 2300	1					
08	06301881	TRANSFER, GERNI 2500 TRANSFERS, GERNI 2500	AUTOCOLLANT 2500			1			
08	06301882	TRANSFER, GERNI 2700 TRANSFERS, GERNI 2700	AUTOCOLLANT 2700					1	
08	06302011	TRANSFERS, G2302A TRANSFERS, G2302A	KLEBESTREIFEN G2302A AUTOCOLLANT, G2302A		1				
08	06302012	TRANSFERS G2502A TRANSFERS G2502A	KLEBESTREIFEN G2502A AUTOCOLLANT G2502A				1		
08	06302013	TRANSFERS, G2702A TRANSFERS, G2702A	KLEBESTREIFEN G2702A AUTOCOLLANT, G2702A						1
09	06301883	TRANSFER, NILFISK 2300 TRANSFERS, NILFISK 2300	AUTOCOLLANT, NILFISK 2300	1					
09	06301884	TRANSFER, NILFISK 2500 TRANSFERS, NILFISK 2500	AUTOCOLLANT N 2500		1				
09	06301885	TRANSFER, NILFISK 2700 TRANSFERS, NILFISK 2700	AUTOCOLLANT N 2700					1	
09	06302014	TRANSFERS N2302A TRANSFERS N2302A	KLEBESTREIFEN N2302A AUTOCOLLANT, N2302A		1				
09	06302015	TRANSFERS N2502A TRANSFERS N2502A	KLEBESTREIFEN N2502A AUTOCOLLANT, N2502A				1		
09	06302016	TRANSFERS N2702A TRANSFERS N2702A	KLEBESTREIFEN N2702A AUTOCOLLANT, N2702A						1
10	06301762	TRANSFER -ADVARSEL-HÅND TRANSFERS - WARNING-HAND	ETIKETT DREIECK HAND AUTOCOLLANT	1	1	1	1	1	1
11	06211700	RAMME, G2000 FRAME, G2000	CADRE, G2000	1	1	1	1	1	1

Karosseri / Body / Karosserie / Carrosserie

Pos.	Ref. no.	Betegnelse Description	Bezeichnung Description	2300 A	2302 A	2500 A	2502 A	2700 A	2702 A
12	06200230	AFSTANDSSTYKKE	SOCKEL F/KIPPSTAENDER SCHWARZ G-175 BOUT G-175	1	1	1	1	1	1
13	06181495	SKIVE, Ø25,5/Ø40X10,5 WASHER, Ø25,5/Ø40X10,5	RONDELLE, □25,5/□40X10,5	2	2	2	2	2	2
14	06130223	HJUL, 25/47,5-250/55 WHEEL, 25/47,5-250/55	ROUE 2500/2500/2700A	2	2	2	2	2	2
15	06080136	LÅSESKIVE U/KAPPE, Ø25 MM LOCK WASHER WITHOUT CAP, Ø25 MM	FEDERTELLERSCHIBE OHNE KAPPE BAGUE DENTEEON ON	2	2	2	2	2	2
16	06130224	NAVKAPSEL GRØN, RAL 6005 HUB CAP GREEN, RAL 6005	ENJOLIVEUR ROUE "VERT"	2	2	2	2	2	2
16	06130225	NAVKAPSEL BLÅ, RAL 5013 HUB CAP BLUE, RAL 5013	ENJOLIVEUR BLEU, RAL 5013	2	2	2	2	2	2
17	06200498	SPULERØRSHOLDER LANCE HOLDER	SUPPORT DE LANCE	1	1	1	1	1	1
18	06080132	SKIVE, 6X30 WASHER, 6X30	SCHEIBE, GALV. RONDELLE	2	2	2	2	2	2
19	06070435	SKRUE, M6X16 SCREW, M6X16	TAP TITE P/K, GALV. VIS M6X16 2300/2500/2700	2	2	2	2	2	2
20	06200494	KØREHANDTAG, G2000 OPERATION HANDLE, G2000	POIGNEE DE POUSSÉE	1	1	1	1	1	1
21	06070864	SKRUE, M6X35 SCREW, M6X35	SCHRAUBE VIS M6X35	2	2	2	2	2	2
22	06080245	MØTRIK, M6 NUT, M6	MUTTER ECROU	2	2	2	2	2	2
23	06070346	SKRUE, 6X10 SCREW, 6X10	SCHRAUBE, P/K, GALV. VIS	1	1	1	1	1	1
24	06061451	LÅSEBØJLE LOCK FITTINGS	GARNITURE DE SERRURE	1	1	1	1	1	1
25	06262195	DOSERPUMPE, 230V 50/60HZ DOSING PUMP, 230V 50/60HZ	POMPE DOSAGE 2300/2500/27	1	1	1	1	1	1
25	06262204	DOSERPUMPE, 200V DOSING PUMP, 200V	POMPE DE DOSAGE, 200V					1	1
26	06070886	TAP TITE, M4X10 TAP TITE, M4X10	TAP TITE, M4X10	2	2	2	2	2	2
27	06211703	STROP STRAP	PATTE	1	1	1	1	1	1
28	06080132	SKIVE, 6X30 WASHER, 6X30	SCHEIBE, GALV. RONDELLE	2	2	2	2	2	2
29	06080058	MØTRIK, M6 NUT, M6	MUTTER, GALV. ECROU	2	2	2	2	2	2
30	06230366	TÆNDTRANSFORMER, 230/400V IGNITION TRANSFORMER, 230/400V	TRANSFORMATEUR ALLUM.230V	1	1	1	1	1	1
31	06070520	SKRUE, 4X50 SCREW, 4X50	SCHRAUBE, P/K VIS	4	4	4	4	4	4

Karosser / Body / Karosserie / Carrosserie

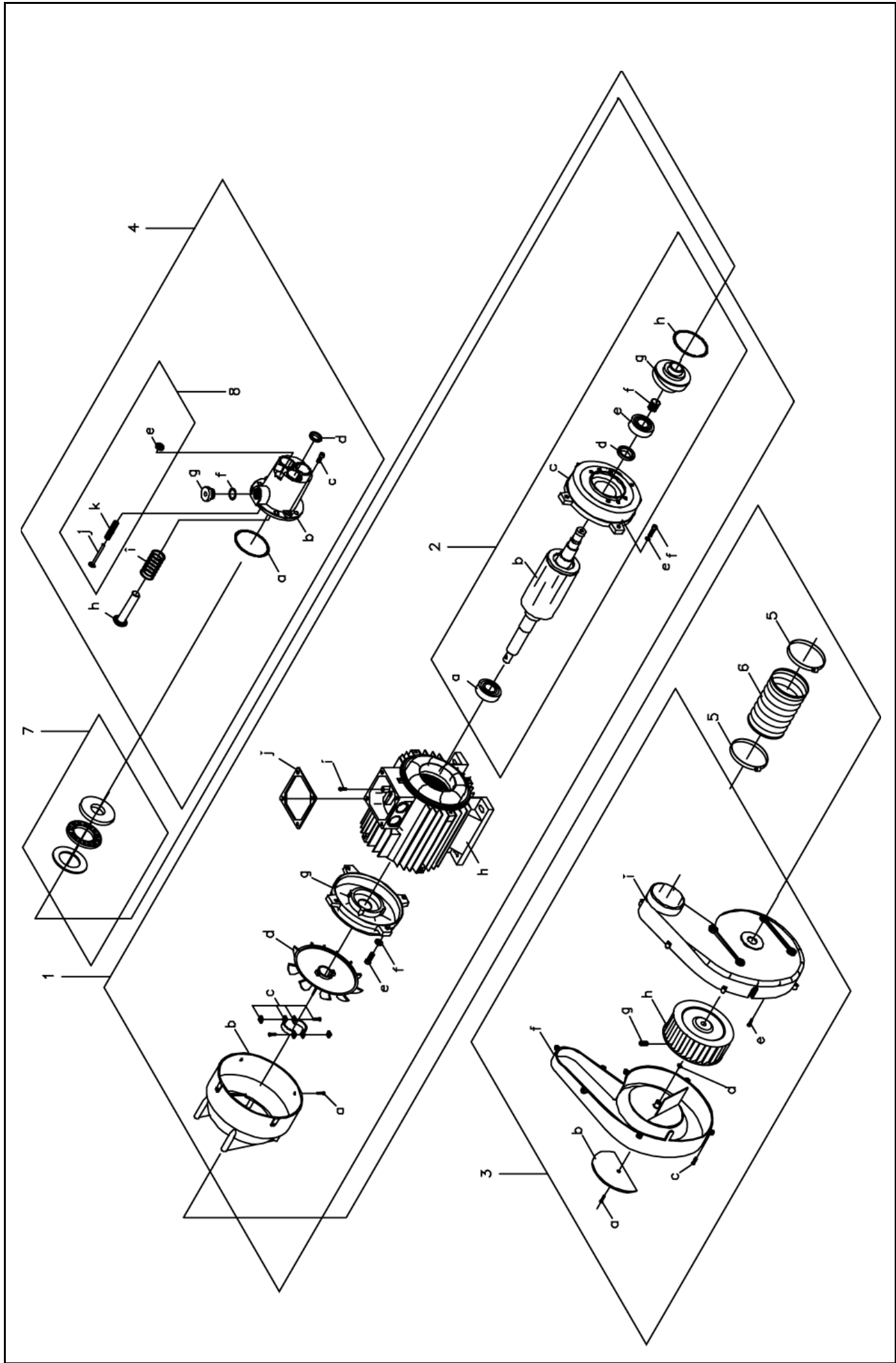
Pos.	Ref. no.	Betegnelse Description	Bezeichnung Description	2300 A	2302 A	2500 A	2502 A	2700 A	2702 A
32	06161037	TÆNDKABEL, 700 MM IGNITION CABLE, 700 MM	CABLE D ALLUMAGE 2300/250	2	2	2	2	2	2
33	06161038	LEDNING I/STIK F. TÆNDTRAFØ, 700 MM CABLE F. IGNITION, 700 MM	KABEL F.ZUNDETRAFØ 890MM CABLE POUR D'ALLUMAGE, 700 MM	1	1	1	1	1	1
34	06262229	TILGANGSKABEL GUMMI, 3X1,5X5500 INLET CABLE RUBBER, 3X1,5X5500	CABLE D'ENTREE EN CAOUTCHOUC, 3X1,5X5500	1	1	1	1	1	1
34	06262230	TILGANGSKABEL GUMMI, 3X1,5X5500 SCHUCCO INLET CABLE RUBBER, 3X1,5X5500 SCHUCCO	CABLE D'ENTREE EN CAOUTCHOUC, 3X1,5X5500	1	1	1	1	1	1
34	06262231	TILGANGSKABEL GUMMI, 3X1,5X5500 DK INLET CABLE RUBBER, 3X1,5X5500 DK	CABLE ELECTRIQUE G2500	1	1	1	1	1	1
34	06262232	TILGANGSKABEL, PLAST, 3X1,5X5500 UK INLET CABLE PLASTIC, 3X1,5X5500 UK	CABLE D'ENTREE EN PLASTIQUE, 3X1,5X5500 UK	1	1	1	1	1	1
34	06262233	TILGANGSKABEL, PLAST, 3X1,0X5500 10A AU INLET CABLE PLASTIC, 3X1,0X5500 10A AU	CABLE D'ENTREE EN PLASTIQUE, 3X1,0X5500 10A AU	1	1	1	1	1	1
34	06262234	TILGANGSKABEL, PLAST, 3X1,5X5500 15A AU INLET CABLE PLASTIC, 3X1,5X5500 15A AU	CABLE D'ENTREE EN PLASTIQUE, 3X1,5X5500 15A AU	1	1	1	1	1	1
34	06262235	TILGANGSKABEL GUMMI, 4X1,5X5500 INLET CABLE RUBBER, 4X1,5X5500	CABLE D'ENTREE EN CAOUTCHOUC, 4X1,5X5500	1	1	1	1	1	1
34	06262236	TILGANGSKABEL GUMMI, 4X1,5X5500 CEE INLET CABLE RUBBER, 4X1,5X5500 CEE	CABLE D'ENTREE EN CAOUTCHOUC, 4X1,5X5500 CEE	1	1	1	1	1	1
34	06262237	TILGANGSKABEL GUMMI, 4X1,5X5500 AU INLET CABLE RUBBER, 4X1,5X5500 AU	CABLE D'ENTREE EN CAOUTCHOUC, 4X1,5X5500 AU	1	1	1	1	1	1
35	06261856	KABELGENNEMFØRINGSSKIT, 3X1,5 MM2 CABLE GROMMET KIT, 3X1,5 MM2	KABELDURCHFØHRUNGSSKIT KIT DE TRAVERSEE DE CABLE	1	1	1	1	1	1
35	06261857	KABELGENNEMFØRINGSSKIT, 3/4X1,5 CABLE GROMMET KIT, 3/4X1,5	KABELDURCHFØHRUNGSSKIT KIT DE TRAVERSEE DE CABLE	1	1	1	1	1	1
36	06262251	BRÆNDSTØFTANK M.BUNDPROP FUEL TANK WITH PLUG, G2000	RESERVOIR GO 2300/2500/27	1	1	1	1	1	1
37	06200271	KAPSEL M. HÆTTE, 60 MM JACKET W. CAP, 60 MM	KAPSEL 60 MM M. KAPPE BOUCHON DE RESERVOIR/MANC/MANCHON	1	1	1	1	1	1
38	06100353	FILTERSI, Ø44X80 1CN STRAINER, Ø44X80 1CN	BRENNSTOFFFILTER FILTRE POUR GAS-OIL G-400	1	1	1	1	1	1
39	06070427	SELVSKÆRENDE SKRUE, 6X16 SELF-TAPPING SCREW, 6X16	SCHRAUBE P/K, GALV. VIS 6 X 16 TETE RONDE	2	2	2	2	2	2
40	06110645	OLIESLANGE, Ø6X1300 MM OIL HOSE, Ø6X1300 MM	DURITE GAS OIL 2300/2500/	1	1	1	1	1	1
41	06110643	OLIESLANGE, Ø6X420 OIL HOSE, Ø6X420	DURITE=1106710UKIT 262315	2	2	2	2	2	2
42	06110658	SPÆNDEBAND, 9-14 RETAINING RING, 9-14	CIRCLIP	2	2	2	2	2	2
43	06230327	BRÆNDSTOFFILTER FUEL FILTER	BRENNSTOFFILTER FILTRE A GASOIL G-3000	1	1	1	1	1	1
44	06262247	AFGANGSSTUDES OUTLET SOCKET	RACCORD DE DEPART 2300/	1	1	1	1	1	1

Karosseri / Body / Carrosserie / Carrosserie

Pos.	Ref. no.	Betegnelse Description	Bezeichnung Description	2300 A	2302 A	2500 A	2502 A	2700 A	2702 A
44	06262364	AFGANGSSTUJS KPL., G2002 OUTLET SOCKET CPL., G2002	TUYAU DE SORTIE CPL 2002	1		1			1
45	06181287	NIPPEL NIPPLE	NIPPEL F. OELENTLEERUNG RACCORDE E	1	1	1	1	1	1
46	06120232	O-RING, 15X3 O-RING, 15X3	O-RING JOINT	1	1	1	1	1	1
47	06181288	MØTRIK NUT	MUTTER F. OELENTLEERUNG ECROU	1	1	1	1	1	1
48	06120232	O-RING, 15X3 O-RING, 15X3	O-RING JOINT	1	1	1	1	1	1
49	06180579	BUNDPROF, Ø24X20 BOTTOM CAP, Ø24X20	BODENPFROPFEN F. OELTANK PRISE SUPERIEURE DE RESERA FUEL	1	1	1	1	1	1
50	06262208	OLIENIVEAU KPL G2000 LEVEL CONTROL	JAUGE DE NIVEAU	1	1	1	1	1	1
51	06150099	FLASKE M. LAG BOTTLE W. COVER	KAUTEK FLASCHE M/DECKEL BOCAL P/SYSTEME ANTI CALC	1	1	1	1	1	1
53	06061433	BESLAG FOR DUNK AFKALKING FITTINGS FOR TANK DECALCIFICATION	ARMATURE P. RESERVOIR DECALCIFICATI	1	1	1	1	1	1
54	06070346	SKRUE, 6X10 SCREW, 6X10	SCHRAUBE, P/K, GALV. VIS	2	2	2	2	2	2
55	06080157	SPÆNDESKIVE, M6 TENSION DISC, M6	FEDERSKIBE, GALV. RONDELLE DE SERRAGE	2	2	2	2	2	2
56	06080058	MØTRIK, M6 NUT, M6	MUTTER, GALV. ECROU	2	2	2	2	2	2
57	06200496	KNAP KEMI DETERGENT BUTTON	BOUON DETERGENT 2300/5/7	1	1	1	1	1	1
58	06070772	SKRUE, 3.5X20 SCREW, 3.5X20	SCHRAUBE VIS 3.5X20	2	2	2	2	2	2
59	06211201	PLASTVENTIL KOMPLET PLASTIC DETERGENT VALVE CPL.	PLASTIK REINIGUNGSMITTELVENTIL KPL VANNE PLASTIQUE G-2000/60ST. CPL.	1	1	1	1	1	1
60	06110494	SPÆNDEBAND, 10-12 RETAINING RING, 10-12	SCHLAUCHSCHELLE FRETTE	2	2	2	2	2	2
61	06110647	KEMISLANGE, Ø6X1900 MM DETERGENT HOSE, Ø6X1900 MM	TUYAU DE DETERGENT, □6X1900 MM	1	1	1	1	1	1
62	06110646	KEMISLANGE, Ø7X330 DETERGENT HOSE, Ø7X330	TUYAU DE DETERGENT, □7X330	1	1	1	1	1	1
63	06200527	BESKYTTELSEHÆTTE PROTECTION CAP	SCHÜTZKAPPE CAPUCHON DE PROTECTION	1	1	1	1	1	1
63-66	06262360	BRÆNDSTOFTANK VENSTRE FUEL TANK LEFT CPL.	RESERVOIR FUEL GAUCHE	1	1	1	1	1	1
64	06280201	LÅSEBØJLE LOCK FITTINGS	GARNITURE DE SERRURE	1	1	1	1	1	1
65	06061475			1	1	1	1	1	1

Karosseri / Body / Karosserie / Carrosserie

Pos.	Ref. no.	Betegnelse Description	Bezeichnung Description	2300 A	2302 A	2500 A	2502 A	2700 A	2702 A
66	06220055	TIMETÆLLER, 230V HOUR METRE, 230V	COMPTER HORAIRE, 230V	1	1	1	1	1	1
67	06301619	TRANSFER "ADVARSEL" TRANSFERS "WARNING"	TRANSFERS WAHRNUNG AUTOCOL."AVERTISSEMENT"	1	1	1	1	1	1
68	06110494	SPÆNDEBÅND, 10-12 RETAINING RING, 10-12	SCHLAUCHSCHELLE FRETTE		1		1		1
69	06181571	AFGANGSSTUJS, OUTLET SOCKET, 24X40	RACCORD DE DEPART, 24X40		1		1		1
70	06150185	AFDÆKNINGSPROP, Ø50X12 COVER PLUG, Ø50X12	CAPUCHON DE COUVERTURE, □50X12		1		1		1
71	06170267	TEMPERATURFØLER G2002, G2002 THERMAL PROTECTOR, G2002	DETECTEUR DE TEMPERATURE		1		1		1



Motor / Motor / Motor / Moteur

Pos.	Ref. no.	Betegnelse Description	Bezeichnung Description	2300 A	2302 A	2500 A	2502 A	2700 A	2702 A
01	06360591	MOTOR INCL. SKRÅSKIVE, G2500 1X230V 50HZ MOTOR INCL. CAM DISC, G2500 1X230V 50HZ	MOTEUR AVEC DISQUE INCLIN			1	1		
01	06360592	MOTOR INCL. SKRÅSKIVE, G2500 1X230V 60HZ MOTOR INCL. CAM DISC, G2500 1X230V 60HZ	MOTEUR INCL. DISQUE INCL., G2500 1X230V 60HZ			1	1		
01	06360593	MOTOR INCL. SKRÅSKIVE, G2700 3X230/400/415V 50HZ MOTOR INCL. CAM DISC, G2700 3X230/400/415V 50HZ	MOTEUR AVEC DISQUE INCLIN				1	1	1
01	06360594	MOTOR INCL. SKRÅSKIVE, G2700 3X230V 60HZ MOTOR INCL. CAM DISC, G2700 3X230V 60HZ	MOTEUR INCL. DISQUE INCL., G2700 3X230V 60HZ				1	1	1
01	06360595	MOTOR INCL. SKRÅSKIVE, G2700 3X200V 50HZ MOTOR INCL. CAM DISC, G2700 3X200V 50HZ	MOTEUR INCL. DISQUE INCL., G2700 3X200V 50HZ				1	1	1
01	06360596	MOTOR INCL. SKRÅSKIVE, G2700 3X200V 60HZ MOTOR INCL. CAM DISC, G2700 3X200V 60HZ	MOTEUR INCL. DISQUE INCL., G2700 3X200V 60HZ				1	1	1
01	06360599	MOTOR INCL. SKRÅSKIVE, G2300 1X230V 50HZ MOTOR INCL. CAM DISC, G2300 1X230V 50HZ	MOTEUR AVEC DISQUE INCLIN	1	1				
01A	06070778	SKRUE, 3,9X9,5 SCREW, 3,9X9,5	VIS, 3,9X9,5	4	4	4	4	4	4
01B	06270367	VENTILATIONSDEKSEL, NICO FAN COVER, NICO	COUVERCLE A VENTILATION, NICO	1	1	1	1	1	1
01C	06270338	KOBLING, KPL. COUPLING, CPL.	ACCOUPLLEMENT CPL.	1	1	1	1	1	1
01D	06270336	VENTILATORVINGE FAN BLADE	HELICE G 230 - 250 - 270	1	1	1	1	1	1
01E	06070796	SÆTSKRUE GALV	GEWINDESTIFT VIS D'ARRRET GALVANISEE	4	4	4	4	4	4
01F	06080016	SPÆNDESKIVE, 6 MM TENSION DISC, 6 MM	FEDERSCHIBE, GALV. RONDELLE DE SERRAGE	4	4	4	4	4	4
01G	06270337	MOTORFLANGE MOTOR FLANGE	BRIDE DE MOTEUR	1	1	1	1	1	1
01H	06270363	MOTOR KPL., 1X230V50HZ1.8KW MOTOR CPL., 1X230V50HZ1.8KW	MOTEUR 1X230 -50HZ P/2300	1	1				
01H	06270364	MOTOR KPL., 1X230V50HZ2.3KW MOTOR CPL., 1X230V50HZ2.3KW	MOTEUR 1X230-50 HZ P/2500			1	1		
01H	06270365	MOTOR KPL., 3X400V50HZ3.0KW MOTOR CPL., 3X400V50HZ3.0KW	MOTEUR 2700 - 3X380 -50HZ					1	1
01H	06270375	MOTOR KPL., 1X230V60HZ2.3KW MOTOR CPL., 1X230V60HZ2.3KW	MOTEUR CPL., 1X230V60HZ2,3KW			1	1		
01H	06270376	MOTOR KPL., 3X200V50/60HZ3KW MOTOR CPL., 3X200V50/60HZ3KW	MOTEUR CPL., 3X200V50/60HZ3KW					1	1
01I	06070668	SKRUE, 3,9X9,5 SCREW, 3,9X9,5	VIS, 3,9X9,5	4	4	4	4	4	4
01J	06120542	PAKNING GASKET	DICHTUNG F. LEITERKASSE JOINT P. BOITE A BORNES	1	1	1	1	1	1
02	06262158	ROTOR KPL., 2300 50HZ ROTOR CPL., 2300 50HZ	ROTOR CPL., 2300 50HZ	1	1				

Motor / Motor / Moteur

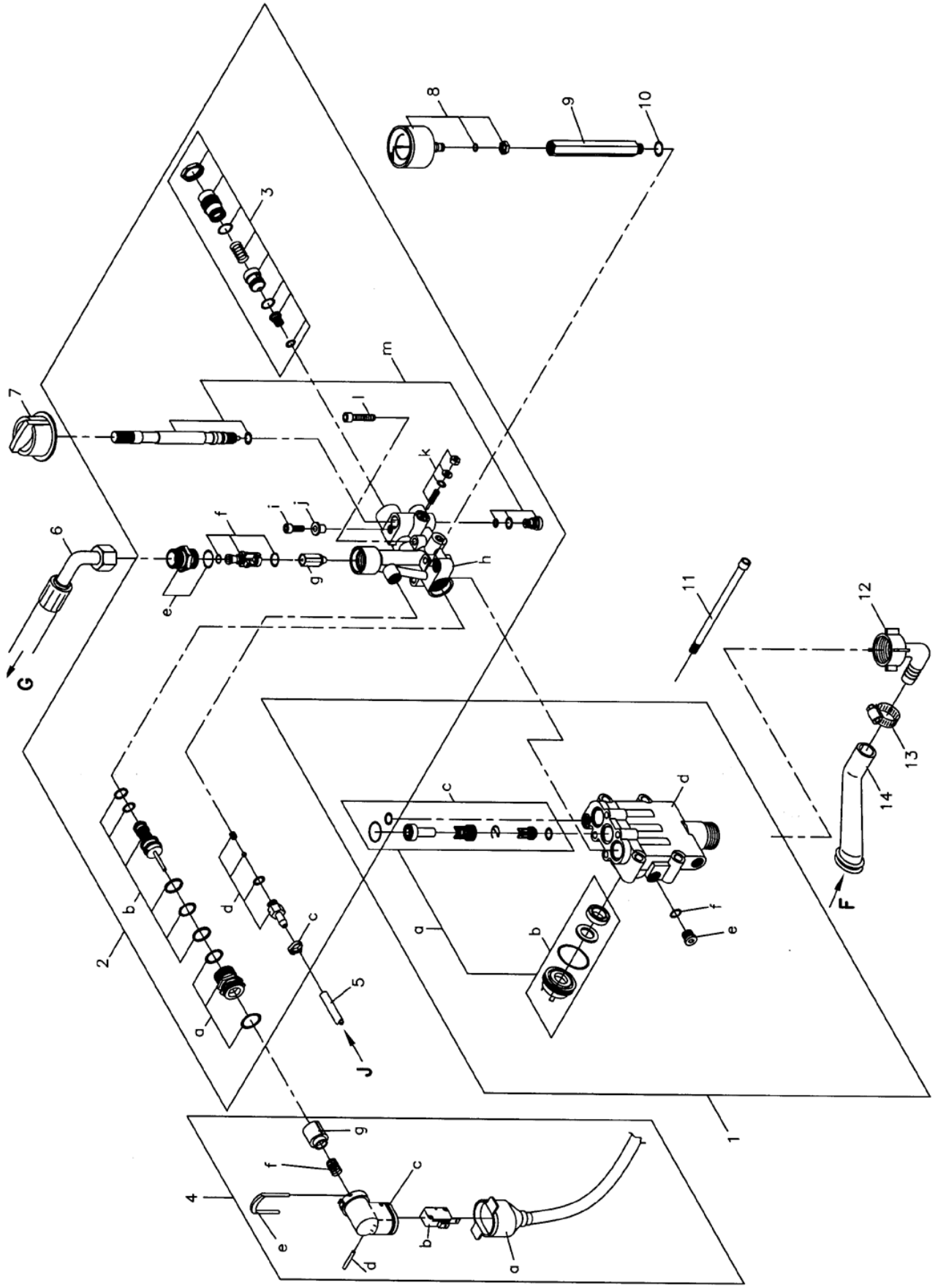
Pos.	Ref. no.	Betegnelse Description	Bezeichnung Description	2300 A	2302 A	2500 A	2502 A	2700 A	2702 A
02	06262159	ROTOR KPL., 2500 50HZ ROTOR CPL., 2500 50HZ	ROTOR CPL., 2500 50HZ		1	1			
02	06262160	ROTOR KPL., 2500 60HZ ROTOR CPL., 2500 60HZ	ROTOR CPL., 2500 60HZ		1	1			
02	06262161	ROTOR KPL., 2700 50HZ ROTOR CPL., 2700 50HZ	ROTOR CPL AV/DIS.IN 2700				1	1	1
02	06262162	ROTOR KPL., 2700 60HZ ROTOR CPL., 2700 60HZ	ROTOR CPL., 2700 60HZ				1	1	1
02	06262163	ROTOR KPL., 2700 200V 50HZ ROTOR CPL., 2700 200V 50HZ	ROTOR CPL., 2700 200V 50HZ				1	1	1
02	06262164	ROTOR KPL., 2700 200V 60HZ ROTOR CPL., 2700 200V 60HZ	ROTOR CPL., 2700 200V 60HZ				1	1	1
02A	06140039	KUGELEJE BALL BEARING	KUGELLAGER 6205 ZZR C3.L12 ROULEMENT 6205 G 600	1	1	1	1	1	1
02B	06270360	ROTOR M/AKSEL, 1X230V50HZ1.8KW ROTOR WITH AXLE, 1X230V50HZ1.8KW	ROTOR A. ARBRE, 1X230V50HZ1.8KW	1	1				
02B	06270361	ROTOR M/AKSEL, 1X230V50HZ2.3KW ROTOR WITH AXLE, 1X230V50HZ2.3KW	ROTOR A. ARBRE, 1X230V50HZ2.3KW			1	1		
02B	06270362	ROTOR M/AKSEL, 3X400V50HZ3.0KW ROTOR WITH AXLE, 3X400V50HZ3.0KW	ROTOR A. ARBRE, 3X400V50HZ3.0KW				1	1	1
02B	06270373	ROTOR M/AKSEL, 1/230 60HZ 2.3KW ROTOR WITH AXLE, 1/230 60HZ 2.3KW	ROTOR A. ARBRE, 1/230 60HZ 2.3KW			1	1		
02C	06181376	FLANGE FLANGE	BRIDE		1				
02D	06120552	SIMMERRING SEALING RING	BAGUE OBTURATEUSE P/HUILE	1	1	1	1	1	1
02E	06140064	KUGELEJE BALL BEARING	BUTEE 230/250/270	1	1	1	1	1	1
02F	06280187	TOLERANCERING, 18X16X18 TOLERANCE RING, 18X16X18	LEHRRING ANNEAU DE TOLERANCE TE18X	1	1	1	1	1	1
02G	06181397	SKRÅSKIVE, 9,85 CAM DISC, 9,85	BOGENSCHEIBE DISQUE INCLINE			1	1		
02G	06181500	SKRÅSKIVE, 8,05 CAM DISC, 8,05	DISQUE INCLINE 2300-8.05#	1	1				
02G	06262238	SKRÅSKIVE 12 GR CAM DISC, 12,00	DISQUE INCLINE POUR 270				1	1	1
02H	06120268	O-RING, Ø74,00X2,00 O-RING, Ø74,00X2,00	O-RING JOINT TORIQUE DIAM 7,4 X	1	1	1	1	1	1
03	06262202	BLÆSERHUS KOMPL. IMPELLER HOUSING CPL.	CORPS SOUFFLANT 2300/2500	1	1	1	1	1	1
03A	06070879	SÆTSKRUE, M5X20 SET SCREW, M5X20	VIS D'ARRET, M5X20	1	1	1	1	1	1
03B	06230368	SPJÆLD FOR BLÆSERHUS DAMPER FOR IMPELLER HOUSING	CLEFOR P. CORPS DE SOUFFLANTE	1	1	1	1	1	1

Motor / Motor / Moteur

Pos.	Ref. no.	Betegnelse Description	Bezeichnung Description	2300 A	2302 A	2500 A	2502 A	2700 A	2702 A
03C	06070866	SKRUE, 3.5X12 SCREW, 3.5X12	SCHRAUBE VIS POUR 230/250	7	7	7	7	7	7
03D	06080084	MØTRIK, M5 NUT, M5	MUTTER, GALV. ECROU GALVANISE	1	1	1	1	1	1
03E	06070878	PLASTTITE, M5X20 PLASTTITE, M5X20	PLASTTITE, M5X20	4	4	4	4	4	4
03F	06230369	BLÆSERHUS OVERPART BURNER HOUSING UPPER PART	CORPS ROUE SOUFFLANTE2000	1	1	1	1	1	1
03G	06070163	UNBRACO SKRUE, M8X12 ALLEN SCREW, M8X12	IMBUSSBOLZEN VIS PIVOT 8 X 12	1	1	1	1	1	1
03H	06230372	BLÆSERHJUL, Ø146X52 IMPELLER WHEEL, Ø146X52	ROUE SOUFFL.4102/502/802	1	1	1	1	1	1
03I	06230370	BLÆSERHUS UNDERPART BURNER HOUSING UNDER PART	CORPS ROUE SOUFFLANTE2000	1	1	1	1	1	1
04	06262165	STEMPELSTYR, KPL., 23/2500 PISTON GUIDE, CPL., 23/2500	GUIDE PISTON	1	1	1	1	1	1
04	06262167	STEMPELSTYR, KPL., 2700 PISTON GUIDE, CPL., 2700	GUIDE PISTON G 2700					1	1
04A	06120268	O-RING, Ø74.00X2.00 O-RING, Ø74.00X2.00	O-RING JOINT TORIQUE DIAM 7,4 X	1	1	1	1	1	1
04B	06181467	STEMPELSTYR, 2000 PISTON GUIDE, 2000	GUIDE PISTON 2300/2500/	1	1	1	1	1	1
04C	06070452	UNBRACO SKRUE, M8X20 ALLEN SCREW, M8X20	IMBUSSBOLZEN, GALV. INTRAVIS 8X20 GALV. GALV.	4	4	4	4	4	4
04D	06120540	OLIETÆTNINGSRING, Ø14X22X7 OIL SEALING RING, Ø14X22X7	ØLDICHTUNGSRING JOINT D'HUILE14X22X7/6 14X22X7/6	3	3	3	3	3	3
04F	06120381	O-RING, 18.00X2.00 N70 O-RING, 18.00X2.00 N70	O-RING Ø18X2	1	1	1	1	1	1
04G	06181419	PROP. Ø24X12 PLUG, Ø24X12	BOUCHON 2300/2500/2700	1	1	1	1	1	1
04H	06211655	STEMPEL, KPL. PISTON, CPL.	KOLBEN PISTON	3	3	3	3		
04H	06211679	STEMPEL G-270 KPL. PISTON, CPL.	KOLBEN KPL. PISTON G 270					3	3
04I	06280194	TILHOLDERFJEDER PRESSURE SPRING	RESSORT D/PRESSION250/270	3	3	3	3	3	3
05	06110357	SPÆNDEBAND, Ø65/89 RETAINING RING, Ø65/89	FRETTE, □65/89	2	2	2	2	2	2
06	06110649	SUPERFLEX FOR OLIEFYR 70 X 380 SUPER TUBING FOR OIL BURNER, Ø70 X 380	TUYAU GO DIA70X 380MM	1	1	1	1	1	1
07	06260843	KIT FOR TRYKLEJE, JET/MINI-HOT KIT FOR THRUST BEARING, JET/MINI-HOT	BOGENSCHEIBELAGERKIT KIT P/PALIER BUTEE 2300/ 2500	1	1	1	1	1	1
07	06261984	KIT FOR TRYKLEJE KIT FOR THRUST BEARING, 270	KIT F. DRUCKLAGER KIT P/PALIER BUTEE P/2700					1	1

Motor / Motor / Moteur

Pos.	Ref. no.	Betegnelse Description	Bezeichnung Description	2300 A	2302 A	2500 A	2502 A	2700 A	2702 A
08	06262203	STEMPEL FOR OLIEPUMPE KPL PISTON FOR OIL PUMP CPL.	PISTON P/POMPE GAS OIL	1	1	1	1	1	1
08E	06120508	OLIETÆTNINGSRING, Ø6/Ø16/5 OIL SEALING RING, Ø6/Ø16/5	ANNEAU P/POMPE HUILE 2300	1	1	1	1	1	1
08J	06262241	STEMPEL FOR OLIEPUMPE PISTON FOR OIL PUMP	PISTON P/POMPE HUILE 2300	1	1	1	1	1	1
08K	06280196	TRYKFJEDER PRESSURE SPRING	RESSORT DE PRESSION	1	1	1	1	1	1

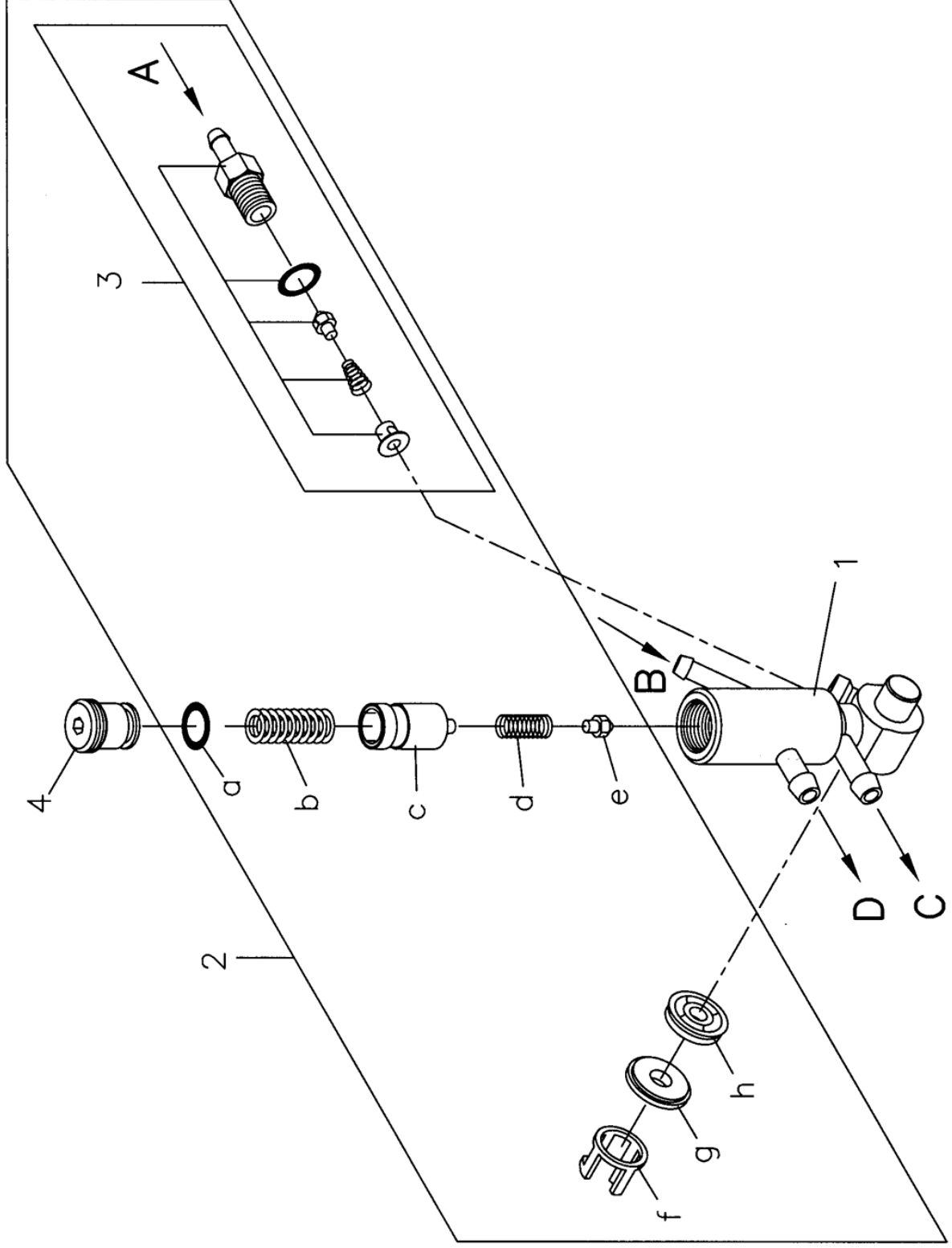


Pumpe / Pump / Pumpe / Pomp

Pos.	Ref. no.	Betegnelse Description	Bezeichnung Description	2300 A	2302 A	2500 A	2502 A	2700 A	2702 A
01	06262175	TOPSTYKKE, 2000 CYLINDER HEAD, 2000	CULASSE 2300A/2500A/2700A	1	1	1	1	1	1
01A	06262174	KIT FOR PUMPE KIT FOR PUMP	KIT POMPE 2300/2500/2700A	1	1	1	1	1	1
01B	06262173	KIT FOR MANCHET KIT FOR CUP	KIT COUPELLES 2300/2500/	1	1	1	1	1	1
01C	06262172	KIT FOR VENTIL, 2000 KIT FOR VALVE, 2000	KIT CLAPETS2300/2500/2700	1	1	1	1	1	1
01D	06181437	TOPSTYKKE CYLINDER HEAD	CULASSE, MODIFIEE	1	1	1	1	1	1
01E	06200460	RØRPROP, 1/8" PLUG FOR PIPE, 1/8"	ROHRPROPFFEN BOUCHON A VIS 1/8"	3	3	3	3	3	3
01F	06120446	O-RING, 7,66X1,78 70 O-RING, 7,66X1,78 70	O-RING JOINT TORIQUE	3	3	3	3	3	3
02	06262179	TRYKMANIFOLD, KPL., G2300 PRESSURE MANIFOLD, CPL., G2300	COLLECTEUR PRESSION 2300A	1	1				
02	06262180	TRYKMANIFOLD, KPL., G2500 PRESSURE MANIFOLD, CPL., G2500	COLLECTEUR PRESSION 2500A			1	1		
02	06262181	TRYKMANIFOLD, KPL., G2700 PRESSURE MANIFOLD, CPL., G2700	COLLECTEUR PRESSION 2700A					1	1
02A	06211647	FORSKRUNING SCREWED CONNECTION	PFROPFFEN RACCORD	1	1	1	1	1	1
02B	06211648	OMLØBSVENTIL, KPL. BY-PASS VALVE, CPL.	UMLAUFVENTILE BY-PASS	1	1	1	1	1	1
02C	06110494	SPÆNDEBAND, 10-12 RETAINING RING, 10-12	SCHLAUCHSCHELLE FRETTE	1	1	1	1	1	1
02D	06261484	KIT FOR KUGLEKONTRAVENTIL KIT FOR NON-RETURN VALVE	KIT F. RUECKSCHLAGVENTIL KIT VAN.ANTIRET.G300/400 BILLE	1	1	1	1	1	1
02E	06262267	AFGANGSSTUDES OUTLET SOCKET	RACCORD DE DEPART 2300/	1	1	1	1	1	1
02F	06211650	INJEKTORDYSE INJECTOR NOZZLE	INJEKTORDUESE GICLEUR D"INJECTEUR N 230	1	1				
02F	06211651	INJEKTORDYSE INJECTOR NOZZLE	INJEKTORDÜSE GICLEUR INJECTEUR			1	1		
02F	06211678	INJEKTORDYSE INJECTOR NOZZLE	INJEKTORDÜSE GICLEUR D"INJECTEUR NG270					1	1
02G	06262239	TRYKAFLASTNINGSVENTIL VALVE FOR PRESSURE RELIEF	VANNE ANTI RETOUR	1	1	1	1	1	1
02H	06181463	TRYKMANIFOLD PRESSURE MANIFOLD	COLLECTEUR PRESSION	1	1	1	1	1	1
02I	06070458	UNBRACO SKRUE, M5X16 ALLEN SCREW, M5X16	VIS 5 X 16	1	1	1	1	1	1
02J	06181472	LÅSERING, Ø12X10 LOCKING RING, Ø12X10	JOINT D'ARRET, □12X10	1	1	1	1	1	1

Pumpe / Pump / Pumpe / Pomp

Pos.	Ref. no.	Betegnelse Description	Bezeichnung Description	2300 A	2302 A	2500 A	2502 A	2700 A	2702 A
02K	06261739	KIT FOR JUSTERSKRUEEN - SUPERTRIN KIT FOR ADJUSTING SCREW - STEAM DEVICE	JUSTIERSCHRAUBE VIS	1	1	1	1	1	1
02L	06070863	UNBRACO SKRUE, M6X35 ALLEN SCREW, M6X35	INBUSSSCHLÜSSEL VIS A TETE CYLINDRIQUE	4	4	4	4	4	4
02M	06262170	KIT SUPERTRIN STEAM DEVICE KIT	KIT POUR ETAGE SUPER	1	1	1	1	1	1
03	06262171	KIT FOR SIKKERHEDSVENTIL, 2000 KIT FOR SAFETY VALVE, 2000	KIT VANNE SECURITE 2300/	1	1	1	1	1	1
04	06262168	MICROSWITCH MICRO SWITCH	MICRO INTERRUPTEUR	1	1	1	1	1	1
04A	06161046	KABEL FOR MICROSWITCH , 2X1.5 MM2 655 MM CABEL FOR MICRO SWITCH, 2X1.5 MM2 655 MM	CACHE CAOUTCHOUC	1	1	1	1	1	1
04B	06161007	MICROSWITCH MARQUARD MICRO SWITCH	MIKROSCHALTER MICRO CONTACTMARQUARD MARQUARD	1	1	1	1	1	1
04C	06200462	HUS FOR MICROSWITCH HOUSING FOR MICRO SWITCH	INTERRUPEUR	1	1	1	1	1	1
04D	06200471	STIFT, Ø3X22.5 PIN, Ø3X22.5	STIFT CHEVILLE NOIRE PA Ø3X22.5	1	1	1	1	1	1
04E	06200469	LÅSEBØJLE LOCK FITTINGS	SCHLOSS JOINT D'ARRÊT NOIR PA	1	1	1	1	1	1
04F	06280193	FJEDER, 0.9X10X12X5V SPRING, 0.9X10X12X5V	RESSORT	1	1	1	1	1	1
04G	06200463	UNDERSTØTNING SUPPORT	SUPPORT	1	1	1	1	1	1
05	06110646	KEMISLANGE, Ø7X330 DETERGENT HOSE, Ø7X330	TUYAU DE DETERGENT, □7X330	1	1	1	1	1	1
06	06110648	HØJTRYKSSLANGE HIGH PRESSURE HOSE	TUYAU	1	1	1	1	1	1
07	06200497	DREJKNAP SUPERTRIN ADJUSTING SWITCH STEAM DEVICE	BOUTON ETAGE VAP. 2300/5/7	1	1	1	1	1	1
08	06211653	MANOMETER, KPL. PRESSURE GAUGE, CPL.	MANOMETER MANOMETRE 2300/2500/2700	1	1	1	1	1	1
09	06181471	AFSTANDSRØR, 13X108 DISTANCE PIECE, 13X108	TUYAU D'ECARTEMENT, 13X108	1	1	1	1	1	1
10	06120446	O-RING, 7.66X1.78 70 O-RING, 7.66X1.78 70	O-RING JOINT TORIQUE	1	1	1	1	1	1
11	06070867	UNBRACO SKRUE, M8X130 ALLEN SCREW, M8X130	INBUSSSCHLÜSSEL VIS A TETE CYLINDRIQUE	4	4	4	4	4	4
12	06030494	VINKELSTUDS, 1/2" 3/4 ANGLE SOCKET, 1/2" 3/4	WINKELSTUTZEN, KUNSTSTOFF SECTION D'ANGLE PLASTIQUEGUE	1	1	1	1	1	1
13	06110111	SPÆNDEBÅND, 13-20 RETAINING RING, 13-20	SCHLAUCHSCHELLE FRETTE	1	1	1	1	1	1
14	06120554	SUGESLANGE SUCTION HOSE	TUYAU D'ASPIRATION	1	1	1	1	1	1



Oliepumpe / Oil pump / Ölpumpen / Pomp d'hule

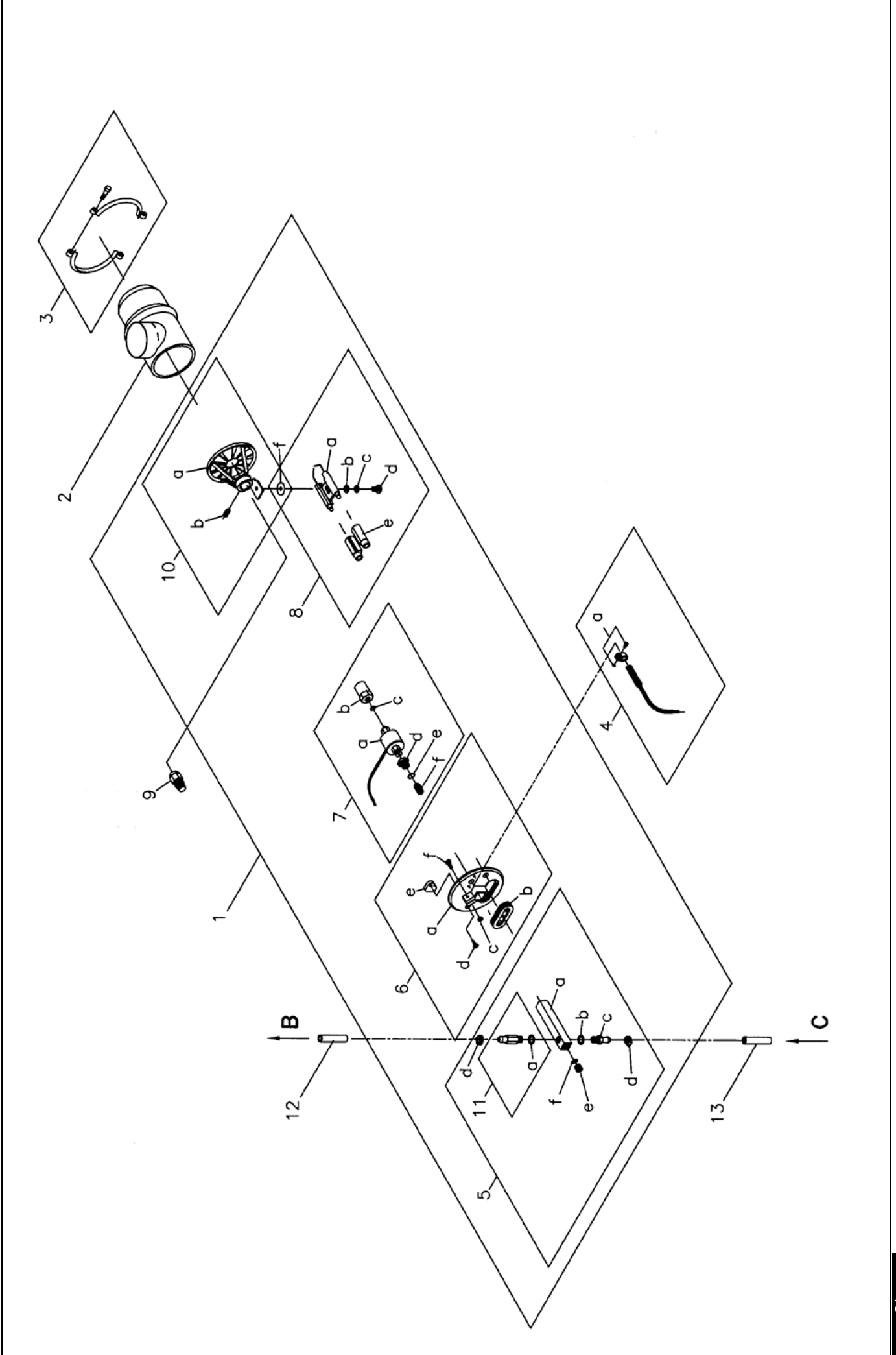
Pos.	Ref. no.	Betegnelse Description	Bezeichnung Description	2300 A	2302 A	2500 A	2502 A	2700 A	2702 A
0	06262178	OLIEPUMPE, KPL., G2000 OIL PUMP, CPL., G2000	POMP D"HUILE, CPL., G2000	1	1	1	1	1	1
01	06181469	OLIEPUMPE, 190481 OIL PUMP, 190481	POMPE GAS OIL2300/500/700	1	1	1	1	1	1
02	06262177	SERVICEKIT FOR OLIEPUMPE, G2000 SERVICE KIT FOR OIL PUMP, G2000	KIT POMPE HUILE 2300/2500	1	1	1	1	1	1
02A	06120411	O-RING, 8,73X1,78 O-RING, 8,73X1,78	O-RING JOINT TORIQUE	1	1	1	1	1	1
02B	06280162	FJEDER, Ø9XØ5,6X23 SPRING, Ø9XØ5,6X23	RESSORT, □9X□5,6X23	1	1	1	1	1	1
02C	06181456	STEMPEL FOR OLIEPUMPE, Ø11,95X26 PISTON FOR OIL PUMP, Ø11,95X26	PISTON P. POMP D"HUILE, □11,95X26	1	1	1	1	1	1
02D	06280197	TRYKFJEDER PRESSURE SPRING	RESSORT DE PRESSION	1	1	1	1	1	1
02E	06190456	VENTILKEGLE VALVE CONE	VENTILKEGEL OELPUMPE CONE DE VANNIE POMPE D"HUI	1	1	1	1	1	1
02F	06181480	AFSTANDSSTYKKE DISTANCE PIECE	ENTRETOISE 2300/2500/2700	1	1	1	1	1	1
02G	06181468	RING, Ø18X2,5 RING, Ø18X2,5	ANNEAU 18X2.5-2300/2500	1	1	1	1	1	1
02H	06120507	MANCHET, Ø6/Ø15/3,5 FKM CUP, Ø6/Ø15/3,5 FKM	COUPELLE, □6/□15/3,5 FKM	1	1	1	1	1	1
03	06261537	SUGESTUDS OLIEPUMPE KPL. SUCTION SOCKET OIL PUMP	SAUGSTUTZEN OELPUMPE RAC.ASPI.POMPE GAS-OIL CPE A GAS-OIL CPL	1	1	1	1	1	1
04	06181063	JUSTERSKRUE, M14X16,5 ADJUSTING SCREW, M14X16,5	JUSTIERSCHRAUBE OELMESSSTAB VIS DE REGLAGE BOUCHON G-4000	1	1	1	1	1	1

Kedel / Boiler / Kessel / Chaudière

Pos.	Ref. no.	Betegnelse Description	Bezeichnung Description	2300 A	2302 A	2500 A	2502 A	2700 A	2702 A
01	06262183	SVØMMERVENTIL KPL., G2000 FLOAT VALVE CPL., G2000	VANNE FLOTTEUR 2300/2500/ SCHWIMMerventil EINSCHL. MUTTER + DICHT. VANNE FLOTTEUR G-4000S ECS ECROU+JOINT	1	1	1	1	1	1
01A	06100347	SVØMMER KPL. FLOAT VALVE CPL.		1	1	1	1	1	1
01B	06120475	SVAMP FOR SVØMMER SPONGE FOR FLOAT	SCHWAMM F. SCHWIMMER EPOGNE P. FLOTTEUR	1	1	1	1	1	1
01C	06262218	PAKNING FOR SVØMMER GASKET FOR FLOAT VALVE	JOINT POUR FLOTTEUR	1	1	1	1	1	1
01E	06100390	VANDFILTER WATER FILTER	FILTRE D'EAU	1	1	1	1	1	1
02	06262219	KEDEL KPL. M. SKORSTEN, G2000 BOILER CPL. W CHIMNEY, G2000	CHAUDIERE CPL. DE CHEMINEE, G2000	1	1	1	1	1	1
02A	06061431	SKORSTEN CHIMNEY	CHEMIN?E	1	1	1	1	1	1
02B	06110511	SPÆNDEBESLAG, Ø.270 FITTINGS, Ø.270	BESCHLAG CERCLE D'ASSEMBL.CHAUDIER	1	1	1	1	1	1
02C	06070809	SKRUE, 4X40 SCREW, 4X40	SCHRAUBE VIS	1	1	1	1	1	1
02D	06120543	PROP PLUG	CAPUCHON EN CAOUTCHOUC DIA.25	2	2	2	2	2	2
02E	06211547	LAG FOR KEDEL COVER FOR BOILER	DECKEL F. KESSEL COUVERCLE	1	1	1	1	1	1
02F	06100355	FILTER F.RENGØRINGSMIDDEL FILTER FOR DETERGENT	FILTER F. REINIGUNGSMITTEL FILTRE G-4000	1	1	1	1	1	1
02G	06110647	KEMISLANGE, Ø6X1900 MM DETERGENT HOSE, Ø6X1900 MM	TUYAU DE DETERGENT, □6X1900 MM	1	1	1	1	1	1
02H	06262243	GENNEMFØRING GROMMET	TRAVERSEE	1	1	1	1	1	1
04	06262182	KEDEL M. VARMEPLADE, G2000 BOILER WITH BOTTOM, G2000	FOND DE CHAUDIERE, G2000	1	1	1	1	1	1
04A	06061432	VARMEPLADE, 625X300X0.5 HEATING PLATE, 625X300X0.5	PLAQUE DE CHAUFFAGE, 625X300X0.5	1	1	1	1	1	1
04B	06120111	PAKDASE, C 5-7 STUFFING BOX, C 5-7	STOPFBUCHSE PRESSE-ETOUPE CAOUTCHOUC	1	1	1	1	1	1
06	06262184	SPIRAL, 7-L 2000 FIBER HEATING COIL, 7-L 2000 FIBER	SERPENTIN 2300/2500/2700	1	1	1	1	1	1
06A	06120423	FIBERRONDEL, Ø25X16 INSULATION, Ø25X16	RUNDTIL ISOLATION CHAUDIERE G-300	1	1	1	1	1	1
07	06262209	NIVEAUFØLER LEVEL CONTROL	JAUGE DE NIVEAU D'EAU	1	1	1	1	1	1
08	06170264	OVERKOGSTERMOSTST PRIMING THERMOSTAT	ÜBERHIZUNGSTHERMOSTST SONDE DE SURCHAUFFE	1	1	1	1	1	1
08	06262207	OVERKOGSTERMOSTAT, G2000 PRIMING THERMOSTAT, G2000	THERMOSTAT DE PRIMAGE, G2000	1	1	1	1	1	1

Kedel / Boiler / Kessel / Chaudière

Pos.	Ref. no.	Betegnelse Description	Bezeichnung Description	2300 A	2302 A	2500 A	2502 A	2700 A	2702 A
09	06262193	KEDEL KPL., G2000 BOILER CPL., G2000	CHAUDIÈRE CPL., G2000	1	1	1	1	1	1
09A	06110511	SPÆNDEBESLAG, Ø.270 FITTINGS, Ø.270	BESCHLAG CERCLE D'ASSEMBL.CHAUDIÈRE	1	1	1	1	1	1
09B	06070801	UNBRACO SKRUE, M6X35 ALLEN SCREW, M6X35	IMBUSS TÊTE CYLINDRIQUE	1	1	1	1	1	1
09C	06061212	BUND FOR KEDEL, Ø280X1,0 BOTTOM FOR BOILER, Ø280X1,0	BODEN F. KESSEL FOND DE CHAUDIÈRE G-4000	1	1	1	1	1	1
09D	06181129	MØTRIK, 36X8 NUT, 36X8	GEGENMUTTER ECROU G-3000	2	1	2	1	2	1
09E	06181568				1		1		1
10	06181479	TILGANGSSTUDS, 29X95 INLET SOCKET, 29X95	RACCORD D'ENTRÉE	1	1	1	1	1	1



Oliefyr / Oilburner / Ölbrenner / Brulerur

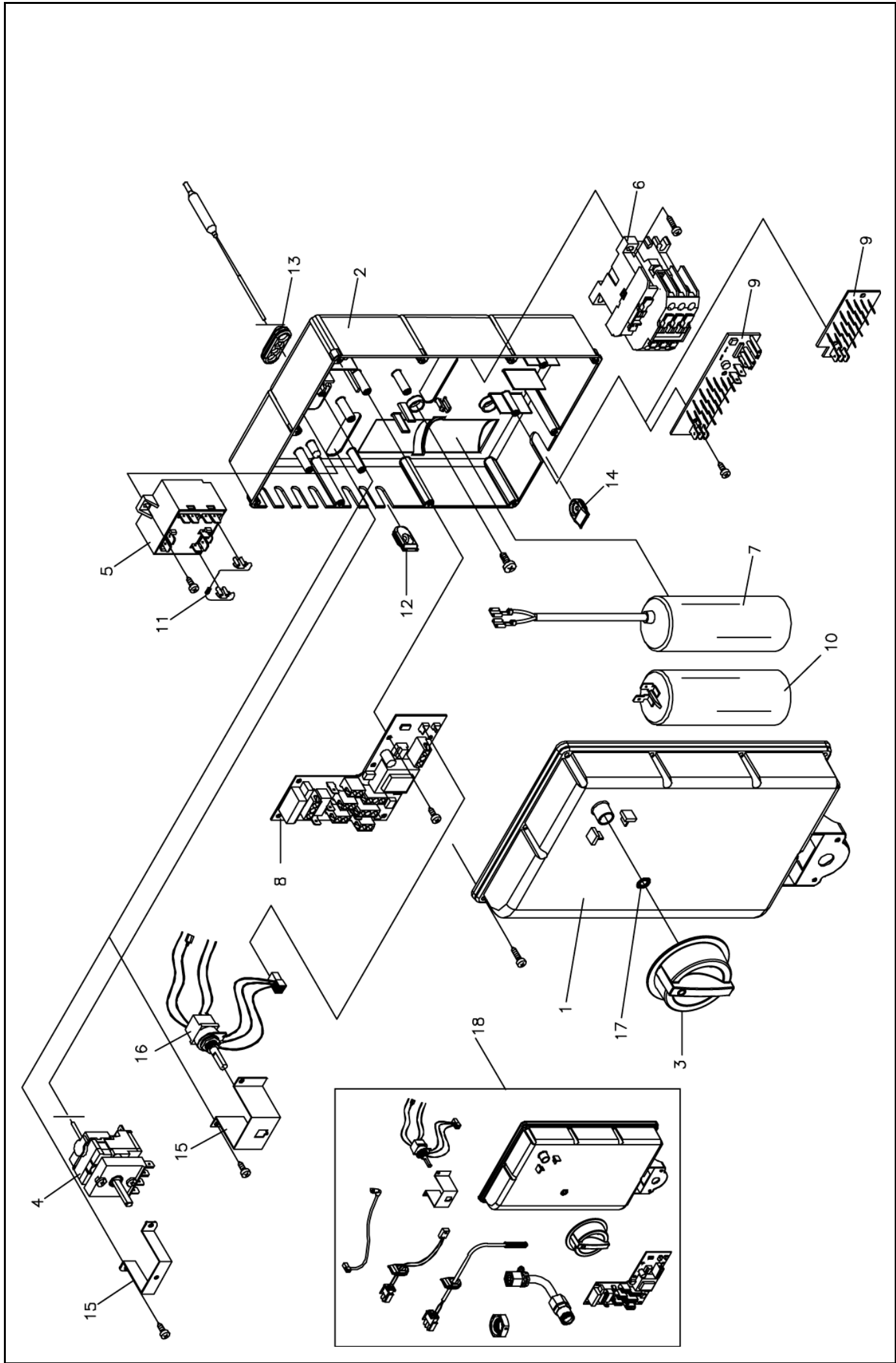
Pos.	Ref. no.	Betegnelse Description	Bezeichnung Description	2300 A	2302 A	2500 A	2502 A	2700 A	2702 A
01	06262192	BRÆNDER, 230V BURNER, 230V	CORPS, 230V	1		1		1	
02	06230314	BRÆNDERHUS BURNER HOUSING	BRENNERGEHAUSE CORPS DE COMBUSTIBLE					1	1
02	06230341	BRJNDERR°R KPL., G3000 BURNER PIPE,CPL., G3000	BRENNERROHR TUYAU COMBUSTIBLE CPL. G-3000	1	1	1	1		
03	06261438	SPÆNDEBESLAG FITTINGS	ARMATURE DE SERRAGE	1	1	1	1	1	1
04	06262185	FOTOCELLE, G2000 PHOTOCELL, G2000	CELLULE PHOTOELECTRIQUE	1	1	1	1	1	1
04A	06230330	SPÆNDERING RETAINING RING	SCHLAUCHSCHELLE F. PHOTOZELLE ANNEAU DE SERRAGE	1	1	1	1	1	1
05	06262217	DYSERØR KPL NOZZLE PIPE CPL.	TUBE DE GICLEUR CPL.	1	1	1	1	1	1
05A	06181108	DYSERØR, 15X15X95 NOZZLE PIPE, 15X15X95	DUESEROHR TUBE INJECTEUR FUEL	1	1	1	1	1	1
05B	06120325	KOBBERPAKNING, 10/13.5 COPPER GASKET, 10/13.5	KUPFERDICHTUNG JOINT	1	1	1	1	1	1
05C	06181197	UDLUFTINGSSTUDES SOCKET FOR AIR ESCAPE COCK	RACCORD DE PURGE	1	1	1	1	1	1
05D	06110677	SPÆNDEBAND, Ø12 RETAINING RING, Ø12	FRETTE, □12	2	2	2	2	2	2
05E	06181061	PROP, 1/8"RGX8 PLUG, 1/8"RGX8	PFRÖPFEN F. OELMESSTAB CAPUCHON	1	1	1	1	1	1
05F	06120087	O-RING, 5.28X1,78 O-RING, 5.28X1,78	O-RING JOINT TORIQUE	1	1	1	1	1	1
06	06262190	DÆKSEL COVER	COUVERTURE CPL. BRULEUR	1	1	1	1	1	1
06A	06200335	DÆKSEL FOR BRÆNDERHUS, 3000/4000 COVER FOR BURNER HOUSING, 3000/4000	DECKEL F. BRENNERGEHAUSE COUVERCLE P.CORPS DEBUSTIBUSTIBLE	1	1	1	1	1	1
06B	06200357	GUMMIGENNEMFØRING RUBBER GROMMET	GUMMIDURCHFUEHRUNG JOINT	1	1	1	1	1	1
06C	06080056	MØTRIK, M4 NUT, M4	MUTTER, GALV. ECROU	1	1	1	1	1	1
06D	06070810	SKRUE, 4.8X19 SCREW, 4.8X19	SCHRAUBE VIS POUR BUTEE G-4500	2	2	2	2	2	2
06E	06200360	LÅSEPAL FOR DÆKSEL LOCKING PAWL	SCHLISSSCHALTKLINKE F. DECKEL BUTEE DE CANNE DE BRULEURCLE	1	1	1	1	1	1
06F	06070341	SKRUE, 4X16 SCREW, 4X16	SCHRAUBE P/K, GALV. VIS	1	1	1	1	1	1
07	06262189	MAGNETVENTIL. KPL., 230V SOLENOID VALVE. CPL., 230V	VANNE MAGNETIQUE CPL 2000	1	1	1	1	1	1
07	06262244	MAGNETVENTIL. KPL., 200V SOLENOID VALVE. CPL., 200V	VANNE MAGNETIQUE. CPL., 200V			1	1	1	1

Oliefyr / Oilburner / Ölbrenner / Brulerur

Pos.	Ref. no.	Betegnelse Description	Bezeichnung Description	2300 A	2302 A	2500 A	2502 A	2700 A	2702 A
07A	06262240	MAGNETVENTIL, 230V SOLENOID VALVE, 230V	VANNE MAGNETIQUE, 230V	1	1	1	1	1	1
07A	06262245	MAGNETVENTIL, 200V 110V SOLENOID VALVE; 200V 110V	VANNE MAGNETIQUE, 200V 110V			1	1	1	1
07B	06181107	DYSEHOLDER, 19X30 NOZZLE HOLDER, 19X30	DUESEHALTER SUPPORT GICLEUR	1	1	1	1	1	1
07C	06120265	O-RING, 7X1.5 O-RING, 7X1.5	O-RING JOINT	1	1	1	1	1	1
07D	06181221	FORSKRUNING, 17X12 SCREWED CONNECTION, 17X12	RACCORD A VIS, 17X12	1	1	1	1	1	1
07E	06120383	O-RING, 11X1.5 O-RING, 11X1.5	O-RING JOINT TORIQUE G-4000	1	1	1	1	1	1
07F	06090177	DYSEFILTER, 1/4" NOZZLE FILTER, 1/4"	DUESENFILTER FILTRE POUR GICLEUR 0 12680 12687	1	1	1	1	1	1
08	06262188	TÆNDELEKTRODE IGNITION ELECTRODE	KIT ELECTRODE 2300/2500/27	1	1	1	1	1	1
08A	06230336	TÆNDELEKTRODE IGNITION ELECTRODE	ZUENDELEKTRODE ELECTRODE D'ALLUMAGE	1	1	1	1	1	1
08B	06080087	SPÆNDESKIVE, M8 TENSION DISC, M8	SCHEIBE, GALV. DISQUE	1	1	1	1	1	1
08C	06080162	FJEDERSKIVE, M5 SPRING WASHER, M5	FEDERSKIBE DISQUE	1	1	1	1	1	1
08D	06070344	SKRUE, 5X12 SCREW, 5X12	SCHRAUBE, P/K, GALV. VIS T/L GALV.	1	1	1	1	1	1
08E	06120557	GUMMIHÆTTE RUBBER CAP	CAPUCHON CAOUT.SERIE 4002	1	1	1	1	1	1
08F	06080212	UNDERLAGSSKIVE, Ø20XØ5X0.5 WASHER, Ø20XØ5X0.5	BOLZENSCHIBE RONDELLE	1	1	1	1	1	1
09	06230291	OLIEDYSE 1,10 GALL OIL NOZZLE, 1,10 GALL 3,6 KG 80GR-H	OELDUESE GICLEUR D"HUILE 1,10 G G1.				1	1	1
09	06230325	OLIEDYSE, 0,85 GALL. 2,8 KG 80GR-H OIL NOZZLE, 0,85 GALL. 2,8 KG 80GR-H	GICLEUR FUEL 0.85 GAL0.30			1	1		
09	06230360	OLIEDYSE, 0,55 GALL. 80H OIL NOZZLE; 0,55 GALL. 80H	OELDUESE GICLEUR D"HUILE 0.55 GALL 80H			1			
09	06230373	OLIEDYSE, 0,65 GALL 80GR-H OIL NOZZLE, 0,65 GALL 80GR-H	GICLEUR FUEL 0.65/GAL 80	1	1	1	1	1	1
10	06262187	BLANDESKIVE MIXING DISC	DISQUE DE MELANGE G2000	1	1	1	1	1	1
10A	06230331	BLANDESKIVE MIXING DISC	LUFTMISCHSCHIBE DISQUE D'EMULSION G-3000/	1	1	1	1	1	1
10B	06070047	UNBRACO PINOLSKRUE, M6X6 ALLEN POINTED SCREW, M6X6	IMBUSSREITSTOCKSCHRAUBE VISQUE	1	1	1	1	1	1
11	06262191	UDLUFNINGSSSTUDBS, G2000 SOCKET FOR AIR ESCAPE COCK, G2000	RACCORD DE PURGE, G2000	1	1	1	1	1	1

Oliefyr / Oilburner / Ölbrenner / Brulerur

Pos.	Ref. no.	Betegnelse Description	Bezeichnung Description	2300 A	2302 A	2500 A	2502 A	2700 A	2702 A
11A	06120325	KOBBERPAKNING, 10/13,5 COPPER GASKET, 10/13,5	KUPFERDICHTUNG JOINT	1	1	1	1	1	1
12	06110653	OLIESLANGE, Ø6XØ9X650 OIL HOSE, Ø6XØ9X650	TYUA D"HUILE , □6X□9X650	1	1	1	1	1	1
13	06110652	SLANGE, 1/4"X350 MM HOSE, 1/4"X350 MM	TUYAU GO 650MM	1	1	1	1	1	1

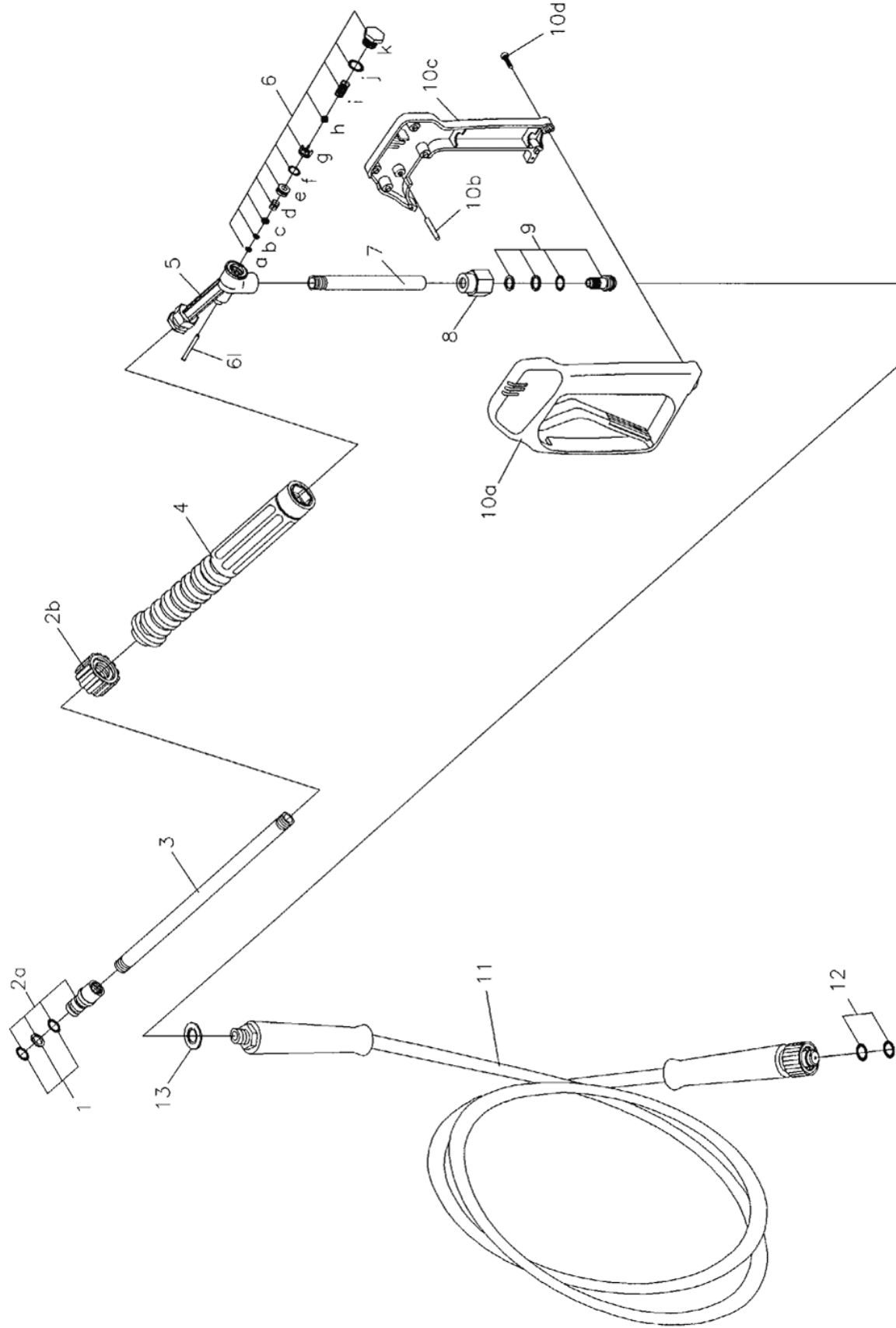


El-komponenter / Electric components / Elektrische komponente / Composantes électrique

Pos.	Ref. no.	Betegnelse Description	Bezeichnung Description	2300 A	2302 A	2500 A	2502 A	2700 A	2702 A
01	06200493	ELKASSELÖG COVER FOR ELECTRIC BOX	COUVERCL-BOITE ELECT2300/	1	1	1	1	1	1
02	06200492	ELKASSEBUND, 2000 BOTTOM FOR ELECTRIC BOX, 2000	FOND BOITE ELECTRIQUE2300	1	1	1	1	1	1
03	06200495	DREJEKNAP START/STOP ADJUSTING SWITCH ON/OFF	BOULTON MARCHE/ARRET	1	1	1	1	1	1
04	06170247	TERMOSTAT, 0-140°C THERMOSTAT, 0-140°C	THERMOSTAT	1	1	1	1	1	1
05	06262054	STARTRELÆ, 1X230V-50HZ - (10A) STARTING RELAY, 1X230V-50HZ - (10A)	RELAIS DE MISE EN MARCHÉ	1	1				
05	06262055	STARTRELÆ, 1X230V-60HZ STARTING RELAY, 1X230V-60HZ	RELAIS DE DEMARRAGE, 1X230V-60HZ			1	1		
06	06160508	KONTAKTOR 12A 24V/50-60HZ CONTACTOR, 12A 24V/50-60HZ 230V	SCHUETZ CONTACTEUR 220V POUR PONY	1	1	1	1		
06	06160824	KONTAKTOR, 12A 3X400/415V-50HZ CONTACTOR, 12A 3X400/415V-50HZ	SCHUETZ CONTACTEUR PONY 30					1	1
07	06270325	DRIFTSKONDENSATOR 32YF WORKING CAPACITOR, 1X230V-50HZ-(10A)	BETRIEBSKONDENSATOR CONDENSATEUR	1	1				
07	06270326	DRIFTSKONDENSATOR, 50YF WORKING CAPACITOR, 50MF450-50	BETRIEBSKONDENSATOR CONDENSATEUR	1	1				
08	06170258	PRINT, G2002 200-230V PRINT, G2002 200-230V	CARTE ELECTRO.SERIE2002A		1		1		1
08	06170272				1				
09	06170253	TERMINAL TIL EL-KASSE, G2000 TERMINAL FOR ELECTRIC BOX, G2000	TERMINAL P/BOITE ELECTRIQ	1	1	1	1	1	1
09	06170262	FASE KONTROL PRINT, G2000 PHASE SEQUENCE CONTROL PRINT, G2000	PHASE SEQUENCE CONTROL PRINT, G2000						1
10	06270341	DRIFTSKONDENSATOR, 55MFOR 450-55 WORKING CAPACITOR, 55MFOR 450-55	ANLASSKONDENSATOR CONDENSATEURARCHE ARCHE	1	1	1	1		
11	06270330	MODSTAND, 33 KOHM 1W RESISTANCE, 33 KOHM 1W	R-SISTANCE P. EQUIPEMENT	1	1	1	1		
12	06120561	GUMMIGENNEMFØRING RUBBER GROMMET	TRAVERSEE CAOUTCHOUC2300/	1	1	1	1	1	1
13	06120558	GUMMIGENNEMFØRING RUBBER GROMMET	TRAVERSEE CAOUTCHOUC2300/	1	1	1	1	1	1
14	06120562	GUMMIGENNEMFØRING RUBBER GROMMET	TRAVERSEE CAOUTCHOUC2300/	1	1	1	1	1	1
15	06061418	SPÆNDEBESLAG FITTINGS	ARMATURE DE SERRAGE 2300	1		1	1	1	
15	06061490				1		1		1
16	06170261	AFBRYDER/POT.METER, 2302/2502/2702 SWITCH/POT.M., 2302/2502/2702	POTENTIOMETRE2302/502/702		1		1		1

El-komponenter / Electric components / Elektrische komponente / Composantes électrique

Pos.	Ref. no.	Betegnelse Description	Bezeichnung Description	2300 A	2302 A	2500 A	2502 A	2700 A	2702 A
17	06120579	O-RING Ø6,0X3,0 O-RING Ø6,0X3,0	O-RING Ø6,0X3,0 JOINT TORIQUE Ø6,0X3,0		1		1		1
18	06262385	KIT FOR STYRING , 2000 KIT FOR RELAY , 2000	SYST.PHOTO CELLULE G2000A	1		1		1	



Pistol / Pistole / Pistole / Pistolet

Pos.	Ref. no.	Betegnelse Description	Bezeichnung Description	2300 A	2302 A	2500 A	2502 A	2700 A	2702 A
0	06290057	PISTOL - ST 1100 - LANG MED SWIVEL, 22 MM KOBLING PISTOL - ST 1100-LONG W. SWIVEL, 22 MM COUP.	PISTOLE PISTOLET	1	1	1	1	1	1
01	06261547	PAKNINGSKIT F. SKRUEKOB. GASKET KIT FOR SCREW COUPLING	SCHRAUBKUPPLUNG KIT P. JOINTS TORIQUES RACC.A.VIS	1	1	1	1	1	1
02	06290062	SKRUEKOBLING SCREW COUPLING	SCHRAUBENKUPPLUNG RACCORD A VIS	1	1	1	1	1	1
03	06290066	FORRØR FOR PISTOL FRONT PIPE FOR PISTOL	VORDERROHR F. PISTOLE TUBE PISTOLET	1	1	1	1	1	1
04	06290067	KAPPE CAP	ABDECKUNG F. PISTOLE PROTECTION P/PISTOL.290057	1	1	1	1	1	1
05	06290068	PISTOLKROP PISTOL HOUSING	GEHÄUSE F. PISTOLE CORPS DE PISTOLET	1	1	1	1	1	1
06	06261926	SERVICEKIT FOR PISTOL SERVICE KIT FOR PISTOL	SERVUCEKIT F. PISTOLE KIT DE SERVICE POUR	1	1	1	1	1	1
07	06290069	TILGANGSRØR INLET PIPE	EINLASSROHR F. PISTOLE TUYAU D ENTREE G230/250/	1	1	1	1	1	1
08	06290070	DREJELED SWIVEL	DREHGELENK RACCORD PISTOLET POUR	1	1	1	1	1	1
09	06290061	PAKNINGSKIT FOR DREJELED GASKET KIT FOR SWIVEL	SERVUCEKIT F. DREHGELENK KIT JOINT RACCORD	1	1	1	1	1	1
10	06290063	PISTOLHANDTAG, KPL. PISTOL HANDLE, CPL.	PISTOLENGEHÄUSE POIGNEE DU PISTOL.290057	1	1	1	1	1	1
11	06110636	HØJTRYKSSLANGE, DN8X10M HIGH PRESSURE HOSE, DN8X10M	FLEXIBLE HP10M=110475 2300/0	1	1	1	1	1	1
12	06260936	PAKNINGSKIT F. SKRUEKOB. GASKET KIT FOR SCREW COUPLING	DICHUNGSKIT F. SCHRAUBENKUPPLUNG KIT JOINT RACCORD VIS VIS	1	1	1	1	1	1
13	06120385	USITRING, 24X16,7X1,5 USIT RING, 24X16,7X1,5	USITRING JOINT D'ETANCHEITE G-4000	1	1	1	1	1	1

Lanser / Lances / Lanzen / Lance

Pos.	Ref. no.	Betegnelse Description	Bezeichnung Description	2300 A	2302 A	2500 A	2502 A	2700 A	2702 A
01	06260232	HANDTAGSKIT F. SPULERØR HANDLE KIT	HANDGRIFFKIT F. DOPPELLANZE KIT SERVICE AVEC POIGNEENNE DOUBLE	1	1	1	1	1	1
02	06070479	SKRUE, 4X20 SCREW, 4X20	SCHNEIDSCHRAUBE, SCHWARZZINK VIS	3	3	3	3	3	3
03	06200097	PYNTEDÆKSEL F. VENTILHUS COVER F. VALVE HOUSING	STAUWKAPPE F. VENTILGEHAE COUVERCLEOR. D. VAN OR. D. VAN	1	1	1	1	1	1
04	06260860	VENTILSPINDEL KIT VALVE SPINDLE KIT	VENTILSPINDELKIT F. DRUCKREGELUNG KIT REGLAGE PRESSION DOUBLE. PRES.	1	1	1	1	1	1
04C	06120006	O-RING, 6,75X1,78 O-RING, 6,75X1,78	O-RING JOINT TORIQUE MAT 4470	1	1	1	1	1	1
04D	06120010	O-RING, 13,1X1,6 O-RING, 13,1X1,6	O-RING JOINT TORIQUE MAT 4470	1	1	1	1	1	1
04E	06190245	MØTRIK NUT	MUTTER F. VENTIL ECROU POUR VANNE DOUB.LAN	1	1	1	1	1	1
05	06211078	VENTILHUS VALVE HOUSING	VENTILGEHAEUSE, KPL. CULASSE LANCE DOUBLE ET	1	1	1	1	1	1
06	06120188	O-RING, 10X2 O-RING, 10X2	O-RING JOINT TORIQUE	1	1	1	1	1	1
07	06030484	SKRUEKOBLING 1/4 UDV. SCREW COUPLING ROTATABLE, 1/4"	SCHR.KUPPLUNG DREHBAR F.DOPPELLANZE ACCOUPL. VIS TOURNANT DBL LANCE DOUBLE	1	1	1	1	1	1
08	06100332	FILTER FOR TURBO LASER FILTER FOR TURBO LASER	FILTER F. TURBO LASER M. O-RING FILTRE TURBO LASER	1	1	1	1	1	1
08A	06120139	O-RING, 10X1 O-RING, 10X1	O-RING JOINT SPY JET	1	1	1	1	1	1
09	06030527	BRYSTNIPPEL, 8X1/4" BREAST NIPPLE, 8X1/4"	GEWINDESTUECK RACCORD	1	1	1	1	1	1
0A	06261874	TURBO LASER M/ TRYKREG. - SKRUE - 600 MM, 3.5 TURBO LASER W. PRES. REG. - SCREW - 600 MM, 3.5	TURBO LASER TURBO-LASER 600MM			1	1		
0A	06261883	TURBO LASER M/ TRYKREG. - SKRUE - 600 MM, 3.0 TURBO LASER W. PRES. REG. - SCREW - 600 MM, 3.0	TURBO LASER LANCE REGLABLE TURBO	1	1				
0A	06261961	TURBO LASER M/ TRYKREG. - SKRUE - 600 MM, 4.0+ TURBO LASER W. PRES. REG. - SCREW - 600 MM, 4.0+	TURBO LASER TURBO LASER N/G 270				1		1
0B	06260758	DOBBELT SPULERØR 600MM EXCL.TRYKDYSE DOUBLE LANCE - PRES. REG. - SCREW -600 MM,	DOPPELLANZE DOUBLE LANCE 600MM	1	1	1	1	1	1
0C	06260382	ENKELT SPULERØR 600 MM SINGLE LANCE - SCREW - 600 MM, EXCL.NOZ	EINZELLANZE LANCE SIMPLE 600 MM	1	1	1	1	1	1
0D	06261957	SPECTRUM 600MM U/TRYKDYSE SPECTRUM W. PRES. REG. - SCREW - 600 MM,	SPECTRUM OHNE DÜSE - 600 MM SPECTRUM SANS GICLEUR - 600 MM	1	1	1	1	1	1
0D	06262153	SPECTRUM M/ TRYKREG. - SKRUE - 600 MM, 130 SPECTRUM W. PRES. REG. - SCREW - 650 MM, 130	LANCE SPECTRUM 600MM/2300	1	1				
0D	06262154	SPECTRUM M/ TRYKREG. - SKRUE - 600 MM, 135 SPECTRUM W. PRES. REG. - SCREW - 650 MM, 135	LANCE SPECTRUM 2502A R/VIS			1	1		
0D	06262155	SPECTRUM M/ TRYKREG. - SKRUE - 600 MM, 140 SPECTRUM W. PRES. REG. - SCREW - 650 MM, 140	LANCE SPECTRUM G2700					1	1

Lanser / Lances / Lanzen / Lance

Pos.	Ref. no.	Bezeichnung Description	2300 A	2302 A	2500 A	2502 A	2700 A	2702 A
0E	06262110	ROTO JET M/ SKRUE, 600 MM, 3.5 ROTO JET - SCREW - 600 MM, 3.5	1	1				
0E	06262111	ROTO JET LANCE 040 600MM ROTO JET - SCREW - 600 MM, 4.0			1	1	1	1
10	06050841	SPULERØR LIGE, Ø13X1,5X886 LANCE STRAIGHT, Ø13X1,5X886	1	1	1	1	1	1
11	06050842	KEMIRØR 15 GR. BUK , Ø8X1X622 DETERGENT PIPE 15 DEG., Ø8X1X622	1	1	1	1	1	1
12	06261130	BESLAG FOR TURBO LASER FITTINGS FOR TURBO LASER	1	1	1	1	1	1
13	06261246	SLANGE FOR FLOWSTYRING HOSE FOR FLOW CONTROL	1	1	1	1	1	1
14	06261875	TURBO LASER KIT, 3.5 TURBO LASER KIT, 3.5			1	1		
14	06261884	TURBO LASER KIT (230/240V), 3.0 TURBO LASER KIT (230/240V), 3.0	1	1				
14	06261963	TURBO LASER KIT, 4.0+ TURBO LASER KIT, 4.0+			1	1	1	1
14A	06120544	O-RING, 36.0X1,78 O-RING, 36.0X1,78	1	1	1	1	1	1
14F	06120282	O-RING, 14X1,78 O-RING, 14X1,78	1	1	1	1	1	1
14H	06180533	DYSE, Ø10X12 NOZZLE, Ø10X12	1	1	1	1	1	1
15	06180936	LAG FOR TURBO LASER COVER FOR TURBO LASER	1	1	1	1	1	1
16	06090233	DYSE HÆRDET 1/4-1504 FLAT JET NOZZLE 15°, 4					1	1
16	06090234	DYSE HÆRDET 1/4-1503.5 FLAT JET NOZZLE 15°, 3.5			1	1		
16	06090289	DYSE HÆRDET 1/4-1503 FLAT JET NOZZLE 15°, 3	1	1				
17	06180780	DYSEHOLDER, 17X20 NOZZLE HOLDER, 17X20	1	1	1	1	1	1
18	06180779	KEMIDYSE, Ø10X22 DETERGENT NOZZLE, Ø10X22	1	1	1	1	1	1
19	06180781	DYSEHOLDER FOR KEMI, 17X20 NOZZLE HOLDER FOR DETERGENTS, 17X20	1	1	1	1	1	1
20	06200226	DYSEBESKYTTER NOZZLE PROTECTION, PLASTIC	2	2	2	2	2	2
21	06070497	SKRUE, 5X22 SCREW, 5X22	1	1	1	1	1	1
22	06080123	MØTRIK, M5 NUT, M5	1	1	1	1	1	1

Lanser / Lances / Lanzen / Lance

Pos.	Ref. no.	Betegnelse Description	Bezeichnung Description	2300 A	2302 A	2500 A	2502 A	2700 A	2702 A
23	06050941	KEMI-RØR, RUSTFRI, Ø13X1,5X591 DETERGENT PIPE, STAINLESS, Ø13X1,5X591	DOPPELLANZE TUBE DE LANCE BP	1	1	1	1	1	1
24	06050940	SPULERØR, RUSTFRI, Ø13X1,5X596 LANCE, STAINLESS, Ø13X1,5X596	DOPPELLANZE TUBE DE LANCE HP	1	1	1	1	1	1
25	06260537	BESLAG F. DOBB. SPULERØR FITTINGS FOR DOUBLE LANCE	BESCHLAG F/DOPPELLANZE TURBO ENTRETOISE LANCE TURBO TE TURBO	1	1	1	1	1	1
26	06181232	DYSEHOLDER FOR KEMI, Ø18X26 NOZZLE HOLDER FOR DETERGENTS, Ø18X26	DUESEHALTER F. REINIGUNGSMITTELDUESE SUPPORT GICLEUR POUR DETER DE DETERGENT	1	1	1	1	1	1
27	06200374	DYSESKYTTER DOBBELT NOZZLE PROTECTION, PLASTIC, DOBBLE	DUESESCHUTZ - DOPPELT PROTECT.PLAST.GICLEUR LAN	1	1	1	1	1	1
28	06030643	MUFFE FOR SPULERØR, Ø10 SOCKET FOR LANCE, Ø10	MUFFE F. LANZE MANCHON POUR LANCE INOX	1	1	1	1	1	1
28	06181233	DYSEHOLDER , Ø18X26 NOZZLE HOLDER , Ø18X26	DUESEHALTER F. HOCHDRUCKDUESE SUPPORT GICLEUR HAUTE PRR HAUTE PRESSION	1	1	1	1	1	1
29	06030485	SKRUEKOBLING, 1/4" INDV. SCREW COUPLING, 1/4"	SCHRAUBENKUPPLUNG, NICHT DREHBAR ACCOUPL. VIS 1/4 INT.NT NT	1	1	1	1	1	1
30	06050116	SPULERØR, RUSTFRI, Ø13X586 LANCE, STAINLESS, Ø13X586	LANZE, ROSTFREI LANCE INOX DIAM. 13X596	1	1	1	1	1	1
31	06200375	DYSESKYTTER ENKELT NOZZLE PROTECTION, PLASTIC, SINGLE	DUESESCHUTZ PROTECT.PLAST.GICLEUR LAN	1	1	1	1	1	1
35	06261964	SPECTRUM KIT, 130 SPECTRUM KIT, 130	SPECTRUM KIT KIT SPECTRUM 230	1	1				
35	06261965	SPECTRUM KIT, 135 SPECTRUM KIT, 135	SPECTRUM KIT KIT DE REPARATION			1	1		
35	06261966	SPECTRUM KIT, 140 SPECTRUM KIT, 140	SPECTRUM KIT KIT DE REPARATION				1		1
38	06050841	SPULERØR LIGE, Ø13X1,5X586 LANCE STRAIGHT, Ø13X1,5X586	LANZE GERADE TURBO LASER LANCE DROITE TURBO LASER	1	1	1	1	1	1
39	06262132	ROTO JET DYSE KPL., 3.5 ROTO JET NOZZLE CPL., 3.5	GICLEUR ROTO CPL. 3.5	1	1				
40	06262221	ROTO DYSE KIT, 3.5 ROTO JET NOZZLE KIT, 3.5	GICLEUR ROTO KIT 3.5	1	1				
40	06262222	ROTO DYSE KIT, 4.0 ROTO JET NOZZLE KIT, 4.0	KIT POUR GICLEUR ROTO 040			1	1		
41	06260365	HANDGREB TIL ROT. BØRSTER OG ENKELT LANSERØR, HANDLE FOR ROTATING BRUSHES AND SINGLE	HANDGRIFF POIGNEE DE MAINTIEN LANCE	1	1	1	1	1	1