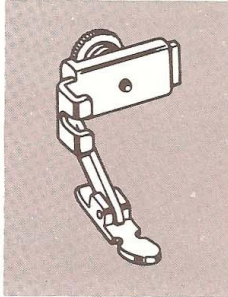


THE ZIPPER FOOT

CORDED EDGES WITH FABRIC COVERED CORD



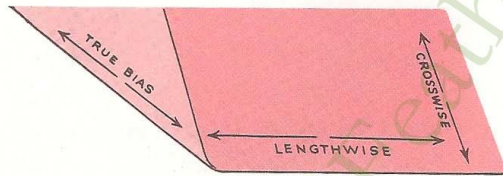
The Zipper Foot is designed to facilitate the placement of stitching close to a raised edge and is adjustable to either the right or left side of the needle. The hinged feature of this foot insures even feeding over pins, heavy layers of fabric or crossed seams.

Procedure—

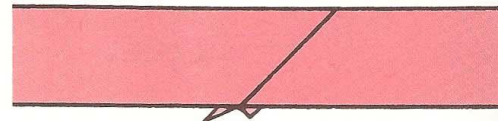
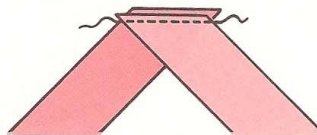
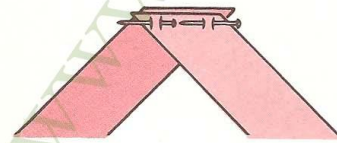
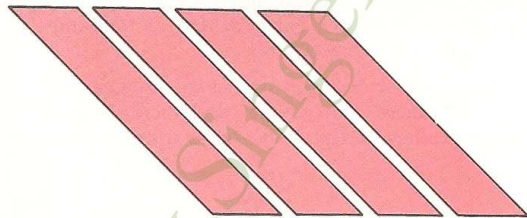
- Raise the take-up lever to its highest point.
- Attach the Zipper Foot to presser bar in place of the regular presser foot.
- Loosen Zipper Foot thumb screw and adjust the foot to right or left of needle, as desired.
- Check position of Foot by lowering the needle into the side notch, making sure it clears the Foot.
- Lock Foot in position by tightening the thumb screw.

Corded Welting

Corded welting is prepared in advance and is then stitched into the seam. The cording is covered with a true bias grain of the fabric.

**To cut and join bias strips**

The bias grain is found by folding the *lengthwise grain* to the *crosswise grain*—the diagonal grain is a true bias. Cut along the folded line, then continue cutting strips in widths of $1\frac{1}{4}$ inches plus three times the width of the cord.



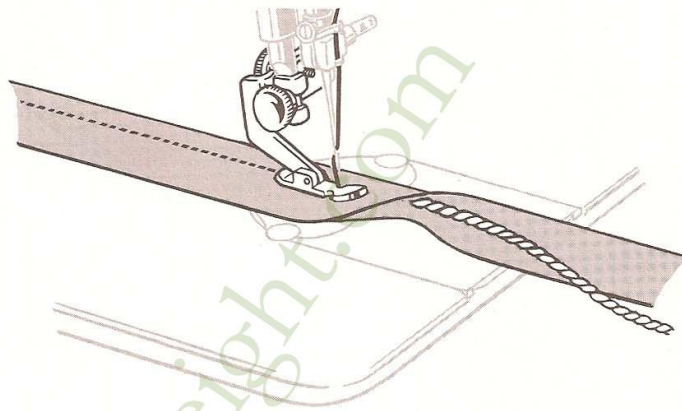
Seam Pressed Open

Always join bias strips on the *lengthwise grain*. The lengthwise ends offset the width of the seam. The seam is always narrow and pressed open. Match the weave, stripe or design if material has prominence in any of these respects.

To stitch corded welting

- Adjust Zipper Foot to the left of the needle.
- Encase the cord in the bias strip, raw edges even.
- Place under Zipper Foot with raw edges to the left.
- Position needle, lower Foot and start stitching.
- Stitch close to the cord but do not crowd.

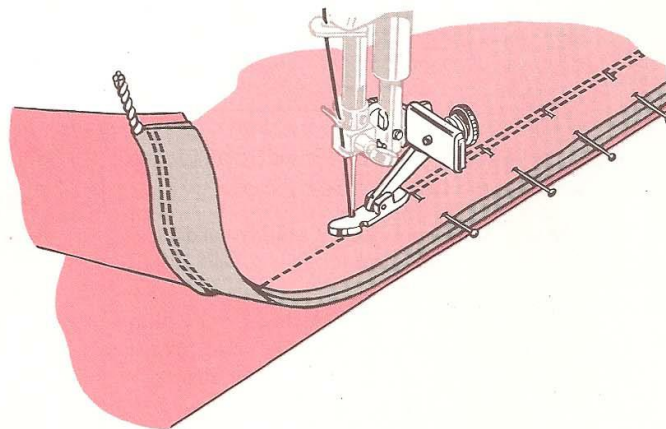
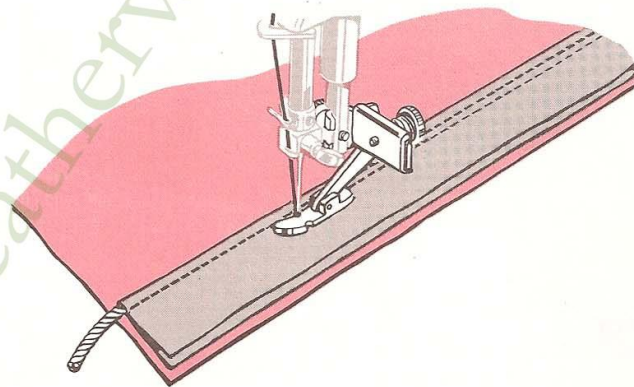
Use a stitch length slightly longer than for seaming the weight of fabric being used.



Corded Welting

To Make Corded Seams

- Adjust Zipper Foot to the right of the needle.
- Attach corded welting to right side of a single seam edge, using same length stitch as used for welting.
- Stitch close to the cord but do not crowd.
- Place attached corded welting over second seam edge. Pin or baste.
- Keep the first stitching uppermost as a guide and position the seam under the needle.
- Stitch, this time crowding the Foot against the cord.



Continued on next page

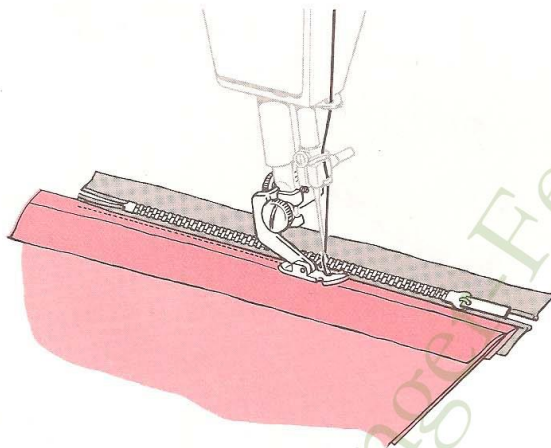
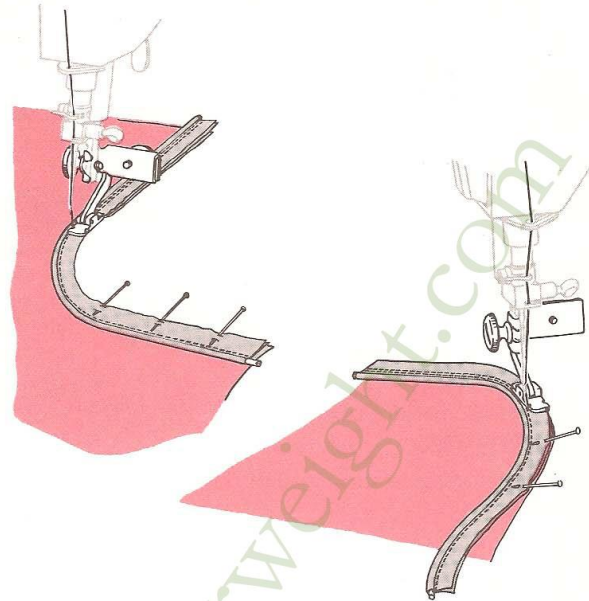
THE ZIPPER FOOT

Curved Seams

Curved seams are corded as easily as straight seams. The stitch length used for the first stitching that attaches the cord to the seam is somewhat shorter than for straight seams because of the curve.

- On inside curves the seam allowance of the corded welting is full and requires easing.
- On outside curves the seam allowance must be stretched.

Seam blending is important on curved seams since the seam allowance on the welting is bias. Blend the garment and facing seam to within $\frac{1}{4}$ inch of the stitching and the welting to within $\frac{1}{8}$ inch of the stitching. The seam of the inside curve is slashed and the outside curve is notched.



To Insert a Zipper

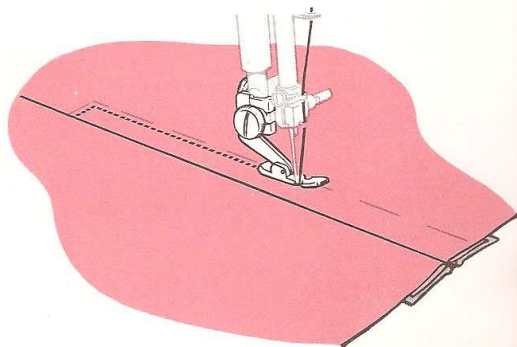
Several methods are used to insert a zipper and in any method used, the Zipper Foot enables you to form an even line of stitching close to the zipper.

When the zipper is to the right of the needle—

- Adjust the Zipper Foot to the left of the needle.

When the zipper is to the left of the needle—

- Adjust the Zipper Foot to the right of the needle.



Suggested List of Practical Uses of the Zipper Foot

Zipper insertions • Tubular cording
Button loops

Corded seams used on:

Dresses • Children's clothes • Collar and cuff sets • Blouses • Bedspreads
Dressing table skirts • Slip covers
Cornices