

SINGE R CRAFT

FAGOTER



THE SINGERCRAFT FAGOTER

The SINGERCRAFT FAGOTER produces fagoting, lace-like bandings, edgings, braid and lattice trim in great variety, combining the fascination and art of handwork with the speed and accuracy of machine production.

Neither special skill nor tedious practice is needed in order to produce quickly and easily perfect fagoting this new way. Just weave on the materials of your choice and stitch. And by slight variations in these fundamental operations, a surprisingly wide range of effects is obtainable. The character of the work produced depends upon the weave, colors and materials chosen.

Fagoting is always recognized as a mark of distinction and good taste, whether it be applied to fashions or home furnishings, and now that the SINGERCRAFT FAGOTER insures accurate results, there is no end to the smart and original expression possible in bed and table linens, curtains and pillows, millinery, dresses, accessories, lingerie or children's clothes.

MATERIALS. All cords, whether cotton, mercerized, linen, rayon or silk, are suitable for this design-forming medium. Wool, raffia, boucle or guimpe yarns may also be employed. The size of cord or yarn used for the stay lines should not be finer than size 3 in cotton, rayon and linen cords because these must fit into the groove of the Fagoter Foot, provided for this purpose, to keep the fagoting even and strong. The stay lines act as a further guide when applying or inserting the fagoting on or into the article under construction, insuring accurately spaced seams and a smooth under finish.

COLORS. The colors chosen may be matching, contrasting or combined, depending on personal taste and the nature of the article being made.

WEAVES. The Figure 8 and the Ladder Weaves are most commonly used. All other weaves are developed from these two. The number of prongs covered or skipped, the slant of the weave and the combination of weaves afford great variety of design.

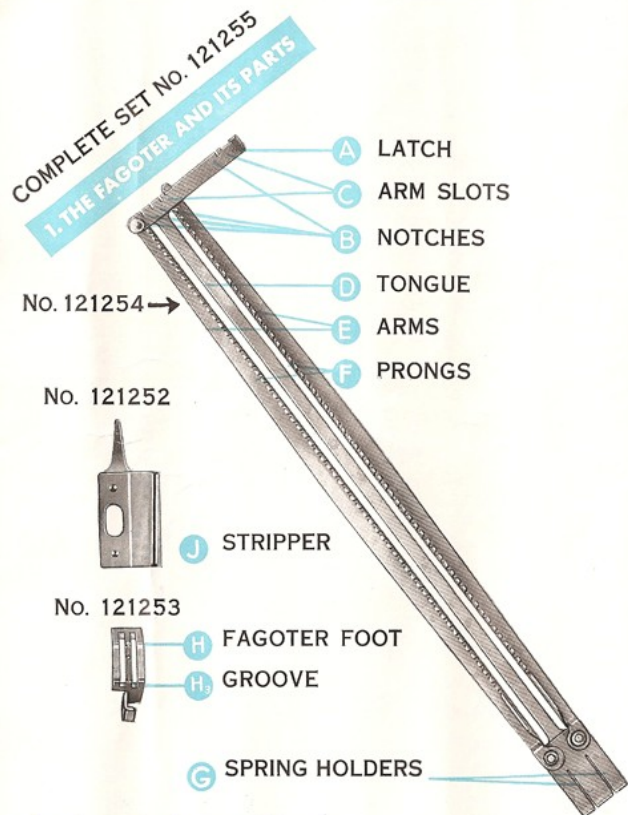
STAY LINES. These are the two cords which hold together the weave of the design. A small stitch, approximately 15 to the inch, should be used to insure strength.

Copyright, U. S. A., 1933 and 1934, by The Singer Manufacturing Co. Form 18808—Nov. 1934. All Rights Reserved for all Countries. PRINTED IN U. S. A.

April 1930's Sewing Shoppe



www.April1930s.com

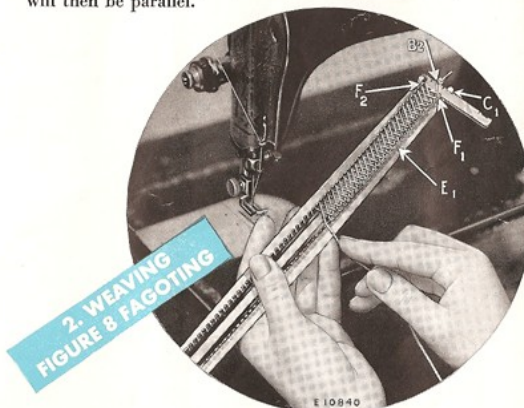


April 1930's Sewing Shoppe

WEAVING FIGURE 8 IN PARALLEL FAGOTING. The Figure 8 Weave produces the traditional fagoting stitch used in all fields of sewing.

If possible, decide first upon the desired length of fagoting, and allow enough cord for the stay lines by cutting a piece from the ball or skein, twice as long as the desired length of fagoting plus 8 inches. Lay this aside, temporarily.

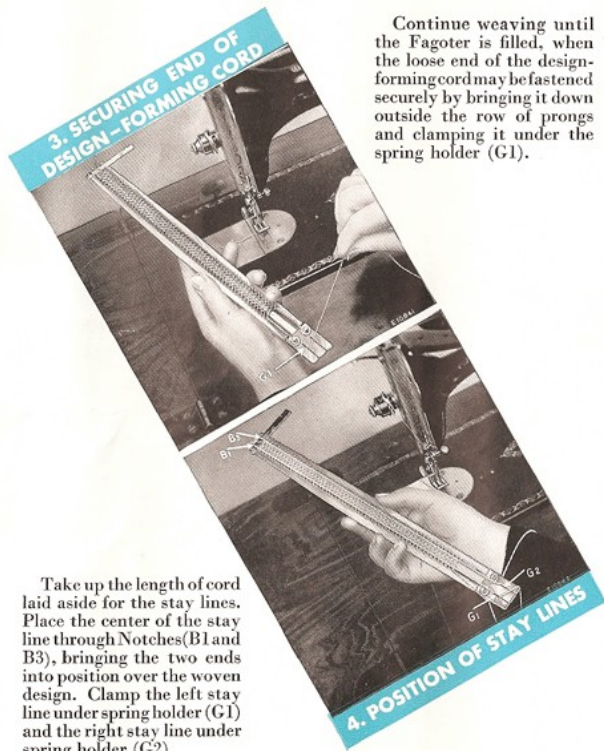
Close the latch (A) over the right end of the fagoter, by sliding the tongue (D) into the slot of the latch (A) and fitting the end of the right arm (E1) into the first arm slot (C1). Both arms will then be parallel.



Knot the end of the design-forming cord and bring the cord up through Notch (B2), leaving the knot underneath. Holding the cord firmly between the thumb and forefinger, begin weaving by passing the cord from left to right, around the first lower prong (F1) and from left to right around the first upper prong (F2), cross, and from left to right around the second lower prong, weaving up with the thumb and down with the forefinger, and pressing the cord firmly between each prong. To prevent the springing of the frame, do not wind the yarn too tightly.

5

www.April1930s.com



Take up the length of cord laid aside for the stay lines. Place the center of the stay line through Notches (B1 and B3), bringing the two ends into position over the woven design. Clamp the left stay line under spring holder (G1) and the right stay line under spring holder (G2).

Continue weaving until the Fagoter is filled, when the loose end of the design-forming cord may be fastened securely by bringing it down outside the row of prongs and clamping it under the spring holder (G1).

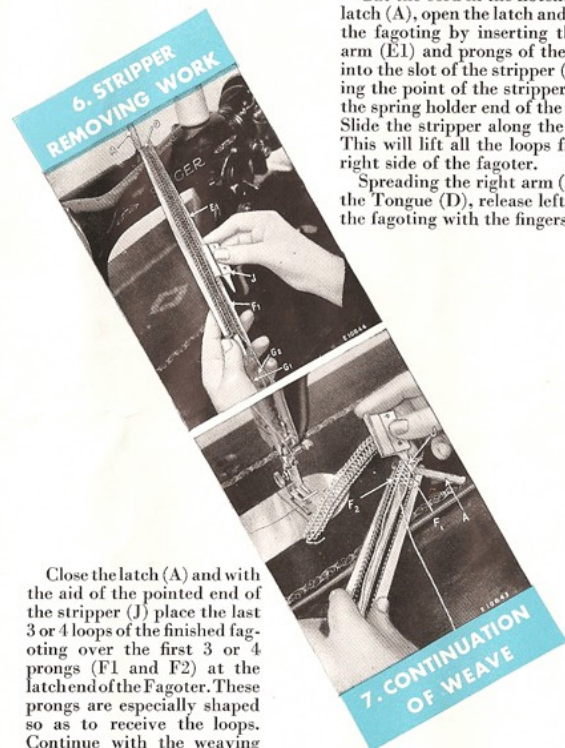


5. STITCHING WITH THE FAGOTER FOOT

Attach the Fagoter Foot (H) to the Presser Bar with the regular thumb screw. This screw is placed in the upper hole in the shank of the foot on Singer 101 Machines. On all other Singer lock-stitch family machines, the screw is placed in the lower hole of the foot.

Lower the Fagoter Foot, placing the right slot (H1) of the Foot over the right row of prongs (F1) on the Fagoter. Stitch down the stay line, the groove (H3) on the under side of the Fagoter Foot fitting exactly over the stay line cord, to guide it under the center of the needle.

When the right side has been stitched, insert the left row of prongs (F2) into the left slot (H2) of the Foot and stitch as before.

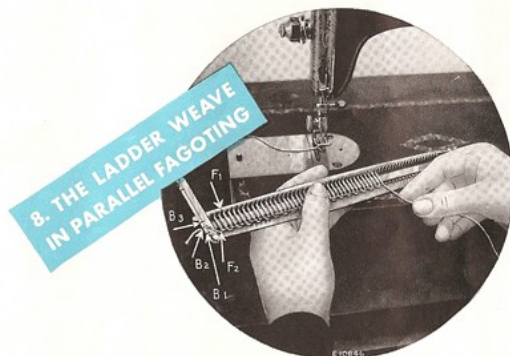


Close the latch (A) and with the aid of the pointed end of the stripper (J) place the last 3 or 4 loops of the finished fagoting over the first 3 or 4 prongs (F1 and F2) at the latch end of the Fagoter. These prongs are especially shaped so as to receive the loops. Continue with the weaving and stitching, as before, until the desired length is obtained.

Cut the cord in the notches of the latch (A), open the latch and remove the fagoting by inserting the right arm (E1) and prongs of the fagoter into the slot of the stripper (J), having the point of the stripper toward the spring holder end of the fagoter. Slide the stripper along the prongs. This will lift all the loops from the right side of the fagoter.

Spreading the right arm (E1) and the Tongue (D), release left edge of the fagoting with the fingers.

7. CONTINUATION OF WEAVE



8. THE LADDER WEAVE IN PARALLEL FAGOTING

THE LADDER WEAVE IN PARALLEL FAGOTING. The Ladder Weave is generally used when an exaggerated effect of hemstitching is desired.

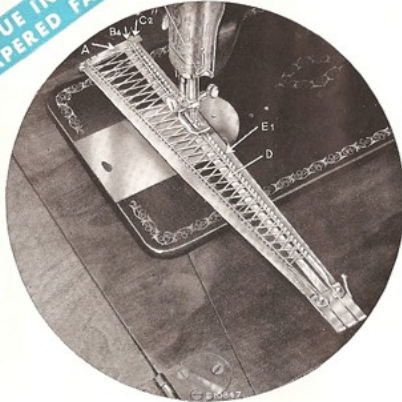
Reverse the position of the Fagoter, holding the latch end at the left. Insert the knotted end of the design-forming cord into the notch (B2) and holding the cord firmly between thumb and forefinger, draw the cord under the first lower prong (F2), straight up and over the second upper prong (F1), straight down and

under the third lower prong, etc., rolling the Fagoter back and forth with the left hand, to facilitate the weaving.

WEAVING TAPERED FAGOTING. Millinery, Home Furnishings, Collars, Cuffs, Gloves and other accessories often call for a tapered motif in Fagoting. For this reason, the Fagoter has been so designed that the right arm (E1) may be spread and fitted into the arm slot (C2) at the extreme end of the latch (A) to form a frame suitable for this type of work.

Care should be taken to move the tongue (D) to the right, to form a track for the right side stitching and to the left for the left side stitching, in order to insure proper feeding. The operations of weaving, stitching and the removal of Tapered Fagoting are the same as those for Parallel Fagoting, with the exception that the right stay line is carried through Notch (B4).

9. TONGUE IN POSITION FOR TAPERED FAGOTING



METHODS OF APPLYING FAGOTING



All fagoting must be made separately before it can be applied or inserted.

APPLYING TAPERED FAGOTING. Tapered Fagoting is usually applied to the face or right side of the material, stitching through the stay lines. The material under the fagoting is then cut away, pressed to the wrong side and stitched again, on the right side, through the stay lines. It is best to do this over paper.

When inserted between sections of a garment, the seam edges are first pressed back and basted to the stay lines, then stitched on the right side of the garment on the very edge, taking care that the stitches follow the stay lines exactly. The surplus material on the wrong side may then be cut away even with the loops and the basting removed. The stitching should be done over paper.

Whenever Tapered Fagoting is used, it is best to finish the broad end by turning it back against itself for a distance of about one inch. Then stitch carefully through the one stay line, and spreading the fagoting to its full width, carry the stitching across to the opposite stay line, stitch along the stay line for a distance of about one inch and fasten the ends of the machine threads securely.

APPLYING PARALLEL FAGOTING. Parallel Fagoting is usually used as a trimming inserted in seams, lending a delicate transparency to the garment.

When used as an insertion, the fagoting is stitched to both right side edges of the seam, through the stay lines, using the Fagoter Foot. After pressing the seam edges back to the wrong side, the garment is turned again to the right side and stitched on the very edge, each side of the fagoting.

11. SHOWING INSERTED PARALLEL FAGOTING



12. FAGOTED EDGING IN TWO COLORS

When parallel fagoting is used as an edging, the stay lines should be placed next to the material, on the right side of the material about one quarter inch from the edge, and stitched into place with the Fagoter Foot, keeping the stay line, even though reversed, in the groove of the foot. Turning the edge of the garment to the wrong side, press, and stitch again on the right side, along the very edge of the garment, following the stay line.

When used as a braid, the finished parallel fagoting may be stitched directly to the garment, over the stay lines, using the Fagoter Foot.

13. FAGOTING OF D. M. C. CORD APPLIED AS BRAID



14. LADDER WEAVE FAGOTING IN HEM

When inserted in a hem, as shown in the photograph, apply the fagoting to the right side edge of the garment or article, stitching along the stay line. Turn to the wrong side, press and stitch again, on the extreme edge, through the stay line.

Cut a strip twice the depth of the hem desired, plus one-half inch; join the fagoting to the edge of the strip, along the remaining stay line. Press, and turning down the raw edge of the hem about one-quarter inch, bring the folded edge in line with and over the stay line, stitching into position on the very edge.