

Form K6054
(1154)



ILLUSTRATED
LIST OF PARTS
For
No. 222K1 Machine



The Singer Manufacturing Company

All Rights Reserved

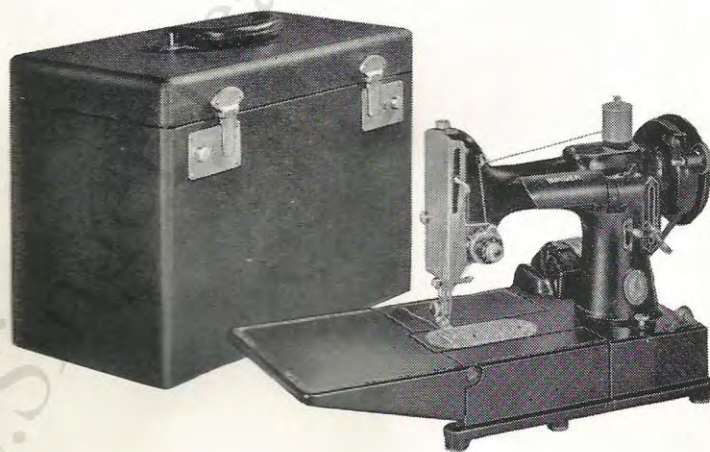
Printed in Great Britain

www.Singer-Harnerweight.com



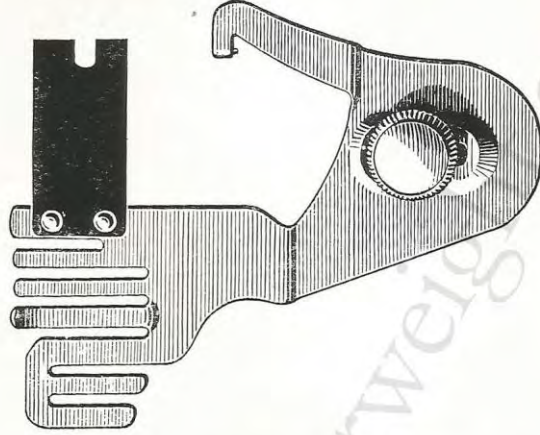
Form K6054

Illustrated
List of Parts
FOR
No. 222K1 Machine

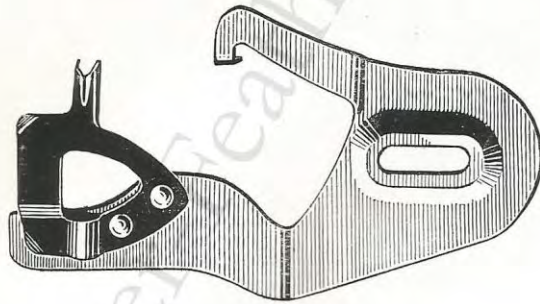


**A Trade Mark of
THE SINGER MANUFACTURING COMPANY

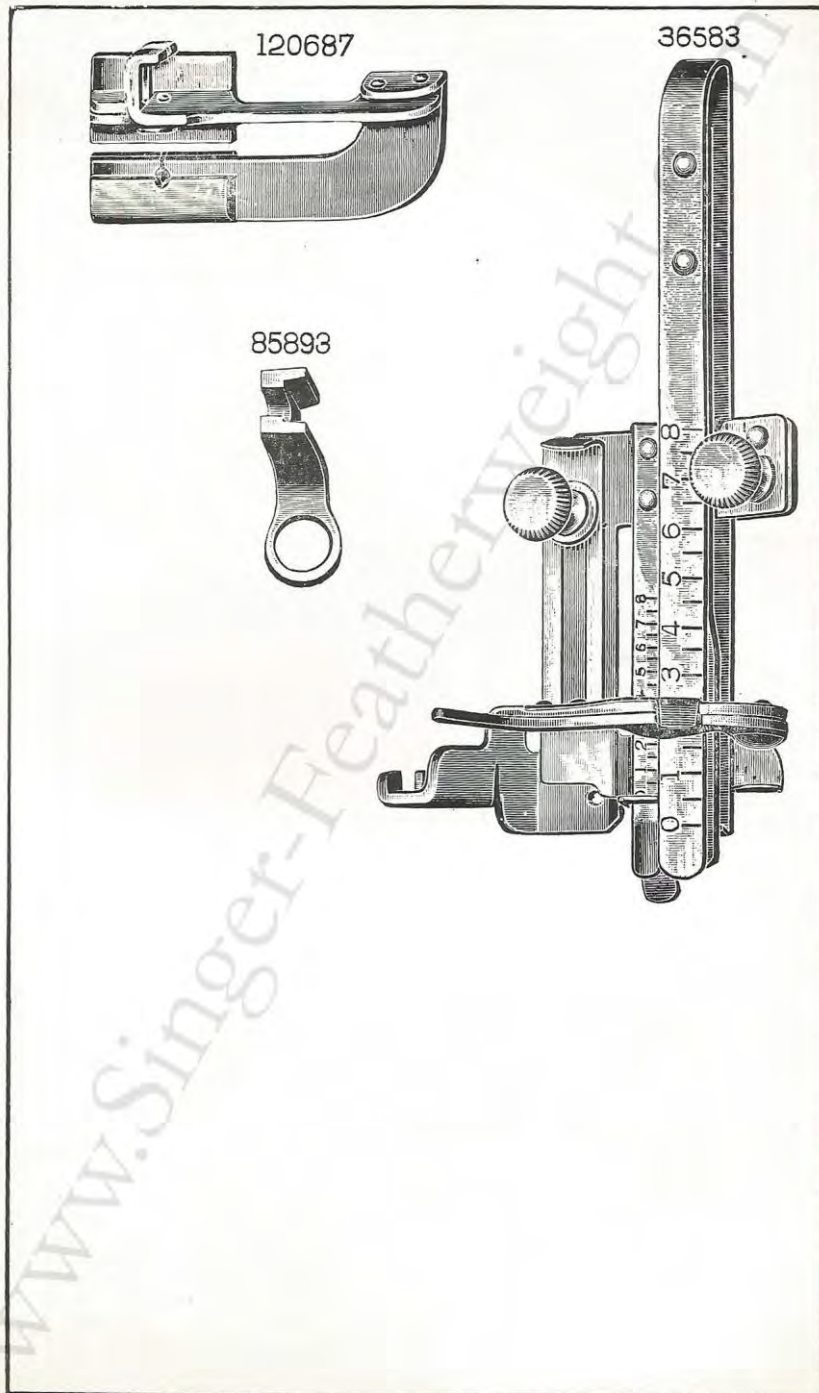
121170

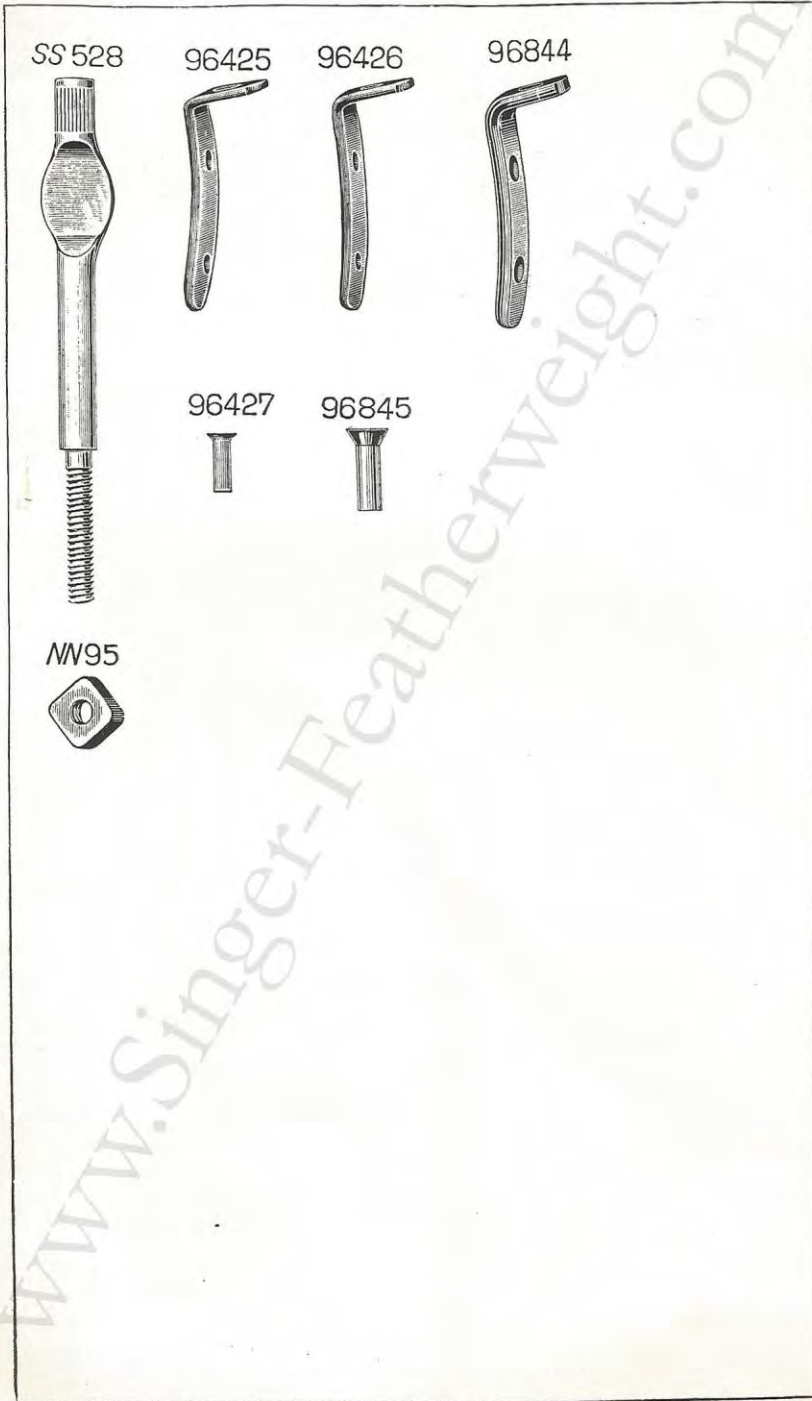


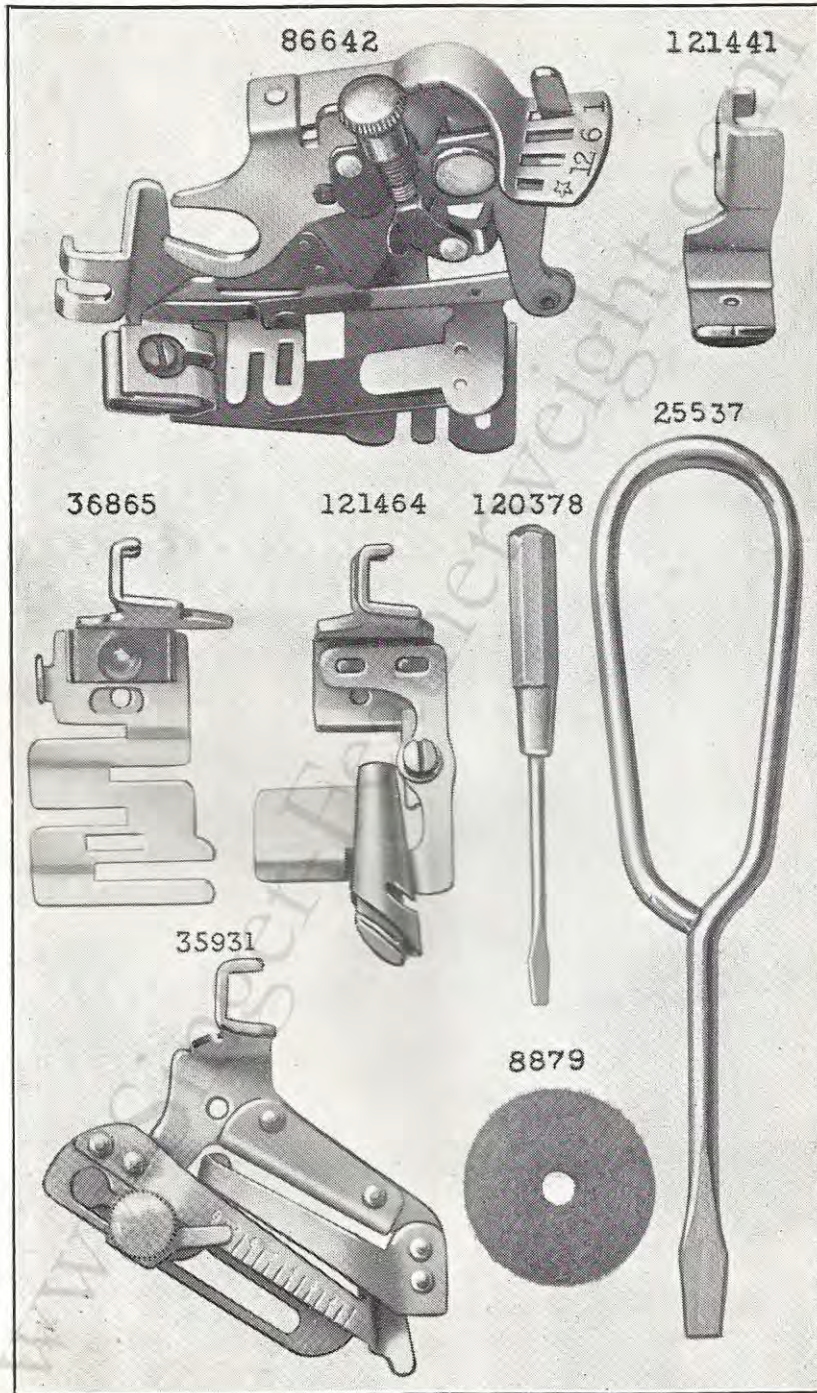
121547

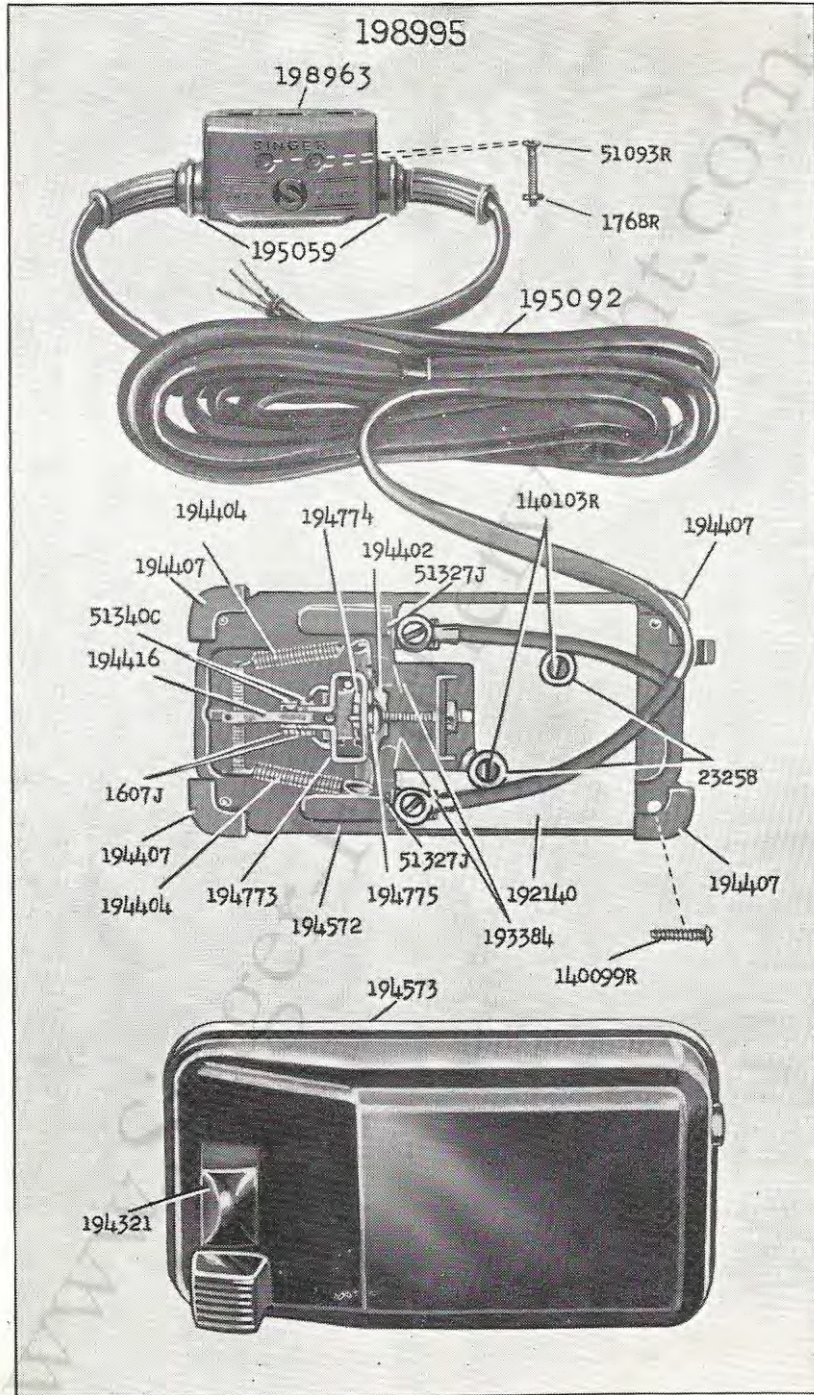


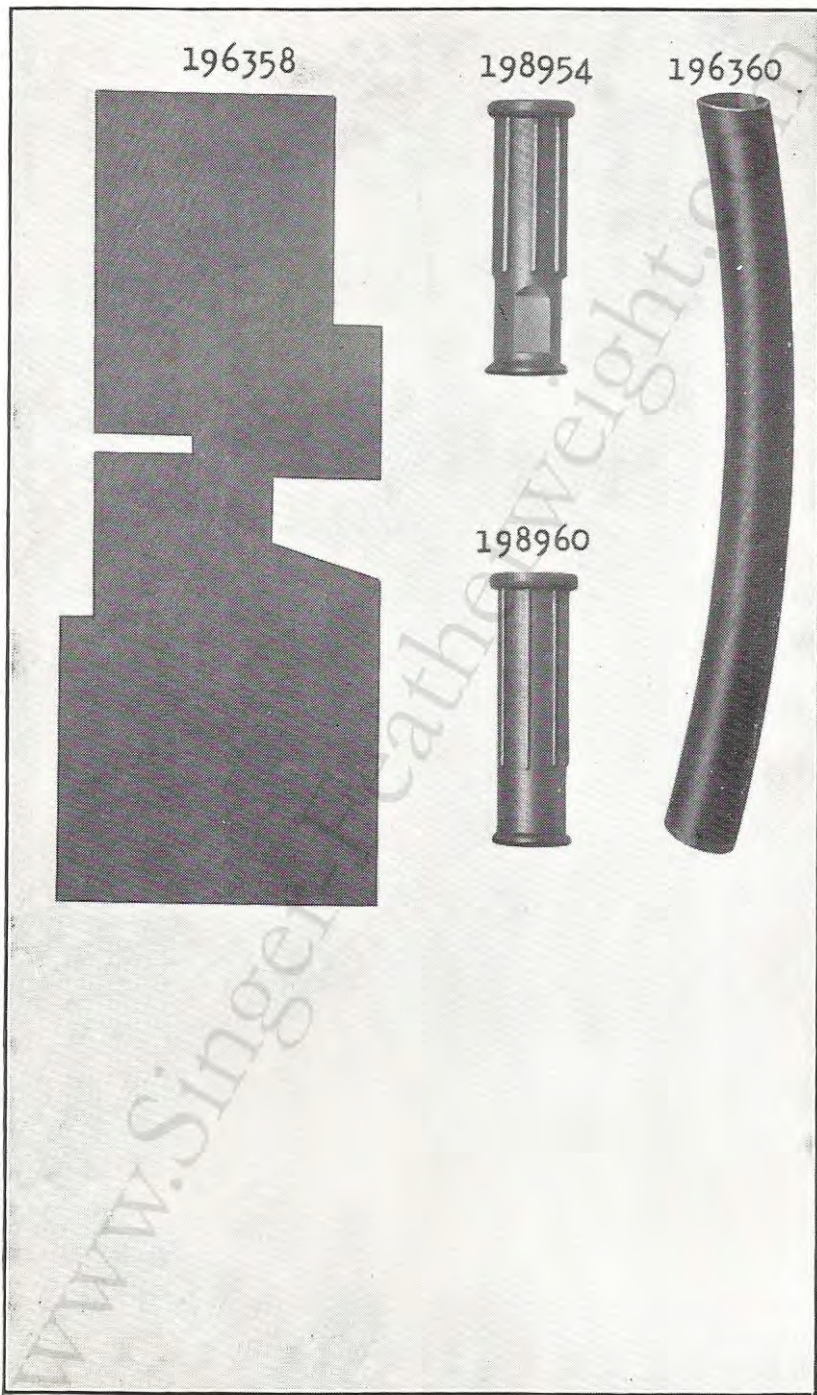


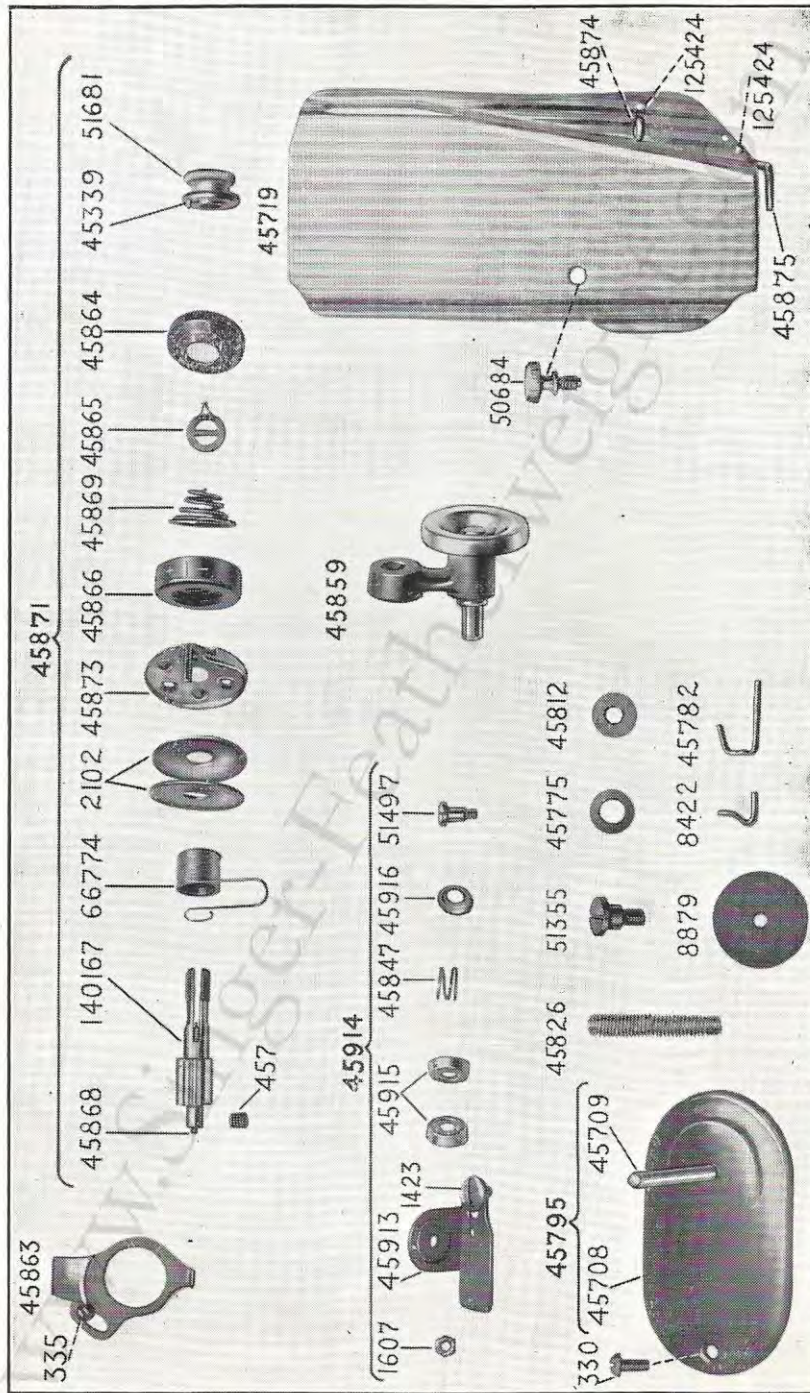


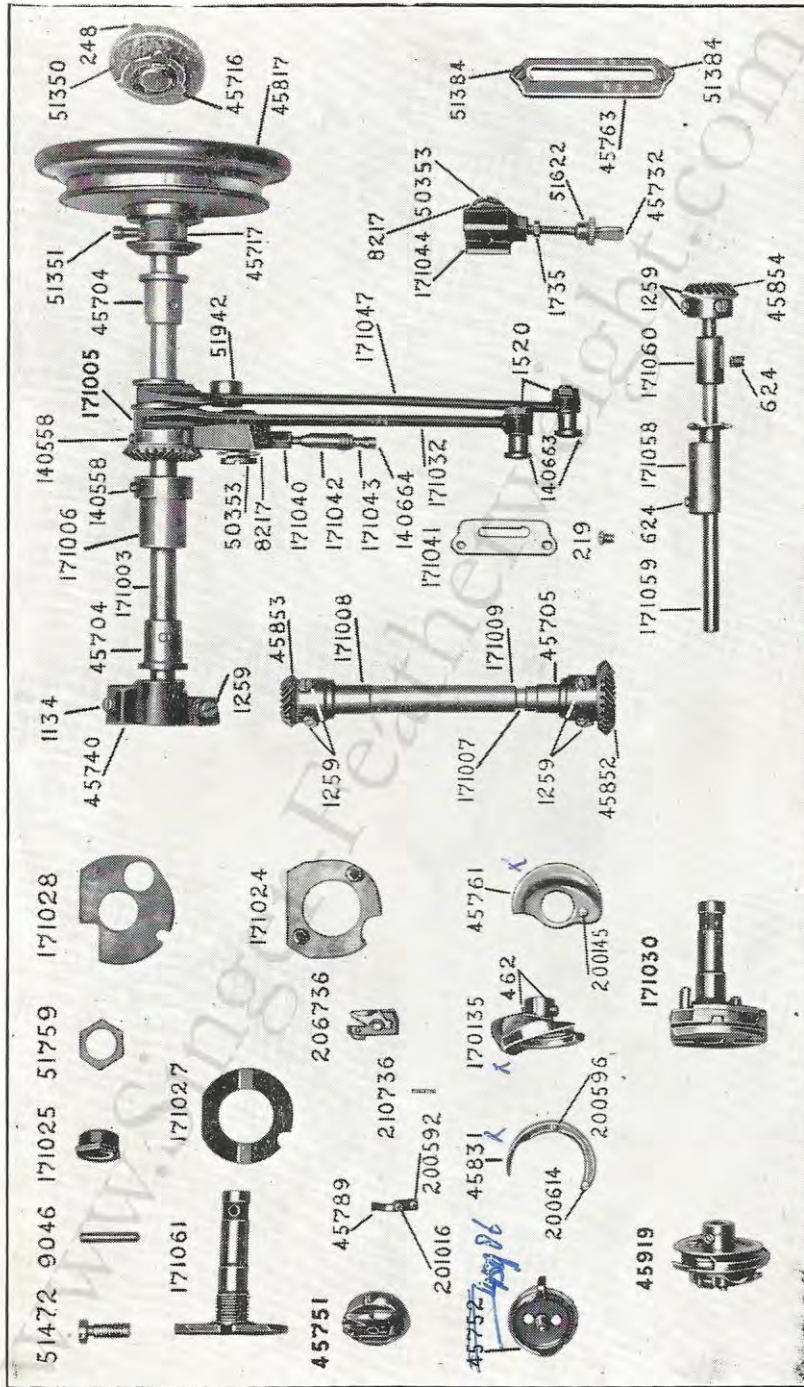


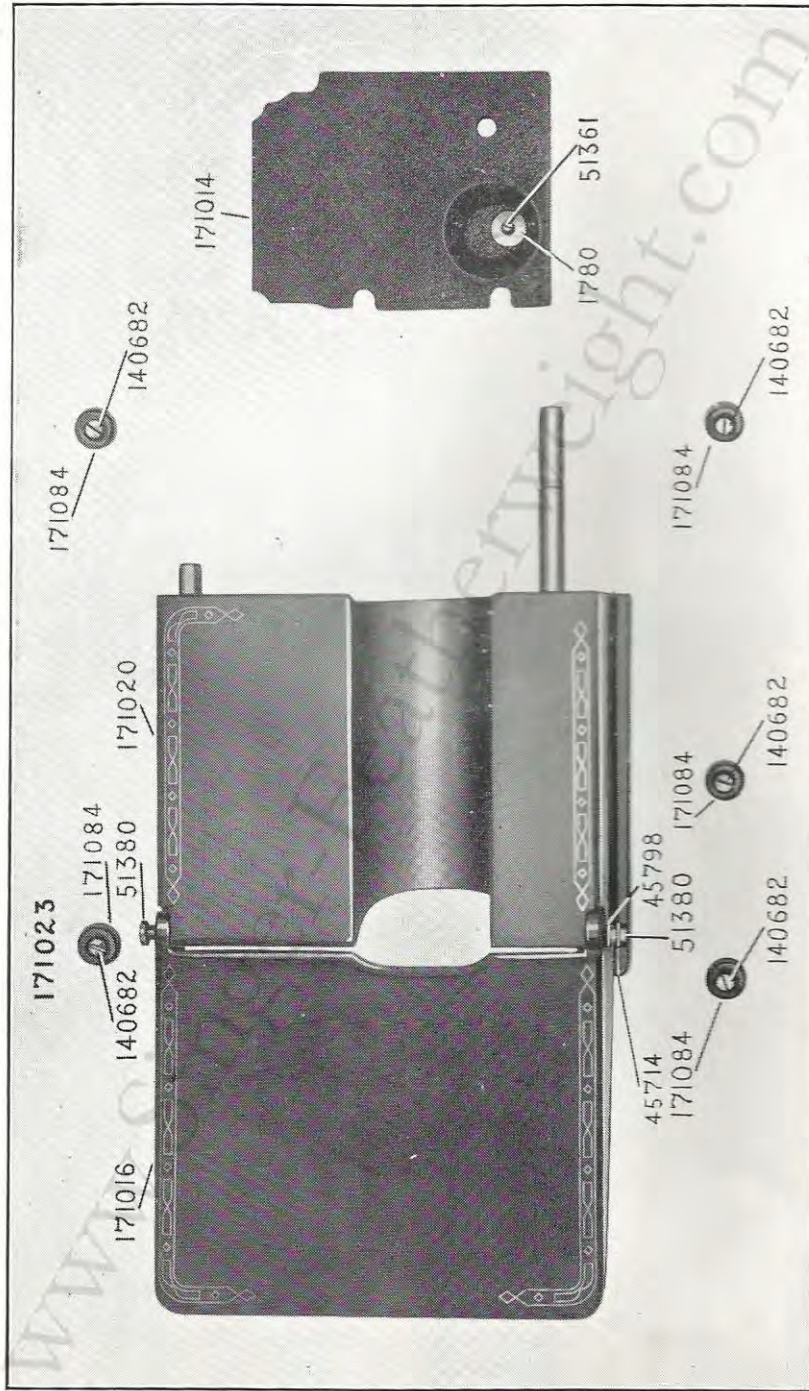


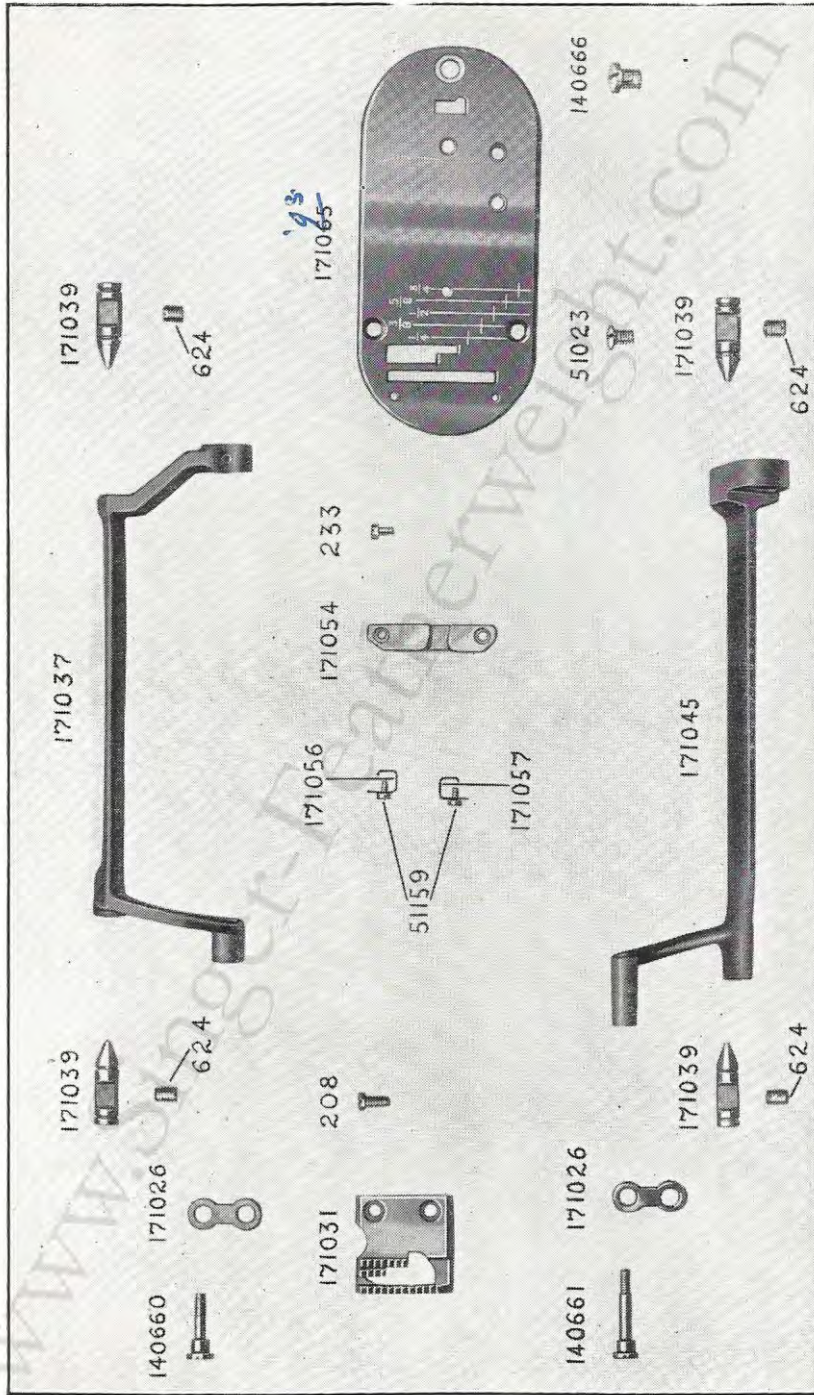








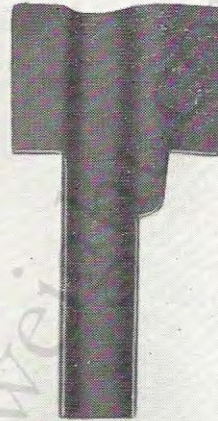




171050



171051



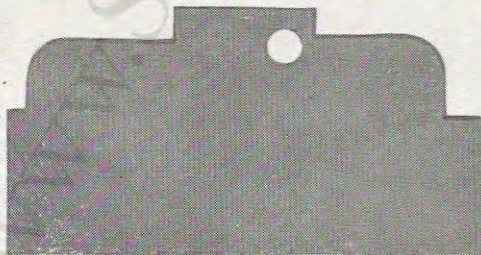
196354



196364

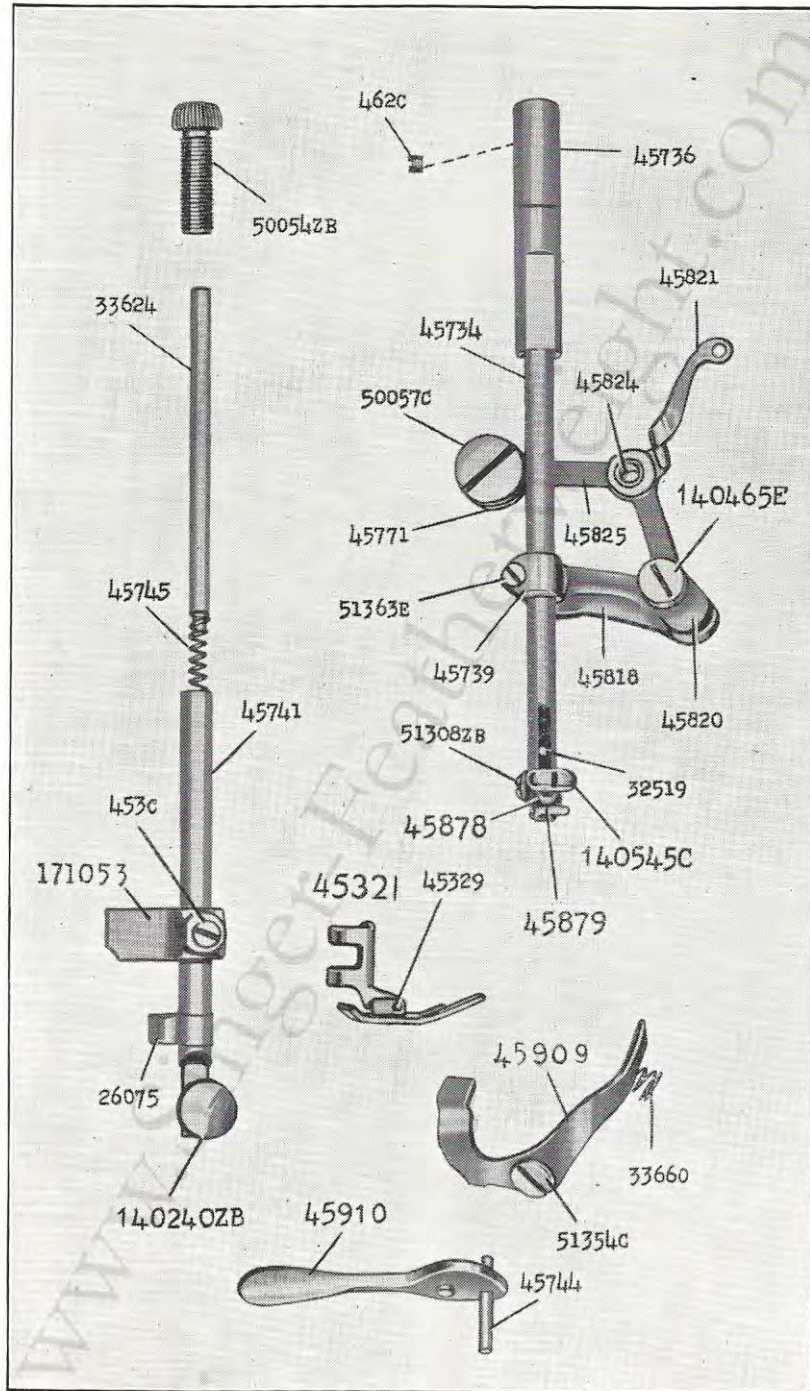


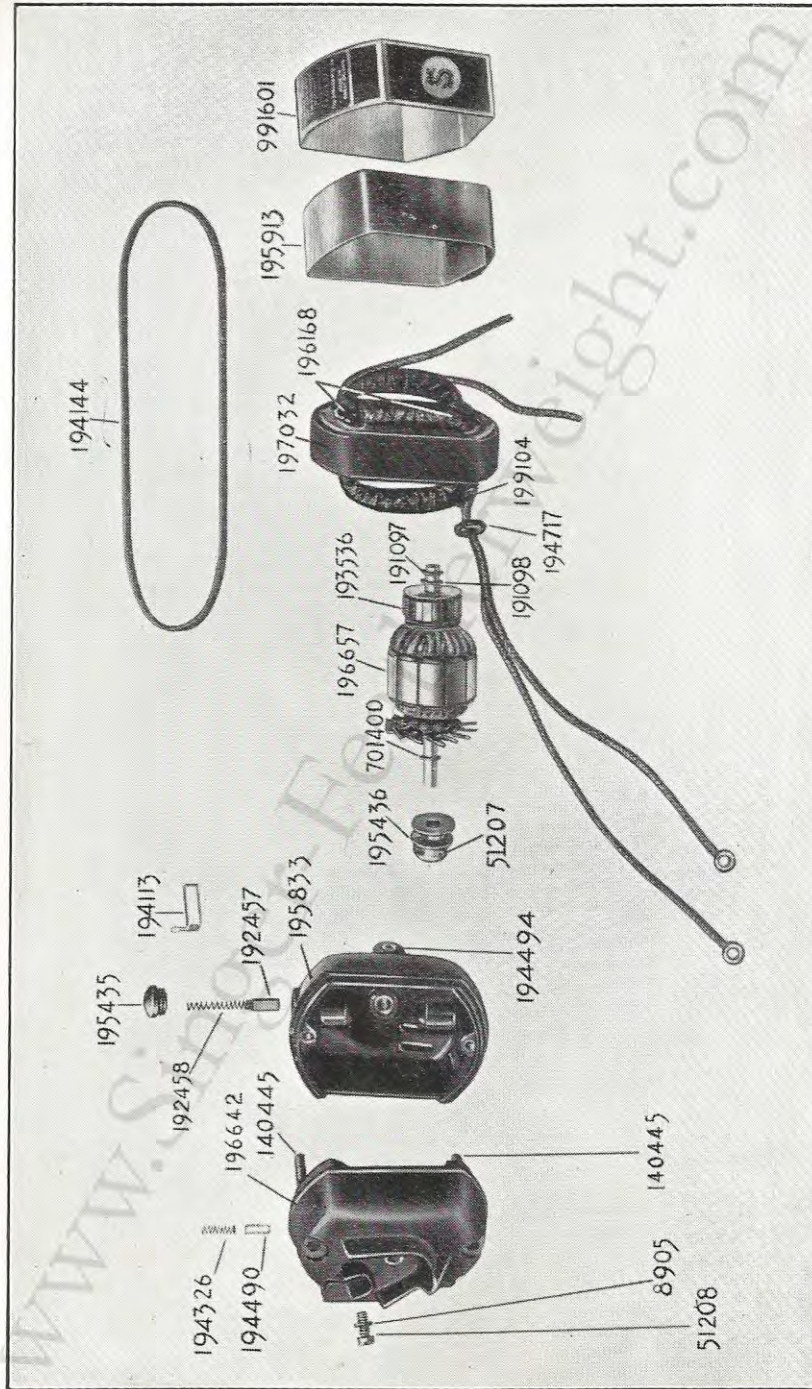
196356

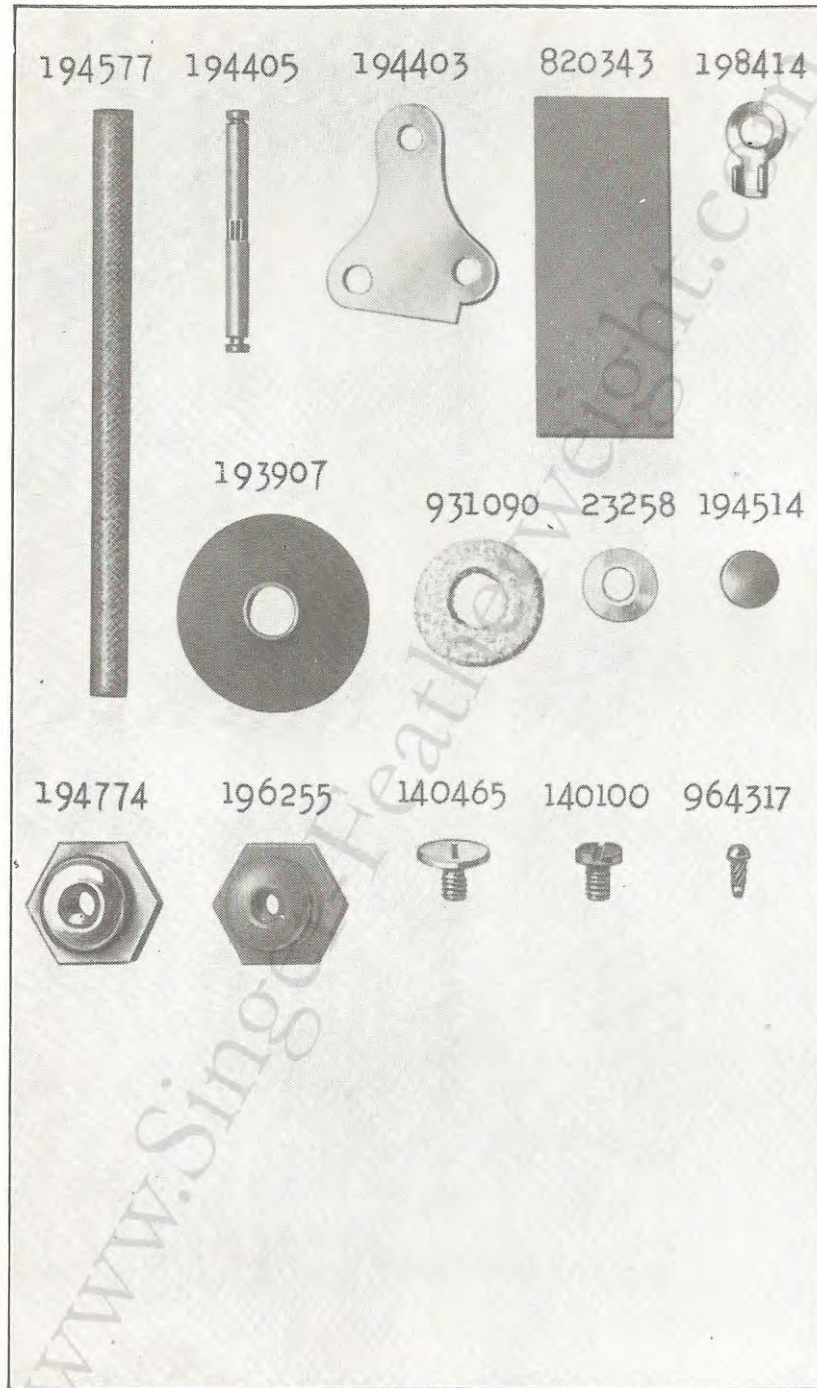


196363

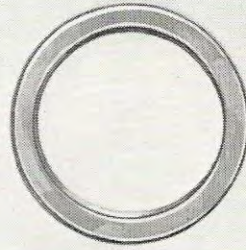




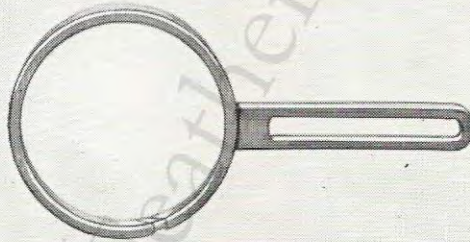




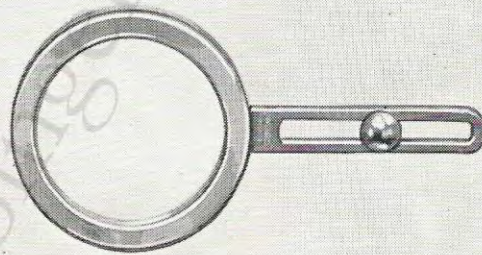
171073

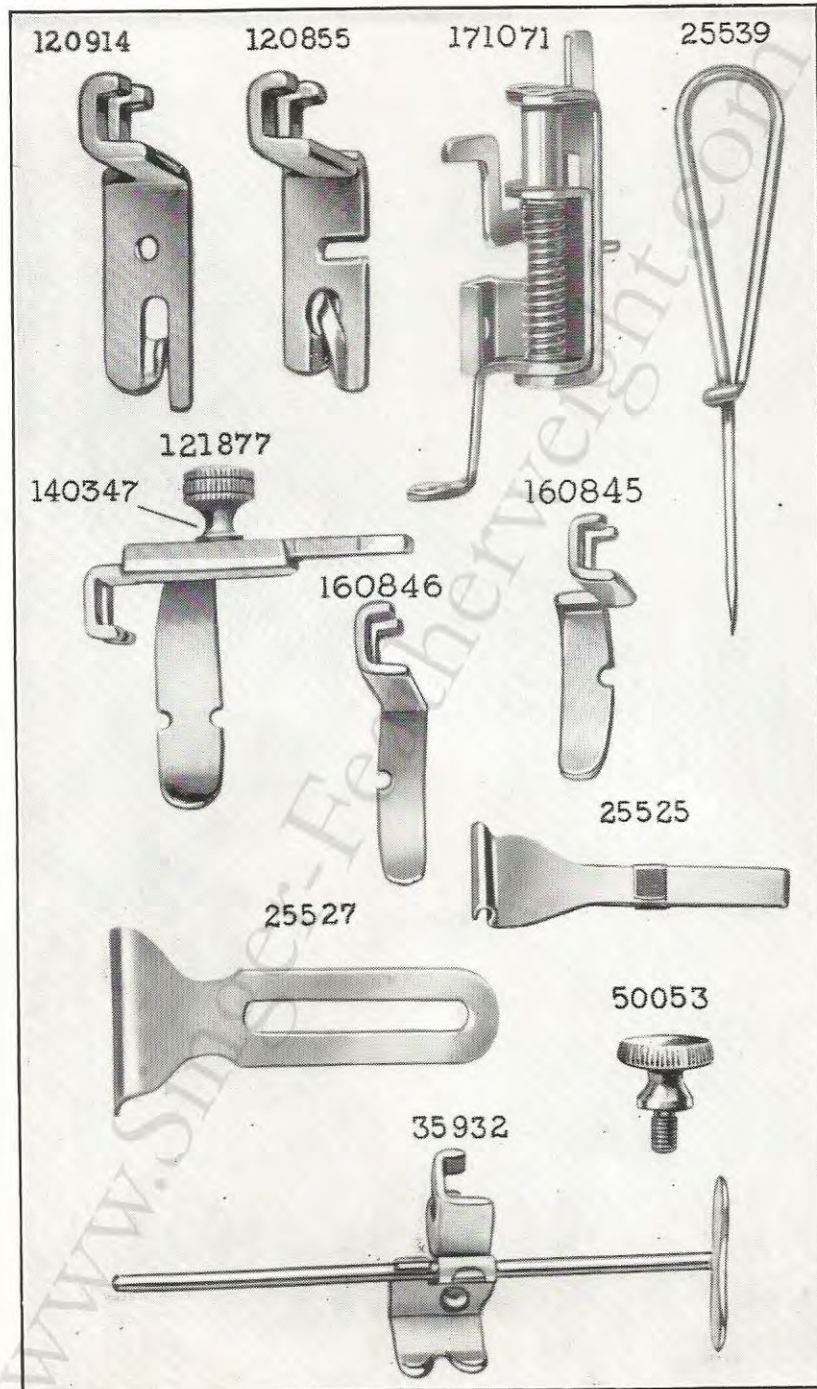


171072

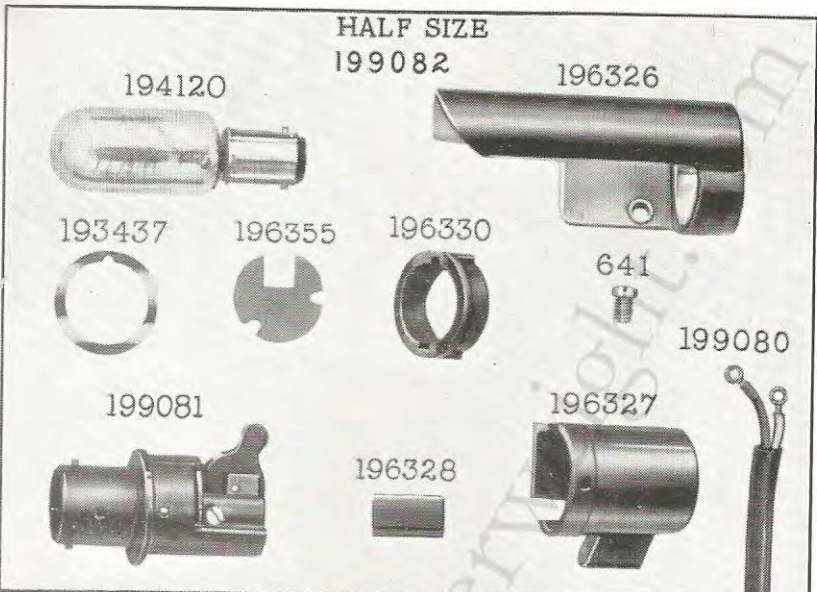


171074

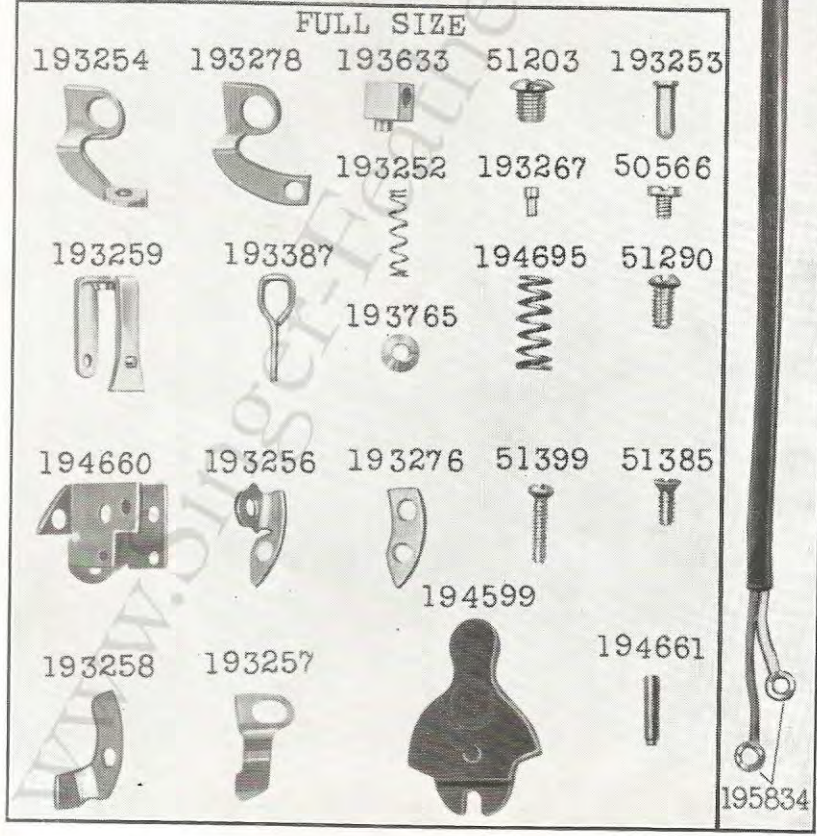




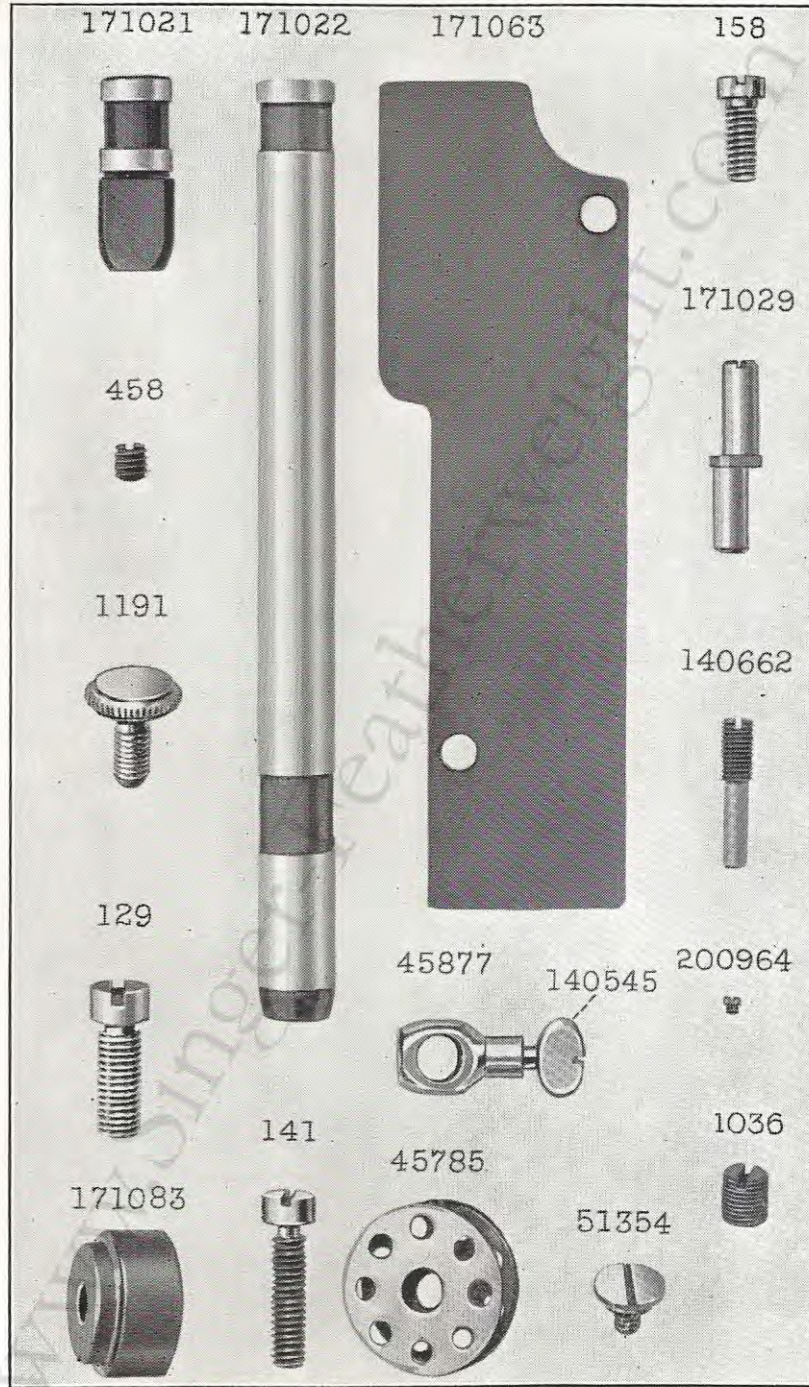
HALF SIZE



FULL SIZE



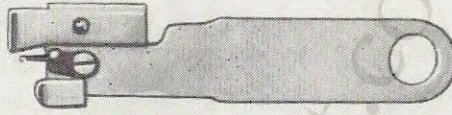




190439



121632



121631

140157



www.Singer-Featherweight.com

LIST OF PARTS

For

No. 222K1 MACHINE

www.Singer-Featherweight.com

CONTENTS

	Page
Attachments	48
Bobbin Winder Parts	47
Carrying Case	50
Machine Parts	31
Motor Parts	39
Numerical List of Parts	53
Singerlight	46

INSTRUCTIONS FOR ORDERING

In ordering from this List, the prefix and affix letters with the part number **MUST BE** quoted exactly as they are shown in the first column.

A number always indicates the same part in whatever List it may appear, or for whatever machine.

The affix letters (where shown) indicate the style of finish, as follows :—

- A. Hardened, Polished, Nickel Plated and Buffed.
- A.A. Buffed and Chromium Plated.
- A.B. Hardened, Polished, Buffed and Chromium Plated.
- A.C. Brown Baking Enamel Finish.
- A.D. Grey Baking Enamel Finish.
- A.E. Hardened, Bright Rumbled and Nickel Plated.
- A.F. Hardened, Bright Rumbled and Nickel Plated, Bright Rumbled and Chromium Plated.
- A.J. Polished, Nickel Plated and Chromium Plated.
- A.K. Hardened, Polished, Nickel Plated and Chromium Plated.
- A.L. Heat Treated for Toughness.
 - B. Polished, Nickel Plated and Buffed.
- C. Hardened only.
- C.R. Hardened and Phosphoric Treated.
 - D. Polished only.
 - E. Soft, not Polished.
 - F. Hardened and Polished.
- F.J. Hardened, Polished and Nickel Plated.
- G. Bright Rumbled and Nickel Plated.
- H. Blued.
- J. Nickel Plated only.
- K. Hardened and Nickel Plated.
- L. Brass Plated.
- M. Oxidized.
- N. Japanned, Dull.
- P. Japanned, Bright.
- P.P. Wrinkle Finish.
- R. Phosphoric Treated.
- S. Cadmium Plated.
- T. Copper Plated.
- T.A. Hardened, Polished, Copper and Nickel Plated and Buffed.
- T.B. Copper and Nickel Plated and Polished.
- T.J. Copper and Nickel Plated only.
- T.K. Hardened, Copper and Nickel Plated.
- T.L. Copper and Brass Plated.
- T.M. Copper Plated and Oxidized.
 - U. Zinc Plated.
 - V. Silver Plated.
- W. Polished and Nickel Plated.
- X. Black Oxide for Iron and Steel.
- X.C. Hardened and Black Oxide for Iron and Steel.
 - Y. Black Nickel Plated only.
 - Z. Chromium Plated.
- Z.A. Hardened, Polished, Nickel Plated, Buffed and Chromium Plated.
- Z.B. Polished, Nickel Plated, Buffed and Chromium Plated.
- Z.C. Hardened and Chromium Plated.
- Z.D. Polished and Chromium Plated.
- Z.G. Bright Rumbled, Nickel Plated, Bright Rumbled and Chromium Plated.
- Z.J. Nickel and Chromium Plated.
- Z.T. Copper and Chromium Plated.

Parts marked with an asterisk () are furnished only when the repairs are made at Factory.*

PARTS COMPLETE
FOR
MACHINE No. 222K1

Portable Family Machine, Reversible Drop Feed, Rotary Hook,
Motor Driven and Singerlight.

Can be used for Tubular work by removing the Cloth Plate and Extension Plate
Assembly.

No.	Plate								
*171001	—	Arm
*171002	—	,,	171001 with 171007, 171008, 171009 and two 45704
<i>NOTE.—Due to the accuracy required for gear alignment, Arm cannot be supplied separately and can only be sent as a unit, Arm and Bed assembled.</i>									
9046	2670	Arm Dowel Pin	(2)
51472e	2670	,,	Screw (3)
171003	2670	,,	Shaft (horizontal)
171004	—	,,	,, (,,)	171003 with 45740
171005	2670	,,	,, (,,)	Bevel Gear Feed Cam and Feed
				Lifting Eccentric with 140558al
140558al	2670	,,	,, (,,)	Bevel Gear Feed Cam and Feed
				Lifting Eccentric Set Screw
45704	2670	,,	,, (,,)	Bushing (2)
171006	2670	,,	,, (,,)	Counter balance with 140558c
140558c	2670	,,	,, (,,)	,, Set Screw
45705	2670	,,	,, (upright)
45852	2670	,,	,, (,,)	Bevel Gear (lower) with two 1259al
1259al	2670	,,	,, (,,)	,, ,, (,,) Set Screw
45853	2670	,,	,, (,,)	,, ,, (upper) with two 1259al
1259al	2670	,,	,, (,,)	,, ,, (,,) Set Screw
171007	2670	,,	,, (,,)	Bushing (lower)
171008	2670	,,	,, (,,)	,, (upper)
171009	2670	,,	,, (,,)	Lamp Lead Shield
45708	2669	,,	Top Cover
45795	2669	,,	,, ,, 45708 with 45709
330	2669	,,	,, ,, Screw
45709	2669	,,	,, ,, Spool Pin
8879	2669	,,	,, ,, ,, Washer (cloth) (packed with
				Attachments)
*171010	—	Bed
*171011	—	,,	171010 with 171017, 171018, 171060, two each 129x, 624al,
			171083, four each 140682e and 171084
<i>NOTE.—Due to the accuracy required for gear alignment, Bed cannot be supplied separately and can only be sent as a unit, Arm and Bed assembled.</i>									
171012	—	Bed Cover	(tubular)
141r	2681	,,	,, (,,)	Screw

PARTS FOR No. 222KI MACHINE

No.	Plate						
171013	—	Bed Cover Plate	(bottom)
171014	2671	"	"	"	(")	171013 with 171015	...
171015	—	"	"	"	(")	Felt	...
51361r	2671	"	"	"	(")	Screw	...
1780r	2671	"	"	"	(")	" Thumb Nut	...
171084	2671	"	Cushion (rubber)	(2)
140682e	2671	"	"	Screw (2)
171016	2671	"	Extension
51380r	2671	"	"	Hinge Screw (2)
45714	2671	"	"	"	"	Friction Washer	...
45798	2671	"	"	"	"	Washer	...
171017	—	"	Leg (back)
171018	—	"	"	(front)
171084	2671	"	"	Cushion (rubber)	(2)
140682e	2671	"	"	"	Screw (2)
129x	2681	"	"	Screw (2)
171083	2681	"	Spacer (2)
51350zb	2670	Clamp Stop Motion Clamp Screw
248za	2670	"	"	"	"	Set Screw	...
45716	2670	"	"	"	"	Washer	...
45717	2670	"	"	"	"	Flanged Bushing	...
45765	—	"	"	"	"	"	45717 with 51350zb
51351al	2670	"	"	"	"	"	Screw
171019	—	Cloth Plate	with 140682e, 171084 and two 458al
171020	2671	"	"	complete, Nos. 171019, 171021 and 171022
171084	2671	"	"	Cushion (rubber)
140682e	2671	"	"	"	Screw
171021	2681	"	"	Guide Pin (short, back)
458al	2681	"	"	"	(" ")	Set Screw	...
171022	2681	"	"	"	(long, front)
458al	2681	"	"	"	(" ")	Set Screw	...
1191zb	2681	"	"	"	(" ")	Thumb Screw	...
171023	2671	"	"	with Bed Extension, complete, Nos. 45714, 45798, 171016, 171020 and two 51380r
45718	—	Face Plate
45719	2669	"	"	45718 with 45842 and 139615
50684zb	2669	"	"	Thumb Screw
45875	2669	"	"	Thread Guard (lower)
45842	—	"	"	"	(")	45875 with 125424	...
125424	2669	"	"	"	(")	Rivet	...

PARTS FOR No. 222K1 MACHINE .

33

No.	Plate							
45874	2669	Face Plate Thread Guard	(upper)
139615	—	" "	" "	(")	45874 with 125424
125424	2669	" "	" "	(")	Rivet
171024	2670	Feed Bar
171025	2670	" "	Adjusting Sleeve
51759e	2670	" "	" "	Lock Nut
171026	2672	" "	and Feed Lifting Rock Shaft Connecting Link
140660c	2672	" "	" "	" "	" "	" "	" "	Hinge Screw Stud
171026	2672	" "	" "	Rock Shaft Connecting Link
140661c	2672	" "	" "	" "	" "	" "	" "	Hinge Screw Stud
171027	2670	" "	Guide Plate
171028	2670	" "	Retainer Plate
171029	2681	" "	" "	Locating Pin
140662c	2681	" "	" "	Set Screw
171030	2670	" "	with Rotating Hook Shaft Bushing, Nos. 51759e, 171024, 171025, 171027, 171028 and 171061
171031	2672	Feed Dog, 12 teeth (14 teeth to the inch) for 171066
208al	2672	" "	Screw
171032	2670	" "	Lifting Forked Connection
171033	—	" "	" "	171032 with 171035
140663c	2670	" "	" "	Hinge Screw (eccentric)
1520e	2670	" "	" "	" "	Nut
171034	—	" "	" "	Slide Block
171035	—	" "	" "	" "	171034 with 171036
171036	—	" "	" "	" "	Stud
171037	2672	" "	Rock Shaft
171038	—	" "	" "	171037 with 140660c and 171026
171039	2672	" "	" "	Centre (left)
624al	2672	" "	" "	" "	(") Set Screw
171039	2672	" "	" "	" "	(right)
624al	2672	" "	" "	" "	(") Set Screw
171044	2670	Feed Regulator
50353e	2670	" "	Hinge Screw
8217	2670	" "	" "	Friction Washer
45732	2670	" "	Reversing Handle
45794	—	" "	" "	45732 with 51622zb
1735e	2670	" "	" "	Lock Nut
171045	2672	" "	Rock Shaft
171046	—	" "	" "	171045 with 140661c and 171026
171039	2672	" "	" "	Centre (left)
624al	2672	" "	" "	" "	(") Set Screw

PARTS FOR No. 222K1 MACHINE

No.	Plate							
171039	2672	Feed Rock Shaft Centre	(right)
624al	2672	"	"	"	"	(")	Set Screw	...
171047	2670	"	"	"	Forked	Connection
171048	—	"	"	"	"	"	171047 with 51942	...
140663c	2670	"	"	"	"	"	Hinge Screw (eccentric)	...
1520e	2670	"	"	"	"	"	"	Nut
51941	—	"	"	"	"	"	Roller	...
51942	2670	"	"	"	"	"	51941 with	...
							140665c	...
140665c	—	"	"	"	"	"	Stud	...
171040	2670	"	Throw-out	Lever
50353e	2670	"	"	"	"	"	Hinge Screw	...
8217	2670	"	"	"	"	"	Friction Washer	...
171041	2670	"	"	"	"	"	Plate	...
219zb	2670	"	"	"	"	"	Screw (2)	...
171042	2670	"	"	"	"	"	Positioning Sleeve	...
140664zb	2670	"	"	"	"	"	Screw	...
171043	2670	"	"	"	"	"	Spring	...
45817	2670	Hand Wheel
171050	2673	Lamp Lead Shield	(Underside of Bed)
171051	2673	"	"	"	(Side of Arm)
206x	2680	"	"	"	(" " ")	Screw
45734	2674	Needle Bar	(hollow)	with 32519
45736	2674	"	"	Bushing (upper)
462al	2674	"	"	"	(")	Set Screw
45818	2674	"	"	Connecting Link
45819	—	"	"	"	45818 with 45739
45739	2674	"	"	"	Stud with 51363e
51363e	2674	"	"	"	Clamping Screw
45740	2670	"	"	Crank with 1036al and 1134al
1134al	2670	"	"	Position Screw
45877	2681	"	"	Clamp Body with 140545zc
45878	2674	"	"	"	45877 with 51308zj
45879	2674	"	"	Gib and Thread Guard
51308zj	2674	"	"	Position Screw
140545zc	2681	"	"	Thumb Screw
32519	2674	"	"	Stop Pin
45741	2674	Presser Bar	(hollow)
171053	2674	"	"	Guide Bracket with 453al
453al	2674	"	"	"	Set Screw
45910	2674	"	"	Lifter
45744	2674	"	"	Hinge Pin
45745	2674	"	"	Spring
45813	—	"	"	"	45745 with 33624

PARTS FOR No. 222K1 MACHINE

35

No.	Plate						
45329	2674	Presser Foot Hinge Pin
*45319	—	„ „ Plate
*45320	—	„ „ Shank
45321	2674	Presser Foot (hinged), complete, Nos. 45319, 45320 and 45329					
140240zb	2674	„ „ Thumb Screw
50054zb	2674	Pressure Regulating Thumb Screw
33624	2674	„ „ „ „ Extension Pin
170135	2670	Rotating Hook with two 462al
45918	—	„ „ 170135 with 45752, 45761, 45831, 200145c, 200596f and 200614c					
45917	—	„ „ 170135 with 45831, 200596f and 200614c (for Agents only)					
45919	2670	„ „ and Bobbin Case complete, Nos. 45751 and 45918					
45785	2681	„ „ Bobbin, Nos. 45787 and two 45786
*45750	—	„ „ „ Case
45751	2670	Rotating Hook Bobbin Case, complete, Nos. 45750, 45789, 200592c, 200964e, 201016f, 206736 and 210736
45752	2670	Rotating Hook Bobbin Case Base
206735	—	„ „ „ „ Latch
206736	2670	„ „ „ „ „ 206735 with 206731 and 206737					
206731	—	„ „ „ „ „ Fulcrum Pin
206737	—	„ „ „ „ „ Lever
210736	2670	„ „ „ „ „ Spring
200964e	2681	„ „ „ „ „ Stop Screw
171054	2672	„ „ „ „ „ Position Plate
171055	—	„ „ „ „ „ „ 171054 with 171056, 171057 and two 51159j					
171056	2672	„ „ „ „ „ Position Plate Spring (back)
171057	2672	„ „ „ „ „ „ „ „ (front)
51159j	2672	„ „ „ „ „ „ „ „ Screw (2)
233zj	2672	„ „ „ „ „ „ „ „ Screw (2)
45789	2670	„ „ „ „ „ Tension Spring
201016f	2670	„ „ „ „ „ „ „ „ Regulating Screw
200592c	2670	„ „ „ „ „ „ „ „ Screw
*45786	—	„ „ „ „ „ Flange (2)
*45787	—	„ „ „ „ „ Hub
171058	2670	„ „ „ „ „ Collar and Counterbalance with 624al
624al	2670	„ „ „ „ „ „ „ „ Set Screw
45831	2670	„ „ „ „ „ Gib
200614c	2670	„ „ „ „ „ „ Hinge Screw
200596f	2670	„ „ „ „ „ „ Screw

No.	Plate								
462al	2670	Rotating	Hook	Set Screw (2)	
171059	2670	"	"	Shaft	
45854	2670	"	"	"	Bevel Gear with two 1259al	
1259al	2670	"	"	"	"	Set Screw (2)	
171060	2670	"	"	"	Bushing (back)	
624al	2670	"	"	"	"	(") Set Screw	
171061	2670	"	"	"	"	(front)	
624al	2670	"	"	"	"	(") Set Screw	
45761	2670	"	"	Loop Guard	
200145c	2670	"	"	"	"	Screw	
45901	—	Set of Mated Gears	(lower shaft),	complete,	Nos. 45852 and	45854			
171062	—	"	"	"	"	(upper shaft), complete,	Nos. 45853 and	171005	
45863	2669	Slack Thread Regulator and Tension Thread Guard						...	
335r	2669	"	"	"	"	"	"	Screw ...	
45826	2669	Spool Holder Spring						...	
45763	2670	Stitch Indicator Plate						...	
51384zb	2670	"	"	"	Screw (2)	
51622zb	2670	"	"	Regulating Thumb Nut	
2102	2669	Tension Disc						...	
45866	2669	"	"	Indicator	
45864	2669	"	"	"	Flange	
45865	2669	"	"	"	Stop Washer	
51681zb	2669	"	"	Regulating Thumb Nut with 45339	
45339	2669	"	"	"	"	Engaging Pin	
45909	2674	"	"	Releasing Lever	
51354c	2681	"	"	"	Hinge Screw	
33660	2674	"	"	"	Spring	
45868	2669	"	"	"	Pin	
45869	2669	"	"	Spring	
140167zj	2669	"	"	Stud	
45870	—	"	"	"	140167zj with 51681zb	
457al	2669	"	"	"	Set Screw	
45871	2669	Tension	(graduated),	complete,	Nos. 45864 to 45866,	45868 to	45870,	45873,	66774 and two 2102
26075	2674	Thread Cutter and Holder						...	
8422	2669	"	Guard	(head of arm, upper)	
45782	2669	"	"	(head of arm, lower)	
45820	2674	"	Take-up Crank	
1036al	2681	"	"	"	Set Screw	
*45821	2674	"	"	Lever	
45822	—	"	"	"	complete, Nos. 45821, 45824 and 45825				
45823	—	"	"	"	45822 with 45771, 45819, 45820, 50057c			and 140465e	

PARTS FOR No. 222K1 MACHINE

37

No.	Plate						
140465e	2676	Thread Take-up Lever Cap Screw
*45824	2674	,, ,, ,, Hinge Stud
*45825	2674	,, ,, ,, Link
50057c	2674	,, ,, ,, ,, Hinge Screw
45771	2674	,, ,, ,, ,, ,, Washer
66774	2669	,, ,, Spring
45873	2669	,, ,, ,, Thread Guard
171063	2681	Three-Pin Terminal Box Cover
158x	2681	,, ,, ,, ,, Screw (2)
171064	—	,, ,, ,, Insulation
171065	2672	Throat Plate
171066	—	,, ,, 171065 with 171055 and two 233zj
51023zj	2672	,, ,, Screw (left) (2)
140666za	2672	,, ,, ,, (right)

SERIES C.A.K. 7 MOTORS

Volts	Cycles	Amperes	Motor Catalogue No.
32	D.C.	1.0	C.A.K. 7-3
50	D.C. & 25 to 75	.7	C.A.K. 7-5
95-100	D.C. & 25 to 75	.4	C.A.K. 7-6
100-110	D.C. & 25 to 75	.4	C.A.K. 7-7
110-120	D.C. & 25 to 75	.4	C.A.K. 7-8
150-165	D.C. & 25 to 75	.35	C.A.K. 7-9
190-210	D.C. & 25 to 75	.25	C.A.K. 7-10
210-230	D.C. & 25 to 75	.25	C.A.K. 7-11
230-250	D.C. & 25 to 75	.25	C.A.K. 7-12
120-130	D.C. & 25 to 75	.35	C.A.K. 7-14
130-145	D.C. & 25 to 75	.35	C.A.K. 7-15
200-220	D.C. & 80 to 100	.25	C.A.K. 7-90

Motor Parts

No.	Plate					
196651	—	Armature, complete, for	C.A.K. 7-3 Motor	
196652	—	" "	" C.A.K. 7-5 Motor	
196653	—	" "	" C.A.K. 7-6 Motor	
196654	—	" "	" C.A.K. 7-7 Motor	
196649	—	" "	" C.A.K. 7-8 Motor	
196655	—	" "	" C.A.K. 7-9 Motor	
196656	—	" "	" C.A.K. 7-10 Motor	
196657	2675	" "	" C.A.K. 7-11 Motor	
196658	—	" "	" C.A.K. 7-12 Motor	
196659	—	" "	" C.A.K. 7-14 Motor	
196660	—	" "	" C.A.K. 7-15 Motor	
196661	—	" "	" C.A.K. 7-90 Motor	
191097	2675	Armature Shaft Thrust Washer	(phenolic)	
191098	2675	" " " "	(phenolic)	
701400	2675	" " " "	(pulley end) (phenolic)	
194144	2675	Belt (moulded)
192457	2675	Brush (carbon, $\frac{7}{32}$ " square)
195435	2675	Brush Cap
194113	2675	" Holder Tube
192458	2675	" Spring
193536	2675	Commutator, complete
193907	2676	" Oil Sling
196332	—	" " " "	(Denmark, Norway and Sweden)
195833	2675	End Cover (commutator end)
196642	2675	" " (pulley end)
140445	2675	" " Fastening Screw (2)
199119	—	Field Coil (left) for 199121
199120	—	" " (right) for 199121
199121	—	" " complete, Nos. 199119 and 199120, for C.A.K. 7-3 Motor
199122	—	" " (left) for 199124
199123	—	" " (right) for 199124
199124	—	" " complete, Nos. 199122 and 199123, for C.A.K. 7-5 Motor
199125	—	" " (left) for 199127
199126	—	" " (right) for 199127
199127	—	" " complete, Nos. 199125 and 199126, for C.A.K. 7-6 Motor

199097	—	Field Coil (left) for 199095
199096	—	„ „ (right) for 199095
199095	—	„ „ complete, Nos. 199096 and 199097, for C.A.K. 7-7				Motor
199100	—	„ „ (left) for 199098
199099	—	„ „ (right) for 199098
199098	—	„ „ complete, Nos. 199099 and 199100, for C.A.K. 7-8				Motor
199138	—	„ „ (left) for 199140
199139	—	„ „ (right) for 199140
199140	—	„ „ complete, Nos. 199138 and 199139, for C.A.K. 7-9				Motor
199103	—	„ „ (left) for 199101
199102	—	„ „ (right) for 199101
199101	—	„ „ complete, Nos. 199102 and 199103, for C.A.K. 7-10				Motor
199106	—	„ „ (left) for 199104
199105	—	„ „ (right) for 199104
199104	2675	„ „ complete, Nos. 199105 and 199106, for C.A.K. 7-11				Motor
199109	—	„ „ (left) for 199107
199108	—	„ „ (right) for 199107
199107	—	„ „ complete, Nos. 199108 and 199109, for C.A.K. 7-12				Motor
199128	—	„ „ (left) for 199130
199129	—	„ „ (right) for 199130
199130	—	„ „ complete, Nos. 199128 and 199129, for C.A.K. 7-14				Motor
199131	—	„ „ (left) for 199133
199132	—	„ „ (right) for 199133
199133	—	„ „ complete, Nos. 199131 and 199132, for C.A.K. 7-15				Motor
199134	—	„ „ (left) for 199136
199135	—	„ „ (right) for 199136
199136	—	„ „ complete, Nos. 199134 and 199135, for C.A.K. 7-90				Motor
820343	2676	„ „ Insulation
196360	2588	„ „ Lead Insulating Sleeve
194717	2675	„ „ „ Strain Relief
196168	2675	„ „ Retainer
197032	2675	„ Core, complete
†991601	2675	„ „ Shield and Nameplate
195913	2675	„ „ „ „ „ Insulation
195436	2675	Motor Pulley
51207r	2675	„ „ Set Screw
51208r	2675	„ „ Screw
8905	2675	„ „ Washer

† When ordering, state motor with which it is to be used.

MOTOR PARTS

41

No.	Plate					
194326	2675	Oil Lubricating Spring (commutator end)
194490	2675	Tube (commutator end)
196643	—	„ „ „ (pulley end)
194494	2675	Wick (commutator end)
196644	—	„ „ „ (pulley end)
*195049	—	Three-Pin Terminal Body (male half)
195048	—	„ „ „ („ „) 195049 with three 195050
*195051	—	„ „ „ („ „) Contact Prong
*195050	—	„ „ „ („ „) „ „ 195051
		with 195052
*195052	—	„ „ „ („ „) „ „ Screw
		Post
198178	2680	„ „ „ („ „ „) Terminal Post Nut
701719	2680	„ „ „ („ „ „) „ „ Washer
199010	2680	Three-Pin Terminal Body (male half), complete, Nos. 195048,
		three each 198178 and 701719
145r	2680	Three-Pin Terminal Body (male half) Screw
196354	2673	„ „ „ Box Cover
196357	—	„ „ „ „ „ 196354 with 196356
196356	2673	„ „ „ „ „ Insulating Lining (leatheroid)
51369r	2680	„ „ „ „ „ Screw (small)
704r	2680	„ „ „ „ „ „ (large)
196363	2673	„ „ „ „ „ Bushing (rubber) for Singerlight
		and Suppressor Leads
196364	2673	„ „ „ „ „ Bushing (rubber) for Motor
		Leads
196358	2588	„ „ „ „ „ Insulation (leatheroid)
190439	2682	Tube filled with Singer Lubricant for Electric Motors
190613	—	„ „ 190439 with 190612
190612	—	„ „ Carton (paper)

Plugs

No.	Plate					
198052	2680	Two-Pin Plug, complete, Nos. SS542, 193403, 193404, two each
		SS541 and 198051, for V.D.E. and Norway
193403	—	Two-Pin Plug Body (upper half)
193404	—	„ „ „ (lower half) with insert
SS542	2680	„ „ „ „ „ Fastening Screw
198051	2680	„ „ „ „ „ Contact Pin
SS541	2680	„ „ „ „ „ „ Screw
97382	2680	Bayonet Plug, complete, Nos. 97383 and 97384, for Great Britain
		and Australia
97383	2680	„ „ „ Plug Body
97384	2680	„ „ „ „ „ Cover

FOOT CONTROLLERS

(Moulded)

NOTE.—These Controllers are fitted with Radio Interference Suppressor which is not included in the number.

No.	Plate	
198995	2582 (Great Britain and Australia)	Controller, complete, for 32 to 55 volts, A.C. or D.C. Motor, Nos. 194321, 194569, 194573, 195092, 899287, two 964317, four each 140099x and 194407
198995	— (Denmark, Norway, Switzerland and V.D.E.)	Controller, complete, for 32 to 55 volts, A.C. or D.C. Motor, Nos. 194321, 194569, 194573, 199014, 899287, two 964317, four each 140099x and 194407
198996	— (Great Britain and Australia)	Controller, complete, for 95 to 145 volts, A.C. or D.C. Motor, Nos. 194321, 194570, 194573, 195092, 199023, two 964317, four each 140099x and 194407
198996	— (Denmark, Norway, Switzerland and V.D.E.)	Controller, complete, for 95 to 145 volts, A.C. or D.C. Motor, Nos. 194321, 194570, 194573, 199014, 199023, two 964317, four each 140099x and 194407
198996	— (Sweden)	Controller, complete, for 95 to 145 volts, A.C. or D.C. Motor, Nos. 194321, 194573, 199003, 199014, 199023, two 964317, four each 140099x and 194407
198997	— (Great Britain and Australia)	Controller, complete, for 150 to 250 volts, A.C. or D.C. Motor, Nos. 194321, 194571, 194573, 195092, 199024, two 964317, four each 140099x and 194407
198997	— (Denmark, Norway, Switzerland and V.D.E.)	Controller, complete, for 150 to 250 volts, A.C. or D.C. Motor, Nos. 194321, 194571, 194573, 199014, 199024, two 964317, four each 140099x and 194407
198997	— (Sweden)	Controller, complete, for 150 to 250 volts, A.C. or D.C. Motor, Nos. 194321, 194573, 198998, 199014, 199024, two 964317, four each 140099x and 194407
194572	2582	Controller Base with two 194419
194569	—	„ „ 194572 with 192211, 194418, 194774, 194775, two each 23258, 140100x, 140103x, 194404, 194514 and 931090
194570	—	Controller Base, 194572 with 192140, 194418, 194774, 194775, two each 23258, 140100x, 140103x, 194404, 194514 and 931090
194571	—	Controller Base 194572 with 192141, 194418, 194774, 194775, two each 23258, 140100x, 140103x, 194404, 194514 and 931090
199003	— (Sweden)	Controller Base 194572 with 194418, 194775, 196258, two each 23258, 140100x, 140103x, 194404, 194514 and 931090 ...
198998	— (Sweden)	Controller Base 194572 with 194418, 194775, 196259, two each 23258, 140100x, 140103x, 194404, 194514 and 931090 ...

FOOT CONTROLLERS

43

No.	Plate						
194407	2582	Controller Base Cushion (rubber)
140099x	2582	" " Screw
194573	2582	" Cover
194321	2582	" Foot Pedal
195096	—	" Lead Cord (long) 8', for 195092
*195094	—	" " " (short) 3' 10", for 195093
195093	—	" " " 3' 10", complete, Nos. 194577, 194604, 195094 and two 195834, for 105092
195092	2582	Controller Lead Cord, complete, from supply socket to three-pin terminal and controller, Nos. 195093, 195096, 198963 and Plug, for 198995 to 198997, for Great Britain and Australia...
199017	—	Controller Lead Cord (long) 8', for 199014
199015	—	" " " (short) 3' 10", for 199016
199016	—	" " " 3' 10", complete, Nos. 194577, 194604, 199015 and two 195834, for 199014
199014	—	Controller Lead Cord, complete, from supply socket to three-pin terminal and controller, Nos. 198999, 199016, 199017 and Plug, for 198995 to 198997, for Denmark, Norway, Sweden, Switzerland and V.D.E.
194577	2676	Controller Lead Cord Insulating Sleeve $2\frac{11}{16}$ " long
*194604	—	" " Insulating Sleeve $3\frac{3}{16}$ " long
195834	2679	" " Terminal Eyelet
199077	—	Controller Radio and Television Interference Suppressor Capacitor (.04 microfarads)
199078	—	Controller Radio and Television Interference Suppressor Capacitor, complete, Nos. 198414 and 199077
199087	—	Controller Radio and Television Interference Suppressor Clamp
198414	2676	Controller Radio and Television Interference Suppressor Terminal Clip
199086	—	Controller Radio and Television Interference Suppressor Capacitor, complete, Nos. 199078 and 199087
192211	—	Controller Resistance Unit, 32 to 55 volts
192140	2582	" " " 95 to 145 volts
192141	—	" " " 150 to 250 volts
196258	—	" " " 192140 with 196255
196259	—	" " " 192141 with 196255
194774	2676	" " " Adjusting Nut
196255	2676	" " " " " (bakelite)
194775	2582	" " " " " Lock Spring
194403	2676	" " " Bell Crank for 194416
194416	2582	" " " " " complete, Nos. 194405 and two 194403
51340c	2582	" " " " " Hinge Screw
1607j	2582	" " " " " Nut
194404	2582	" " " " " Spring
194402	2582	" " " " " Bracket
140100x	2676	" " " " " Screw

FOOT CONTROLLERS

No.	Plate	
194418	—	Controller Resistance Unit Bell Crank Spring Bracket 194402 with 194416, 194773, two each 1607j and 51340c
194514	2676	Controller Resistance Unit Bell Crank Spring Bracket Screw Insulating Disc
194405	2676	Controller Resistance Unit Bell Crank Spring Position Pin
194419	—	Insert Nut (brass)
140103x	2582	Screw
931090	2676	Washer (asbestos)
23258	2676	(steel)
193384	2582	Short Circuiting Contact (2)
51327j	2582	Screw (2)
194773	2582	Yoke
51340c	2582	Hinge Screw
1607j	2582	Nut
*899287	—	Name Plate for 198995
*199023	—	198996
*199024	—	198997
964317	2676	Drive Screw
198970	—	Three-Pin Terminal (female half) Housing (lower) with three 195058
198968	—	(" ") " (") 198970 with three each 140125 and 195057
*195057	—	(" ") Housing (lower) Contact Prong
*195058	—	(" ") " (") Insert ...
140125	2680	(" ") " (") Lead Screw ...
198967	—	(" ") " (upper) ...
198954	2588	(" ") " Protection Sleeve (flat, flexible)
51093x	2582	(" ") " Screw ...
1768x	2582	(" ") " " Nut ...
195059	2582	(" ") " Snap Ring ...
198963	2582	Three-Pin Terminal (female half), complete, Nos. 198967, 198968, two each 1768x, 51093x, 195059 and 198954, for 195092 ...
199002	—	Three-Pin Terminal (female half) Housing (lower) with three 195058
199001	—	(" ") " (") 199002 with three each 140125 and 195057
199000	—	(" ") Housing (upper) ...
198960	2588	(" ") " Protection Sleeve (round, flexible)
198999	—	Three-pin Terminal (female half), complete, Nos. 199000, 199001, two each 1768x, 51093x, 195059 and 198960 for 199014

Singerlight

No.	Plate	
*193254	2679	Singerlight Lamp Contact Lead Terminal for 199006 ...
*193633	2679	" " " " " " 193634 ...
*193278	2679	" " " " " " Plate ...
*193634	—	" " " " " " " 193278 with 193633, for 199009
51203	2679	" " " " " " Screw (brass) ...
*193253	2679	" " " " " Plunger ...
*193251	—	" " " " " Bushing ...
*193252	2679	" " " " " Spring ...
199079	—	" " " " " Lead for 199080 ...
199084	—	" " " " " 199085 ...
196328	2679	" " " " " Slot Cover ...
196355	2679	" " " " " Strain Relief Disc ...
195834	2679	" " " " " Terminal Eyelet ...
50566	2679	" " " " " Screw (brass) for 199081 ...
51290	2679	" " " " " (") " 199137 ...
199080	2679	Singerlight Lead, complete, Nos. 199079 and two 195834, for Great Britain and Australia ...
199085	—	Singerlight Lead, complete, Nos. 199084 and two 195834, for Denmark, Norway, Switzerland and Sweden ...
196326	2679	Singerlight Shade ...
193437	2679	" " " " " Friction Washer ...
196330	2679	" " " " " Insulating Bushing ...
*193267	2679	" " " " " Position Pin ...
*199007	—	" " " " " Socket Body, with 193255 and two 193251 ...
199081	2679	Singerlight Socket, complete, Nos. 196327, 196328, 196355, 199006, 199080, two each 50566 and 51385x, for Great Britain and Australia ...
199137	—	Singerlight Socket, complete, Nos. 196327, 196328, 196355, 199009, 199085, two each 51290 and 51385x, for Denmark, Norway, Switzerland and Sweden ...
*199006	—	Singerlight Switch Mechanism, complete, Nos. 51399, 193254, 193256 to 193258, 194659, 199007, two each 51203, 193252, 193253 and 193267, for 199081 ...
*199009	—	Singerlight Switch Mechanism, complete, Nos. 51399, 193257, 193258, 193634, 193635, 194659, 199007, two each 51203, 193252, 193253 and 193267, for 199137 ...
*193259	2679	Singerlight Toggle Switch Contact ...
*194660	2679	" " " " " Frame ...
51399	2679	" " " " " " Screw (brass) ...
*194599	2679	" " " " " Operating Lever ...
*194661	2679	" " " " " " Hinge Pin ...
194659	—	Singerlight Toggle Switch, complete, Nos. 193259, 193387, 193765, 194599, 194660, 194661 and 194695 ...

SINGERLIGHT

No.	Plate							
196327	2679	Singerlight Toggle Switch Shell
51385x	2679	" " " " Screw
*193258	2679	" " " " Spring Contact (left)
*193257	2679	" " " " " (right)
51203	2679	" " " " " (") Screw
*193256	2679	" " " " " Lead Terminal for						199006
*193633	2679	" " " " " " " "						for 193635
193276	2679	Singerlight Toggle Switch Spring Contact Lead Terminal Plate						for 193635
193635	—	Singerlight Toggle Switch Spring Contact Lead Terminal Plate						193276 with 193633, for 199009
193255	—	Singerlight Toggle Switch Spring Contact Lead Terminal Stud						
*193387	2679	" " " " Toggle Lever
194695	2679	" " " " " Spring
*193765	2679	" " " " " Washer
199082	2679	Singerlight (moulded, less lamp), complete, Nos. 641zj, 193437, 196326, 196330 and 199081
(Great Britain and Australia)								
199082	2679	Singerlight (moulded, less lamp), complete, Nos. 641zj, 193437, 196326, 196330 and 199137
(Denmark, Norway, Switzerland, Sweden and V.D.E.)								
641zj	2679	Singerlight Screw

SINGERLIGHT LAMP

No.	Plate						
194120	2679	Singerlight Lamp

NOTE.—In ordering it is necessary to state the exact voltage required.

Example—194120, 240 Volts.

Bobbin Winder Parts

(The Belt Guard is an Integral Part of the Machine Arm)

No.	Plate							
*45838	—	Frame
45859	2669	,,	45838 with 45860 and 45862
51355zb	2669	,,	Hinge Screw
45775	2669	,,	,,	Friction Washer (under head of screw)
45812	2669	,,	,,	Washer (between frame and belt guard)
*45860	—	Pulley
*45861	—	Spindle
*45862	—	,,	45861 with 45836 and 45837
*45836	—	,,	Bobbin Retaining Ring
*45837	—	,,	,,	Collar
45913	2669	Tension Bracket
45914	2669	Tension Bracket, complete, Nos. 1607r, 45847, 45913, 45916, 51497zb and two 45915
1423zb	2669	Tension Bracket Screw
45915	2669	,,	Disc
51497zb	2669	,,	,,	Screw
1607r	2669	,,	,,	Nut
45916	2669	,,	,,	Washer
45847	2669	,,	,,	Spring

Attachments

ATTACHMENT SET

(Supplied with Machine to Great Britain)

No.	Plate							
121464	2574	Binder
36865	2574	Edge Stitcher
121441	2574	Gathering Foot (double toe)
35931	2574	Hemmer (adjustable)
15 × 1	—	Needles (6)
86642	2574	Ruffler
25537	2574	Screw Driver (machine)
120378	2574	" " (bobbin case)
8879	2574	Spool Pin Washer (cloth)
160810	—	Set of Attachments, complete, Nos, 25537, 35931, 36865, 86642, 120378, 121441, 121464 and six needles

171071	2678	Darning Foot
120855	2678	Hemmer (Foot) $\frac{5}{8}$ " hem
45785	2681	Rotating Hook Bobbin (4)
120861	—	Tin of Oil (3 oz.)

The following may be purchased separately :—

25525	2678	Bias Gauge
25527b	2678	Cloth Guide
50053b	2678	" " and Under Braider Thumb Screw
120914	2678	Feller (Foot)
35932	2678	Quilter
121170	909	Ruffler Shirring Plate
25539	2678	Stiletto
36583	1956	Tucker
121547	909	Under Braider

BRAIDER

No.	Plate							
25510	—	Braider

CORDING FEET

For Stitching on Edge, Cording and Slide Fastener Work.

No.	Plate						
160845	2678	Presser Foot (left toe)
160846	2678	,, ,, (right toe)
121875	—	,, ,,
140347w	2678	,, ,, Adjusting Thumb Screw
121876	—	,, ,, Body
121877	2678	Presser Foot (adjustable for sewing on the right or left side of the needle), complete, Nos. 121875, 121876 and 140347w, for Cording and Slide Fastener Work

IMITATION HEMSTITCHING ATTACHMENT

No.	Plate				
120687	1956	With Yielding Presser Foot

NEEDLE THREADER (UNIVERSAL)

No.	Plate				
121631	2682	Needle Threader Hook
140157j	2682	,, ,, ,, Screw
121632	2682	,, ,, with 140157j and three 121631

DARNING HOOP

No.	Plate				
171072	2677	Darning Hoop Body Ring, complete
171073	2677	,, ,, Clamping Ring
171074	2677	Darning Hoop, complete, Nos. 171072 and 171073

EMBROIDERY HOOPS (Plain)

(Birch)

No.	Plate				
87586	—	Round, 5 $\frac{5}{8}$ " diam. × 7 mm. high
96416	—	,, 7" ,, × 7 mm. ,,
87589	1221	,, 8" ,, × 7 mm. ,,
87593	—	,, 10" ,, × $\frac{7}{16}$ " high
87595	—	,, 12" ,, × $\frac{1}{2}$ " ,,
96422	1221	Oval, 9" × 4 $\frac{1}{2}$ " × 7 mm. ,,
87597	—	,, 12" × 5 $\frac{1}{2}$ " × 7 mm. ,,

EMBROIDERY HOOPS (with Clamp)
(Birch)

No.	Plate	
96417	—	Round, 5 $\frac{3}{8}$ " diam. \times 7 mm. high, with SS528j, NN95j, two 96425 and four 96427
96418	—	" 7" " \times 7 mm. " " SS528j, NN95j, two 96426 and four 96427
96419	—	" 8" " \times 7 mm. " " SS528j, NN95j, two 96426 and four 96427
96420	—	" 10" " \times $\frac{7}{16}$ " " " SS528j, NN95j, two 96426 and four 96427
96421	—	" 12" " \times $\frac{1}{2}$ " " " SS528j, NN95j, two 96844 and four 96845
96423	—	Oval, 9" \times 4 $\frac{1}{2}$ " \times 7 mm. high, with SS528j, NN95j, 96425, 96426 and four 96427
96424	—	" 12" \times 5 $\frac{1}{2}$ " \times 7 mm. " " SS528j, NN95j, 96425, 96426 and four 96427
96425	2399	Clamping Bracket for 96417, 96423 and 96424
96426	2399	" " " 96418 to 96420, 96423 and 96424
96844	2399	" " " 96421
96427	2399	" " Rivet for 96417 to 96420, 96423 and 96424
96845	2399	" " " 96421
SS528j	2399	" " Screw
NN95j	2399	" " " Nut

PORTABLE CARRYING CASE

No.	Plate	
171085	—	Carrying Case

Numerical List of Parts

No.	Plate	
NN95j	2399	Embroidery Hoop Clamping Bracket Screw Nut, for 96417 to 96421, 96423 and 96424
129x	2681	Bed Leg Screw for 171011
141r	2681	Bed Cover (tubular) Screw
145r	2680	Three-Pin Terminal Body (male half) Screw
158x	2681	Three-Pin Terminal Box Cover Screw
206x	2680	Lamp Lead Shield (side of arm) Screw
208al	2672	Feed Dog Screw
219zb	2670	Feed Throw-out Lever Plate Screw
233zj	2672	Rotating Hook Bobbin Case Position Plate Screw for 171066
248za	2670	Clamp Stop Motion Clamp Set Screw
330x	2669	Arm Top Cover Screw
335r	2669	Slack Thread Regulator and Tension Thread Guard Screw
453al	2674	Presser Bar Guide Bracket Set Screw for 171053
457al	2669	Tension Stud Set Screw
458al	2681	Cloth Plate Guide Pin (short, back) Set Screw for 171019
458al	2681	Cloth Plate Guide Pin (long, front) Set Screw for 171019
462al	2674	Needle Bar Bushing (upper) Set Screw
462al	2670	Rotating Hook Set Screw for 170135
SS528j	2399	Embroidery Hoop Clamping Bracket Screw for 96417 to 96421, 96423 and 96424
SS541	2680	Two-Pin Plug Contact Pin Screw for 198052
SS542	2680	Two-Pin Plug Body Fastening Screw for 198052
624al	2672	Feed Rock Shaft Centre (left) Set Screw
624al	2672	Feed Rock Shaft Centre (right) Set Screw
624al	2672	Feed Lifting Rock Shaft Centre (left) Set Screw
624al	2672	Feed Lifting Rock Shaft Centre (right) Set Screw
624al	2670	Rotating Hook Collar and Counterbalance Set Screw for 171058
624al	2670	Rotating Hook Shaft Bushing (front) Set Screw for 171011
624al	2670	Rotating Hook Shaft Bushing (back) Set Screw for 171011
641zj	2679	Singerlight Screw for 199082
704r	2680	Three-Pin Terminal Box Cover Screw (large)
1036al	2681	Thread Take-up Crank Set Screw for 45740

NUMERICAL LIST OF PARTS

No.	Plate	
1134al	2670	Needle Bar Crank Position Screw for 45740
1191zb	2681	Cloth Plate Guide Pin (long, front) Thumb Screw
1259al	2670	Arm Shaft (upright) Bevel Gear (lower) Set Screw for 45852
1259al	2670	Arm Shaft (upright) Bevel Gear (upper) Set Screw for 45853
1259al	2670	Rotating Hook Shaft Bevel Gear Set Screw for 45854
1423zb	2669	Bobbin Winder Tension Bracket Screw ...
1520e	2670	Feed Lifting Forked Connection Hinge Screw Nut
1520e	2670	Feed Rock Shaft Forked Connection Hinge Screw Nut
1607j	2582	Controller Resistance Unit Bell Crank Hinge Screw Nut for 194418
1607j	2582	Controller Resistance Unit Yoke Hinge Screw Nut for 194418
1607r	2669	Bobbin Winder Tension Disc Screw Nut for 45914
1735e	2670	Feed Reversing Handle Lock Nut ...
1768x	2582	Three-Pin Terminal (female half) Housing Screw Nut for 198963 and 198999 ...
1780r	2671	Bed Cover Plate (bottom) Screw Thumb Nut
2102	2669	Tension Disc for 45871
8217	2670	Feed Regulator Hinge Screw Friction Washer
8217	2670	Feed Throw-out Lever Hinge Screw Friction Washer
8422	2669	Thread Guard (head of arm, upper) ...
8879	2669	Arm Top Cover Spool Pin Washer (cloth) (packed with Attachments)
8905	2675	Motor Screw Washer
9046	2670	Arm Dowel Pin
23258	2676	Controller Resistance Unit Screw Washer (steel) for 194569 to 194571, 198998 and 199003
25510	—	Braider
25525	2678	Bias Gauge
25527b	2678	Cloth Guide
25537	2574	Screw Driver (machine) for 160810 ...
25539	2678	Stiletto
26075	2674	Thread Cutter and Holder
32519	2674	Needle Stop Pin for 45734
33624	2674	Pressure Regulating Thumb Screw Extension Pin for 45813
33660	2674	Tension Releasing Lever Spring
35931	2574	Hemmer (adjustable) for 160810

NUMERICAL LIST OF PARTS

55

No.	Plate	
35932	2678	Quilter
36583	1956	Tucker
36865	2574	Edge Stitcher for 160810
*45319	—	Presser Foot Plate for 45321
*45320	—	Presser Foot Shank for 45321
45321	2674	Presser Foot (hinged), complete, Nos. 45319, 45320 and 45329
45329	2674	Presser Foot Hinge Pin for 45321
45339	2669	Tension Regulating Thumb Nut Engaging Pin for 51681zb
45704	2670	Arm Shaft (horizontal) Bushing for 171002
45705	2670	Arm Shaft (upright)
45708	2669	Arm Top Cover for 45795
45709	2669	Arm Top Cover Spool Pin for 45795
45714	2671	Bed Extension Hinge Screw Friction Washer for 171023
45716	2670	Clamp Stop Motion Clamp Washer
45717	2670	Clamp Stop Motion Flanged Bushing for 45765
45718	—	Face Plate for 45719
45719	2669	Face Plate 45718 with 45842 and 139615
45732	2670	Feed Reversing Handle for 45794
45734	2674	Needle Bar (hollow) with 32519
45736	2674	Needle Bar Bushing (upper)
45739	2674	Needle Bar Connecting Stud with 51363e, for 45819
45740	2670	Needle Bar Crank with 1036al and 1134al, for 171004
45741	2674	Presser Bar (hollow)
45744	2674	Presser Bar Lifter Hinge Pin
45745	2674	Presser Bar Spring for 45813
*45750	—	Rotating Hook Bobbin Case for 45751
45751	2670	Rotating Hook Bobbin Case, complete, Nos. 45750, 45789, 200592c, 200964e, 201016f, 206736 and 210736, for 45919
45752	2670	Rotating Hook Bobbin Case Base for 45918
45761	2670	Rotating Hook Loop Guard for 45918
45763	2670	Stitch Indicator Plate
45765	—	Clamp Stop Motion Flanged Bushing 45717 with 51350zb
45771	2674	Thread Take-up Lever Link Hinge Screw Washer for 45823
45775	2669	Bobbin Winder Frame Hinge Screw Friction Washer (under head of screw)
45782	2669	Thread Guard (head of arm, lower)
45785	2681	Rotating Hook Bobbin, Nos. 45787 and two 45786

No.	Plate	
*45786	—	Rotating Hook Bobbin Flange for 45785 ...
*45787	—	Rotating Hook Bobbin Hub for 45785 ...
45789	2670	Rotating Hook Bobbin Case Tension Spring for 45751
45794	—	Feed Reversing Handle 45732 with 51622zb
45795	2669	Arm Top Cover 45708 with 45709 ...
45798	2671	Bed Extension Hinge Screw Washer for 171023
45812	2669	Bobbin Winder Frame Hinge Screw Washer (between frame and belt guard) ...
45813	—	Presser Bar Spring 45745 with 33624 ...
45817	2670	Hand Wheel
45818	2674	Needle Bar Connecting Link for 45819 ...
45819	—	Needle Bar Connecting Link 45818 with 45739, for 45823
45820	2674	Thread Take-up Crank for 45823
*45821	2674	Thread Take-up Lever for 45822
45822	—	Thread Take-up Lever, complete, Nos. 45821, 45824 and 45825, for 45823
45823	—	Thread Take-up Lever 45822 with 45771, 45819, 45820, 50057c and 140465e ...
*45824	2674	Thread Take-up Lever Hinge Stud for 45822
*45825	2674	Thread Take-up Lever Link for 45822 ...
45826	2669	Spool Holder Spring
45831	2670	Rotating Hook Gib for 45917 and 45918 ...
*45836	—	Bobbin Winder Spindle Bobbin Retaining Ring for 45862
*45837	—	Bobbin Winder Spindle Bobbin Retaining Ring Collar for 45862
*45838	—	Bobbin Winder Frame for 45859
45842	—	Face Plate Thread Guard (lower) 45875 with 125424, for 45719
45847	2669	Bobbin Winder Tension Disc Spring for 45914
45852	2670	Arm Shaft (upright) Bevel Gear (lower) with two 1259al, for 45901
45853	2670	Arm Shaft (upright) Bevel Gear (upper) with two 1259al, for 171062
45854	2670	Rotating Hook Shaft Bevel Gear with two 1259al, for 45901
45859	2669	Bobbin Winder Frame 45838 with 45860 and 45862
*45860	—	Bobbin Winder Pulley for 45859
*45861	—	Bobbin Winder Spindle for 45862... ..
*45862	—	Bobbin Winder Spindle 45861 with 45836 and 45837, for 45859
45863	2669	Slack Thread Regulator and Tension Thread Guard

NUMERICAL LIST OF PARTS

57

No.	Plate		
45864	2669	Tension Indicator Flange for 45871	...
45865	2669	Tension Indicator Flange Stop Washer for 45871
45866	2669	Tension Indicator for 45871
45868	2669	Tension Releasing Pin for 45871
45869	2669	Tension Spring for 45871
45870	—	Tension Stud 140167zj with 51681zb, for 45871
45871	2669	Tension (graduated) complete, Nos. 45864 to 45866, 45868 to 45870, 45873, 66774 and two 2102
45873	2669	Thread Take-up Spring Thread Guard for 45871
45874	2669	Face Plate Thread Guard (upper) for 139615	...
45875	2669	Face Plate Thread Guard (lower) for 45842	...
45877	2681	Needle Clamp Body with 140545zc, for 45878	...
45878	2674	Needle Clamp Body 45877 with 51308zj	...
45879	2674	Needle Clamp Gib and Thread Guard	...
45901	—	Set of Mated Gears (lower shaft), complete, Nos. 45852 and 45854
45909	2674	Tension Releasing Lever
45910	2674	Presser Bar Lifter
45913	2669	Bobbin Winder Tension Bracket for 45914	...
45914	2669	Bobbin Winder Tension Bracket, complete, Nos. 1607r, 45847, 45913, 45916, 51497zb and two 45915
45915	2669	Bobbin Winder Tension Disc for 45914	...
45916	2669	Bobbin Winder Tension Disc Screw Washer for 45914
45917	—	Rotating Hook 170135 with 45831, 200596f and 200614c (for agents only)
45918	—	Rotating Hook 170135 with 45752, 45761, 45831, 200145c, 200596f and 200614c, for 45919
45919	2670	Rotating Hook and Bobbin Case, complete, Nos. 45751 and 45918
50053b	2678	Cloth Guide and Under Braider Thumb Screw
50054zb	2674	Pressure Regulating Thumb Screw	...
50057c	2674	Thread Take-up Lever Link Hinge Screw for 45823
50353e	2670	Feed Regulator Hinge Screw
50353e	2670	Feed Throw-out Lever Hinge Screw	...
50566	2679	Singerlight Lead Terminal Screw (brass) for 199081
50684zb	2669	Face Plate Thumb Screw

No.	Plate			
51023za	2672	Throat Plate Screw (left)
51093x	2582	Three-Pin Terminal (female half) Housing Screw for 198963 and 198999
51159j	2672	Rotating Hook Bobbin Case Position Plate Spring Screw for 171055
51203	2679	Singerlight Lamp Contact Lead Terminal Screw (brass) for 199006 and 199009
51203	2679	Singerlight Toggle Switch Spring Contact (right) Screw for 199006 and 199009
51207r	2675	Motor Pulley Set Screw
51208r	2675	Motor Screw
51290	2679	Singerlight Lead Terminal Screw (brass) for 199137
51308zj	2674	Needle Clamp Position Screw for 45878
51327j	2582	Controller Resistance Unit Short Circuiting Contact Screw
51340c	2582	Controller Resistance Unit Bell Crank Hinge Screw for 194418
51340c	2582	Controller Resistance Unit Yoke Hinge Screw for 194418
51350zb	2670	Clamp Stop Motion Clamp Screw for 45765
51351al	2670	Clamp Stop Motion Flanged Bushing Screw
51354c	2681	Tension Releasing Lever Hinge Screw
51355zb	2669	Bobbin Winder Frame Hinge Screw
51361r	2671	Bed Cover Plate (bottom) Screw
51363e	2674	Needle Bar Connecting Stud Clamping Screw for 45739
51369r	2680	Three-Pin Terminal Box Cover Screw (small)
51380r	2671	Bed Extension Hinge Screw for 171023
51384zb	2670	Stitch Indicator Plate Screw
51385x	2679	Singerlight Toggle Switch Shell Screw for 199081 and 199137
51399	2679	Singerlight Toggle Switch Frame Screw (brass) for 199006 and 199009
51472e	2670	Arm Screw
51497zb	2669	Bobbin Winder Tension Disc Screw for 45914
51622zb	2670	Stitch Regulating Thumb Nut for 45794
51681zb	2669	Tension Regulating Thumb Nut with 45339, for 45870
51759e	2670	Feed Bar Adjusting Sleeve Lock Nut for 171030
51941	—	Feed Rock Shaft Forked Connection Roller for 51942
51942	2670	Feed Rock Shaft Forked Connection Roller 51941 with 140665c, for 171048
66774	2669	Thread Take-up Spring for 45871

NUMERICAL LIST OF PARTS

59

No.	Plate	
86642	2574	Ruffler for 160810
87586	—	Embroidery Hoop (round, birch), 5 $\frac{5}{8}$ " diam. × 7 mm. high
87589	1221	Embroidery Hoop (round, birch), 8" diam. × 7 mm. high
87593	—	Embroidery Hoop (round, birch), 10" diam. × $\frac{7}{16}$ " high
87595	—	Embroidery Hoop (round, birch), 12" diam. × $\frac{1}{2}$ " high
87597	—	Embroidery Hoop (oval, birch), 12" × 5 $\frac{1}{2}$ " × 7 mm. high
96416	—	Embroidery Hoop (round, birch), 7" diam. × 7 mm. high
96417	—	Embroidery Hoop (round, birch), 5 $\frac{5}{8}$ " diam. × 7 mm. high with SS528j, NN95j, two 96425 and four 96427
96418	—	Embroidery Hoop (round, birch), 7" diam. × 7 mm. high with SS528j, NN95j, two 96426 and four 96427
96419	—	Embroidery Hoop (round, birch), 8" diam. × 7 mm. high with SS528j, NN95j, two 96426 and four 96427
96420	—	Embroidery Hoop (round, birch), 10" diam. × $\frac{7}{16}$ " high with SS528j, NN95j, two 96426 and four 96427
96421	—	Embroidery Hoop (round, birch), 12" diam. × $\frac{1}{2}$ " high with SS528j, NN95j, two 96844 and four 96845
96422	1221	Embroidery Hoop (oval, birch), 9" × 4 $\frac{1}{2}$ " × 7 mm. high
96423	—	Embroidery Hoop (oval, birch), 9" × 4 $\frac{1}{2}$ " × 7 mm. high with SS528j, NN95j, 96425, 96426 and four 96427
96424	—	Embroidery Hoop (oval, birch), 12" × 5 $\frac{1}{2}$ " × 7 mm. high with SS528j, NN95j, 96425, 96426 and four 96427
96425	2399	Embroidery Hoop Clamping Bracket for 96417, 96423 and 96424
96426	2399	Embroidery Hoop Clamping Bracket for 96418 to 96420, 96423 and 96424
96427	2399	Embroidery Hoop Clamping Bracket Rivet for 96417 to 96420, 96423 and 96424
96844	2399	Embroidery Hoop Clamping Bracket for 96421
96845	2399	Embroidery Hoop Clamping Bracket Rivet for 96421

No.	Plate	
97382	2680	Bayonet Plug, complete, Nos. 97383 and 97384, for Great Britain and Australia ...
97383	2680	Bayonet Plug Body for 97382
97384	2680	Bayonet Plug Cover for 97382
120378	2574	Screw Driver (bobbin case) for 160810 ...
120687	1956	Imitation Hemstitching Attachment with Yielding Presser Plate
120855	2678	Hemmer (foot) flat bottom for $\frac{5}{8}$ " hem ...
120861	—	Tin of Oil (3 oz.)
120914	2678	Feller (foot)
121170	909	Ruffler Shirring Plate
121441	2574	Gathering Foot (double toe) for 160810 ...
121464	2574	Binder for 160810
121547	909	Under Braider
121631	2682	Needle Threader Hook for 121632 ...
121632	2682	Needle Threader (universal), with 140157j and three 121631
121875	—	Presser Foot for 121877
121876	—	Presser Foot Body for 121877
121877	2678	Presser Foot (adjustable for sewing on the right or left side of the needle), complete, Nos. 121875, 121876 and 140347w, for Cording and Slide Fastener Work ...
125424	2669	Face Plate Thread Guard (lower) Rivet for 45842
125424	2669	Face Plate Thread Guard (upper) Rivet for 139615
139615	—	Face Plate Thread Guard (upper) 45874 with 125424, for 45719
140099x	2582	Controller Base Screw for 198995 to 198997
140100x	2676	Controller Resistance Unit Bell Crank Spring Bracket Screw for 194569 to 194571, 198998 and 199003
140103x	2582	Controller Resistance Unit Screw for 194569 to 194571, 198998 and 199003 ...
140125	2680	Three-Pin Terminal (female half) Housing (lower) Lead Screw for 198968 and 199001
140157j	2682	Needle Threader Hook Screw for 121632 ...
140167zj	2669	Tension Stud for 45870
140240zb	2674	Presser Foot Thumb Screw
140347w	2678	Presser Foot Adjusting Thumb Screw for 121877
140445	2675	End Cover Fastening Screw
140465e	2676	Thread Take-up Lever Cap Screw for 45823
140545zc	2681	Needle Clamp Thumb Screw for 45877 ...

NUMERICAL LIST OF PARTS

61

No.	Plate	
140558al	2670	Arm Shaft (horizontal) Bevel Gear Feed Cam and Feed Lifting Eccentric Set Screw for 171005
140558c	2670	Arm Shaft (horizontal) Counterbalance Set Screw for 171006
140660c	2672	Feed Bar and Feed Lifting Rock Shaft Connecting Link Hinge Screw Stud for 171038
140661c	2672	Feed Bar and Feed Rock Shaft Connecting Link Hinge Screw Stud for 171046
140662c	2681	Feed Bar Retainer Plate Set Screw
140663c	2670	Feed Lifting Forked Connection Hinge Screw (eccentric)
140663c	2670	Feed Rock Shaft Forked Connection Hinge Screw (eccentric)
140664zb	2670	Feed Throw-out Lever Screw
140665c	—	Feed Rock Shaft Forked Connection Roller Stud for 51942
140666za	2672	Throat Plate Screw (right)
140682e	2671	Bed Cushion Screw for 171011
140682e	2671	Bed Leg Cushion Screw for 171011
140682e	2671	Cloth Plate Cushion Screw for 171019
160810	—	Set of Attachments, complete, Nos. 25537, 35931, 36865, 86642, 120378, 121441, 121464 and six needles
160845	2678	Presser Foot for Stitching on Edge, Cording and Slide Fastener Work (left toe)
160846	2678	Presser Foot for Stitching on Edge, Cording and Slide Fastener Work (right toe)
170135	2670	Rotating Hook with two 462al, for 45917 and 45918
*171001	—	Arm for 171002
*171002	—	Arm 171001 with 171007, 171008, 171009 and two 45704
<i>NOTE.—Due to the accuracy required for gear alignment, Arm cannot be supplied separately and can only be sent as a unit, Arm and Bed assembled.</i>		
171003	2670	Arm Shaft (horizontal) for 171004
171004	—	Arm Shaft (horizontal) 171003 with 45740
171005	2670	Arm Shaft (horizontal) Bevel Gear, Feed Cam and Feed Lifting Eccentric with 140558al, for 171062
171006	2670	Arm Shaft (horizontal) Counterbalance with 140558c
171007	2670	Arm Shaft (upright) Bushing (lower) for 171002

No.	Plate	
171008	2670	Arm Shaft (upright) Bushing (upper) for 171002
171009	2670	Arm Shaft (upright) Lamp Lead Shield for 171002
*171010	—	Bed for 171011
*171011	—	Bed 171010 with 171017, 171018, 171060, two each 129x, 624al, 171083, and four each 140682e and 171084
<i>NOTE.—Due to the accuracy required for gear alignment, Bed cannot be supplied separately and can only be sent as a unit, Arm and Bed assembled.</i>		
171012	—	Bed Cover (tubular)
171013	—	Bed Cover Plate (bottom) for 171014
171014	2671	Bed Cover Plate (bottom) 171013 with 171015
171015	—	Bed Cover Plate (bottom) Felt for 171014
171016	2671	Bed Extension for 171023
171017	—	Bed Leg (back) for 171011
171018	—	Bed Leg (front) for 171011
171019	—	Cloth Plate with 140682e, 171084 and two 458al, for 171020
171020	2671	Cloth Plate, complete, Nos. 171019, 171021 and 171022, for 171023
171021	2681	Cloth Plate Guide Pin (short, back) for 171020
171022	2681	Cloth Plate Guide Pin (long, front) for 171020
171023	2671	Cloth Plate with Bed Extension, complete, Nos. 45714, 45798, 171016, 171020 and two 51380r
171024	2670	Feed Bar for 171030
171025	2670	Feed Bar Adjusting Sleeve for 171030
171026	2672	Feed Bar and Feed Lifting Rock Shaft Connecting Link for 171038
171026	2672	Feed Bar and Feed Rock Shaft Connecting Link for 171046
171027	2670	Feed Bar Guide Plate for 171030
171028	2670	Feed Bar Retainer Plate for 171030
171029	2681	Feed Bar Retainer Plate Locating Pin
171030	2670	Feed Bar with Rotating Hook Shaft Bushing Nos. 51759e, 171024, 171025, 171027, 171028 and 171061
171031	2672	Feed Dog, 12 teeth (14 teeth to the inch) for 171066
171032	2670	Feed Lifting Forked Connection for 171033
171033	—	Feed Lifting Forked Connection 171032 with 171035
171034	—	Feed Lifting Forked Connection Slide Block for 171035
171035	—	Feed Lifting Forked Connection Slide Block 171034 with 171036, for 171033

NUMERICAL LIST OF PARTS

No.	Plate	
171071	2678	Darning Foot
171072	2677	Darning Hoop Body Ring, complete, for 171074
171073	2677	Darning Hoop Clamping Ring for 171074 ...
171074	2677	Darning Hoop, complete, Nos. 171072 and 171073
171083	2681	Bed Spacer for 171011
171084	2671	Bed Cushion (rubber) for 171011
171084	2671	Bed Leg Cushion (rubber) for 171011
171084	2671	Cloth Plate Cushion for 171019
171085	—	Portable Carrying Case
190439	2682	Tube filled with Singer Lubricant for Electric Motors for 190613
190612	—	Tube Carton (paper) for 190613
190613	—	Tube 190439 with 190612
191097	2675	Armature Shaft Thrust Washer (phenolic) ...
191098	2675	Armature Shaft Thrust Washer (phenolic) ...
192140	2582	Controller Resistance Unit for 95 to 145 volts, for 194570 and 196258
192141	—	Controller Resistance Unit for 150 to 250 volts, for 194571 and 196259
192211	—	Controller Resistance Unit, for 32 to 55 volts, for 194569
192457	2675	Brush (carbon $\frac{7}{32}$ " square)
192458	2675	Brush Spring
*193251	—	Singerlight Lamp Contact Plunger Bushing for 199007
*193252	2679	Singerlight Lamp Contact Plunger Spring for 199006 and 199009
*193253	2679	Singerlight Lamp Contact Plunger for 199006 and 199009
*193254	2679	Singerlight Lamp Contact Lead Terminal for 199006
*193255	—	Singerlight Toggle Switch Spring Contact Lead Terminal Stud for 199007
*193256	2679	Singerlight Toggle Switch Spring Contact Lead Terminal for 199006
*193257	2679	Singerlight Toggle Switch Spring Contact (right) for 199006 and 199009
*193258	2679	Singerlight Toggle Switch Spring Contact (left) for 199006 and 199009
*193259	2679	Singerlight Toggle Switch Contact for 194659
*193267	2679	Singerlight Shade Position Pin for 199006 and 199009
193276	2679	Singerlight Toggle Switch Spring Contact Lead Terminal Plate for 193635

NUMERICAL LIST OF PARTS

65

No.	Plate	
193278	2679	Singerlight Lamp Contact Lead Terminal Plate for 193634
193384	2582	Controller Resistance Unit Short Circuiting Contact
*193387	2679	Singerlight Toggle Switch Toggle Lever for 194659
193403	—	Two-Pin Plug Body (upper half) for 198052
193404	—	Two-Pin Plug Body (lower half) with insert for 198052
193437	2679	Singerlight Shade Friction Washer for 199082
193536	2675	Commutator, complete
*193633	2679	Singerlight Lamp Contact Lead Terminal for 193634
*193633	2679	Singerlight Toggle Switch Spring Contact Lead Terminal for 193635
*193634	—	Singerlight Lamp Contact Lead Terminal Plate 193278 with 193633, for 199009 ...
193635	—	Singerlight Toggle Switch Spring Contact Lead Terminal Plate 193276 with 193633, for 199009
*193765	2679	Singerlight Toggle Switch Toggle Lever Spring Washer for 194659
193907	2676	Commutator Oil Sling
194113	2675	Brush Holder Tube
194120	2679	Singerlight Lamp
<i>NOTE.—In ordering it is necessary to state the exact voltage required.</i>		
194144	2675	Belt (moulded)
194321	2582	Controller Foot Pedal for 198995 to 198997
194326	2675	Oil Lubricating Spring (commutator end) ...
194402	2582	Controller Resistance Unit Belt Crank Spring Bracket for 194418
194403	2676	Controller Resistance Unit Bell Crank for 194416
194404	2582	Controller Resistance Unit Bell Crank Spring for 194569 to 194571, 198998 and 199003
194405	2676	Controller Resistance Unit Bell Crank Spring Position Pin for 194416
194407	2582	Controller Base Cushion (rubber) for 198995 to 198997
194416	2582	Controller Resistance Unit Bell Crank, complete, Nos. 194405 and two 194403, for 194418
194418	—	Controller Resistance Unit Bell Crank Spring Bracket 194402 with 194416, 194773, two each 1607j and 51340c, for 194569 to 194571, 198998 and 199003
194419	—	Controller Resistance Unit Insert Nut (brass) for 194572

No.	Plate	
194490	2675	Oil Lubricating Tube (commutator end) ...
194494	2675	Oil Lubricating Wick (commutator end) ...
194514	2676	Controller Resistance Unit Bell Crank Spring Bracket Screw Insulating Disc for 194569 to 194571, 198998 and 199003 ...
194569	—	Controller Base 194572 with 192211, 194418, 194774, 194775, two each 23258, 140100x, 140103x, 194404, 194514 and 931090, for 198995
194570	—	Controller Base 194572 with 192140, 194418, 194774, 194775, two each 23258, 140100x, 140103x, 194404, 194514 and 931090, for 198996
194571	—	Controller Base 194572 with 192141, 194418, 194774, 194775, two each 23258, 140100x, 140103x, 194404, 194514 and 931090, for 198997
194572	2582	Controller Base with two 194419, for 194569 to 194571, 198998 and 199003 ...
194573	2582	Controller Cover for 198995 to 198997 ...
194577	2676	Controller Lead Cord Insulating Sleeve, $2\frac{1}{8}$ " long, for 195093 and 199016 ...
*194599	2679	Singerlight Toggle Switch Operating Lever for 194659
*194604	—	Controller Lead Insulating Sleeve, $3\frac{3}{16}$ " long, for 195093 and 199016
*194659	—	Singerlight Toggle Switch, complete, Nos. 193259, 193387, 193765, 194599, 194660, 194661 and 194695, for 199006 and 199009
*194660	2679	Singerlight Toggle Switch Frame 194659 ...
*194661	2679	Singerlight Toggle Switch Operating Lever Hinge Pin for 194659
*194695	2679	Singerlight Toggle Switch Toggle Lever Spring for 194659
194717	2675	Field Coil Lead Strain Relief
194773	2582	Controller Resistance Unit Yoke for 194418
194774	2676	Controller Resistance Unit Adjusting Nut for 194569 to 194571
194775	2582	Controller Resistance Unit Adjusting Nut Lock Spring for 194569 to 194571, 198998 and 199003
195048	—	Three-Pin Terminal Body (male half) 195049 with three 195050, for 199010 ...
*195049	—	Three-Pin Terminal Body (male half) for 195048
*195050	—	Three-Pin Terminal Body (male half) Contact Prong 195051 with 195052, for 195048 ...

NUMERICAL LIST OF PARTS

67

No.	Plate	
*195051	—	Three-Pin Terminal Body (male half) Contact Prong for 195050
*195052	—	Three-Pin Terminal Body (male half) Contact Prong Screw Post for 195050
*195057	—	Three-Pin Terminal (female half) Housing (lower) Contact Prong for 198968 and 199001
*195058	—	Three-Pin Terminal (female half) Housing (lower) Insert for 198970 and 199002
195059	2582	Three-Pin Terminal (female half) Housing Snap Ring for 198963 and 198999
195092	2582	Controller Lead Cord, complete, from Supply Socket to Three-Pin Terminal and Controller, Nos. 195093, 195096, 198963, and Plug, for 198995 to 198997, for Great Britain and Australia
195093	—	Controller Lead Cord 3' 10", complete, Nos. 194577, 194604, 195094 and two 195834, for 195092
*195094	—	Controller Lead Cord (short) 3' 10", for 195093
195096	—	Controller Lead Cord (long) 8', for 195092
195435	2675	Brush Cap
195436	2675	Motor Pulley
195833	2675	End Cover (commutator end)
195834	2679	Controller Lead Terminal Eyelet for 195093 and 199016
195834	2679	Singerlight Lead Terminal Eyelet for 199080 and 199085
195913	2675	Field Core Shield and Nameplate Insulation for 991601
196168	2675	Field Coil Retainer
196255	2676	Controller Resistance Unit Adjusting Nut (bakelite) for 196258 and 196259
196258	—	Controller Resistance Unit 192140 with 196255, for 199003
196259	—	Controller Resistance Unit 192141 with 196255, for 198998
196326	2679	Singerlight Shade for 199082
196327	2679	Singerlight Toggle Switch Shell for 199081 and 199137
196328	2679	Singerlight Lead Slot Cover for 199081 and 199137
196330	2679	Singerlight Shade Insulating Bushing for 199082
196332	—	Commutator Oil Sling (Denmark, Norway and Sweden)

No.	Plate	
196354	2673	Three-Pin Terminal Box Cover for 196357 ...
196355	2679	Singerlight Lead Strain Relief Disc for 199081 and 199137
196356	2673	Three-Pin Terminal Box Cover Insulating Lining (leatheroid) for 196357 ...
196357	—	Three-Pin Terminal Box Cover 196354 with 196356
196358	2588	Three-Pin Terminal Box Insulation (leatheroid)
196360	2588	Field Coil Lead Insulating Sleeve ...
196363	2673	Three-Pin Terminal Box Cover Bushing (rubber) for Singerlight and Suppressor Leads
196364	2673	Three-Pin Terminal Box Cover Bushing (rubber) for Motor Leads
196642	2675	End Cover (pulley end)
196643	—	Oil Lubricating Tube (pulley end) ...
196644	—	Oil Lubricating Wick (pulley end) ...
196649	—	Armature for C.A.K. 7-8 Motor
196651	—	Armature for C.A.K. 7-3 Motor
196652	—	Armature for C.A.K. 7-5 Motor
196653	—	Armature for C.A.K. 7-6 Motor
196654	—	Armature for C.A.K. 7-7 Motor
196655	—	Armature for C.A.K. 7-9 Motor
196656	—	Armature for C.A.K. 7-10 Motor
196657	2675	Armature for C.A.K. 7-11 Motor
196658	—	Armature for C.A.K. 7-12 Motor
196659	—	Armature for C.A.K. 7-14 Motor
196660	—	Armature for C.A.K. 7-15 Motor
196661	—	Armature for C.A.K. 7-90 Motor
197032	2675	Field Core, complete
198051	2680	Two-Pin Plug Contact Pin for 198052 ...
198052	2680	Two-Pin Plug, complete, Nos. SS542, 193403, 193404, two each SS541 and 198051, for V.D.E. and Norway
198178	2680	Three-Pin Terminal Body (male half) Ter- minal Post Nut for 199010
198414	2676	Controller Radio and Television Interference Suppressor Terminal Clip for 199078 ...
198954	2588	Three-Pin Terminal (female half) Housing Protection Sleeve (flat, flexible) for 198963
198960	2588	Three-Pin Terminal (female half) Housing Protection Sleeve (round, flexible) for 198999
198963	2582	Three-Pin Terminal (female half), complete, Nos. 198967, 198968, two each 1768x, 51093x, 195059 and 198954, for 195092

NUMERICAL LIST OF PARTS

69

No.	Plate	
198967	—	Three-Pin Terminal (female half) Housing (upper) for 198963
198968	—	Three-Pin Terminal (female half) Housing (lower) 198970 with three each 140125 and 195057, for 198963
198970	—	Three-Pin Terminal (female half) Housing (lower) with three 195058, for 198968
198995	2582 (Great Britain and Australia)	Controller, complete, for 32 to 55 volts, A.C. or D.C. Motor, Nos. 194321, 194569, 194573, 195092, 899287, two 964317, four each 140099x and 194407
198995	— (Denmark, Norway, Switzerland and V.D.E.)	Controller, complete, for 32 to 55 volts, A.C. or D.C. Motor, Nos. 194321, 194569, 194573, 199014, 899287, two 964317, four each 140099x and 194407
198996	— (Great Britain and Australia)	Controller, complete, for 95 to 145 volts, A.C. or D.C. Motor, Nos. 194321, 194570, 194573, 195092, 199023, two 964317, four each 140099x and 194407
198996	— (Denmark, Norway, Switzerland and V.D.E.)	Controller, complete, for 95 to 145 volts, A.C. or D.C. Motor, Nos. 194321, 194570, 194573, 199014, 199023, two 964317, four each 140099x and 194407
198996	— (Sweden)	Controller, complete, for 95 to 145 volts, A.C. or D.C. Motor, Nos. 194321, 194573, 199003, 199014, 199023, two 964317, four each 140099x and 194407
198997	— (Great Britain and Australia)	Controller, complete, for 150 to 250 volts, A.C. or D.C. Motor, Nos. 194321, 194571, 194573, 195092, 199024, two 964317, four each 140099x and 194407
198997	— (Denmark, Norway, Switzerland and V.D.E.)	Controller, complete, for 150 to 250 volts, A.C. or D.C. Motor, Nos. 194321, 194571, 194573, 199014, 199024, two 964317, four each 140099x and 194407
198997	— (Sweden)	Controller, complete, for 150 to 250 volts, A.C. or D.C. Motor, Nos. 194321, 194573, 198998, 199014, 199024, two 964317, four each 140099x and 194407
198998	— (Sweden)	Controller Base 194572 with 194418, 194775, 196259, two each 23258, 140100x, 140103x, 194404, 194514 and 931090, for 198997

No.	Plate	
198999	—	Three-Pin Terminal (female half), complete, Nos. 199000, 199001, two each 1768x, 51093x, 195059 and 198960, for 199014...
199000	—	Three-Pin Terminal (female half) Housing (upper) for 198999
199001	—	Three-Pin Terminal (female half) Housing (lower) 199002 with three each 140125 and 195057, for 198999
199002	—	Three-Pin Terminal (female half) Housing (lower) with three 195058, for 199001 ...
199003 (Sweden)	—	Controller Base 194572 with 194418, 194775, 196258, two each 23258, 140100x, 140103x, 194404, 194514 and 931090, for 198996
*199006	—	Singerlight Switch Mechanism, complete, Nos. 51399, 193254, 193256 to 193258, 194659, 199007, two each 51203, 193252, 193253 and 193267, for 199081 ...
*199007	—	Singerlight Socket Body, with 193255 and two 193251, for 199006 and 199009 ...
*199009	—	Singerlight Switch Mechanism, complete, Nos. 51399, 193257, 193258, 193634, 193635, 194659, 199007, two each 51203, 193252, 193253 and 193267, for 199137...
199010	2680	Three-Pin Terminal Body (male half), complete, Nos. 195048, three each 198178 and 701719
199014	—	Controller Lead Cord, complete, from Supply Socket to Three-Pin Terminal and Controller, Nos. 198999, 199016, 199017 and Plug for 198995 to 198997, for Denmark, Norway, Sweden, Switzerland and V.D.E.
199015	—	Controller Lead Cord (short) 3' 10", for 199016
199016	—	Controller Lead Cord 3' 10", complete, Nos. 194577, 194604, 199015 and two 195834, for 199014
199017	—	Controller Lead Cord (long) 8', for 199014 ...
*199023	—	Name Plate for 198996
*199024	—	Name Plate for 198997
199077	—	Controller Radio and Television Interference Suppressor Capacitor (.04 microfarads), for 199078
199078	—	Controller Radio and Television Interference Suppressor Capacitor, complete, Nos. 198414 and 199077, for 199086 ...

NUMERICAL LIST OF PARTS

71

No.	Plate			
199079	—	Singerlight Lead for 199080
199080	2679	Singerlight Lead, complete, Nos. 199079 and two 195834, for 199081
199081	2679	Singerlight Socket, complete, Nos. 196327, 196328, 196355, 199006, 199080, two each 50566 and 51385x, for 199082
199082	2679	Singerlight (moulded, less lamp), complete, (Great Britain and Australia) Nos. 641zj, 193437, 196326, 196330 and 199081
199082	—	Singerlight (moulded, less lamp), complete, (Denmark, Norway, Switzerland, Sweden and V.D.E.) Nos, 641zj, 193437, 196326, 196330 and 199137
199084	—	Singerlight Lead for 199085
199085	—	Singerlight Lead, complete, Nos. 199084 and two 195834, for 199137
199086	—	Controller Radio and Television Interference Suppressor Capacitor, complete, Nos. 199078 and 199087, for 198995 to 198997
199087	—	Controller Radio and Television Interference Suppressor Clamp for 199086
199095	—	Field Coil, complete, Nos. 199096 and 199097, for C.A.K. 7-7 Motor
199096	—	Field Coil (right) for 199095
199097	—	Field Coil (left) for 199095
199098	—	Field Coil, complete, Nos. 199099 and 199100, for C.A.K. 7-8 Motor
199099	—	Field Coil (right) for 199098
199100	—	Field Coil (left) for 199098
199101	—	Field Coil, complete, Nos. 199102 and 199103, for C.A.K. 7-10 Motor
199102	—	Field Coil (right) for 199101
199103	—	Field Coil (left) for 199101
199104	2675	Field Coil, complete, Nos. 199105 and 199106, for C.A.K. 7-11 Motor
199105	—	Field Coil (right) for 199104
199106	—	Field Coil (left) for 199104
199107	—	Field Coil, complete, Nos. 199108 and 199109, for C.A.K. 7-12 Motor
199108	—	Field Coil (right) for 199107
199109	—	Field Coil (left) for 199107
199119	—	Field Coil (left) for 199121
199120	—	Field Coil (right) for 199121
199121	—	Field Coil, complete, Nos. 199119 and 199120, for C.A.K. 7-3 Motor

No.	Plate				
199122	—	Field Coil (left) for 199124	
199123	—	Field Coil (right) for 199124	
199124	—	Field Coil, complete, Nos. 199122 and 199123, for C.A.K. 7-5 Motor	
199125	—	Field Coil (left) for 199127	
199126	—	Field Coil (right) for 199127	
199127	—	Field Coil, complete, Nos. 199125 and 199126, for C.A.K. 7-6 Motor	
199128	—	Field Coil (left) for 199130	
199129	—	Field Coil (right) for 199130	
199130	—	Field Coil, complete, Nos. 199128 and 199129, for C.A.K. 7-14 Motor	
199131	—	Field Coil (left) for 199133	
199132	—	Field Coil (right) for 199133	
199133	—	Field Coil, complete, Nos. 199131 and 199132, for C.A.K. 7-15 Motor	
199134	—	Field Coil (left) for 199136	
199135	—	Field Coil (right) for 199136	
199136	—	Field Coil, complete, Nos. 199134 and 199135, for C.A.K. 7-90 Motor	
199137	—	Singerlight Socket, complete, Nos. 196327, 196328, 196355, 199009, 199085, two each 51290 and 51385x, for 199082	
199138	—	Field Coil (left) for 199140	
199139	—	Field Coil (right) for 199140	
199140	—	Field Coil, complete, Nos. 199138 and 199139, for C.A.K. 7-9 Motor	
199643	—	Oil Lubricating Tube (pulley end)	
200145c	2670	Rotating Hook Loop Guard Screw for 45918	
200592c	2670	Rotating Hook Bobbin Case Tension Spring Screw for 45751	
200596f	2670	Rotating Hook Gib Screw for 45917 and 45918	
200614c	2670	Rotating Hook Gib Hinge Screw for 45917 and 45918	
200964e	2681	Rotating Hook Bobbin Case Latch Stop Screw for 45751	
201016f	2670	Rotating Hook Bobbin Case Tension Spring Regulating Screw for 45751	
206731	—	Rotating Hook Bobbin Case Latch Fulcrum Pin for 206736	
206735	—	Rotating Hook Bobbin Case Latch for 206736	
206736	2670	Rotating Hook Bobbin Case Latch 206735 with 206731 and 206737, for 45751	
206737	—	Rotating Hook Bobbin Case Latch Lever for 206736	

NUMERICAL LIST OF PARTS

73

No.	Plate	
210736	2670	Rotating Hook Bobbin Case Latch Spring for 45751
701400	2675	Armature Shaft Thrust Washer (pulley end, phenolic)
701719	2680	Three-Pin Terminal Body (male half) Ter- minal Post Washer for 199010 ...
820343	2676	Field Coil Insulation
*899287	—	Name Plate for 198995
931090	2676	Controller Resistance Unit Screw Washer (asbestos) for 194569 to 194571, 198998 and 199003
964317	2676	Name Plate Drive Screw for 198995 to 198997
†991601	2675	Field Core Shield and Name Plate ...

† When ordering state motor with which it is to be used.

www.Singer-Featherweight.com



www.Singer-Heights.com