

# QUICKSHOT LAUNCH™

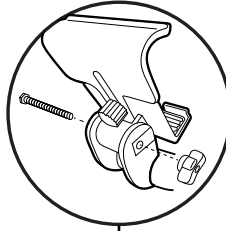
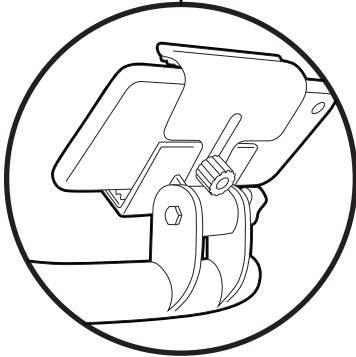
## QUICK START GUIDE

Mount cell phone in top cradle by tightening the back knob.

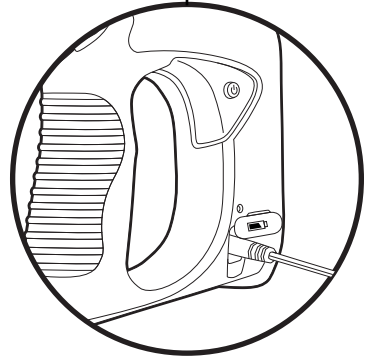
Use side wingnut to adjust viewing angle.

Insert power adapter into base and plug into a power source to charge

**Note:** You may also use your Quickshot Launch while it is plugged in for charging



Install top cell phone cradle with supplied bolt and wingnut

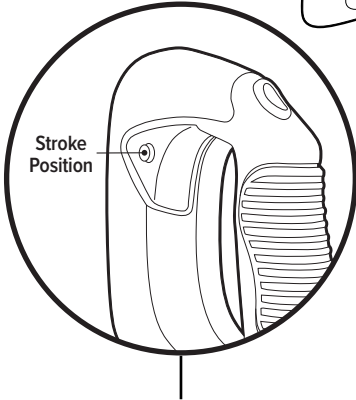
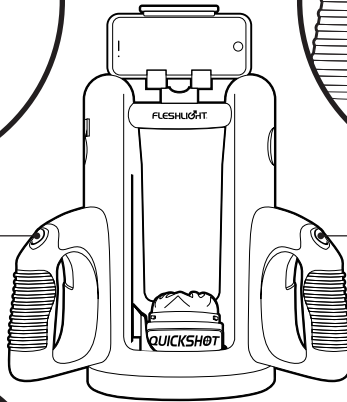


### Stroke Length button

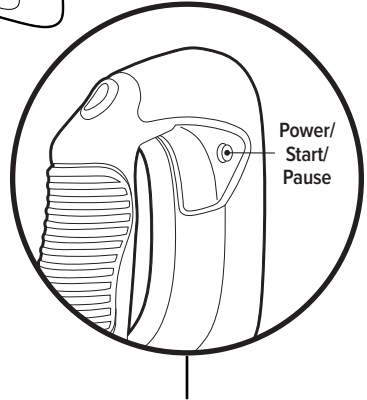
Press rocker button to increase or decrease stroke length

### Stroke Speed button

Press rocker button to increase or decrease stroke speed



Stroke Position



Power/  
Start/  
Pause

### Stroke Position button

Press button on side of left grip to adjust position of stroke - base, shaft, or tip

**Note:** If you've set stroke length to the max setting, the stroke position will not change

### Power/Start/Pause button

**Power ON** - Press and hold until device becomes active (about 3 sec.)

**Start/Pause** - Once device is active (lights begin flashing), press once to start. Press again at any time during use to pause movement.

**Power OFF** - Press and hold button to turn off Quickshot Launch (about 4 sec.)