

POOL BARON

Nicheless Color Changing LED Pool Light

SPECIFICATIONS:

An RGB color changing pool light featuring 16 pre-programmed color modes, including white. Featuring the latest and brightest mid-power LED chips, the POOL BARON NICHELESS LIGHT will bring the party to your

APPLICATIONS:

Underwater Lighting such as pool, waterfall, fountain, pond, etc. Suitable for Vinyl Liner, Fiberglass, concrete or gunite pools 15,000+ gallon freshwater or chlorinated fresh water.

TECHNICAL SPECIFICATIONS:

Wattage (Maximum): 35W

Input Voltage: 12VAC

Dimensions: 11.8" OD x 1.6" Depth

Cord Length: 30 - 150 Feet

Material: SS with Chrome finish. SS mounting bracket and neoprene ring.

COLOR MODE PROGRAMS

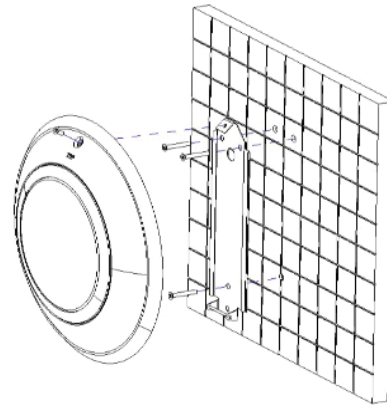
1. Evening Sea: Slow animation blue/red
2. Evening Rivers: Slow animation green/red
3. Riviera: Slow animation blue/green
4. White: Neutral White
5. Rainbow: Slow animation green/blue/green+blue/red+blue/ green+blue/RGB/red
6. River of Colors: Slow animation red/green/blue/green+blue/red+blue/green+blue/RGB, followed by Program 8
7. Disco Baby: Rapid animation (fast-slow), followed by Program 5
8. Four Seasons: Slow animation in red+green/green/green+blue/blue/violet/red
9. Party: Fast animation (fast-slow), followed by Program 6
10. White: Warm White
11. Red Only
12. Green Only
13. Blue Only
14. Gold Only
15. Cyan Only
16. Violet Only



INSTALLATION INSTRUCTIONS

Minimum Qualifications for those attempting an install:

- Licensed or certified Electrician
- Electrician or qualified pool professional
- Qualified pool service professional



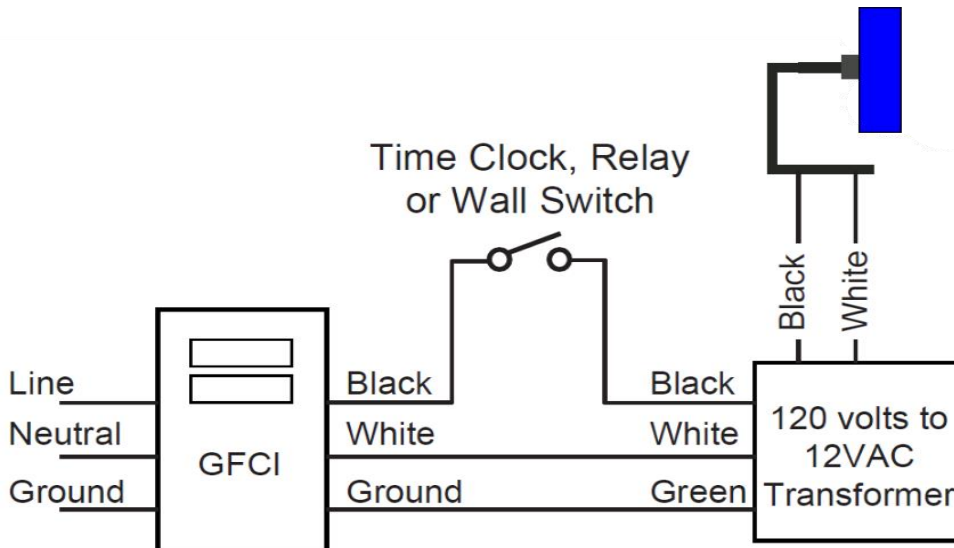
To Reduce the Risk of Electrical Shock:

- Disconnect main power to pool equipment area prior to any service or repairs.
- Keep all electrical equipment at least 10 feet from water edge.
- Connect equipment only to a circuit protected by a ground fault circuit interrupter (GFCI)
- Use only copper conductors and supply wires suitable for this device.
- Do not bury cord(s). Position cord(s) to minimize abuse from maintenance and gardening equipment.

Required for Installation:

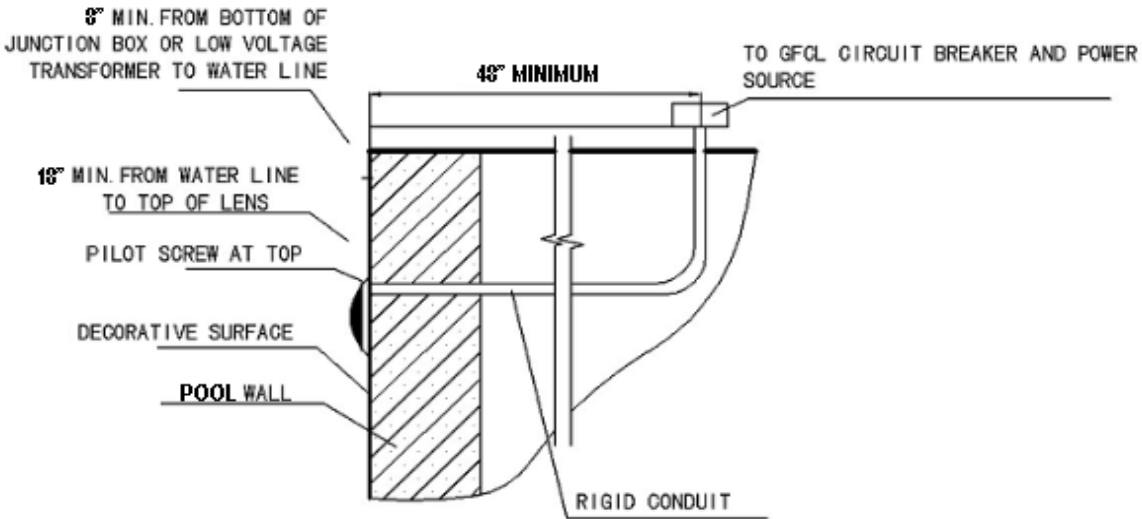
- POOL BARON Nicheless Color Changing LED pool light includes mounting bracket. Use a mounting plate and hub kit (such as Pentair 78887700) when installing in vinyl or vinyl-lined pools.
- 3/4" or 1" Rigid PVC Conduit and Mounting Hub
- 12VAC Transformer
- Wall Toggle Switch

FOR 12VAC LUMINAIRES: ALWAYS USE A SEPARATE SAFETY ISOLATION TRANSFORMER TO POWER LUMINAIRES.

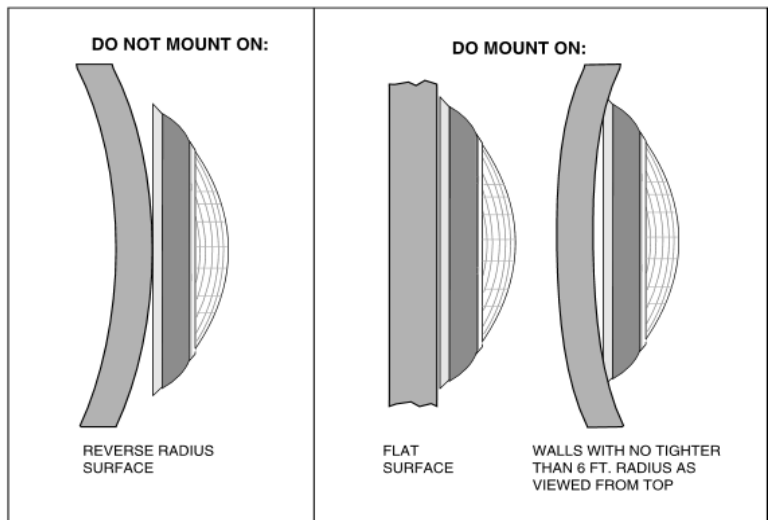
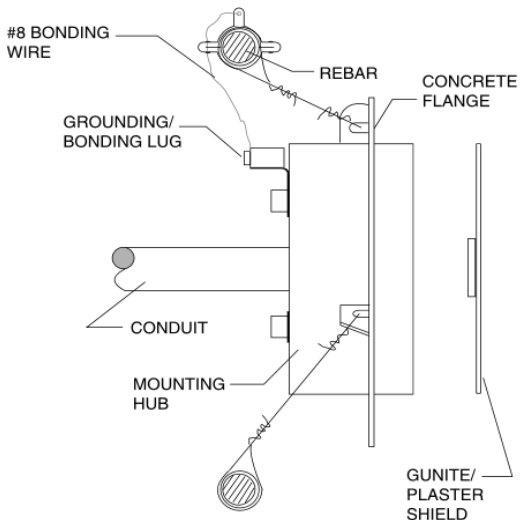


1. Be sure the electrical system of the pool conforms with the current National Electrical Code (NEC) and all local codes and ordinances. A licensed or certified electrician must install the electrical system. The lighting circuit must have a GFCI and an appropriately rated circuit breaker. The junction box, or the low voltage transformer, must be located at least 12" above water level and at least 48" from the edge of the pool.

2. The light fixture and all metal items within five feet of the pool must be electrically bonded. The mounting bracket should be properly installed such that the top edge of the POOL BARON light is at least 18" below the water surface. The top of the lens corresponds to the center of the plastic mounting hub.



3. The mounting bracket must be properly electrically bonded and grounded via the no. 8 AWG ground connector located at the upper left corner of the mounting bracket.



3. Locate position on a vertical wall where the light is to be installed. The top of the light lens must be 18" below normal water level as required by NEC Article 680. Cut or punch a 3" hole through pool wall with center 18" below normal water level for mounting hub and bracket installation.



Florida Sunseeker

4. Connect conduit to PVC mounting hub. Connect bonding wire from bonding grid to bonding lug on rear of mounting hub assembly. If installing in a concrete in-ground pool (new construction), secure PVC mounting hub to rebar with tie wires.

5. Support end of conduit to hold Mounting Hub proper distance in front of rebar so gunite/plaster shield is flush with desired finished surface. If the pool is to be plastered, you must allow proper concrete cutback for plaster thickness. Finished concrete surface must be flush with concrete flange on mounting hub.

6. After pool surface is finished, remove gunite/plaster shield. Snap PVC hub spacer spacer onto PVC mounting hub.

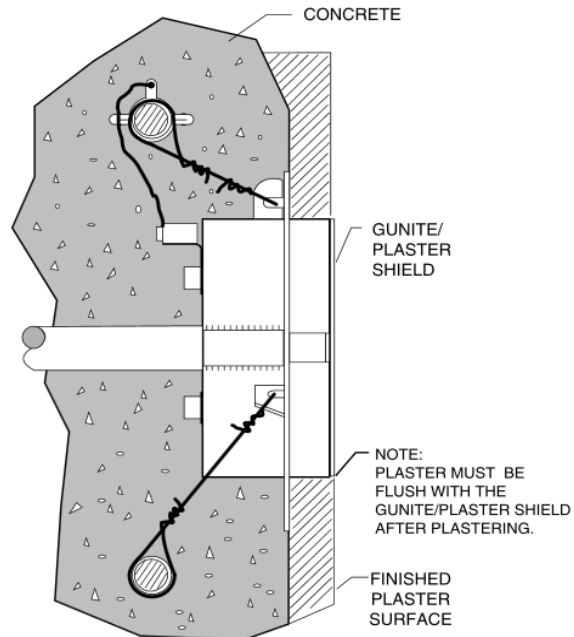
7. Remove mounting bracket from back of the lamp. Position mounting bracket over the desired location such that the cable hole is over the conduit hole. Mark the holes, drill the screw taps, and fasten the bracket on the pool wall using stainless steel screws.

8. Wrap a length of the cord up to a maximum of 8 feet long on the back of the light. Wind a maximum of 3 wraps of cord so that the last wrap stops at the top of the light. Leave 2-3" of slack cord at the top so that the light may be tipped back for removal.

9. Feed the remaining cord through the conduit hole in the mounting hub. Place light clip over pin on the bottom of the light mounting bracket and press lightly to secure into place. Secure at top with captive screw.

10. Connect cord to electrical wires at the junction box. Be careful not to pull the 3" of slack cord at the back of the light through the conduit when connecting the wires. Connect the wires to the corresponding transformer wires (black to power, white to common) and secure the junction box cover in place.

11. Before operating the light for more than 10 seconds, fill pool until the light is completely submerged in water. To check for proper operation, turn on the main switch or circuit breaker, as well as the switch which operates the POOL BARON lights.



START UP INSTRUCTIONS:

- Lamp should only be operated underwater while secured to the vertical walls of the pool. **DO NOT INSTALL FACING TOWARD SKY. Never switch on the lamp if it is not underwater.**
- 16 pre-programmed modes and combinations may be selected using the on/off toggle switch of your pool lights.



Florida Sunseeker

- To advance between modes, toggle switch off/on within 2 seconds.
- If the light is powered off for more than 20 seconds, it will memorize the last program it was on when turned on again.
- Lights on the same circuit will be synchronized. To achieve synchronization, first confirm all lamps are installed correctly on the same switch. After they are powered off for more than 20 seconds, switch on and off continuously 3 times, then turn them on again. All lights should be synchronized and back at Program 1. Then select the desired program by switching of and on again within 8 seconds and follow above steps.

MAINTENANCE AND REPLACEMENT

The POOL BARON light is not serviceable and therefore there is no maintenance required. It is designed to be used only once. If the fixture becomes defective, it will need to be replaced. To replace, unfasten the lamp from the base. Ensure the new lamp is the same model and characteristics as the one being replaced.

WARNINGS

- The transformer output must be a **12VAC toroidal transformer specifically listed for swimming pool use. Do NOT use an electronic transformer.** Please follow NEC 680.23(A)(2).
- This Nicheless light fixture must be installed by a licensed or certified electrician or a qualified pool service
- Avoid making contact with the electric voltage.
- Comply with current standards regarding accident prevention and safety.
- IEC-364-7-702 standards must be observed: WIRING IN BUILDINGS, SPECIAL WIRING, SWIMMING
- Replacement must be performed only after the lamp is disconnected from the electric power system.
- Do not handle any electrical components with wet feet.
- POOL BARON Lights are NON-DIMMABLE. Do not install with a dimmer.

WARRANTY

This POOL BARON light comes with a 2 year limited warranty. We warranty all of our lights against manufacture defects only, from the date of purchase through the earlier of: (i) two (2) years from date of purchase; or (ii) the date the light is sold or transferred by you, the original purchaser, to a third party (the "Warranty Period").

In the case of manufacturer defect, within sixty (60) days of purchase, with proof of purchase, you may return any light for a credit or exchange for a replacement item of equal or lesser value.